

## Hi Efficiency Heat Pump PTAC



7,000 BTU - 15,000 BTU Heat Pump with Efficiencies up to 13.1 EER



## Features

- User Friendly Unit Mounted Control Panel
- Quiet Operation
- High Efficiency
- Outside Air Ventilation Control
- Three Speed Fan
- Automatic Defrost
- Wired and Wireless Wall Thermostat Options
- Compressor and Evaporator Freeze Protection
- Rapid Heat Mode
- Memory Restart after Power Outage
- Front Desk Control
- Pre-Coated Fins on Evaporator and Condenser Coils

## Applications

- Apartments
- Hotels and Motels
- Assisted Living
- Schools
- Commercial Buildings
- Room Additions

## Quality Guarantee

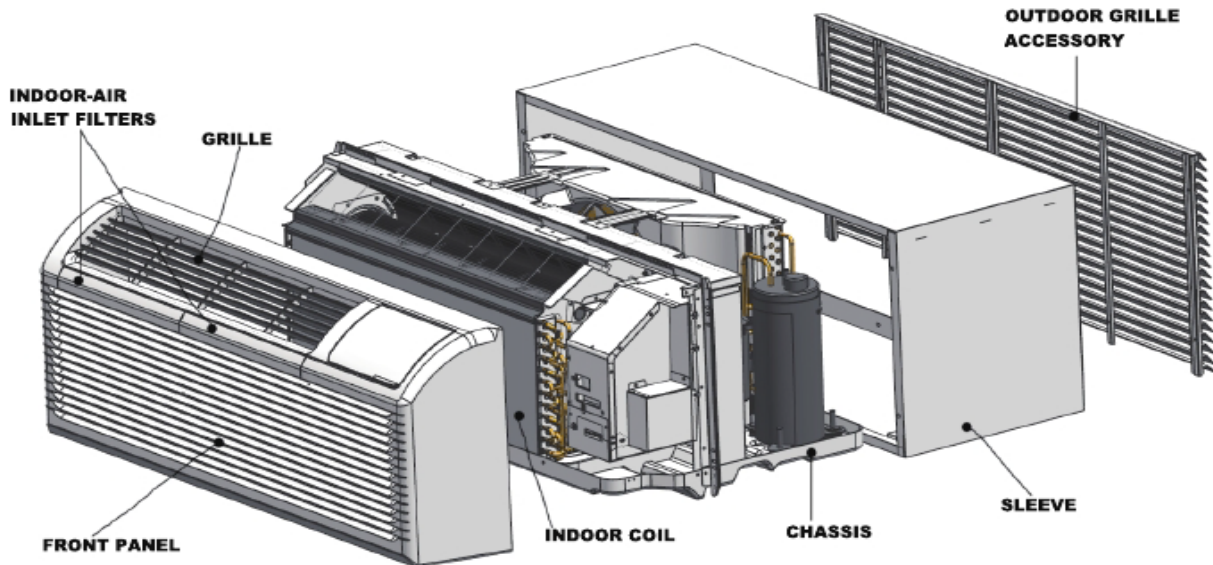
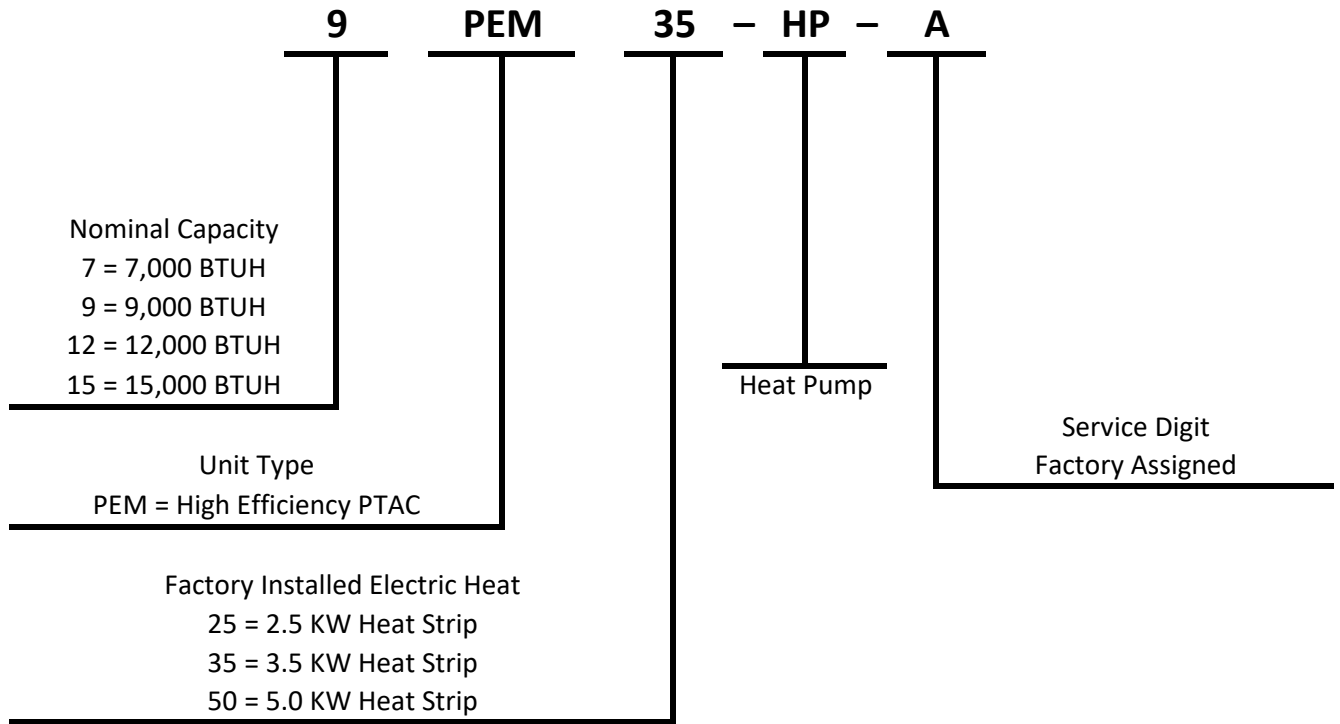
- First Year Coverage on entire unit
- 5 Year Coverage on functional parts
- 5 Year Coverage on Sealed System





# Nomenclature

## Indoor Unit



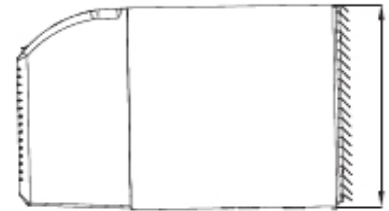
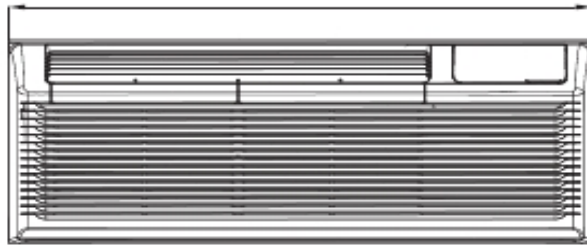
# PEM

## Dimensions



D

W



H

Model Number	Description	W	H	D
7PEM25-HP-A	7,000 BTU Heat Pump with 2.5 KW Heat Strip 208/230/1	42	16	21
7PEM35-HP-A	7,000 BTU Heat Pump with 3.5 KW Heat Strip 208/230/1	42	16	21
9PEM35-HP-A	9,000 BTU Heat Pump with 3.5 KW Heat Strip 208/230/1	42	16	21
9PEM50-HP-A	9,000 BTU Heat Pump with 5.0 KW Heat Strip 208/230/1	42	16	21
12PEM35-HP-A	12,000 BTU Heat Pump with 3.5 KW Heat Strip 208/230/1	42	16	21
12PEM50-HP-A	12,000 BTU Heat Pump with 5.0 KW Heat Strip 208/230/1	42	16	21
15PEM35-HP-A	15,000 BTU Heat Pump with 3.5 KW Heat Strip 208/230/1	42	16	21
15PEM50-HP-A	15,000 BTU Heat Pump with 5.0 KW Heat Strip 208/230/1	42	16	21

Model Number	Net Weight
07PEM25-HP-A	104
07PEM35-HP-A	104
09PEM35-HP-A	108
09PEM50-HP-A	108
12PEM35-HP-A	116
12PEM50-HP-A	116
15PEM35-HP-A	116
15PEM50-HP-A	116



# PEM

## Electrical and Performance

Model Number	Cooling Capacity	Cooling Amps	Heating Capacity	Heating Amps	EER	Voltage
7PEM25-HP-A	7,200 / 7,000	2.42 / 2.60	6,200 / 6,000	2.22 / 2.38	13.1	208/230/1
7PEM35-HP-A	7,200 / 7,000	2.42 / 2.60	6,200 / 6,000	2.22 / 2.38	13.1	208/230/1
9PEM35-HP-A	8,800 / 8,500	2.99 / 3.23	7,800 / 7,500	2.64 / 2.82	12.8	208/230/1
9PEM50-HP-A	8,800 / 8,500	2.99 / 3.23	7,800 / 7,500	2.64 / 2.82	12.8	208/230/1
12PEM35-HP-A	12,000 / 11,800	4.50 / 4.89	10,800 / 10,500	4.05 / 4.36	11.6	208/230/1
12PEM50-HP-A	12,000 / 11,800	4.50 / 4.89	10,800 / 10,500	4.05 / 4.36	11.6	208/230/1
15PEM35-HP-A	14,700 / 14,500	6.03 / 6.58	13,500 / 13,200	5.38 / 5.82	10.6	208/230/1
15PEM50-HP-A	14,700 / 14,500	6.03 / 6.58	13,500 / 13,200	5.38 / 5.82	10.6	208/230/1

Heating Amps refer to the compressor only. Please refer to the electric heat data below.

Voltage	Electric Heater Size (kW)	Nominal Heating (BTUH)		Total Watts	Total Amps
		230V	208V		
230/208	2.5 / 2.1	7,800	6,300	2,535 / 2,080	10.8 / 9.8
230/208	3.5 / 3.0	10,900	8,900	3,500 / 2,897	15.0 / 13.7
230/208	5.0 / 4.1	17,000	13,970	5,020 / 4,140	22.0 / 20.0

Voltage	Electric Heater Size (kW)	Min Cir Ampacity	MOP	Power Cord
230/208	2.5 / 2.1	13.8	15	6-15P
230/208	3.5 / 3.0	19.2	20	6-20P
230/208	5.0 / 4.1	27.7	30	6-30P

Model Number	Airflow (H/M/L)	Indoor Sound Pressure (H/M/L)	Outdoor Sound Pressure (High)	Moisture Removal (Pints/hr)
7PEM25-HP-A	355 / 282 / 240	51.0/49.2/49.2	67.0	0.70
7PEM35-HP-A	355 / 282 / 240	51.0/49.2/49.2	67.0	0.70
9PEM35-HP-A	386 / 356 / 321	52.5/52.0/51.5	67.5	1.06
9PEM50-HP-A	386 / 356 / 321	52.5/52.0/51.5	67.5	1.06
12PEM35-HP-A	398 / 362 / 319	51.4/51.0/51.0	67.6	2.81
12PEM50-HP-A	398 / 362 / 319	51.4/51.0/51.0	67.6	2.81
15PEM35-HP-A	374 / 345 / 312	53.0/52.5/52.0	67.0	4.29
15PEM50-HP-A	374 / 345 / 312	53.0/52.5/52.0	67.0	4.29

# PEM

## Accessories

Model Number	Power Cord Type	Plug Type
7PEM25-HP-A	14# x 3	6-15P
7PEM35-HP-A	12# x 3	6-20P
9PEM35-HP-A	12# x 3	6-20P
9PEM50-HP-A	10# x 3	6-30P
12PEM35-HP-A	12# x 3	6-20P
12PEM50-HP-A	10# x 3	6-30P
15PEM35-HP-A	12# x 3	6-20P
15PEM50-HP-A	10# x 3	6-30P



Power Cord and Plug

All PTAC's include a Power Cord and Plug

Item	Description	Photo
MMT4522-001	Standard Programmable 24V Thermostat	
MMT8532-002	Programmable 24V Thermostat with Remote Sensor Inputs	
MMT8532OCC	Programmable 24V Thermostat with Built-In Occupancy Sensor	
FWS-PM-A	Insulated Folded Wall Sleeve with Drain Kit	
SAG-PM-A	Stamped Aluminum Grille	
EAL-PM-A	Extruded Aluminum Architectural Grille (Grey)	
PEM-DK1	Drain Kit for PEM Series Units	





**2480 Grand Avenue**

**Vista, CA 92081**

**Phone (760) 670-3005**

**Fax (760) 670-3307**

**[www.multimfg-usa.com](http://www.multimfg-usa.com)**