



Single Package Vertical Heat Pump

Variable Capacity



High Efficient Single Package Vertical Unit, with Inverter Technology

3/4 Ton - 3 Ton, with Efficiencies up to 18.00 SEER and 11.8 EER



The SPV is a highly efficient Single Package Vertical unit that is designed as a better alternative for New Construction and Retrofit projects. With a compact design, the SPV can be installed in smaller areas, freeing up valuable floor space.



Typical installations for the SPV include:

- High Rise Apartments
- High Rise Condominiums
- Hotels
- Motels
- Independent Care Facilities
- Pre Manufactured Homes
- Modular Buildings
- Student Housing



Features

Highly Efficient / High Performance

- High Efficient Inverter Compressor, with Efficiencies up to 11.8 EER
- Dynamic DC Blower Motor, with Available ESP up to 0.50" WC
- DC Condenser Motor, with Low Amp Draw

Variable Capacity Performance

- Variable Capacity Design, allowing engineers to effectively design for heat loss.

Heating at Low Ambient Conditions

- Heat Pump Operation to -4° F
- Heat Strip Options Available for Colder Climates
- COP up to 3.8 @ 47° F

Easily Installed and Serviced

- Unit Slides into a Wall Sleeve that is installed on Rough-In
- Unit can be removed easily for service, by sliding it out of the Wall Sleeve
- Service Compartment is Accessible from the Inside-Front of the Unit

Fresh Air

- Fan-Assisted Fresh Air Package is available.

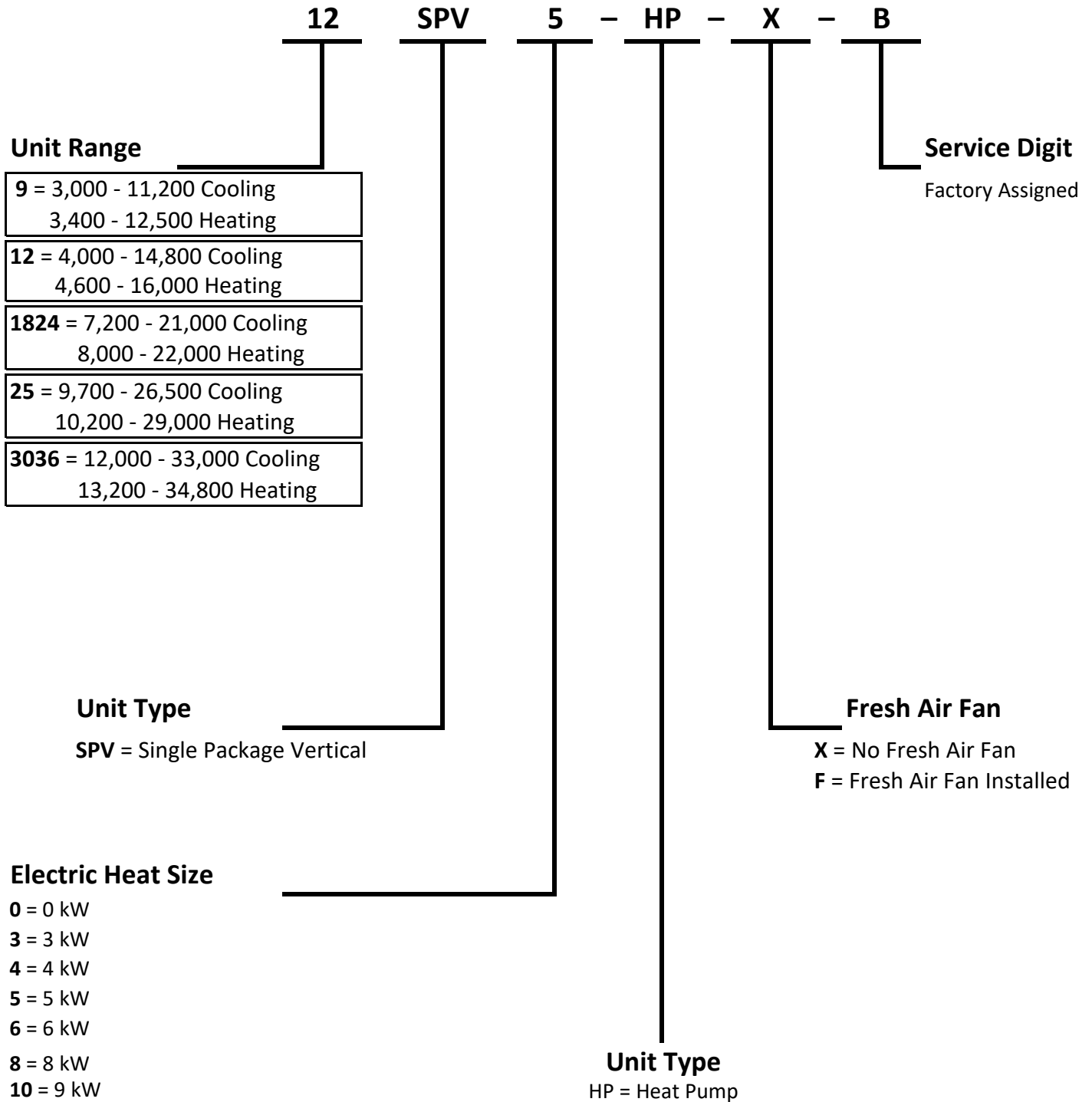
Standard Innovative Design

- Refrigerant Service Ports
- Low Pressure Safety
- Corrosion Resistant Evaporator and Condenser Coils
- Foil-Face Rubber Insulation Lining in cabinet
- Gasketed Doors and Panels, to Comply with 2% Low Leak Requirements
- Compressor Blanket and Sound Attenuating Insulation in Compressor Compartment



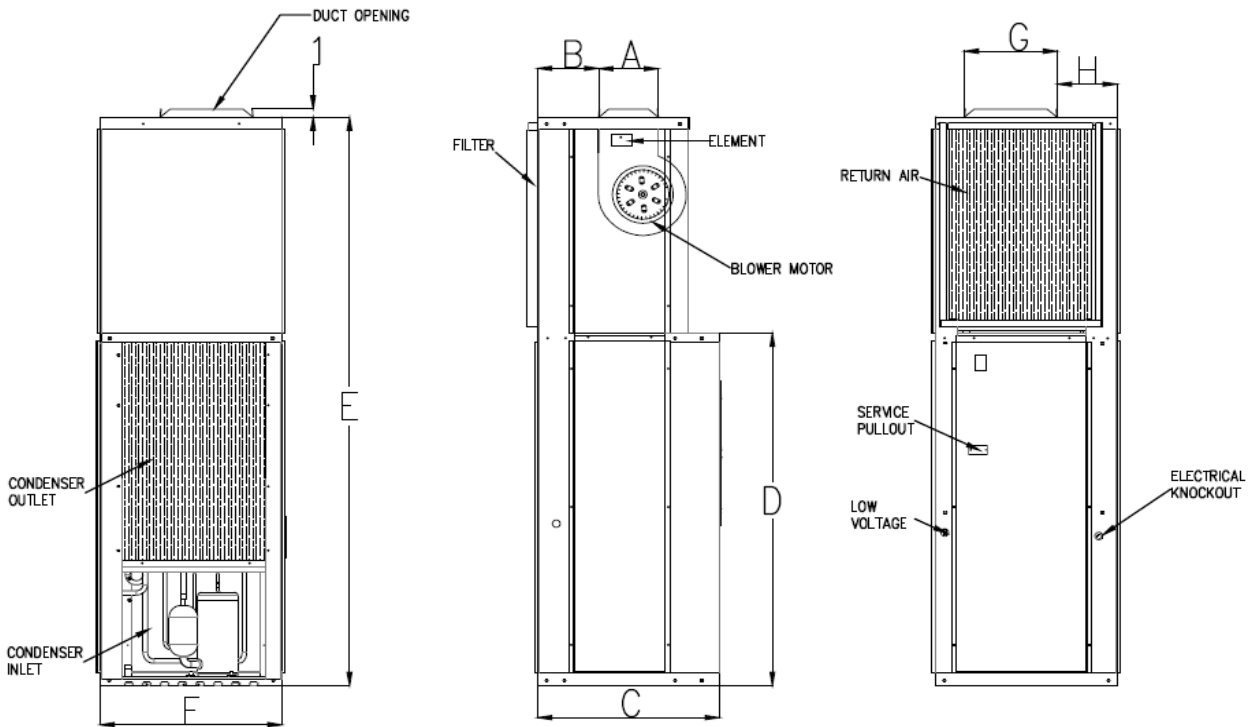
Nomenclature

Inverter Single Package Vertical Heat Pump Units



SPV-HP

3/4 ton - 2 ton Heat Pump

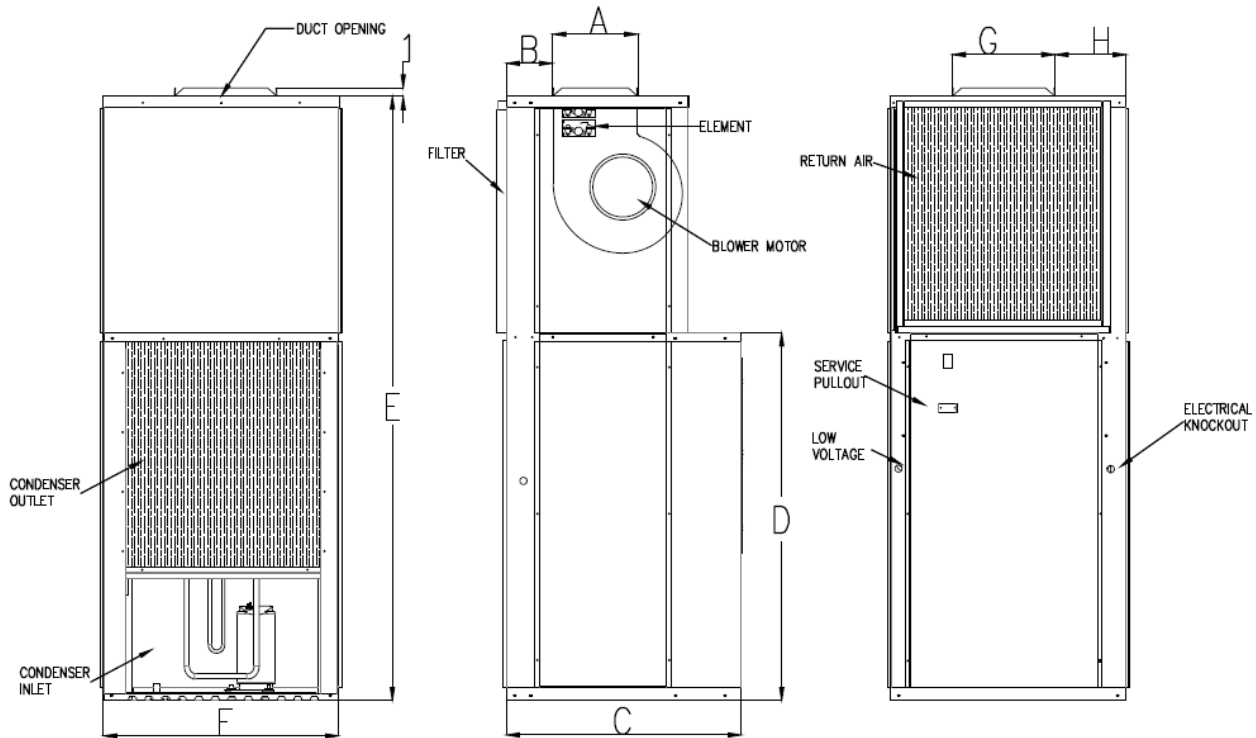


Unit	A	B	C	D	E	F	G	H	Filter	Unit Wt.
9SPV, 12SPV	6.50	6.75	20	41.4	66.5	20	10.3	6.63	18 x 24 x 1	173
1824SPV	6.50	5.13	20	41.4	66.5	20	10.3	6.63	18 x 24 x 1	179

Model	Heat Strip Size	Electric Heat Data						Blower Data		Condenser Data			Minimum Circuit Ampacity		Maximum Circuit Protection	
		kW		BTUH		Total Heating Amps		Evaporator Motor		Inverter Compressor	Condenser Motor		208V	240V	208V	240V
		240V	208V	240V	208V	240V	208V	Amps	HP	RLA	FLA	HP				
9SPV*-HP	0	0	0										13	13	15	15
	3	3	2.3	10200	7700	14.4	12.9	1.35	1/7	6.54	1.04	1/10	20	20	20	20
	4	4	3	13600	10200	18.9	16.4						25	25	25	25
	5	5	3.8	17000	12800	22.4	19.4						30	30	30	30
0	0	0														
12SPV*-HP	3	3	2.3	10200	7700	14.5	13.0	1.46	1/7	5.05	1.04	1/10	20	20	20	20
	4	4	3	13600	10200	19	16.5						25	25	25	25
	5	5	3.8	17000	12800	22.5	19.5						30	30	30	30
	0	0	0													
1824SPV*-HP	3	3	2.3	10200	7700	14.7	13.2	1.69	1/4	11.23	1.13	1/6	20	20	20	20
	4	4	3	13600	10200	19.2	16.7						25	25	25	25
	5	5	3.8	17000	12800	22.7	19.7						30	30	30	30
	6	6	4.5	20400	15300	26.7	23.3						35	35	35	35
	8	8	6	27300	20500	34.7	30.2						45	45	45	45
	10	9	6.8	30690	23000	39.2	34.1						50	50	50	50
	0	0	0													

SPV-HP

2+ ton - 3 ton Heat Pump



Unit	A	B	C	D	E	F	G	H	Filter	Unit Wt
25SPV	8.7	6.9	28	43.9	72	28	9.0	10.4	26 x 28 x 1	237
3036SPV	10.5	5.7	28	43.9	72	28	9.5	8.5	26 x 28 x 1	289

Model	Heat Strip Size	Electric Heat Data						Blower Data		Condenser Data			Minimum Circuit Ampacity		Maximum Circuit Protection	
		kW		BTUH		Total Heating Amps		Evaporator Motor		Compressor	Condenser Motor		208V	240V	208V	240V
		240V	208V	240V	208V	240V	208V	Amps	HP	RLA	FLA	HP				
25SPV*-HP	0	0	0										20	20	30	30
	3	3	2.3	10200	7700	14.4	12.7	1.9	2/5	12.4	1.8	1/6	20	20	30	30
	4	4	3.0	13600	10200	18.5	16.2						25	25	30	30
	5	5	3.8	17000	12800	22.9	19.9						30	30	30	30
	6	6	4.5	20400	15300	26.9	23.5						35	35	35	35
	8	8	6.0	27300	20500	34.9	30.4						45	45	45	45
	10	9	6.8	30690	23000	39.4	34.3						55	55	55	55
3036SPV*-HP	0	0	0										2.2	2/5	13.8	1.8
	3	3	2.3	10200	7700	15.8	14.3	25	25	35	35					
	4	4	3.0	13600	10200	20.3	17.8	25	25	35	35					
	5	5	3.8	17000	12800	23.8	20.8	30	30	35	35					
	6	6	4.5	20400	15300	27.8	24.4	35	35	35	35					
	8	8	6.0	27300	20500	36.1	31.6	45	45	45	45					
	10	9	6.8	30690	23000	40.3	35.3	55	55	55	55					

SPV-HP

Blower and Performance Data

Blower Data												
Model Number	Speed	CFM @ Inches of WC External Static Pressure										
		0.00	0.05	0.10	0.15	0.20	0.25	0.30	0.35	0.40	0.45	0.50
9SPV*-HP	High	674	633	603	571	542	503	466	427	374	309	189
	Medium	642	598	568	538	502	455	419	385	330	210	99
	Low	606	570	540	500	464	419	365	312	228	128	47
12SPV*-HP	High	732	701	674	646	615	584	526	493	444	397	331
	Medium	674	633	603	571	542	503	466	427	374	309	189
	Low	615	584	553	519	479	439	391	335	246	148	52
1824SPV*-HP	High	850	819	791	759	738	704	670	642	622	585	541
	Medium	818	788	763	731	693	664	634	599	544	518	482
	Low	751	716	684	649	616	581	545	505	466	415	265
25SPV*-HP	High	1,268	1,240	1,187	1,130	1,119	1,062	994	928	841	771	627
	Medium	1,221	1,189	1,130	1,085	1,061	1,007	938	858	777	676	483
	Low	1,160	1,136	1,089	1,035	827	930	871	800	706	564	473
3036SPV*-HP	High	1,400	1,367	1,322	1,270	1,179	1,108	1,035	959	877	765	600
	Medium	1,346	1,310	1,275	1,214	1,138	1,059	985	899	811	694	533
	Low	1,283	1,248	1,193	1,144	1,069	992	906	812	711	586	488

Cooling Performance Data						
Model	Standard	Cooling Range	SEER	EER	IEER	Sensible Heat
9SPV*-HP	9,800	3,000-11,200	18.00	11.6	14.5	0.72
12SPV*-HP	11,600	4,000-14,800	17.20	11.1	13.6	0.71
1824SPV*-HP	16,500	7,200-21,000	16.50	11.1	14.7	0.73
25SPV*-HP	22,500	9,700-26,500	15.80	11.0	13.1	0.75
3036SPV*-HP	27,000	12,000-33,000	14.80	11.0	16.3	0.76
95°F ODDB / 75°F ODWB 80°F IDDB / 67°F IDWB						

Heating Performance Data				
Model	Standard	Heating	HSPF	COP
9SPV*-HP	10,000	3,400-12,500	9.5	3.80
12SPV*-HP	12,800	4,600-16,000	9.5	3.70
1824SPV*-HP	16,500	8,000-22,000	9.0	3.50
25SPV*-HP	22,700	10,200-29,000	9.5	3.60
3036SPV*-HP	28,000	13,200-34,800	8.5	3.30
47°F ODDB / 43°F ODWB 70°F IDDB / 60°F IDWB				

SPV-HP

Expanded Cooling Ratings

Cooling Performance Data (Sizes 9 - 3036)

Model	Cooling		Outdoor Conditions (DB)						
	Indoor Conditions		77F(25C)	86F(30C)	95F(35C)	104F(40C)	113F(45C)	122F(50C)	
	DB	WB							
9SPV	69.8 F (21 C)	59 F (15 C)	TC	7.24	8.45	8.04	7.56	6.80	5.99
			Input	0.66	0.85	0.83	0.84	0.82	0.80
	75.2 F (24 C)	62.6 F (17 C)	TC	8.45	9.38	8.94	8.40	7.56	6.65
			Input	0.69	0.87	0.84	0.86	0.83	0.82
	80.6 F (27 C)	66.2 F (19 C)	TC	9.73	10.43	9.93	13.00	9.87	7.90
			Input	0.88	0.87	0.86	1.40	1.23	0.92
	89.6 F (32 C)	73.4 F (23 C)	TC	9.83	11.47	10.92	10.27	9.24	8.13
			Input	0.70	0.90	0.88	0.89	0.87	0.85
12SPV	69.8 F (21 C)	59 F (15 C)	TC	8.89	10.38	9.88	9.29	8.36	7.36
			Input	0.78	1.00	0.97	0.99	0.96	0.94
	75.2 F (24 C)	62.6 F (17 C)	TC	9.88	11.53	10.98	10.32	9.29	8.17
			Input	0.79	1.02	0.99	1.01	0.98	0.96
	80.6 F (27 C)	66.2 F (19 C)	TC	10.98	13.18	12.20	14.36	9.62	8.37
			Input	0.81	1.04	1.01	2.12	1.23	1.21
	89.6 F (32 C)	73.4 F (23 C)	TC	12.08	14.09	13.42	12.61	11.35	9.99
			Input	0.82	1.06	1.03	1.05	1.02	1.00
1824SPV	69.8 F (21 C)	59 F (15 C)	TC	12.87	15.01	14.30	13.44	12.09	10.64
			Input	1.21	1.55	1.51	1.54	1.49	1.46
	75.2 F (24 C)	62.6 F (17 C)	TC	14.30	16.68	15.89	14.93	13.44	11.83
			Input	1.23	1.58	1.54	1.57	1.52	1.49
	80.6 F (27 C)	66.2 F (19 C)	TC	19.25	20.12	17.65	17.36	13.45	10.63
			Input	1.66	1.97	1.57	2.40	2.21	1.44
	89.6 F (32 C)	73.4 F (23 C)	TC	20.77	20.39	19.42	18.25	16.43	14.45
			Input	1.52	1.64	1.60	1.63	1.58	1.55
25SPV	69.8 F (21 C)	59 F (15 C)	TC	16.08	18.76	17.87	16.80	15.12	13.30
			Input	1.54	1.97	1.92	1.96	1.90	1.86
	75.2 F (24 C)	62.6 F (17 C)	TC	17.87	20.85	19.85	18.66	16.80	14.78
			Input	1.57	2.01	1.96	2.00	1.94	1.90
	80.6 F (27 C)	66.2 F (19 C)	TC	23.82	23.16	22.06	21.80	19.62	16.87
			Input	1.80	2.05	2.00	2.19	2.12	1.95
	89.6 F (32 C)	73.4 F (23 C)	TC	25.48	24.99	24.27	22.81	20.53	18.07
			Input	1.73	2.10	2.04	2.08	2.02	1.98
3036SPV	69.8 F (21 C)	59 F (15 C)	TC	19.90	23.22	22.11	20.79	18.71	16.46
			Input	1.86	2.39	2.32	2.37	2.30	2.25
	75.2 F (24 C)	62.6 F (17 C)	TC	22.11	25.80	24.57	23.10	20.79	18.29
			Input	1.90	2.44	2.37	2.42	2.35	2.30
	80.6 F (27 C)	66.2 F (19 C)	TC	29.48	28.67	27.30	25.10	22.59	19.43
			Input	2.18	2.49	2.42	2.39	2.32	2.13
	89.6 F (32 C)	73.4 F (23 C)	TC	31.53	30.93	30.03	28.23	25.41	22.36
			Input	2.10	2.54	2.47	2.52	2.44	2.39

Legend: DB - Dry Bulb, WB - Wet Bulb, TC - Total Net Cooling Capacity, Input - Total Power (kW)

SPV-HP

Expanded Heating Ratings

Heating Performance Data (Sizes 9 - 1824)

Model	Heating		Outdoor Conditions (DB)									
	Indoor Conditions DB		53.6F (12C)	44.6F (7C)	39.2F (4C)	32F (0C)	24.8F (-4C)	19.4F (-7C)	17F (-8C)	5F (-15C)	0F (-17C)	-4F (-20C)
9SPV	59F(15C)	TH	14.42	11.01	10.35	9.93	10.43	10.53	9.59	7.29	6.99	6.57
		Input	1.03	0.85	0.91	0.92	1.06	1.42	1.41	1.22	1.21	1.20
		COP	4.10	3.82	3.32	3.16	2.88	2.17	2.00	1.75	1.69	1.61
	64.4F(18C)	TH	14.03	10.79	10.25	9.84	10.33	10.44	9.50	7.12	6.84	6.43
		Input	1.06	0.86	0.93	0.94	1.08	1.44	1.42	1.23	1.21	1.20
		COP	3.88	3.67	3.23	3.07	2.80	2.13	1.95	1.70	1.65	1.57
	69F(20.5C)	TH	13.75	10.58	10.23	9.72	10.01	10.10	9.19	7.03	6.75	6.34
		Input	1.10	0.88	0.95	0.94	1.12	1.45	1.39	1.23	1.22	1.21
		COP	3.66	3.43	3.16	3.04	2.61	2.04	1.94	1.68	1.62	1.54
	71.6F(22C)	TH	13.62	10.47	9.85	9.06	9.33	9.42	8.95	6.89	6.62	6.22
		Input	0.92	0.90	0.89	0.88	1.05	1.37	1.35	1.25	1.24	1.23
		COP	4.36	3.42	3.25	3.03	2.60	2.02	1.94	1.62	1.57	1.49
12SPV	59F(15C)	TH	17.45	13.32	12.78	12.27	11.17	10.16	9.25	10.17	9.26	8.42
		Input	1.24	1.02	1.10	1.11	1.10	1.09	1.08	1.09	1.20	1.32
		COP	4.12	3.83	3.41	3.24	2.98	2.74	2.52	2.74	2.27	1.88
	64.4F(18C)	TH	16.97	13.06	12.66	12.16	10.94	9.96	9.06	9.97	9.07	8.25
		Input	1.28	1.04	1.12	1.13	1.12	1.11	1.10	1.11	1.22	1.32
		COP	3.89	3.68	3.31	3.14	2.86	2.63	2.42	2.63	2.18	1.83
	69F(20.5C)	TH	16.64	12.8	12.54	11.54	10.62	9.77	9.57	9.74	9.35	8.79
		Input	1.33	1.06	1.14	1.13	1.12	1.11	1.16	1.12	1.29	1.42
		COP	3.68	3.54	3.21	3.00	2.79	2.59	2.42	2.55	2.13	1.82
	71.6F(22C)	TH	16.47	12.67	11.66	10.84	10.52	9.57	9.38	9.47	9.09	8.55
		Input	1.10	1.08	1.07	1.06	1.11	1.13	1.16	1.15	1.26	1.39
		COP	4.38	3.44	3.19	3.00	2.77	2.47	2.37	2.42	2.11	1.81
1824SPV	59F(15C)	TH	20.34	19.56	17.99	17.27	16.24	15.91	16.71	13.70	13.15	12.63
		Input	1.61	1.56	1.68	2.07	2.05	1.93	1.95	1.83	2.07	2.31
		COP	3.71	3.68	3.13	2.45	2.32	2.42	2.52	2.20	1.87	1.60
	64.4F(18C)	TH	19.94	19.18	17.64	16.94	15.75	15.44	16.21	13.29	12.76	12.12
		Input	1.62	1.57	1.70	2.09	2.05	1.95	1.97	1.85	2.09	2.34
		COP	3.61	3.57	3.04	2.37	2.25	2.32	2.42	2.11	1.79	1.52
	69F(20.5C)	TH	19.55	18.80	17.20	16.60	15.32	15.17	15.90	12.90	12.38	11.64
		Input	1.61	1.59	1.72	2.13	2.03	1.97	2.01	1.85	2.13	2.34
		COP	3.57	3.47	2.93	2.28	2.21	2.26	2.32	2.04	1.71	1.46
	71.6F(22C)	TH	19.36	18.61	17.12	16.27	14.97	14.82	15.41	12.33	11.96	11.24
		Input	1.62	1.61	1.72	2.13	2.05	2.00	2.02	1.92	2.13	2.35
		COP	3.50	3.40	2.92	2.24	2.14	2.17	2.23	1.88	1.64	1.40

Legend

DB - Dry Bulb

WB - Wet Bulb

TH - Total Net Heating Capacity

Input - Total Power (kW)

COP - Coefficient of Performance

SPV-HP

Expanded Heating Ratings

Cooling Performance Data (Sizes 25 - 3036)

Model	Heating		Outdoor Conditions (DB)									
	Indoor Conditions DB		53.6F (12C)	44.6F (7C)	39.2F (4C)	32F (0C)	24.8F (-4C)	19.4F (-7C)	17F (-8C)	5F (-15C)	0F (-17C)	-4F (-20C)
25SPV	59F(15C)	TH	25.85	24.86	24.61	23.38	21.51	21.08	20.66	16.94	14.91	13.12
		Input	1.91	1.95	2.20	2.18	2.15	2.13	2.11	1.90	1.82	1.80
		COP	3.97	3.74	3.27	3.14	2.93	2.90	2.88	2.62	2.40	2.13
	64.4F(18C)	TH	25.47	24.49	24.25	23.04	21.19	20.77	20.15	16.52	14.54	12.79
		Input	1.93	1.99	2.25	2.21	2.18	2.16	2.14	1.92	1.85	1.83
		COP	3.87	3.61	3.16	3.05	2.85	2.82	2.76	2.52	2.31	2.05
	69F(20.5C)	TH	24.98	24.25	23.77	22.34	20.78	20.15	19.75	15.89	13.98	12.31
		Input	1.93	2.03	2.23	2.26	2.22	2.18	2.17	1.92	1.86	1.81
		COP	3.80	3.50	3.12	2.90	2.74	2.71	2.67	2.43	2.20	2.00
	71.6F(22C)	TH	24.25	24.01	23.29	21.42	19.71	19.32	18.93	15.33	13.49	11.87
		Input	1.95	2.07	2.24	2.20	2.17	2.15	2.13	1.98	1.90	1.86
		COP	3.65	3.40	3.05	2.85	2.66	2.64	2.61	2.27	2.08	1.87
3036SPV	59F(15C)	TH	28.89	27.78	27.50	26.13	24.04	23.56	23.09	19.62	17.27	15.20
		Input	2.27	2.31	2.61	2.59	2.55	2.52	2.50	2.25	2.16	2.14
		COP	3.74	3.52	3.09	2.96	2.77	2.74	2.71	2.56	2.35	2.09
	64.4F(18C)	TH	28.47	27.37	27.10	25.74	23.68	23.21	22.51	19.14	16.84	14.82
		Input	2.29	2.36	2.67	2.63	2.59	2.56	2.53	2.28	2.19	2.17
		COP	3.65	3.40	2.98	2.87	2.68	2.66	2.60	2.46	2.25	2.00
	69F(20.5C)	TH	27.91	27.10	26.56	24.96	23.22	22.52	21.20	18.95	16.68	14.67
		Input	2.29	2.41	2.65	2.26	2.22	2.18	2.41	2.31	2.24	2.17
		COP	3.58	3.30	2.94	3.24	3.07	3.03	2.58	2.40	2.18	1.98
	71.6F(22C)	TH	27.10	26.83	26.02	23.94	22.03	21.59	21.15	17.14	15.08	13.27
		Input	2.31	2.45	2.65	2.61	2.57	2.55	2.52	2.34	2.25	2.21
		COP	3.44	3.20	2.88	2.69	2.51	2.48	2.46	2.14	1.96	1.76

Legend

DB - Dry Bulb

WB - Wet Bulb

TH - Total Net Heating Capacity

Input - Total Power (kW)

COP - Coefficient of Performance

SPV-HP

Sound Ratings

Indoor

Unit	Speed	Frequency (Hz)							
		125	250	500	1000	2000	4000	8000	10000
9SPV*-HP	High	30.44	43.57	44.00	51.27	47.70	42.02	31.37	26.86
	Medium	29.02	43.91	43.19	49.48	45.78	39.63	29.32	24.68
	Low	25.73	43.20	42.90	47.84	44.00	37.41	27.22	22.20
12SPV*-HP	High	27.57	47.38	47.09	50.80	48.78	41.88	30.82	25.95
	Medium	27.50	47.05	47.21	49.64	47.45	40.12	28.58	23.69
	Low	27.17	46.81	45.91	47.60	44.98	37.33	26.08	20.53
1824SPV*-HP	High	31.80	45.54	48.81	54.30	52.78	48.60	37.29	32.10
	Medium	31.80	45.17	48.46	53.17	51.50	45.41	35.83	30.71
	Low	31.88	44.42	48.13	52.27	49.39	43.02	33.41	28.56
25SPV*-HP	High	33.84	45.79	53.44	57.95	56.37	53.34	41.27	38.77
	Medium	33.31	45.51	52.75	57.06	55.36	52.42	40.15	37.67
	Low	33.36	45.30	52.50	56.55	54.99	51.78	39.29	37.04
3036SPV*-HP	High	41.89	48.74	52.71	55.42	52.25	47.65	39.86	36.66
	Medium	41.02	46.90	51.20	54.15	51.01	46.65	39.15	36.36
	Low	42.10	46.26	50.61	53.59	50.40	46.04	38.50	35.97
LpA (ST) avg [dB]									

Outdoor

Unit	Speed	Frequency (Hz)							
		125	250	500	1000	2000	4000	8000	10000
9SPV*-HP	High	29.86	43.88	43.94	51.25	47.75	41.99	31.32	26.76
	Medium	29.58	43.55	43.28	49.55	45.78	39.73	29.33	24.62
	Low	27.46	42.65	42.73	47.80	43.93	37.28	27.13	22.05
12SPV*-HP	High	27.61	47.30	47.12	50.83	48.76	41.90	30.82	25.98
	Medium	27.50	47.16	46.93	49.58	47.42	40.13	28.61	23.69
	Low	26.96	46.86	46.12	47.65	44.88	37.22	26.10	20.61
1824SPV*-HP	High	29.31	42.96	47.01	47.46	36.73	28.79	15.29	12.69
	Medium	29.13	43.22	46.96	46.93	36.70	28.60	15.52	13.83
	Low	29.58	43.29	47.37	46.23	36.76	28.34	15.83	14.09
25SPV*-HP	High	29.51	43.82	48.67	50.23	46.13	38.12	24.76	25.17
	Medium	29.56	43.88	48.63	50.03	45.96	37.92	24.20	25.34
	Low	29.12	43.81	48.55	49.79	45.98	37.87	24.39	23.51
3036SPV*-HP	High	40.71	45.36	50.35	50.19	47.21	41.25	27.16	26.64
	Medium	41.27	44.79	50.27	50.07	47.23	41.09	26.95	25.98
	Low	40.64	44.99	50.31	50.04	47.05	41.43	27.33	26.85
LpA (ST) avg [dB]									

Tested per AHRI Standard 260-2017, AHRI Standard 270-2015 and ANSI / AHRI Standard 220-2014

SPV-HP

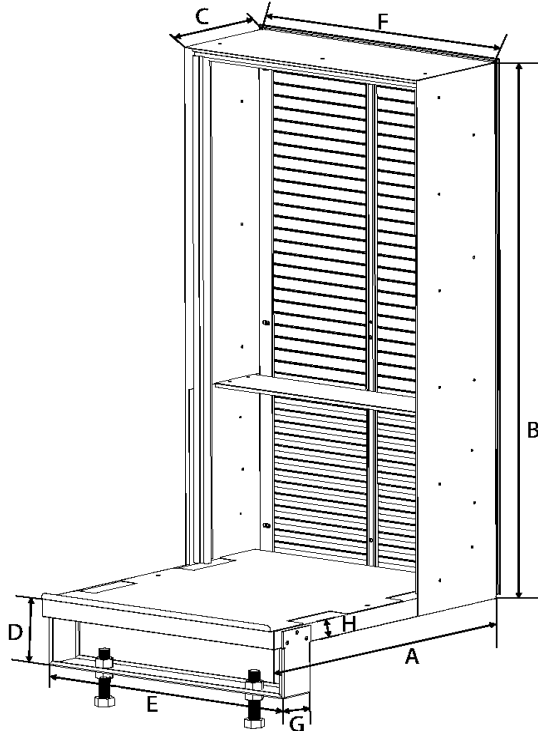
Wall Sleeves

Part Number	Wall thickness			A	B	C	D	E	F	G	H	Rough-In		Weight
	Fits	Min	Max									Height	Width	
WS1-58	9SPV	5"	8"	25.6	43.7	9.0	5.5	21.65	21.4	3.15	1.5	44.0	21.625	48
	12SPV	5"	8"	25.6	43.7	9.0	5.5	21.65	21.4	3.15	1.5	44.0	21.625	48
	1824SPV	5"	8"	25.6	43.7	9.0	5.5	21.65	21.4	3.15	1.5	44.0	21.625	48
WS2-58	25SPV	5"	8"	30.7	46.54	9.0	5.5	29.57	29.4	3.15	1.7	46.7	29.625	86
	3036SPV	5"	8"	30.7	46.54	9.0	5.5	29.57	29.4	3.15	1.7	46.7	29.625	86
WS1-812	9SPV	8"	12"	29.6	43.7	13.0	5.5	21.65	21.4	3.15	1.5	44.0	21.625	51
	12SPV	8"	12"	29.6	43.7	13.0	5.5	21.65	21.4	3.15	1.5	44.0	21.625	51
	1824SPV	8"	12"	29.6	43.7	13.0	5.5	21.65	21.4	3.15	1.5	44.0	21.625	51
WS2-812	25SPV	8"	12"	34.7	46.54	13.0	5.5	29.57	29.4	3.15	1.7	46.7	29.625	90
	3036SPV	8"	12"	34.7	46.54	13.0	5.5	29.57	29.4	3.15	1.7	46.7	29.625	90
WS1-1215	9SPV	12"	15"	32.6	43.7	16.0	5.5	21.65	21.4	3.15	1.5	44.0	21.625	54
	12SPV	12"	15"	32.6	43.7	16.0	5.5	21.65	21.4	3.15	1.5	44.0	21.625	54
	1824SPV	12"	15"	32.6	43.7	16.0	5.5	21.65	21.4	3.15	1.5	44.0	21.625	54
WS2-1215	25SPV	12"	15"	34.7	46.54	16.0	5.5	29.57	29.4	3.15	1.7	46.7	29.625	93
	3036SPV	12"	15"	37.7	46.54	16.0	5.5	29.57	29.4	3.15	1.7	46.7	29.625	93
WS1-1520	9SPV	15"	20"	37.6	43.7	21.0	5.5	21.65	21.4	3.15	1.5	44.0	21.625	58
	12SPV	15"	20"	37.6	43.7	21.0	5.5	21.65	21.4	3.15	1.5	44.0	21.625	58
	1824SPV	15"	20"	37.6	43.7	21.0	5.5	21.65	21.4	3.15	1.5	44.0	21.625	58
WS2-1520	25SPV	15"	20"	42.7	46.54	21.0	5.5	29.57	29.4	3.15	1.7	46.7	29.625	98
	3036SPV	15"	20"	42.7	46.54	21.0	5.5	29.57	29.4	3.15	1.7	46.7	29.625	98

Wall sleeves can be used in either side or rear install application.

Standard WS wall sleeve features

- Heavy duty leveling legs with locking nuts
- Powder coated paint finish
- Foil face rubber insulation lining
- Pre-drilled holes on sides, for mounting to inside frame opening



The WS wall sleeve has a built in condensate drain pan. A 3/4" female pipe thread connection is provided in the bottom of the wall sleeve for field connection to a condensate riser. If the primary condensate drain becomes clogged, and the condensate drain overflows, water will flow toward the front of the sleeve to the exterior of the building.

SPV-HP

Architectural Outdoor Grilles



	Fits	Height	Width	Finish
OG-1A	9SPV - 1824SPV	44"	22"	Brushed Aluminum
OG-1P	9SPV - 1824SPV	44"	22"	Paint Ready Aluminum
OG-2A	25SPV - 3036SPV	51.5"	30"	Brushed Aluminum
OG-2P	25SPV - 3036SPV	51.5"	30"	Paint Ready Aluminum

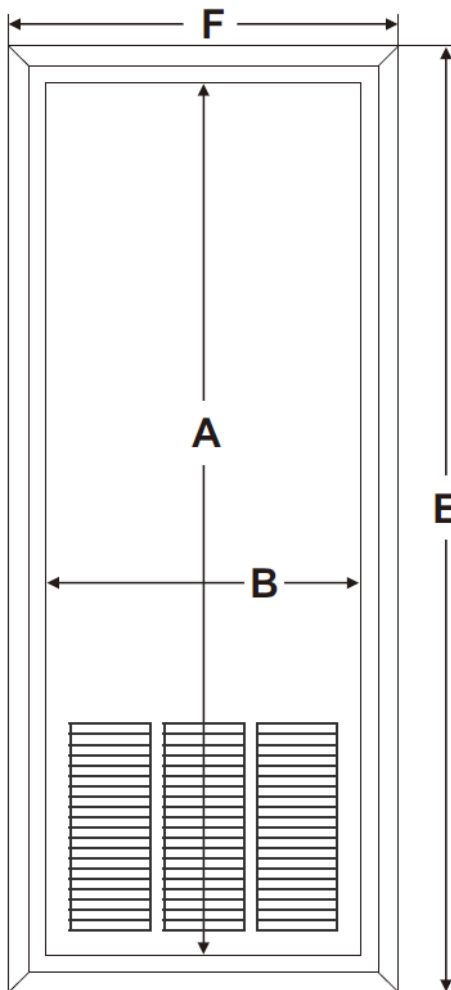
OG Architectural Outdoor Grilles attach to the exterior of the Wall Sleeve, from the inside of the building, with the factory provided bolts.

The louver design allows condenser air to enter the lower portion of the grille and exit the upper portion of the grille.

Outdoor Grilles are available in either a brushed aluminum finish or a paint ready finish.

SPV-HP

Access Panels



A - Inside Frame Height **B** - Inside Frame Width
E - Outside Frame Height **F** - Outside Frame Width

Standard Features

Design

Interior Panel Braces
 Integrated Clips in Panel Frame
 Single Piece Wrapped Frame with 90° Squared Corner Seams
 Captive Screw Retainers

Materials

Heavy Gauge Galvanized Steel Construction
 with Off-White Powder Paint Finish
 Stainless Steel Screws with Protective Washers

Packaging

Individually Wrapped and Individually Packaged with
 Heavy-Duty Cartons
 Interior Glossy Label with Panel Model Number and
 Barcode

	Style	Filter Size (not included)	Fits Sizes	A	B	E	F
931-11-LA	Louvered	18 x 24 x 1	9 - 1824	84	28	87	31
931-11-S	Solid	N/A	9 - 1824	84	28	87	31
931-13-LA	Louvered	18 x 24 x 1	9 - 1824	79	28	82	31
931-13-S	Solid	N/A	9 - 1824	79	28	82	31
931-14-LA	Louvered	20 x 24 x 1	25 - 3036	84	36	87	39
931-14-S	Solid	N/A	25 - 3036	84	36	87	39

Dimensions shown are in inches

The wall access panels are mounted to an interior wall and provide service access to the equipment closet and provide return air filtration (-LA panels only).

Digital Wired Wall Controller



Features

- 3-Speed Fan Control
- 7-Day Programmable
- Dehumidification Mode
- Modern Touchscreen Design

	Fits	Height	Width	Depth
WWC-1	9SPV - 3036SPV	5.8"	4.5"	1.1"

The SPV-HP units have a factory standard control board, for use with a standard 24V thermostat or a wired wall controller. The WWC-1 wired wall controller is connected directly to the board, with a single plug, connected to a communication cable.

Digital 24V Programmable Thermostats



Features

- Remote indoor sensor input (all thermostats)
- Occupancy sensor / setback input (MMT4522-001)
- Built-in Occupancy Sensor (MMT8532OCC)
- Programmable or Non-Programmable
- 3 Levels of Keypad Lockout with PIN Access
- 2 Heat / 1 Cool Programmed for SPV-HP Units

Model	Fits	Height	Width	Depth
MMT4522-001	9SPV - 3036SPV	4.30"	5.70"	1.30"
MMT8532-002	9SPV - 3036SPV	4.30"	5.70"	1.30"
MMT8532OCC-1	9SPV - 3036SPV	4.30"	5.70"	1.30"

The SPV-HP units have a factory standard control board, for use with the MMT thermostats or wired wall controllers.

The MMT thermostats connect to the board with standard thermostat wire.

All MMT thermostats are factory configured as Non-Programmable, but can easily be modified in the field to a Programmable thermostat.

The thermostats wire from G (auto) on the board to the G terminal on the thermostat. The blower motor speed is controlled through the main control board.

Digital 24V Wireless Thermostats

Non-Programmable



Features

- Large LED Display with Blue Backlight
- Heating and Cooling Set Point Limits
- Separate Heating and Cooling Swing Cycle Rate Adjustment
- Battery or 24V Power

	Fits	Height	Width	Depth
MMW-1	9SPV - 3036SPV	3.9"	4.7"	1.1"

The MMW-1 includes a thermostat, thermostat sub base and a wireless receiver. The wireless receiver connects to the 24V Board in the SPV-HP unit and will mount inside of the unit cabinet.

Please refer to the MMW-1 Installation, Operation and Maintenance Instructions for additional information.

Adjustable Fresh Air for Balance Ventilation

All SPV-HP-F Models Produced after April 2023

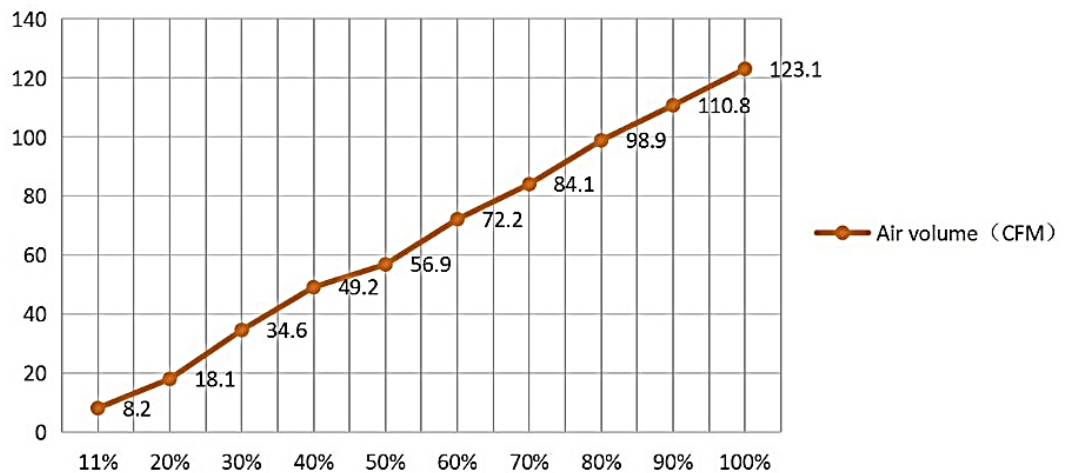


Controller Setting	CFM
11%	8
20%	18
30%	35
40%	49
50%	57
60%	72
70%	84
80%	99
90%	111
100%	123



Features

- On / Off Fresh Air Fan Switch
- Dial for 0 - 100% Fan Speed Control
- Large Liquid Crystal Display
- Lock Set Function
- Outside Air Range from 8 - 123 CFM





2480 Grand Avenue

Vista, CA 92081

Phone: 760-670-3005

Fax: 760-670-3307

www.multimfg-usa.com