



HCHP-HH

Hyper Heat Horizontal Soffit Mount System



High Efficiency, with Full Heating Capacity down to 5° F

3/4 Ton - 5 Ton, with Efficiencies up to 20.20 SEER2 and 13.2 EER2



The HCHP is a highly efficient split system, with a horizontal ceiling mount soffit mount fan coil and an outdoor side discharge heat pump unit. The indoor fan coil can be installed in various locations, and can be configured for bottom return air or ducted return air. This system supplies comfortable cooling and heating performance at low sound levels.

Typical installations for the HCHP include:

- Apartments
- Condominiums
- Independent Care Facilities
- Pre Manufactured Homes
- Single Family Home Addition
- Modular Buildings
- Student Housing
- Offices
- Stores



Features

Highly Efficient / High Performance

- Highly Efficient Inverter Compressor, with Efficiencies up to 20.20 SEER2
- Air Handler EC Blower Motor, with Available ESP up to 0.64" WC
- Low Amp Draw DC motor in Outdoor HP

Quiet Operation, Inside and Outside

- Low Sone DC motor in HCHP Fan Coil
- Quiet Inverter Compressor in Outdoor Heat Pump, with low Sound Levels

Heating at Low Ambient Conditions

- Standard Base Pan Heaters
- Hyper Heat, with full heating capacity down to 5° F
- Crankcase Heater

Fresh Air

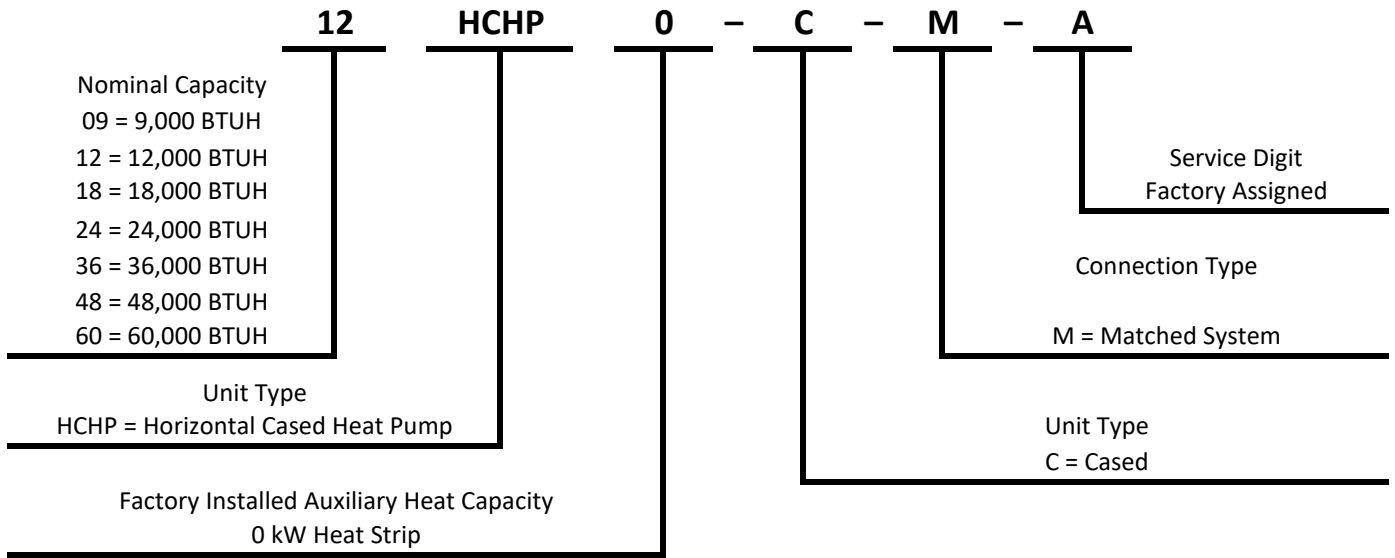
- Optional Field Install OSA Fan-Assisted Fresh Air Package is available

Design

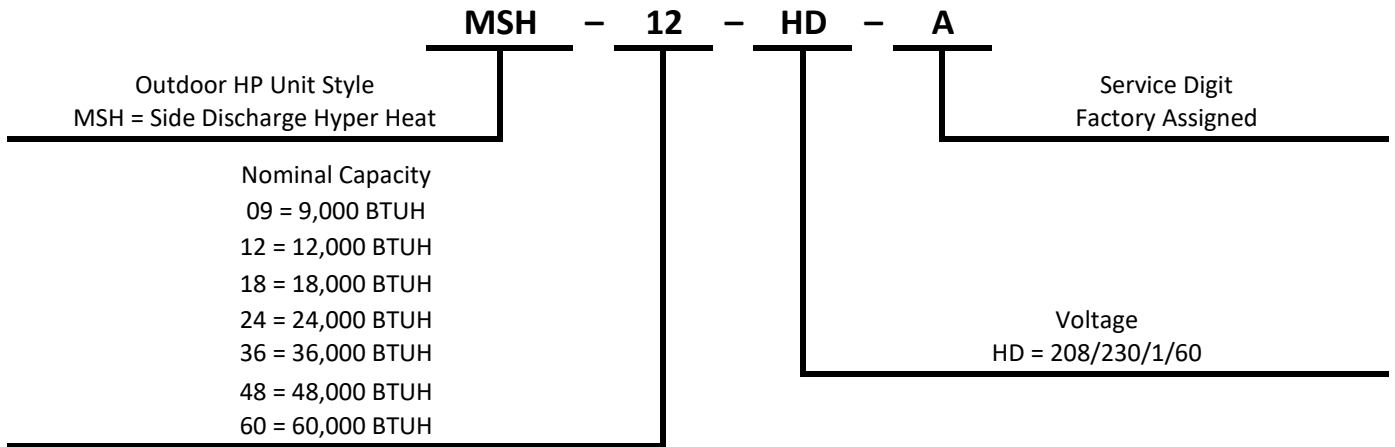
- Rear Return Air or Bottom Return Air
- Installed Indoor Fan Coil Freeze Protector
- Automatic Restart Function
- Available Optional 24V Control Board with High, Medium and Low Motor Speed Taps
- Liquid Line Service Port
- External Condensate Pump (9 - 18) or Installed Condensate Pump (24 - 48)
- Pre-Coated Fins on Evaporator and Condenser Coils
- Cleanable Filters in Fan Coil
- Gold Pre-Coated Fins on Evaporator and Condenser Coils

Nomenclature

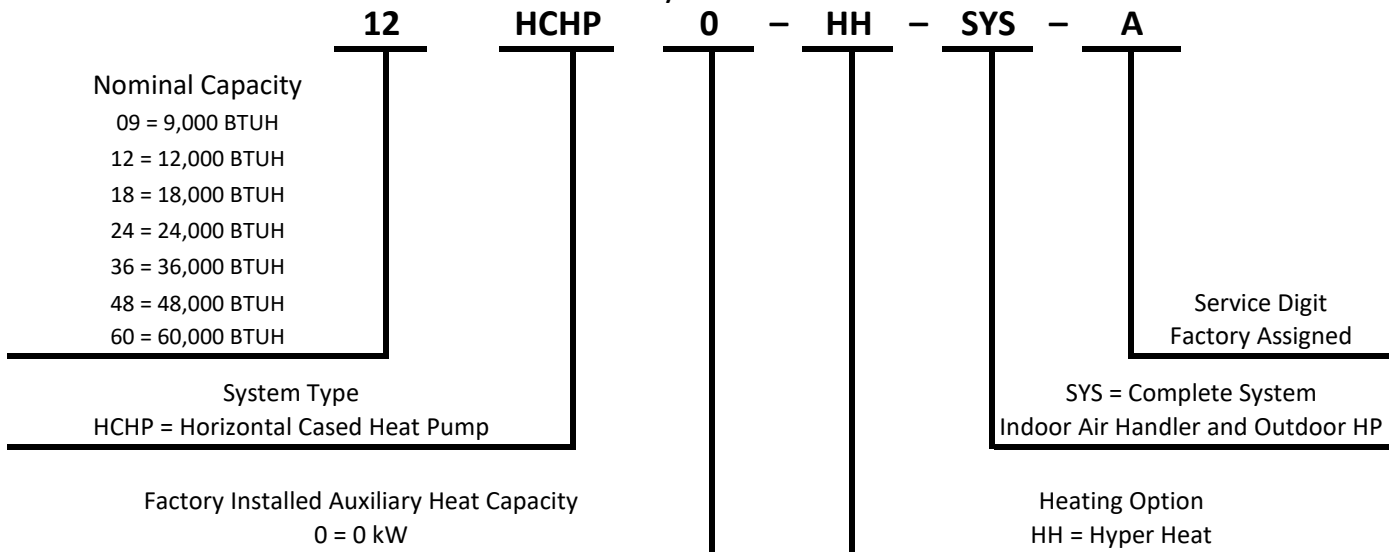
Indoor Unit



Outdoor Unit



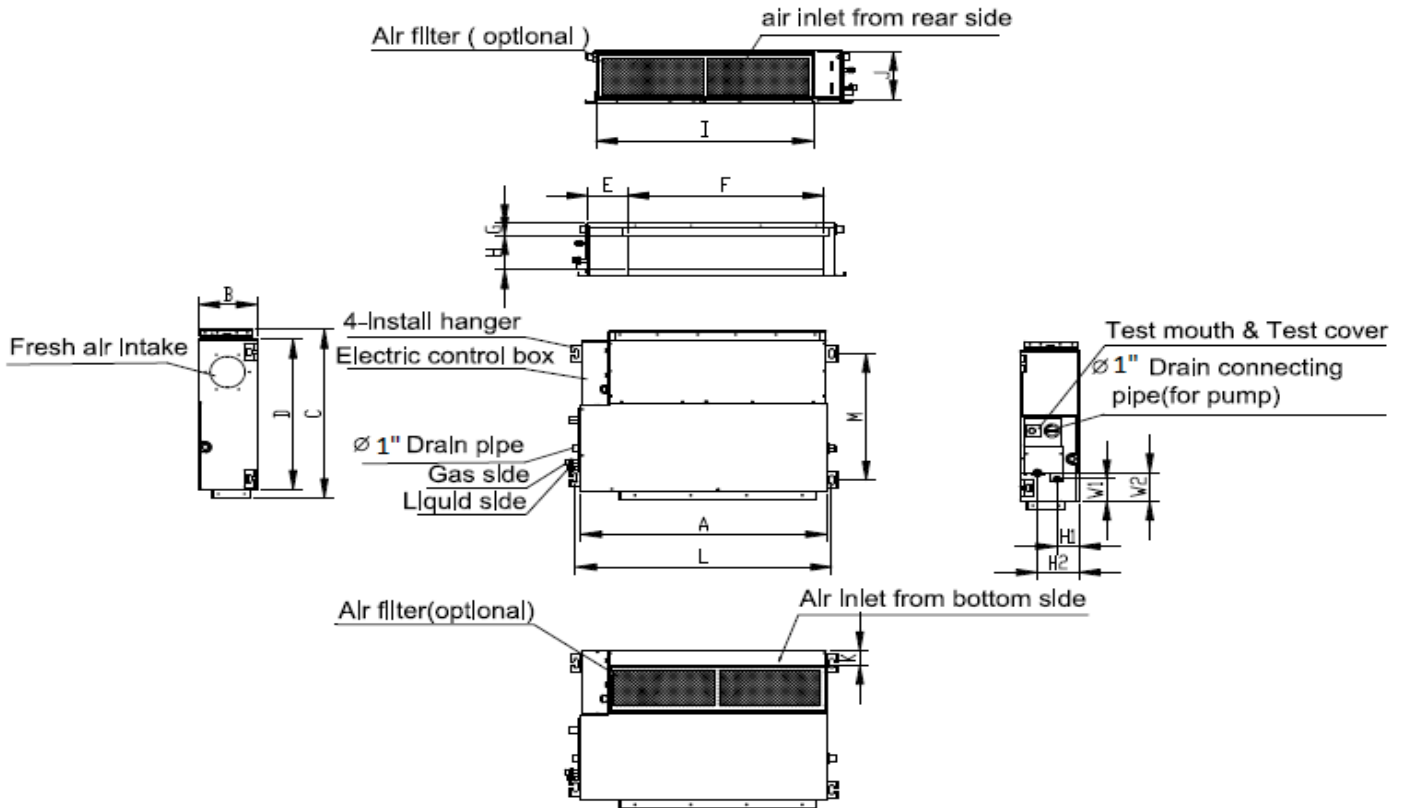
System



HCHP

3/4 ton - 4 ton Heat Pump Fan Coil

Dimensional Data



Unit	A	B	C	D	E	F	G	H	I	J	K	L	M	H1	H2	W1	W2
9HCHP	27.6	7.9	19.9	17.7	5.4	21.1	1.2	6.0	23.6	7.3	2.0	29.2	14.2	3.3	5.5	3.3	3.3
12HCHP	27.6	7.9	19.9	17.7	5.4	21.1	1.2	6.0	23.6	7.3	2.0	29.2	14.2	3.3	5.5	3.3	3.3
18HCHP	34.6	8.3	26.5	23.6	5.5	27.8	2.0	5.4	30.8	7.5	1.6	36.2	20.0	3.1	5.8	3.5	4.4
24HCHP	43.3	9.8	30.5	27.6	5.5	36.5	2.0	6.9	39.4	9.0	0.2	44.9	23.5	3.1	5.9	5.1	6.1
36HCHP	53.5	9.8	30.5	27.6	5.5	46.7	2.0	6.9	49.6	9.0	0.2	55.1	23.5	3.1	5.9	5.1	6.1
48HCHP	47.2	11.8	34.4	31.5	4.8	41.1	2.0	8.9	43.3	11.0	0.2	48.8	27.4	3.1	5.9	7.3	8.3
60HCHP	55.1	18.1	33.8														

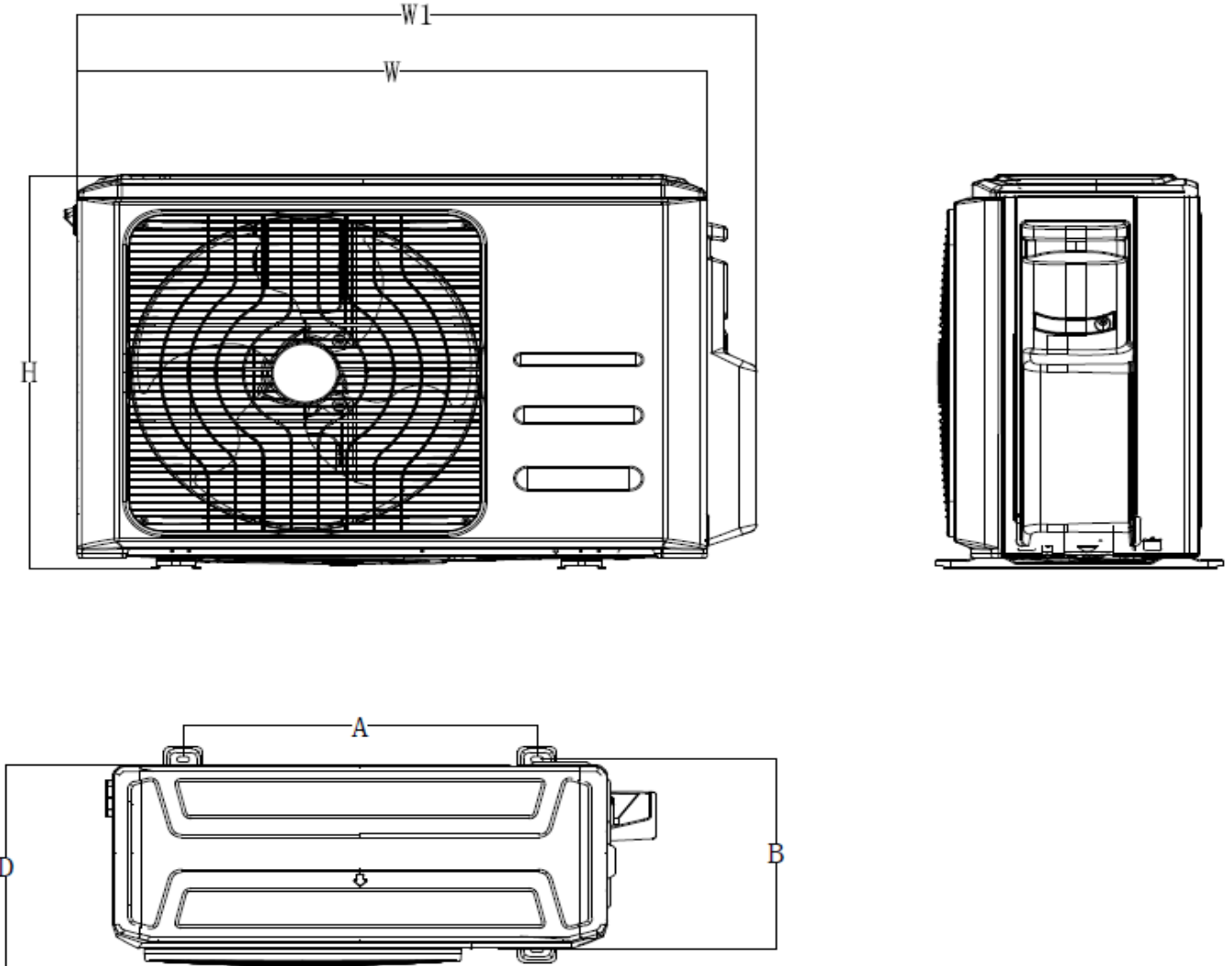
Dimensions shown are in Inches

Condensate Connections on all units are 1"

MSH

3/4 ton - 2 ton Heat Pump Outdoor Units

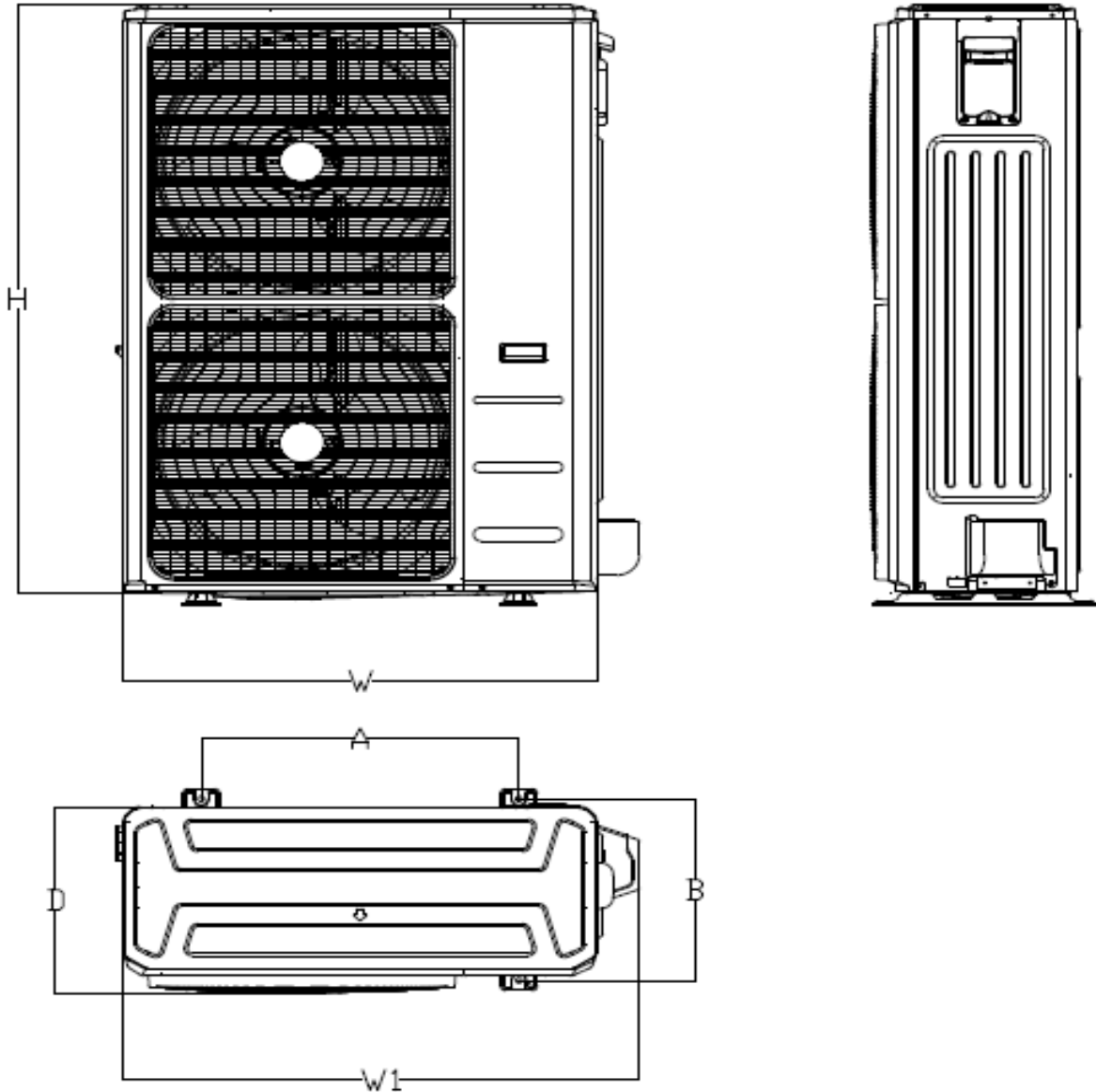
Dimensional Data



Unit	Unit Width (W)	Unit Depth (D)	Unit Height (H)	W1	Bracket Width (A)	Bracket Depth (B)
MSH-09HD-A	31.69	12.99	21.81	34.40	20.10	12.50
MSH-12HD-A	31.69	12.99	21.81	34.40	20.10	12.50
MSH-18HD-A	35.04	13.46	26.50	37.60	26.10	13.70
MSH-24HD-A	37.24	16.14	31.89	40.55	26.50	15.87

Dimensions shown are in Inches

Dimensional Data



Unit	Unit Width (W)	Unit Depth (D)	Unit Height (H)	W1	Bracket Width (A)	Bracket Depth (B)
MSH-36HD-A	37.48	16.34	52.48	41.14	24.96	15.91
MSH-48HD-A	37.48	16.34	52.48	41.14	24.96	15.91
MSH-60HD-A	37.48	16.34	52.48	41.14	24.96	15.91

Dimensions shown are in Inches

HCHP

3/4 ton - 2 ton Fan Coils

Fan Coil Specifications

System Model			9HCHP0-HH-SYS	12HCHP0-HH-SYS	18HCHP0-HH-SYS	24HCHP0-HH-SYS
Indoor Model			9HCHP0-C-M-A	12HCHP0-C-M-A	18HCHP0-C-M-A	24HCHP0-C-M-A
Outdoor Model			MSH-09HD-A	MSH-12HD-A	MSH-18HD-A	MSH-24HD-A
Power supply		V,Hz,P h	208-230~1-60	208-230~1-60	208-230~1-60	208-230~1-60
Cooling	Capacity	Btu/h	9000	12000	17000	24000
	Input	W	682.0	1028.0	1460.0	2000.0
	Rated current	A	4.70	4.22	9.32	8.52
	EER2	Btu/W	13.2	11.7	11.7	12.0
	SEER2		20.20	19.50	18.00	19.20
Heating at 47 °F	Capacity	Btu/h	10000	12500	19000	25000
	Input	W	870.0	1030.0	1900	2220.0
	Rated current	A	4.00	4.58	11.50	8.19
	HSPF2		12.0	10.0	9.5	10.5
Fan Coil Power Supply			Fan Coil Powered from Outdoor Heat Pump			
Indoor fan motor	Model		MMZKFN-55-8-22	MMZKFN-55-8-22-1	MMZKFN-160-8-1-2	MMZKFN-160-8-1-2
	Qty		1	1	1	1
	Input	W	130.0	130.0	90.0	90.0
	RLA	A	0.9	1.0	1.2	1.5
	Speed	r/min	1170 / 1030 / 850	1170 / 1030 / 850	850 / 700 / 450	880 / 820 / 690
Indoor air flow (Hi/Med/Lo) (No duct)		CFM	353 / 283 / 177	353 / 283 / 177	530 / 450 / 371	776 / 694 / 435
ESP	Range	In. wg.	0--0.20	0--0.20	0-0.40	0-0.64
Indoor noise level (Hi/Med/Lo)		dB(A)	33.0 / 30.5 / 27.0	40.1 / 31.5 / 26.5	40.0 / 37.5 / 35.0	44.0 / 40.0 / 35.5
Indoor unit	Dimension (WxDxH)	inch	27.56x19.92x7.87	27.56x19.92x7.87	34.65x26.54x8.27	43.31x30.47x9.80
	Packing(WxDxH)	inch	33.9x21.3x10.8	33.9x21.3x10.8	42.1x28.5x10.6	51.4 x 31.7 x 12
	Net/Gross weight	lbs.	39.1 / 48.3	39.2 / 48.5	55.3 / 67.1	90.4 / 105.8
Design pressure		PSIG	550 / 340	550 / 340	550 / 340	550 / 340
Drainage water pipe diameter		inch	ODΦ1	ODΦ1	ODΦ1	ODΦ1
Refrigerant piping	Liquid side/ Gas side	inch	Φ1/4 / Φ 3/8	Φ1/4 / Φ 1/2	Φ1/4 / Φ 1/2	Φ3/8 / Φ 5/8
Controller			Wired control	Wired control	Wired control	Wired control
Indoor	Cooling	°F	62 ~ 90	62 ~ 90	62 ~ 90	62 ~ 90
	Heating	°F	32 ~ 86	32 ~ 86	32 ~ 86	32 ~ 86
Outdoor	Cooling	°F	-22 ~ 122	-22 ~ 122	-22 ~ 122	-22 ~ 122
	Heating	°F	-22 ~ 75	-22 ~ 75	-22 ~ 75	-22 ~ 75

Outdoor Heat Pump Specifications

System Model		9HSHP0-HH-SYS	12HSHP0-HH-SYS	18HCHP0-HH-SYS	24HCHP0-HH-SYS	
Indoor Model		9HSHP0-C-M-A	12HSHP0-C-M-A	18HCHP0-C-M-A	24HCHP0-C-M-A	
Outdoor Model		MSH-09HD-A	MSH-12HD-A	MSH-18HD-A	MSH-24HD-A	
Power supply	V/Hz/Ph	208/230/60/1	208/230/60/1	208/230/60/1	208/230/60/1	
Max. fuse	A	15.0	15.0	25.0	35.0	
Minimum circuit ampacity	A	15.0	15.0	20.0	25.0	
Compressor	Model	KTN110D42UFZ	KTN110D42UFZ	KTM240D43UKT	KTM240D43UKT	
	Type	ROTARY	ROTARY	ROTARY	ROTARY	
	Brand	GMCC	GMCC	GMCC	GMCC	
	Capacity	Btu/h	11823	11823	25931	25931
	Input	W	885	885	2045	2045
	Rated current (RLA)	A	8.8	8.8	14.25	17.10
	Refrigerant oil	ml	VG74/350	VG74/350	ESTER OIL VG74/620	ESTER OIL VG74/620
Outdoor fan motor	Model	ZKFN-34-10-1	ZKFN-34-10-1	ZKFN-80-8-3	ZKFN-120-8-2	
	Qty	1	1	1	1	
	Input	W	63	63	80	150
	RLA	A	0.40	0.4	0.80	0.5
	Speed	r/min	850/600/450	850/680/450	810/720	950/800/500
Outdoor air flow (Max.)	CFM	1324	1324	1765	2235	
Outdoor noise level	dB(A)	54	52	59	62	
Throttle type		Capillary +EXV	Capillary +EXV	Capillary +EXV	Capillary +EXV	
Outdoor unit	Dimension (W×D×H)	inch	31.69x12.99x21.81	31.69x12.99x21.81	35.04x13.46x26.50	37.24x16.14x31.89
	Packing (W×D×H)	inch	36.2x14.6x24.2	36.2x14.6x24.2	39.2x15.7x29.1	42.9 x 19.7 x 34.9
	Net/ Gross weight	lbs.	74.07 / 80.25	74.07 / 80.25	100.97 / 108.03	134.48 / 144.40
Refrigerant	Type/Precharge	Oz	R410A / 41.62	R410A / 41.62	R410A / 65.26	R410A / 91.71
Refrigerant precharge	ft	25	25	25	25	
Additional charge for each ft	oz	0.16	0.16	0.16	0.32	
Design pressure	PSIG	550 / 340	550 / 340	550 / 340	550 / 340	
Refrigerant piping	Liquid / Suction	inch	1/4" / 3/8"	1/4" / 1/2"	1/4" / 1/2"	3/8" / 5/8"
	Max. pipe length	ft	82	82	98	164
	Max. vertical lift	ft	33	33	66	82
Ambient Range	Cooling	°F	-22~122	-22~122	-22~122	-22~122
	Heating	°F	-22~75	-22~75	-22~75	-22~75

HCHP

3 ton - 5 ton Fan Coils

Fan Coil Specifications

System Model			36HCHP0-HH-SYS	48HCHP0-HH-SYS	60HCHP0-HH-SYS
Indoor Model			36HCHP0-C-M-A	48HCHP0-C-M-A	60HCHP0-C-M-A
Outdoor Model			MSH-36HD-A	MSH-48HD-A	MSH-60HD-A
Power supply		V/Hz/Ph	208/230/60/1	208/230/60/1	208/230/60/1
Cooling	Capacity	Btu/h	36000	48000	55000
	Input	W	3950.0	5840.0	5850.0
	Rated current	A	17.5	26.0	26.0
	EER2	Btu/W	9.0	8.2	9.4
	SEER2		16.50	14.30	15.80
Heating at 47 °F	Capacity	Btu/h	42000	52000	57000
	Input	W	3700.0	4650.0	5150.0
	Rated current	A	16.9	20.5	22.5
	HSPF2		11.0	10.3	9.5
Minimum circuit ampacity		A	40	40	44
Max.fuse		A	50	50	60
Indoor fan motor	Model		ZKFN-300-8-1	ZKFN-560-8-1-1	ZKFN-700-8-1
	Qty		1	1	1
	Input	W	250	560	420
	FLA	A	1.6	2.5	2.5
	Speed	r/min	1130 / 1050 / 990	940 / 820 / 740	1060 / 910 / 790
Indoor air flow (Hi/Med/Lo) (No duct)		CFM	1082 / 912 / 703	1529 / 1117 / 735	2156 / 1709 / 1262
ESP	Range	ln. wg.	0-0.64	0-0.64	0-0.64
Indoor noise level (Hi/Med/Lo)		dB(A)	49.5 / 46.5 / 43.0	54.5 / 50.5 / 47.5	54.0 / 49.5 / 46.0
Indoor unit	Dimension (WxDxH)	inch	53.54x30.47x9.80	47.24x34.41x11.81	55.12x33.78x18.11
	Packing(WxDxH)	inch	61.8 x 31.7 x 13.0	55.3 x 36.0 x 14.4	63.2 x 35.8 x 12.1
	Net/Gross weight	lbs.	110.89 / 128.09	119.71 / 141.76	174.60 / 200.40
Design pressure		PSIG	550 / 340	550 / 340	550 / 340
Drainage water pipe diameter		inch	ODΦ1	ODΦ1	ODΦ1
Refrigerant piping	Liquid side/ Gas side	inch	Φ3/8 / Φ 5/8	Φ3/8 / Φ 5/8	Φ3/8 / Φ 5/8
Controller			Wired Control	Wired control	Wired control
Indoor	Cooling	°F	62 ~ 90	62 ~ 90	62 ~ 90
	Heating	°F	32 ~ 86	32 ~ 86	32 ~ 86
Outdoor	Cooling	°F	-22 ~ 122	-22 ~ 122	-22 ~ 122
	Heating	°F	-22 ~ 75	-22 ~ 75	-22 ~ 75

Outdoor Heat Pump Specifications

System Model		36HCHP0-HH-SYS	48HCHP0-HH-SYS	60HCHP0-HH-SYS	
Indoor Model		36HCHP0-C-M-A	48HCHP0-C-M-A	60HCHP0-C-M-A	
Outdoor Model		MSH-36HD-A	MSH-48HD-A	MSH-60HD-A	
Power supply	V/Hz/Ph	208/230/60/1	208/230/60/1	208/230/60/1	
Max. fuse	A	50	50	60	
Minimum circuit ampacity	A	40	40	44	
Compressor	Model	EAPQ420D1UMUA	EAPQ420D1UMUA	EAPQ440D1UMUA	
	Type	ROTARY	ROTARY	ROTARY	
	Brand	GMCC	GMCC	GMCC	
	Capacity	Btu/h	44015	44015	46335
	Input	W	3565	3565	3770
	Rated current (RLA)	A	32.0	33.0	33.5
	Refrigerant oil	ml	1460+-15ml EO VG74	1460+-15ml EO VG74	POE VG75/1300
Outdoor fan motor	Model	ZKFN-300-8-1	ZKFN-560-8-1-1	ZKFN-85-8-22-5	
	Qty		2	2	
	Input	W	126	126	
	RLA	A	1.2	1.2	
	Speed	r/min	900/850/800/750	900/850/800/750	850/700
Outdoor air flow (Max.)	CFM	4500	4500	4235	
Outdoor noise level		dB(A)	63	65	60.5
Throttle type			Capillary +EXV	Capillary +EXV	Capillary +EXV
Outdoor unit	Dimension (W×D×H)	inch	37.48x16.34x52.48	37.48x16.34x52.48	37.48x16.34x52.48
	Packing (W×D×H)	inch	43.1 x 19.5 x 58.3	43.1 x 19.5 x 58.3	43.1 x 19.5 x 58.3
	Net/ Gross weight	lbs.	220.2 / 248.0	227.1 / 255.7	240.7 / 271.6
Refrigerant	Type/Precharge	Oz	R410A / 148.4	R410A / 148.2	R410A / 169.32
Refrigerant precharge		ft	25	25	25
Additional charge for each ft		oz	0.32	0.32	0.32
Design pressure		PSIG	550 / 340	550 / 340	550 / 340
Refrigerant piping	Liquid / Suction	inch	3/8" / 5/8"	3/8" / 5/8"	3/8" / 7/8"
	Max. pipe length	ft	213	213	213
	Max. vertical lift	ft	98	98	98
Ambient Range	Cooling	°F	- 22~122	- 22~122	- 22~122
	Heating	°F	- 22~75	- 22~75	- 22~75

HCHP

Fan Performance Chart

Fan Coil	CFM at Rated Point	Fan Speed	ESP at Rated Point				ESP Range
			SP1	SP2	SP3	SP4	
9HCHP0-C-M-A	353	High	0.068	0.104	0.128	0.176	0 - 0.20"
	282	Medium					
	176	Low					
12HCHP0-C-M-A	353	High	0.068	0.104	0.128	0.176	0 - 0.20"
	282	Medium					
	176	Low					
18HCHP0-C-M-A	529	High	0.096	0.168	0.288	0.392	0 - 0.40"
	450	Medium					
	370	Low					
24HCHP0-C-M-A	776	High	0.100	0.216	0.336	0.528	0 - 0.64"
	694	Medium					
	435	Low					
36HCHP0-C-M-A	1,082	High	0.168	0.312	0.480	0.620	0 - 0.64"
	912	Medium					
	703	Low					
48HCHP0-C-M-A	1,229	High	0.180	0.404	0.616	0.640	0 - 0.64"
	1,032	Medium					
	715	Low					
60HCHP0-C-M-A	1,229	High	0.180	0.404	0.616	0.640	0 - 0.64"
	1,032	Medium					
	715	Low					

HCHP-HH-SYS

System Performance

Hyper Heat Systems							
System	Indoor Fan Coil	Outdoor HP	SEER2	EER2	HSPF2	BTU Cooling	BTU Heating
9HCHP0-HH-SYS	9HCHP0-C-M-A	MSH-09HD-A	20.20	13.2	12.0	9,000	10,000
12HCHP0-HH-SYS	12HCHP0-C-M-A	MSH-12HD-A	19.50	11.7	10.0	12,000	12,500
18HCHP0-HH-SYS	18HCHP0-C-M-A	MSH-18HD-A	18.00	11.7	9.5	17,000	19,000
24HCHP0-HH-SYS	24HCHP0-C-M-A	MSH-24HD-A	19.20	12.0	10.5	24,000	25,000
36HCHP0-HH-SYS	36HCHP0-C-M-A	MSH-36HD-A	16.50	9.0	11.0	36,000	42,000
48HCHP0-HH-SYS	48HCHP0-C-M-A	MSH-48HD-A	14.30	8.2	10.3	48,000	52,000
60HCHP0-HH-SYS	60HCHP0-C-M-A	MSH-60HD-A	15.80	9.4	9.5	55,000	57,000



Cooling Expanded Ratings

3/4 ton - 1 1/2 ton

Model	Cooling			Outdoor DB							
	Indoor			55F	65F	75F	85F	95F	105F	115F	122F
	DB	WB									
9HCHPO-HH-SYS	65F	54F	TC	10.71	10.96	11.37	11.65	10.40	8.83	7.60	6.49
			SC	8.75	9.20	9.65	9.89	8.71	7.28	6.46	5.52
	70F	59F	TC	11.39	11.63	11.86	11.90	11.08	9.54	8.23	7.06
			SC	9.17	9.55	10.06	10.17	9.38	8.11	7.00	6.00
	75F	63F	TC	11.93	12.11	12.28	12.44	11.32	9.80	8.86	7.63
			SC	9.71	10.09	10.48	10.64	9.51	8.33	7.53	6.49
	80F	67F	TC	12.63	12.74	12.67	12.80	11.99	10.88	9.49	8.21
			SC	10.19	10.54	10.81	10.92	10.23	9.25	8.07	6.98

Model	Cooling			Outdoor DB							
	Indoor			55F	65F	75F	85F	95F	105F	115F	122F
	DB	WB									
12HCHPO-HH-SYS	65F	54F	TC	11.04	11.29	11.71	12.01	10.72	9.097	7.833	6.684
			SC	9.014	9.474	9.936	10.18	8.974	7.498	6.658	5.681
	70F	59F	TC	11.74	11.98	12.22	12.25	11.41	9.829	8.482	7.274
			SC	9.447	9.832	10.36	10.48	9.665	8.355	7.21	6.183
	75F	63F	TC	12.29	12.47	12.65	12.81	11.66	10.09	9.131	7.865
			SC	10	10.4	10.8	10.96	9.794	8.579	7.762	6.685
	80F	67F	TC	13.01	13.13	13.05	13.19	12.35	11.2	9.78	8.456
			SC	10.5	10.86	11.14	11.25	10.54	9.527	8.313	7.187

Model	Cooling			Outdoor DB							
	Indoor			55F	65F	75F	85F	95F	105F	115F	122F
	DB	WB									
18HCHPO-HH-SYS	65F	54F	TC	14.76	14.75	15.22	16.03	15.59	13.49	10.83	7.644
			SC	12.13	12.56	12.99	13.72	13.6	11.78	9.458	6.671
	70F	59F	TC	15.67	15.97	16.26	16.69	16.73	14.65	11.98	8.782
			SC	13.04	13.47	14.12	14.78	14.66	12.89	10.54	7.728
	75F	63F	TC	16.64	16.92	17.2	17.76	18	15.81	13.13	9.919
			SC	14.11	14.68	15.25	16.09	15.74	14	11.62	8.784
	80F	67F	TC	17.83	18.1	18.1	18.58	19.04	16.97	14.28	11.06
			SC	15.11	15.51	16.26	17.14	17.02	15.11	12.71	9.84

LEGEND

DB --- Dry Bulb

WB --- Wet Bulb

TC --- Total Net Capacity (1000 Btu/hour)

SC --- Sensible Capacity (1000 Btu/hour)

Input --- Total Power (kW)

Cooling Expanded Ratings

2 ton - 4 ton

Model	Cooling		Outdoor DB								
	Indoor		55F	65F	75F	85F	95F	105F	115F	122F	
	DB	WB									
24HCHP0-HH-SYS	65F	54F	TC	20.48	20.06	19.95	19.79	18.03	15.7	14.614	13.62
			SC	15.32	15.12	14.93	14.81	13.5	11.77	10.959	10.22
	70F	59F	TC	22.67	22.66	22.64	21.96	20.94	17.41	14.95	13.94
			SC	16.8	16.75	16.94	16.57	18.5	13.06	11.212	10.46
	75F	63F	TC	24.59	24.89	25.18	24.67	22.06	19.12	15.285	14.26
			SC	18.5	18.73	18.96	18.62	17.76	14.34	11.464	10.69
	80F	67F	TC	26.83	27.44	27.65	27.04	22.9	20.83	15.621	14.58
			SC	20.11	20.55	20.82	20.36	17.24	15.62	11.716	10.93

Model	Cooling		Outdoor DB								
	Indoor		55F	65F	75F	85F	95F	105F	115F	122F	
	DB	WB									
36HCHP0-HH-SYS	65F	54F	TC	37.23	37.06	36.88	34.21	33.01	29.88	26.28	24.29
			SC	30.36	30.34	30.60	28.75	28.48	26.72	25.76	24.09
	70F	59F	TC	38.62	38.44	38.26	35.87	34.42	31.00	27.26	25.06
			SC	31.03	31.01	31.27	29.69	29.27	27.31	26.33	24.91
	75F	63F	TC	40.06	39.88	39.69	37.41	35.71	32.50	28.58	26.00
			SC	31.71	31.69	31.96	30.51	29.91	28.21	27.19	25.73
	80F	67F	TC	42.42	42.23	42.03	39.82	37.81	34.79	30.59	27.53
			SC	32.43	32.41	32.69	31.37	30.59	29.16	28.12	27.25

Model	Cooling		Outdoor DB								
	Indoor		55F	65F	75F	85F	95F	105F	115F	122F	
	DB	WB									
48HCHP0-HH-SYS	65F	54F	TC	46.37	46.42	46.47	43.52	42.15	38.16	27.85	25.74
			SC	36.71	36.89	37.42	35.50	35.31	33.12	26.50	25.43
	70F	59F	TC	49.07	49.12	49.18	46.55	44.84	40.38	29.47	27.09
			SC	38.27	38.46	39.01	37.40	37.00	34.53	27.63	26.69
	75F	63F	TC	51.93	51.98	52.04	49.52	47.45	43.19	31.52	28.67
			SC	39.90	40.10	40.67	39.20	38.58	36.38	29.11	28.10
	80F	67F	TC	55.54	55.59	55.66	53.24	50.75	46.69	34.07	30.66
			SC	42.04	42.25	42.85	41.53	40.65	38.75	31.00	30.05

LEGEND

DB --- Dry Bulb

WB --- Wet Bulb

TC --- Total Net Capacity (1000 Btu/hour)

SC --- Sensible Capacity (1000 Btu/hour)

Input --- Total Power (kW)

Heating Expanded Ratings

3/4 ton - 1 1/2 ton

Model	Heating		Outdoor conditions (DB)														
	Indoor DB		-22F	-13F	-5F	0F	5F	17F	19.4F	24.8F	32F	35F	39.2F	44.6F	47F	53.6F	57F
9HCHPO-HH-SYS	60F	TC	6.10	7.93	11.38	12.33	12.71	14.01	14.35	14.39	14.43	14.68	14.95	15.09	15.29	15.64	16.03
		Input	1.53	1.61	1.91	1.88	1.92	1.74	1.76	1.62	1.39	1.38	1.35	1.21	1.19	1.15	1.15
	65F	TC	5.87	7.64	10.81	11.59	12.17	13.61	13.48	13.96	14.39	14.56	14.78	15.00	15.18	15.51	15.90
		Input	1.72	1.64	1.80	1.90	1.94	1.78	1.76	1.68	1.44	1.42	1.37	1.28	1.25	1.22	1.22
	70F	TC	5.74	7.34	10.40	11.21	11.82	13.27	13.67	13.92	14.17	14.43	14.62	14.80	14.96	15.28	15.66
		Input	1.59	1.69	1.81	1.94	1.97	1.82	1.85	1.73	1.47	1.43	1.37	1.30	1.28	1.25	1.25
	75F	TC	5.44	7.02	10.24	11.70	12.35	13.10	13.21	13.79	13.98	14.21	14.48	14.69	14.84	15.13	15.51
		Input	1.67	1.70	1.83	1.93	1.96	1.85	1.88	1.78	1.53	1.50	1.45	1.32	1.31	1.28	1.28

Model	Heating		Outdoor conditions (DB)														
	Indoor DB		-22F	-13F	-5F	0F	5F	17F	19.4F	24.8F	32F	35F	39.2F	44.6F	47F	53.6F	57F
12HCHPO-HH-SYS	60F	TC	6.93	8.83	11.90	13.28	13.83	14.07	14.16	14.69	14.99	15.08	15.33	15.42	15.81	16.14	16.55
		Input	1.69	1.61	1.77	1.84	1.88	1.74	1.77	1.76	1.55	1.52	1.49	1.29	1.25	1.23	1.22
	65F	TC	6.76	8.43	11.59	12.40	13.60	13.96	14.13	14.54	14.85	14.96	15.10	15.25	15.46	15.77	16.17
		Input	1.67	1.66	1.79	1.86	1.91	1.80	1.83	1.87	1.63	1.59	1.54	1.35	1.30	1.28	1.27
	70F	TC	6.45	8.38	10.70	11.68	12.31	13.66	13.96	14.31	14.50	14.65	14.83	14.99	15.23	15.46	15.85
		Input	1.60	1.69	1.82	1.91	1.94	1.85	1.87	1.96	1.66	1.63	1.60	1.39	1.35	1.33	1.31
	75F	TC	6.11	7.89	9.26	11.26	12.15	12.86	13.29	14.02	14.32	14.36	14.47	14.59	14.65	14.88	15.25
		Input	1.53	1.62	1.70	1.90	1.93	1.87	1.89	2.00	1.78	1.69	1.59	1.41	1.36	1.33	1.32

Model	Heating		Outdoor conditions (DB)														
	Indoor DB		-22F	-13F	-5F	0F	5F	17F	19.4F	24.8F	32F	35F	39.2F	44.6F	47F	53.6F	57F
18HCHPO-HH-SYS	60F	TC	10.92	12.99	16.80	19.40	20.58	21.80	22.09	22.29	22.70	23.10	23.72	24.76	25.01	25.50	26.14
		Input	2.59	2.56	3.04	3.08	3.09	3.08	2.84	2.79	2.57	2.46	2.39	2.18	2.08	1.98	2.03
	65F	TC	10.82	12.92	16.51	19.01	20.25	20.90	21.19	21.70	21.93	22.21	22.76	23.85	24.08	24.51	25.13
		Input	2.61	2.68	3.06	3.19	3.14	3.17	2.96	2.90	2.60	2.49	2.49	2.19	2.12	2.07	2.12
	70F	TC	10.61	12.50	14.96	18.11	19.58	20.50	20.71	20.97	21.31	21.68	22.11	22.79	22.93	23.40	23.99
		Input	2.64	2.73	2.86	3.19	3.35	3.23	3.05	2.95	2.67	2.55	2.52	2.29	2.16	2.04	2.02
	75F	TC	10.36	11.93	13.63	16.77	17.33	19.25	19.78	20.03	20.68	20.89	21.35	22.09	22.31	22.54	23.10
		Input	2.68	2.70	2.68	3.15	3.12	3.26	3.10	2.92	2.74	2.63	2.55	2.21	2.16	2.05	2.10

LEGEND

DB --- Dry Bulb

WB --- Wet Bulb

TC --- Total Net Capacity (1000 Btu/hour)

Input --- Total Power (kW)

COP --- W/W

Heating Expanded Ratings

2 ton - 4 ton

Model	Heating		Outdoor conditions (DB)														
	Indoor DB		-22F	-13F	-5F	0F	5F	17F	19.4F	24.8F	32F	35F	39.2F	44.6F	47F	53.6F	57F
24HCHPO-HH-SYS	60F	TC	15.62	18.78	21.64	24.68	25.69	26.65	27.04	27.27	28.54	31.12	33.08	34.73	35.25	35.73	36.62
		Input	3.12	3.28	3.53	3.84	3.80	3.51	3.31	3.19	3.21	3.13	2.98	2.89	2.86	2.86	2.82
	65F	TC	15.51	18.23	21.33	23.61	25.03	25.46	26.55	26.95	27.55	30.23	32.08	33.43	33.86	34.43	35.29
		Input	3.38	3.55	3.71	3.88	3.84	3.60	3.39	3.35	3.28	3.26	3.06	3.01	2.95	2.91	2.88
	70F	TC	15.38	18.11	21.25	23.22	24.48	24.85	25.49	26.18	26.49	29.10	31.00	32.36	32.78	33.36	34.19
		Input	3.41	3.58	3.79	3.96	3.89	3.67	3.54	3.52	3.36	3.35	3.22	3.12	3.06	3.02	2.99
	75F	TC	15.02	17.66	20.63	23.14	23.56	23.97	24.44	25.90	26.44	28.50	30.28	31.37	31.89	32.48	33.29
		Input	3.52	3.71	3.91	4.04	3.91	3.78	3.63	3.61	3.50	3.42	3.38	3.18	3.12	3.08	3.05

Model	Heating		Outdoor conditions (DB)														
	Indoor DB		-22F	-13F	-5F	0F	5F	17F	19.4F	24.8F	32F	35F	39.2F	44.6F	47F	53.6F	57F
36HCHPO-HH-SYS	60F	TC	27.32	33.47	40.98	41.63	43.02	48.58	48.93	49.52	50.43	50.82	51.45	51.63	51.26	52.13	52.60
		Input	5.77	5.78	6.03	5.80	5.51	5.83	5.69	5.28	4.93	4.80	4.57	4.39	4.32	4.16	4.12
	65F	TC	26.83	32.75	39.98	40.97	41.97	47.35	47.64	48.17	49.20	49.53	50.09	50.22	50.41	51.36	51.98
		Input	5.88	5.93	6.16	5.91	5.66	5.97	5.80	5.42	5.04	4.90	4.69	4.49	4.41	4.26	4.21
	70F	TC	26.38	32.18	39.24	40.09	40.94	46.06	46.34	46.99	47.86	48.23	48.73	49.38	49.66	50.65	51.41
		Input	6.00	6.08	6.30	6.03	5.80	6.10	5.92	5.56	5.15	5.00	4.81	4.59	4.50	4.37	4.31
	75F	TC	25.54	31.18	38.06	38.93	39.67	44.68	45.00	45.54	46.43	46.74	47.27	47.95	48.17	49.19	49.82
		Input	6.15	6.24	6.47	6.20	5.95	6.26	6.08	5.71	5.28	5.13	4.94	4.71	4.63	4.48	4.42

Model	Heating		Outdoor conditions (DB)														
	Indoor DB		-22F	-13F	-5F	0F	5F	17F	19.4F	24.8F	32F	35F	39.2F	44.6F	47F	53.6F	57F
48HCHPO-HH-SYS	60F	TC	32.12	40.23	49.76	51.01	52.03	57.42	57.66	58.81	60.69	61.37	62.26	63.95	63.77	64.41	52.60
		Input	6.78	6.55	6.75	6.55	6.28	6.44	6.36	6.09	5.88	5.81	5.63	5.52	5.48	5.27	4.12
	65F	TC	31.64	39.59	48.93	49.91	50.86	56.19	56.26	57.49	59.38	59.99	60.92	62.39	62.77	63.52	51.98
		Input	6.92	6.71	6.90	6.69	6.44	6.58	6.49	6.25	6.01	5.92	5.77	5.64	5.59	5.40	4.21
	70F	TC	31.17	38.97	48.11	48.70	49.28	54.45	54.99	56.25	57.93	58.64	59.61	60.87	61.42	62.64	51.41
		Input	7.06	6.89	7.06	6.82	6.61	6.73	6.63	6.41	6.15	6.05	5.92	5.77	5.71	5.54	4.31
	75F	TC	29.93	37.60	46.67	46.75	47.56	52.81	52.52	53.72	55.61	56.59	56.63	57.52	58.35	60.14	49.82
		Input	7.30	7.12	7.30	7.07	6.82	6.95	6.84	6.61	6.35	6.25	6.12	5.97	5.89	5.72	4.42

LEGEND

DB --- Dry Bulb

WB --- Wet Bulb

TC --- Total Net Capacity (1000 Btu/hour)

Input --- Total Power (kW)

COP --- W/W

Control Options

Part Number	Description
MWRC	Wireless infrared remote controller with timer, sleep function, follow me and turbo function.
SWC120LR	Standard wired wall controller with operation mode control, timer and follow me functions.
DWC120X2	Deluxe wired wall controller with programmable weekly timer, auto-restart, child lock, and follow me functions. The DWC120X2 also functions as a receiver for the MWRC remote controller.
WFI-A	Interface module that will allow the system to connect to WiFi.
M24V-INT	24V Interface Kit that allows the use of a conventional 24V thermostat with an HCHP system.



MWRC
Wireless Remote



SWC120LR
Standard Wired
Wall Controller



WFI-A
WiFi Interface
Module



DWC120X2
Deluxe Wired Wall



M24V-INT
24V Interface Kit

Solid Ceiling Access Panels

Standard Features

Design

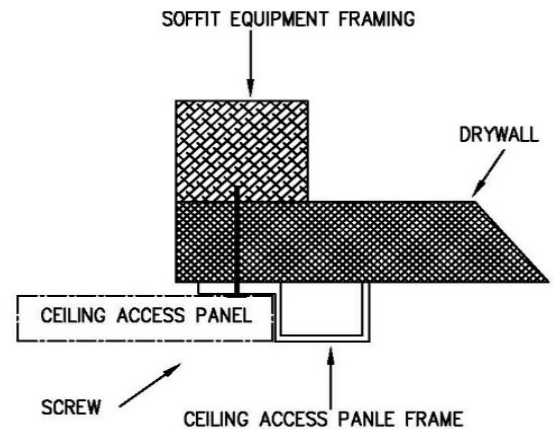
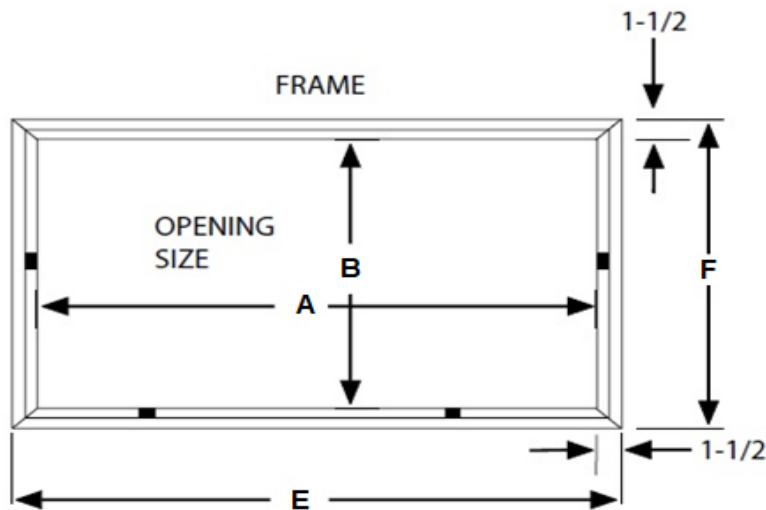
- Interior Panel Braces
- Integrated Clips in Panel Frame
- Single Piece Wrapped Frame with 90° Squared Corner Seams
- Captive Screw Retainers

Materials

- Heavy Gauge Galvanized Steel Construction with Off-White Powder Paint Finish
- Stainless Steel Screws with Protective Washers

Packaging

- Individually Wrapped and Individually Boxed
- Interior Glossy Label with Panel Model Number and Barcode



PANEL MODEL NUMBER	INSIDE FRAME		OUTSIDE FRAME		FAN COIL MODELS
	A	B	E	F	
CAP4824-S	48	24	51	27	9HCHPO-C-M-A, 12HCHPO-C-M-A
CAP5531-S	55	31	58	34	18HCHPO-C-M-A
CAP6435-S	64	35	67	38	24HCHPO-C-M-A
CAP7435-S	74	35	77	38	36HCHPO-C-M-A
CAP6839-S	68	39	71	42	48HCHPO-C-M-A
CAP7538-S	75	38	78	41	60HCHPO-C-M-A





2480 Grand Avenue

Vista, CA 92081

Phone (760) 670-3005

Fax (760) 670-3307

www.multimfg-usa.com