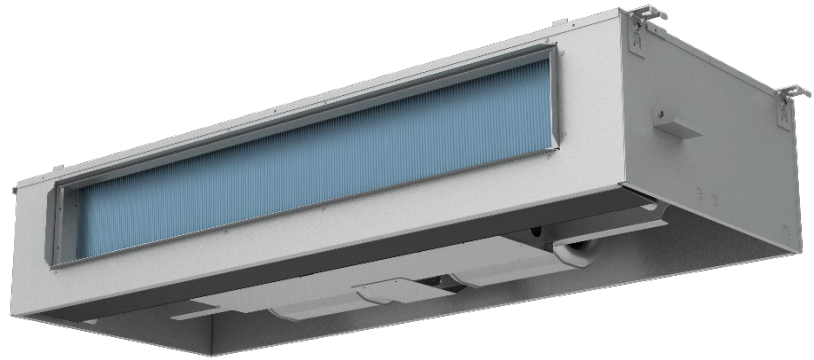




HSHP-HE

High Efficiency Horizontal Soffit Mount System



High Efficiency, with available Factory Installed Auxiliary Electric Heat

1.50 Ton - 3.00 Ton, with Efficiencies up to 16.50 SEER2 and 10.0 EER2



The HSHP is a highly efficient split system, with a horizontal ceiling mount soffit mount fan coil and an outdoor side discharge heat pump unit. The indoor fan coil can be installed in various locations, and is designed for standard bottom return air. This system supplies comfortable cooling and heating performance at low sound levels.

Typical installations for the HSHP include:

- Apartments
- Condominiums
- Independent Care Facilities
- Pre Manufactured Homes
- Single Family Home Additions
- Modular Buildings
- Student Housing
- Offices
- Stores



Features

Highly Efficient / High Performance

- Highly Efficient Inverter Compressor, with Efficiencies up to 16.50 SEER2
- Air Handler EC Blower Motor, with Available ESP up to 0.80" WC
- Low Amp Draw DC motor in Outdoor HP
- Energy Star on all models

Quiet Operation, Inside and Outside

- Low Sone EC motor in HSHP Fan Coil
- Quiet Inverter Compressor in Outdoor Heat Pump, with low Sound Levels

Heating at Low Ambient Conditions

- Standard Base Pan Heaters
- Available Factory Installed Electric Heat

Fresh Air

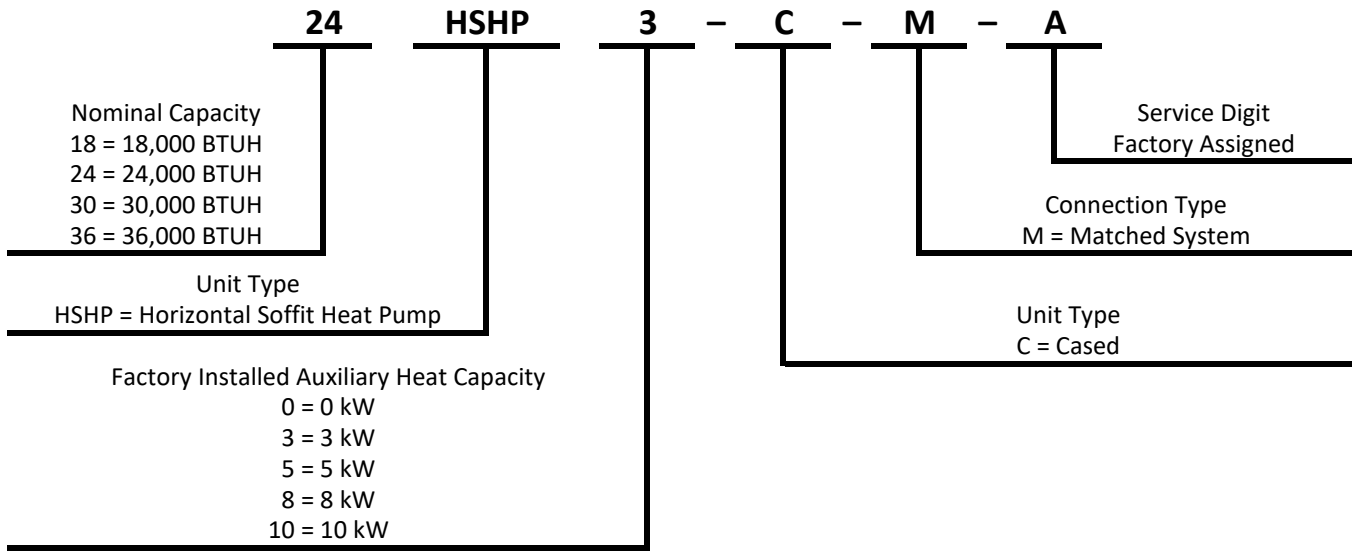
- Optional Field Install OSA Fan-Assisted Fresh Air Package is available

Design

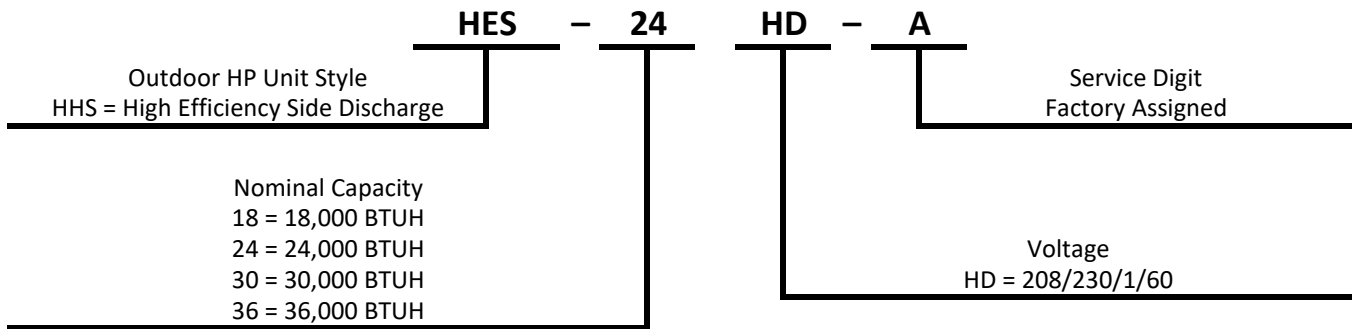
- Standard Bottom Return Air or Ducted Return Air Available
- Automatic Restart Function
- 24V Control Board with High, Medium and Low Motor Speed Taps
- Suction Line Service Port
- Pre-Coated Fins on Evaporator and Condenser Coils
- Crankcase Heater
- Compressor Time Delay
- Compressor Overload and Over Current Protection

Nomenclature

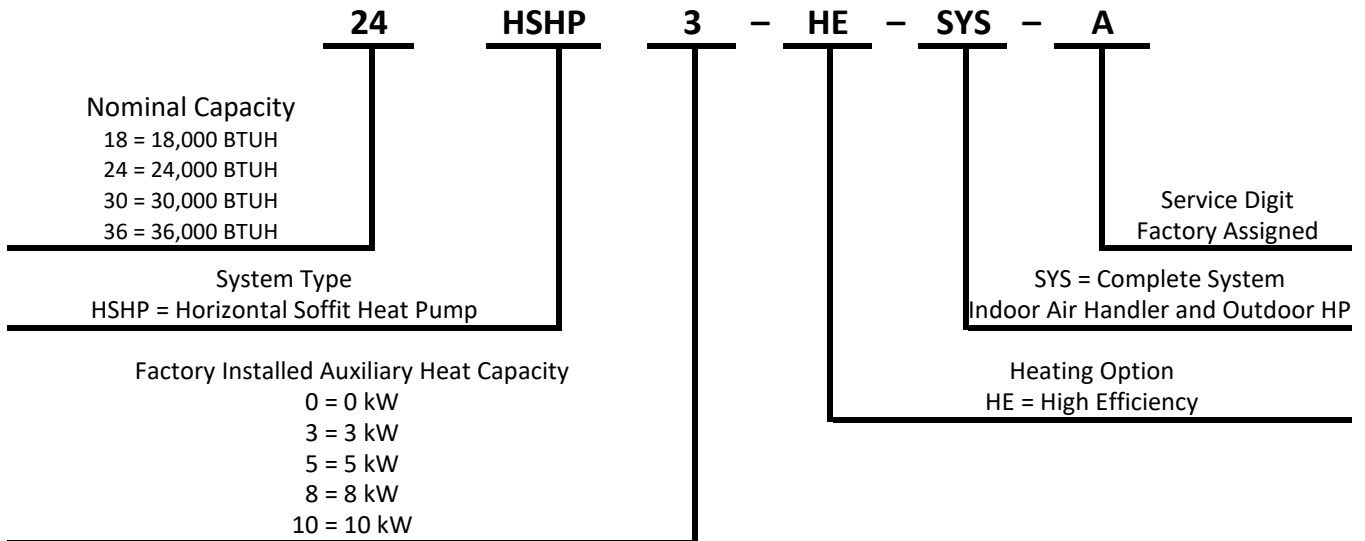
Indoor Unit



Outdoor Unit



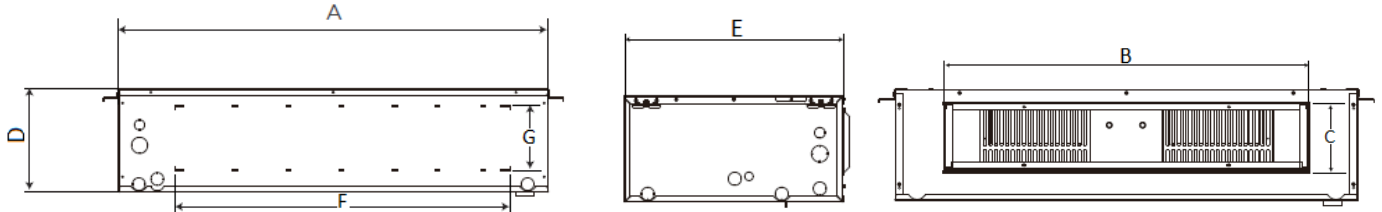
System



HSHP

1.50 ton - 3.00 ton Heat Pump Fan Coils

Dimensional and Electrical Data



Model Number	Height	Width	Depth	Supply Opening		Return Air Knockout		Weight
	D	A	E	Height (C)	Width (B)	Height (G)	Width (F)	
18HSHP*-C-M-A	10.94	39.94	23.3	6.88	30.3	7.0	28.0	110
24HSHP*-C-M-A	10.94	45.88	23.3	6.88	36.2	7.0	33.9	115
30HSHP*-C-M-A	10.94	51.94	23.3	6.88	42.3	7.0	40.0	125
36HSHP*-C-M-A	10.94	58.88	23.3	6.88	49.2	7.0	46.9	145

All Condensate Drain Connections are 3/4" MPT

Model Number	Electric Heat		Total Amps		Min. Cir. Ampacity		Max Fuse Size	
	kW	BTUH	208V	240V	208V	240V	208V	240V
18HSHP*-C-M-A	0	0	0.6	0.6	0.8	0.8	Fan Coil Powered Solely by Outdoor HP	
	3	10200	10.9	12.0	15.0	16.0	20	20
	5	20400	18.1	19.7	22.0	24.0	25	30
	8	27300	28.3	30.9	32.0	35.0	40	45
	10	34100	36.7	42.0	45.9	52.9	45	50
24HSHP*-C-M-A	0	0	1.2	1.2	1.5	1.5	Fan Coil Powered Solely by Outdoor HP	
	3	10200	10.9	12.0	15.0	16.0	20	20
	5	20400	18.1	19.7	22.0	24.0	25	30
	8	27300	28.3	30.9	32.0	35.0	40	45
	10	34100	36.7	42.0	45.9	52.9	45	50
30HSHP*-C-M-A	0	0	1.6	1.6	2.0	2.0	Fan Coil Powered Solely by Outdoor HP	
	3	10200	10.9	12.0	15.0	16.0	20	20
	5	20400	18.1	19.7	22.0	24.0	25	30
	8	27300	28.3	30.9	32.0	35.0	40	45
	10	34100	36.7	42.0	45.9	52.9	45	50
36HSHP*-C-M-A	0	0	2.1	2.1	2.6	2.6	Fan Coil Powered Solely by Outdoor HP	
	3	10200	10.9	12.0	15.0	16.0	20	20
	5	20400	18.1	19.7	22.0	24.0	25	30
	8	27300	28.3	30.9	32.0	35.0	40	45
	10	34100	36.7	42.0	45.9	52.9	45	50

Note: A Separate 208/230/1 Power Source is Required for Fan Coils with Auxiliary Electric Strip Heat.

HES

1.5 ton - 2.0 ton Heat Pump Outdoor Unit

Dimensional Data

Figure 1

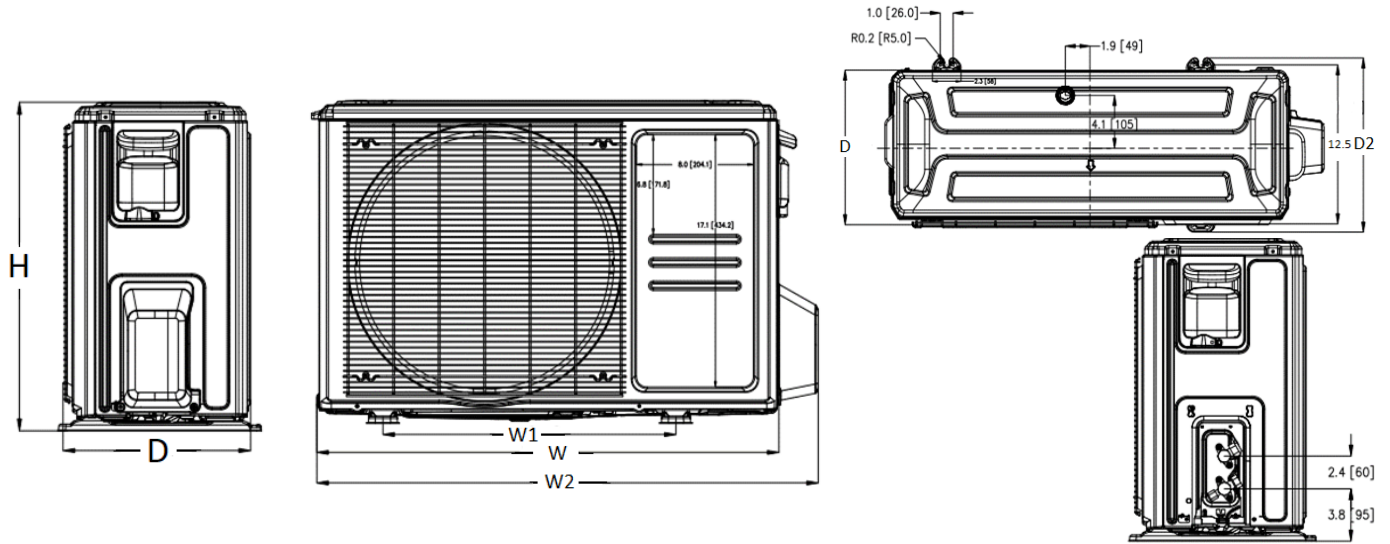
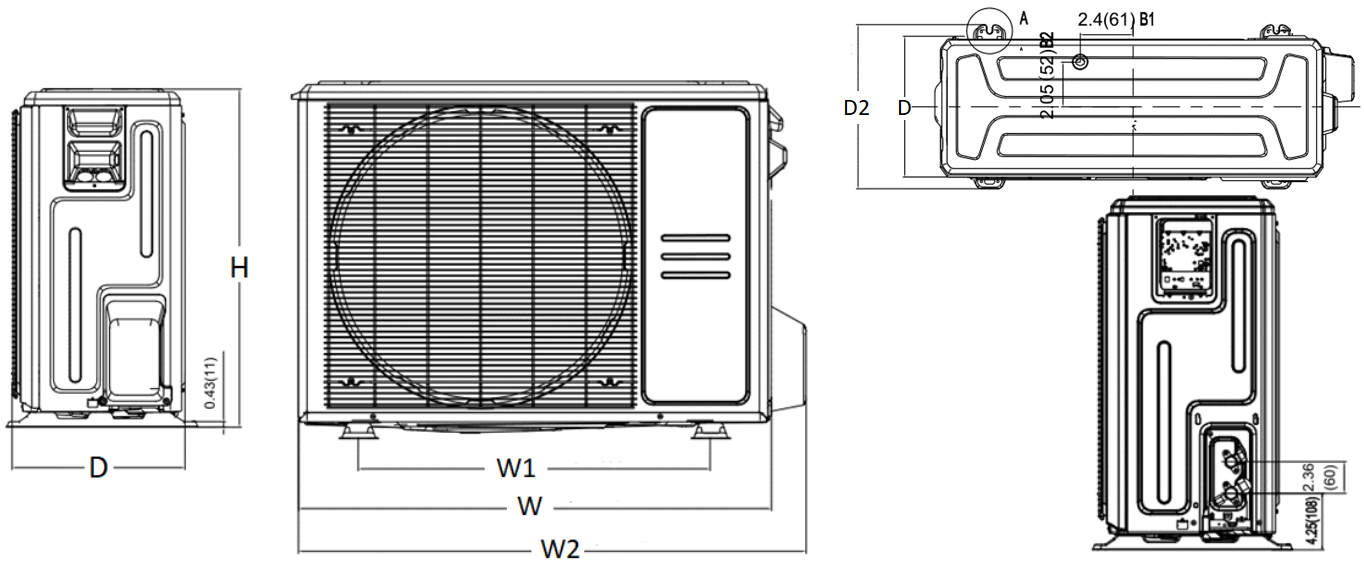


Figure 2

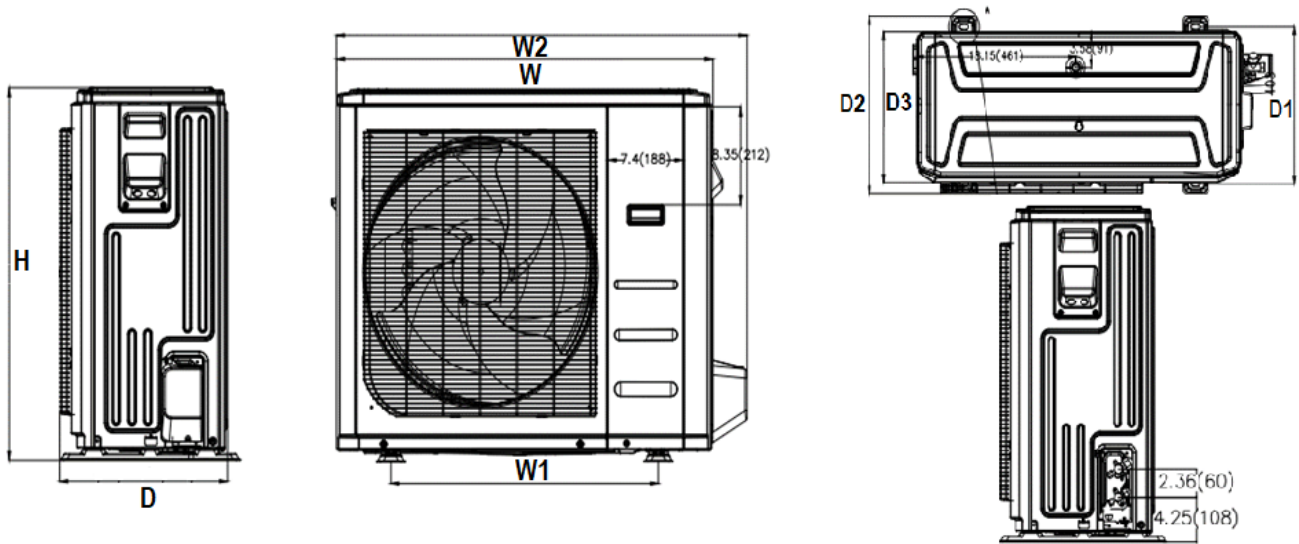


Unit	Figure	Unit Width (W)	Unit Width w/Elec (W2)	Unit Height (H)	Unit Depth (D)	Bracket Width (W1)	Bracket Depth (D2)	Weight (lbs)
HES-18HD-A	1	31.69	34.40	21.81	12.99	20.10	13.60	75.84
HES-24HD-A	2	35.04	37.60	26.50	13.46	26.10	14.95	102.29

Dimensions shown are in Inches

Dimensional Data

Figure 3



Unit	Figure	Unit Width (W)	Unit Width w/Elec (W2)	Unit Height (H)	Unit Depth (D)	Bracket Width (W1)	Bracket Depth (D2)	Weight (lbs)
HES-30HD-A	3	37.24	40.55	31.89	16.14	26.50	15.90	141.76
HES-36HD-A	3	37.24	40.55	31.89	16.14	26.50	15.90	151.68

Dimensions shown are in Inches



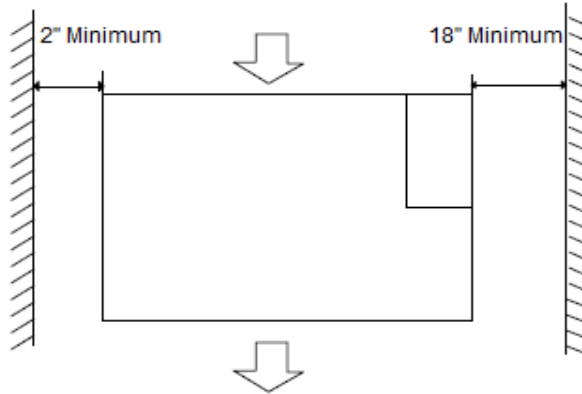
1.50 Ton - 3.00 Ton Outdoor Heat Pumps

Outdoor Heat Pump Specifications

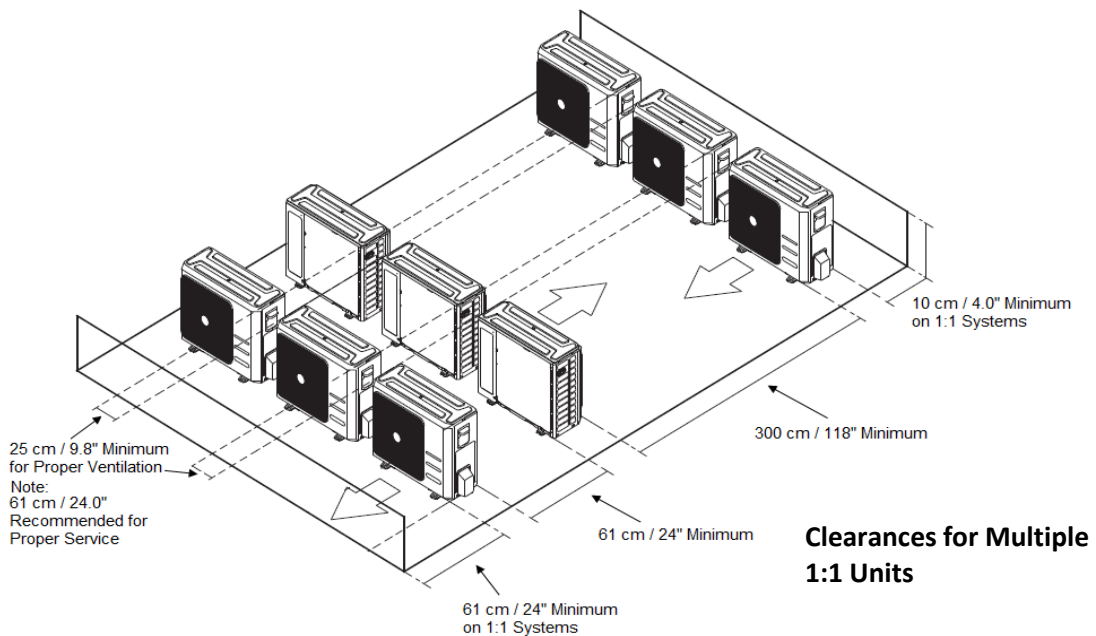
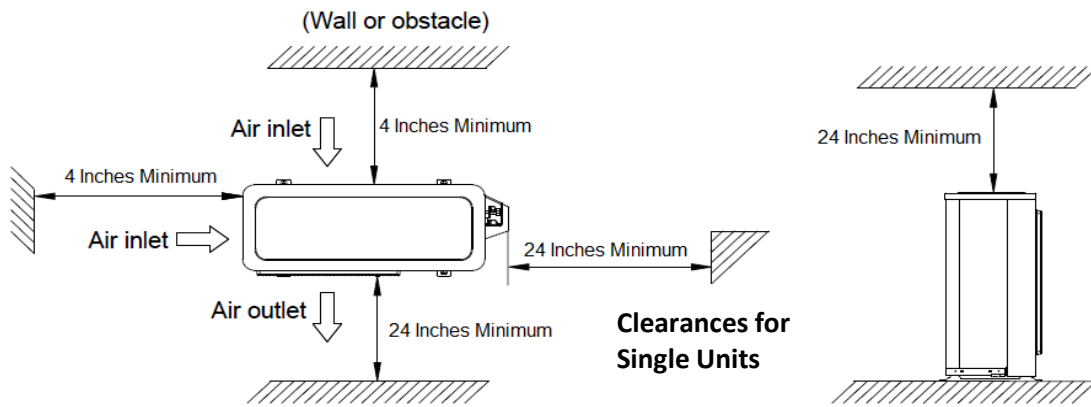
System Model			18HSHP*-HE-SYS-A	24HSHP*-HE-SYS-A	30HSHP*-HE-SYS-A	36HSHP*-HE-SYS-A
Indoor Model			18HSHP*-HP-A	24HSHP*-HP-A	30HSHP*-HP-A	36HSHP*-HP-A
Outdoor Model			HES-18HD-A	HES-24HD-A	HES-30HD-A	HES-36HD-A
Power supply		V/Hz/Ph	208/230/60/1	208/230/60/1	208/230/60/1	208/230/60/1
Cooling	Rated Capacity (Range)	Btu/h	18000(5350-18700)	24000(7500-26000)	30000(9482-33000)	36000(7700-38900)
	Input	W	1620	2120	2760	3750
	Rated current	A	7.5	9.7	12.2	15.8
	EER2	BTU/W	10.0	10.0	10.0	9.5
	SEER2	BTU/W	16.00	16.00	16.50	16.00
Heating at 47°F	Rated Capacity (Range)		18000 (5600-18700)	26000(5600-30000)	31000(12200-32000)	36000(6000-36400)
	Input	W	1510	2150	2850	3496
	Rated current	A	6.7	9.8	12.4	16.1
	COP	W/W	3.49	3.54	3.19	3
	HSPF2	BTU/W	8.0	8.1	8.2	8.0
Heating at 17°F	Capacity	BTU/H	12,000	21,000	18,000	19,000
	COP	W/W				
Heating at 5°F	Capacity	BTU/H	10,000	18,000	16,000	20000
	COP	W/W	1.9	2.0	1.7	1.8
Rated Input Current of the Power Conv Equip			1.0 A	3.0 A	3.5 A	3.5 A
Refrigerant	Type / Precharge	Oz	R410A / 56.44	R410A / 74.08	R410A / 107.59	R410A / 130.51
Refrigerant Precharge Length		ft	25	25	25	25
Additional charge for each ft		oz / ft	0.69	0.69	0.69	0.69
Refrigerant Piping	Liquid / Suction	inch	3/8 / 3/4	3/8 / 3/4	3/8 / 3/4	3/8 / 3/4
	Max. pipe length	ft	98	164	164	213
	Max. vertical lift	ft	66	82	82	98
Condensate Drain Connection		inch	3/4	3/4	3/4	3/4
Outdoor unit	Dimension (HxWxD)	inch	21.81 x 31.69 x 12.99	26.50 x 35.04 x 13.46	31.89 x 37.24 x 16.14	31.89 x 37.24 x 16.14
	Packing (HxWxD)	inch	24.2 x 36.0 x 14.6	29.1 x 39.2 x 15.7	34.8 x 42.9 x 19.7	34.8 x 42.9 x 19.7
	Net / Gross weight	lbs.	75.84 / 81.35	102.29 / 109.13	141.76 / 151.46	151.68 / 161.16
Design pressure		PSIG	340/550	340/550	340/550	340/550
Operating Temperature	Cooling	°F	5~122	5~122	5~122	5~122
	Heating	°F	5~75	5~75	5~75	5~75

Clearances

HSHP Indoor Units



HES Outdoor Units



HES

1.50 ton - 3.00 ton High Efficiency Heat Pump Outdoor Unit

Electrical and Piping Data

Model		HES-18HD-A	HES-24HD-A	HES-30HD-A	HES-36HD-A
Power Supply	V/Hz/Ph	208/230/60/1			
Compressor	Type	Inverter			
Noise Level	dB(A)	55	58	63	63
Liquid - Suction	Inch	3/8 - 3/4	3/8 - 3/4	3/8 - 3/4	3/8 - 3/4
Max Lineset Length	Feet	98	164	164	213
Max Lineset Vertical Lift	Feet	66	82	82	98
Refrigerant		R410a	R410a	R410a	R410a
Refrigerant Precharge	Ounces	56.44	74.08	107.59	130.51
Refrigerant Precharge	Feet	25	25	25	25
Additional Charge Per Foot	Oz	0.69	0.69	0.69	0.69
Design Pressure	Psi	550	550	550	550
Indoor Operating Range	Cooling DB Min / Max	60°F / 90°F	60°F / 90°F	60°F / 90°F	60°F / 90°F
	Heating DB Min / Max	32°F / 86°F	32°F / 86°F	32°F / 86°F	32°F / 86°F
Outdoor Operating Range	Cooling DB Min / Max	5°F / 122°F	5°F / 122°F	5°F / 122°F	5°F / 122°F
	Heating DB Min / Max	-13°F / 75°F	-13°F / 75°F	-13°F / 75°F	-13°F / 75°F

Systems with Indoor Air Handler Powered by Outdoor Heat Pump

Unit	V / PH	Oper Volts		Compressor	Fan	MCA	Max Fuse
		Max	Min	Input (W)	Input (W)		
HES-18HD-A	208/230/1	253	187	1085	100	16.0	20.0
HES-24HD-A		253	187	1945	88	19.0	30.0
HES-30HD-A		253	187	2080	150	20.0	35.0
HES-36HD-A		253	187	2080	150	24.0	40.0

MCA - Minimum Circuit Ampacity

Systems with Outdoor Heat Pump and Indoor Fan Coil with Individual Power Supply

Outdoor Heat Pump				Indoor Fan Coil		
Model	V / PH	MCA	Max Fuse	Model	MCA	Max Fuse
HES-18HD-A	208/230/1	14.1	20.0	18HSHP*-C-M-A	0.8	15.0
HES-24HD-A		15.9	25.0	24HSHP*-C-M-A	1.5	15.0
HES-30HD-A		17.2	30.0	30HSHP*-C-M-A	2.0	15.0
HES-36HD-A		21.1	30.0	36HSHP*-C-M-A	2.6	15.0

MCA - Minimum Circuit Ampacity

HSHP

Fan Coil Blower Performance

Fan Coil Blower Performance

Model Number	Motor HP	Speed	CFM @ Inches of WC External Static Pressure								
			0.00	0.10	0.20	0.30	0.40	0.50	0.60	0.70	0.80
18HSHP*-C-M-A	1/3	Special	602	594	603	600	594	594	609	610	604
		Special Setting	-8	-3	-2	0	3	5	7	8	11
		Turbo	754	690	633	600	554	494	467	450	383
		Watts	126	127	135	147	151	152	155	163	163
		High	715	651	593	559	513	454	426	409	341
		Watts	113	115	122	134	137	137	141	149	148
		Med-High	603	538	480	441	394	343	308	288	222
		Watts	80	83	89	99	102	100	106	112	106
		Low	491	426	368	324	276	236	192	165	104
Watts	51	57	62	68	72	73	77	83	70		
24HSHP*-C-M-A	1/3	Special	808	790	805	795	790	796	778	820	819
		Special Setting	-8	-3	-2	0	3	5	7	8	11
		Turbo	940	890	839	795	735	687	654	599	520
		Watts	171	179	187	194	203	216	228	229	219
		High	866	815	751	706	646	602	563	517	454
		Watts	139	146	154	161	169	179	190	196	197
		Med-Low	767	716	633	589	530	487	433	398	358
		Watts	100	106	114	119	127	129	136	147	164
		Low	596	546	427	383	331	287	190	170	172
Watts	39	44	51	55	61	45	38	56	103		
30HSHP*-C-M-A	1/2	Special	997	981	986	989	996	995	992	986	910
		Special Setting	-8	-3	-2	0	3	5	7	8	11
		Turbo	1117	1084	1045	989	956	875	825	789	758
		Watts	221	241	254	276	296	268	279	291	301
		High	1036	998	953	895	861	782	734	705	676
		Watts	195	214	227	248	268	239	252	267	279
		Med-Low	962	917	868	806	770	696	647	620	590
		Watts	155	173	184	203	221	195	209	226	239
		Low	746	679	612	541	492	438	380	342	295
Watts	84	94	99	109	116	114	122	131	138		
36HSHP*-C-M-A	1/2	Special	1184	1192	1201	1189	1180	1188	1201	1042	912
		Special Setting	-8	-3	-2	0	3	5	7	8	11
		Turbo	1312	1281	1261	1189	1157	1114	1061	991	899
		Watts	312	334	361	372	374	402	405	430	388
		High	1147	1067	1036	1001	912	856	795	778	715
		Watts	207	223	233	247	249	259	274	286	295
		Med-Low	978	883	836	795	700	644	591	521	445
		Watts	142	154	158	170	173	179	199	207	211
		Low	823	730	666	618	523	472	433	271	166
Watts	100	108	112	121	125	132	155	162	140		

HSHP-HE-SYS

System Performance

High Efficiency System	Indoor Fan Coil	Outdoor HP	SEER2	EER2	COP	HSPF2	BTU Cooling	BTU Heating	AHRI Reference Number
18HSHP*-HH-SYS	18HSHP*-C-M-A	HES-18HD-A	16.00	10.0	3.5	8.0	18,000	18,000	213804881
24HSHP*-HH-SYS	24HSHP*-C-M-A	HES-24HD-A	16.00	10.0	3.5	8.5	24,000	26,000	213804882
30HSHP*-HH-SYS	30HSHP*-C-M-A	HES-30HD-A	16.50	10.0	3.5	8.2	30,000	31,000	213804883
36HSHP*-HH-SYS	36HSHP*-C-M-A	HES-36HD-A	16.00	9.5	3.5	8.0	36,000	36,000	213804884

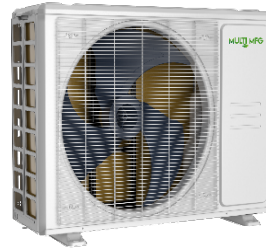
Fan Coil Noise Level (dBA)

Air Handler	dBA High
18HSHP*-C-M-A	39
24HSHP*-C-M-A	43
30HSHP*-C-M-A	47
36HSHP*-C-M-A	49



Outdoor Heat Pump Noise Level

Heat Pump	dBA
HES-18HD-A	55
HES-24HD-A	58
HES-30HD-A	63
HES-36HD-A	63



18HSHP-HE-SYS Expanded Cooling @ 488 CFM

CFM	ODDB	ID WB(°F)	60.8°F					67.0°F					71.6°F				
		ID DB(°F)	73.4°F	77.0°F	80.0°F	80.6°F	84.2°F	73.4°F	77.0°F	80.0°F	80.6°F	84.2°F	73.4°F	77.0°F	80.0°F	80.6°F	84.2°F
488	50°F	TC	15737	15758	15775	15776	15797	17682	17705	17725	17728	17748	18748	18768	18789	18792	18815
		S/T	0.45	0.53	0.60	0.60	0.69	0.51	0.60	0.68	0.68	0.77	0.54	0.63	0.72	0.72	0.82
		PI	0.78	0.78	0.78	0.78	0.78	0.88	0.88	0.88	0.88	0.88	0.93	0.93	0.93	0.93	0.93
	59°F	TC	15834	15856	15873	15874	15895	17792	17815	17835	17838	17858	18864	18884	18905	18908	18931
		S/T	0.45	0.53	0.61	0.61	0.69	0.51	0.60	0.68	0.68	0.78	0.54	0.63	0.72	0.72	0.82
		PI	0.82	0.82	0.82	0.82	0.82	0.92	0.92	0.92	0.92	0.92	0.98	0.98	0.98	0.98	0.98
	68°F	TC	15932	15953	15970	15971	15993	17901	17924	17944	17948	17968	18980	19000	19021	19024	19048
		S/T	0.47	0.55	0.62	0.62	0.71	0.52	0.61	0.70	0.70	0.80	0.56	0.65	0.74	0.74	0.84
		PI	0.86	0.86	0.86	0.86	0.86	0.97	0.97	0.97	0.97	0.97	1.02	1.02	1.03	1.03	1.03
	77°F	TC	16029	16051	16068	16069	16090	18010	18034	18054	18057	18077	19096	19116	19137	19140	19164
		S/T	0.47	0.55	0.63	0.63	0.72	0.53	0.62	0.71	0.71	0.81	0.56	0.66	0.75	0.75	0.86
		PI	0.90	0.90	0.90	0.90	0.90	1.01	1.01	1.01	1.01	1.01	1.07	1.07	1.07	1.07	1.07
	80°F	TC	16062	16084	16101	16102	16123	18048	18071	18091	18094	18115	19135	19156	19177	19180	19203
		S/T	0.48	0.56	0.64	0.64	0.73	0.54	0.63	0.72	0.72	0.82	0.57	0.67	0.76	0.76	0.87
		PI	0.91	0.91	0.91	0.91	0.92	1.02	1.03	1.03	1.03	1.03	1.09	1.09	1.09	1.09	1.09
	86°F	TC	16011	16032	16050	16050	16072	17990	18013	18033	18037	18057	19074	19094	19115	19118	19142
		S/T	0.48	0.57	0.65	0.65	0.74	0.54	0.64	0.73	0.73	0.83	0.58	0.68	0.77	0.77	0.88
		PI	1.16	1.16	1.17	1.17	1.17	1.31	1.31	1.31	1.31	1.31	1.39	1.39	1.39	1.39	1.39
	95°F	TC	15933	15954	15972	15972	15994	17902	17926	17946	17949	17969	18981	19002	19022	19025	19049
		S/T	0.48	0.57	0.65	0.65	0.74	0.54	0.64	0.73	0.73	0.83	0.58	0.68	0.77	0.77	0.88
		PI	1.54	1.54	1.55	1.55	1.55	1.73	1.74	1.74	1.74	1.74	1.84	1.84	1.84	1.84	1.84
	104°F	TC	14228	14247	14263	14263	14283	15987	16008	16026	16029	16046	16950	16969	16987	16990	17011
		S/T	0.50	0.58	0.66	0.66	0.76	0.56	0.65	0.74	0.74	0.85	0.59	0.69	0.79	0.79	0.90
		PI	1.47	1.47	1.47	1.47	1.47	1.65	1.65	1.65	1.65	1.66	1.75	1.75	1.75	1.75	1.75
110°F	TC	13205	13223	13237	13238	13256	14838	14857	14874	14876	14893	15732	15749	15766	15768	15788	
	S/T	0.51	0.60	0.69	0.69	0.78	0.58	0.68	0.77	0.77	0.88	0.61	0.72	0.82	0.82	0.93	
	PI	1.42	1.42	1.43	1.43	1.43	1.60	1.60	1.60	1.60	1.60	1.70	1.70	1.70	1.70	1.70	
115°F	TC	11338	11353	11365	11366	11381	12739	12756	12770	12772	12787	13507	13522	13536	13538	13555	
	S/T	0.52	0.61	0.69	0.69	0.79	0.59	0.69	0.78	0.78	0.89	0.62	0.73	0.83	0.83	0.94	
	PI	1.28	1.28	1.28	1.28	1.28	1.44	1.44	1.44	1.44	1.44	1.52	1.53	1.53	1.53	1.53	
122°F	TC	8848	8860	8869	8869	8881	9941	9954	9965	9967	9978	10540	10552	10563	10565	10578	
	S/T	0.53	0.63	0.71	0.71	0.81	0.60	0.70	0.80	0.80	0.91	0.63	0.75	0.85	0.85	0.97	
	PI	1.09	1.09	1.09	1.09	1.09	1.22	1.22	1.23	1.23	1.23	1.30	1.30	1.30	1.30	1.30	

TC:Total Cooling Capacity (BTU/hr)

S/T:Sensible Cooling Capacity Ratio

PI:Power Input(kW)

18HSHP-HE-SYS Expanded Cooling @ 529 CFM

CFM	ODDB	ID WB(°F)	60.8°F					67.0°F					71.6°F				
		ID DB(°F)	73.4°F	77.0°F	80.0°F	80.6°F	84.2°F	73.4°F	77.0°F	80.0°F	80.6°F	84.2°F	73.4°F	77.0°F	80.0°F	80.6°F	84.2°F
529	50°F	TC	16254	16276	16293	16294	16316	18263	18287	18307	18311	18331	19364	19385	19406	19409	19433
		S/T	0.47	0.55	0.62	0.62	0.71	0.52	0.62	0.70	0.70	0.80	0.56	0.65	0.74	0.74	0.85
		PI	0.81	0.81	0.81	0.81	0.81	0.91	0.91	0.91	0.91	0.91	0.96	0.96	0.96	0.96	0.96
	59°F	TC	16355	16376	16394	16395	16417	18376	18400	18420	18424	18444	19483	19504	19526	19529	19553
		S/T	0.47	0.55	0.63	0.63	0.71	0.53	0.62	0.70	0.70	0.80	0.56	0.66	0.75	0.75	0.85
		PI	0.85	0.85	0.85	0.85	0.85	0.95	0.95	0.95	0.95	0.95	1.01	1.01	1.01	1.01	1.01
	68°F	TC	16455	16477	16495	16496	16518	18489	18513	18534	18537	18558	19603	19624	19646	19649	19673
		S/T	0.48	0.57	0.64	0.64	0.73	0.54	0.64	0.72	0.72	0.82	0.57	0.67	0.77	0.77	0.87
		PI	0.89	0.89	0.89	0.89	0.89	1.00	1.00	1.00	1.00	1.00	1.06	1.06	1.06	1.06	1.06
	77°F	TC	16555	16578	16596	16596	16619	18602	18626	18647	18650	18671	19723	19744	19766	19769	19793
		S/T	0.49	0.57	0.65	0.65	0.74	0.55	0.64	0.73	0.73	0.83	0.58	0.68	0.78	0.78	0.88
		PI	0.93	0.93	0.93	0.93	0.93	1.04	1.04	1.05	1.05	1.05	1.11	1.11	1.11	1.11	1.11
	80°F	TC	16590	16612	16630	16631	16653	18640	18665	18685	18689	18710	19763	19785	19806	19810	19834
		S/T	0.49	0.58	0.66	0.66	0.75	0.56	0.65	0.74	0.74	0.84	0.59	0.69	0.78	0.79	0.89
		PI	0.94	0.94	0.94	0.94	0.95	1.06	1.06	1.06	1.06	1.06	1.12	1.12	1.12	1.12	1.13
	86°F	TC	16537	16559	16577	16577	16600	18581	18605	18626	18629	18650	19700	19722	19743	19746	19771
		S/T	0.50	0.59	0.67	0.67	0.76	0.56	0.66	0.75	0.75	0.85	0.60	0.70	0.79	0.80	0.91
		PI	1.20	1.20	1.20	1.20	1.21	1.35	1.35	1.35	1.35	1.35	1.43	1.43	1.43	1.43	1.44
	95°F	TC	16456	16478	16496	16497	16519	18490	18514	18535	18538	18559	19604	19626	19647	19650	19675
		S/T	0.50	0.59	0.67	0.67	0.76	0.56	0.66	0.75	0.75	0.85	0.60	0.70	0.79	0.80	0.91
		PI	1.59	1.60	1.60	1.60	1.60	1.79	1.79	1.79	1.79	1.80	1.90	1.90	1.90	1.90	1.90
	104°F	TC	14696	14715	14731	14732	14752	16512	16534	16552	16555	16574	17507	17526	17545	17548	17570
		S/T	0.51	0.60	0.68	0.68	0.78	0.58	0.68	0.77	0.77	0.88	0.61	0.72	0.81	0.81	0.93
		PI	1.52	1.52	1.52	1.52	1.52	1.70	1.71	1.71	1.71	1.71	1.81	1.81	1.81	1.81	1.81
	110°F	TC	13639	13658	13672	13673	13691	15325	15345	15362	15365	15382	16249	16266	16284	16286	16307
		S/T	0.53	0.62	0.71	0.71	0.81	0.60	0.70	0.80	0.80	0.91	0.63	0.74	0.84	0.84	0.96
		PI	1.47	1.47	1.47	1.47	1.48	1.65	1.65	1.66	1.66	1.66	1.75	1.75	1.75	1.76	1.76
	115°F	TC	11710	11726	11739	11739	11755	13158	13175	13189	13192	13207	13950	13966	13981	13983	14000
		S/T	0.54	0.63	0.72	0.72	0.82	0.60	0.71	0.81	0.81	0.92	0.64	0.75	0.85	0.85	0.97
		PI	1.32	1.32	1.32	1.33	1.33	1.49	1.49	1.49	1.49	1.49	1.57	1.58	1.58	1.58	1.58
122°F	TC	9138	9151	9160	9161	9173	10268	10281	10293	10295	10306	10886	10898	10910	10912	10925	
	S/T	0.55	0.65	0.73	0.73	0.84	0.62	0.73	0.82	0.83	0.94	0.66	0.77	0.87	0.87	1.00	
	PI	1.12	1.13	1.13	1.13	1.13	1.26	1.27	1.27	1.27	1.27	1.34	1.34	1.34	1.34	1.34	

TC:Total Cooling Capacity (BTU/hr)

S/T:Sensible Cooling Capacity Ratio

PI:Power Input(kW)

18HSHP-HE-SYS Expanded Cooling @ 564 CFM

CFM	ODDB	ID WB(°F)	60.8°F					67.0°F					71.6°F				
		ID DB(°F)	73.4°F	77.0°F	80.0°F	80.6°F	84.2°F	73.4°F	77.0°F	80.0°F	80.6°F	84.2°F	73.4°F	77.0°F	80.0°F	80.6°F	84.2°F
564	50°F	TC	16788	16810	16829	16829	16852	18863	18888	18909	18912	18933	20000	20021	20043	20046	20071
		S/T	0.48	0.57	0.64	0.64	0.73	0.54	0.64	0.72	0.72	0.82	0.57	0.67	0.77	0.77	0.87
		PI	0.83	0.83	0.83	0.83	0.84	0.94	0.94	0.94	0.94	0.94	0.99	0.99	0.99	0.99	1.00
	59°F	TC	16892	16914	16933	16933	16956	18980	19004	19025	19029	19050	20123	20145	20167	20170	20195
		S/T	0.48	0.57	0.65	0.65	0.74	0.54	0.64	0.73	0.73	0.83	0.58	0.68	0.77	0.77	0.88
		PI	0.87	0.88	0.88	0.88	0.88	0.98	0.98	0.98	0.99	0.99	1.04	1.04	1.04	1.04	1.05
	68°F	TC	16995	17018	17037	17037	17060	19096	19121	19142	19146	19167	20247	20269	20291	20294	20319
		S/T	0.50	0.58	0.66	0.66	0.76	0.56	0.66	0.75	0.75	0.85	0.59	0.70	0.79	0.79	0.90
		PI	0.92	0.92	0.92	0.92	0.92	1.03	1.03	1.03	1.03	1.03	1.09	1.09	1.09	1.09	1.10
	77°F	TC	17099	17122	17141	17141	17165	19213	19238	19259	19263	19284	20371	20393	20415	20418	20443
		S/T	0.50	0.59	0.67	0.67	0.77	0.57	0.66	0.76	0.76	0.86	0.60	0.70	0.80	0.80	0.91
		PI	0.96	0.96	0.96	0.96	0.96	1.08	1.08	1.08	1.08	1.08	1.14	1.14	1.14	1.14	1.15
	80°F	TC	17135	17158	17176	17177	17200	19253	19278	19299	19303	19324	20413	20435	20457	20460	20486
		S/T	0.51	0.60	0.68	0.68	0.78	0.57	0.67	0.76	0.76	0.87	0.61	0.71	0.81	0.81	0.92
		PI	0.97	0.97	0.98	0.98	0.98	1.09	1.09	1.10	1.10	1.10	1.16	1.16	1.16	1.16	1.16
	86°F	TC	17080	17103	17121	17122	17145	19191	19216	19237	19241	19262	20347	20369	20392	20395	20420
		S/T	0.52	0.61	0.69	0.69	0.79	0.58	0.68	0.77	0.77	0.88	0.62	0.72	0.82	0.82	0.94
		PI	1.24	1.24	1.24	1.24	1.25	1.39	1.40	1.40	1.40	1.40	1.48	1.48	1.48	1.48	1.48
	95°F	TC	16997	17020	17038	17039	17062	19098	19122	19144	19147	19169	20248	20270	20292	20296	20321
		S/T	0.52	0.61	0.69	0.69	0.79	0.58	0.68	0.77	0.77	0.88	0.62	0.72	0.82	0.82	0.94
		PI	1.65	1.65	1.65	1.65	1.65	1.85	1.85	1.85	1.85	1.86	1.96	1.96	1.96	1.96	1.97
	104°F	TC	15178	15199	15215	15216	15236	17054	17077	17096	17099	17118	18082	18102	18121	18124	18147
		S/T	0.53	0.62	0.71	0.71	0.81	0.60	0.70	0.79	0.79	0.91	0.63	0.74	0.84	0.84	0.96
		PI	1.57	1.57	1.57	1.57	1.57	1.76	1.76	1.76	1.76	1.77	1.87	1.87	1.87	1.87	1.87
	110°F	TC	14087	14106	14121	14122	14141	15828	15849	15867	15870	15887	16782	16800	16819	16821	16842
		S/T	0.55	0.64	0.73	0.73	0.83	0.62	0.72	0.82	0.82	0.94	0.65	0.77	0.87	0.87	0.99
		PI	1.52	1.52	1.52	1.52	1.52	1.71	1.71	1.71	1.71	1.71	1.81	1.81	1.81	1.81	1.81
115°F	TC	12095	12111	12124	12125	12141	13590	13608	13623	13625	13640	14409	14424	14440	14442	14460	
	S/T	0.56	0.65	0.74	0.74	0.84	0.62	0.73	0.83	0.83	0.95	0.66	0.78	0.88	0.88	1.00	
	PI	1.37	1.37	1.37	1.37	1.37	1.53	1.54	1.54	1.54	1.54	1.63	1.63	1.63	1.63	1.63	
122°F	TC	9438	9451	9461	9462	9474	10605	10619	10631	10633	10644	11244	11256	11268	11270	11284	
	S/T	0.57	0.67	0.76	0.76	0.86	0.64	0.75	0.85	0.85	0.97	0.68	0.79	0.90	0.90	1.00	
	PI	1.16	1.16	1.16	1.16	1.17	1.30	1.31	1.31	1.31	1.31	1.38	1.39	1.39	1.39	1.39	

TC:Total Cooling Capacity (BTU/hr)

S/T:Sensible Cooling Capacity Ratio

PI:Power Input(kW)

18HSHP-HE-SYS Expanded Cooling @ 600 CFM

CFM	ODDB	ID WB(°F)	60.8°F					67.0°F					71.6°F				
		ID DB(°F)	73.4°F	77.0°F	80.0°F	80.6°F	84.2°F	73.4°F	77.0°F	80.0°F	80.6°F	84.2°F	73.4°F	77.0°F	80.0°F	80.6°F	84.2°F
600	50°F	TC	17339	17363	17381	17382	17405	19483	19508	19530	19533	19555	20656	20679	20701	20705	20730
		S/T	0.50	0.58	0.66	0.66	0.76	0.56	0.66	0.75	0.75	0.85	0.59	0.70	0.79	0.79	0.90
		PI	0.86	0.86	0.86	0.86	0.86	0.97	0.97	0.97	0.97	0.97	1.02	1.03	1.03	1.03	1.03
	59°F	TC	17446	17470	17489	17490	17513	19603	19628	19650	19654	19676	20784	20807	20829	20833	20859
		S/T	0.50	0.59	0.67	0.67	0.76	0.56	0.66	0.75	0.75	0.86	0.60	0.70	0.80	0.80	0.91
		PI	0.90	0.90	0.91	0.91	0.91	1.01	1.02	1.02	1.02	1.02	1.08	1.08	1.08	1.08	1.08
	68°F	TC	17554	17577	17596	17597	17621	19723	19749	19771	19775	19797	20912	20935	20957	20961	20987
		S/T	0.51	0.60	0.69	0.69	0.78	0.58	0.68	0.77	0.77	0.88	0.61	0.72	0.82	0.82	0.93
		PI	0.95	0.95	0.95	0.95	0.95	1.06	1.07	1.07	1.07	1.07	1.13	1.13	1.13	1.13	1.13
	77°F	TC	17661	17685	17704	17704	17728	19844	19870	19892	19896	19918	21040	21062	21085	21089	21115
		S/T	0.52	0.61	0.69	0.69	0.79	0.59	0.69	0.78	0.78	0.89	0.62	0.73	0.83	0.83	0.94
		PI	0.99	0.99	0.99	0.99	0.99	1.11	1.11	1.12	1.12	1.12	1.18	1.18	1.18	1.18	1.18
	80°F	TC	17697	17721	17740	17741	17765	19885	19911	19933	19937	19959	21083	21106	21129	21132	21158
		S/T	0.53	0.62	0.70	0.70	0.80	0.59	0.70	0.79	0.79	0.90	0.63	0.74	0.84	0.84	0.95
		PI	1.01	1.01	1.01	1.01	1.01	1.13	1.13	1.13	1.13	1.13	1.20	1.20	1.20	1.20	1.20
	86°F	TC	17641	17664	17683	17684	17708	19821	19847	19869	19873	19895	21016	21038	21061	21065	21091
		S/T	0.53	0.63	0.71	0.71	0.81	0.60	0.70	0.80	0.80	0.91	0.64	0.75	0.85	0.85	0.97
		PI	1.28	1.28	1.28	1.28	1.29	1.44	1.44	1.44	1.44	1.44	1.53	1.53	1.53	1.53	1.53
	95°F	TC	17555	17579	17597	17598	17622	19725	19751	19773	19776	19798	20913	20936	20959	20962	20988
		S/T	0.53	0.63	0.71	0.71	0.81	0.60	0.70	0.80	0.80	0.91	0.64	0.75	0.85	0.85	0.97
		PI	1.70	1.70	1.70	1.70	1.71	1.91	1.91	1.91	1.91	1.92	2.02	2.03	2.03	2.03	2.03
	104°F	TC	15677	15698	15715	15715	15737	17615	17637	17657	17660	17680	18676	18696	18717	18719	18743
		S/T	0.55	0.64	0.73	0.73	0.83	0.62	0.72	0.82	0.82	0.93	0.65	0.76	0.87	0.87	0.99
		PI	1.62	1.62	1.62	1.62	1.62	1.82	1.82	1.82	1.82	1.82	1.93	1.93	1.93	1.93	1.93
	110°F	TC	14550	14569	14585	14586	14605	16348	16370	16388	16391	16409	17333	17352	17371	17374	17395
		S/T	0.57	0.67	0.76	0.76	0.86	0.64	0.75	0.85	0.85	0.97	0.68	0.79	0.90	0.90	1.00
		PI	1.57	1.57	1.57	1.57	1.57	1.76	1.76	1.77	1.77	1.77	1.87	1.87	1.87	1.87	1.87
115°F	TC	12492	12509	12522	12523	12540	14036	14054	14070	14073	14088	14882	14898	14914	14917	14935	
	S/T	0.57	0.67	0.77	0.77	0.87	0.65	0.76	0.86	0.86	0.98	0.68	0.80	0.91	0.91	1.00	
	PI	1.41	1.41	1.41	1.41	1.42	1.58	1.59	1.59	1.59	1.59	1.68	1.68	1.68	1.68	1.69	
122°F	TC	9748	9761	9772	9772	9786	10953	10968	10980	10982	10994	11613	11626	11639	11640	11655	
	S/T	0.59	0.69	0.78	0.78	0.89	0.66	0.77	0.88	0.88	1.00	0.70	0.82	0.93	0.93	1.00	
	PI	1.20	1.20	1.20	1.20	1.20	1.35	1.35	1.35	1.35	1.35	1.43	1.43	1.43	1.43	1.43	

TC:Total Cooling Capacity (BTU/hr)

S/T:Sensible Cooling Capacity Ratio

PI:Power Input(kW)

18HSHP-HE-SYS Expanded Heating @ 488 CFM

CFM	HEATING PERFORMANCE AT INDOOR DRY BULB TEMPERATURE										
	ODDB	TC: Total Heating Capacity(BTU/hr)					PI: Power Input(kW)				
		Indoor Conditions (DB °F)					Indoor Conditions (DB °F)				
		60.8°F	68°F	70°F	71.6°F	75.2°F	60.8°F	68°F	70°F	71.6°F	75.2°F
488	-13°F	6685	6551	6519	6464	6406	1.39	1.40	1.41	1.41	1.42
	-4°F	8289	8123	8082	8015	7943	1.48	1.49	1.49	1.50	1.50
	0°F	9363	9176	9130	9054	8972	1.52	1.53	1.53	1.54	1.54
	5°F	10706	10492	10439	10352	10259	1.57	1.58	1.58	1.59	1.59
	14°F	12433	12184	12123	12022	11913	1.59	1.60	1.61	1.61	1.62
	17°F	13008	12748	12684	12578	12465	1.60	1.61	1.62	1.62	1.63
	22°F	13380	13112	13046	12937	12821	1.59	1.60	1.60	1.61	1.61
	27°F	13751	13476	13409	13297	13177	1.58	1.59	1.59	1.60	1.60
	32°F	14122	13840	13771	13656	13533	1.57	1.58	1.58	1.59	1.59
	35°F	14345	14058	13988	13871	13746	1.56	1.57	1.58	1.58	1.59
	37°F	15051	14750	14676	14553	14422	1.56	1.57	1.58	1.58	1.59
	42°F	16815	16478	16396	16259	16113	1.56	1.57	1.57	1.58	1.58
	44.6°F	17520	17170	17084	16941	16789	1.56	1.57	1.57	1.57	1.58
	47°F	18579	18207	18116	17965	17803	1.55	1.57	1.57	1.57	1.58
	52°F	17212	16868	16784	16644	16494	1.51	1.52	1.52	1.53	1.53
	57°F	15846	15529	15452	15323	15185	1.46	1.47	1.48	1.48	1.49
	59°F	15300	14994	14919	14794	14661	1.44	1.46	1.46	1.46	1.47
62°F	14480	14191	14120	14002	13876	1.42	1.43	1.43	1.43	1.44	
64.4°F	13934	13655	13587	13473	13352	1.40	1.41	1.41	1.42	1.42	

18HSHP-HE-SYS Expanded Heating @ 529 CFM

CFM	HEATING PERFORMANCE AT INDOOR DRY BULB TEMPERATURE										
	ODDB	TC: Total Heating Capacity(BTU/hr)					PI: Power Input(kW)				
		Indoor Conditions (DB °F)					Indoor Conditions (DB °F)				
		60.8°F	68°F	70°F	71.6°F	75.2°F	60.8°F	68°F	70°F	71.6°F	75.2°F
529	-13°F	6905	6767	6733	6691	6631	1.41	1.42	1.42	1.42	1.43
	-4°F	8561	8390	8348	8296	8222	1.49	1.50	1.51	1.51	1.52
	0°F	9671	9477	9430	9371	9287	1.53	1.55	1.55	1.55	1.56
	5°F	11057	10836	10782	10715	10619	1.58	1.60	1.60	1.60	1.61
	14°F	12841	12584	12521	12444	12332	1.61	1.62	1.62	1.63	1.63
	17°F	13435	13167	13101	13020	12903	1.62	1.63	1.63	1.64	1.64
	22°F	13819	13543	13475	13392	13271	1.60	1.62	1.62	1.62	1.63
	27°F	14203	13919	13849	13763	13639	1.59	1.61	1.61	1.61	1.62
	32°F	14586	14294	14223	14135	14008	1.58	1.60	1.60	1.60	1.61
	35°F	14816	14520	14447	14358	14229	1.58	1.59	1.59	1.60	1.60
	37°F	15545	15234	15158	15064	14929	1.58	1.59	1.59	1.59	1.60
	42°F	17367	17020	16934	16830	16678	1.57	1.59	1.59	1.59	1.60
	44.6°F	18096	17734	17645	17536	17378	1.57	1.58	1.59	1.59	1.60
	47°F	19189	18805	18711	18595	18428	1.57	1.58	1.59	1.59	1.60
	52°F	17778	17422	17335	17228	17073	1.52	1.54	1.54	1.54	1.55
	57°F	16367	16040	15959	15861	15718	1.48	1.49	1.49	1.50	1.50
	59°F	15802	15486	15409	15314	15176	1.46	1.47	1.47	1.48	1.48
62°F	14956	14657	14584	14493	14363	1.43	1.44	1.45	1.45	1.45	
64.4°F	14392	14104	14033	13946	13821	1.41	1.42	1.43	1.43	1.44	

18HSHP-HE-SYS Expanded Heating @ 564 CFM

CFM	HEATING PERFORMANCE AT INDOOR DRY BULB TEMPERATURE										
	ODDB	TC: Total Heating Capacity(BTU/hr)					PI: Power Input(kW)				
		Indoor Conditions (DB °F)					Indoor Conditions (DB °F)				
		60.8°F	68°F	70°F	71.6°F	75.2°F	60.8°F	68°F	70°F	71.6°F	75.2°F
564	-13°F	7131	6989	6954	6926	6864	1.42	1.43	1.44	1.44	1.44
	-4°F	8842	8665	8622	8588	8510	1.51	1.52	1.52	1.53	1.53
	0°F	9988	9788	9739	9700	9613	1.55	1.56	1.56	1.57	1.57
	5°F	11420	11192	11136	11092	10992	1.60	1.61	1.62	1.62	1.63
	14°F	13263	12997	12932	12881	12765	1.62	1.64	1.64	1.64	1.65
	17°F	13877	13599	13531	13477	13356	1.63	1.65	1.65	1.65	1.66
	22°F	14273	13987	13917	13862	13737	1.62	1.63	1.64	1.64	1.65
	27°F	14669	14376	14304	14247	14118	1.61	1.62	1.63	1.63	1.64
	32°F	15065	14764	14690	14631	14500	1.60	1.61	1.62	1.62	1.63
	35°F	15303	14997	14922	14862	14728	1.59	1.61	1.61	1.61	1.62
	37°F	16056	15735	15656	15593	15453	1.59	1.60	1.61	1.61	1.62
	42°F	17937	17579	17491	17421	17264	1.59	1.60	1.60	1.61	1.61
	44.6°F	18690	18316	18225	18152	17988	1.59	1.60	1.60	1.61	1.61
	47°F	19819	19423	19325	19248	19075	1.59	1.60	1.60	1.61	1.61
	52°F	18362	17994	17904	17833	17672	1.54	1.55	1.55	1.56	1.56
	57°F	16904	16566	16483	16418	16270	1.49	1.50	1.51	1.51	1.52
	59°F	16321	15995	15915	15851	15709	1.47	1.49	1.49	1.49	1.50
62°F	15447	15138	15062	15002	14867	1.45	1.46	1.46	1.46	1.47	
64.4°F	14864	14567	14494	14436	14306	1.43	1.44	1.44	1.44	1.45	

18HSHP-HE-SYS Expanded Heating @ 600 CFM

CFM	HEATING PERFORMANCE AT INDOOR DRY BULB TEMPERATURE										
	ODDB	TC: Total Heating Capacity(BTU/hr)					PI: Power Input(kW)				
		Indoor Conditions (DB °F)					Indoor Conditions (DB °F)				
		60.8°F	68°F	70°F	71.6°F	75.2°F	60.8°F	68°F	70°F	71.6°F	75.2°F
600	-13°F	7366	7218	7182	7154	7089	1.44	1.45	1.45	1.45	1.46
	-4°F	9133	8950	8905	8870	8790	1.52	1.53	1.54	1.54	1.55
	0°F	10316	10110	10059	10019	9929	1.56	1.58	1.58	1.58	1.59
	5°F	11796	11560	11502	11456	11353	1.62	1.63	1.63	1.64	1.64
	14°F	13698	13424	13357	13304	13184	1.64	1.65	1.66	1.66	1.67
	17°F	14332	14046	13976	13920	13794	1.65	1.66	1.67	1.67	1.68
	22°F	14742	14447	14375	14317	14188	1.64	1.65	1.65	1.66	1.66
	27°F	15151	14848	14774	14714	14582	1.63	1.64	1.64	1.65	1.65
	32°F	15560	15249	15173	15112	14976	1.62	1.63	1.63	1.63	1.64
	35°F	15806	15489	15412	15350	15212	1.61	1.62	1.63	1.63	1.63
	37°F	16583	16251	16170	16105	15960	1.61	1.62	1.62	1.63	1.63
	42°F	18526	18156	18065	17993	17831	1.60	1.62	1.62	1.62	1.63
	44.6°F	19304	18918	18823	18748	18579	1.60	1.62	1.62	1.62	1.63
	47°F	20470	20061	19960	19880	19701	1.60	1.61	1.62	1.62	1.63
	52°F	18965	18585	18493	18419	18253	1.55	1.57	1.57	1.57	1.58
	57°F	17460	17110	17025	16957	16804	1.51	1.52	1.52	1.53	1.53
	59°F	16858	16520	16438	16372	16225	1.49	1.50	1.50	1.51	1.51
62°F	15954	15635	15557	15495	15356	1.46	1.47	1.48	1.48	1.48	
64.4°F	15352	15045	14970	14910	14776	1.44	1.45	1.46	1.46	1.46	

24HSHP-HE-SYS Expanded Cooling @ 629 CFM

CFM	ODDB	ID WB(°F)	60.8°F					67.0°F					71.6°F				
		ID DB(°F)	73.4°F	77.0°F	80.0°F	80.6°F	84.2°F	73.4°F	77.0°F	80.0°F	80.6°F	84.2°F	73.4°F	77.0°F	80.0°F	80.6°F	84.2°F
629	50°F	TC	20550	20578	20600	20601	20629	23090	23120	23146	23150	23176	24482	24508	24535	24539	24569
		S/T	0.43	0.50	0.57	0.57	0.65	0.48	0.56	0.64	0.64	0.73	0.51	0.60	0.68	0.68	0.77
		PI	1.22	1.22	1.22	1.23	1.23	1.37	1.37	1.38	1.38	1.38	1.46	1.46	1.46	1.46	1.46
	59°F	TC	20157	20185	20206	20207	20234	22649	22679	22704	22708	22733	24014	24040	24066	24070	24100
		S/T	0.43	0.50	0.57	0.57	0.65	0.48	0.56	0.64	0.64	0.73	0.51	0.60	0.68	0.68	0.77
		PI	1.17	1.17	1.17	1.17	1.17	1.31	1.31	1.31	1.31	1.31	1.39	1.39	1.39	1.39	1.39
	68°F	TC	19765	19791	19813	19814	19840	22208	22237	22262	22266	22291	23546	23572	23597	23601	23630
		S/T	0.44	0.52	0.59	0.59	0.67	0.49	0.58	0.66	0.66	0.75	0.52	0.61	0.70	0.70	0.80
		PI	1.11	1.11	1.11	1.11	1.11	1.25	1.25	1.25	1.25	1.25	1.32	1.32	1.32	1.32	1.33
	77°F	TC	19372	19398	19419	19420	19446	21767	21795	21819	21823	21848	23078	23103	23128	23132	23161
		S/T	0.45	0.52	0.59	0.59	0.68	0.50	0.59	0.67	0.67	0.76	0.53	0.62	0.71	0.71	0.81
		PI	1.05	1.05	1.05	1.05	1.06	1.18	1.18	1.18	1.18	1.19	1.25	1.25	1.26	1.26	1.26
	80°F	TC	19239	19264	19285	19286	19312	21617	21645	21669	21673	21697	22919	22944	22969	22973	23001
		S/T	0.45	0.53	0.60	0.60	0.69	0.51	0.59	0.68	0.68	0.77	0.54	0.63	0.72	0.72	0.82
		PI	1.03	1.03	1.03	1.03	1.04	1.16	1.16	1.16	1.16	1.16	1.23	1.23	1.23	1.23	1.23
	86°F	TC	19703	19729	19751	19752	19778	22138	22167	22192	22196	22221	23472	23498	23523	23527	23556
		S/T	0.46	0.54	0.61	0.61	0.69	0.51	0.60	0.68	0.68	0.78	0.54	0.64	0.72	0.72	0.83
		PI	1.50	1.50	1.50	1.50	1.50	1.68	1.68	1.68	1.68	1.69	1.78	1.78	1.79	1.79	1.79
	95°F	TC	20407	20434	20456	20457	20484	22929	22959	22984	22989	23014	24310	24337	24363	24367	24398
		S/T	0.46	0.54	0.61	0.61	0.69	0.51	0.60	0.68	0.68	0.78	0.54	0.64	0.72	0.72	0.83
		PI	2.20	2.20	2.20	2.20	2.21	2.47	2.47	2.48	2.48	2.48	2.62	2.62	2.62	2.62	2.63
	104°F	TC	18985	19011	19031	19032	19058	21332	21360	21384	21388	21412	22618	22642	22667	22670	22699
		S/T	0.47	0.55	0.62	0.62	0.71	0.53	0.62	0.70	0.70	0.80	0.56	0.65	0.74	0.74	0.85
		PI	2.21	2.22	2.22	2.22	2.22	2.49	2.49	2.49	2.49	2.49	2.64	2.64	2.64	2.64	2.64
	110°F	TC	18133	18157	18177	18178	18202	20374	20401	20423	20427	20450	21602	21625	21649	21652	21679
		S/T	0.49	0.57	0.65	0.65	0.74	0.54	0.64	0.73	0.73	0.83	0.58	0.68	0.77	0.77	0.88
		PI	2.22	2.22	2.23	2.23	2.23	2.50	2.50	2.50	2.50	2.50	2.65	2.65	2.65	2.65	2.66
	115°F	TC	16467	16489	16507	16508	16530	18502	18526	18547	18551	18571	19617	19639	19660	19663	19687
		S/T	0.49	0.58	0.65	0.65	0.75	0.55	0.65	0.74	0.74	0.84	0.58	0.69	0.78	0.78	0.89
		PI	2.10	2.10	2.11	2.11	2.11	2.36	2.36	2.37	2.37	2.37	2.50	2.51	2.51	2.51	2.51
122°F	TC	14246	14265	14280	14281	14300	16007	16027	16045	16048	16066	16971	16990	17008	17011	17032	
	S/T	0.50	0.59	0.67	0.67	0.76	0.56	0.66	0.75	0.75	0.86	0.60	0.70	0.80	0.80	0.91	
	PI	1.94	1.94	1.95	1.95	1.95	2.18	2.19	2.19	2.19	2.19	2.31	2.32	2.32	2.32	2.32	

TC:Total Cooling Capacity (BTU/hr)

S/T:Sensible Cooling Capacity Ratio

PI:Power Input(kW)

24HSHP-HE-SYS Expanded Cooling @ 694 CFM

CFM	ODDB	ID WB(°F)	60.8°F					67.0°F					71.6°F				
		ID DB(°F)	73.4°F	77.0°F	80.0°F	80.6°F	84.2°F	73.4°F	77.0°F	80.0°F	80.6°F	84.2°F	73.4°F	77.0°F	80.0°F	80.6°F	84.2°F
694	50°F	TC	21653	21682	21705	21706	21736	24329	24361	24388	24393	24420	25795	25823	25851	25855	25888
		S/T	0.45	0.53	0.60	0.60	0.68	0.50	0.59	0.67	0.67	0.77	0.53	0.63	0.71	0.71	0.81
		PI	1.29	1.29	1.29	1.29	1.29	1.45	1.45	1.45	1.45	1.45	1.53	1.54	1.54	1.54	1.54
	59°F	TC	21239	21268	21291	21292	21320	23864	23895	23922	23927	23953	25302	25330	25357	25361	25393
		S/T	0.45	0.53	0.60	0.60	0.69	0.51	0.59	0.68	0.68	0.77	0.54	0.63	0.72	0.72	0.82
		PI	1.23	1.23	1.23	1.23	1.23	1.38	1.38	1.38	1.38	1.38	1.46	1.46	1.47	1.47	1.47
	68°F	TC	20825	20853	20876	20877	20905	23400	23430	23456	23460	23487	24809	24836	24863	24867	24898
		S/T	0.46	0.54	0.62	0.62	0.70	0.52	0.61	0.69	0.69	0.79	0.55	0.65	0.74	0.74	0.84
		PI	1.17	1.17	1.17	1.17	1.17	1.31	1.31	1.32	1.32	1.32	1.39	1.39	1.39	1.39	1.40
	77°F	TC	20412	20439	20461	20462	20490	22935	22964	22990	22994	23020	24317	24343	24369	24373	24404
		S/T	0.47	0.55	0.63	0.63	0.71	0.53	0.62	0.70	0.70	0.80	0.56	0.66	0.74	0.74	0.85
		PI	1.11	1.11	1.11	1.11	1.11	1.24	1.25	1.25	1.25	1.25	1.32	1.32	1.32	1.32	1.32
	80°F	TC	20271	20298	20320	20321	20348	22777	22806	22832	22836	22861	24149	24175	24202	24205	24235
		S/T	0.47	0.56	0.63	0.63	0.72	0.53	0.63	0.71	0.71	0.81	0.57	0.66	0.75	0.75	0.86
		PI	1.09	1.09	1.09	1.09	1.09	1.22	1.22	1.23	1.23	1.23	1.30	1.30	1.30	1.30	1.30
	86°F	TC	20760	20788	20811	20811	20840	23326	23357	23383	23387	23413	24732	24759	24786	24790	24820
		S/T	0.48	0.56	0.64	0.64	0.73	0.54	0.63	0.72	0.72	0.82	0.57	0.67	0.76	0.76	0.87
		PI	1.58	1.58	1.58	1.58	1.58	1.77	1.77	1.78	1.78	1.78	1.88	1.88	1.88	1.88	1.88
	95°F	TC	21502	21530	21554	21555	21584	24159	24191	24218	24222	24249	25615	25643	25671	25675	25707
		S/T	0.48	0.56	0.64	0.64	0.73	0.54	0.63	0.72	0.72	0.82	0.57	0.67	0.76	0.76	0.87
		PI	2.32	2.32	2.32	2.32	2.32	2.60	2.61	2.61	2.61	2.61	2.76	2.76	2.77	2.77	2.77
	104°F	TC	20004	20031	20053	20054	20081	22477	22506	22531	22535	22561	23831	23857	23883	23887	23917
		S/T	0.49	0.58	0.66	0.66	0.75	0.55	0.65	0.74	0.74	0.84	0.59	0.69	0.78	0.78	0.89
		PI	2.33	2.33	2.34	2.34	2.34	2.62	2.62	2.63	2.63	2.63	2.78	2.78	2.78	2.78	2.79
	110°F	TC	19106	19132	19152	19153	19179	21467	21495	21519	21523	21547	22761	22786	22810	22814	22842
		S/T	0.51	0.60	0.68	0.68	0.78	0.57	0.67	0.77	0.77	0.87	0.61	0.71	0.81	0.81	0.93
		PI	2.34	2.34	2.35	2.35	2.35	2.63	2.63	2.64	2.64	2.64	2.79	2.79	2.79	2.79	2.80
115°F	TC	17351	17374	17393	17393	17417	19495	19521	19542	19546	19568	20670	20692	20715	20718	20744	
	S/T	0.52	0.61	0.69	0.69	0.79	0.58	0.68	0.77	0.77	0.88	0.62	0.72	0.82	0.82	0.94	
	PI	2.21	2.22	2.22	2.22	2.22	2.49	2.49	2.49	2.49	2.50	2.64	2.64	2.64	2.64	2.65	
122°F	TC	15010	15030	15047	15047	15068	16866	16887	16906	16909	16928	17882	17901	17921	17923	17946	
	S/T	0.53	0.62	0.71	0.71	0.80	0.59	0.70	0.79	0.79	0.90	0.63	0.74	0.84	0.84	0.96	
	PI	2.05	2.05	2.05	2.05	2.05	2.30	2.30	2.30	2.31	2.31	2.44	2.44	2.44	2.44	2.45	

TC:Total Cooling Capacity (BTU/hr)

S/T:Sensible Cooling Capacity Ratio

PI:Power Input(kW)

24HSHP-HE-SYS Expanded Cooling @ 759 CFM

CFM	ODDB	ID WB(°F)	60.8°F					67.0°F					71.6°F				
		ID DB(°F)	73.4°F	77.0°F	80.0°F	80.6°F	84.2°F	73.4°F	77.0°F	80.0°F	80.6°F	84.2°F	73.4°F	77.0°F	80.0°F	80.6°F	84.2°F
759	50°F	TC	22815	22845	22870	22871	22902	25635	25668	25697	25702	25730	27179	27209	27239	27243	27277
		S/T	0.47	0.55	0.63	0.63	0.72	0.53	0.62	0.71	0.71	0.81	0.56	0.66	0.75	0.75	0.86
		PI	1.36	1.36	1.36	1.36	1.36	1.52	1.53	1.53	1.53	1.53	1.62	1.62	1.62	1.62	1.62
	59°F	TC	22379	22409	22433	22434	22464	25145	25178	25206	25211	25239	26660	26689	26718	26722	26756
		S/T	0.48	0.56	0.63	0.63	0.72	0.53	0.63	0.71	0.71	0.81	0.57	0.66	0.75	0.75	0.86
		PI	1.29	1.30	1.30	1.30	1.30	1.45	1.46	1.46	1.46	1.46	1.54	1.54	1.54	1.54	1.55
	68°F	TC	21943	21972	21996	21997	22027	24655	24687	24715	24719	24747	26141	26169	26198	26202	26234
		S/T	0.49	0.57	0.65	0.65	0.74	0.55	0.64	0.73	0.73	0.83	0.58	0.68	0.77	0.77	0.88
		PI	1.23	1.23	1.23	1.23	1.24	1.38	1.38	1.39	1.39	1.39	1.47	1.47	1.47	1.47	1.47
	77°F	TC	21507	21536	21559	21560	21589	24165	24197	24224	24228	24255	25621	25649	25677	25681	25713
		S/T	0.49	0.58	0.66	0.66	0.75	0.56	0.65	0.74	0.74	0.84	0.59	0.69	0.78	0.78	0.89
		PI	1.17	1.17	1.17	1.17	1.17	1.31	1.31	1.31	1.32	1.32	1.39	1.39	1.39	1.39	1.40
	80°F	TC	21359	21387	21410	21411	21440	23999	24030	24057	24061	24088	25445	25473	25500	25504	25536
		S/T	0.50	0.59	0.67	0.67	0.76	0.56	0.66	0.75	0.75	0.85	0.60	0.70	0.79	0.79	0.91
		PI	1.15	1.15	1.15	1.15	1.15	1.29	1.29	1.29	1.29	1.29	1.37	1.37	1.37	1.37	1.37
	86°F	TC	21874	21904	21927	21928	21958	24578	24610	24637	24642	24670	26059	26087	26116	26120	26152
		S/T	0.51	0.59	0.68	0.68	0.77	0.57	0.67	0.76	0.76	0.87	0.60	0.71	0.80	0.80	0.92
		PI	1.66	1.66	1.66	1.66	1.67	1.87	1.87	1.87	1.87	1.87	1.98	1.98	1.98	1.98	1.99
	95°F	TC	22655	22686	22710	22711	22742	25456	25489	25517	25522	25550	26990	27019	27048	27053	27086
		S/T	0.51	0.59	0.68	0.68	0.77	0.57	0.67	0.76	0.76	0.87	0.60	0.71	0.80	0.80	0.92
		PI	2.44	2.44	2.45	2.45	2.45	2.74	2.75	2.75	2.75	2.75	2.91	2.91	2.91	2.91	2.92
	104°F	TC	21078	21106	21129	21130	21158	23683	23714	23740	23745	23771	25110	25137	25165	25169	25200
		S/T	0.52	0.61	0.69	0.69	0.79	0.58	0.68	0.78	0.78	0.89	0.62	0.73	0.82	0.83	0.94
		PI	2.46	2.46	2.46	2.46	2.47	2.76	2.76	2.77	2.77	2.77	2.93	2.93	2.93	2.93	2.94
	110°F	TC	20131	20158	20180	20181	20208	22619	22649	22674	22678	22704	23982	24008	24035	24038	24068
		S/T	0.54	0.63	0.72	0.72	0.82	0.61	0.71	0.81	0.81	0.92	0.64	0.75	0.86	0.86	0.97
		PI	2.47	2.47	2.47	2.47	2.47	2.77	2.77	2.78	2.78	2.78	2.94	2.94	2.94	2.94	2.95
115°F	TC	18282	18306	18326	18327	18351	20541	20568	20591	20595	20618	21779	21803	21826	21830	21857	
	S/T	0.54	0.64	0.73	0.73	0.83	0.61	0.72	0.82	0.82	0.93	0.65	0.76	0.87	0.87	0.99	
	PI	2.33	2.34	2.34	2.34	2.34	2.62	2.62	2.63	2.63	2.63	2.78	2.78	2.79	2.79	2.79	
122°F	TC	15816	15837	15854	15855	15876	17771	17794	17814	17817	17837	18841	18862	18882	18885	18909	
	S/T	0.56	0.65	0.74	0.74	0.85	0.63	0.73	0.84	0.84	0.95	0.66	0.78	0.89	0.89	1.00	
	PI	2.16	2.16	2.16	2.16	2.16	2.42	2.43	2.43	2.43	2.43	2.57	2.57	2.57	2.57	2.58	

TC:Total Cooling Capacity (BTU/hr)

S/T:Sensible Cooling Capacity Ratio

PI:Power Input(kW)

24HSHP-HE-SYS Expanded Cooling @ 824 CFM

CFM	ODDB	ID WB(°F)	60.8°F					67.0°F					71.6°F				
		ID DB(°F)	73.4°F	77.0°F	80.0°F	80.6°F	84.2°F	73.4°F	77.0°F	80.0°F	80.6°F	84.2°F	73.4°F	77.0°F	80.0°F	80.6°F	84.2°F
824	50°F	TC	24039	24071	24097	24098	24131	27011	27046	27076	27081	27111	28638	28669	28700	28705	28741
		S/T	0.50	0.58	0.66	0.66	0.76	0.56	0.66	0.75	0.75	0.85	0.59	0.70	0.79	0.79	0.90
		PI	1.43	1.43	1.43	1.43	1.43	1.61	1.61	1.61	1.61	1.61	1.70	1.70	1.71	1.71	1.71
	59°F	TC	23580	23611	23637	23638	23670	26494	26529	26558	26563	26593	28091	28121	28152	28156	28191
		S/T	0.50	0.59	0.67	0.67	0.76	0.56	0.66	0.75	0.75	0.86	0.60	0.70	0.80	0.80	0.91
		PI	1.36	1.36	1.37	1.37	1.37	1.53	1.53	1.54	1.54	1.54	1.62	1.63	1.63	1.63	1.63
	68°F	TC	23120	23151	23176	23177	23209	25978	26012	26041	26046	26075	27544	27573	27603	27608	27642
		S/T	0.51	0.60	0.69	0.69	0.78	0.58	0.68	0.77	0.77	0.88	0.61	0.72	0.82	0.82	0.93
		PI	1.30	1.30	1.30	1.30	1.30	1.46	1.46	1.46	1.46	1.46	1.54	1.55	1.55	1.55	1.55
	77°F	TC	22661	22692	22716	22717	22748	25462	25495	25524	25528	25557	26996	27026	27055	27059	27093
		S/T	0.52	0.61	0.69	0.69	0.79	0.59	0.69	0.78	0.78	0.89	0.62	0.73	0.83	0.83	0.94
		PI	1.23	1.23	1.23	1.23	1.23	1.38	1.38	1.39	1.39	1.39	1.47	1.47	1.47	1.47	1.47
	80°F	TC	22505	22535	22559	22560	22591	25287	25320	25348	25352	25381	26810	26839	26869	26873	26906
		S/T	0.53	0.62	0.70	0.70	0.80	0.59	0.70	0.79	0.79	0.90	0.63	0.74	0.84	0.84	0.95
		PI	1.21	1.21	1.21	1.21	1.21	1.36	1.36	1.36	1.36	1.36	1.44	1.44	1.44	1.44	1.44
	86°F	TC	23048	23079	23104	23105	23136	25897	25931	25960	25964	25993	27457	27487	27517	27521	27556
		S/T	0.53	0.63	0.71	0.71	0.81	0.60	0.70	0.80	0.80	0.91	0.64	0.75	0.85	0.85	0.97
		PI	1.75	1.75	1.75	1.75	1.76	1.97	1.97	1.97	1.97	1.97	2.08	2.09	2.09	2.09	2.09
	95°F	TC	23871	23903	23929	23930	23962	26822	26857	26887	26892	26922	28438	28469	28500	28504	28540
		S/T	0.53	0.63	0.71	0.71	0.81	0.60	0.70	0.80	0.80	0.91	0.64	0.75	0.85	0.85	0.97
		PI	2.57	2.57	2.58	2.58	2.58	2.89	2.89	2.90	2.90	2.90	3.06	3.07	3.07	3.07	3.07
	104°F	TC	22209	22239	22263	22264	22294	24954	24986	25014	25019	25047	26457	26486	26515	26519	26552
		S/T	0.55	0.64	0.73	0.73	0.83	0.62	0.72	0.82	0.82	0.93	0.65	0.76	0.87	0.87	0.99
		PI	2.59	2.59	2.59	2.59	2.60	2.91	2.91	2.91	2.92	2.92	3.08	3.09	3.09	3.09	3.09
	110°F	TC	21211	21240	21263	21264	21292	23833	23864	23891	23895	23922	25269	25297	25324	25328	25360
		S/T	0.57	0.67	0.76	0.76	0.86	0.64	0.75	0.85	0.85	0.97	0.68	0.79	0.90	0.90	1.00
		PI	2.60	2.60	2.60	2.60	2.61	2.92	2.92	2.93	2.93	2.93	3.09	3.10	3.10	3.10	3.11
	115°F	TC	19263	19289	19309	19310	19336	21644	21672	21696	21700	21724	22948	22973	22998	23001	23030
		S/T	0.57	0.67	0.77	0.77	0.87	0.65	0.76	0.86	0.86	0.98	0.68	0.80	0.91	0.91	1.00
		PI	2.46	2.46	2.46	2.46	2.47	2.76	2.77	2.77	2.77	2.77	2.93	2.93	2.93	2.94	2.94
122°F	TC	16664	16687	16705	16705	16728	18724	18749	18769	18773	18794	19852	19874	19896	19899	19923	
	S/T	0.59	0.69	0.78	0.78	0.89	0.66	0.77	0.88	0.88	1.00	0.70	0.82	0.93	0.93	1.00	
	PI	2.27	2.28	2.28	2.28	2.28	2.55	2.56	2.56	2.56	2.56	2.71	2.71	2.71	2.71	2.72	

TC:Total Cooling Capacity (BTU/hr)

S/T:Sensible Cooling Capacity Ratio

PI:Power Input(kW)

24HSHP-HE-SYS Expanded Heating @ 629 CFM

CFM	HEATING PERFORMANCE AT INDOOR DRY BULB TEMPERATURE										
	OD DB (°F)	TC: Total Heating Capacity(BTU/hr)					PI: Power Input(kW)				
		Indoor Conditions (DB °F)					Indoor Conditions (DB °F)				
		60.8°F	68°F	70°F	71.6°F	75.2°F	60.8°F	68°F	70°F	71.6°F	75.2°F
629	-13°F	13021	12761	12697	12463	12351	2.13	2.15	2.15	2.15	2.16
	-4°F	15181	14877	14803	14530	14399	2.28	2.30	2.30	2.31	2.32
	0°F	16449	16120	16039	15744	15602	2.36	2.38	2.38	2.39	2.40
	5°F	18034	17674	17585	17261	17106	2.46	2.48	2.49	2.49	2.50
	14°F	19446	19057	18961	18612	18444	2.53	2.56	2.56	2.57	2.58
	17°F	19916	19518	19420	19062	18891	2.56	2.58	2.58	2.59	2.60
	22°F	20166	19763	19664	19301	19128	2.52	2.54	2.54	2.55	2.56
	27°F	20416	20008	19908	19541	19365	2.47	2.49	2.50	2.50	2.51
	32°F	20666	20253	20152	19780	19602	2.43	2.45	2.45	2.46	2.47
	35°F	20816	20400	20298	19924	19745	2.40	2.42	2.43	2.43	2.44
	37°F	22329	21883	21773	21372	21180	2.47	2.49	2.50	2.50	2.51
	42°F	26112	25590	25462	24993	24768	2.64	2.66	2.67	2.67	2.68
	44.6°F	27625	27073	26937	26441	26203	2.71	2.73	2.74	2.74	2.75
	47°F	29895	29297	29150	28613	28356	2.81	2.83	2.84	2.84	2.85
	52°F	27697	27143	27007	26509	26271	2.73	2.75	2.75	2.76	2.77
	57°F	25499	24989	24864	24405	24186	2.64	2.66	2.67	2.68	2.69
	59°F	24619	24127	24006	23564	23352	2.61	2.63	2.64	2.64	2.65
62°F	23300	22834	22720	22301	22101	2.56	2.58	2.59	2.59	2.60	
64.4°F	22421	21973	21863	21460	21267	2.53	2.55	2.55	2.56	2.57	

24HSHP-HE-SYS Expanded Heating @ 694 CFM

CFM	HEATING PERFORMANCE AT INDOOR DRY BULB TEMPERATURE										
	OD DB (°F)	TC: Total Heating Capacity(BTU/hr)					PI: Power Input(kW)				
		Indoor Conditions (DB °F)					Indoor Conditions (DB °F)				
		60.8°F	68°F	70°F	71.6°F	75.2°F	60.8°F	68°F	70°F	71.6°F	75.2°F
694	-13°F	13720	13445	13378	13228	13109	2.15	2.17	2.17	2.18	2.18
	-4°F	15995	15675	15597	15422	15283	2.30	2.32	2.32	2.33	2.34
	0°F	17332	16985	16900	16710	16560	2.38	2.40	2.41	2.41	2.42
	5°F	19002	18622	18529	18321	18156	2.49	2.51	2.51	2.52	2.53
	14°F	20489	20079	19979	19754	19576	2.56	2.58	2.59	2.59	2.60
	17°F	20985	20565	20462	20232	20050	2.58	2.60	2.61	2.62	2.63
	22°F	21248	20823	20719	20486	20302	2.54	2.56	2.57	2.57	2.58
	27°F	21512	21081	20976	20740	20554	2.50	2.52	2.52	2.53	2.54
	32°F	21775	21340	21233	20994	20805	2.45	2.47	2.48	2.48	2.49
	35°F	21933	21495	21387	21147	20956	2.43	2.45	2.45	2.46	2.47
	37°F	23528	23057	22942	22684	22480	2.50	2.52	2.52	2.53	2.54
	42°F	27513	26963	26828	26527	26288	2.67	2.69	2.69	2.70	2.71
	44.6°F	29108	28525	28383	28064	27811	2.74	2.76	2.76	2.77	2.78
	47°F	31499	30869	30715	30369	30096	2.84	2.86	2.87	2.87	2.88
	52°F	29183	28599	28456	28136	27883	2.75	2.78	2.78	2.79	2.80
	57°F	26867	26329	26198	25903	25670	2.67	2.69	2.70	2.70	2.71
	59°F	25940	25422	25294	25010	24785	2.64	2.66	2.66	2.67	2.68
62°F	24551	24060	23939	23670	23457	2.59	2.61	2.61	2.62	2.63	
64.4°F	23624	23152	23036	22777	22572	2.55	2.57	2.58	2.58	2.59	

24HSHP-HE-SYS Expanded Heating @ 759 CFM

CFM	HEATING PERFORMANCE AT INDOOR DRY BULB TEMPERATURE										
	OD DB (°F)	TC: Total Heating Capacity(BTU/hr)					PI: Power Input(kW)				
		Indoor Conditions (DB °F)					Indoor Conditions (DB °F)				
		60.8°F	68°F	70°F	71.6°F	75.2°F	60.8°F	68°F	70°F	71.6°F	75.2°F
759	-13°F	14456	14167	14096	14040	13913	2.17	2.19	2.19	2.20	2.21
	-4°F	16854	16517	16434	16368	16221	2.32	2.34	2.35	2.35	2.36
	0°F	18262	17897	17807	17736	17576	2.41	2.43	2.43	2.44	2.45
	5°F	20022	19621	19523	19445	19270	2.51	2.53	2.54	2.54	2.55
	14°F	21588	21157	21051	20967	20778	2.59	2.61	2.61	2.62	2.63
	17°F	22111	21668	21560	21474	21281	2.61	2.63	2.64	2.64	2.65
	22°F	22388	21941	21831	21744	21548	2.57	2.59	2.59	2.60	2.61
	27°F	22666	22213	22102	22013	21815	2.52	2.54	2.55	2.55	2.56
	32°F	22944	22485	22372	22283	22082	2.48	2.50	2.50	2.51	2.52
	35°F	23110	22648	22535	22445	22243	2.45	2.47	2.48	2.48	2.49
	37°F	24790	24294	24173	24076	23859	2.52	2.54	2.55	2.55	2.56
	42°F	28990	28410	28268	28155	27901	2.69	2.72	2.72	2.73	2.74
	44.6°F	30670	30056	29906	29786	29518	2.76	2.78	2.79	2.80	2.81
	47°F	33189	32526	32363	32233	31943	2.87	2.89	2.89	2.90	2.91
	52°F	30749	30134	29983	29863	29595	2.78	2.80	2.81	2.82	2.83
	57°F	28309	27742	27604	27493	27246	2.70	2.72	2.72	2.73	2.74
	59°F	27332	26786	26652	26545	26306	2.66	2.69	2.69	2.70	2.71
62°F	25868	25351	25224	25123	24897	2.61	2.63	2.64	2.64	2.66	
64.4°F	24892	24394	24272	24175	23958	2.58	2.60	2.61	2.61	2.62	

24HSHP-HE-SYS Expanded Heating @ 824 CFM

CFM	HEATING PERFORMANCE AT INDOOR DRY BULB TEMPERATURE										
	OD DB (°F)	TC: Total Heating Capacity(BTU/hr)					PI: Power Input(kW)				
		Indoor Conditions (DB °F)					Indoor Conditions (DB °F)				
		60.8°F	68°F	70°F	71.6°F	75.2°F	60.8°F	68°F	70°F	71.6°F	75.2°F
824	-13°F	15232	14927	14852	14793	14660	2.19	2.21	2.22	2.22	2.23
	-4°F	17758	17403	17316	17247	17091	2.35	2.37	2.37	2.38	2.39
	0°F	19242	18857	18763	18688	18519	2.43	2.45	2.46	2.46	2.47
	5°F	21096	20674	20571	20489	20304	2.54	2.56	2.57	2.57	2.58
	14°F	22747	22292	22181	22092	21893	2.61	2.63	2.64	2.64	2.65
	17°F	23297	22831	22717	22626	22423	2.64	2.66	2.66	2.67	2.68
	22°F	23590	23118	23002	22910	22704	2.59	2.61	2.62	2.62	2.63
	27°F	23882	23405	23288	23195	22986	2.55	2.57	2.57	2.58	2.59
	32°F	24175	23691	23573	23479	23267	2.50	2.52	2.53	2.53	2.54
	35°F	24350	23863	23744	23649	23436	2.48	2.50	2.50	2.51	2.52
	37°F	26120	25598	25470	25368	25140	2.55	2.57	2.57	2.58	2.59
	42°F	30545	29934	29785	29666	29399	2.72	2.74	2.75	2.75	2.77
	44.6°F	32315	31669	31511	31385	31102	2.79	2.81	2.82	2.82	2.84
	47°F	34970	34271	34100	33963	33657	2.89	2.92	2.92	2.93	2.94
	52°F	32399	31751	31592	31466	31183	2.81	2.83	2.84	2.84	2.86
	57°F	29828	29231	29085	28969	28708	2.72	2.75	2.75	2.76	2.77
	59°F	28799	28223	28082	27970	27718	2.69	2.71	2.72	2.72	2.73
62°F	27256	26711	26578	26471	26233	2.64	2.66	2.67	2.67	2.68	
64.4°F	26228	25703	25575	25472	25243	2.61	2.63	2.63	2.64	2.65	

30HSHP-HE-SYS Expanded Cooling @ 712 CFM

CFM	ODDB	ID WB(°F)	60.8°F					67.0°F					71.6°F				
		ID DB(°F)	73.4°F	77.0°F	80.0°F	80.6°F	84.2°F	73.4°F	77.0°F	80.0°F	80.6°F	84.2°F	73.4°F	77.0°F	80.0°F	80.6°F	84.2°F
712	50°F	TC	23604	23636	23662	23663	23695	26522	26557	26586	26591	26621	28120	28151	28181	28186	28221
		S/T	0.40	0.47	0.54	0.54	0.61	0.45	0.53	0.60	0.60	0.69	0.48	0.56	0.64	0.64	0.73
		PI	1.47	1.47	1.47	1.47	1.48	1.65	1.65	1.66	1.66	1.66	1.75	1.75	1.75	1.75	1.76
	59°F	TC	24178	24210	24236	24237	24270	27166	27202	27232	27237	27267	28803	28835	28866	28870	28906
		S/T	0.41	0.48	0.54	0.54	0.62	0.46	0.53	0.61	0.61	0.69	0.48	0.57	0.64	0.64	0.73
		PI	1.50	1.51	1.51	1.51	1.51	1.69	1.69	1.69	1.70	1.70	1.79	1.79	1.80	1.80	1.80
	68°F	TC	24751	24784	24811	24812	24846	27811	27847	27878	27883	27914	29486	29518	29550	29555	29592
		S/T	0.42	0.49	0.55	0.55	0.63	0.47	0.55	0.62	0.62	0.71	0.50	0.58	0.66	0.66	0.75
		PI	1.54	1.54	1.54	1.54	1.55	1.73	1.73	1.73	1.73	1.74	1.83	1.84	1.84	1.84	1.84
	77°F	TC	25324	25358	25386	25387	25421	28455	28492	28523	28529	28561	30169	30202	30235	30240	30277
		S/T	0.42	0.49	0.56	0.56	0.64	0.47	0.56	0.63	0.63	0.72	0.50	0.59	0.67	0.67	0.76
		PI	1.58	1.58	1.58	1.58	1.58	1.77	1.77	1.77	1.77	1.78	1.88	1.88	1.88	1.88	1.88
	80°F	TC	25519	25554	25581	25582	25617	28674	28711	28743	28748	28780	30401	30434	30468	30472	30510
		S/T	0.43	0.50	0.57	0.57	0.65	0.48	0.56	0.64	0.64	0.73	0.51	0.60	0.68	0.68	0.77
		PI	1.59	1.59	1.59	1.59	1.59	1.78	1.79	1.79	1.79	1.79	1.89	1.89	1.90	1.90	1.90
	86°F	TC	24589	24623	24649	24650	24683	27629	27665	27696	27701	27732	29294	29325	29357	29362	29399
		S/T	0.43	0.51	0.58	0.58	0.66	0.49	0.57	0.65	0.65	0.74	0.51	0.60	0.69	0.69	0.78
		PI	1.92	1.92	1.93	1.93	1.93	2.16	2.16	2.16	2.17	2.17	2.29	2.29	2.29	2.30	2.30
	95°F	TC	23180	23212	23237	23238	23269	26046	26080	26109	26114	26143	27615	27645	27675	27680	27714
		S/T	0.43	0.51	0.58	0.58	0.66	0.49	0.57	0.65	0.65	0.74	0.51	0.60	0.69	0.69	0.78
		PI	2.43	2.43	2.44	2.44	2.44	2.73	2.73	2.74	2.74	2.74	2.89	2.90	2.90	2.90	2.90
	104°F	TC	21449	21478	21501	21502	21531	24100	24132	24158	24163	24190	25552	25580	25608	25612	25644
		S/T	0.44	0.52	0.59	0.59	0.67	0.50	0.58	0.66	0.66	0.76	0.53	0.62	0.70	0.70	0.80
		PI	2.56	2.56	2.56	2.56	2.57	2.87	2.88	2.88	2.88	2.89	3.05	3.05	3.05	3.05	3.06
	110°F	TC	20410	20438	20460	20460	20488	22933	22963	22988	22993	23018	24315	24341	24368	24371	24402
		S/T	0.46	0.54	0.61	0.61	0.70	0.52	0.61	0.69	0.69	0.78	0.55	0.64	0.73	0.73	0.83
		PI	2.64	2.64	2.64	2.64	2.65	2.96	2.97	2.97	2.97	2.97	3.14	3.14	3.15	3.15	3.15
	115°F	TC	16138	16160	16177	16178	16200	18133	18156	18176	18180	18200	19225	19246	19267	19270	19294
		S/T	0.46	0.55	0.62	0.62	0.71	0.52	0.61	0.70	0.70	0.79	0.55	0.65	0.74	0.74	0.84
		PI	2.05	2.06	2.06	2.06	2.06	2.31	2.31	2.31	2.31	2.32	2.45	2.45	2.45	2.45	2.46
122°F	TC	10442	10456	10467	10467	10482	11732	11748	11761	11763	11776	12439	12453	12466	12468	12484	
	S/T	0.48	0.56	0.63	0.63	0.72	0.53	0.63	0.71	0.71	0.81	0.57	0.66	0.75	0.75	0.86	
	PI	1.28	1.28	1.28	1.28	1.28	1.44	1.44	1.44	1.44	1.44	1.52	1.53	1.53	1.53	1.53	

TC:Total Cooling Capacity (BTU/hr)

S/T:Sensible Cooling Capacity Ratio

PI:Power Input(kW)

30HSHP-HE-SYS Expanded Cooling @ 806 CFM

CFM	ODDB	ID WB(°F)	60.8°F					67.0°F					71.6°F				
		ID DB(°F)	73.4°F	77.0°F	80.0°F	80.6°F	84.2°F	73.4°F	77.0°F	80.0°F	80.6°F	84.2°F	73.4°F	77.0°F	80.0°F	80.6°F	84.2°F
806	50°F	TC	25329	25363	25391	25392	25426	28460	28497	28529	28534	28566	30175	30208	30241	30245	30283
		S/T	0.43	0.51	0.58	0.58	0.66	0.49	0.57	0.65	0.65	0.74	0.52	0.60	0.69	0.69	0.78
		PI	1.58	1.58	1.58	1.58	1.58	1.77	1.77	1.78	1.78	1.78	1.88	1.88	1.88	1.88	1.89
	59°F	TC	25944	25979	26007	26009	26044	29151	29189	29222	29227	29260	30908	30942	30975	30980	31019
		S/T	0.43	0.51	0.58	0.58	0.66	0.49	0.57	0.65	0.65	0.74	0.52	0.61	0.69	0.69	0.79
		PI	1.61	1.62	1.62	1.62	1.62	1.81	1.82	1.82	1.82	1.82	1.92	1.93	1.93	1.93	1.93
	68°F	TC	26560	26595	26624	26625	26661	29843	29881	29915	29920	29954	31641	31675	31710	31715	31754
		S/T	0.45	0.52	0.60	0.60	0.68	0.50	0.59	0.67	0.67	0.76	0.53	0.62	0.71	0.71	0.81
		PI	1.65	1.65	1.66	1.66	1.66	1.86	1.86	1.86	1.86	1.86	1.97	1.97	1.97	1.97	1.98
	77°F	TC	27175	27211	27241	27242	27279	30534	30574	30608	30613	30648	32374	32409	32444	32449	32490
		S/T	0.45	0.53	0.60	0.60	0.69	0.51	0.60	0.68	0.68	0.77	0.54	0.63	0.72	0.72	0.82
		PI	1.69	1.69	1.69	1.69	1.70	1.90	1.90	1.90	1.90	1.91	2.01	2.02	2.02	2.02	2.02
	80°F	TC	27384	27421	27450	27452	27489	30769	30809	30843	30849	30883	32623	32658	32694	32699	32740
		S/T	0.46	0.54	0.61	0.61	0.70	0.51	0.60	0.69	0.69	0.78	0.55	0.64	0.73	0.73	0.83
		PI	1.70	1.71	1.71	1.71	1.71	1.91	1.92	1.92	1.92	1.92	2.03	2.03	2.03	2.03	2.04
	86°F	TC	26386	26422	26450	26451	26487	29648	29686	29719	29725	29758	31434	31468	31503	31507	31547
		S/T	0.46	0.54	0.62	0.62	0.70	0.52	0.61	0.69	0.69	0.79	0.55	0.65	0.74	0.74	0.84
		PI	2.06	2.07	2.07	2.07	2.07	2.32	2.32	2.32	2.32	2.33	2.46	2.46	2.46	2.46	2.47
	95°F	TC	24874	24908	24935	24936	24969	27949	27985	28016	28022	28053	29633	29665	29697	29702	29739
		S/T	0.46	0.54	0.62	0.62	0.70	0.52	0.61	0.69	0.69	0.79	0.55	0.65	0.74	0.74	0.84
		PI	2.61	2.61	2.61	2.61	2.62	2.93	2.93	2.94	2.94	2.94	3.11	3.11	3.11	3.11	3.12
	104°F	TC	23016	23047	23072	23073	23104	25861	25895	25924	25929	25958	27420	27449	27479	27483	27518
		S/T	0.48	0.56	0.63	0.63	0.72	0.53	0.63	0.71	0.71	0.81	0.57	0.66	0.75	0.75	0.86
		PI	2.75	2.75	2.75	2.75	2.76	3.08	3.09	3.09	3.09	3.10	3.27	3.27	3.28	3.28	3.28
	110°F	TC	21901	21931	21955	21956	21985	24609	24641	24668	24673	24700	26091	26120	26148	26152	26185
		S/T	0.49	0.58	0.66	0.66	0.75	0.55	0.65	0.74	0.74	0.84	0.59	0.69	0.78	0.78	0.89
		PI	2.83	2.83	2.84	2.84	2.84	3.18	3.18	3.19	3.19	3.19	3.37	3.37	3.38	3.38	3.38
115°F	TC	17317	17340	17359	17360	17383	19458	19483	19505	19508	19530	20630	20652	20675	20678	20704	
	S/T	0.50	0.58	0.66	0.66	0.76	0.56	0.66	0.75	0.75	0.85	0.59	0.70	0.79	0.79	0.90	
	PI	2.20	2.21	2.21	2.21	2.21	2.48	2.48	2.48	2.48	2.49	2.63	2.63	2.63	2.63	2.64	
122°F	TC	11205	11220	11232	11232	11247	12590	12606	12620	12622	12636	13348	13363	13377	13379	13396	
	S/T	0.51	0.60	0.68	0.68	0.78	0.57	0.67	0.76	0.76	0.87	0.61	0.71	0.81	0.81	0.92	
	PI	1.37	1.37	1.38	1.38	1.38	1.54	1.54	1.55	1.55	1.55	1.64	1.64	1.64	1.64	1.64	

TC:Total Cooling Capacity (BTU/hr)

S/T:Sensible Cooling Capacity Ratio

PI:Power Input(kW)

30HSHP-HE-SYS Expanded Cooling @ 894 CFM

CFM	ODDB	ID WB(°F)	60.8°F					67.0°F					71.6°F				
		ID DB(°F)	73.4°F	77.0°F	80.0°F	80.6°F	84.2°F	73.4°F	77.0°F	80.0°F	80.6°F	84.2°F	73.4°F	77.0°F	80.0°F	80.6°F	84.2°F
894	50°F	TC	27180	27217	27246	27247	27284	30540	30580	30614	30619	30653	32380	32415	32450	32455	32496
		S/T	0.46	0.54	0.62	0.62	0.71	0.52	0.61	0.70	0.70	0.79	0.55	0.65	0.74	0.74	0.84
		PI	1.69	1.69	1.70	1.70	1.70	1.90	1.90	1.91	1.91	1.91	2.02	2.02	2.02	2.02	2.02
	59°F	TC	27840	27878	27908	27909	27947	31282	31322	31357	31363	31398	33166	33202	33239	33244	33285
		S/T	0.47	0.55	0.62	0.62	0.71	0.52	0.62	0.70	0.70	0.80	0.56	0.65	0.74	0.74	0.84
		PI	1.73	1.74	1.74	1.74	1.74	1.95	1.95	1.95	1.95	1.95	2.06	2.07	2.07	2.07	2.07
	68°F	TC	28500	28539	28570	28571	28609	32023	32065	32101	32107	32143	33953	33990	34027	34032	34074
		S/T	0.48	0.56	0.64	0.64	0.73	0.54	0.63	0.72	0.72	0.82	0.57	0.67	0.76	0.76	0.87
		PI	1.77	1.78	1.78	1.78	1.78	1.99	2.00	2.00	2.00	2.00	2.11	2.11	2.12	2.12	2.12
	77°F	TC	29161	29200	29231	29233	29272	32765	32808	32844	32850	32887	34739	34777	34815	34820	34864
		S/T	0.49	0.57	0.65	0.65	0.74	0.55	0.64	0.73	0.73	0.83	0.58	0.68	0.77	0.77	0.88
		PI	1.81	1.82	1.82	1.82	1.82	2.04	2.04	2.04	2.04	2.05	2.16	2.16	2.17	2.17	2.17
	80°F	TC	29385	29425	29456	29458	29497	33017	33060	33097	33103	33140	35007	35045	35083	35088	35132
		S/T	0.49	0.58	0.66	0.66	0.75	0.55	0.65	0.74	0.74	0.84	0.59	0.69	0.78	0.78	0.89
		PI	1.83	1.83	1.83	1.83	1.83	2.05	2.06	2.06	2.06	2.06	2.18	2.18	2.18	2.18	2.19
	86°F	TC	28314	28352	28383	28384	28422	31814	31856	31891	31897	31933	33731	33768	33804	33810	33852
		S/T	0.50	0.58	0.66	0.66	0.76	0.56	0.66	0.75	0.75	0.85	0.59	0.70	0.79	0.79	0.90
		PI	2.21	2.22	2.22	2.22	2.22	2.49	2.49	2.49	2.49	2.50	2.64	2.64	2.64	2.64	2.65
	95°F	TC	26692	26728	26757	26758	26794	29991	30030	30064	30069	30103	31798	31833	31867	31872	31912
		S/T	0.50	0.58	0.66	0.66	0.76	0.56	0.66	0.75	0.75	0.85	0.59	0.70	0.79	0.79	0.90
		PI	2.80	2.80	2.80	2.80	2.81	3.14	3.15	3.15	3.15	3.15	3.33	3.34	3.34	3.34	3.34
	104°F	TC	24698	24731	24758	24759	24792	27751	27787	27818	27823	27854	29423	29455	29487	29492	29528
		S/T	0.51	0.60	0.68	0.68	0.78	0.57	0.67	0.76	0.76	0.87	0.61	0.71	0.81	0.81	0.92
		PI	2.95	2.95	2.95	2.95	2.96	3.31	3.31	3.32	3.32	3.32	3.51	3.51	3.52	3.52	3.52
	110°F	TC	23502	23533	23559	23560	23592	26407	26441	26471	26476	26505	27998	28028	28059	28063	28098
		S/T	0.53	0.62	0.70	0.71	0.80	0.59	0.70	0.79	0.79	0.90	0.63	0.74	0.84	0.84	0.96
		PI	3.03	3.04	3.04	3.04	3.05	3.41	3.41	3.42	3.42	3.42	3.62	3.62	3.62	3.62	3.63
115°F	TC	18582	18607	18628	18628	18653	20879	20907	20930	20934	20957	22137	22162	22186	22189	22217	
	S/T	0.53	0.63	0.71	0.71	0.81	0.60	0.71	0.80	0.80	0.91	0.64	0.75	0.85	0.85	0.97	
	PI	2.37	2.37	2.37	2.37	2.37	2.66	2.66	2.66	2.66	2.67	2.82	2.82	2.82	2.82	2.83	
122°F	TC	12023	12040	12052	12053	12069	13510	13527	13542	13545	13560	14324	14339	14355	14357	14375	
	S/T	0.55	0.64	0.73	0.73	0.83	0.62	0.72	0.82	0.82	0.93	0.65	0.76	0.87	0.87	0.99	
	PI	1.47	1.47	1.48	1.48	1.48	1.65	1.66	1.66	1.66	1.66	1.75	1.76	1.76	1.76	1.76	

TC:Total Cooling Capacity (BTU/hr)

S/T:Sensible Cooling Capacity Ratio

PI:Power Input(kW)

30HSHP-HE-SYS Expanded Cooling @ 988 CFM

CFM	ODDB	ID WB(°F)	60.8°F					67.0°F					71.6°F				
		ID DB(°F)	73.4°F	77.0°F	80.0°F	80.6°F	84.2°F	73.4°F	77.0°F	80.0°F	80.6°F	84.2°F	73.4°F	77.0°F	80.0°F	80.6°F	84.2°F
988	50°F	TC	29166	29205	29237	29238	29278	32771	32814	32851	32857	32893	34746	34784	34822	34827	34870
		S/T	0.50	0.58	0.66	0.66	0.76	0.56	0.66	0.75	0.75	0.85	0.59	0.70	0.79	0.79	0.90
		PI	1.82	1.82	1.82	1.82	1.82	2.04	2.04	2.05	2.05	2.05	2.16	2.17	2.17	2.17	2.17
	59°F	TC	29875	29915	29947	29948	29989	33567	33611	33648	33655	33692	35590	35629	35667	35673	35717
		S/T	0.50	0.59	0.67	0.67	0.76	0.56	0.66	0.75	0.75	0.86	0.60	0.70	0.80	0.80	0.91
		PI	1.86	1.86	1.86	1.86	1.87	2.09	2.09	2.09	2.09	2.10	2.22	2.22	2.22	2.22	2.22
	68°F	TC	30583	30624	30657	30658	30700	34363	34408	34446	34453	34491	36434	36473	36513	36519	36564
		S/T	0.51	0.60	0.69	0.69	0.78	0.58	0.68	0.77	0.77	0.88	0.61	0.72	0.82	0.82	0.93
		PI	1.90	1.91	1.91	1.91	1.91	2.14	2.14	2.14	2.14	2.15	2.27	2.27	2.27	2.27	2.28
	77°F	TC	31291	31333	31367	31369	31411	35159	35205	35244	35251	35290	37278	37318	37359	37365	37411
		S/T	0.52	0.61	0.69	0.69	0.79	0.59	0.69	0.78	0.78	0.89	0.62	0.73	0.83	0.83	0.94
		PI	1.95	1.95	1.95	1.95	1.95	2.19	2.19	2.19	2.19	2.20	2.32	2.32	2.32	2.32	2.33
	80°F	TC	31532	31575	31609	31610	31653	35430	35476	35516	35522	35562	37565	37606	37646	37652	37699
		S/T	0.53	0.62	0.70	0.70	0.80	0.59	0.70	0.79	0.79	0.90	0.63	0.74	0.84	0.84	0.95
		PI	1.96	1.96	1.97	1.97	1.97	2.20	2.21	2.21	2.21	2.21	2.34	2.34	2.34	2.34	2.34
	86°F	TC	30383	30424	30457	30458	30499	34139	34183	34221	34228	34266	36196	36235	36275	36280	36325
		S/T	0.53	0.63	0.71	0.71	0.81	0.60	0.70	0.80	0.80	0.91	0.64	0.75	0.85	0.85	0.97
		PI	2.37	2.38	2.38	2.38	2.38	2.67	2.67	2.67	2.68	2.68	2.83	2.83	2.84	2.84	2.84
	95°F	TC	28642	28681	28712	28713	28752	32183	32225	32260	32266	32302	34122	34159	34196	34201	34244
		S/T	0.53	0.63	0.71	0.71	0.81	0.60	0.70	0.80	0.80	0.91	0.64	0.75	0.85	0.85	0.97
		PI	3.00	3.01	3.01	3.01	3.01	3.37	3.38	3.38	3.38	3.39	3.58	3.58	3.58	3.58	3.59
	104°F	TC	26503	26538	26567	26568	26604	29779	29817	29851	29856	29890	31573	31607	31642	31647	31686
		S/T	0.55	0.64	0.73	0.73	0.83	0.62	0.72	0.82	0.82	0.93	0.65	0.76	0.87	0.87	0.99
		PI	3.16	3.17	3.17	3.17	3.17	3.55	3.56	3.56	3.56	3.57	3.77	3.77	3.77	3.77	3.78
	110°F	TC	25219	25253	25280	25281	25315	28336	28373	28405	28410	28442	30044	30076	30109	30114	30151
		S/T	0.57	0.67	0.76	0.76	0.86	0.64	0.75	0.85	0.85	0.97	0.68	0.79	0.90	0.90	1.00
		PI	3.26	3.26	3.26	3.26	3.27	3.66	3.66	3.67	3.67	3.67	3.88	3.88	3.89	3.89	3.89
115°F	TC	19940	19967	19989	19990	20016	22405	22434	22459	22463	22488	23755	23781	23807	23811	23840	
	S/T	0.57	0.67	0.77	0.77	0.87	0.65	0.76	0.86	0.86	0.98	0.68	0.80	0.91	0.91	1.00	
	PI	2.54	2.54	2.54	2.54	2.55	2.85	2.86	2.86	2.86	2.86	3.02	3.03	3.03	3.03	3.03	
122°F	TC	12902	12919	12933	12934	12951	14497	14516	14532	14534	14551	15370	15387	15404	15406	15425	
	S/T	0.59	0.69	0.78	0.78	0.89	0.66	0.77	0.88	0.88	1.00	0.70	0.82	0.93	0.93	1.00	
	PI	1.58	1.58	1.58	1.58	1.59	1.78	1.78	1.78	1.78	1.78	1.88	1.88	1.89	1.89	1.89	

TC:Total Cooling Capacity (BTU/hr)

S/T:Sensible Cooling Capacity Ratio

PI:Power Input(kW)

30HSHP-HE-SYS Expanded Heating @ 712 CFM

CFM	HEATING PERFORMANCE AT INDOOR DRY BULB TEMPERATURE										
	OD DB (°F)	TC: Total Heating Capacity(BTU/hr)					PI: Power Input(kW)				
		Indoor Conditions (DB °F)					Indoor Conditions (DB °F)				
		60.8°F	68°F	70°F	71.6°F	75.2°F	60.8°F	68°F	70°F	71.6°F	75.2°F
712	-13°F	10583	10371	10319	10200	10108	2.81	2.83	2.84	2.85	2.86
	-4°F	13400	13132	13067	12916	12799	2.73	2.75	2.76	2.76	2.78
	0°F	14709	14415	14343	14177	14050	2.86	2.88	2.89	2.89	2.91
	5°F	16346	16019	15939	15754	15612	3.02	3.04	3.05	3.06	3.07
	14°F	17718	17363	17276	17077	16923	2.98	3.01	3.01	3.02	3.03
	17°F	18175	17811	17722	17517	17360	2.97	3.00	3.00	3.01	3.02
	22°F	19312	18925	18831	18613	18445	2.99	3.02	3.03	3.03	3.04
	27°F	20448	20039	19939	19708	19531	3.02	3.04	3.05	3.06	3.07
	32°F	21585	21153	21048	20804	20617	3.04	3.07	3.07	3.08	3.09
	35°F	22267	21822	21713	21461	21268	3.06	3.08	3.09	3.09	3.11
	37°F	23437	22968	22854	22589	22386	3.03	3.05	3.06	3.06	3.08
	42°F	26362	25835	25706	25408	25180	2.95	2.97	2.98	2.99	3.00
	44.6°F	27532	26982	26847	26536	26297	2.92	2.94	2.95	2.96	2.97
	47°F	29287	28702	28558	28228	27973	2.87	2.90	2.90	2.91	2.92
	52°F	27134	26591	26458	26152	25917	2.79	2.81	2.82	2.82	2.83
	57°F	24980	24481	24358	24076	23860	2.71	2.73	2.73	2.74	2.75
	59°F	24119	23637	23518	23246	23037	2.67	2.69	2.70	2.70	2.71
62°F	22827	22370	22258	22001	21803	2.62	2.64	2.65	2.65	2.66	
64.4°F	21965	21526	21419	21171	20980	2.59	2.61	2.61	2.62	2.63	

30HSHP-HE-SYS Expanded Heating @ 806 CFM

CFM	HEATING PERFORMANCE AT INDOOR DRY BULB TEMPERATURE										
	OD DB (°F)	TC: Total Heating Capacity(BTU/hr)					PI: Power Input(kW)				
		Indoor Conditions (DB °F)					Indoor Conditions (DB °F)				
		60.8°F	68°F	70°F	71.6°F	75.2°F	60.8°F	68°F	70°F	71.6°F	75.2°F
806	-13°F	11356	11129	11073	10987	10888	2.84	2.86	2.87	2.87	2.89
	-4°F	14380	14092	14022	13912	13787	2.76	2.78	2.79	2.79	2.80
	0°F	15784	15469	15391	15271	15134	2.89	2.91	2.92	2.92	2.93
	5°F	17540	17189	17103	16970	16817	3.05	3.07	3.08	3.09	3.10
	14°F	19012	18632	18539	18394	18229	3.01	3.04	3.04	3.05	3.06
	17°F	19503	19113	19017	18869	18699	3.00	3.03	3.03	3.04	3.05
	22°F	20723	20308	20207	20049	19869	3.03	3.05	3.06	3.06	3.07
	27°F	21943	21504	21396	21229	21038	3.05	3.07	3.08	3.09	3.10
	32°F	23162	22699	22586	22410	22208	3.07	3.10	3.10	3.11	3.12
	35°F	23894	23416	23299	23118	22910	3.09	3.11	3.12	3.12	3.14
	37°F	25150	24647	24523	24332	24113	3.06	3.08	3.09	3.09	3.11
	42°F	28288	27723	27584	27369	27123	2.98	3.00	3.01	3.02	3.03
	44.6°F	29544	28953	28808	28584	28327	2.95	2.97	2.98	2.98	3.00
	47°F	31427	30799	30645	30406	30132	2.90	2.93	2.93	2.94	2.95
	52°F	29116	28534	28391	28170	27917	2.82	2.84	2.85	2.85	2.86
	57°F	26806	26270	26138	25934	25701	2.73	2.75	2.76	2.77	2.78
	59°F	25881	25364	25237	25040	24815	2.70	2.72	2.73	2.73	2.74
62°F	24495	24005	23885	23699	23485	2.65	2.67	2.67	2.68	2.69	
64.4°F	23570	23099	22984	22804	22599	2.61	2.63	2.64	2.64	2.66	

30HSHP-HE-SYS Expanded Heating @ 894 CFM

CFM	HEATING PERFORMANCE AT INDOOR DRY BULB TEMPERATURE										
	OD DB (°F)	TC: Total Heating Capacity(BTU/hr)					PI: Power Input(kW)				
		Indoor Conditions (DB °F)					Indoor Conditions (DB °F)				
		60.8°F	68°F	70°F	71.6°F	75.2°F	60.8°F	68°F	70°F	71.6°F	75.2°F
894	-13°F	12186	11942	11882	11835	11728	2.87	2.89	2.90	2.90	2.92
	-4°F	15430	15122	15046	14986	14851	2.79	2.81	2.81	2.82	2.83
	0°F	16938	16599	16516	16450	16302	2.92	2.94	2.95	2.95	2.96
	5°F	18822	18445	18353	18280	18115	3.08	3.11	3.11	3.12	3.13
	14°F	20402	19994	19894	19814	19636	3.04	3.07	3.07	3.08	3.09
	17°F	20928	20510	20407	20325	20142	3.03	3.06	3.06	3.07	3.08
	22°F	22237	21792	21683	21597	21402	3.06	3.08	3.09	3.09	3.11
	27°F	23546	23075	22960	22868	22662	3.08	3.10	3.11	3.12	3.13
	32°F	24855	24358	24236	24139	23922	3.10	3.13	3.14	3.14	3.15
	35°F	25640	25127	25002	24902	24678	3.12	3.14	3.15	3.16	3.17
	37°F	26987	26448	26315	26210	25974	3.09	3.11	3.12	3.13	3.14
	42°F	30356	29748	29600	29481	29216	3.01	3.03	3.04	3.05	3.06
	44.6°F	31703	31069	30913	30790	30513	2.98	3.00	3.01	3.02	3.03
	47°F	33724	33049	32884	32752	32458	2.93	2.96	2.96	2.97	2.98
	52°F	31244	30619	30466	30344	30071	2.85	2.87	2.87	2.88	2.89
	57°F	28764	28189	28048	27936	27685	2.76	2.78	2.79	2.79	2.80
	59°F	27773	27217	27081	26973	26730	2.73	2.75	2.75	2.76	2.77
62°F	26285	25759	25630	25528	25298	2.67	2.70	2.70	2.71	2.72	
64.4°F	25293	24787	24663	24564	24343	2.64	2.66	2.67	2.67	2.68	

30HSHP-HE-SYS Expanded Heating @ 988 CFM

CFM	HEATING PERFORMANCE AT INDOOR DRY BULB TEMPERATURE										
	OD DB (°F)	TC: Total Heating Capacity(BTU/hr)					PI: Power Input(kW)				
		Indoor Conditions (DB °F)					Indoor Conditions (DB °F)				
		60.8°F	68°F	70°F	71.6°F	75.2°F	60.8°F	68°F	70°F	71.6°F	75.2°F
988	-13°F	13076	12815	12751	12700	12585	2.90	2.92	2.93	2.93	2.94
	-4°F	16558	16227	16146	16081	15936	2.81	2.84	2.84	2.85	2.86
	0°F	18175	17812	17723	17652	17493	2.95	2.97	2.98	2.98	2.99
	5°F	20197	19793	19694	19615	19439	3.11	3.14	3.14	3.15	3.16
	14°F	21892	21454	21347	21262	21070	3.07	3.10	3.11	3.11	3.12
	17°F	22457	22008	21898	21811	21614	3.06	3.09	3.09	3.10	3.11
	22°F	23862	23385	23268	23175	22966	3.09	3.11	3.12	3.12	3.14
	27°F	25266	24761	24637	24539	24318	3.11	3.14	3.14	3.15	3.16
	32°F	26671	26138	26007	25903	25670	3.14	3.16	3.17	3.17	3.19
	35°F	27514	26963	26829	26721	26481	3.15	3.18	3.18	3.19	3.20
	37°F	28959	28380	28238	28125	27872	3.12	3.14	3.15	3.16	3.17
	42°F	32574	31922	31763	31636	31351	3.04	3.07	3.07	3.08	3.09
	44.6°F	34019	33339	33172	33040	32742	3.01	3.03	3.04	3.05	3.06
	47°F	36188	35464	35287	35146	34829	2.96	2.99	2.99	3.00	3.01
	52°F	33527	32857	32692	32562	32268	2.87	2.90	2.90	2.91	2.92
	57°F	30866	30249	30098	29977	29707	2.79	2.81	2.82	2.82	2.83
	59°F	29802	29206	29060	28944	28683	2.75	2.78	2.78	2.79	2.80
62°F	28205	27641	27503	27393	27146	2.70	2.72	2.73	2.73	2.74	
64.4°F	27141	26598	26465	26359	26122	2.67	2.69	2.69	2.70	2.71	

36HSHP-HE-SYS Expanded Cooling @ 865 CFM

CFM	ODDB	ID WB(°F)	60.8°F					67.0°F					71.6°F				
		ID DB(°F)	73.4°F	77.0°F	80.0°F	80.6°F	84.2°F	73.4°F	77.0°F	80.0°F	80.6°F	84.2°F	73.4°F	77.0°F	80.0°F	80.6°F	84.2°F
865	50°F	TC	28145	28183	28213	28214	28253	31624	31665	31700	31706	31742	33529	33566	33602	33608	33649
		S/T	0.41	0.48	0.55	0.55	0.63	0.46	0.54	0.62	0.62	0.70	0.49	0.57	0.65	0.65	0.74
		PI	2.20	2.21	2.21	2.21	2.21	2.47	2.48	2.48	2.48	2.48	2.62	2.63	2.63	2.63	2.63
	59°F	TC	27513	27550	27580	27581	27618	30914	30954	30988	30994	31029	32776	32812	32848	32853	32894
		S/T	0.41	0.49	0.55	0.55	0.63	0.46	0.55	0.62	0.62	0.71	0.49	0.58	0.66	0.66	0.75
		PI	2.20	2.20	2.20	2.20	2.21	2.47	2.47	2.48	2.48	2.48	2.62	2.62	2.62	2.63	2.63
	68°F	TC	26881	26917	26946	26947	26984	30204	30243	30277	30282	30316	32024	32058	32093	32098	32138
		S/T	0.42	0.50	0.57	0.57	0.65	0.48	0.56	0.64	0.64	0.72	0.51	0.59	0.67	0.67	0.77
		PI	2.20	2.20	2.20	2.20	2.20	2.47	2.47	2.47	2.47	2.48	2.61	2.62	2.62	2.62	2.62
	77°F	TC	26249	26284	26313	26314	26349	29494	29532	29565	29570	29603	31271	31305	31339	31343	31383
		S/T	0.43	0.50	0.57	0.57	0.65	0.48	0.57	0.64	0.64	0.73	0.51	0.60	0.68	0.68	0.78
		PI	2.19	2.19	2.20	2.20	2.20	2.46	2.47	2.47	2.47	2.47	2.61	2.61	2.62	2.62	2.62
	80°F	TC	26034	26069	26097	26098	26133	29252	29290	29323	29328	29361	31015	31048	31082	31087	31126
		S/T	0.44	0.51	0.58	0.58	0.66	0.49	0.57	0.65	0.65	0.74	0.52	0.61	0.69	0.69	0.79
		PI	2.19	2.19	2.20	2.20	2.20	2.46	2.46	2.47	2.47	2.47	2.61	2.61	2.61	2.62	2.62
	86°F	TC	26179	26214	26243	26244	26279	29415	29453	29486	29492	29525	31188	31221	31255	31260	31299
		S/T	0.44	0.52	0.59	0.59	0.67	0.50	0.58	0.66	0.66	0.75	0.53	0.62	0.70	0.70	0.80
		PI	2.49	2.50	2.50	2.50	2.50	2.80	2.81	2.81	2.81	2.81	2.97	2.97	2.98	2.98	2.98
	95°F	TC	26399	26435	26463	26464	26500	29662	29701	29734	29740	29773	31450	31484	31518	31523	31562
		S/T	0.44	0.52	0.59	0.59	0.67	0.50	0.58	0.66	0.66	0.75	0.53	0.62	0.70	0.70	0.80
		PI	2.95	2.96	2.96	2.96	2.96	3.32	3.32	3.33	3.33	3.33	3.52	3.52	3.53	3.53	3.53
	104°F	TC	24388	24421	24448	24449	24482	27403	27439	27469	27474	27505	29054	29086	29117	29122	29158
		S/T	0.45	0.53	0.60	0.60	0.69	0.51	0.60	0.68	0.68	0.77	0.54	0.63	0.72	0.72	0.82
		PI	2.81	2.81	2.82	2.82	2.82	3.16	3.16	3.16	3.16	3.17	3.35	3.35	3.35	3.35	3.36
	110°F	TC	23182	23213	23238	23239	23270	26047	26081	26110	26115	26144	27617	27647	27677	27681	27716
		S/T	0.47	0.55	0.62	0.62	0.71	0.53	0.62	0.70	0.70	0.80	0.56	0.65	0.74	0.74	0.85
		PI	2.72	2.73	2.73	2.73	2.73	3.06	3.06	3.07	3.07	3.07	3.24	3.25	3.25	3.25	3.25
115°F	TC	17666	17690	17709	17710	17734	19850	19876	19898	19902	19924	21046	21069	21092	21095	21122	
	S/T	0.47	0.56	0.63	0.63	0.72	0.53	0.63	0.71	0.71	0.81	0.56	0.66	0.75	0.75	0.86	
	PI	2.17	2.18	2.18	2.18	2.18	2.44	2.45	2.45	2.45	2.45	2.59	2.59	2.60	2.60	2.60	
122°F	TC	10313	10326	10338	10338	10352	11587	11602	11615	11617	11630	12285	12299	12312	12314	12329	
	S/T	0.49	0.57	0.65	0.65	0.74	0.55	0.64	0.73	0.73	0.83	0.58	0.68	0.77	0.77	0.88	
	PI	1.44	1.45	1.45	1.45	1.45	1.62	1.63	1.63	1.63	1.63	1.72	1.72	1.72	1.72	1.73	

TC:Total Cooling Capacity (BTU/hr)

S/T:Sensible Cooling Capacity Ratio

PI:Power Input(kW)

36HSHP-HE-SYS Expanded Cooling @ 971 CFM

CFM	ODDB	ID WB(°F)	60.8°F					67.0°F					71.6°F				
		ID DB(°F)	73.4°F	77.0°F	80.0°F	80.6°F	84.2°F	73.4°F	77.0°F	80.0°F	80.6°F	84.2°F	73.4°F	77.0°F	80.0°F	80.6°F	84.2°F
971	50°F	TC	29998	30039	30071	30072	30113	33706	33750	33788	33794	33832	35737	35776	35815	35821	35865
		S/T	0.44	0.51	0.58	0.58	0.67	0.49	0.58	0.66	0.66	0.75	0.52	0.61	0.70	0.70	0.79
		PI	2.35	2.35	2.35	2.35	2.36	2.64	2.64	2.64	2.64	2.65	2.80	2.80	2.80	2.80	2.81
	59°F	TC	29325	29364	29396	29397	29437	32950	32992	33029	33035	33072	34935	34973	35011	35016	35060
		S/T	0.44	0.52	0.59	0.59	0.67	0.50	0.58	0.66	0.66	0.75	0.52	0.62	0.70	0.70	0.80
		PI	2.34	2.35	2.35	2.35	2.35	2.63	2.64	2.64	2.64	2.64	2.79	2.79	2.80	2.80	2.80
	68°F	TC	28651	28690	28720	28722	28761	32193	32234	32270	32276	32312	34132	34169	34207	34212	34254
		S/T	0.45	0.53	0.60	0.60	0.69	0.51	0.60	0.68	0.68	0.77	0.54	0.63	0.72	0.72	0.82
		PI	2.34	2.34	2.35	2.35	2.35	2.63	2.63	2.64	2.64	2.64	2.79	2.79	2.79	2.79	2.80
	77°F	TC	27977	28015	28045	28046	28084	31436	31477	31512	31517	31553	33330	33366	33402	33407	33449
		S/T	0.46	0.54	0.61	0.61	0.70	0.51	0.60	0.69	0.69	0.78	0.55	0.64	0.73	0.73	0.83
		PI	2.34	2.34	2.34	2.34	2.34	2.62	2.63	2.63	2.63	2.63	2.78	2.79	2.79	2.79	2.79
	80°F	TC	27748	27786	27816	27817	27854	31178	31219	31254	31259	31294	33057	33093	33129	33134	33175
		S/T	0.46	0.54	0.62	0.62	0.71	0.52	0.61	0.70	0.70	0.79	0.55	0.65	0.74	0.74	0.84
		PI	2.33	2.34	2.34	2.34	2.34	2.62	2.63	2.63	2.63	2.63	2.78	2.78	2.79	2.79	2.79
	86°F	TC	27903	27941	27971	27972	28010	31352	31393	31428	31434	31469	33241	33277	33314	33319	33360
		S/T	0.47	0.55	0.63	0.63	0.71	0.53	0.62	0.70	0.70	0.80	0.56	0.66	0.75	0.75	0.85
		PI	2.66	2.66	2.66	2.66	2.67	2.99	2.99	2.99	2.99	3.00	3.17	3.17	3.17	3.17	3.18
	95°F	TC	28138	28176	28206	28207	28245	31616	31657	31692	31698	31733	33521	33557	33594	33599	33641
		S/T	0.47	0.55	0.63	0.63	0.71	0.53	0.62	0.70	0.70	0.80	0.56	0.66	0.75	0.75	0.85
		PI	3.15	3.15	3.16	3.16	3.16	3.54	3.54	3.55	3.55	3.55	3.75	3.75	3.76	3.76	3.76
	104°F	TC	25994	26029	26057	26059	26094	29208	29246	29278	29284	29316	30967	31001	31035	31040	31078
		S/T	0.48	0.57	0.64	0.64	0.73	0.54	0.64	0.72	0.72	0.82	0.57	0.67	0.77	0.77	0.87
		PI	2.99	3.00	3.00	3.00	3.01	3.36	3.37	3.37	3.37	3.38	3.57	3.57	3.57	3.57	3.58
	110°F	TC	24708	24742	24768	24769	24803	27763	27799	27830	27835	27866	29435	29467	29499	29504	29541
		S/T	0.50	0.59	0.67	0.67	0.76	0.56	0.66	0.75	0.75	0.85	0.59	0.70	0.79	0.79	0.90
		PI	2.90	2.90	2.91	2.91	2.91	3.26	3.26	3.27	3.27	3.27	3.46	3.46	3.46	3.46	3.47
115°F	TC	18830	18855	18875	18876	18902	21157	21185	21208	21212	21236	22432	22457	22481	22484	22512	
	S/T	0.51	0.59	0.67	0.67	0.77	0.57	0.67	0.76	0.76	0.86	0.60	0.71	0.80	0.80	0.91	
	PI	2.32	2.32	2.32	2.32	2.33	2.60	2.61	2.61	2.61	2.61	2.76	2.76	2.77	2.77	2.77	
122°F	TC	10992	11006	11018	11019	11034	12350	12366	12380	12382	12396	13094	13109	13123	13125	13141	
	S/T	0.52	0.61	0.69	0.69	0.79	0.58	0.68	0.77	0.77	0.88	0.62	0.72	0.82	0.82	0.94	
	PI	1.54	1.54	1.54	1.54	1.55	1.73	1.73	1.73	1.73	1.74	1.83	1.84	1.84	1.84	1.84	

TC:Total Cooling Capacity (BTU/hr)

S/T:Sensible Cooling Capacity Ratio

PI:Power Input(kW)

36HSHP-HE-SYS Expanded Cooling @ 1,082 CFM

CFM	ODDB	ID WB(°F)	60.8°F					67.0°F					71.6°F				
		ID DB(°F)	73.4°F	77.0°F	80.0°F	80.6°F	84.2°F	73.4°F	77.0°F	80.0°F	80.6°F	84.2°F	73.4°F	77.0°F	80.0°F	80.6°F	84.2°F
1082	50°F	TC	31974	32017	32051	32053	32096	35926	35973	36013	36020	36060	38091	38132	38174	38180	38227
		S/T	0.47	0.55	0.62	0.62	0.71	0.53	0.62	0.70	0.70	0.80	0.56	0.65	0.74	0.74	0.85
		PI	2.50	2.51	2.51	2.51	2.51	2.81	2.81	2.82	2.82	2.82	2.98	2.98	2.99	2.99	2.99
	59°F	TC	31256	31298	31332	31333	31375	35119	35165	35204	35211	35250	37235	37276	37316	37322	37369
		S/T	0.47	0.55	0.63	0.63	0.71	0.53	0.62	0.70	0.70	0.80	0.56	0.66	0.75	0.75	0.85
		PI	2.50	2.50	2.50	2.50	2.51	2.81	2.81	2.81	2.81	2.82	2.98	2.98	2.98	2.98	2.99
	68°F	TC	30538	30579	30612	30613	30654	34313	34357	34395	34402	34440	36380	36419	36459	36465	36510
		S/T	0.48	0.57	0.64	0.64	0.73	0.54	0.64	0.72	0.72	0.82	0.57	0.67	0.77	0.77	0.87
		PI	2.49	2.50	2.50	2.50	2.50	2.80	2.81	2.81	2.81	2.81	2.97	2.97	2.98	2.98	2.98
	77°F	TC	29820	29860	29892	29893	29934	33506	33549	33587	33593	33630	35525	35563	35602	35607	35652
		S/T	0.49	0.57	0.65	0.65	0.74	0.55	0.64	0.73	0.73	0.83	0.58	0.68	0.78	0.78	0.88
		PI	2.49	2.49	2.50	2.50	2.50	2.80	2.80	2.80	2.80	2.81	2.97	2.97	2.97	2.97	2.98
	80°F	TC	29576	29615	29647	29649	29689	33231	33275	33312	33318	33355	35234	35272	35310	35316	35360
		S/T	0.49	0.58	0.66	0.66	0.75	0.56	0.65	0.74	0.74	0.84	0.59	0.69	0.79	0.79	0.90
		PI	2.49	2.49	2.49	2.49	2.50	2.80	2.80	2.80	2.80	2.81	2.96	2.97	2.97	2.97	2.97
	86°F	TC	29741	29781	29813	29814	29854	33417	33460	33498	33504	33541	35430	35469	35507	35513	35557
		S/T	0.50	0.59	0.67	0.67	0.76	0.56	0.66	0.75	0.75	0.86	0.60	0.70	0.80	0.80	0.91
		PI	2.83	2.84	2.84	2.84	2.84	3.18	3.19	3.19	3.19	3.19	3.37	3.38	3.38	3.38	3.39
	95°F	TC	29991	30031	30063	30065	30105	33698	33741	33779	33785	33823	35728	35767	35806	35811	35856
		S/T	0.50	0.59	0.67	0.67	0.76	0.56	0.66	0.75	0.75	0.86	0.60	0.70	0.80	0.80	0.91
		PI	3.36	3.36	3.36	3.36	3.37	3.77	3.77	3.78	3.78	3.78	4.00	4.00	4.01	4.01	4.01
	104°F	TC	27706	27743	27773	27775	27812	31131	31171	31206	31212	31247	33007	33042	33078	33084	33125
		S/T	0.51	0.60	0.68	0.68	0.78	0.58	0.68	0.77	0.77	0.88	0.61	0.72	0.82	0.82	0.93
		PI	3.19	3.20	3.20	3.20	3.20	3.59	3.59	3.59	3.59	3.60	3.80	3.81	3.81	3.81	3.81
	110°F	TC	26336	26371	26399	26401	26436	29591	29629	29662	29668	29701	31374	31408	31442	31447	31486
		S/T	0.53	0.62	0.71	0.71	0.81	0.60	0.70	0.80	0.80	0.91	0.63	0.74	0.85	0.85	0.96
		PI	3.09	3.10	3.10	3.10	3.10	3.47	3.48	3.48	3.48	3.49	3.68	3.69	3.69	3.69	3.70
115°F	TC	20070	20097	20118	20119	20146	22551	22580	22605	22609	22634	23909	23935	23961	23965	23995	
	S/T	0.54	0.63	0.72	0.72	0.82	0.61	0.71	0.81	0.81	0.92	0.64	0.75	0.86	0.86	0.98	
	PI	2.47	2.47	2.48	2.48	2.48	2.78	2.78	2.78	2.78	2.79	2.94	2.95	2.95	2.95	2.95	
122°F	TC	11715	11731	11744	11744	11760	13164	13181	13195	13198	13213	13957	13972	13987	13989	14007	
	S/T	0.55	0.65	0.73	0.73	0.84	0.62	0.73	0.83	0.83	0.94	0.66	0.77	0.88	0.88	1.00	
	PI	1.64	1.64	1.64	1.65	1.65	1.84	1.85	1.85	1.85	1.85	1.95	1.96	1.96	1.96	1.96	

TC:Total Cooling Capacity (BTU/hr)

S/T:Sensible Cooling Capacity Ratio

PI:Power Input(kW)

36HSHP-HE-SYS Expanded Cooling @ 1,188 CFM

CFM	ODDB	ID WB(°F)	60.8°F					67.0°F					71.6°F				
			ID DB(°F)	73.4°F	77.0°F	80.0°F	80.6°F	84.2°F	73.4°F	77.0°F	80.0°F	80.6°F	84.2°F	73.4°F	77.0°F	80.0°F	80.6°F
1188	50°F	TC	34079	34125	34162	34163	34209	38292	38342	38384	38391	38434	40599	40643	40687	40694	40744
		S/T	0.50	0.58	0.66	0.66	0.76	0.56	0.66	0.75	0.75	0.85	0.59	0.70	0.79	0.79	0.90
		PI	2.67	2.67	2.67	2.67	2.68	3.00	3.00	3.00	3.00	3.01	3.18	3.18	3.18	3.18	3.19
	59°F	TC	33314	33359	33395	33396	33441	37432	37481	37522	37529	37571	39687	39730	39774	39780	39829
		S/T	0.50	0.59	0.67	0.67	0.76	0.56	0.66	0.75	0.75	0.86	0.60	0.70	0.80	0.80	0.91
		PI	2.66	2.67	2.67	2.67	2.67	2.99	3.00	3.00	3.00	3.00	3.17	3.17	3.18	3.18	3.18
	68°F	TC	32549	32592	32628	32629	32673	36572	36620	36660	36667	36708	38776	38818	38860	38866	38914
		S/T	0.51	0.60	0.69	0.69	0.78	0.58	0.68	0.77	0.77	0.88	0.61	0.72	0.82	0.82	0.93
		PI	2.66	2.66	2.66	2.66	2.67	2.99	2.99	2.99	2.99	3.00	3.17	3.17	3.17	3.17	3.18
	77°F	TC	31783	31826	31860	31862	31905	35712	35758	35798	35805	35845	37864	37905	37946	37952	37999
		S/T	0.52	0.61	0.69	0.69	0.79	0.59	0.69	0.78	0.78	0.89	0.62	0.73	0.83	0.83	0.94
		PI	2.65	2.66	2.66	2.66	2.66	2.98	2.99	2.99	2.99	2.99	3.16	3.16	3.17	3.17	3.17
	80°F	TC	31523	31566	31600	31601	31644	35420	35466	35505	35512	35552	37554	37595	37636	37641	37688
		S/T	0.53	0.62	0.70	0.70	0.80	0.59	0.70	0.79	0.79	0.90	0.63	0.74	0.84	0.84	0.95
		PI	2.65	2.66	2.66	2.66	2.66	2.98	2.98	2.99	2.99	2.99	3.16	3.16	3.17	3.17	3.17
	86°F	TC	31699	31742	31776	31777	31820	35617	35664	35703	35710	35750	37763	37804	37846	37851	37899
		S/T	0.53	0.63	0.71	0.71	0.81	0.60	0.70	0.80	0.80	0.91	0.64	0.75	0.85	0.85	0.97
		PI	3.02	3.02	3.03	3.03	3.03	3.39	3.40	3.40	3.40	3.41	3.60	3.60	3.60	3.61	3.61
	95°F	TC	31965	32008	32043	32044	32088	35917	35963	36003	36010	36050	38081	38122	38164	38170	38217
		S/T	0.53	0.63	0.71	0.71	0.81	0.60	0.70	0.80	0.80	0.91	0.64	0.75	0.85	0.85	0.97
		PI	3.58	3.58	3.58	3.59	3.59	4.02	4.02	4.03	4.03	4.03	4.26	4.27	4.27	4.27	4.28
	104°F	TC	29531	29570	29602	29604	29643	33181	33224	33261	33267	33304	35180	35218	35257	35262	35306
		S/T	0.55	0.64	0.73	0.73	0.83	0.62	0.72	0.82	0.82	0.93	0.65	0.76	0.87	0.87	0.99
		PI	3.40	3.41	3.41	3.41	3.41	3.82	3.83	3.83	3.83	3.84	4.05	4.06	4.06	4.06	4.07
	110°F	TC	28070	28107	28138	28139	28177	31539	31580	31616	31621	31657	33440	33476	33513	33518	33559
		S/T	0.57	0.67	0.76	0.76	0.86	0.64	0.75	0.85	0.85	0.97	0.68	0.79	0.90	0.90	1.00
		PI	3.30	3.30	3.30	3.30	3.31	3.70	3.71	3.71	3.71	3.72	3.93	3.93	3.93	3.94	3.94
	115°F	TC	21391	21420	21443	21444	21473	24036	24067	24094	24098	24125	25484	25511	25539	25543	25575
		S/T	0.57	0.67	0.77	0.77	0.87	0.65	0.76	0.86	0.86	0.98	0.68	0.80	0.91	0.91	1.00
		PI	2.63	2.64	2.64	2.64	2.64	2.96	2.96	2.97	2.97	2.97	3.14	3.14	3.14	3.14	3.15
122°F	TC	12487	12504	12517	12518	12535	14030	14049	14064	14067	14083	14876	14892	14908	14910	14929	
	S/T	0.59	0.69	0.78	0.78	0.89	0.66	0.77	0.88	0.88	1.00	0.70	0.82	0.93	0.93	1.00	
	PI	1.75	1.75	1.75	1.75	1.76	1.97	1.97	1.97	1.97	1.97	2.08	2.09	2.09	2.09	2.09	

TC:Total Cooling Capacity (BTU/hr)

S/T:Sensible Cooling Capacity Ratio

PI:Power Input(kW)

36HSHP-HE-SYS Expanded Heating @ 865 CFM

CFM	HEATING PERFORMANCE AT INDOOR DRY BULB TEMPERATURE										
	OD DB (°F)	TC: Total Heating Capacity(BTU/hr)					PI: Power Input(kW)				
		Indoor Conditions (DB °F)					Indoor Conditions (DB °F)				
		60.8°F	68°F	70°F	71.6°F	75.2°F	60.8°F	68°F	70°F	71.6°F	75.2°F
865	-13°F	15417	15109	15033	14512	14381	3.06	3.09	3.09	3.10	3.11
	-4°F	15726	15412	15335	14803	14669	3.10	3.13	3.13	3.14	3.15
	0°F	18244	17879	17789	17172	17018	3.48	3.51	3.52	3.53	3.54
	5°F	21390	20963	20858	20134	19953	3.96	4.00	4.00	4.01	4.03
	14°F	19836	19440	19343	18671	18503	3.50	3.53	3.54	3.55	3.56
	17°F	19318	18932	18837	18184	18020	3.35	3.38	3.39	3.39	3.41
	22°F	19778	19383	19286	18617	18449	3.30	3.32	3.33	3.34	3.35
	27°F	20238	19834	19734	19049	18878	3.24	3.27	3.27	3.28	3.29
	32°F	20698	20284	20183	19482	19307	3.18	3.21	3.22	3.22	3.23
	35°F	20974	20555	20452	19742	19565	3.15	3.18	3.18	3.19	3.20
	37°F	22797	22341	22230	21458	21265	3.17	3.20	3.20	3.21	3.22
	42°F	27354	26807	26673	25748	25516	3.23	3.25	3.26	3.27	3.28
	44.6°F	29177	28594	28451	27463	27216	3.25	3.28	3.28	3.29	3.30
	47°F	31912	31273	31117	30037	29767	3.28	3.31	3.32	3.32	3.34
	52°F	29565	28974	28829	27828	27578	3.19	3.21	3.22	3.23	3.24
	57°F	27219	26674	26541	25620	25389	3.09	3.12	3.12	3.13	3.14
	59°F	26280	25755	25626	24736	24514	3.05	3.08	3.08	3.09	3.10
62°F	24872	24375	24253	23411	23201	2.99	3.02	3.02	3.03	3.04	
64.4°F	23934	23455	23338	22528	22325	2.96	2.98	2.99	2.99	3.00	

36HSHP-HE-SYS Expanded Heating @ 971 CFM

CFM	HEATING PERFORMANCE AT INDOOR DRY BULB TEMPERATURE										
	OD DB (°F)	TC: Total Heating Capacity(BTU/hr)					PI: Power Input(kW)				
		Indoor Conditions (DB °F)					Indoor Conditions (DB °F)				
		60.8°F	68°F	70°F	71.6°F	75.2°F	60.8°F	68°F	70°F	71.6°F	75.2°F
971	-13°F	16432	16104	16023	15711	15570	3.09	3.12	3.12	3.13	3.14
	-4°F	16762	16427	16345	16026	15882	3.13	3.16	3.16	3.17	3.18
	0°F	19445	19056	18961	18592	18424	3.52	3.55	3.55	3.56	3.58
	5°F	22799	22343	22231	21798	21602	4.00	4.04	4.04	4.05	4.07
	14°F	21143	20720	20616	20215	20033	3.54	3.57	3.58	3.58	3.60
	17°F	20591	20179	20078	19687	19510	3.39	3.41	3.42	3.43	3.44
	22°F	21081	20659	20556	20156	19974	3.33	3.36	3.36	3.37	3.38
	27°F	21571	21140	21034	20624	20439	3.27	3.30	3.31	3.31	3.33
	32°F	22061	21620	21512	21093	20903	3.22	3.24	3.25	3.25	3.27
	35°F	22355	21908	21799	21374	21182	3.18	3.21	3.21	3.22	3.23
	37°F	24298	23812	23693	23232	23023	3.20	3.23	3.24	3.24	3.26
	42°F	29156	28573	28430	27876	27625	3.26	3.29	3.29	3.30	3.31
	44.6°F	31099	30477	30324	29734	29466	3.28	3.31	3.32	3.32	3.34
	47°F	34013	33333	33166	32520	32228	3.32	3.34	3.35	3.36	3.37
	52°F	31512	30882	30727	30129	29858	3.22	3.25	3.25	3.26	3.27
	57°F	29011	28431	28289	27738	27488	3.12	3.15	3.15	3.16	3.17
	59°F	28011	27451	27313	26781	26540	3.08	3.11	3.11	3.12	3.13
62°F	26510	25980	25850	25347	25119	3.02	3.05	3.06	3.06	3.07	
64.4°F	25510	25000	24875	24390	24171	2.99	3.01	3.02	3.02	3.03	

36HSHP-HE-SYS Expanded Heating @ 1,082 CFM

CFM	HEATING PERFORMANCE AT INDOOR DRY BULB TEMPERATURE										
	OD DB (°F)	TC: Total Heating Capacity(BTU/hr)					PI: Power Input(kW)				
		Indoor Conditions (DB °F)					Indoor Conditions (DB °F)				
		60.8°F	68°F	70°F	71.6°F	75.2°F	60.8°F	68°F	70°F	71.6°F	75.2°F
1082	-13°F	17515	17164	17078	17010	16857	3.12	3.15	3.16	3.16	3.17
	-4°F	17866	17508	17421	17351	17195	3.16	3.19	3.20	3.20	3.21
	0°F	20726	20311	20210	20129	19948	3.55	3.58	3.59	3.60	3.61
	5°F	24300	23814	23695	23600	23388	4.04	4.08	4.08	4.09	4.11
	14°F	22535	22084	21974	21886	21689	3.58	3.60	3.61	3.62	3.63
	17°F	21946	21508	21400	21314	21123	3.42	3.45	3.45	3.46	3.47
	22°F	22469	22020	21910	21822	21626	3.36	3.39	3.40	3.40	3.42
	27°F	22992	22532	22419	22329	22128	3.31	3.33	3.34	3.35	3.36
	32°F	23514	23044	22929	22837	22631	3.25	3.27	3.28	3.29	3.30
	35°F	23828	23351	23234	23141	22933	3.21	3.24	3.25	3.25	3.27
	37°F	25898	25381	25254	25153	24926	3.24	3.26	3.27	3.28	3.29
	42°F	31076	30454	30302	30181	29909	3.29	3.32	3.33	3.33	3.35
	44.6°F	33147	32484	32321	32192	31902	3.32	3.34	3.35	3.36	3.37
	47°F	36253	35528	35350	35209	34892	3.35	3.38	3.38	3.39	3.41
	52°F	33587	32916	32751	32620	32326	3.25	3.28	3.29	3.29	3.31
	57°F	30922	30303	30152	30031	29761	3.15	3.18	3.19	3.19	3.20
	59°F	29855	29258	29112	28995	28735	3.11	3.14	3.15	3.15	3.16
62°F	28256	27691	27552	27442	27195	3.06	3.08	3.09	3.09	3.10	
64.4°F	27190	26646	26513	26407	26169	3.02	3.04	3.05	3.05	3.06	

36HSHP-HE-SYS Expanded Heating @ 1,188 CFM

CFM	HEATING PERFORMANCE AT INDOOR DRY BULB TEMPERATURE										
	OD DB (°F)	TC: Total Heating Capacity(BTU/hr)					PI: Power Input(kW)				
		Indoor Conditions (DB °F)					Indoor Conditions (DB °F)				
		60.8°F	68°F	70°F	71.6°F	75.2°F	60.8°F	68°F	70°F	71.6°F	75.2°F
1188	-13°F	18668	18294	18203	18130	17967	3.16	3.18	3.19	3.19	3.21
	-4°F	19042	18661	18568	18494	18327	3.20	3.22	3.23	3.23	3.25
	0°F	22090	21649	21540	21454	21261	3.59	3.62	3.63	3.63	3.65
	5°F	25901	25383	25256	25155	24928	4.08	4.12	4.13	4.13	4.15
	14°F	24019	23539	23421	23327	23117	3.61	3.64	3.65	3.66	3.67
	17°F	23392	22924	22809	22718	22514	3.45	3.48	3.49	3.50	3.51
	22°F	23949	23470	23352	23259	23050	3.40	3.42	3.43	3.44	3.45
	27°F	24506	24015	23895	23800	23586	3.34	3.37	3.37	3.38	3.39
	32°F	25063	24561	24438	24341	24122	3.28	3.31	3.31	3.32	3.33
	35°F	25397	24889	24764	24665	24443	3.25	3.27	3.28	3.29	3.30
	37°F	27604	27052	26917	26809	26568	3.27	3.30	3.30	3.31	3.32
	42°F	33122	32460	32297	32168	31879	3.33	3.35	3.36	3.37	3.38
	44.6°F	35329	34623	34450	34312	34003	3.35	3.38	3.38	3.39	3.40
	47°F	38640	37867	37678	37527	37190	3.38	3.41	3.42	3.43	3.44
	52°F	35799	35083	34908	34768	34455	3.29	3.31	3.32	3.33	3.34
	57°F	32958	32299	32137	32009	31721	3.19	3.21	3.22	3.22	3.24
	59°F	31821	31185	31029	30905	30627	3.15	3.17	3.18	3.18	3.20
62°F	30117	29514	29367	29249	28986	3.09	3.11	3.12	3.12	3.14	
64.4°F	28980	28401	28259	28145	27892	3.05	3.07	3.08	3.08	3.10	

Control Options

Thermostats

Part Number	Description
MMT4522-001	24V 2H/1C Programmable Thermostat with Occupancy Sensor Input and Standard Display.
MMT8532-002	24V 2H/1C Programmable Thermostat with Occupancy Sensor Input and Deluxe Display.
MMT8532OCC-1	24V 2H/1C Programmable Thermostat with Built-In Occupancy Sensor and Deluxe Display.
MMW-1	24V 2H/1C Non-Programmable Wireless Thermostat.

The HSHP-SYS includes a factory installed 24V control board, in the outdoor heat pump, and can be used with most standard 24V thermostats.



MMT4522-001



MMT8532-002



MMW-1



Wired Wall Controllers and IR Controller

Part Number	Description
SWC120LR	Standard wired wall controller with operation mode control, timer and fan speed functions.
DWC120X2	Deluxe wired wall controller with programmable weekly timer, auto-restart, child lock, and follow me functions. The DWC120X2 also functions as a receiver for the MWRC remote controller.
WIFI-DWC120X2	Deluxe wired wall controller with WFI and app, with programmable weekly timer, auto-restart, child lock, Turbo function, follow me function and more. The WIFI-DWC120X2 also functions as a receiver for the MWRC remote controller.
MWRC2	Wireless infrared remote controller with timer, sleep function, follow me and turbo function. Internal functions, such as setting airflow, can be made with this remote controller, as well.



SWC120LR
Standard Wired
Wall Controller



WIFI-DWC120X2
WIFI Deluxe Wired
Wall Controller



MWRC2
Wireless Remote

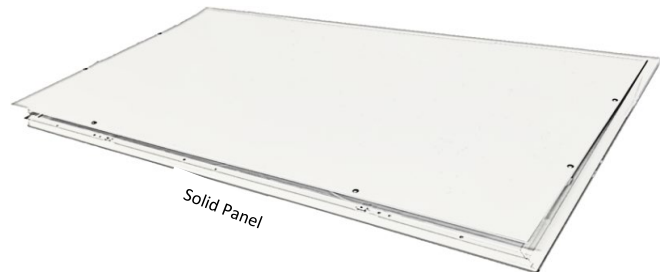
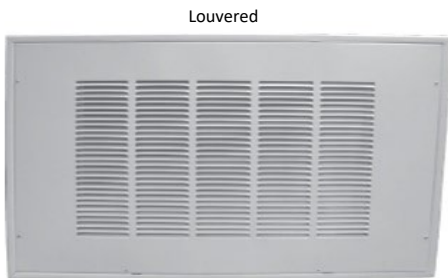
Access Panels

Ceiling Access Panels / Filter Grilles								
Model Number	Panel Part Number	Style	Filter Rack	Filter Quantity	Inside Frame Dimensions		Outside Frame Dimensions	
18HSHP	965-LA	Louvered	20 X 30 X 1	1	24.5	40	27.5	43
	965-LB	Louvered	20 X 30 X 2	1	24.5	40	27.5	43
	965-S	Solid	N/A	N/A	24.5	40	27.5	43
24HSHP	966-LA	Louvered	20 X 20 X 1	2	24.5	46	27.5	49
	966-LB	Louvered	20 X 20 X 2	2	24.5	46	27.5	49
	966-S	Solid	N/A	N/A	24.5	46	27.5	49
30HSHP	967-LA	Louvered	20 X 20 X 1	2	24.5	52.5	27.5	55.5
	967-LB	Louvered	20 X 20 X 2	2	24.5	52.5	27.5	55.5
	967-S	Solid	N/A	N/A	24.5	52.5	27.5	55.5
36HSHP	967-6-LA	Louvered	20 X 25 X 1	2	24.5	60	27.5	63
	967-6-LB	Louvered	20 X 25 X 2	2	24.5	60	27.5	63
	967-6-S	Solid	N/A	N/A	24.5	60	27.5	63

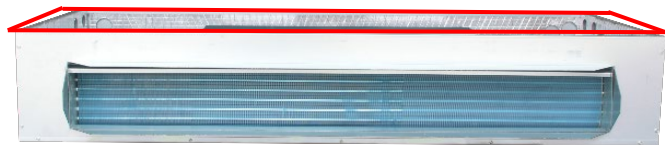
Access Panels are not included with the HSHP series units.

Filters are not included with the louvered access panels.

Please refer to the Multi Manufacturing Louvered Access Panel Performance brochure for Merv 8, Merv 11 and Merv 13 pressure drop information.



Bottom Cap	
Model Number	Bottom Cap Part Number
18HSHP	CAP-18
24HSHP	CAP-24
30HSHP	CAP-30
36HSHP	CAP-36



With Galvanized Steel Construction, with Foil-Face insulation lining, the Bottom Caps are designed for use in a suspended ceiling, ducted application. A Bottom Cap would be used in place of a ceiling access panel in such applications.

Bottom Caps have a 1/2" lip around the perimeter, and can be fastened to the cabinet with 1/4" zip screws.



2480 Grand Avenue

Vista, CA 92081

Phone (760) 670-3005

Fax (760) 670-3307

www.multimfg-usa.com