



HWMS-HH

High Wall Mini Split Heat Pump System



Hyper Heat Mini Split System, with Inverter Technology

1/2 Ton - 2 Ton, with Efficiencies up to 28.10 SEER2 and 16.2 EER2



The HWMS is a highly efficient split system, with a high wall mini split fan coil and an outdoor side discharge heat pump unit. The indoor fan coil can be installed in various locations. This system supplies comfortable cooling and heating performance at low sound levels.

Typical installations for the HWMS-HH include:

- Apartments
- Condominiums
- Independent Care Facilities
- Pre Manufactured Homes
- Single Family Home Additions
- Modular Buildings
- Student Housing
- Offices
- Stores



Features

Highly Efficient / High Performance

- Highly Efficient Inverter Compressor, with Efficiencies up to 28.10 SEER2
- Low Amp Draw DC motor in Outdoor HP

Quiet Operation, Inside and Outside

- Low Sone DC motor in HWMS Fan Coil
- Quiet Inverter Compressor in Outdoor Heat Pump, with low Sound Levels

Heating at Low Ambient Conditions

- Standard Base Pan Heaters
- Hyper Heat (100% Heating Capacity down to 5° F)
- Low Ambient Kit

Controls

- Standard Wireless Remote or Optional Wired Wall Controller
- Optional WiFi Module available

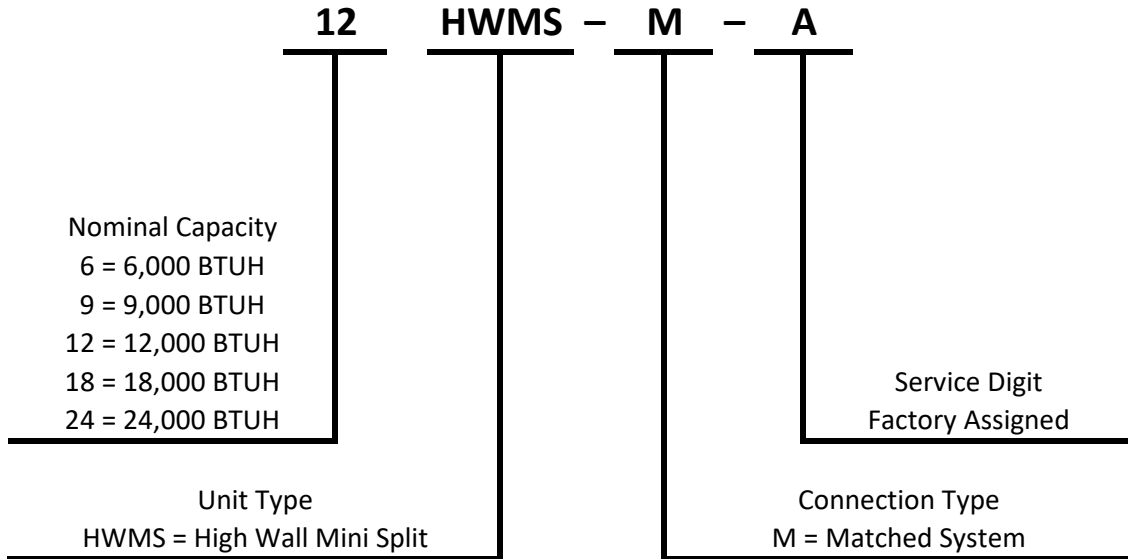
Design

- Gold Fin Coil Protection on Indoor Fan Coil and Outdoor Heat Pump
- Automatic Restart Function
- Follow Me Function with Wireless Remote Control
- Turbo Mode
- Low Refrigerant Pressure Notification

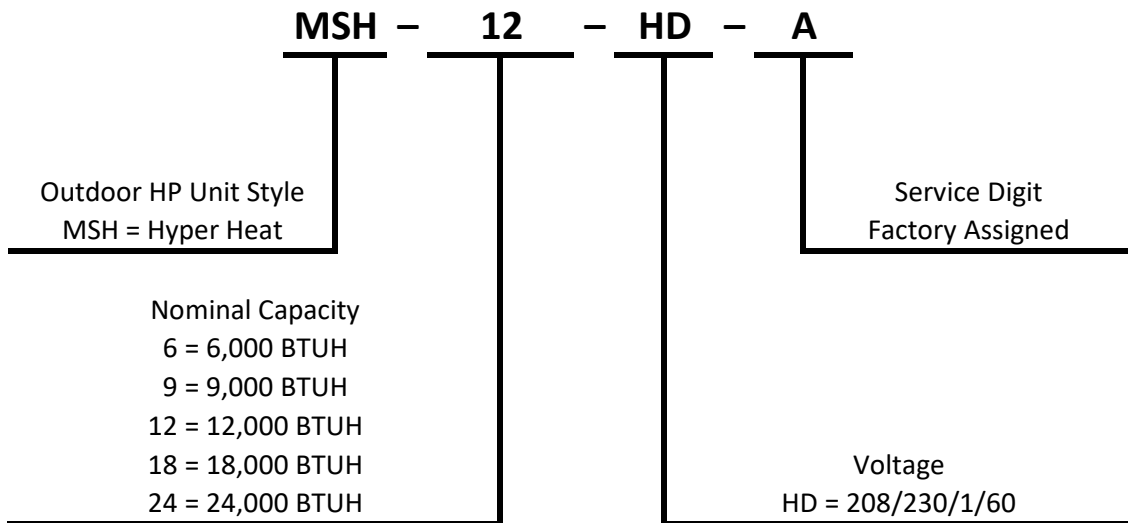


Nomenclature

Indoor Unit



Outdoor Unit



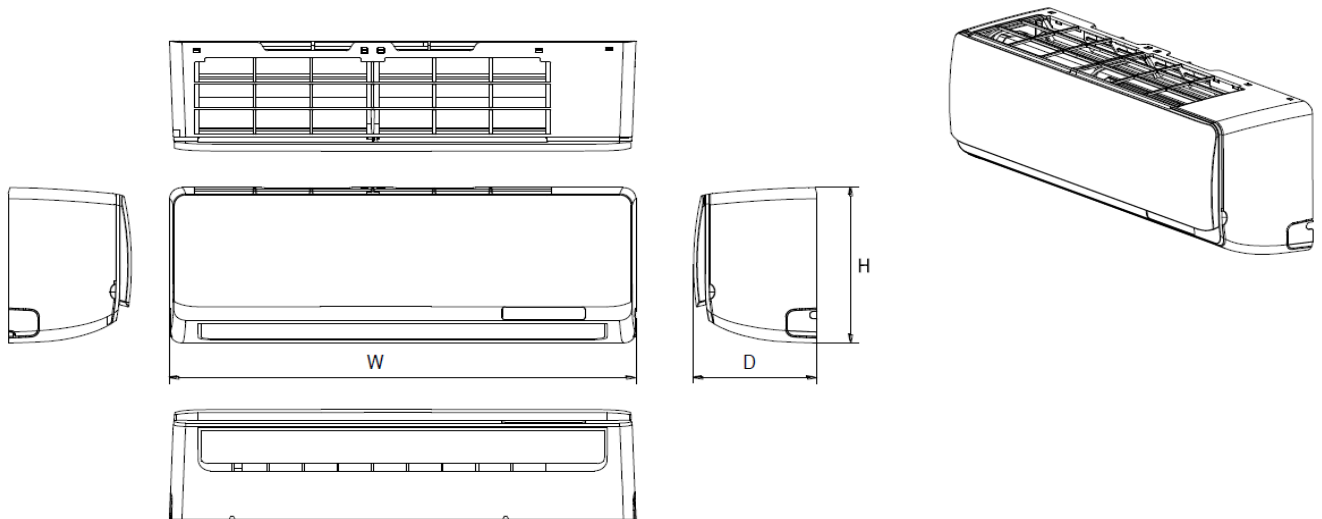
System

| System Model Number | Indoor Unit | Outdoor Unit |
|---------------------|-------------|--------------|
| 6HWMS-HH-SYS | 6HWMS-M-A | MSH-06HD-A |
| 9HWMS-HH-SYS | 9HWMS-M-A | MSH-09HD-A |
| 12HWMS-HH-SYS | 12HWMS-M-A | MSH-12HD-A |
| 18HWMS-HH-SYS | 18HWMS-M-A | MSH-18HD-A |
| 24HWMS-HH-SYS | 24HWMS-M-A | MSH-24HD-A |

HWMS

1/2 ton - 2 ton High Wall Fan Coil

Dimensional Data



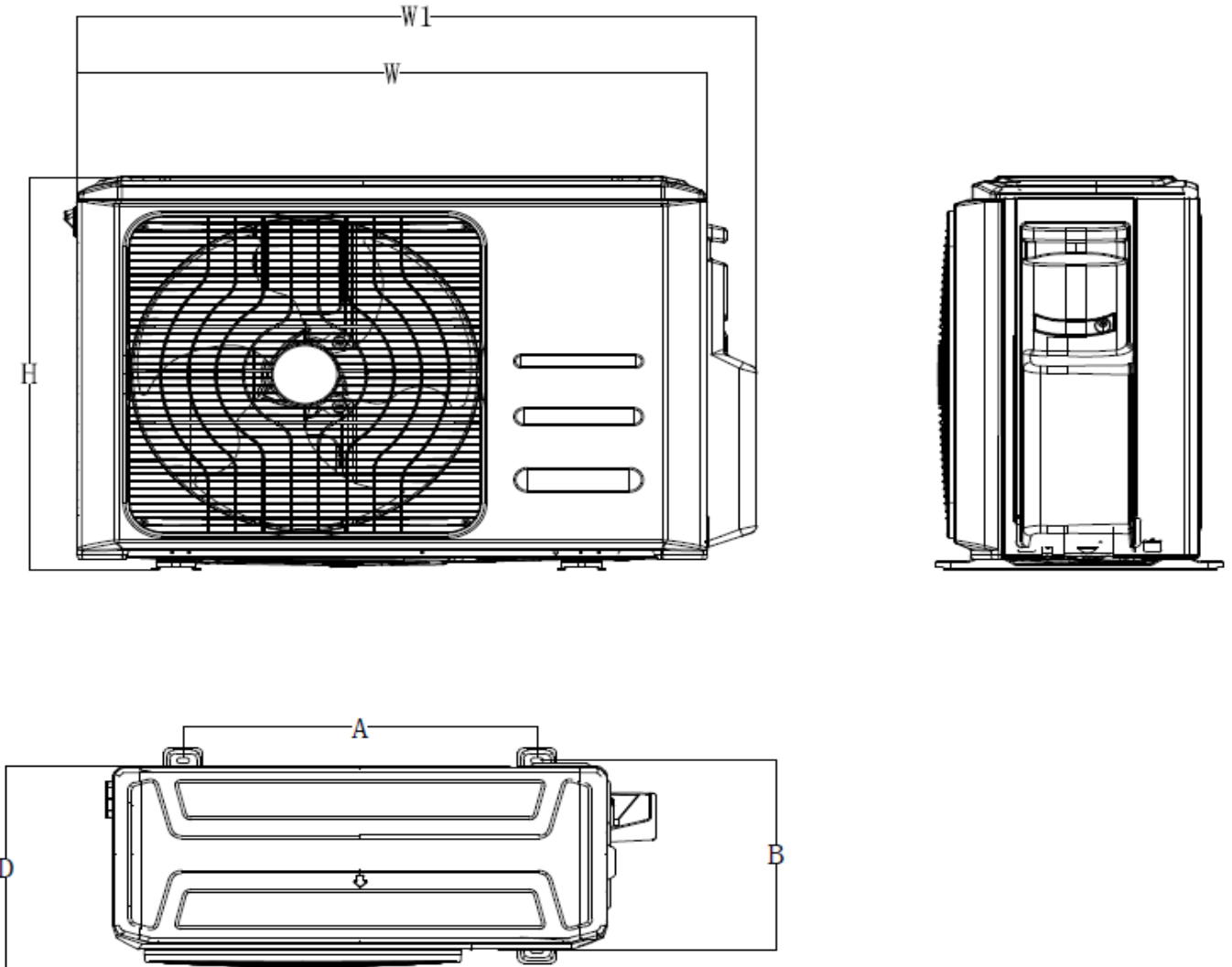
| Unit | H | W | D | Weight |
|--------------------------------|-------|-------|-------|--------|
| 6HWMS-M-A | 11.76 | 33.40 | 9.18 | 22.7 |
| 9HWMS-M-A | 11.76 | 33.40 | 9.18 | 22.7 |
| 12HWMS-M-A | 11.76 | 33.40 | 9.18 | 22.9 |
| 18HWMS-M-A | 12.60 | 40.06 | 9.72 | 27.1 |
| 24HWMS-M-A | 14.59 | 46.85 | 11.20 | 43.7 |
| Dimensions shown are in Inches | | | | |
| Weights shown are in lbs | | | | |



MSH

1/2 ton - 2 ton Hyper Heat HP Outdoor Units

Dimensional Data



| Unit | Unit Width (W) | Unit Depth (D) | Unit Height (H) | W1 | Bracket Width (A) | Bracket Depth (B) | Weight |
|--------------------------------|----------------|----------------|-----------------|-------|-------------------|-------------------|--------|
| MSH-06HD-A | 30.12 | 11.26 | 21.85 | 32.87 | 17.8 | 12.36 | 64 |
| MSH-09HD-A | 31.69 | 13.0 | 21.8 | 34.4 | 20.1 | 13.6 | 74 |
| MSH-12HD-A | 31.69 | 13.0 | 21.8 | 34.4 | 20.1 | 13.6 | 74 |
| MSH-18HD-A | 35.04 | 13.46 | 26.5 | 37.6 | 26.1 | 14.96 | 101 |
| MSH-24HD-A | 37.24 | 16.14 | 31.89 | 40.55 | 26.5 | 17.9 | 135 |
| Dimensions shown are in Inches | | | | | | | |
| Weights shown are in lbs | | | | | | | |

HWMS-HH

1/2 ton - 2 ton Hyper Heat HP

System Specifications

| System Model | | | 6HWMS0-HH-SYS | 9HWMS0-HH-SYS | 12HWMS0-HH-SYS | 18HWMS0-HH-SYS | 24HWMS0-HH-SYS |
|------------------------------------|------------------|---------|--|-----------------|-----------------|-----------------|-----------------|
| Indoor Model | | | 6HWMS-M-A | 9HWMS-M-A | 12HWMS-M-A | 18HWMS-M-A | 24HWMS-M-A |
| Outdoor Model | | | MSH-06HD-A | MSH-09HD-A | MSH-12HD-A | MSH-18HD-A | MSH-24HD-A |
| Power supply | | V/Hz/Ph | 208/230/60/1 | 208/230/60/1 | 208/230/60/1 | 208/230/60/1 | 208/230/60/1 |
| Cooling | Capacity | Btu/h | 6000 | 9000 | 12000 | 18000 | 24000 |
| | Input | W | 380 | 556 | 857 | 1440 | 1845 |
| | Rated current | A | 3.3 | 2.5 | 3.7 | 6.3 | 8.1 |
| | EER2 | Btu/W | 15.8 | 16.2 | 14.0 | 12.5 | 13.0 |
| | SEER2 | | 26.50 | 28.10 | 25.50 | 21.50 | 21.50 |
| Heating | Capacity | Btu/h | 7000 | 12000 | 12000 | 18000 | 29000 |
| | Input | W | 449 | 907 | 907 | 1700 | 2500 |
| | Rated current | A | 3.92 | 4.10 | 4.10 | 7.30 | 10.90 |
| | COP | W/W | 3.9 | 3.8 | 3.9 | 3.1 | 3.4 |
| | HSPF2 | | 13.6 | 11.6 | 10.4 | 11.3 | 11.4 |
| Minimum Circuit Ampacity (indoor) | | A | 3.0 | 3.0 | 3.0 | 3.0 | 3.0 |
| Max Fuse (indoor) | | A | 15.0 | 15.0 | 15.0 | 15.0 | 15.0 |
| Minimum Circuit Ampacity (outdoor) | | A | 13.0 | 15.0 | 15.0 | 20.0 | 25.0 |
| Max Fuse (outdoor) | | A | 15.0 | 15.0 | 15.0 | 25.0 | 35.0 |
| Indoor air flow (Turbo/Hi/Med/Lo) | | CFM | 365/318/218/168 | 382/335/229/176 | 382/335/229/176 | 635/524/376/306 | 719/611/414/319 |
| Indoor noise level (Hi/Med/Lo) | | dB(A) | 36.0/32.0/23.0 | 38.0/33.0/23.5 | 38.0/33.5/23.5 | 46.0/42.0/24.0 | 46.0/39.0/34.0 |
| Outdoor air flow | | CFM | 1294 | 1324 | 1324 | 1765 | 2235 |
| Outdoor noise level | | dB(A) | 53.5 | 54.5 | 56 | 59 | 62 |
| Refrigerant / Precharge Amt | | oz | R410A / 38.1 | R410A / 41.62 | R410A / 41.62 | R410A / 65.2 | R410A / 91.7 |
| Refrigerant precharge | | ft | 25 | 25 | 25 | 25 | 25 |
| Additional charge for each ft | | oz | 0.16 | 0.16 | 0.16 | 0.16 | 0.32 |
| Design pressure | | PSIG | 550 / 340 | 550 / 340 | 550 / 340 | 550 / 340 | 550 / 340 |
| Drain Line Diameter | | inch | ODΦ1 | ODΦ1 | ODΦ1 | ODΦ1 | ODΦ1 |
| Refrigerant Piping | Liquid / Suction | inch | 1/4 / 3/8 | 1/4 / 3/8 | 1/4 / 1/2 | 1/4 / 1/2 | 3/8 / 5/8 |
| | Max. Pipe Length | ft | 82 | 82 | 82 | 98 | 164 |
| | Max. Pipe Lift | ft | 33 | 33 | 33 | 66 | 82 |
| Connection wiring | | | 14AWG*4 Stranded, Shielded | | | | |
| Thermostat Type | | | Wireless Remote Control or Wired Wall Controller | | | | |
| Room Temperature | Indoor Cooling | °F | 60 ~ 90 | 60 ~ 90 | 60 ~ 90 | 60 ~ 90 | 60 ~ 90 |
| | Indoor Heating | °F | 32 ~ 86 | 32 ~ 86 | 32 ~ 86 | 32 ~ 86 | 32 ~ 86 |
| | Outdoor Cooling | °F | -22 ~ 122 | -22 ~ 122 | -22 ~ 122 | -22 ~ 122 | -22 ~ 122 |
| | Outdoor Heating | °F | -22 ~ 75 | -22 ~ 75 | -22 ~ 75 | -22 ~ 75 | -22 ~ 75 |

Cooling Expanded Ratings

| Model | Cooling | | | Outdoor DB | | | | | | | |
|---------------|---------|-----|-------|----------------|----------------|--------------|----------------|--------------|-----------------|---------------|---------------|
| | Indoor | | | 55F (12.8C) | 65F (18.3C) | 75F (24C) | 85F (29.4C) | 95F (35C) | 105F (40.5C) | 115F (46C) | 122F (50C) |
| | DB | WB | | | | | | | | | |
| 6HWMS-HH-SYS | 65F | 54F | TC | 10.69 | 10.91 | 10.90 | 10.90 | 11.03 | 10.32 | 8.93 | 7.58 |
| | | | SC | | | | | | | | |
| | 70F | 59F | TC | 11.35 | 11.36 | 11.57 | 11.47 | 11.64 | 10.94 | 9.46 | 8.05 |
| | | | SC | | | | | | | | |
| | 75F | 63F | TC | 11.96 | 11.96 | 12.22 | 12.16 | 12.28 | 11.52 | 9.95 | 8.47 |
| | | | SC | | | | | | | | |
| 80F | 67F | TC | 12.68 | 12.72 | 12.77 | 12.87 | 12.93 | 12.18 | 10.41 | 9.00 | |
| | | SC | | | | | | | | | |
| 9HWMS-HH-SYS | 65F | 54F | TC | 11.31 | 11.59 | 11.87 | 12.15 | 10.82 | 9.50 | 8.27 | 7.13 |
| | | | SC | 9.19 | 9.64 | 10.09 | 10.32 | 9.07 | 7.83 | 7.03 | 6.06 |
| | 70F | 59F | TC | 11.92 | 12.14 | 12.36 | 12.58 | 11.57 | 10.26 | 8.95 | 7.76 |
| | | | SC | 9.67 | 10.09 | 10.51 | 10.69 | 9.83 | 8.72 | 7.61 | 6.60 |
| | 75F | 63F | TC | 12.54 | 12.70 | 12.85 | 13.02 | 11.78 | 10.54 | 9.64 | 8.39 |
| | | | SC | 10.16 | 10.54 | 10.92 | 11.06 | 10.01 | 8.95 | 8.19 | 7.13 |
| 80F | 67F | TC | 13.16 | 13.25 | 13.34 | 13.45 | 12.58 | 11.70 | 10.32 | 9.02 | |
| | | SC | 10.64 | 10.99 | 11.34 | 11.43 | 10.69 | 9.95 | 8.77 | 7.67 | |
| 12HWMS-HH-SYS | 65F | 54F | TC | 11.53 | 11.82 | 12.11 | 12.39 | 11.04 | 9.68 | 8.43 | 7.27 |
| | | | SC | 9.38 | 9.83 | 10.29 | 10.53 | 9.26 | 7.98 | 7.17 | 6.18 |
| | 70F | 59F | TC | 12.16 | 12.38 | 12.61 | 12.83 | 11.80 | 10.47 | 9.13 | 7.92 |
| | | | SC | 9.87 | 10.29 | 10.72 | 10.91 | 10.03 | 8.90 | 7.76 | 6.73 |
| | 75F | 63F | TC | 12.79 | 12.95 | 13.11 | 13.28 | 12.01 | 10.75 | 9.83 | 8.56 |
| | | | SC | 10.36 | 10.75 | 11.14 | 11.28 | 10.21 | 9.13 | 8.35 | 7.27 |
| 80F | 67F | TC | 13.42 | 13.52 | 13.61 | 13.72 | 12.83 | 11.93 | 10.53 | 9.20 | |
| | | SC | 10.85 | 11.21 | 11.57 | 11.66 | 10.90 | 10.14 | 8.95 | 7.82 | |
| 18HWMS-HH-SYS | 65F | 54F | TC | 15.57 | 15.59 | 15.88 | 16.70 | 16.21 | 14.50 | 11.77 | 8.40 |
| | | | SC | 12.74 | 13.16 | 13.59 | 14.32 | 14.17 | 12.67 | 10.28 | 7.33 |
| | 70F | 59F | TC | 16.39 | 16.67 | 16.94 | 17.64 | 17.46 | 15.75 | 13.02 | 9.65 |
| | | | SC | 13.75 | 14.24 | 14.74 | 15.52 | 15.36 | 13.86 | 11.46 | 8.49 |
| | 75F | 63F | TC | 17.48 | 17.74 | 17.99 | 18.58 | 18.71 | 17.00 | 14.27 | 10.90 |
| | | | SC | 14.76 | 15.33 | 15.89 | 16.72 | 16.56 | 15.05 | 12.64 | 9.65 |
| 80F | 67F | TC | 18.57 | 18.81 | 19.05 | 19.52 | 19.96 | 18.25 | 15.52 | 12.15 | |
| | | SC | 15.78 | 16.16 | 17.04 | 17.92 | 17.76 | 16.24 | 13.81 | 10.81 | |
| 24HWMS-HH-SYS | 65F | 54F | TC | 21.60 | 21.21 | 20.82 | 20.62 | 18.75 | 16.88 | 15.89 | 14.97 |
| | | | SC | 16.09 | 15.85 | 15.62 | 15.46 | 14.06 | 12.66 | 11.91 | 11.23 |
| | 70F | 59F | TC | 23.72 | 23.65 | 23.58 | 23.21 | 21.86 | 18.72 | 16.25 | 15.32 |
| | | | SC | 17.72 | 17.70 | 17.69 | 17.41 | 16.40 | 14.04 | 12.19 | 11.49 |
| | 75F | 63F | TC | 25.84 | 26.09 | 26.34 | 25.81 | 22.93 | 20.56 | 16.62 | 15.67 |
| | | | SC | 19.36 | 19.56 | 19.76 | 19.35 | 18.70 | 15.42 | 12.46 | 11.75 |
| 80F | 67F | TC | 27.95 | 28.53 | 29.10 | 28.40 | 24.00 | 22.40 | 16.98 | 16.02 | |
| | | SC | 20.99 | 21.41 | 21.83 | 21.30 | 18.00 | 16.80 | 12.74 | 12.02 | |

LEGEND

DB --- Dry Bulb

WB --- Wet Bulb

TC --- Total Net Capacity (1000 Btu/hour)

SC --- Sensible Capacity (1000 Btu/hour)

Input --- Total Power (kW)

Heating Expanded Ratings

| Model | Heating | | Outdoor conditions (DB) | | | | | | | | | | | | | | |
|---------------|-----------|-------|-------------------------|-------|-------|-------|-------|-------|-------|-------|-------|-------|-------|-------|-------|-------|-------|
| | Indoor DB | | -22F | -13F | -5F | 0F | 5F | 17F | 19.4F | 24.8F | 32F | 35F | 39.2F | 44.6F | 47F | 53.6F | 57F |
| 6HWMS-HH-SYS | 60F | TC | 3.96 | 5.56 | 7.60 | 8.34 | 8.90 | 9.88 | 10.42 | 11.16 | 11.82 | 12.52 | 10.10 | 8.93 | 7.76 | 7.81 | 7.60 |
| | | Input | 0.78 | 0.85 | 0.91 | 0.98 | 1.05 | 1.11 | 1.12 | 1.13 | 1.14 | 1.17 | 0.75 | 0.62 | 0.48 | 0.46 | 0.43 |
| | 65F | TC | 3.83 | 5.41 | 7.40 | 8.08 | 8.66 | 9.56 | 10.15 | 10.86 | 11.48 | 12.21 | 9.85 | 8.71 | 7.57 | 7.57 | 7.42 |
| | | Input | 0.80 | 0.87 | 0.96 | 1.01 | 1.07 | 1.14 | 1.15 | 1.16 | 1.18 | 1.20 | 0.77 | 0.63 | 0.49 | 0.47 | 0.44 |
| | 70F | TC | 3.72 | 5.23 | 7.18 | 7.86 | 8.42 | 9.27 | 9.90 | 10.51 | 11.15 | 11.82 | 9.57 | 8.47 | 7.37 | 7.32 | 7.22 |
| | | Input | 0.82 | 0.90 | 0.98 | 1.04 | 1.10 | 1.17 | 1.18 | 1.19 | 1.21 | 1.22 | 0.79 | 0.65 | 0.50 | 0.48 | 0.45 |
| 75F | TC | 3.57 | 5.04 | 6.93 | 7.57 | 8.06 | 8.87 | 9.47 | 10.05 | 10.65 | 11.31 | 9.17 | 8.14 | 7.11 | 7.05 | 6.94 | |
| | Input | 0.84 | 0.93 | 1.00 | 1.06 | 1.14 | 1.20 | 1.22 | 1.23 | 1.24 | 1.26 | 0.81 | 0.67 | 0.52 | 0.49 | 0.46 | |
| 9HWMS-HH-SYS | 60F | TC | 7.50 | 8.44 | 9.38 | 10.57 | 11.15 | 12.61 | 12.81 | 13.64 | 14.29 | 14.66 | 15.29 | 15.82 | 16.22 | 17.32 | 17.89 |
| | | Input | 1.25 | 1.28 | 1.49 | 1.65 | 1.63 | 1.61 | 1.58 | 1.56 | 1.53 | 1.48 | 1.43 | 1.32 | 1.28 | 1.18 | 1.13 |
| | 65F | TC | 7.40 | 8.32 | 9.24 | 10.41 | 10.99 | 12.01 | 12.39 | 13.09 | 13.70 | 14.45 | 14.93 | 15.40 | 15.68 | 16.45 | 16.84 |
| | | Input | 1.31 | 1.33 | 1.52 | 1.69 | 1.66 | 1.64 | 1.61 | 1.59 | 1.57 | 1.52 | 1.47 | 1.36 | 1.32 | 1.22 | 1.16 |
| | 70F | TC | 7.29 | 8.20 | 9.11 | 10.26 | 10.83 | 11.40 | 11.97 | 12.53 | 13.10 | 14.24 | 14.56 | 14.98 | 15.14 | 15.57 | 15.79 |
| | | Input | 1.35 | 1.38 | 1.55 | 1.72 | 1.70 | 1.67 | 1.65 | 1.62 | 1.60 | 1.55 | 1.50 | 1.39 | 1.35 | 1.25 | 1.20 |
| 75F | TC | 7.18 | 8.07 | 8.97 | 10.11 | 10.67 | 10.79 | 11.54 | 11.98 | 12.51 | 14.03 | 14.20 | 14.56 | 14.60 | 14.70 | 14.75 | |
| | Input | 1.42 | 1.45 | 1.58 | 1.75 | 1.73 | 1.71 | 1.68 | 1.66 | 1.64 | 1.59 | 1.54 | 1.43 | 1.39 | 1.29 | 1.23 | |
| 12HWMS-HH-SYS | 60F | TC | 8.32 | 9.36 | 10.40 | 12.09 | 12.46 | 13.58 | 13.72 | 14.33 | 14.52 | 14.66 | 15.29 | 15.82 | 16.22 | 17.32 | 17.89 |
| | | Input | 1.58 | 1.71 | 1.75 | 2.04 | 1.96 | 1.88 | 1.80 | 1.72 | 1.64 | 1.48 | 1.43 | 1.32 | 1.28 | 1.18 | 1.13 |
| | 65F | TC | 8.20 | 9.22 | 10.25 | 11.92 | 12.28 | 13.12 | 13.27 | 13.75 | 13.92 | 14.45 | 14.93 | 15.40 | 15.68 | 16.45 | 16.84 |
| | | Input | 1.62 | 1.74 | 1.79 | 2.08 | 2.00 | 1.92 | 1.84 | 1.76 | 1.68 | 1.52 | 1.47 | 1.36 | 1.32 | 1.22 | 1.16 |
| | 70F | TC | 8.08 | 9.09 | 10.10 | 11.74 | 12.10 | 12.45 | 12.81 | 13.17 | 13.53 | 14.24 | 14.56 | 14.98 | 15.14 | 15.57 | 15.79 |
| | | Input | 1.67 | 1.77 | 1.82 | 2.13 | 2.04 | 1.96 | 1.88 | 1.80 | 1.72 | 1.55 | 1.50 | 1.39 | 1.35 | 1.25 | 1.20 |
| 75F | TC | 7.96 | 8.95 | 9.94 | 11.56 | 11.92 | 11.79 | 12.36 | 12.59 | 13.43 | 14.03 | 14.20 | 14.56 | 14.60 | 14.70 | 14.75 | |
| | Input | 1.72 | 1.80 | 1.86 | 2.17 | 2.08 | 2.00 | 1.92 | 1.84 | 1.75 | 1.59 | 1.54 | 1.43 | 1.39 | 1.29 | 1.23 | |
| 18HWMS-HH-SYS | 60F | TC | 11.99 | 15.57 | 18.03 | 18.77 | 19.31 | 20.05 | 20.84 | 21.63 | 22.42 | 24.01 | 24.14 | 24.32 | 25.00 | 26.88 | 27.85 |
| | | Input | 2.64 | 2.93 | 3.22 | 3.56 | 3.39 | 3.20 | 3.02 | 2.85 | 2.68 | 2.34 | 2.31 | 2.21 | 2.23 | 2.27 | 2.29 |
| | 65F | TC | 12.21 | 15.34 | 17.77 | 18.49 | 19.16 | 19.92 | 20.70 | 21.49 | 22.28 | 23.86 | 23.99 | 24.17 | 24.85 | 26.73 | 27.70 |
| | | Input | 2.68 | 2.99 | 3.28 | 3.64 | 3.46 | 3.28 | 3.10 | 2.93 | 2.76 | 2.41 | 2.38 | 2.28 | 2.30 | 2.34 | 2.36 |
| | 70F | TC | 12.42 | 15.11 | 17.51 | 18.22 | 19.00 | 19.79 | 20.57 | 21.35 | 22.14 | 23.71 | 23.84 | 24.02 | 24.70 | 26.58 | 27.55 |
| | | Input | 2.71 | 3.05 | 3.35 | 3.71 | 3.53 | 3.36 | 3.18 | 3.01 | 2.83 | 2.48 | 2.45 | 2.35 | 2.37 | 2.41 | 2.43 |
| 75F | TC | 12.64 | 14.89 | 17.25 | 17.95 | 18.85 | 19.66 | 20.44 | 21.22 | 22.00 | 23.56 | 23.69 | 23.87 | 24.55 | 26.43 | 27.40 | |
| | Input | 2.75 | 3.11 | 3.41 | 3.78 | 3.61 | 3.44 | 3.27 | 3.09 | 2.91 | 2.55 | 2.52 | 2.42 | 2.44 | 2.48 | 2.50 | |
| 24HWMS-HH-SYS | 60F | TC | 15.20 | 20.13 | 24.24 | 25.49 | 26.34 | 26.66 | 27.55 | 27.82 | 28.13 | 28.30 | 28.89 | 29.79 | 30.36 | 31.92 | 32.72 |
| | | Input | 3.19 | 3.62 | 3.93 | 4.24 | 4.34 | 4.20 | 4.38 | 4.44 | 3.94 | 3.72 | 3.71 | 3.28 | 3.26 | 3.22 | 3.20 |
| | 65F | TC | 15.13 | 19.84 | 23.89 | 25.61 | 26.19 | 26.50 | 27.10 | 27.39 | 27.85 | 28.10 | 28.67 | 29.74 | 30.30 | 31.85 | 32.65 |
| | | Input | 3.30 | 3.69 | 4.01 | 4.33 | 4.32 | 4.19 | 4.22 | 4.19 | 3.88 | 3.65 | 3.63 | 3.24 | 3.22 | 3.17 | 3.15 |
| | 70F | TC | 15.05 | 19.54 | 23.54 | 25.72 | 26.03 | 26.34 | 26.65 | 26.96 | 27.28 | 27.90 | 28.44 | 29.68 | 30.24 | 31.78 | 32.57 |
| | | Input | 3.40 | 3.77 | 4.09 | 4.41 | 4.29 | 4.18 | 4.06 | 3.94 | 3.82 | 3.58 | 3.55 | 3.19 | 3.17 | 3.12 | 3.09 |
| 75F | TC | 14.98 | 19.25 | 23.18 | 25.83 | 25.88 | 26.19 | 26.21 | 26.44 | 27.10 | 27.70 | 28.22 | 29.63 | 30.18 | 31.71 | 32.50 | |
| | Input | 3.51 | 3.84 | 4.17 | 4.50 | 4.27 | 4.17 | 3.90 | 3.69 | 3.76 | 3.52 | 3.47 | 3.15 | 3.13 | 3.07 | 3.04 | |

LEGEND

DB --- Dry Bulb

TC --- Total Net Capacity (1000 Btu/hour)

COP --- W/W

WB --- Wet Bulb

Input --- Total Power (kW)

Control Options

| Part Number | Description |
|-------------|---|
| MWRC2 | Wireless infrared remote controller with timer, sleep function, follow me and turbo function. (Included with each HWMS-HH system.) |
| SWC120LR | Standard wired wall controller with operation mode control, timer and follow me functions. |
| WFI-MS1 | Wifi Smart Kit that will allow the system to connect to WiFi. |
| DWC120X2 | Deluxe wired wall controller with programmable weekly timer, auto-restart, child lock, and follow me functions. The DWC120X2 also functions as a receiver for the MWRC remote controller. |



MWRC2
Wireless Remote



SWC120LR
Standard Wired



DWC120X2
Deluxe Wired Wall



WFI-MS1
WiFi Interface
Module



2480 Grand Avenue

Vista, CA 92081

Phone (760) 670-3005

Fax (760) 670-3307

www.multimfg-usa.com