



MPHP-HH

Hyper Heat Multi-Position System



High Efficiency Communicating, with Full Heating Capacity down to 5° F

1.5 Ton - 5 Ton, with Efficiencies up to 18.00 SEER2 and 12.4 EER2



The MPHP-HH is a highly efficient split system, with a 4-way multi-position indoor direct drive air handler and an outdoor side discharge heat pump unit. The indoor air handler can be installed in various locations, including closet, attic, garage and ceiling suspended. With a wide range of sizes, from 1.5 to 5 tons, and flexibility of application, this highly efficient system is the solution for many projects.

Typical installations for the MPHP-HH include:

- Apartments
- Condominiums
- Independent Care Facilities
- Manufactured Homes
- Single Family Homes
- Modular Buildings
- Student Housing
- Offices
- Stores



Features

Highly Efficient / High Performance

- Highly Efficient Inverter Compressor, with Efficiencies up to 18.00 SEER2
- Air Handler EC Blower Motor, with Available ESP up to 1.00" WC
- Low Amp Draw DC motor in Outdoor HP

Quiet Operation, Inside and Outside

- Low Sone DC motor in MPHP Air Handler
- Quiet Inverter Compressor in Outdoor Heat Pump, with Sound Levels as low as 56 dBA

Heating at Low Ambient Conditions

- Standard Base Pan Heaters
- Heat Strip Options Available, Factory Installed or Field Install
- Full Heat Pump Heating Capacity down to 5° F
- Crankcase Heater

Fresh Air

- Optional Field Install OSA Fan-Assisted Fresh Air Package is available

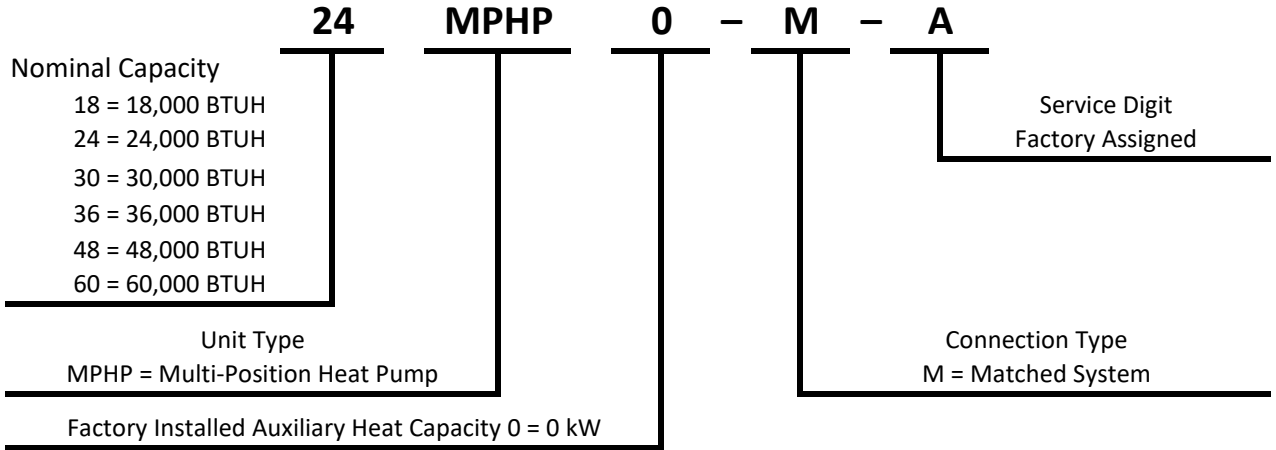
Design

- Versatile air handler design; field convertible Hz Left, Hz Right or downflow
- Intelligent Preheating and Intelligent Defrosting
- Electronic Expansion Valve
- Factory Installed 24V Control Board with High, Medium and Low Motor Speed Taps
- Compatible with Standard 24V 2 Stage Heat / 1 Stage Cool Thermostats
- Compatible with Multi Mfg Wired Wall Controller
- Pre-Coated Fins on Evaporator and Condenser Coils
- Air Handler coils are aluminum fin / aluminum tube
- Condenser coils are aluminum fin / copper tube

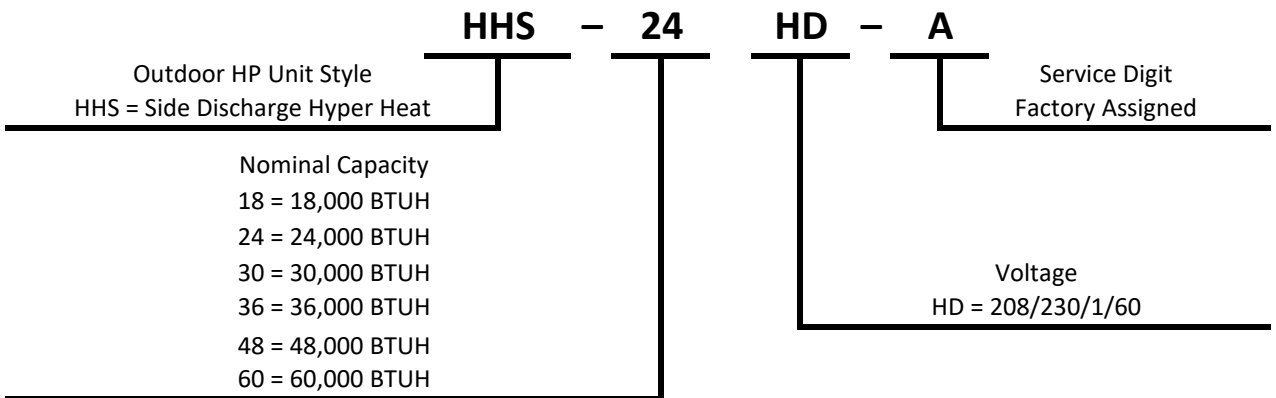


Nomenclature

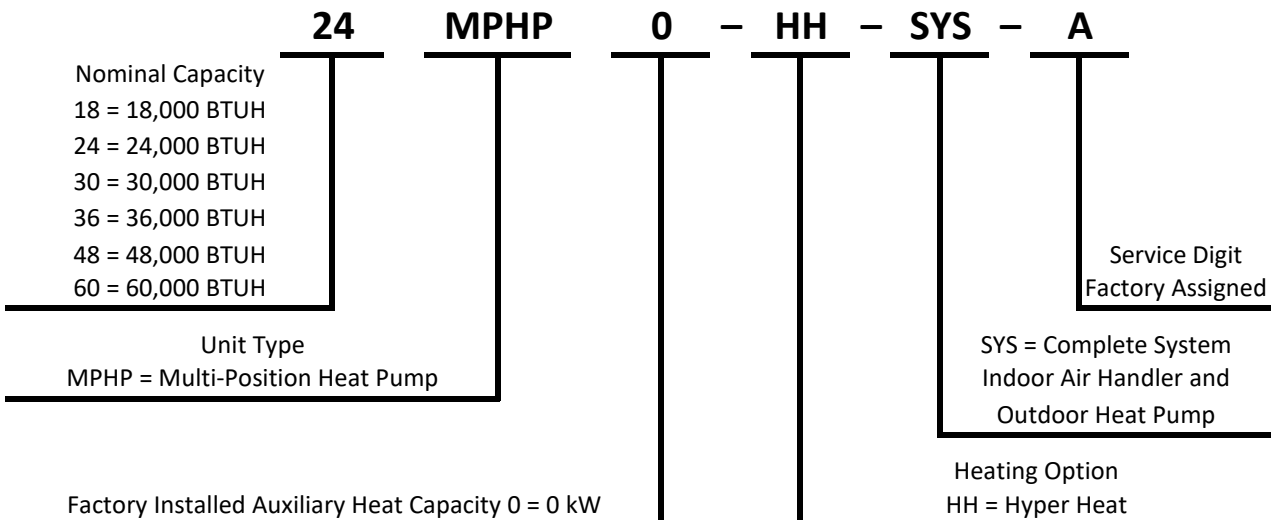
Indoor Unit



Outdoor Unit



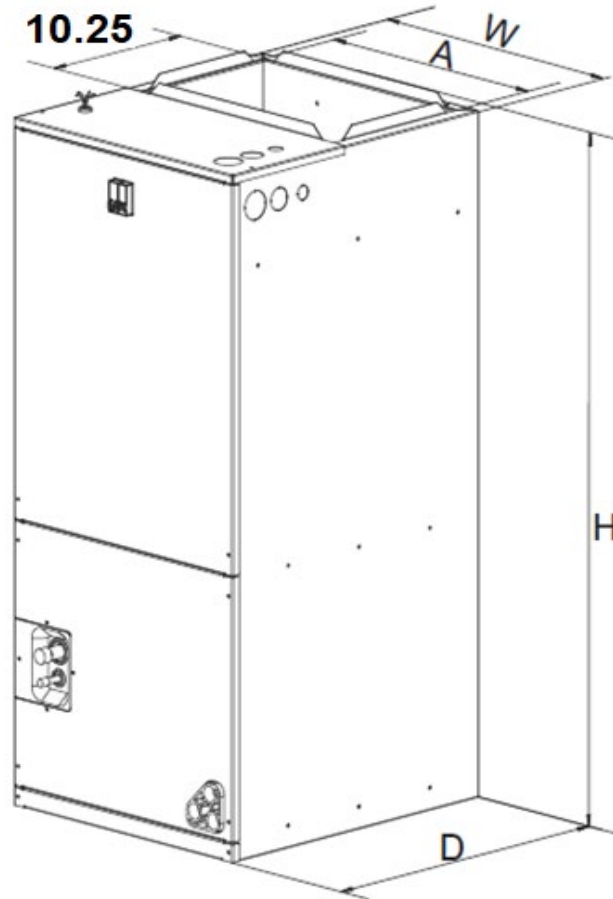
System



MPHP

1.5 ton - 5.0 ton Heat Pump Air Handler

Dimensional Data



Unit	Height (H)	Width (W)	Depth (D)	Supply Width (A)	Supply Depth	Weight (lbs)
18MPHP	45.0	17.5	21.0	15.75	10.25	106
24MPHP	45.0	17.5	21.0	15.75	10.25	106
30MPHP	49.0	21.0	21.0	19.31	10.25	129
36MPHP	49.0	21.0	21.0	19.31	10.25	129
48MPHP	49.0	21.0	21.0	19.31	10.25	131
60MPHP	53.0	24.5	21.0	22.88	10.25	131

Dimensions shown are in Inches

Condensate Connections on all units are 3/4"

Dimensional Data

Figure 1

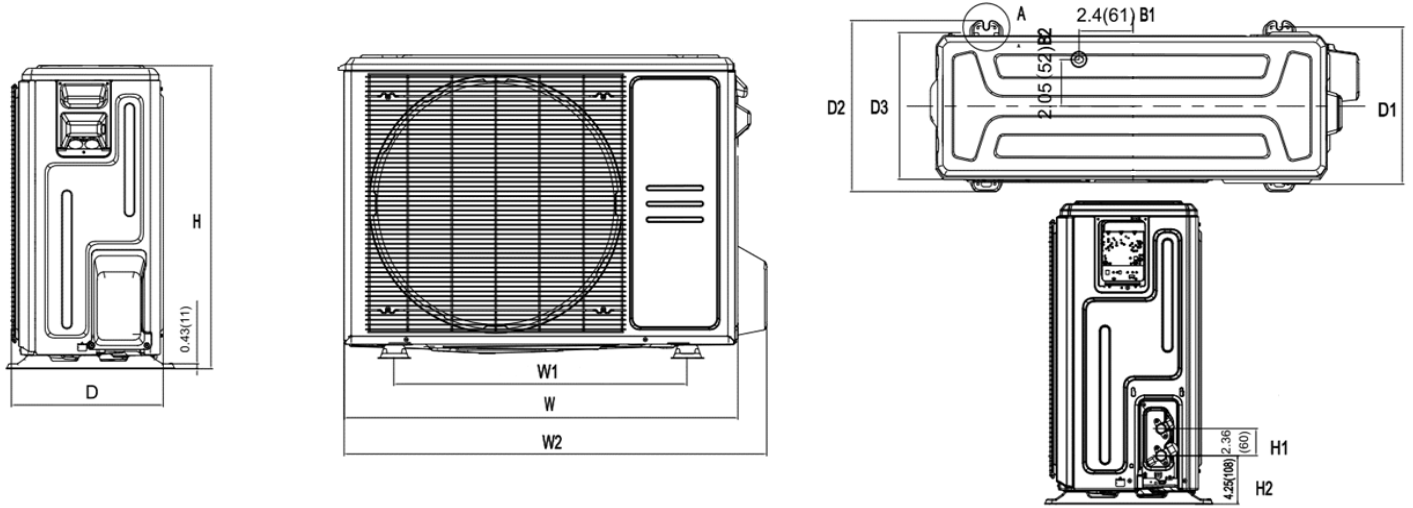
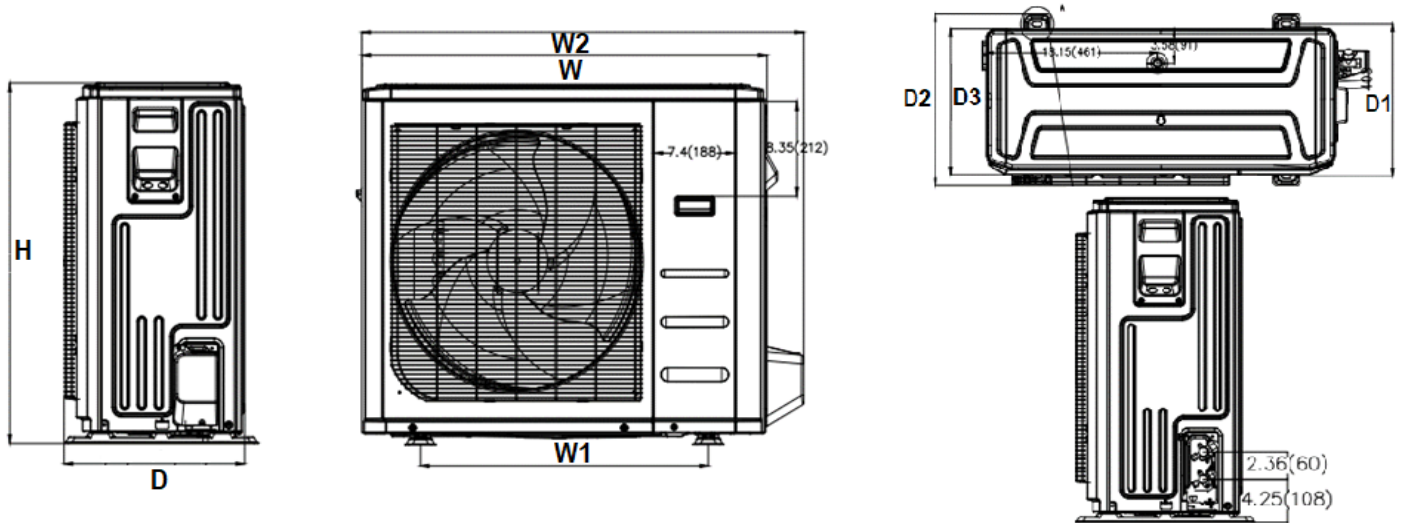


Figure 2

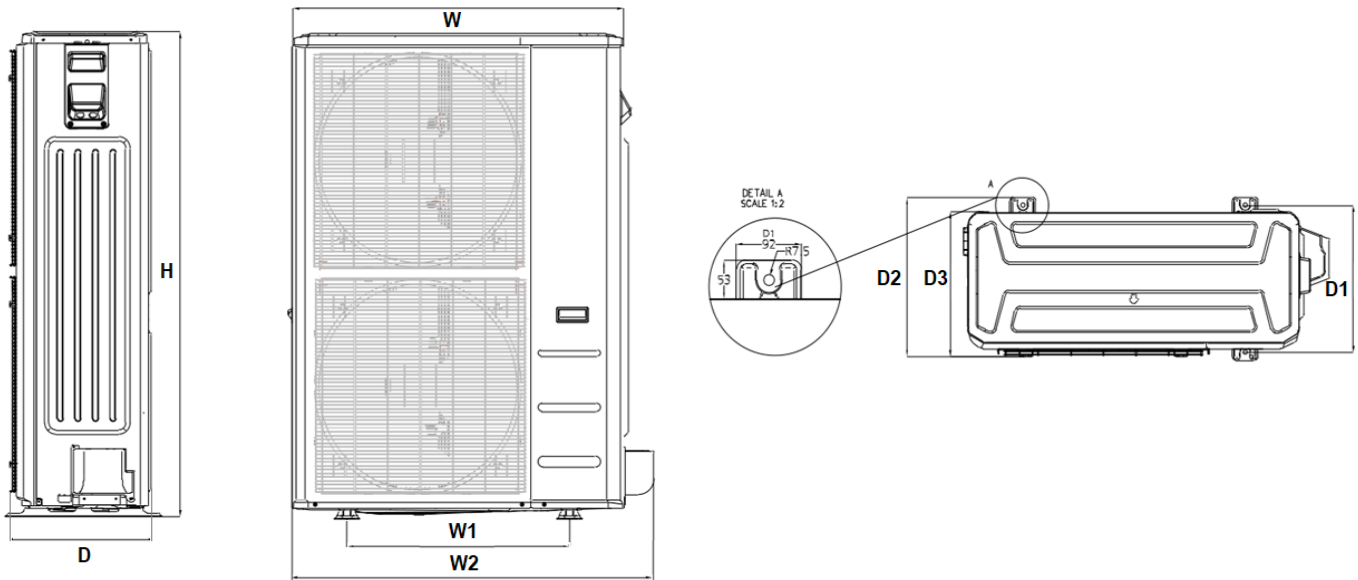


Unit	Figure	Unit Width (W)	Unit Width w/Elec (W2)	Unit Height (H)	Unit Depth (D)	Bracket Width (W1)	Bracket Depth (D2)	Weight (lbs)
HHS-18HD-A	1	35.05	37.60	26.50	13.45	26.10	14.95	103
HHS-24HD-A	2	37.25	40.55	31.90	16.15	26.50	15.90	137
HHS-30HD-A	2	37.25	40.55	31.90	16.15	26.50	15.90	160

Dimensions shown are in Inches

Dimensional Data

Figure 3



Unit	Figure	Unit Width (W)	Unit Width w/Elec (W2)	Unit Height (H)	Unit Depth (D)	Bracket Width (W1)	Bracket Depth (D2)	Weight (lbs)
HHS-36HD-A	3	37.50	41.15	52.50	16.34	25.00	18.00	221
HHS-48HD-A	3	37.50	41.15	52.50	16.34	25.00	18.00	228
HHS-60HD-A	3	37.50	41.15	52.50	16.34	25.00	18.00	240

Dimensions shown are in Inches

MPHP

1.5 ton - 5.0 ton Heat Pump Air Handler

Electrical Data

Model Number	Electric Heat		Indoor Fan Motor		Circuit 1				Circuit 2				
					Min. Cir. Ampacity		MOCP		Min. Cir. Ampacity		MOCP		
	kW	BTUH		Input (W)	Output (W)	208V	230V	208V	230V	208V	230V	208V	230V
18MPHP*-M-A		0	0			0	487	600	1.9	2.5	15.0	15.0	
	3	7700	10200	487	600	14.0	16.0	15.0	20.0				
	5	12795	17060	487	600	23.0	27.0	25.0	30.0				
	8	20500	27300	487	600	37.0	42.0	40.0	45.0				
	10	25575	34100	487	600	46.0	53.0	50.0	60.0				
24MPHP*-M-A	0	0	0	487	600	3.0	4.0	15.0	15.0				
	5	12795	17060	487	600	23.0	27.0	25.0	30.0				
	8	20500	27300	487	600	37.0	42.0	40.0	45.0				
	10	25575	34100	487	600	46.0	53.0	50.0	60.0				
	15	38400	51200	487	600	23.0	27.0	25.0	30.0	46.0	53.0	50.0	60.0
30MPHP*-M-A	0	0	0	487	600	3.4	4.5	15.0	15.0				
	5	12795	17060	487	600	23.0	27.0	25.0	30.0				
	8	20500	27300	487	600	37.0	42.0	40.0	45.0				
	10	25575	34100	487	600	46.0	53.0	50.0	60.0				
	15	38400	51200	487	600	23.0	27.0	25.0	30.0	46.0	53.0	50.0	60.0
36MPHP*-M-A	0	0	0	487	600	3.8	5.0	15.0	15.0				
	5	12795	17060	487	600	23.0	27.0	25.0	30.0				
	8	20500	27300	487	600	37.0	42.0	40.0	45.0				
	10	25575	34100	487	600	46.0	53.0	50.0	60.0				
	15	38400	51200	487	600	23.0	27.0	25.0	30.0	46.0	53.0	50.0	60.0
	20	51150	68200	487	600	46.0	53.0	50.0	60.0	46.0	53.0	50.0	60.0
48MPHP*-M-A	0	0	0	487	600	5.7	7.5	15.0	15.0				
	8	20500	27300	487	600	37.0	42.0	40.0	45.0				
	10	25575	34100	487	600	46.0	53.0	50.0	60.0				
	15	38400	51200	487	600	23.0	27.0	25.0	30.0	46.0	53.0	50.0	60.0
	20	51150	68200	487	600	46.0	53.0	50.0	60.0	46.0	53.0	50.0	60.0
60MPHP*-M-A	0	0	0	487	600	6.8	9.0	15.0	15.0				
	10	25575	34100	487	600	46.0	53.0	50.0	60.0				
	15	38400	51200	487	600	23.0	27.0	25.0	30.0	46.0	53.0	50.0	60.0
	20	51150	68200	487	600	46.0	53.0	50.0	60.0	46.0	53.0	50.0	60.0

* Note: The indoor unit, with 0 kW heat strip, is powered solely by the outdoor unit.

All MPHP indoor units, with electric heat strip, shall be powered by a separate indoor electrical circuit which solely powers the strip heaters.



1.5 ton - 5.0 ton Heat Pump Outdoor Unit

Electrical Data

Model		HHS-18HD-A	HHS-24HD-A	HHS-30HD-A	HHS-36HD-A	HHS-48HD-A	HHS-60HD-A
Power Supply	V/Hz/Ph	208/230/60/1					
Compressor	Type	Inverter					
Packaging	H x W x D	29.1 x 39.2 x 15.7	34.8 x 42.9 x 19.7	34.8 x 42.9 x 19.7	58.3 x 43.1 x 19.5	58.3 x 43.1 x 19.5	58.3 x 43.1 x 19.5
Packaged Weight	Lbs	110	150	170	249	249	271
Noise Level	dB(A)	58	64	61.5	64	64	63.5
Liquid - Suction	Inch	3/8 - 3/4	3/8 - 3/4	3/8 - 3/4	3/8 - 3/4	3/8 - 3/4	3/8 - 7/8
Max Lineset Length	Feet	98	164	213	213	213	213
Max Lineset	Feet	66	82	98	98	98	98
Refrigerant		R410a	R410a	R410a	R410a	R410a	R410a
Refrigerant	Feet	25	25	25	25	25	25
Additional Charge	Oz	0.69	0.69	0.69	0.69	0.69	0.69
Design Pressure	Psi	550	550	550	550	550	550
Indoor Operating Range	Cooling DB Min / Max	60°F / 90°F	60°F / 90°F	60°F / 90°F	60°F / 90°F	60°F / 90°F	60°F / 90°F
	Heating DB Min / Max	32°F / 86°F	32°F / 86°F	32°F / 86°F	32°F / 86°F	32°F / 86°F	32°F / 86°F
Outdoor Operating Range	Cooling DB Min / Max	5°F / 122°F	5°F / 122°F	5°F / 122°F	5°F / 122°F	5°F / 122°F	5°F / 122°F
	Heating DB Min / Max	-22°F / 75°F	-22°F / 75°F	-22°F / 75°F	-22°F / 75°F	-22°F / 75°F	-22°F / 75°F

Systems with Indoor Air Handler Powered by Outdoor Heat Pump							
Unit	V / PH	Oper Volts		Compressor	Fan	MCA	Max Fuse
		Max	Min	Input (W)	Input (W)		
HHS-18HD-A	208/230/1	253	187	1945	88	16.0	20.0
HHS-24HD-A		253	187	1945	150	20.5	35.0
HHS-30HD-A		253	187	2600	150	23.0	35.0
HHS-36HD-A		253	187	3565	252	41.0	50.0
HHS-48HD-A		253	187	3565	252	42.0	50.0
HHS-60HD-A		254	188	3770	252	42.0	60.0

MCA - Minimum Circuit Ampacity

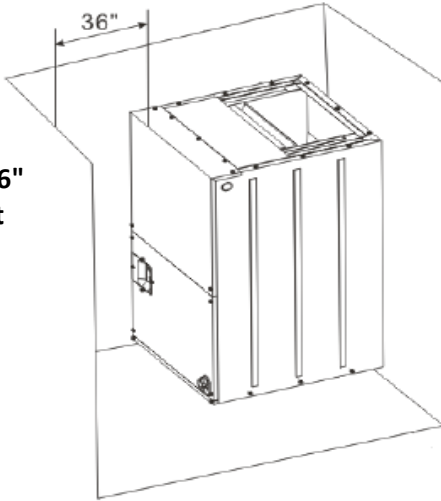
Systems with Outdoor Heat Pump and Indoor Air Handler with Individual Power Supply						
Outdoor Heat Pump				Indoor Air Handler		
Model	V / PH	MCA	Max Fuse	Model	MCA	Max Fuse
HHS-18HD-A	208/230/1	14.1	20.0	18MPHP0-M-A	1.9	15.0
HHS-24HD-A		17.3	25.0	24MPHP0-M-A	3.0	15.0
HHS-30HD-A		20.5	30.0	30MPHP0-M-A	3.4	15.0
HHS-36HD-A		33.1	40.0	36MPHP0-M-A	3.8	15.0
HHS-48HD-A		34.2	50.0	48MPHP0-M-A	5.7	15.0
HHS-60HD-A		34.7	50.0	60MPHP0-M-A	6.8	15.0

MCA - Minimum Circuit Ampacity

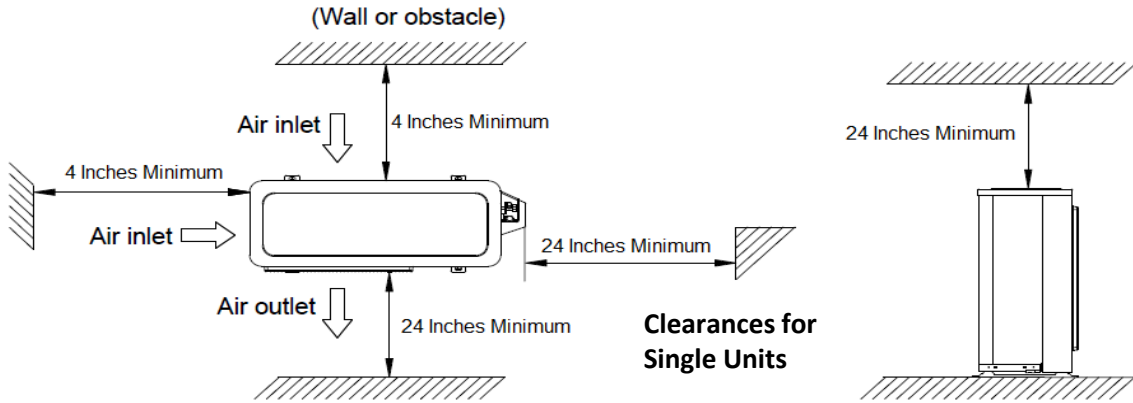
Clearances

MPHP Indoor Units

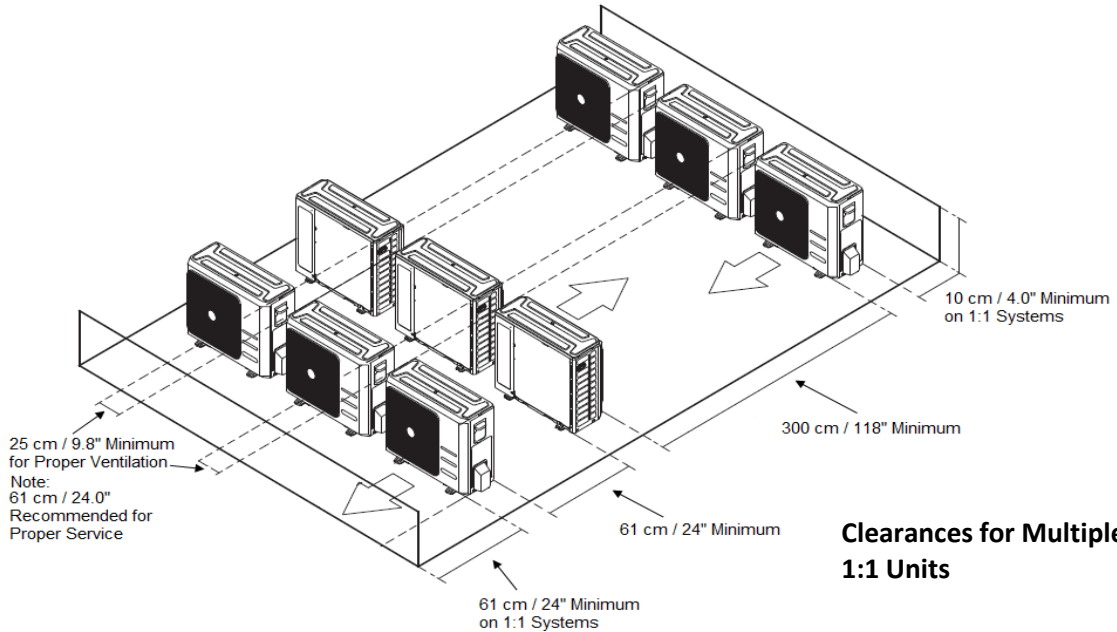
Service Clearance of 36" at the front of the unit



HHS Outdoor Units



Clearances for Single Units



Clearances for Multiple 1:1 Units

MPPHP

1.5 ton - 5.0 ton Heat Pump Air Handler

Blower Table

AHU Model Number	Speed	EXTERNAL STATIC PRESSURE (in.w.g.)									
		0	0.1	0.15	0.2	0.3	0.4	0.5	0.6	0.8	1.0
18MPPHP	Turbo	611	616	618	615	612	618	620	610	613	
	High	573	577	580	576	579	574	573	576	577	574
	Medium	524	528	532	542	523	524	533	523	521	519
	Low	489	493	490	488	501	497	495	492	489	488
24MPPHP	Turbo	820	825	822	820	825	822	825	820	822	
	High	752	746	750	756	750	746	741	745	735	714
	Medium	692	690	685	695	693	692	688	684	670	654
	Low	598	613	625	630	632	635	631	624	614	624
30MPPHP	Turbo	986	984	983	980	985	989	985	992	988	
	High	899	895	902	898	900	909	901	908	905	899
	Medium	813	811	813	816	815	811	809	801	807	801
	Low	722	705	713	705	708	711	707	704	702	698
36MPPHP	Turbo	1179	1180	1185	1182	1184	1191	1182	1189	1188	
	High	1137	1123	1119	1120	1112	1111	1113	1101	1094	1088
	Medium	1010	1001	1001	1000	995	995	996	983	996	969
	Low	879	883	888	892	893	893	892	890	873	826
48MPPHP	Turbo	1465	1467	1480	1470	1466	1475	1470	1478	1473	
	High	1325	1328	1337	1337	1330	1333	1338	1335	1321	1321
	Medium	1155	1156	1154	1154	1143	1147	1149	1143	1140	1113
	Low	946	943	942	948	947	940	940	933	925	925
60MPPHP	Turbo	1799	1800	1798	1796	1802	1805	1798	1800	1806	
	High	1591	1595	1604	1604	1599	1602	1605	1603	1589	1586
	Medium	1255	1257	1262	1262	1256	1258	1259	1255	1251	1232
	Low	1142	1143	1142	1145	1143	1147	1149	1143	1140	1113

Please see page 11 special settings for increased air flow.

MPHP

1.5 ton - 5.0 ton Heat Pump Air Handler

Various Air Handler Blower Settings

Air Handler	Fan Speed	CFM	Air Handler	Fan Speed	CFM
18MPHP0 (1/3HP)	Cooling Turbo	618	36MPHP0 (1/2HP)	Cooling Turbo	1188
	Cooling High	576		Cooling High	1082
	Cooling Medium	529		Cooling Medium	971
	Cooling Low	488		Cooling Low	865
	Heat Pump Turbo	565		Heat Pump Turbo	1112
	Heat Pump High	541		Heat Pump High	1059
	Heat Pump Medium	435		Heat Pump Medium	794
	Heat Pump Low	400		Heat Pump Low	582
	Aux Heater Default 0	653		Aux Heater Default 0	1306
	Auxiliary Heater 1	624		Auxiliary Heater 1	1241
	Auxiliary Heater 2	594		Auxiliary Heater 2	1176
	Auxiliary Heater 3	565		Auxiliary Heater 3	1112
24MPHP0 (1/2HP)	Cooling Turbo	824	48MPHP0 (3/4HP)	Cooling Turbo	1471
	Cooling High	759		Cooling High	1282
	Cooling Medium	694		Cooling Medium	1094
	Cooling Low	629		Cooling Low	906
	Heat Pump Turbo	788		Heat Pump Turbo	1471
	Heat Pump High	753		Heat Pump High	1306
	Heat Pump Medium	641		Heat Pump Medium	1141
	Heat Pump Low	524		Heat Pump Low	976
	Aux Heater Default 0	871		Aux Heater Default 0	1741
	Auxiliary Heater 1	841		Auxiliary Heater 1	1653
	Auxiliary Heater 2	818		Auxiliary Heater 2	1559
	Auxiliary Heater 3	788		Auxiliary Heater 3	1471
30MPHP0 (1/2HP)	Cooling Turbo	988	60MPHP0 (1HP)	Cooling Turbo	1806
	Cooling High	894		Cooling High	1582
	Cooling Medium	806		Cooling Medium	1359
	Cooling Low	712		Cooling Low	1135
	Heat Pump Turbo	918		Heat Pump Turbo	1659
	Heat Pump High	876		Heat Pump High	1582
	Heat Pump Medium	665		Heat Pump Medium	1247
	Heat Pump Low	453		Heat Pump Low	976
	Aux Heater Default 0	1088		Aux Heater Default 0	2171
	Auxiliary Heater 1	1029		Auxiliary Heater 1	2029
	Auxiliary Heater 2	976		Auxiliary Heater 2	1894
	Auxiliary Heater 3	918		Auxiliary Heater 3	1753

Notes:

1. Cooling Turbo & Heat Pump Turbo fan speeds are only available when using the DWC120X2 wired wall controller.
2. Auxiliary Heater fan speeds are available with either DWC120X2 wired wall controller or 24V thermostat.
3. The Auxiliary Heater settings 0, 1, 2 and 3 are set with dip switches, on the air handler board.

Matched System Ratings

System	Indoor Air Handler	Outdoor HP	SEER2	EER2	HSPF2	BTU Cooling	BTU Heating	AHRI Reference Number
18MPHP0-HH-SYS	18MPHP0-M-A	HHS-18HD-A	18.00	12.4	9.3	18,000	19,000	212920478
24MPHP0-HH-SYS	24MPHP0-M-A	HHS-24HD-A	17.40	11.7	10.0	24,000	24,000	212920479
30MPHP0-HH-SYS	30MPHP0-M-A	HHS-30HD-A	16.20	9.8	8.9	30,000	33,000	212920480
36MPHP0-HH-SYS	36MPHP0-M-A	HHS-36HD-A	15.80	9.8	9.5	36,000	40,000	212920481
48MPHP0-HH-SYS	48MPHP0-M-A	HHS-48HD-A	15.60	8.2	9.4	47,000	50,000	212920482
60MPHP0-HH-SYS	60MPHP0-M-A	HHS-60HD-A	15.30	8.8	9.4	55,000	59,000	212920483

System	Indoor Air Handler	Outdoor HP	Cooling Capacity Range BTU	Heating Capacity Range BTU
18MPHP0-HH-SYS	18MPHP0-M-A	HHS-18HD-A	6,880 - 21,000	2,800 - 21,000
24MPHP0-HH-SYS	24MPHP0-M-A	HHS-24HD-A	6,400 - 27,000	10,100 - 31,000
30MPHP0-HH-SYS	30MPHP0-M-A	HHS-30HD-A	10,000 - 33,600	11,500 - 37,000
36MPHP0-HH-SYS	36MPHP0-M-A	HHS-36HD-A	13,000 - 47,400	11,000 - 57,200
48MPHP0-HH-SYS	48MPHP0-M-A	HHS-48HD-A	15,000 - 48,000	11,000 - 55,000
60MPHP0-HH-SYS	60MPHP0-M-A	HHS-60HD-A	14,000 - 56,000	13,400 - 69,000

Air Handler Noise Level (dBA)

Fan Coil	High	Med	Low
18MPHP0-M-A	42	40	35
24MPHP0-M-A	43	40.5	35
30MPHP0-M-A	45	42.5	38
36MPHP0-M-A	46.5	43	38
48MPHP0-M-A	54	52	50
60MPHP0-M-A	51	45.5	41.5



18MPHP0-HH-SYS &
24MPHP0-HH-SYS

Outdoor HP Noise Level

Fan Coil	dBA
HHS-18HD-A	58
HHS-24HD-A	64
HHS-30HD-A	62
HHS-36HD-A	64
HHS-48HD-A	64
HHS-60HD-A	64



18MPHP-HH-SYS Expanded Cooling @ 489 CFM

CFM	ODDB	ID WB(°F)	60.8°F					67.0°F					71.6°F				
		ID DB(°F)	73.4°F	77.0°F	80.0°F	80.6°F	84.2°F	73.4°F	77.0°F	80.0°F	80.6°F	84.2°F	73.4°F	77.0°F	80.0°F	80.6°F	84.2°F
489	50°F	TC	16890	16912	16931	16931	16954	18977	19002	19023	19027	19048	20121	20143	20165	20168	20193
		S/T	0.43	0.50	0.57	0.57	0.65	0.48	0.56	0.64	0.64	0.73	0.51	0.60	0.68	0.68	0.77
		PI	0.89	0.89	0.89	0.89	0.89	1.00	1.00	1.00	1.00	1.00	1.06	1.06	1.06	1.06	1.06
	59°F	TC	17480	17504	17522	17523	17547	19641	19666	19688	19692	19714	20824	20847	20870	20873	20899
		S/T	0.43	0.50	0.57	0.57	0.65	0.48	0.57	0.64	0.64	0.73	0.51	0.60	0.68	0.68	0.78
		PI	0.91	0.91	0.91	0.91	0.91	1.02	1.02	1.02	1.02	1.02	1.08	1.08	1.08	1.08	1.08
	68°F	TC	18070	18095	18114	18115	18139	20304	20330	20353	20357	20380	21527	21551	21574	21578	21605
		S/T	0.43	0.51	0.57	0.57	0.65	0.48	0.57	0.65	0.65	0.74	0.51	0.60	0.68	0.68	0.78
		PI	0.92	0.92	0.92	0.92	0.93	1.04	1.04	1.04	1.04	1.04	1.10	1.10	1.10	1.10	1.10
	77°F	TC	18661	18686	18706	18707	18732	20967	20995	21018	21022	21045	22231	22255	22279	22283	22310
		S/T	0.44	0.52	0.59	0.59	0.67	0.50	0.58	0.66	0.66	0.76	0.53	0.62	0.70	0.70	0.80
		PI	0.94	0.94	0.94	0.94	0.94	1.06	1.06	1.06	1.06	1.06	1.12	1.12	1.12	1.12	1.12
	80°F	TC	18861	18887	18907	18908	18933	21193	21220	21244	21248	21272	22470	22494	22519	22522	22550
		S/T	0.45	0.53	0.60	0.60	0.68	0.50	0.59	0.67	0.67	0.77	0.53	0.63	0.71	0.71	0.81
		PI	0.94	0.95	0.95	0.95	0.95	1.06	1.06	1.06	1.06	1.07	1.13	1.13	1.13	1.13	1.13
	86°F	TC	17968	17992	18012	18012	18037	20189	20215	20238	20242	20264	21406	21429	21452	21455	21482
		S/T	0.45	0.53	0.61	0.61	0.69	0.51	0.60	0.68	0.68	0.78	0.54	0.63	0.72	0.72	0.82
		PI	1.14	1.15	1.15	1.15	1.15	1.29	1.29	1.29	1.29	1.29	1.36	1.36	1.37	1.37	1.37
	95°F	TC	16614	16637	16655	16655	16678	18668	18692	18713	18717	18738	19793	19814	19836	19839	19864
		S/T	0.46	0.54	0.61	0.61	0.70	0.52	0.61	0.69	0.69	0.78	0.55	0.64	0.73	0.73	0.83
		PI	1.45	1.45	1.45	1.45	1.45	1.63	1.63	1.63	1.63	1.63	1.72	1.73	1.73	1.73	1.73
	104°F	TC	14185	14204	14220	14220	14240	15939	15960	15977	15980	15998	16899	16918	16936	16939	16960
		S/T	0.48	0.57	0.64	0.64	0.73	0.54	0.64	0.72	0.72	0.82	0.57	0.67	0.77	0.77	0.87
		PI	1.36	1.36	1.36	1.36	1.37	1.53	1.53	1.53	1.53	1.53	1.62	1.62	1.62	1.62	1.63
	110°F	TC	12728	12745	12759	12759	12777	14301	14320	14336	14338	14354	15163	15179	15196	15198	15217
		S/T	0.49	0.57	0.65	0.65	0.74	0.55	0.64	0.73	0.73	0.83	0.58	0.68	0.78	0.78	0.88
		PI	1.31	1.31	1.31	1.31	1.31	1.47	1.47	1.47	1.47	1.47	1.56	1.56	1.56	1.56	1.56
	115°F	TC	11678	11693	11706	11707	11722	13121	13138	13153	13155	13170	13912	13927	13942	13944	13962
		S/T	0.49	0.57	0.65	0.65	0.74	0.55	0.64	0.73	0.73	0.83	0.58	0.68	0.78	0.78	0.88
		PI	1.35	1.35	1.35	1.35	1.35	1.52	1.52	1.52	1.52	1.52	1.61	1.61	1.61	1.61	1.61
122°F	TC	9465	9477	9488	9488	9501	10635	10649	10660	10662	10674	11275	11288	11300	11302	11316	
	S/T	0.51	0.59	0.67	0.67	0.77	0.57	0.67	0.76	0.76	0.86	0.60	0.71	0.80	0.80	0.92	
	PI	1.23	1.23	1.23	1.23	1.23	1.38	1.38	1.38	1.38	1.38	1.46	1.46	1.47	1.47	1.47	

TC:Total Cooling Capacity (BTU/hr)

S/T:Sensible Cooling Capacity Ratio

PI:Power Input(kW)

18MPHP-HH-SYS Expanded Cooling @ 530 CFM

CFM	ODDB	ID WB(°F)	60.8°F					67.0°F					71.6°F				
		ID DB(°F)	73.4°F	77.0°F	80.0°F	80.6°F	84.2°F	73.4°F	77.0°F	80.0°F	80.6°F	84.2°F	73.4°F	77.0°F	80.0°F	80.6°F	84.2°F
530	50°F	TC	18125	18149	18169	18169	18194	20365	20391	20414	20418	20441	21592	21616	21639	21642	21669
		S/T	0.46	0.54	0.61	0.61	0.70	0.52	0.61	0.69	0.69	0.79	0.55	0.64	0.73	0.73	0.83
		PI	0.95	0.96	0.96	0.96	0.96	1.07	1.07	1.07	1.07	1.08	1.14	1.14	1.14	1.14	1.14
	59°F	TC	18758	18783	18804	18804	18830	21077	21104	21128	21132	21155	22347	22371	22395	22399	22427
		S/T	0.46	0.54	0.62	0.62	0.70	0.52	0.61	0.69	0.69	0.79	0.55	0.65	0.73	0.73	0.84
		PI	0.97	0.97	0.97	0.97	0.98	1.09	1.09	1.09	1.09	1.10	1.16	1.16	1.16	1.16	1.16
	68°F	TC	19392	19418	19439	19439	19466	21789	21817	21841	21845	21870	23101	23127	23152	23155	23184
		S/T	0.46	0.54	0.62	0.62	0.71	0.52	0.61	0.70	0.70	0.79	0.55	0.65	0.74	0.74	0.84
		PI	0.99	0.99	0.99	0.99	0.99	1.11	1.11	1.11	1.11	1.12	1.18	1.18	1.18	1.18	1.18
	77°F	TC	20025	20052	20074	20075	20102	22500	22530	22555	22559	22584	23856	23882	23908	23912	23941
		S/T	0.48	0.56	0.64	0.64	0.72	0.54	0.63	0.71	0.71	0.81	0.57	0.67	0.76	0.76	0.86
		PI	1.01	1.01	1.01	1.01	1.01	1.13	1.13	1.13	1.13	1.14	1.20	1.20	1.20	1.20	1.20
	80°F	TC	20240	20268	20290	20290	20318	22742	22772	22797	22802	22827	24113	24139	24165	24169	24199
		S/T	0.48	0.57	0.64	0.64	0.73	0.54	0.64	0.72	0.72	0.82	0.58	0.68	0.77	0.77	0.87
		PI	1.01	1.01	1.02	1.02	1.02	1.14	1.14	1.14	1.14	1.14	1.21	1.21	1.21	1.21	1.21
	86°F	TC	19282	19308	19328	19329	19355	21665	21693	21717	21722	21746	22971	22996	23021	23024	23053
		S/T	0.49	0.57	0.65	0.65	0.74	0.55	0.64	0.73	0.73	0.84	0.58	0.68	0.78	0.78	0.89
		PI	1.23	1.23	1.23	1.23	1.23	1.38	1.38	1.38	1.38	1.38	1.46	1.46	1.47	1.47	1.47
	95°F	TC	17829	17853	17872	17873	17897	20033	20059	20081	20085	20108	21240	21263	21286	21290	21316
		S/T	0.50	0.58	0.66	0.66	0.75	0.56	0.65	0.74	0.74	0.85	0.59	0.69	0.79	0.79	0.90
		PI	1.55	1.55	1.56	1.56	1.56	1.74	1.75	1.75	1.75	1.75	1.85	1.85	1.85	1.85	1.86
	104°F	TC	15223	15243	15259	15260	15281	17104	17126	17145	17149	17168	18135	18154	18174	18177	18200
		S/T	0.52	0.61	0.69	0.69	0.79	0.58	0.69	0.78	0.78	0.89	0.62	0.73	0.83	0.83	0.94
		PI	1.46	1.46	1.46	1.46	1.46	1.64	1.64	1.64	1.64	1.65	1.74	1.74	1.74	1.74	1.74
	110°F	TC	13659	13677	13692	13692	13711	15347	15367	15384	15387	15404	16272	16289	16307	16309	16330
		S/T	0.53	0.62	0.70	0.70	0.80	0.59	0.69	0.79	0.79	0.90	0.63	0.74	0.84	0.84	0.95
		PI	1.40	1.40	1.41	1.41	1.41	1.58	1.58	1.58	1.58	1.58	1.67	1.67	1.67	1.67	1.68
115°F	TC	12532	12548	12562	12562	12579	14081	14099	14115	14117	14133	14929	14945	14961	14964	14982	
	S/T	0.53	0.62	0.70	0.70	0.80	0.59	0.69	0.79	0.79	0.90	0.63	0.74	0.84	0.84	0.95	
	PI	1.45	1.45	1.45	1.45	1.45	1.63	1.63	1.63	1.63	1.63	1.72	1.72	1.73	1.73	1.73	
122°F	TC	10157	10170	10181	10182	10196	11412	11427	11440	11442	11455	12100	12113	12126	12128	12143	
	S/T	0.54	0.64	0.73	0.73	0.83	0.61	0.72	0.82	0.82	0.93	0.65	0.76	0.87	0.87	0.99	
	PI	1.32	1.32	1.32	1.32	1.32	1.48	1.48	1.48	1.48	1.49	1.57	1.57	1.57	1.57	1.57	

TC:Total Cooling Capacity (BTU/hr)

S/T:Sensible Cooling Capacity Ratio

PI:Power Input(kW)

18MPHP-HH-SYS Expanded Cooling @ 577 CFM

CFM	ODDB	ID WB(°F)	60.8°F					67.0°F					71.6°F				
		ID DB(°F)	73.4°F	77.0°F	80.0°F	80.6°F	84.2°F	73.4°F	77.0°F	80.0°F	80.6°F	84.2°F	73.4°F	77.0°F	80.0°F	80.6°F	84.2°F
577	50°F	TC	19537	19563	19584	19585	19611	21951	21980	22004	22009	22033	23274	23299	23325	23328	23357
		S/T	0.50	0.58	0.66	0.66	0.75	0.56	0.65	0.74	0.74	0.85	0.59	0.69	0.79	0.79	0.90
		PI	1.03	1.03	1.03	1.03	1.03	1.16	1.16	1.16	1.16	1.16	1.22	1.23	1.23	1.23	1.23
	59°F	TC	20219	20247	20268	20269	20297	22719	22748	22774	22778	22803	24088	24114	24140	24144	24174
		S/T	0.50	0.58	0.66	0.66	0.76	0.56	0.66	0.75	0.75	0.85	0.59	0.70	0.79	0.79	0.90
		PI	1.05	1.05	1.05	1.05	1.05	1.18	1.18	1.18	1.18	1.18	1.25	1.25	1.25	1.25	1.25
	68°F	TC	20902	20930	20953	20954	20982	23486	23516	23543	23547	23573	24901	24928	24955	24959	24990
		S/T	0.50	0.59	0.67	0.67	0.76	0.56	0.66	0.75	0.75	0.86	0.60	0.70	0.80	0.80	0.91
		PI	1.07	1.07	1.07	1.07	1.07	1.20	1.20	1.20	1.20	1.20	1.27	1.27	1.27	1.27	1.28
	77°F	TC	21585	21614	21637	21638	21668	24253	24285	24312	24316	24343	25714	25742	25770	25774	25807
		S/T	0.51	0.60	0.69	0.69	0.78	0.58	0.68	0.77	0.77	0.88	0.61	0.72	0.82	0.82	0.93
		PI	1.09	1.09	1.09	1.09	1.09	1.22	1.22	1.22	1.22	1.22	1.29	1.29	1.30	1.30	1.30
	80°F	TC	21817	21847	21870	21871	21901	24514	24546	24573	24578	24605	25991	26019	26048	26052	26084
		S/T	0.52	0.61	0.69	0.69	0.79	0.59	0.69	0.78	0.78	0.89	0.62	0.73	0.83	0.83	0.94
		PI	1.09	1.09	1.09	1.09	1.10	1.23	1.23	1.23	1.23	1.23	1.30	1.30	1.30	1.30	1.31
	86°F	TC	20784	20812	20834	20835	20863	23353	23383	23409	23414	23440	24760	24787	24814	24818	24849
		S/T	0.53	0.62	0.70	0.70	0.80	0.59	0.70	0.79	0.79	0.90	0.63	0.74	0.84	0.84	0.95
		PI	1.32	1.33	1.33	1.33	1.33	1.49	1.49	1.49	1.49	1.49	1.58	1.58	1.58	1.58	1.58
	95°F	TC	19218	19244	19265	19265	19291	21594	21622	21646	21650	21674	22895	22920	22944	22948	22977
		S/T	0.53	0.63	0.71	0.71	0.81	0.60	0.70	0.80	0.80	0.91	0.64	0.75	0.85	0.85	0.97
		PI	1.67	1.68	1.68	1.68	1.68	1.88	1.88	1.89	1.89	1.89	1.99	2.00	2.00	2.00	2.00
	104°F	TC	16408	16430	16448	16449	16471	18437	18461	18481	18485	18505	19547	19569	19590	19593	19617
		S/T	0.56	0.66	0.75	0.75	0.85	0.63	0.74	0.84	0.84	0.96	0.67	0.78	0.89	0.89	1.00
		PI	1.57	1.57	1.58	1.58	1.58	1.77	1.77	1.77	1.77	1.77	1.87	1.88	1.88	1.88	1.88
	110°F	TC	14723	14742	14758	14759	14779	16542	16564	16582	16585	16604	17539	17558	17577	17580	17602
		S/T	0.57	0.67	0.76	0.76	0.86	0.64	0.75	0.85	0.85	0.97	0.68	0.79	0.90	0.90	1.00
		PI	1.51	1.51	1.52	1.52	1.52	1.70	1.70	1.70	1.70	1.71	1.80	1.80	1.81	1.81	1.81
115°F	TC	13508	13526	13541	13541	13559	15177	15197	15214	15217	15234	16092	16109	16127	16129	16150	
	S/T	0.57	0.67	0.76	0.76	0.86	0.64	0.75	0.85	0.85	0.97	0.68	0.79	0.90	0.90	1.00	
	PI	1.56	1.56	1.56	1.56	1.57	1.75	1.75	1.76	1.76	1.76	1.86	1.86	1.86	1.86	1.86	
122°F	TC	10948	10963	10975	10975	10990	12301	12317	12331	12333	12347	13042	13057	13071	13073	13089	
	S/T	0.59	0.69	0.78	0.78	0.89	0.66	0.77	0.88	0.88	1.00	0.70	0.82	0.93	0.93	1.00	
	PI	1.42	1.42	1.42	1.42	1.43	1.60	1.60	1.60	1.60	1.60	1.69	1.69	1.69	1.70	1.70	

TC:Total Cooling Capacity (BTU/hr)

S/T:Sensible Cooling Capacity Ratio

PI:Power Input(kW)

18MPHP-HH-SYS Expanded Cooling @ 618 CFM

CFM	ODDB	ID WB(°F)	60.8°F					67.0°F					71.6°F				
		ID DB(°F)	73.4°F	77.0°F	80.0°F	80.6°F	84.2°F	73.4°F	77.0°F	80.0°F	80.6°F	84.2°F	73.4°F	77.0°F	80.0°F	80.6°F	84.2°F
618	50°F	TC	20718	20745	20768	20769	20797	23278	23309	23335	23339	23365	24681	24708	24735	24739	24769
		S/T	0.53	0.62	0.70	0.70	0.80	0.59	0.69	0.79	0.79	0.90	0.63	0.73	0.83	0.83	0.95
		PI	1.09	1.09	1.09	1.09	1.09	1.23	1.23	1.23	1.23	1.23	1.30	1.30	1.30	1.30	1.30
	59°F	TC	21442	21471	21494	21495	21524	24092	24123	24150	24155	24182	25544	25571	25599	25603	25635
		S/T	0.53	0.62	0.70	0.70	0.80	0.59	0.70	0.79	0.79	0.90	0.63	0.74	0.84	0.84	0.96
		PI	1.11	1.11	1.11	1.11	1.11	1.25	1.25	1.25	1.25	1.25	1.32	1.32	1.33	1.33	1.33
	68°F	TC	22166	22196	22220	22221	22250	24906	24938	24966	24970	24998	26406	26435	26464	26468	26501
		S/T	0.53	0.62	0.71	0.71	0.81	0.60	0.70	0.80	0.80	0.91	0.63	0.74	0.84	0.84	0.96
		PI	1.13	1.13	1.13	1.13	1.14	1.27	1.27	1.27	1.27	1.28	1.35	1.35	1.35	1.35	1.35
	77°F	TC	22890	22921	22945	22946	22977	25719	25753	25781	25786	25815	27269	27299	27328	27333	27367
		S/T	0.55	0.64	0.73	0.73	0.83	0.61	0.72	0.82	0.82	0.93	0.65	0.76	0.87	0.87	0.99
		PI	1.15	1.15	1.15	1.15	1.16	1.29	1.30	1.30	1.30	1.30	1.37	1.37	1.37	1.37	1.38
	80°F	TC	23136	23167	23192	23193	23224	25996	26030	26059	26064	26093	27562	27592	27622	27627	27661
		S/T	0.55	0.65	0.74	0.74	0.84	0.62	0.73	0.83	0.83	0.94	0.66	0.77	0.88	0.88	1.00
		PI	1.16	1.16	1.16	1.16	1.16	1.30	1.30	1.30	1.30	1.31	1.38	1.38	1.38	1.38	1.38
	86°F	TC	22040	22070	22094	22095	22124	24765	24797	24824	24829	24857	26257	26285	26314	26318	26351
		S/T	0.56	0.66	0.75	0.75	0.85	0.63	0.74	0.84	0.84	0.96	0.67	0.78	0.89	0.89	1.00
		PI	1.40	1.41	1.41	1.41	1.41	1.58	1.58	1.58	1.58	1.58	1.67	1.67	1.68	1.68	1.68
	95°F	TC	20380	20407	20429	20430	20458	22899	22929	22954	22959	22984	24279	24305	24332	24335	24366
		S/T	0.57	0.66	0.76	0.76	0.86	0.64	0.75	0.85	0.85	0.97	0.67	0.79	0.90	0.90	1.00
		PI	1.77	1.78	1.78	1.78	1.78	1.99	2.00	2.00	2.00	2.00	2.11	2.12	2.12	2.12	2.12
	104°F	TC	17400	17424	17442	17443	17467	19551	19577	19598	19602	19624	20729	20752	20774	20777	20803
		S/T	0.59	0.70	0.79	0.79	0.90	0.67	0.78	0.89	0.89	1.00	0.71	0.83	0.94	0.94	1.00
		PI	1.67	1.67	1.67	1.67	1.67	1.87	1.88	1.88	1.88	1.88	1.99	1.99	1.99	1.99	1.99
	110°F	TC	15613	15634	15650	15651	15672	17542	17565	17585	17588	17608	18599	18620	18640	18643	18666
		S/T	0.60	0.71	0.80	0.80	0.91	0.68	0.79	0.90	0.90	1.00	0.72	0.84	0.96	0.96	1.00
		PI	1.60	1.61	1.61	1.61	1.61	1.80	1.80	1.81	1.81	1.81	1.91	1.91	1.91	1.91	1.92
	115°F	TC	14324	14344	14359	14360	14379	16095	16116	16134	16137	16155	17065	17083	17102	17105	17126
		S/T	0.60	0.71	0.80	0.80	0.91	0.68	0.79	0.90	0.90	1.00	0.72	0.84	0.96	0.96	1.00
		PI	1.65	1.66	1.66	1.66	1.66	1.86	1.86	1.86	1.86	1.86	1.97	1.97	1.97	1.97	1.98
122°F	TC	11610	11625	11638	11638	11654	13045	13062	13076	13079	13093	13831	13846	13861	13863	13880	
	S/T	0.62	0.73	0.83	0.83	0.95	0.70	0.82	0.93	0.93	1.00	0.74	0.87	0.99	0.99	1.00	
	PI	1.51	1.51	1.51	1.51	1.51	1.69	1.69	1.70	1.70	1.70	1.79	1.80	1.80	1.80	1.80	

TC:Total Cooling Capacity (BTU/hr)

S/T:Sensible Cooling Capacity Ratio

PI:Power Input(kW)

18MPHP-HH-SYS Expanded Heating @ 489 CFM

CFM	HEATING PERFORMANCE AT INDOOR DRY BULB TEMPERATURE										
	ODDB	TC: Total Heating Capacity(BTU/hr)					PI: Power Input(kW)				
		Indoor Conditions (DB °F)					Indoor Conditions (DB °F)				
		60.8°F	68°F	70°F	71.6°F	75.2°F	60.8°F	68°F	70°F	71.6°F	75.2°F
489	-22°F	9718	9523	9476	9667	9580	1.93	1.95	1.95	1.96	1.96
	-13°F	12412	12164	12103	12109	12000	2.11	2.12	2.13	2.13	2.14
	-4°F	13174	12910	12846	12851	12736	2.16	2.18	2.18	2.19	2.19
	0°F	14696	14402	14330	14336	14207	2.27	2.28	2.29	2.29	2.30
	5°F	15765	15450	15372	15379	15241	2.35	2.37	2.37	2.38	2.39
	14°F	17101	16759	16675	16683	16533	2.45	2.47	2.48	2.48	2.49
	17°F	19056	18675	18581	18589	18422	2.62	2.64	2.65	2.65	2.66
	22°F	19707	19313	19216	19225	19052	2.68	2.70	2.70	2.71	2.72
	27°F	19912	19513	19416	19424	19250	2.50	2.52	2.53	2.53	2.54
	32°F	20116	19714	19615	19624	19447	2.33	2.35	2.35	2.36	2.37
	35°F	20320	19914	19815	19823	19645	2.16	2.17	2.18	2.18	2.19
	37°F	20443	20034	19934	19943	19763	2.05	2.07	2.07	2.08	2.09
	42°F	19869	19472	19375	19383	19209	1.96	1.97	1.98	1.98	1.99
	44.6°F	19706	19311	19215	19223	19050	1.93	1.95	1.95	1.96	1.96
	47°F	19460	19070	18975	18984	18813	1.86	1.88	1.88	1.88	1.89
	52°F	18487	18117	18026	18034	17872	1.82	1.84	1.84	1.84	1.85
	57°F	17562	17211	17125	17133	16978	1.79	1.80	1.80	1.81	1.82
59°F	16684	16351	16269	16276	16130	1.75	1.76	1.77	1.77	1.78	
62°F	15850	15533	15455	15462	15323	1.72	1.73	1.73	1.74	1.74	
64.4°F	15058	14756	14683	14689	14557	1.68	1.69	1.70	1.70	1.71	

18MPHP-HH-SYS Expanded Heating @ 530 CFM

CFM	HEATING PERFORMANCE AT INDOOR DRY BULB TEMPERATURE										
	ODDB	TC: Total Heating Capacity(BTU/hr)					PI: Power Input(kW)				
		Indoor Conditions (DB °F)					Indoor Conditions (DB °F)				
		60.8°F	68°F	70°F	71.6°F	75.2°F	60.8°F	68°F	70°F	71.6°F	75.2°F
530	-22°F	10475	10265	10214	10173	10081	1.95	1.97	1.97	1.98	1.98
	-13°F	13120	12857	12793	12742	12627	2.13	2.14	2.15	2.15	2.16
	-4°F	13924	13646	13577	13523	13401	2.18	2.20	2.20	2.21	2.22
	0°F	15533	15222	15146	15086	14950	2.29	2.31	2.31	2.32	2.33
	5°F	16663	16330	16248	16183	16037	2.37	2.39	2.40	2.40	2.41
	14°F	18075	17714	17625	17555	17397	2.48	2.50	2.50	2.51	2.52
	17°F	20141	19738	19640	19561	19385	2.65	2.67	2.67	2.68	2.69
	22°F	20830	20413	20311	20230	20048	2.70	2.72	2.73	2.73	2.75
	27°F	21046	20625	20522	20440	20256	2.53	2.55	2.55	2.56	2.57
	32°F	21262	20837	20733	20650	20464	2.35	2.37	2.38	2.38	2.39
	35°F	21478	21049	20943	20860	20672	2.18	2.20	2.20	2.20	2.21
	37°F	21608	21176	21070	20985	20797	2.07	2.09	2.09	2.10	2.11
	42°F	21001	20581	20478	20397	20213	1.98	1.99	2.00	2.00	2.01
	44.6°F	20828	20412	20310	20228	20046	1.95	1.97	1.97	1.98	1.98
	47°F	20568	20157	20056	19976	19796	1.88	1.89	1.90	1.90	1.91
	52°F	19540	19149	19053	18977	18806	1.84	1.86	1.86	1.86	1.87
	57°F	18563	18192	18101	18028	17866	1.80	1.82	1.82	1.83	1.83
59°F	17635	17282	17196	17127	16973	1.77	1.78	1.79	1.79	1.80	
62°F	16753	16418	16336	16271	16124	1.73	1.75	1.75	1.75	1.76	
64.4°F	15915	15597	15519	15457	15318	1.70	1.71	1.72	1.72	1.73	

18MPHP-HH-SYS Expanded Heating @ 577 CFM

CFM	HEATING PERFORMANCE AT INDOOR DRY BULB TEMPERATURE										
	ODDB	TC: Total Heating Capacity(BTU/hr)					PI: Power Input(kW)				
		Indoor Conditions (DB °F)					Indoor Conditions (DB °F)				
		60.8°F	68°F	70°F	71.6°F	75.2°F	60.8°F	68°F	70°F	71.6°F	75.2°F
577	-22°F	11071	10850	10796	10752	10656	1.97	1.99	1.99	2.00	2.00
	-13°F	13867	13590	13522	13468	13346	2.15	2.17	2.17	2.17	2.18
	-4°F	14717	14423	14351	14293	14165	2.20	2.22	2.23	2.23	2.24
	0°F	16418	16090	16009	15945	15802	2.31	2.33	2.34	2.34	2.35
	5°F	17612	17260	17174	17105	16951	2.40	2.42	2.42	2.43	2.44
	14°F	19105	18723	18630	18555	18388	2.50	2.52	2.53	2.54	2.55
	17°F	21289	20863	20759	20676	20489	2.67	2.69	2.70	2.71	2.72
	22°F	22017	21576	21468	21382	21190	2.73	2.75	2.76	2.76	2.77
	27°F	22245	21800	21691	21604	21410	2.55	2.57	2.58	2.58	2.59
	32°F	22473	22024	21914	21826	21630	2.38	2.40	2.40	2.41	2.41
	35°F	22702	22248	22136	22048	21850	2.20	2.22	2.22	2.23	2.24
	37°F	22839	22382	22270	22181	21981	2.09	2.11	2.12	2.12	2.13
	42°F	22198	21754	21645	21559	21365	2.00	2.01	2.02	2.02	2.03
	44.6°F	22015	21574	21467	21381	21188	1.97	1.99	1.99	2.00	2.00
	47°F	21740	21305	21199	21114	20924	1.90	1.91	1.92	1.92	1.93
	52°F	20653	20240	20139	20058	19878	1.86	1.87	1.88	1.88	1.89
	57°F	19620	19228	19132	19055	18884	1.82	1.84	1.84	1.84	1.85
59°F	18639	18267	18175	18103	17940	1.79	1.80	1.80	1.81	1.82	
62°F	17707	17353	17267	17197	17043	1.75	1.76	1.77	1.77	1.78	
64.4°F	16822	16486	16403	16338	16191	1.72	1.73	1.73	1.74	1.74	

18MPHP-HH-SYS Expanded Heating @ 618 CFM

CFM	HEATING PERFORMANCE AT INDOOR DRY BULB TEMPERATURE										
	ODDB	TC: Total Heating Capacity(BTU/hr)					PI: Power Input(kW)				
		Indoor Conditions (DB °F)					Indoor Conditions (DB °F)				
		60.8°F	68°F	70°F	71.6°F	75.2°F	60.8°F	68°F	70°F	71.6°F	75.2°F
618	-22°F	11513	11282	11226	11181	11080	1.99	2.01	2.01	2.02	2.02
	-13°F	14420	14131	14061	14005	13878	2.17	2.19	2.19	2.20	2.21
	-4°F	15304	14998	14923	14863	14729	2.23	2.24	2.25	2.25	2.26
	0°F	17072	16731	16647	16581	16431	2.34	2.35	2.36	2.36	2.37
	5°F	18314	17948	17858	17787	17627	2.42	2.44	2.45	2.45	2.46
	14°F	19867	19469	19372	19295	19121	2.53	2.55	2.56	2.56	2.57
	17°F	22137	21695	21586	21500	21306	2.70	2.72	2.73	2.73	2.74
	22°F	22894	22436	22324	22235	22035	2.76	2.78	2.78	2.79	2.80
	27°F	23132	22669	22556	22465	22263	2.58	2.60	2.60	2.61	2.62
	32°F	23369	22902	22787	22696	22492	2.40	2.42	2.42	2.43	2.44
	35°F	23607	23135	23019	22927	22720	2.22	2.24	2.24	2.25	2.26
	37°F	23749	23274	23158	23065	22858	2.12	2.13	2.14	2.14	2.15
	42°F	23083	22621	22508	22418	22216	2.02	2.04	2.04	2.04	2.05
	44.6°F	22892	22434	22322	22233	22033	1.99	2.01	2.01	2.02	2.02
	47°F	22607	22155	22044	21956	21758	1.92	1.93	1.94	1.94	1.95
	52°F	21476	21047	20942	20858	20670	1.88	1.89	1.90	1.90	1.91
	57°F	20403	19994	19894	19815	19637	1.84	1.86	1.86	1.86	1.87
59°F	19382	18995	18900	18824	18655	1.80	1.82	1.82	1.83	1.83	
62°F	18413	18045	17955	17883	17722	1.77	1.78	1.79	1.79	1.80	
64.4°F	17493	17143	17057	16989	16836	1.73	1.75	1.75	1.75	1.76	

24MPHP-HH-SYS Expanded Cooling @ 645 CFM

CFM	ODDB	ID WB(°F)	60.8°F					67.0°F					71.6°F				
		ID DB(°F)	73.4°F	77.0°F	80.0°F	80.6°F	84.2°F	73.4°F	77.0°F	80.0°F	80.6°F	84.2°F	73.4°F	77.0°F	80.0°F	80.6°F	84.2°F
645	50°F	TC	22919	22950	22975	22976	23007	25752	25785	25814	25819	25848	27304	27333	27363	27367	27401
		S/T	0.43	0.51	0.58	0.58	0.66	0.49	0.57	0.65	0.65	0.74	0.51	0.60	0.69	0.69	0.78
		PI	1.22	1.23	1.23	1.23	1.23	1.38	1.38	1.38	1.38	1.38	1.46	1.46	1.46	1.46	1.46
	59°F	TC	22409	22439	22463	22464	22495	25179	25212	25240	25244	25273	26696	26725	26754	26758	26792
		S/T	0.43	0.51	0.58	0.58	0.66	0.49	0.57	0.65	0.65	0.74	0.52	0.61	0.69	0.69	0.79
		PI	1.28	1.29	1.29	1.29	1.29	1.44	1.44	1.45	1.45	1.45	1.53	1.53	1.53	1.53	1.54
	68°F	TC	21899	21928	21952	21953	21983	24606	24638	24665	24670	24697	26088	26117	26145	26149	26182
		S/T	0.44	0.51	0.58	0.58	0.66	0.49	0.58	0.65	0.65	0.74	0.52	0.61	0.69	0.69	0.79
		PI	1.34	1.35	1.35	1.35	1.35	1.51	1.51	1.51	1.51	1.52	1.60	1.60	1.61	1.61	1.61
	77°F	TC	21389	21418	21441	21442	21470	24033	24064	24091	24095	24122	25481	25508	25536	25540	25572
		S/T	0.45	0.53	0.60	0.60	0.68	0.50	0.59	0.67	0.67	0.76	0.53	0.63	0.71	0.71	0.81
		PI	1.40	1.41	1.41	1.41	1.41	1.58	1.58	1.58	1.58	1.58	1.67	1.68	1.68	1.68	1.68
	80°F	TC	21215	21244	21267	21268	21296	23838	23869	23895	23900	23926	25274	25302	25329	25333	25365
		S/T	0.45	0.53	0.60	0.60	0.69	0.51	0.60	0.68	0.68	0.77	0.54	0.63	0.72	0.72	0.82
		PI	1.42	1.43	1.43	1.43	1.43	1.60	1.60	1.60	1.61	1.61	1.70	1.70	1.70	1.70	1.70
	86°F	TC	20991	21019	21042	21043	21071	23586	23617	23643	23647	23674	25007	25034	25062	25065	25097
		S/T	0.46	0.54	0.61	0.61	0.70	0.52	0.61	0.69	0.69	0.78	0.55	0.64	0.73	0.73	0.83
		PI	1.61	1.62	1.62	1.62	1.62	1.81	1.81	1.82	1.82	1.82	1.92	1.92	1.93	1.93	1.93
	95°F	TC	20652	20679	20702	20703	20731	23204	23235	23260	23265	23291	24603	24629	24656	24660	24691
		S/T	0.47	0.55	0.62	0.62	0.71	0.52	0.61	0.70	0.70	0.79	0.55	0.65	0.74	0.74	0.84
		PI	1.90	1.90	1.90	1.90	1.90	2.13	2.13	2.14	2.14	2.14	2.26	2.26	2.27	2.27	2.27
	104°F	TC	18236	18261	18280	18281	18306	20490	20517	20540	20544	20567	21725	21749	21772	21776	21803
		S/T	0.49	0.57	0.65	0.65	0.74	0.55	0.64	0.73	0.73	0.83	0.58	0.68	0.78	0.78	0.88
		PI	1.89	1.89	1.90	1.90	1.90	2.13	2.13	2.13	2.13	2.13	2.25	2.26	2.26	2.26	2.26
	110°F	TC	16787	16810	16828	16828	16851	18862	18887	18908	18911	18932	19999	20020	20042	20045	20070
		S/T	0.49	0.58	0.66	0.66	0.75	0.56	0.65	0.74	0.74	0.84	0.59	0.69	0.79	0.79	0.89
		PI	1.89	1.89	1.89	1.89	1.90	2.12	2.12	2.13	2.13	2.13	2.25	2.25	2.25	2.25	2.26
	115°F	TC	16038	16060	16077	16078	16099	18021	18044	18064	18067	18088	19106	19127	19148	19151	19175
		S/T	0.49	0.58	0.66	0.66	0.75	0.56	0.65	0.74	0.74	0.84	0.59	0.69	0.79	0.79	0.89
		PI	1.91	1.91	1.91	1.91	1.92	2.15	2.15	2.15	2.15	2.15	2.27	2.28	2.28	2.28	2.28
122°F	TC	12771	12788	12802	12802	12820	14350	14368	14384	14387	14403	15214	15231	15247	15250	15269	
	S/T	0.51	0.60	0.68	0.68	0.78	0.58	0.67	0.77	0.77	0.87	0.61	0.72	0.81	0.81	0.93	
	PI	1.63	1.63	1.63	1.63	1.63	1.83	1.83	1.83	1.83	1.84	1.94	1.94	1.94	1.94	1.95	

TC:Total Cooling Capacity (BTU/hr)

S/T:Sensible Cooling Capacity Ratio

PI:Power Input(kW)

24MPHP-HH-SYS Expanded Cooling @ 707 CFM

CFM	ODDB	ID WB(°F)	60.8°F					67.0°F					71.6°F				
		ID DB(°F)	73.4°F	77.0°F	80.0°F	80.6°F	84.2°F	73.4°F	77.0°F	80.0°F	80.6°F	84.2°F	73.4°F	77.0°F	80.0°F	80.6°F	84.2°F
707	50°F	TC	24835	24868	24895	24896	24930	27905	27941	27972	27977	28008	29586	29618	29650	29655	29692
		S/T	0.46	0.54	0.62	0.62	0.70	0.52	0.61	0.69	0.69	0.79	0.55	0.65	0.73	0.73	0.84
		PI	1.31	1.31	1.31	1.31	1.31	1.47	1.47	1.47	1.47	1.47	1.55	1.56	1.56	1.56	1.56
	59°F	TC	24282	24315	24341	24342	24375	27284	27319	27349	27355	27385	28927	28959	28990	28995	29031
		S/T	0.46	0.55	0.62	0.62	0.71	0.52	0.61	0.70	0.70	0.79	0.55	0.65	0.74	0.74	0.84
		PI	1.37	1.37	1.37	1.37	1.37	1.54	1.54	1.54	1.54	1.54	1.63	1.63	1.63	1.63	1.64
	68°F	TC	23729	23761	23787	23788	23820	26663	26697	26727	26732	26762	28269	28300	28331	28335	28370
		S/T	0.47	0.55	0.62	0.62	0.71	0.53	0.62	0.70	0.70	0.80	0.56	0.65	0.74	0.74	0.85
		PI	1.43	1.44	1.44	1.44	1.44	1.61	1.61	1.61	1.61	1.62	1.71	1.71	1.71	1.71	1.71
	77°F	TC	23177	23208	23233	23234	23265	26042	26075	26104	26109	26138	27611	27641	27671	27675	27709
		S/T	0.48	0.56	0.64	0.64	0.73	0.54	0.63	0.72	0.72	0.82	0.57	0.67	0.76	0.76	0.87
		PI	1.50	1.50	1.50	1.50	1.50	1.68	1.68	1.69	1.69	1.69	1.78	1.79	1.79	1.79	1.79
	80°F	TC	22989	23020	23044	23046	23077	25830	25864	25893	25898	25927	27387	27417	27446	27451	27485
		S/T	0.49	0.57	0.65	0.65	0.74	0.55	0.64	0.73	0.73	0.83	0.58	0.68	0.77	0.77	0.88
		PI	1.52	1.52	1.52	1.52	1.52	1.71	1.71	1.71	1.71	1.71	1.81	1.81	1.81	1.81	1.82
	86°F	TC	22746	22777	22801	22802	22833	25558	25591	25619	25624	25653	27097	27127	27156	27161	27194
		S/T	0.49	0.58	0.66	0.66	0.75	0.55	0.65	0.74	0.74	0.84	0.59	0.69	0.78	0.78	0.89
		PI	1.72	1.72	1.72	1.72	1.73	1.93	1.93	1.94	1.94	1.94	2.05	2.05	2.05	2.05	2.06
	95°F	TC	22378	22408	22432	22433	22463	25144	25177	25205	25210	25238	26659	26688	26717	26721	26755
		S/T	0.50	0.58	0.66	0.66	0.76	0.56	0.66	0.75	0.75	0.85	0.59	0.70	0.79	0.79	0.90
		PI	2.02	2.03	2.03	2.03	2.03	2.27	2.28	2.28	2.28	2.28	2.41	2.41	2.42	2.42	2.42
	104°F	TC	19761	19787	19809	19809	19836	22203	22232	22257	22261	22286	23541	23567	23592	23596	23625
		S/T	0.52	0.61	0.70	0.70	0.80	0.59	0.69	0.78	0.78	0.89	0.62	0.73	0.83	0.83	0.95
		PI	2.02	2.02	2.02	2.02	2.02	2.27	2.27	2.27	2.27	2.27	2.40	2.41	2.41	2.41	2.41
	110°F	TC	18190	18215	18234	18235	18260	20439	20465	20488	20492	20515	21670	21694	21717	21721	21748
		S/T	0.53	0.62	0.71	0.71	0.80	0.60	0.70	0.79	0.79	0.90	0.63	0.74	0.84	0.84	0.96
		PI	2.01	2.02	2.02	2.02	2.02	2.26	2.26	2.27	2.27	2.27	2.40	2.40	2.40	2.40	2.41
115°F	TC	17379	17402	17421	17422	17445	19527	19552	19574	19578	19600	20703	20726	20749	20752	20778	
	S/T	0.53	0.62	0.71	0.71	0.80	0.60	0.70	0.79	0.79	0.90	0.63	0.74	0.84	0.84	0.96	
	PI	2.04	2.04	2.04	2.04	2.04	2.29	2.29	2.29	2.29	2.30	2.42	2.43	2.43	2.43	2.43	
122°F	TC	13839	13857	13872	13873	13891	15549	15569	15587	15590	15607	16486	16504	16522	16524	16545	
	S/T	0.55	0.64	0.73	0.73	0.83	0.62	0.72	0.82	0.82	0.94	0.65	0.77	0.87	0.87	0.99	
	PI	1.73	1.74	1.74	1.74	1.74	1.95	1.95	1.95	1.95	1.96	2.07	2.07	2.07	2.07	2.07	

TC:Total Cooling Capacity (BTU/hr)

S/T:Sensible Cooling Capacity Ratio

PI:Power Input(kW)

24MPHP-HH-SYS Expanded Cooling @ 765 CFM

CFM	ODDB	ID WB(°F)	60.8°F					67.0°F					71.6°F				
		ID DB(°F)	73.4°F	77.0°F	80.0°F	80.6°F	84.2°F	73.4°F	77.0°F	80.0°F	80.6°F	84.2°F	73.4°F	77.0°F	80.0°F	80.6°F	84.2°F
765	50°F	TC	26606	26642	26671	26672	26708	29895	29934	29967	29973	30006	31696	31731	31765	31770	31810
		S/T	0.50	0.58	0.66	0.66	0.75	0.56	0.65	0.74	0.74	0.85	0.59	0.69	0.79	0.79	0.90
		PI	1.40	1.40	1.40	1.40	1.40	1.57	1.57	1.57	1.58	1.58	1.67	1.67	1.67	1.67	1.67
	59°F	TC	26014	26049	26077	26078	26113	29230	29268	29300	29306	29338	30991	31024	31058	31063	31102
		S/T	0.50	0.58	0.66	0.66	0.76	0.56	0.66	0.75	0.75	0.85	0.59	0.70	0.79	0.79	0.90
		PI	1.47	1.47	1.47	1.47	1.47	1.65	1.65	1.65	1.65	1.65	1.75	1.75	1.75	1.75	1.75
	68°F	TC	25422	25456	25483	25485	25519	28564	28601	28633	28639	28671	30285	30318	30351	30356	30394
		S/T	0.50	0.59	0.67	0.67	0.76	0.56	0.66	0.75	0.75	0.86	0.60	0.70	0.80	0.80	0.91
		PI	1.54	1.54	1.54	1.54	1.54	1.73	1.73	1.73	1.73	1.73	1.83	1.83	1.83	1.83	1.84
	77°F	TC	24830	24863	24890	24891	24925	27899	27935	27966	27972	28003	29580	29612	29644	29649	29686
		S/T	0.51	0.60	0.69	0.69	0.78	0.58	0.68	0.77	0.77	0.88	0.61	0.72	0.82	0.82	0.93
		PI	1.60	1.61	1.61	1.61	1.61	1.80	1.80	1.81	1.81	1.81	1.91	1.91	1.92	1.92	1.92
	80°F	TC	24628	24662	24688	24689	24723	27673	27709	27740	27745	27776	29340	29372	29404	29409	29445
		S/T	0.52	0.61	0.69	0.69	0.79	0.59	0.69	0.78	0.78	0.89	0.62	0.73	0.83	0.83	0.94
		PI	1.63	1.63	1.63	1.63	1.63	1.83	1.83	1.83	1.83	1.84	1.94	1.94	1.94	1.94	1.95
	86°F	TC	24368	24401	24427	24428	24461	27380	27416	27447	27452	27482	29030	29062	29093	29098	29134
		S/T	0.53	0.62	0.70	0.70	0.80	0.59	0.70	0.79	0.79	0.90	0.63	0.74	0.84	0.84	0.95
		PI	1.84	1.84	1.85	1.85	1.85	2.07	2.07	2.07	2.08	2.08	2.19	2.20	2.20	2.20	2.20
	95°F	TC	23974	24006	24032	24033	24066	26938	26973	27003	27008	27038	28561	28592	28623	28627	28663
		S/T	0.53	0.63	0.71	0.71	0.81	0.60	0.70	0.80	0.80	0.91	0.64	0.75	0.85	0.85	0.97
		PI	2.17	2.17	2.17	2.17	2.18	2.44	2.44	2.44	2.44	2.44	2.58	2.58	2.59	2.59	2.59
	104°F	TC	21170	21199	21221	21222	21251	23787	23818	23844	23849	23875	25220	25248	25275	25279	25310
		S/T	0.56	0.66	0.75	0.75	0.85	0.63	0.74	0.84	0.84	0.96	0.67	0.78	0.89	0.89	1.00
		PI	2.16	2.16	2.17	2.17	2.17	2.43	2.43	2.43	2.43	2.44	2.57	2.58	2.58	2.58	2.58
	110°F	TC	19488	19514	19535	19536	19562	21897	21925	21949	21953	21978	23216	23241	23266	23270	23299
		S/T	0.57	0.67	0.76	0.76	0.86	0.64	0.75	0.85	0.85	0.97	0.68	0.79	0.90	0.90	1.00
		PI	2.16	2.16	2.16	2.16	2.16	2.42	2.43	2.43	2.43	2.43	2.57	2.57	2.57	2.58	2.58
	115°F	TC	18618	18643	18663	18664	18689	20920	20947	20970	20974	20997	22180	22204	22228	22232	22260
		S/T	0.57	0.67	0.76	0.76	0.86	0.64	0.75	0.85	0.85	0.97	0.68	0.79	0.90	0.90	1.00
		PI	2.18	2.18	2.19	2.19	2.19	2.45	2.45	2.46	2.46	2.46	2.60	2.60	2.60	2.60	2.61
122°F	TC	14826	14845	14861	14862	14882	16658	16680	16698	16701	16720	17662	17681	17700	17703	17725	
	S/T	0.59	0.69	0.78	0.78	0.89	0.66	0.77	0.88	0.88	1.00	0.70	0.82	0.93	0.93	1.00	
	PI	1.86	1.86	1.86	1.86	1.87	2.09	2.09	2.09	2.09	2.10	2.21	2.22	2.22	2.22	2.22	

TC:Total Cooling Capacity (BTU/hr)

S/T:Sensible Cooling Capacity Ratio

PI:Power Input(kW)

24MPHP-HH-SYS Expanded Cooling @ 825 CFM

CFM	ODDB	ID WB(°F)	60.8°F					67.0°F					71.6°F				
		ID DB(°F)	73.4°F	77.0°F	80.0°F	80.6°F	84.2°F	73.4°F	77.0°F	80.0°F	80.6°F	84.2°F	73.4°F	77.0°F	80.0°F	80.6°F	84.2°F
825	50°F	TC	28409	28447	28478	28479	28517	31920	31962	31997	32003	32039	33844	33880	33917	33923	33965
		S/T	0.53	0.62	0.71	0.71	0.80	0.59	0.70	0.79	0.79	0.90	0.63	0.74	0.84	0.84	0.96
		PI	1.49	1.49	1.50	1.50	1.50	1.68	1.68	1.68	1.68	1.68	1.78	1.78	1.78	1.78	1.78
	59°F	TC	27777	27814	27844	27845	27883	31210	31251	31285	31291	31326	33090	33126	33162	33168	33209
		S/T	0.53	0.62	0.71	0.71	0.81	0.60	0.70	0.80	0.80	0.91	0.63	0.74	0.84	0.84	0.96
		PI	1.57	1.57	1.57	1.57	1.57	1.76	1.76	1.76	1.76	1.77	1.87	1.87	1.87	1.87	1.87
	68°F	TC	27144	27181	27210	27211	27248	30500	30539	30573	30579	30613	32337	32372	32408	32413	32453
		S/T	0.53	0.63	0.71	0.71	0.81	0.60	0.70	0.80	0.80	0.91	0.64	0.75	0.85	0.85	0.97
		PI	1.64	1.64	1.64	1.64	1.65	1.84	1.84	1.85	1.85	1.85	1.95	1.96	1.96	1.96	1.96
	77°F	TC	26512	26548	26576	26577	26613	29789	29828	29861	29867	29900	31584	31618	31653	31658	31697
		S/T	0.55	0.64	0.73	0.73	0.83	0.62	0.72	0.82	0.82	0.94	0.65	0.77	0.87	0.87	0.99
		PI	1.71	1.72	1.72	1.72	1.72	1.92	1.93	1.93	1.93	1.93	2.04	2.04	2.04	2.05	2.05
	80°F	TC	26297	26332	26361	26362	26398	29548	29586	29619	29625	29658	31328	31362	31396	31401	31440
		S/T	0.56	0.65	0.74	0.74	0.85	0.62	0.73	0.83	0.83	0.95	0.66	0.78	0.88	0.88	1.00
		PI	1.74	1.74	1.74	1.74	1.74	1.95	1.96	1.96	1.96	1.96	2.07	2.07	2.07	2.07	2.08
	86°F	TC	26019	26054	26082	26084	26119	29236	29274	29306	29312	29344	30997	31031	31065	31069	31108
		S/T	0.56	0.66	0.75	0.75	0.86	0.63	0.74	0.84	0.84	0.96	0.67	0.79	0.89	0.89	1.00
		PI	1.97	1.97	1.97	1.97	1.97	2.21	2.21	2.22	2.22	2.22	2.34	2.35	2.35	2.35	2.35
	95°F	TC	25598	25633	25660	25662	25696	28763	28800	28832	28837	28870	30496	30529	30562	30567	30605
		S/T	0.57	0.67	0.76	0.76	0.87	0.64	0.75	0.85	0.85	0.97	0.68	0.80	0.91	0.91	1.00
		PI	2.31	2.32	2.32	2.32	2.32	2.60	2.60	2.61	2.61	2.61	2.76	2.76	2.76	2.76	2.77
	104°F	TC	22604	22635	22659	22660	22691	25399	25432	25460	25465	25493	26929	26958	26987	26992	27025
		S/T	0.60	0.70	0.80	0.80	0.91	0.67	0.79	0.90	0.90	1.00	0.71	0.84	0.95	0.95	1.00
		PI	2.31	2.31	2.31	2.31	2.32	2.59	2.60	2.60	2.60	2.60	2.75	2.75	2.75	2.75	2.76
	110°F	TC	20808	20836	20858	20859	20888	23380	23410	23437	23441	23467	24789	24816	24843	24847	24878
		S/T	0.61	0.71	0.81	0.81	0.92	0.68	0.80	0.91	0.91	1.00	0.72	0.85	0.96	0.96	1.00
		PI	2.30	2.31	2.31	2.31	2.31	2.59	2.59	2.59	2.59	2.60	2.74	2.75	2.75	2.75	2.75
115°F	TC	19880	19906	19928	19929	19956	22337	22366	22391	22395	22420	23683	23709	23734	23738	23768	
	S/T	0.61	0.71	0.81	0.81	0.92	0.68	0.80	0.91	0.91	1.00	0.72	0.85	0.96	0.96	1.00	
	PI	2.33	2.33	2.33	2.33	2.34	2.62	2.62	2.62	2.62	2.63	2.77	2.78	2.78	2.78	2.78	
122°F	TC	15830	15851	15868	15869	15890	17787	17810	17830	17833	17853	18858	18879	18899	18902	18926	
	S/T	0.63	0.74	0.84	0.84	0.95	0.70	0.83	0.94	0.94	1.00	0.75	0.88	1.00	1.00	1.00	
	PI	1.98	1.99	1.99	1.99	1.99	2.23	2.23	2.23	2.24	2.24	2.36	2.37	2.37	2.37	2.37	

TC:Total Cooling Capacity (BTU/hr)

S/T:Sensible Cooling Capacity Ratio

PI:Power Input(kW)

24MPHP-HH-SYS Expanded Heating @ 646 CFM

CFM	HEATING PERFORMANCE AT INDOOR DRY BULB TEMPERATURE										
	OD DB (°F)	TC: Total Heating Capacity(BTU/hr)					PI: Power Input(kW)				
		Indoor Conditions (DB °F)					Indoor Conditions (DB °F)				
		60.8°F	68°F	70°F	71.6°F	75.2°F	60.8°F	68°F	70°F	71.6°F	75.2°F
646	-22°F	12265	12020	11960	12010	11902	2.73	2.75	2.76	2.77	2.78
	-13°F	16262	15937	15857	15615	15475	3.16	3.18	3.19	3.19	3.21
	-4°F	17181	16837	16753	16497	16349	3.19	3.22	3.22	3.23	3.24
	0°F	19018	18637	18544	18261	18096	3.26	3.29	3.29	3.30	3.31
	5°F	20507	20097	19997	19691	19514	3.39	3.42	3.43	3.43	3.45
	14°F	22369	21922	21812	21479	21286	3.56	3.59	3.60	3.60	3.62
	17°F	22588	22136	22025	21689	21494	3.36	3.38	3.39	3.40	3.41
	22°F	22661	22208	22096	21759	21563	3.29	3.31	3.32	3.33	3.34
	27°F	24823	24326	24205	23835	23621	3.23	3.26	3.27	3.27	3.29
	32°F	26985	26445	26313	25911	25678	3.18	3.21	3.21	3.22	3.23
	35°F	29147	28564	28422	27987	27736	3.13	3.15	3.16	3.17	3.18
	37°F	30445	29836	29687	29233	28970	3.10	3.12	3.13	3.13	3.15
	42°F	29984	29384	29238	28791	28532	2.96	2.99	2.99	3.00	3.01
	44.6°F	29853	29256	29109	28665	28407	2.92	2.95	2.95	2.96	2.97
	47°F	29655	29062	28917	28475	28219	2.82	2.84	2.85	2.85	2.86
	52°F	28172	27609	27471	27051	26808	2.76	2.78	2.79	2.79	2.81
	57°F	26764	26229	26097	25699	25467	2.71	2.73	2.73	2.74	2.75
59°F	25426	24917	24793	24414	24194	2.65	2.67	2.68	2.68	2.69	
62°F	24154	23671	23553	23193	22984	2.60	2.62	2.63	2.63	2.64	
64.4°F	22947	22488	22375	22033	21835	2.55	2.57	2.57	2.58	2.59	

24MPHP-HH-SYS Expanded Heating @ 707 CFM

CFM	HEATING PERFORMANCE AT INDOOR DRY BULB TEMPERATURE										
	OD DB (°F)	TC: Total Heating Capacity(BTU/hr)					PI: Power Input(kW)				
		Indoor Conditions (DB °F)					Indoor Conditions (DB °F)				
		60.8°F	68°F	70°F	71.6°F	75.2°F	60.8°F	68°F	70°F	71.6°F	75.2°F
707	-22°F	13140	12877	12813	12762	12647	2.76	2.78	2.79	2.79	2.80
	-13°F	17084	16742	16659	16592	16443	3.19	3.21	3.22	3.23	3.24
	-4°F	18049	17688	17599	17529	17371	3.22	3.25	3.26	3.26	3.28
	0°F	19978	19579	19481	19403	19228	3.29	3.32	3.33	3.33	3.35
	5°F	21543	21112	21007	20923	20734	3.43	3.45	3.46	3.47	3.48
	14°F	23499	23029	22914	22822	22617	3.60	3.63	3.63	3.64	3.65
	17°F	23729	23254	23138	23046	22838	3.39	3.42	3.42	3.43	3.44
	22°F	23806	23329	23213	23120	22912	3.32	3.35	3.35	3.36	3.37
	27°F	26077	25555	25428	25326	25098	3.27	3.29	3.30	3.31	3.32
	32°F	28348	27782	27643	27532	27284	3.21	3.24	3.25	3.25	3.27
	35°F	30620	30008	29858	29738	29470	3.16	3.19	3.19	3.20	3.21
	37°F	31983	31343	31186	31062	30782	3.13	3.15	3.16	3.17	3.18
	42°F	31499	30869	30715	30592	30317	2.99	3.02	3.02	3.03	3.04
	44.6°F	31361	30734	30580	30458	30183	2.95	2.98	2.98	2.99	3.00
	47°F	31153	30530	30378	30256	29984	2.85	2.87	2.87	2.88	2.89
	52°F	29596	29004	28859	28743	28485	2.79	2.81	2.82	2.82	2.83
	57°F	28116	27554	27416	27306	27060	2.73	2.76	2.76	2.77	2.78
59°F	26710	26176	26045	25941	25707	2.68	2.70	2.71	2.71	2.72	
62°F	25375	24867	24743	24644	24422	2.63	2.65	2.65	2.66	2.67	
64.4°F	24106	23624	23506	23412	23201	2.57	2.59	2.60	2.60	2.61	

24MPHP-HH-SYS Expanded Heating @ 765 CFM

CFM	HEATING PERFORMANCE AT INDOOR DRY BULB TEMPERATURE										
	OD DB (°F)	TC: Total Heating Capacity(BTU/hr)					PI: Power Input(kW)				
		Indoor Conditions (DB °F)					Indoor Conditions (DB °F)				
		60.8°F	68°F	70°F	71.6°F	75.2°F	60.8°F	68°F	70°F	71.6°F	75.2°F
765	-22°F	13804	13528	13460	13406	13286	2.79	2.81	2.82	2.82	2.83
	-13°F	17947	17588	17500	17430	17273	3.22	3.25	3.25	3.26	3.27
	-4°F	18961	18581	18488	18415	18249	3.26	3.28	3.29	3.29	3.31
	0°F	20988	20568	20465	20383	20200	3.33	3.35	3.36	3.37	3.38
	5°F	22632	22179	22068	21980	21782	3.46	3.49	3.50	3.50	3.52
	14°F	24686	24193	24072	23975	23760	3.63	3.66	3.67	3.68	3.69
	17°F	24928	24429	24307	24210	23992	3.42	3.45	3.46	3.47	3.48
	22°F	25008	24508	24386	24288	24069	3.35	3.38	3.39	3.39	3.41
	27°F	27394	26847	26712	26606	26366	3.30	3.33	3.33	3.34	3.35
	32°F	29781	29185	29039	28923	28663	3.25	3.27	3.28	3.29	3.30
	35°F	32167	31524	31366	31240	30959	3.19	3.22	3.22	3.23	3.24
	37°F	33599	32927	32762	32631	32337	3.16	3.19	3.19	3.20	3.21
	42°F	33090	32429	32266	32137	31848	3.02	3.05	3.05	3.06	3.07
	44.6°F	32945	32286	32125	31996	31708	2.98	3.01	3.01	3.02	3.03
	47°F	32727	32073	31912	31785	31499	2.87	2.90	2.90	2.91	2.92
	52°F	31091	30469	30317	30196	29924	2.82	2.84	2.85	2.85	2.86
	57°F	29536	28946	28801	28686	28428	2.76	2.78	2.79	2.79	2.81
	59°F	28060	27498	27361	27251	27006	2.71	2.73	2.73	2.74	2.75
62°F	26657	26123	25993	25889	25656	2.65	2.67	2.68	2.68	2.69	
64.4°F	25324	24817	24693	24594	24373	2.60	2.62	2.62	2.63	2.64	

24MPHP-HH-SYS Expanded Heating @ 825 CFM

CFM	HEATING PERFORMANCE AT INDOOR DRY BULB TEMPERATURE										
	OD DB (°F)	TC: Total Heating Capacity(BTU/hr)					PI: Power Input(kW)				
		Indoor Conditions (DB °F)					Indoor Conditions (DB °F)				
		60.8°F	68°F	70°F	71.6°F	75.2°F	60.8°F	68°F	70°F	71.6°F	75.2°F
825	-22°F	14453	14164	14093	14037	13911	2.82	2.84	2.84	2.85	2.86
	-13°F	18791	18415	18323	18250	18085	3.25	3.28	3.29	3.29	3.31
	-4°F	19852	19455	19358	19280	19107	3.29	3.31	3.32	3.33	3.34
	0°F	21975	21535	21427	21342	21150	3.36	3.39	3.39	3.40	3.41
	5°F	23696	23222	23106	23013	22806	3.50	3.53	3.53	3.54	3.55
	14°F	25847	25330	25204	25103	24877	3.67	3.70	3.71	3.71	3.73
	17°F	26100	25578	25450	25348	25120	3.46	3.49	3.49	3.50	3.51
	22°F	26184	25660	25532	25430	25201	3.39	3.42	3.42	3.43	3.44
	27°F	28683	28109	27968	27857	27606	3.33	3.36	3.37	3.37	3.39
	32°F	31181	30557	30405	30283	30010	3.28	3.31	3.31	3.32	3.33
	35°F	33679	33006	32841	32709	32415	3.22	3.25	3.26	3.26	3.28
	37°F	35178	34475	34303	34165	33858	3.19	3.22	3.22	3.23	3.24
	42°F	34646	33953	33784	33648	33346	3.05	3.08	3.08	3.09	3.10
	44.6°F	34494	33804	33635	33501	33199	3.01	3.04	3.04	3.05	3.06
	47°F	34266	33581	33413	33279	32980	2.90	2.93	2.93	2.94	2.95
	52°F	32553	31902	31742	31615	31331	2.85	2.87	2.87	2.88	2.89
	57°F	30925	30307	30155	30035	29764	2.79	2.81	2.82	2.82	2.83
	59°F	29379	28791	28647	28533	28276	2.73	2.76	2.76	2.77	2.78
62°F	27910	27352	27215	27106	26862	2.68	2.70	2.71	2.71	2.72	
64.4°F	26515	25984	25854	25751	25519	2.62	2.65	2.65	2.66	2.67	

30MPHP-HH-SYS Expanded Cooling @ 712 CFM

CFM	ODDB	ID WB(°F)	60.8°F					67.0°F					71.6°F				
		ID DB(°F)	73.4°F	77.0°F	80.0°F	80.6°F	84.2°F	73.4°F	77.0°F	80.0°F	80.6°F	84.2°F	73.4°F	77.0°F	80.0°F	80.6°F	84.2°F
712	50°F	TC	26108	26143	26171	26172	26208	29335	29373	29406	29411	29444	31103	31136	31170	31175	31214
		S/T	0.41	0.48	0.54	0.54	0.62	0.46	0.54	0.61	0.61	0.69	0.48	0.57	0.64	0.64	0.73
		PI	1.02	1.02	1.02	1.02	1.02	1.15	1.15	1.15	1.15	1.15	1.21	1.22	1.22	1.22	1.22
	59°F	TC	26234	26269	26297	26299	26334	29477	29515	29548	29553	29586	31253	31287	31321	31325	31364
		S/T	0.41	0.48	0.54	0.54	0.62	0.46	0.54	0.61	0.61	0.70	0.49	0.57	0.65	0.65	0.74
		PI	1.15	1.15	1.15	1.15	1.15	1.29	1.29	1.29	1.29	1.29	1.37	1.37	1.37	1.37	1.37
	68°F	TC	26360	26395	26423	26425	26460	29618	29656	29689	29695	29728	31402	31437	31471	31476	31515
		S/T	0.41	0.48	0.55	0.55	0.62	0.46	0.54	0.61	0.61	0.70	0.49	0.57	0.65	0.65	0.74
		PI	1.28	1.28	1.28	1.28	1.28	1.43	1.44	1.44	1.44	1.44	1.52	1.52	1.52	1.52	1.53
	77°F	TC	26485	26521	26550	26551	26587	29759	29798	29831	29837	29870	31552	31587	31621	31626	31665
		S/T	0.42	0.49	0.56	0.56	0.64	0.47	0.56	0.63	0.63	0.72	0.50	0.59	0.67	0.67	0.76
		PI	1.40	1.41	1.41	1.41	1.41	1.58	1.58	1.58	1.58	1.58	1.67	1.67	1.68	1.68	1.68
	80°F	TC	26528	26564	26592	26594	26630	29807	29846	29879	29885	29918	31603	31638	31672	31677	31716
		S/T	0.43	0.50	0.57	0.57	0.65	0.48	0.56	0.64	0.64	0.73	0.51	0.60	0.68	0.68	0.77
		PI	1.45	1.45	1.45	1.45	1.45	1.63	1.63	1.63	1.63	1.63	1.72	1.73	1.73	1.73	1.73
	86°F	TC	25861	25895	25923	25924	25959	29057	29095	29127	29133	29165	30808	30841	30875	30880	30918
		S/T	0.43	0.51	0.58	0.58	0.66	0.49	0.57	0.65	0.65	0.74	0.51	0.60	0.69	0.69	0.78
		PI	1.85	1.85	1.85	1.85	1.86	2.08	2.08	2.08	2.08	2.08	2.20	2.20	2.21	2.21	2.21
	95°F	TC	24849	24883	24909	24910	24944	27921	27957	27988	27993	28025	29603	29635	29667	29672	29709
		S/T	0.44	0.51	0.58	0.58	0.66	0.49	0.58	0.66	0.66	0.75	0.52	0.61	0.69	0.69	0.79
		PI	2.45	2.46	2.46	2.46	2.46	2.76	2.76	2.77	2.77	2.77	2.92	2.93	2.93	2.93	2.94
	104°F	TC	22435	22465	22490	22491	22521	25209	25241	25269	25274	25302	26727	26756	26786	26790	26823
		S/T	0.46	0.54	0.61	0.61	0.70	0.52	0.61	0.69	0.69	0.78	0.55	0.64	0.73	0.73	0.83
		PI	2.41	2.42	2.42	2.42	2.42	2.71	2.72	2.72	2.72	2.72	2.88	2.88	2.88	2.88	2.89
	110°F	TC	20987	21015	21038	21039	21067	23581	23612	23638	23643	23669	25002	25029	25056	25060	25092
		S/T	0.46	0.55	0.62	0.62	0.71	0.52	0.61	0.70	0.70	0.79	0.55	0.65	0.74	0.74	0.84
		PI	2.39	2.39	2.39	2.39	2.40	2.68	2.69	2.69	2.69	2.69	2.85	2.85	2.85	2.85	2.86
115°F	TC	18743	18768	18788	18789	18814	21059	21087	21110	21114	21138	22328	22352	22377	22380	22408	
	S/T	0.46	0.55	0.62	0.62	0.71	0.52	0.61	0.70	0.70	0.79	0.55	0.65	0.74	0.74	0.84	
	PI	2.43	2.44	2.44	2.44	2.44	2.74	2.74	2.74	2.74	2.75	2.90	2.90	2.91	2.91	2.91	
122°F	TC	15439	15459	15476	15477	15497	17347	17369	17389	17392	17411	18392	18412	18432	18435	18458	
	S/T	0.48	0.56	0.64	0.64	0.73	0.54	0.63	0.72	0.72	0.82	0.57	0.67	0.76	0.76	0.87	
	PI	2.21	2.21	2.21	2.21	2.21	2.48	2.48	2.48	2.48	2.49	2.63	2.63	2.63	2.63	2.64	

TC:Total Cooling Capacity (BTU/hr)

S/T:Sensible Cooling Capacity Ratio

PI:Power Input(kW)

30MPHP-HH-SYS Expanded Cooling @ 802 CFM

CFM	ODDB	ID WB(°F)	60.8°F					67.0°F					71.6°F				
		ID DB(°F)	73.4°F	77.0°F	80.0°F	80.6°F	84.2°F	73.4°F	77.0°F	80.0°F	80.6°F	84.2°F	73.4°F	77.0°F	80.0°F	80.6°F	84.2°F
802	50°F	TC	29117	29156	29188	29189	29228	32716	32759	32795	32801	32838	34687	34725	34763	34768	34811
		S/T	0.45	0.53	0.60	0.60	0.68	0.50	0.59	0.67	0.67	0.77	0.53	0.63	0.71	0.71	0.81
		PI	1.12	1.12	1.12	1.12	1.12	1.26	1.26	1.26	1.26	1.26	1.33	1.34	1.34	1.34	1.34
	59°F	TC	29257	29297	29328	29329	29369	32874	32916	32953	32959	32996	34854	34892	34930	34936	34979
		S/T	0.45	0.53	0.60	0.60	0.69	0.51	0.59	0.68	0.68	0.77	0.54	0.63	0.72	0.72	0.82
		PI	1.26	1.26	1.26	1.26	1.27	1.42	1.42	1.42	1.42	1.42	1.50	1.50	1.51	1.51	1.51
	68°F	TC	29398	29437	29469	29470	29510	33031	33074	33111	33117	33154	35022	35060	35098	35103	35147
		S/T	0.45	0.53	0.60	0.60	0.69	0.51	0.60	0.68	0.68	0.77	0.54	0.63	0.72	0.72	0.82
		PI	1.40	1.40	1.41	1.41	1.41	1.58	1.58	1.58	1.58	1.58	1.67	1.67	1.67	1.68	1.68
	77°F	TC	29538	29578	29609	29611	29651	33189	33232	33269	33275	33313	35189	35227	35265	35271	35315
		S/T	0.47	0.55	0.62	0.62	0.71	0.52	0.61	0.70	0.70	0.79	0.55	0.65	0.74	0.74	0.84
		PI	1.54	1.55	1.55	1.55	1.55	1.73	1.74	1.74	1.74	1.74	1.84	1.84	1.84	1.84	1.85
	80°F	TC	29586	29625	29657	29659	29699	33243	33286	33323	33329	33366	35246	35284	35322	35328	35372
		S/T	0.47	0.55	0.63	0.63	0.72	0.53	0.62	0.71	0.71	0.80	0.56	0.66	0.75	0.75	0.85
		PI	1.59	1.59	1.60	1.60	1.60	1.79	1.79	1.79	1.79	1.80	1.90	1.90	1.90	1.90	1.90
	86°F	TC	28841	28880	28911	28912	28951	32406	32448	32484	32490	32527	34359	34396	34433	34439	34482
		S/T	0.48	0.56	0.64	0.64	0.73	0.54	0.63	0.71	0.72	0.82	0.57	0.67	0.76	0.76	0.86
		PI	2.03	2.03	2.04	2.04	2.04	2.28	2.29	2.29	2.29	2.29	2.42	2.42	2.43	2.43	2.43
	95°F	TC	27713	27750	27780	27781	27819	31139	31179	31214	31220	31254	33015	33051	33087	33092	33133
		S/T	0.48	0.57	0.64	0.64	0.73	0.54	0.64	0.72	0.72	0.83	0.58	0.68	0.77	0.77	0.87
		PI	2.70	2.70	2.71	2.71	2.71	3.03	3.04	3.04	3.04	3.04	3.22	3.22	3.22	3.22	3.23
	104°F	TC	25021	25055	25082	25083	25117	28114	28150	28182	28187	28218	29808	29840	29873	29877	29915
		S/T	0.51	0.60	0.68	0.68	0.77	0.57	0.67	0.76	0.76	0.87	0.60	0.71	0.81	0.81	0.92
		PI	2.65	2.66	2.66	2.66	2.66	2.98	2.99	2.99	2.99	2.99	3.16	3.16	3.17	3.17	3.17
	110°F	TC	23406	23437	23463	23464	23495	26299	26333	26363	26367	26397	27884	27914	27944	27949	27983
		S/T	0.51	0.60	0.68	0.68	0.78	0.58	0.68	0.77	0.77	0.88	0.61	0.72	0.82	0.82	0.93
		PI	2.63	2.63	2.63	2.63	2.64	2.95	2.95	2.96	2.96	2.96	3.13	3.13	3.14	3.14	3.14
115°F	TC	20903	20931	20953	20954	20983	23486	23517	23543	23548	23574	24902	24929	24956	24960	24991	
	S/T	0.51	0.60	0.68	0.68	0.78	0.58	0.68	0.77	0.77	0.88	0.61	0.72	0.82	0.82	0.93	
	PI	2.68	2.68	2.68	2.68	2.69	3.01	3.01	3.01	3.02	3.02	3.19	3.19	3.20	3.20	3.20	
122°F	TC	17218	17241	17260	17260	17284	19346	19371	19393	19396	19418	20512	20534	20556	20560	20585	
	S/T	0.53	0.62	0.71	0.71	0.81	0.60	0.70	0.80	0.80	0.91	0.63	0.74	0.84	0.84	0.96	
	PI	2.43	2.43	2.43	2.43	2.43	2.72	2.73	2.73	2.73	2.73	2.89	2.89	2.90	2.90	2.90	

TC:Total Cooling Capacity (BTU/hr)

S/T:Sensible Cooling Capacity Ratio

PI:Power Input(kW)

30MPHP-HH-SYS Expanded Cooling @ 895 CFM

CFM	ODDB	ID WB(°F)	60.8°F					67.0°F					71.6°F				
		ID DB(°F)	73.4°F	77.0°F	80.0°F	80.6°F	84.2°F	73.4°F	77.0°F	80.0°F	80.6°F	84.2°F	73.4°F	77.0°F	80.0°F	80.6°F	84.2°F
895	50°F	TC	32172	32215	32250	32251	32295	36148	36195	36236	36242	36283	38326	38368	38410	38416	38464
		S/T	0.50	0.58	0.66	0.66	0.75	0.56	0.65	0.74	0.74	0.85	0.59	0.69	0.79	0.79	0.90
		PI	1.24	1.24	1.24	1.24	1.24	1.39	1.39	1.39	1.39	1.40	1.47	1.48	1.48	1.48	1.48
	59°F	TC	32327	32370	32405	32406	32450	36323	36370	36410	36417	36458	38511	38553	38595	38601	38649
		S/T	0.50	0.58	0.66	0.66	0.76	0.56	0.66	0.75	0.75	0.85	0.59	0.70	0.79	0.79	0.90
		PI	1.39	1.40	1.40	1.40	1.40	1.57	1.57	1.57	1.57	1.57	1.66	1.66	1.66	1.66	1.67
	68°F	TC	32482	32525	32560	32562	32606	36497	36544	36585	36592	36633	38696	38738	38780	38786	38834
		S/T	0.50	0.59	0.67	0.67	0.76	0.56	0.66	0.75	0.75	0.86	0.60	0.70	0.80	0.80	0.91
		PI	1.55	1.55	1.55	1.55	1.56	1.74	1.74	1.75	1.75	1.75	1.85	1.85	1.85	1.85	1.85
	77°F	TC	32637	32681	32716	32717	32761	36671	36719	36760	36766	36807	38880	38923	38965	38971	39020
		S/T	0.51	0.60	0.69	0.69	0.78	0.58	0.68	0.77	0.77	0.88	0.61	0.72	0.82	0.82	0.93
		PI	1.71	1.71	1.71	1.71	1.71	1.92	1.92	1.92	1.92	1.92	2.03	2.03	2.04	2.04	2.04
	80°F	TC	32689	32733	32769	32770	32814	36730	36778	36819	36826	36867	38943	38986	39028	39034	39083
		S/T	0.52	0.61	0.69	0.69	0.79	0.59	0.69	0.78	0.78	0.89	0.62	0.73	0.83	0.83	0.94
		PI	1.76	1.76	1.76	1.76	1.77	1.98	1.98	1.98	1.98	1.98	2.10	2.10	2.10	2.10	2.10
	86°F	TC	31867	31910	31944	31945	31989	35806	35852	35892	35899	35939	37963	38005	38046	38052	38099
		S/T	0.53	0.62	0.70	0.70	0.80	0.59	0.70	0.79	0.79	0.90	0.63	0.74	0.84	0.84	0.95
		PI	2.25	2.25	2.25	2.25	2.25	2.52	2.53	2.53	2.53	2.53	2.67	2.68	2.68	2.68	2.68
	95°F	TC	30620	30662	30695	30696	30737	34405	34450	34488	34495	34533	36478	36518	36558	36563	36609
		S/T	0.53	0.63	0.71	0.71	0.81	0.60	0.70	0.80	0.80	0.91	0.64	0.75	0.85	0.85	0.97
		PI	2.98	2.99	2.99	2.99	2.99	3.35	3.36	3.36	3.36	3.36	3.55	3.56	3.56	3.56	3.57
	104°F	TC	27646	27683	27713	27714	27752	31063	31104	31138	31144	31179	32935	32971	33007	33012	33053
		S/T	0.56	0.66	0.75	0.75	0.85	0.63	0.74	0.84	0.84	0.96	0.67	0.78	0.89	0.89	1.00
		PI	2.93	2.94	2.94	2.94	2.94	3.29	3.30	3.30	3.30	3.31	3.49	3.50	3.50	3.50	3.51
	110°F	TC	25861	25896	25924	25925	25960	29058	29096	29128	29134	29166	30809	30842	30876	30881	30919
		S/T	0.57	0.67	0.76	0.76	0.86	0.64	0.75	0.85	0.85	0.97	0.68	0.79	0.90	0.90	1.00
		PI	2.90	2.91	2.91	2.91	2.91	3.26	3.26	3.27	3.27	3.27	3.46	3.46	3.46	3.46	3.47
115°F	TC	23096	23127	23152	23153	23184	25950	25984	26013	26018	26047	27514	27544	27574	27578	27613	
	S/T	0.57	0.67	0.76	0.76	0.86	0.64	0.75	0.85	0.85	0.97	0.68	0.79	0.90	0.90	1.00	
	PI	2.96	2.96	2.96	2.96	2.97	3.32	3.33	3.33	3.33	3.34	3.52	3.53	3.53	3.53	3.54	
122°F	TC	19024	19050	19070	19071	19097	21376	21404	21427	21431	21455	22664	22688	22713	22717	22745	
	S/T	0.59	0.69	0.78	0.78	0.89	0.66	0.77	0.88	0.88	1.00	0.70	0.82	0.93	0.93	1.00	
	PI	2.68	2.68	2.69	2.69	2.69	3.01	3.01	3.02	3.02	3.02	3.19	3.20	3.20	3.20	3.20	

TC:Total Cooling Capacity (BTU/hr)

S/T:Sensible Cooling Capacity Ratio

PI:Power Input(kW)

30MPHP-HH-SYS Expanded Cooling @ 988 CFM

CFM	ODDB	ID WB(°F)	60.8°F					67.0°F					71.6°F				
		ID DB(°F)	73.4°F	77.0°F	80.0°F	80.6°F	84.2°F	73.4°F	77.0°F	80.0°F	80.6°F	84.2°F	73.4°F	77.0°F	80.0°F	80.6°F	84.2°F
988	50°F	TC	35163	35210	35248	35250	35297	39509	39561	39605	39612	39656	41890	41936	41981	41988	42040
		S/T	0.54	0.64	0.72	0.72	0.82	0.61	0.71	0.81	0.81	0.93	0.65	0.76	0.86	0.86	0.98
		PI	1.35	1.36	1.36	1.36	1.36	1.52	1.52	1.52	1.52	1.53	1.61	1.61	1.62	1.62	1.62
	59°F	TC	35332	35380	35418	35420	35467	39700	39751	39796	39803	39848	42092	42138	42183	42190	42243
		S/T	0.54	0.64	0.73	0.73	0.83	0.61	0.72	0.82	0.82	0.93	0.65	0.76	0.86	0.86	0.99
		PI	1.52	1.53	1.53	1.53	1.53	1.71	1.71	1.72	1.72	1.72	1.82	1.82	1.82	1.82	1.82
	68°F	TC	35502	35550	35588	35590	35638	39890	39942	39987	39994	40039	42294	42340	42386	42392	42445
		S/T	0.55	0.64	0.73	0.73	0.83	0.61	0.72	0.82	0.82	0.93	0.65	0.76	0.87	0.87	0.99
		PI	1.69	1.70	1.70	1.70	1.70	1.90	1.91	1.91	1.91	1.91	2.02	2.02	2.02	2.02	2.03
	77°F	TC	35671	35719	35758	35759	35808	40081	40133	40177	40185	40230	42496	42542	42588	42595	42648
		S/T	0.56	0.66	0.75	0.75	0.85	0.63	0.74	0.84	0.84	0.96	0.67	0.79	0.89	0.89	1.00
		PI	1.86	1.87	1.87	1.87	1.87	2.09	2.10	2.10	2.10	2.10	2.22	2.22	2.23	2.23	2.23
	80°F	TC	35729	35777	35816	35817	35865	40145	40198	40242	40250	40295	42564	42611	42657	42664	42717
		S/T	0.57	0.67	0.76	0.76	0.86	0.64	0.75	0.85	0.85	0.97	0.68	0.80	0.90	0.90	1.00
		PI	1.92	1.92	1.93	1.93	1.93	2.16	2.16	2.17	2.17	2.17	2.29	2.29	2.30	2.30	2.30
	86°F	TC	34830	34877	34914	34916	34963	39135	39186	39230	39237	39281	41493	41538	41583	41590	41642
		S/T	0.58	0.68	0.77	0.77	0.88	0.65	0.76	0.86	0.86	0.98	0.69	0.81	0.92	0.92	1.00
		PI	2.45	2.46	2.46	2.46	2.46	2.76	2.76	2.76	2.76	2.77	2.92	2.93	2.93	2.93	2.93
	95°F	TC	33468	33513	33549	33550	33595	37604	37653	37695	37702	37744	39870	39914	39957	39963	40013
		S/T	0.58	0.68	0.78	0.78	0.89	0.66	0.77	0.87	0.87	1.00	0.70	0.82	0.93	0.93	1.00
		PI	3.26	3.26	3.27	3.27	3.27	3.66	3.67	3.67	3.67	3.68	3.88	3.89	3.89	3.89	3.90
	104°F	TC	30217	30257	30290	30291	30332	33952	33996	34034	34040	34078	35997	36036	36076	36081	36126
		S/T	0.61	0.72	0.82	0.82	0.93	0.69	0.81	0.92	0.92	1.00	0.73	0.86	0.97	0.97	1.00
		PI	3.20	3.21	3.21	3.21	3.22	3.60	3.61	3.61	3.61	3.61	3.82	3.82	3.83	3.83	3.83
	110°F	TC	28266	28304	28334	28336	28374	31760	31801	31837	31843	31878	33674	33710	33747	33752	33794
		S/T	0.62	0.73	0.83	0.83	0.94	0.70	0.82	0.93	0.93	1.00	0.74	0.87	0.98	0.98	1.00
		PI	3.17	3.18	3.18	3.18	3.18	3.56	3.57	3.57	3.57	3.58	3.78	3.78	3.79	3.79	3.79
115°F	TC	25243	25277	25304	25305	25339	28363	28400	28432	28437	28469	30072	30105	30138	30142	30180	
	S/T	0.62	0.73	0.83	0.83	0.94	0.70	0.82	0.93	0.93	1.00	0.74	0.87	0.98	0.98	1.00	
	PI	3.23	3.24	3.24	3.24	3.24	3.63	3.64	3.64	3.64	3.65	3.85	3.85	3.86	3.86	3.86	
122°F	TC	20793	20821	20843	20844	20872	23363	23394	23420	23424	23450	24771	24798	24825	24829	24860	
	S/T	0.64	0.75	0.86	0.86	0.98	0.72	0.85	0.96	0.96	1.00	0.75	0.88	1.00	1.00	1.00	
	PI	2.93	2.93	2.94	2.94	2.94	3.29	3.29	3.30	3.30	3.30	3.49	3.49	3.50	3.50	3.50	

TC:Total Cooling Capacity (BTU/hr)

S/T:Sensible Cooling Capacity Ratio

PI:Power Input(kW)

30MPHP-HH-SYS Expanded Heating @ 712 CFM

CFM	HEATING PERFORMANCE AT INDOOR DRY BULB TEMPERATURE										
	OD DB (°F)	TC: Total Heating Capacity(BTU/hr)					PI: Power Input(kW)				
		Indoor Conditions (DB °F)					Indoor Conditions (DB °F)				
		60.8°F	68°F	70°F	71.6°F	75.2°F	60.8°F	68°F	70°F	71.6°F	75.2°F
712	-22°F	11779	11544	11486	11559	11455	3.38	3.41	3.41	3.42	3.43
	-13°F	13912	13633	13565	13386	13265	3.55	3.58	3.59	3.59	3.61
	-4°F	15261	14956	14881	14684	14552	3.61	3.64	3.64	3.65	3.67
	0°F	17959	17600	17512	17281	17125	3.72	3.75	3.76	3.77	3.78
	5°F	20626	20214	20113	19847	19668	3.88	3.91	3.92	3.92	3.94
	14°F	23960	23481	23363	23054	22847	4.07	4.10	4.11	4.12	4.14
	17°F	25400	24892	24767	24439	24219	3.82	3.85	3.85	3.86	3.88
	22°F	25880	25362	25235	24901	24677	3.73	3.76	3.77	3.78	3.79
	27°F	28420	27851	27712	27345	27099	3.57	3.60	3.61	3.62	3.63
	32°F	30960	30341	30189	29790	29522	3.42	3.45	3.45	3.46	3.47
	35°F	33501	32831	32666	32234	31944	3.26	3.29	3.30	3.30	3.32
	37°F	35025	34324	34153	33701	33397	3.17	3.20	3.20	3.21	3.22
	42°F	33962	33283	33117	32678	32384	3.08	3.10	3.11	3.11	3.13
	44.6°F	33659	32986	32821	32386	32095	3.05	3.07	3.08	3.09	3.10
	47°F	33203	32539	32377	31948	31661	2.98	3.00	3.01	3.01	3.02
	52°F	31543	30912	30758	30351	30078	2.92	2.94	2.95	2.95	2.96
	57°F	29966	29367	29220	28833	28574	2.86	2.88	2.89	2.89	2.90
59°F	28468	27898	27759	27392	27145	2.80	2.82	2.83	2.83	2.85	
62°F	27044	26504	26371	26022	25788	2.74	2.77	2.77	2.78	2.79	
64.4°F	25692	25178	25052	24721	24498	2.69	2.71	2.72	2.72	2.73	

30MPHP-HH-SYS Expanded Heating @ 802 CFM

CFM	HEATING PERFORMANCE AT INDOOR DRY BULB TEMPERATURE										
	OD DB (°F)	TC: Total Heating Capacity(BTU/hr)					PI: Power Input(kW)				
		Indoor Conditions (DB °F)					Indoor Conditions (DB °F)				
		60.8°F	68°F	70°F	71.6°F	75.2°F	60.8°F	68°F	70°F	71.6°F	75.2°F
802	-22°F	13015	12755	12691	12640	12527	3.41	3.44	3.45	3.46	3.47
	-13°F	15073	14771	14697	14638	14507	3.59	3.61	3.62	3.63	3.64
	-4°F	16534	16204	16123	16058	15914	3.64	3.67	3.68	3.69	3.70
	0°F	19458	19069	18974	18898	18728	3.76	3.79	3.80	3.81	3.82
	5°F	22348	21901	21791	21704	21509	3.92	3.95	3.96	3.96	3.98
	14°F	25960	25440	25313	25212	24985	4.11	4.15	4.15	4.16	4.18
	17°F	27519	26969	26834	26727	26486	3.85	3.88	3.89	3.90	3.92
	22°F	28039	27479	27341	27232	26987	3.77	3.80	3.81	3.81	3.83
	27°F	30792	30176	30025	29905	29636	3.61	3.64	3.65	3.65	3.67
	32°F	33544	32873	32709	32578	32285	3.45	3.48	3.49	3.50	3.51
	35°F	36296	35570	35393	35251	34934	3.30	3.32	3.33	3.34	3.35
	37°F	37948	37189	37003	36855	36523	3.20	3.23	3.23	3.24	3.25
	42°F	36797	36061	35880	35737	35415	3.11	3.13	3.14	3.14	3.16
	44.6°F	36468	35738	35560	35418	35099	3.08	3.10	3.11	3.12	3.13
	47°F	35974	35255	35079	34938	34624	3.01	3.03	3.04	3.04	3.05
	52°F	34176	33492	33325	33191	32893	2.95	2.97	2.98	2.98	2.99
	57°F	32467	31818	31659	31532	31248	2.89	2.91	2.92	2.92	2.93
	59°F	30844	30227	30076	29955	29686	2.83	2.85	2.86	2.86	2.87
62°F	29301	28715	28572	28458	28201	2.77	2.80	2.80	2.81	2.82	
64.4°F	27836	27280	27143	27035	26791	2.72	2.74	2.74	2.75	2.76	

30MPHP-HH-SYS Expanded Heating @ 895 CFM

CFM	HEATING PERFORMANCE AT INDOOR DRY BULB TEMPERATURE										
	OD DB (°F)	TC: Total Heating Capacity(BTU/hr)					PI: Power Input(kW)				
		Indoor Conditions (DB °F)					Indoor Conditions (DB °F)				
		60.8°F	68°F	70°F	71.6°F	75.2°F	60.8°F	68°F	70°F	71.6°F	75.2°F
895	-22°F	14101	13819	13750	13695	13572	3.45	3.48	3.48	3.49	3.50
	-13°F	16330	16004	15924	15860	15717	3.62	3.65	3.66	3.67	3.68
	-4°F	17914	17556	17468	17398	17242	3.68	3.71	3.72	3.72	3.74
	0°F	21082	20661	20557	20475	20291	3.80	3.83	3.84	3.84	3.86
	5°F	24213	23729	23610	23515	23304	3.96	3.99	4.00	4.00	4.02
	14°F	28126	27563	27426	27316	27070	4.15	4.19	4.20	4.20	4.22
	17°F	29816	29220	29074	28957	28697	3.89	3.92	3.93	3.94	3.96
	22°F	30379	29772	29623	29504	29239	3.81	3.84	3.84	3.85	3.87
	27°F	33361	32694	32531	32401	32109	3.65	3.68	3.68	3.69	3.71
	32°F	36344	35617	35439	35297	34979	3.49	3.52	3.52	3.53	3.54
	35°F	39326	38539	38346	38193	37849	3.33	3.36	3.36	3.37	3.38
	37°F	41115	40292	40091	39931	39571	3.23	3.26	3.27	3.27	3.29
	42°F	39868	39070	38875	38719	38371	3.14	3.16	3.17	3.18	3.19
	44.6°F	39511	38721	38527	38373	38028	3.11	3.14	3.14	3.15	3.16
	47°F	38977	38197	38006	37854	37514	3.04	3.06	3.07	3.07	3.09
	52°F	37028	36287	36106	35962	35638	2.98	3.00	3.01	3.01	3.02
	57°F	35177	34473	34301	34163	33856	2.92	2.94	2.95	2.95	2.96
	59°F	33418	32749	32586	32455	32163	2.86	2.88	2.89	2.89	2.90
62°F	31747	31112	30956	30833	30555	2.80	2.82	2.83	2.83	2.85	
64.4°F	30159	29556	29409	29291	29027	2.74	2.77	2.77	2.78	2.79	

30MPHP-HH-SYS Expanded Heating @ 988 CFM

CFM	HEATING PERFORMANCE AT INDOOR DRY BULB TEMPERATURE										
	OD DB (°F)	TC: Total Heating Capacity(BTU/hr)					PI: Power Input(kW)				
		Indoor Conditions (DB °F)					Indoor Conditions (DB °F)				
		60.8°F	68°F	70°F	71.6°F	75.2°F	60.8°F	68°F	70°F	71.6°F	75.2°F
988	-22°F	15113	14811	14737	14678	14546	3.48	3.51	3.52	3.53	3.54
	-13°F	17502	17152	17066	16998	16845	3.66	3.69	3.69	3.70	3.72
	-4°F	19200	18816	18722	18647	18479	3.72	3.75	3.75	3.76	3.78
	0°F	22595	22143	22032	21944	21747	3.84	3.87	3.87	3.88	3.90
	5°F	25950	25431	25304	25203	24976	4.00	4.03	4.04	4.04	4.06
	14°F	30144	29541	29394	29276	29013	4.20	4.23	4.24	4.25	4.26
	17°F	31956	31316	31160	31035	30756	3.93	3.96	3.97	3.98	4.00
	22°F	32559	31908	31749	31622	31337	3.84	3.88	3.88	3.89	3.91
	27°F	35755	35040	34865	34726	34413	3.68	3.71	3.72	3.73	3.74
	32°F	38951	38172	37982	37830	37489	3.52	3.55	3.56	3.57	3.58
	35°F	42147	41305	41098	40934	40565	3.36	3.39	3.40	3.40	3.42
	37°F	44065	43184	42968	42796	42411	3.27	3.29	3.30	3.31	3.32
	42°F	42728	41874	41664	41498	41124	3.17	3.20	3.20	3.21	3.22
	44.6°F	42347	41500	41292	41127	40757	3.14	3.17	3.17	3.18	3.19
	47°F	41774	40938	40734	40571	40205	3.07	3.09	3.10	3.10	3.12
	52°F	39685	38891	38697	38542	38195	3.01	3.03	3.04	3.04	3.05
	57°F	37701	36947	36762	36615	36285	2.95	2.97	2.98	2.98	2.99
59°F	35816	35099	34924	34784	34471	2.89	2.91	2.92	2.92	2.93	
62°F	34025	33344	33178	33045	32748	2.83	2.85	2.86	2.86	2.87	
64.4°F	32324	31677	31519	31393	31110	2.77	2.79	2.80	2.81	2.82	

36MPHP-HH-SYS Expanded Cooling @ 865 CFM

CFM	ODDB	ID WB(°F)	60.8°F					67.0°F					71.6°F				
		ID DB(°F)	73.4°F	77.0°F	80.0°F	80.6°F	84.2°F	73.4°F	77.0°F	80.0°F	80.6°F	84.2°F	73.4°F	77.0°F	80.0°F	80.6°F	84.2°F
865	50°F	TC	31545	31588	31622	31623	31666	35445	35491	35530	35537	35577	37580	37621	37662	37668	37715
		S/T	0.41	0.48	0.54	0.54	0.62	0.46	0.54	0.61	0.61	0.69	0.48	0.57	0.65	0.65	0.74
		PI	1.64	1.65	1.65	1.65	1.65	1.85	1.85	1.85	1.85	1.85	1.96	1.96	1.96	1.96	1.97
	59°F	TC	32248	32291	32326	32327	32371	36234	36281	36321	36328	36368	38417	38459	38500	38506	38554
		S/T	0.41	0.48	0.54	0.54	0.62	0.46	0.54	0.61	0.61	0.70	0.49	0.57	0.65	0.65	0.74
		PI	1.80	1.80	1.80	1.80	1.80	2.02	2.02	2.02	2.02	2.03	2.14	2.14	2.15	2.15	2.15
	68°F	TC	32950	32994	33030	33031	33076	37023	37071	37112	37119	37160	39253	39296	39339	39345	39394
		S/T	0.41	0.48	0.55	0.55	0.62	0.46	0.54	0.62	0.62	0.70	0.49	0.57	0.65	0.65	0.74
		PI	1.95	1.95	1.96	1.96	1.96	2.19	2.19	2.20	2.20	2.20	2.32	2.33	2.33	2.33	2.33
	77°F	TC	33652	33697	33733	33735	33780	37812	37861	37903	37910	37952	40090	40133	40177	40183	40233
		S/T	0.42	0.49	0.56	0.56	0.64	0.47	0.56	0.63	0.63	0.72	0.50	0.59	0.67	0.67	0.76
		PI	2.10	2.11	2.11	2.11	2.11	2.36	2.37	2.37	2.37	2.37	2.51	2.51	2.51	2.51	2.52
	80°F	TC	33891	33936	33973	33974	34020	38080	38129	38172	38179	38221	40374	40418	40462	40468	40519
		S/T	0.43	0.50	0.57	0.57	0.65	0.48	0.56	0.64	0.64	0.73	0.51	0.60	0.68	0.68	0.77
		PI	2.16	2.16	2.16	2.16	2.16	2.42	2.43	2.43	2.43	2.43	2.57	2.57	2.57	2.57	2.58
	86°F	TC	32889	32933	32968	32970	33014	36954	37002	37043	37050	37091	39181	39223	39266	39272	39321
		S/T	0.43	0.51	0.58	0.58	0.66	0.49	0.57	0.65	0.65	0.74	0.52	0.60	0.69	0.69	0.78
		PI	2.68	2.68	2.69	2.69	2.69	3.01	3.02	3.02	3.02	3.02	3.19	3.20	3.20	3.20	3.21
	95°F	TC	31371	31413	31447	31448	31490	35248	35294	35333	35340	35379	37372	37413	37453	37459	37506
		S/T	0.44	0.51	0.58	0.58	0.67	0.49	0.58	0.66	0.66	0.75	0.52	0.61	0.70	0.70	0.79
		PI	3.48	3.48	3.48	3.48	3.49	3.91	3.91	3.92	3.92	3.92	4.14	4.15	4.15	4.15	4.16
	104°F	TC	28784	28822	28853	28855	28894	32342	32384	32420	32426	32462	34290	34327	34365	34370	34413
		S/T	0.46	0.54	0.61	0.61	0.70	0.52	0.61	0.69	0.69	0.79	0.55	0.64	0.73	0.73	0.83
		PI	3.47	3.47	3.48	3.48	3.48	3.90	3.90	3.91	3.91	3.91	4.13	4.14	4.14	4.14	4.15
	110°F	TC	27231	27268	27297	27299	27335	30597	30637	30671	30677	30711	32441	32476	32512	32517	32557
		S/T	0.47	0.55	0.62	0.62	0.71	0.52	0.61	0.70	0.70	0.79	0.55	0.65	0.74	0.74	0.84
		PI	3.47	3.47	3.47	3.47	3.48	3.89	3.90	3.90	3.90	3.91	4.13	4.13	4.14	4.14	4.14
	115°F	TC	23329	23361	23386	23387	23418	26213	26247	26276	26281	26310	27792	27823	27853	27857	27892
		S/T	0.47	0.55	0.62	0.62	0.71	0.52	0.61	0.70	0.70	0.79	0.55	0.65	0.74	0.74	0.84
		PI	2.59	2.59	2.59	2.59	2.60	2.91	2.91	2.91	2.91	2.92	3.08	3.09	3.09	3.09	3.09
122°F	TC	18576	18600	18621	18621	18646	20872	20899	20922	20926	20949	22129	22153	22177	22181	22208	
	S/T	0.48	0.57	0.64	0.64	0.73	0.54	0.64	0.72	0.72	0.82	0.57	0.67	0.76	0.76	0.87	
	PI	2.75	2.75	2.75	2.75	2.76	3.09	3.09	3.09	3.09	3.10	3.27	3.28	3.28	3.28	3.28	

TC:Total Cooling Capacity (BTU/hr)

S/T:Sensible Cooling Capacity Ratio

PI:Power Input(kW)

36MPHP-HH-SYS Expanded Cooling @ 971 CFM

CFM	ODDB	ID WB(°F)	60.8°F					67.0°F					71.6°F				
		ID DB(°F)	73.4°F	77.0°F	80.0°F	80.6°F	84.2°F	73.4°F	77.0°F	80.0°F	80.6°F	84.2°F	73.4°F	77.0°F	80.0°F	80.6°F	84.2°F
971	50°F	TC	35060	35108	35145	35147	35194	39394	39445	39489	39497	39541	41768	41813	41859	41865	41917
		S/T	0.45	0.53	0.60	0.60	0.68	0.50	0.59	0.67	0.67	0.77	0.53	0.63	0.71	0.71	0.81
		PI	1.81	1.81	1.81	1.81	1.81	2.03	2.03	2.03	2.04	2.04	2.15	2.15	2.16	2.16	2.16
	59°F	TC	35841	35889	35928	35929	35978	40271	40323	40368	40376	40421	42698	42744	42790	42797	42850
		S/T	0.45	0.53	0.60	0.60	0.69	0.51	0.59	0.68	0.68	0.77	0.54	0.63	0.72	0.72	0.82
		PI	1.97	1.98	1.98	1.98	1.98	2.22	2.22	2.22	2.22	2.23	2.35	2.36	2.36	2.36	2.36
	68°F	TC	36621	36670	36710	36712	36761	41148	41201	41247	41255	41301	43627	43675	43722	43729	43783
		S/T	0.45	0.53	0.60	0.60	0.69	0.51	0.60	0.68	0.68	0.77	0.54	0.63	0.72	0.72	0.82
		PI	2.14	2.15	2.15	2.15	2.15	2.41	2.41	2.41	2.41	2.42	2.55	2.56	2.56	2.56	2.56
	77°F	TC	37402	37452	37492	37494	37544	42025	42079	42126	42134	42181	44557	44605	44654	44661	44716
		S/T	0.47	0.55	0.62	0.62	0.71	0.52	0.61	0.70	0.70	0.79	0.55	0.65	0.74	0.74	0.84
		PI	2.31	2.32	2.32	2.32	2.32	2.60	2.60	2.60	2.60	2.61	2.75	2.76	2.76	2.76	2.76
	80°F	TC	37667	37718	37758	37760	37811	42323	42378	42425	42433	42480	44873	44922	44971	44978	45034
		S/T	0.47	0.55	0.63	0.63	0.72	0.53	0.62	0.71	0.71	0.81	0.56	0.66	0.75	0.75	0.85
		PI	2.37	2.37	2.38	2.38	2.38	2.66	2.67	2.67	2.67	2.67	2.82	2.83	2.83	2.83	2.83
	86°F	TC	36553	36603	36642	36644	36693	41072	41125	41171	41179	41225	43546	43594	43641	43648	43702
		S/T	0.48	0.56	0.64	0.64	0.73	0.54	0.63	0.72	0.72	0.82	0.57	0.67	0.76	0.76	0.86
		PI	2.95	2.95	2.95	2.95	2.96	3.31	3.31	3.32	3.32	3.32	3.51	3.51	3.52	3.52	3.52
	95°F	TC	34866	34913	34951	34952	34999	39176	39227	39271	39278	39322	41536	41582	41627	41633	41685
		S/T	0.48	0.57	0.64	0.64	0.74	0.54	0.64	0.72	0.72	0.83	0.58	0.68	0.77	0.77	0.88
		PI	3.82	3.82	3.83	3.83	3.83	4.29	4.30	4.30	4.30	4.31	4.55	4.56	4.56	4.56	4.57
	104°F	TC	31991	32034	32068	32070	32113	35945	35992	36032	36039	36079	38111	38153	38194	38200	38248
		S/T	0.51	0.60	0.68	0.68	0.77	0.57	0.67	0.76	0.76	0.87	0.60	0.71	0.81	0.81	0.92
		PI	3.81	3.82	3.82	3.82	3.83	4.28	4.29	4.29	4.30	4.30	4.54	4.55	4.55	4.55	4.56
110°F	TC	30266	30306	30339	30340	30381	34007	34051	34089	34095	34133	36056	36095	36134	36140	36185	
	S/T	0.51	0.60	0.69	0.69	0.78	0.58	0.68	0.77	0.77	0.88	0.61	0.72	0.82	0.82	0.93	
	PI	3.81	3.81	3.82	3.82	3.82	4.28	4.28	4.29	4.29	4.30	4.54	4.54	4.55	4.55	4.55	
115°F	TC	25929	25964	25992	25993	26028	29134	29172	29204	29210	29242	30889	30923	30956	30961	31000	
	S/T	0.51	0.60	0.69	0.69	0.78	0.58	0.68	0.77	0.77	0.88	0.61	0.72	0.82	0.82	0.93	
	PI	2.84	2.85	2.85	2.85	2.85	3.19	3.20	3.20	3.20	3.21	3.39	3.39	3.39	3.39	3.40	
122°F	TC	20645	20673	20695	20696	20724	23197	23227	23253	23258	23284	24595	24622	24649	24652	24683	
	S/T	0.53	0.62	0.71	0.71	0.81	0.60	0.70	0.80	0.80	0.91	0.63	0.74	0.84	0.84	0.96	
	PI	3.02	3.02	3.03	3.03	3.03	3.39	3.40	3.40	3.40	3.40	3.60	3.60	3.60	3.60	3.61	

TC:Total Cooling Capacity (BTU/hr)

S/T:Sensible Cooling Capacity Ratio

PI:Power Input(kW)

36MPHP-HH-SYS Expanded Cooling @ 1,083 CFM

CFM	ODDB	ID WB(°F)	60.8°F					67.0°F					71.6°F				
		ID DB(°F)	73.4°F	77.0°F	80.0°F	80.6°F	84.2°F	73.4°F	77.0°F	80.0°F	80.6°F	84.2°F	73.4°F	77.0°F	80.0°F	80.6°F	84.2°F
1083	50°F	TC	38717	38769	38811	38813	38865	43503	43560	43608	43616	43665	46124	46174	46225	46232	46289
		S/T	0.50	0.58	0.66	0.66	0.75	0.56	0.65	0.74	0.74	0.85	0.59	0.69	0.79	0.79	0.90
		PI	1.99	2.00	2.00	2.00	2.00	2.24	2.24	2.25	2.25	2.25	2.38	2.38	2.38	2.38	2.39
	59°F	TC	39579	39632	39675	39677	39730	44471	44529	44579	44587	44637	47151	47202	47254	47261	47320
		S/T	0.50	0.58	0.66	0.66	0.76	0.56	0.66	0.75	0.75	0.85	0.59	0.70	0.79	0.79	0.90
		PI	2.18	2.18	2.19	2.19	2.19	2.45	2.45	2.46	2.46	2.46	2.60	2.60	2.60	2.60	2.61
	68°F	TC	40441	40495	40539	40541	40595	45440	45499	45549	45558	45609	48178	48230	48282	48290	48350
		S/T	0.50	0.59	0.67	0.67	0.76	0.56	0.66	0.75	0.75	0.86	0.60	0.70	0.80	0.80	0.91
		PI	2.37	2.37	2.37	2.37	2.38	2.66	2.66	2.67	2.67	2.67	2.82	2.82	2.83	2.83	2.83
	77°F	TC	41303	41358	41403	41405	41460	46408	46468	46520	46529	46581	49204	49258	49311	49319	49380
		S/T	0.51	0.60	0.69	0.69	0.78	0.58	0.68	0.77	0.77	0.88	0.61	0.72	0.82	0.82	0.93
		PI	2.55	2.56	2.56	2.56	2.56	2.87	2.87	2.88	2.88	2.88	3.04	3.04	3.05	3.05	3.05
	80°F	TC	41596	41652	41696	41698	41755	46737	46798	46850	46859	46911	49553	49607	49661	49669	49731
		S/T	0.52	0.61	0.69	0.69	0.79	0.59	0.69	0.78	0.78	0.89	0.62	0.73	0.83	0.83	0.94
		PI	2.62	2.62	2.62	2.62	2.63	2.94	2.94	2.95	2.95	2.95	3.12	3.12	3.12	3.12	3.13
	86°F	TC	40366	40420	40464	40466	40520	45356	45414	45465	45474	45524	48088	48141	48193	48201	48261
		S/T	0.53	0.62	0.70	0.70	0.80	0.59	0.70	0.79	0.79	0.90	0.63	0.74	0.84	0.84	0.95
		PI	3.25	3.26	3.26	3.26	3.27	3.66	3.66	3.66	3.66	3.67	3.88	3.88	3.88	3.88	3.89
	95°F	TC	38503	38555	38596	38598	38650	43262	43318	43367	43375	43423	45869	45919	45969	45976	46033
		S/T	0.53	0.63	0.71	0.71	0.81	0.60	0.70	0.80	0.80	0.91	0.64	0.75	0.85	0.85	0.97
		PI	4.22	4.22	4.23	4.23	4.23	4.74	4.75	4.75	4.75	4.76	5.03	5.03	5.04	5.04	5.04
	104°F	TC	35328	35375	35413	35415	35463	39694	39746	39790	39798	39842	42086	42132	42178	42184	42237
		S/T	0.56	0.66	0.75	0.75	0.85	0.63	0.74	0.84	0.84	0.96	0.67	0.78	0.89	0.89	1.00
		PI	4.21	4.22	4.22	4.22	4.23	4.73	4.74	4.74	4.74	4.75	5.02	5.02	5.03	5.03	5.03
	110°F	TC	33423	33468	33504	33505	33550	37554	37603	37645	37652	37694	39817	39860	39903	39909	39959
		S/T	0.57	0.67	0.76	0.76	0.86	0.64	0.75	0.85	0.85	0.97	0.68	0.79	0.90	0.90	1.00
		PI	4.21	4.21	4.22	4.22	4.22	4.73	4.73	4.74	4.74	4.74	5.01	5.02	5.02	5.02	5.03
	115°F	TC	28633	28672	28703	28704	28743	32173	32214	32250	32256	32292	34111	34148	34185	34191	34233
		S/T	0.57	0.67	0.76	0.76	0.86	0.64	0.75	0.85	0.85	0.97	0.68	0.79	0.90	0.90	1.00
		PI	3.14	3.14	3.15	3.15	3.15	3.53	3.53	3.54	3.54	3.54	3.74	3.74	3.75	3.75	3.75
122°F	TC	22799	22829	22854	22855	22886	25617	25650	25679	25683	25712	27160	27190	27219	27224	27258	
	S/T	0.59	0.69	0.78	0.78	0.89	0.66	0.77	0.88	0.88	1.00	0.70	0.82	0.93	0.93	1.00	
	PI	3.33	3.34	3.34	3.34	3.35	3.75	3.75	3.76	3.76	3.76	3.97	3.98	3.98	3.98	3.99	

TC:Total Cooling Capacity (BTU/hr)

S/T:Sensible Cooling Capacity Ratio

PI:Power Input(kW)

36MPHP-HH-SYS Expanded Cooling @ 1,188 CFM

CFM	ODDB	ID WB(°F)	60.8°F					67.0°F					71.6°F				
		ID DB(°F)	73.4°F	77.0°F	80.0°F	80.6°F	84.2°F	73.4°F	77.0°F	80.0°F	80.6°F	84.2°F	73.4°F	77.0°F	80.0°F	80.6°F	84.2°F
1188	50°F	TC	42051	42107	42152	42154	42211	47248	47310	47362	47371	47424	50095	50150	50204	50212	50275
		S/T	0.54	0.63	0.72	0.72	0.82	0.60	0.71	0.81	0.81	0.92	0.64	0.75	0.85	0.85	0.97
		PI	2.17	2.17	2.17	2.17	2.17	2.43	2.44	2.44	2.44	2.44	2.58	2.58	2.59	2.59	2.59
	59°F	TC	42987	43044	43091	43093	43151	48300	48363	48417	48426	48480	51210	51266	51322	51330	51394
		S/T	0.54	0.63	0.72	0.72	0.82	0.61	0.71	0.81	0.81	0.92	0.64	0.76	0.86	0.86	0.98
		PI	2.37	2.37	2.37	2.37	2.38	2.66	2.67	2.67	2.67	2.67	2.82	2.82	2.83	2.83	2.83
	68°F	TC	43923	43982	44029	44031	44090	49352	49416	49471	49480	49535	52325	52382	52439	52447	52513
		S/T	0.54	0.64	0.72	0.73	0.83	0.61	0.72	0.81	0.81	0.93	0.65	0.76	0.86	0.86	0.98
		PI	2.57	2.57	2.58	2.58	2.58	2.89	2.89	2.90	2.90	2.90	3.06	3.07	3.07	3.07	3.07
	77°F	TC	44858	44919	44967	44969	45030	50403	50469	50525	50535	50591	53440	53498	53557	53565	53632
		S/T	0.56	0.65	0.74	0.74	0.85	0.63	0.74	0.84	0.84	0.95	0.66	0.78	0.89	0.89	1.00
		PI	2.77	2.78	2.78	2.78	2.78	3.12	3.12	3.12	3.12	3.13	3.30	3.31	3.31	3.31	3.32
	80°F	TC	45177	45237	45286	45288	45349	50761	50827	50884	50893	50950	53819	53878	53937	53945	54012
		S/T	0.57	0.66	0.75	0.75	0.86	0.64	0.75	0.85	0.85	0.97	0.67	0.79	0.90	0.90	1.00
		PI	2.84	2.85	2.85	2.85	2.85	3.19	3.20	3.20	3.20	3.20	3.39	3.39	3.39	3.39	3.40
	86°F	TC	43841	43900	43947	43949	44009	49260	49324	49379	49388	49444	52228	52285	52342	52350	52415
		S/T	0.57	0.67	0.76	0.76	0.87	0.64	0.76	0.86	0.86	0.98	0.68	0.80	0.91	0.91	1.00
		PI	3.53	3.54	3.54	3.54	3.55	3.97	3.98	3.98	3.98	3.98	4.21	4.21	4.22	4.22	4.22
	95°F	TC	41818	41874	41919	41921	41977	46987	47048	47100	47109	47161	49818	49872	49926	49934	49996
		S/T	0.58	0.68	0.77	0.77	0.88	0.65	0.76	0.87	0.87	0.99	0.69	0.81	0.92	0.92	1.00
		PI	4.58	4.59	4.59	4.59	4.60	5.15	5.15	5.16	5.16	5.17	5.46	5.46	5.47	5.47	5.48
	104°F	TC	38369	38421	38462	38464	38516	43112	43168	43216	43224	43272	45709	45759	45809	45816	45873
		S/T	0.61	0.71	0.81	0.81	0.93	0.68	0.80	0.91	0.91	1.00	0.73	0.85	0.97	0.97	1.00
		PI	4.57	4.58	4.58	4.58	4.59	5.14	5.14	5.15	5.15	5.16	5.45	5.45	5.46	5.46	5.47
	110°F	TC	36300	36349	36388	36390	36439	40787	40840	40885	40893	40939	43244	43292	43339	43345	43399
		S/T	0.62	0.72	0.82	0.82	0.94	0.69	0.81	0.92	0.92	1.00	0.73	0.86	0.98	0.98	1.00
		PI	4.57	4.57	4.58	4.58	4.59	5.13	5.14	5.14	5.15	5.15	5.44	5.45	5.45	5.45	5.46
	115°F	TC	31098	31140	31174	31175	31217	34942	34988	35027	35033	35072	37048	37088	37128	37134	37180
		S/T	0.62	0.72	0.82	0.82	0.94	0.69	0.81	0.92	0.92	1.00	0.73	0.86	0.98	0.98	1.00
		PI	3.41	3.41	3.42	3.42	3.42	3.83	3.84	3.84	3.84	3.85	4.06	4.07	4.07	4.07	4.08
122°F	TC	24761	24795	24822	24823	24856	27822	27858	27889	27895	27926	29499	29531	29563	29567	29604	
	S/T	0.64	0.75	0.85	0.85	0.97	0.72	0.84	0.96	0.96	1.00	0.75	0.88	1.00	1.00	1.00	
	PI	3.62	3.63	3.63	3.63	3.63	4.07	4.07	4.08	4.08	4.08	4.31	4.32	4.32	4.32	4.33	

TC:Total Cooling Capacity (BTU/hr)

S/T:Sensible Cooling Capacity Ratio

PI:Power Input(kW)

36MPHP-HH-SYS Expanded Heating @ 865 CFM

CFM	HEATING PERFORMANCE AT INDOOR DRY BULB TEMPERATURE										
	OD DB (°F)	TC: Total Heating Capacity(BTU/hr)					PI: Power Input(kW)				
		Indoor Conditions (DB °F)					Indoor Conditions (DB °F)				
		60.8°F	68°F	70°F	71.6°F	75.2°F	60.8°F	68°F	70°F	71.6°F	75.2°F
865	-22°F	18502	18132	18041	18208	18044	4.77	4.81	4.82	4.83	4.85
	-13°F	22673	22220	22109	21879	21682	5.12	5.16	5.17	5.18	5.20
	-4°F	23730	23255	23139	22898	22692	4.98	5.02	5.03	5.04	5.06
	0°F	25842	25326	25199	24937	24713	4.70	4.74	4.75	4.76	4.78
	5°F	27780	27225	27088	26807	26566	4.88	4.92	4.93	4.94	4.96
	14°F	30202	29598	29450	29144	28882	5.10	5.14	5.15	5.16	5.18
	17°F	34419	33730	33562	33213	32914	5.39	5.43	5.44	5.46	5.48
	22°F	35824	35108	34932	34569	34258	5.49	5.53	5.54	5.55	5.58
	27°F	38110	37347	37161	36775	36444	5.63	5.67	5.69	5.70	5.72
	32°F	40395	39587	39389	38980	38629	5.77	5.82	5.83	5.84	5.86
	35°F	42680	41827	41618	41185	40815	5.91	5.96	5.97	5.98	6.01
	37°F	44052	43171	42955	42508	42126	6.00	6.04	6.06	6.07	6.09
	42°F	42849	41992	41782	41348	40976	5.35	5.39	5.40	5.41	5.43
	44.6°F	42505	41655	41447	41016	40647	5.16	5.20	5.21	5.23	5.25
	47°F	41990	41150	40944	40519	40154	4.66	4.70	4.71	4.72	4.74
	52°F	39890	39092	38897	38493	38146	4.57	4.61	4.62	4.63	4.64
	57°F	37896	37138	36952	36568	36239	4.48	4.51	4.52	4.53	4.55
59°F	36001	35281	35104	34740	34427	4.39	4.42	4.43	4.44	4.46	
62°F	34201	33517	33349	33003	32706	4.30	4.34	4.34	4.35	4.37	
64.4°F	32491	31841	31682	31353	31070	4.22	4.25	4.26	4.27	4.28	

36MPHP-HH-SYS Expanded Heating @ 971 CFM

CFM	HEATING PERFORMANCE AT INDOOR DRY BULB TEMPERATURE										
	OD DB (°F)	TC: Total Heating Capacity(BTU/hr)					PI: Power Input(kW)				
		Indoor Conditions (DB °F)					Indoor Conditions (DB °F)				
		60.8°F	68°F	70°F	71.6°F	75.2°F	60.8°F	68°F	70°F	71.6°F	75.2°F
971	-22°F	20432	20023	19923	19844	19665	4.82	4.86	4.87	4.88	4.90
	-13°F	24552	24061	23941	23845	23630	5.17	5.21	5.22	5.23	5.25
	-4°F	25696	25182	25056	24956	24731	5.03	5.07	5.08	5.09	5.11
	0°F	27984	27424	27287	27178	26933	4.75	4.79	4.80	4.81	4.83
	5°F	30082	29480	29333	29216	28953	4.93	4.97	4.98	4.99	5.01
	14°F	32705	32051	31890	31763	31477	5.15	5.19	5.20	5.21	5.23
	17°F	37271	36525	36343	36197	35872	5.44	5.49	5.50	5.51	5.53
	22°F	38793	38017	37827	37675	37336	5.54	5.59	5.60	5.61	5.63
	27°F	41267	40442	40240	40079	39718	5.69	5.73	5.74	5.75	5.78
	32°F	43742	42867	42653	42482	42100	5.83	5.88	5.89	5.90	5.92
	35°F	46217	45292	45066	44886	44482	5.97	6.02	6.03	6.04	6.07
	37°F	47702	46748	46514	46328	45911	6.06	6.10	6.12	6.13	6.15
	42°F	46399	45471	45244	45063	44657	5.40	5.45	5.46	5.47	5.49
	44.6°F	46027	45106	44881	44701	44299	5.21	5.26	5.27	5.28	5.30
	47°F	45469	44559	44337	44159	43762	4.71	4.75	4.76	4.77	4.79
	52°F	43195	42331	42120	41951	41574	4.62	4.65	4.66	4.67	4.69
	57°F	41036	40215	40014	39854	39495	4.52	4.56	4.57	4.58	4.60
59°F	38984	38204	38013	37861	37520	4.43	4.47	4.48	4.49	4.51	
62°F	37035	36294	36112	35968	35644	4.34	4.38	4.39	4.40	4.42	
64.4°F	35183	34479	34307	34170	33862	4.26	4.29	4.30	4.31	4.33	

36MPHP-HH-SYS Expanded Heating @ 1,083 CFM

CFM	HEATING PERFORMANCE AT INDOOR DRY BULB TEMPERATURE										
	OD DB (°F)	TC: Total Heating Capacity(BTU/hr)					PI: Power Input(kW)				
		Indoor Conditions (DB °F)					Indoor Conditions (DB °F)				
		60.8°F	68°F	70°F	71.6°F	75.2°F	60.8°F	68°F	70°F	71.6°F	75.2°F
1083	-22°F	22125	21682	21574	21488	21294	4.87	4.91	4.92	4.93	4.95
	-13°F	26586	26055	25924	25821	25588	5.22	5.26	5.28	5.29	5.31
	-4°F	27825	27269	27132	27024	26780	5.08	5.12	5.13	5.14	5.16
	0°F	30302	29696	29548	29430	29165	4.80	4.84	4.85	4.86	4.88
	5°F	32575	31923	31763	31636	31352	4.98	5.02	5.03	5.04	5.06
	14°F	35415	34706	34533	34395	34085	5.20	5.24	5.25	5.26	5.28
	17°F	40359	39552	39354	39197	38844	5.50	5.54	5.56	5.57	5.59
	22°F	42007	41167	40961	40797	40430	5.60	5.64	5.66	5.67	5.69
	27°F	44687	43793	43574	43400	43009	5.74	5.79	5.80	5.81	5.84
	32°F	47367	46419	46187	46002	45588	5.89	5.93	5.95	5.96	5.98
	35°F	50046	49045	48800	48605	48167	6.03	6.08	6.09	6.10	6.13
	37°F	51654	50621	50368	50166	49715	6.12	6.17	6.18	6.19	6.22
	42°F	50244	49239	48993	48797	48357	5.46	5.50	5.51	5.52	5.54
	44.6°F	49841	48844	48600	48405	47970	5.27	5.31	5.32	5.33	5.35
	47°F	49236	48252	48010	47818	47388	4.76	4.80	4.81	4.82	4.83
	52°F	46774	45839	45610	45427	45018	4.66	4.70	4.71	4.72	4.74
	57°F	44436	43547	43329	43156	42768	4.57	4.61	4.62	4.62	4.64
	59°F	42214	41370	41163	40998	40629	4.48	4.51	4.52	4.53	4.55
62°F	40103	39301	39105	38948	38598	4.39	4.42	4.43	4.44	4.46	
64.4°F	38098	37336	37149	37001	36668	4.30	4.34	4.34	4.35	4.37	

36MPHP-HH-SYS Expanded Heating @ 1,188 CFM

CFM	HEATING PERFORMANCE AT INDOOR DRY BULB TEMPERATURE										
	OD DB (°F)	TC: Total Heating Capacity(BTU/hr)					PI: Power Input(kW)				
		Indoor Conditions (DB °F)					Indoor Conditions (DB °F)				
		60.8°F	68°F	70°F	71.6°F	75.2°F	60.8°F	68°F	70°F	71.6°F	75.2°F
1188	-22°F	23563	23092	22976	22885	22679	4.92	4.96	4.97	4.98	5.00
	-13°F	28315	27748	27610	27499	27252	5.28	5.32	5.33	5.34	5.36
	-4°F	29634	29041	28896	28780	28521	5.13	5.17	5.18	5.19	5.22
	0°F	32272	31627	31469	31343	31061	4.85	4.89	4.90	4.91	4.93
	5°F	34692	33998	33828	33693	33390	5.03	5.07	5.08	5.09	5.11
	14°F	37717	36962	36778	36630	36301	5.25	5.30	5.31	5.32	5.34
	17°F	42982	42123	41912	41744	41369	5.56	5.60	5.61	5.62	5.65
	22°F	44738	43843	43624	43449	43058	5.66	5.70	5.71	5.72	5.75
	27°F	47592	46640	46407	46221	45805	5.80	5.85	5.86	5.87	5.90
	32°F	50445	49437	49189	48993	48552	5.95	5.99	6.01	6.02	6.04
	35°F	53299	52233	51972	51764	51299	6.09	6.14	6.15	6.17	6.19
	37°F	55012	53912	53642	53427	52947	6.18	6.23	6.24	6.25	6.28
	42°F	53510	52439	52177	51969	51501	5.51	5.56	5.57	5.58	5.60
	44.6°F	53080	52019	51759	51552	51088	5.32	5.36	5.37	5.39	5.41
	47°F	52437	51388	51131	50927	50468	4.81	4.84	4.85	4.86	4.88
	52°F	49815	48819	48575	48380	47945	4.71	4.75	4.76	4.77	4.79
	57°F	47324	46378	46146	45961	45548	4.62	4.65	4.66	4.67	4.69
59°F	44958	44059	43838	43663	43270	4.52	4.56	4.57	4.58	4.60	
62°F	42710	41856	41647	41480	41107	4.43	4.47	4.48	4.49	4.50	
64.4°F	40575	39763	39564	39406	39051	4.34	4.38	4.39	4.40	4.41	

TC:Total Cooling Capacity (BTU/hr)

S/T:Sensible Cooling Capacity Ratio

PI:Power Input(kW)

48MPHP-HH-SYS Expanded Cooling @ 906 CFM

CFM	ODDB	ID WB(°F)	60.8°F					67.0°F					71.6°F				
			ID DB(°F)	73.4°F	77.0°F	80.0°F	80.6°F	84.2°F	73.4°F	77.0°F	80.0°F	80.6°F	84.2°F	73.4°F	77.0°F	80.0°F	80.6°F
906	50°F	TC	36084	36133	36172	36173	36222	40545	40597	40642	40650	40695	42987	43034	43081	43088	43141
		S/T	0.37	0.43	0.49	0.49	0.56	0.41	0.49	0.55	0.55	0.63	0.44	0.51	0.58	0.58	0.67
		PI	2.49	2.49	2.49	2.49	2.50	2.79	2.80	2.80	2.80	2.80	2.96	2.97	2.97	2.97	2.97
	59°F	TC	35304	35352	35390	35391	35439	39668	39720	39764	39771	39816	42058	42104	42150	42156	42209
		S/T	0.37	0.43	0.49	0.49	0.56	0.42	0.49	0.55	0.55	0.63	0.44	0.52	0.59	0.59	0.67
		PI	2.41	2.41	2.41	2.41	2.41	2.70	2.71	2.71	2.71	2.71	2.87	2.87	2.87	2.87	2.88
	68°F	TC	34524	34571	34608	34609	34656	38792	38842	38885	38893	38936	41129	41174	41219	41225	41276
		S/T	0.37	0.44	0.50	0.50	0.57	0.42	0.49	0.56	0.56	0.64	0.44	0.52	0.59	0.59	0.67
		PI	2.32	2.33	2.33	2.33	2.33	2.61	2.61	2.62	2.62	2.62	2.77	2.77	2.77	2.77	2.78
	77°F	TC	33744	33790	33826	33827	33873	37915	37965	38007	38014	38056	40200	40243	40287	40294	40344
		S/T	0.38	0.45	0.51	0.51	0.58	0.43	0.50	0.57	0.57	0.65	0.45	0.53	0.61	0.61	0.69
		PI	2.24	2.24	2.25	2.25	2.25	2.52	2.52	2.52	2.53	2.53	2.67	2.67	2.68	2.68	2.68
	80°F	TC	33479	33524	33560	33562	33607	37617	37666	37708	37715	37757	39884	39927	39971	39977	40027
		S/T	0.39	0.45	0.52	0.52	0.59	0.43	0.51	0.58	0.58	0.66	0.46	0.54	0.61	0.61	0.70
		PI	2.21	2.22	2.22	2.22	2.22	2.49	2.49	2.49	2.49	2.50	2.64	2.64	2.64	2.64	2.65
	86°F	TC	32971	33015	33050	33052	33097	37046	37094	37136	37142	37184	39278	39321	39364	39370	39419
		S/T	0.39	0.46	0.52	0.52	0.60	0.44	0.52	0.59	0.59	0.67	0.47	0.55	0.62	0.62	0.71
		PI	2.84	2.84	2.84	2.84	2.85	3.19	3.19	3.19	3.19	3.20	3.38	3.38	3.38	3.39	3.39
	95°F	TC	32200	32244	32278	32280	32323	36180	36227	36268	36275	36315	38360	38402	38444	38450	38498
		S/T	0.40	0.47	0.53	0.53	0.60	0.45	0.52	0.59	0.59	0.68	0.47	0.55	0.63	0.63	0.72
		PI	3.78	3.78	3.79	3.79	3.79	4.24	4.25	4.25	4.25	4.26	4.50	4.50	4.51	4.51	4.52
	104°F	TC	28068	28105	28136	28137	28175	31537	31578	31613	31619	31654	33437	33474	33510	33515	33557
		S/T	0.42	0.49	0.56	0.56	0.63	0.47	0.55	0.62	0.62	0.71	0.50	0.58	0.66	0.66	0.75
		PI	3.44	3.44	3.45	3.45	3.45	3.86	3.87	3.87	3.87	3.88	4.09	4.10	4.10	4.10	4.11
	110°F	TC	25588	25623	25650	25651	25686	28751	28789	28821	28826	28858	30483	30517	30550	30555	30593
		S/T	0.42	0.49	0.56	0.56	0.64	0.47	0.56	0.63	0.63	0.72	0.50	0.59	0.67	0.67	0.76
		PI	3.23	3.24	3.24	3.24	3.25	3.63	3.64	3.64	3.64	3.65	3.85	3.86	3.86	3.86	3.87
115°F	TC	24656	24690	24716	24717	24751	27704	27740	27771	27776	27807	29373	29405	29437	29442	29479	
	S/T	0.42	0.49	0.56	0.56	0.64	0.47	0.56	0.63	0.63	0.72	0.50	0.59	0.67	0.67	0.76	
	PI	3.43	3.44	3.44	3.44	3.45	3.86	3.86	3.87	3.87	3.87	4.09	4.10	4.10	4.10	4.11	
122°F	TC	21357	21386	21409	21410	21439	23997	24028	24055	24059	24086	25443	25470	25498	25502	25534	
	S/T	0.44	0.51	0.58	0.58	0.66	0.49	0.58	0.65	0.65	0.75	0.52	0.61	0.69	0.69	0.79	
	PI	3.23	3.23	3.23	3.23	3.24	3.63	3.63	3.63	3.63	3.64	3.84	3.85	3.85	3.85	3.86	

TC:Total Cooling Capacity (BTU/hr)

S/T:Sensible Cooling Capacity Ratio

PI:Power Input(kW)

48MPHP-HH-SYS Expanded Cooling @ 1,095 CFM

CFM	ODDB	ID WB(°F)	60.8°F					67.0°F					71.6°F				
		ID DB(°F)	73.4°F	77.0°F	80.0°F	80.6°F	84.2°F	73.4°F	77.0°F	80.0°F	80.6°F	84.2°F	73.4°F	77.0°F	80.0°F	80.6°F	84.2°F
1095	50°F	TC	43180	43238	43285	43286	43345	48517	48580	48635	48644	48698	51441	51497	51553	51561	51625
		S/T	0.43	0.50	0.57	0.57	0.65	0.48	0.56	0.64	0.64	0.73	0.51	0.60	0.68	0.68	0.77
		PI	2.87	2.87	2.88	2.88	2.88	3.23	3.23	3.23	3.23	3.24	3.42	3.42	3.43	3.43	3.43
	59°F	TC	42247	42303	42349	42351	42408	47469	47530	47583	47592	47645	50329	50383	50438	50446	50509
		S/T	0.43	0.50	0.57	0.57	0.65	0.48	0.57	0.64	0.64	0.73	0.51	0.60	0.68	0.68	0.78
		PI	2.78	2.78	2.78	2.78	2.79	3.12	3.12	3.13	3.13	3.13	3.31	3.31	3.31	3.32	3.32
	68°F	TC	41313	41369	41413	41415	41471	46420	46480	46532	46541	46593	49217	49270	49324	49332	49393
		S/T	0.43	0.51	0.58	0.58	0.66	0.48	0.57	0.65	0.65	0.74	0.51	0.60	0.69	0.69	0.78
		PI	2.68	2.69	2.69	2.69	2.69	3.01	3.02	3.02	3.02	3.02	3.19	3.20	3.20	3.20	3.21
	77°F	TC	40380	40434	40478	40479	40534	45371	45430	45481	45489	45540	48105	48157	48209	48217	48277
		S/T	0.44	0.52	0.59	0.59	0.67	0.50	0.58	0.66	0.66	0.76	0.53	0.62	0.70	0.70	0.80
		PI	2.59	2.59	2.59	2.59	2.60	2.91	2.91	2.91	2.91	2.92	3.08	3.09	3.09	3.09	3.09
	80°F	TC	40062	40116	40159	40161	40215	45014	45073	45123	45132	45182	47727	47779	47831	47838	47898
		S/T	0.45	0.53	0.60	0.60	0.68	0.50	0.59	0.67	0.67	0.77	0.53	0.63	0.71	0.71	0.81
		PI	2.56	2.56	2.56	2.56	2.57	2.87	2.88	2.88	2.88	2.88	3.04	3.05	3.05	3.05	3.06
	86°F	TC	39454	39507	39550	39551	39605	44331	44388	44438	44446	44496	47002	47053	47104	47112	47170
		S/T	0.45	0.53	0.61	0.61	0.69	0.51	0.60	0.68	0.68	0.78	0.54	0.64	0.72	0.72	0.82
		PI	3.27	3.28	3.28	3.28	3.29	3.68	3.68	3.69	3.69	3.69	3.90	3.90	3.91	3.91	3.91
	95°F	TC	38532	38584	38626	38627	38679	43295	43351	43400	43408	43456	45904	45954	46004	46011	46068
		S/T	0.46	0.54	0.61	0.61	0.70	0.52	0.61	0.69	0.69	0.79	0.55	0.64	0.73	0.73	0.83
		PI	4.36	4.37	4.37	4.37	4.38	4.90	4.91	4.91	4.91	4.92	5.19	5.20	5.21	5.21	5.21
	104°F	TC	33587	33632	33668	33670	33715	37739	37788	37830	37837	37879	40013	40056	40100	40106	40156
		S/T	0.48	0.57	0.64	0.64	0.73	0.54	0.64	0.72	0.72	0.83	0.58	0.68	0.77	0.77	0.87
		PI	3.97	3.97	3.98	3.98	3.98	4.46	4.46	4.47	4.47	4.47	4.73	4.73	4.74	4.74	4.74
	110°F	TC	30620	30661	30694	30696	30737	34405	34450	34488	34494	34533	36478	36518	36557	36563	36608
		S/T	0.49	0.57	0.65	0.65	0.74	0.55	0.64	0.73	0.73	0.84	0.58	0.68	0.78	0.78	0.89
		PI	3.73	3.74	3.74	3.74	3.75	4.19	4.20	4.20	4.20	4.21	4.45	4.45	4.46	4.46	4.46
	115°F	TC	29505	29545	29576	29578	29618	33152	33195	33232	33238	33275	35150	35188	35226	35232	35275
		S/T	0.49	0.57	0.65	0.65	0.74	0.55	0.64	0.73	0.73	0.84	0.58	0.68	0.78	0.78	0.89
		PI	3.97	3.97	3.97	3.97	3.98	4.46	4.46	4.47	4.47	4.47	4.72	4.73	4.73	4.73	4.74
122°F	TC	25557	25591	25619	25620	25654	28716	28753	28785	28790	28823	30446	30479	30512	30517	30555	
	S/T	0.51	0.59	0.68	0.68	0.77	0.57	0.67	0.76	0.76	0.86	0.60	0.71	0.80	0.80	0.92	
	PI	3.72	3.73	3.73	3.73	3.74	4.19	4.19	4.20	4.20	4.20	4.44	4.44	4.45	4.45	4.45	

TC:Total Cooling Capacity (BTU/hr)

S/T:Sensible Cooling Capacity Ratio

PI:Power Input(kW)

48MPHP-HH-SYS Expanded Cooling @ 1,283 CFM

CFM	ODDB	ID WB(°F)	60.8°F					67.0°F					71.6°F				
		ID DB(°F)	73.4°F	77.0°F	80.0°F	80.6°F	84.2°F	73.4°F	77.0°F	80.0°F	80.6°F	84.2°F	73.4°F	77.0°F	80.0°F	80.6°F	84.2°F
1283	50°F	TC	50092	50160	50214	50216	50284	56284	56358	56420	56431	56494	59676	59741	59806	59815	59889
		S/T	0.50	0.58	0.66	0.66	0.75	0.56	0.65	0.74	0.74	0.85	0.59	0.69	0.79	0.79	0.90
		PI	3.33	3.33	3.34	3.34	3.34	3.74	3.75	3.75	3.75	3.76	3.97	3.97	3.98	3.98	3.98
	59°F	TC	49010	49076	49128	49131	49197	55068	55139	55201	55211	55273	58386	58449	58513	58522	58595
		S/T	0.50	0.58	0.66	0.66	0.76	0.56	0.66	0.75	0.75	0.85	0.59	0.70	0.79	0.79	0.90
		PI	3.22	3.23	3.23	3.23	3.23	3.62	3.62	3.63	3.63	3.63	3.84	3.84	3.85	3.85	3.85
	68°F	TC	47927	47991	48043	48045	48110	53851	53921	53981	53991	54051	57096	57158	57220	57229	57300
		S/T	0.50	0.59	0.67	0.67	0.76	0.56	0.66	0.75	0.75	0.86	0.60	0.70	0.80	0.80	0.91
		PI	3.11	3.12	3.12	3.12	3.12	3.50	3.50	3.50	3.50	3.51	3.71	3.71	3.71	3.72	3.72
	77°F	TC	46844	46907	46958	46960	47023	52634	52703	52762	52771	52830	55806	55866	55927	55936	56006
		S/T	0.51	0.60	0.69	0.69	0.78	0.58	0.68	0.77	0.77	0.88	0.61	0.72	0.82	0.82	0.93
		PI	3.00	3.01	3.01	3.01	3.01	3.37	3.38	3.38	3.38	3.39	3.58	3.58	3.58	3.58	3.59
	80°F	TC	46476	46538	46589	46591	46653	52221	52289	52347	52357	52415	55367	55427	55488	55496	55565
		S/T	0.52	0.61	0.69	0.69	0.79	0.59	0.69	0.78	0.78	0.89	0.62	0.73	0.83	0.83	0.94
		PI	2.96	2.97	2.97	2.97	2.98	3.33	3.34	3.34	3.34	3.34	3.53	3.54	3.54	3.54	3.54
	86°F	TC	45770	45832	45881	45883	45945	51428	51495	51552	51562	51619	54526	54586	54645	54654	54722
		S/T	0.53	0.62	0.70	0.70	0.80	0.59	0.70	0.79	0.79	0.90	0.63	0.74	0.84	0.84	0.95
		PI	3.80	3.80	3.81	3.81	3.81	4.27	4.27	4.28	4.28	4.28	4.52	4.53	4.53	4.53	4.54
	95°F	TC	44701	44761	44809	44811	44872	50226	50291	50347	50357	50413	53252	53310	53368	53377	53443
		S/T	0.53	0.63	0.71	0.71	0.81	0.60	0.70	0.80	0.80	0.91	0.64	0.75	0.85	0.85	0.97
		PI	5.06	5.06	5.07	5.07	5.08	5.68	5.69	5.70	5.70	5.70	6.03	6.03	6.04	6.04	6.05
	104°F	TC	38964	39016	39058	39060	39113	43780	43837	43886	43894	43943	46418	46469	46519	46526	46584
		S/T	0.56	0.66	0.75	0.75	0.85	0.63	0.74	0.84	0.84	0.96	0.67	0.78	0.89	0.89	1.00
		PI	4.60	4.61	4.61	4.61	4.62	5.17	5.18	5.18	5.19	5.19	5.48	5.49	5.50	5.50	5.50
	110°F	TC	35522	35570	35608	35610	35658	39913	39965	40009	40017	40061	42318	42364	42410	42416	42469
		S/T	0.57	0.67	0.76	0.76	0.86	0.64	0.75	0.85	0.85	0.97	0.68	0.79	0.90	0.90	1.00
		PI	4.33	4.34	4.34	4.34	4.35	4.87	4.87	4.88	4.88	4.88	5.16	5.16	5.17	5.17	5.18
	115°F	TC	34228	34274	34311	34313	34359	38459	38509	38552	38559	38602	40777	40821	40865	40872	40923
		S/T	0.57	0.67	0.76	0.76	0.86	0.64	0.75	0.85	0.85	0.97	0.68	0.79	0.90	0.90	1.00
		PI	4.60	4.61	4.61	4.61	4.62	5.17	5.18	5.18	5.18	5.19	5.48	5.49	5.49	5.49	5.50
122°F	TC	29648	29688	29720	29721	29761	33313	33356	33393	33399	33437	35320	35358	35397	35402	35446	
	S/T	0.59	0.69	0.78	0.78	0.89	0.66	0.77	0.88	0.88	1.00	0.70	0.82	0.93	0.93	1.00	
	PI	4.32	4.33	4.33	4.33	4.34	4.86	4.86	4.87	4.87	4.87	5.15	5.15	5.16	5.16	5.17	

TC:Total Cooling Capacity (BTU/hr)

S/T:Sensible Cooling Capacity Ratio

PI:Power Input(kW)

48MPHP-HH-SYS Expanded Cooling @ 1,470 CFM

CFM	ODDB	ID WB(°F)	60.8°F					67.0°F					71.6°F				
		ID DB(°F)	73.4°F	77.0°F	80.0°F	80.6°F	84.2°F	73.4°F	77.0°F	80.0°F	80.6°F	84.2°F	73.4°F	77.0°F	80.0°F	80.6°F	84.2°F
1470	50°F	TC	56825	56902	56963	56966	57042	63849	63932	64004	64016	64087	67697	67770	67844	67854	67939
		S/T	0.56	0.66	0.75	0.75	0.85	0.63	0.74	0.84	0.84	0.96	0.67	0.79	0.89	0.89	1.00
		PI	3.78	3.78	3.79	3.79	3.79	4.24	4.25	4.26	4.26	4.26	4.50	4.51	4.51	4.51	4.52
	59°F	TC	55597	55672	55732	55734	55809	62469	62550	62620	62632	62702	66233	66305	66377	66388	66470
		S/T	0.57	0.66	0.75	0.75	0.86	0.63	0.74	0.85	0.85	0.97	0.67	0.79	0.90	0.90	1.00
		PI	3.65	3.66	3.66	3.66	3.67	4.11	4.11	4.12	4.12	4.12	4.35	4.36	4.36	4.36	4.37
	68°F	TC	54369	54442	54500	54503	54576	61089	61168	61237	61248	61316	64770	64840	64911	64921	65002
		S/T	0.57	0.67	0.76	0.76	0.86	0.64	0.75	0.85	0.85	0.97	0.68	0.79	0.90	0.90	1.00
		PI	3.53	3.53	3.54	3.54	3.54	3.97	3.97	3.98	3.98	3.98	4.20	4.21	4.21	4.21	4.22
	77°F	TC	53140	53212	53269	53271	53343	59709	59787	59853	59864	59931	63307	63375	63444	63454	63533
		S/T	0.58	0.68	0.78	0.78	0.89	0.66	0.77	0.87	0.87	1.00	0.69	0.81	0.93	0.93	1.00
		PI	3.41	3.41	3.41	3.41	3.42	3.83	3.83	3.84	3.84	3.84	4.06	4.06	4.07	4.07	4.07
	80°F	TC	52723	52794	52850	52853	52924	59240	59317	59383	59394	59460	62809	62877	62946	62956	63034
		S/T	0.59	0.69	0.79	0.79	0.90	0.66	0.78	0.88	0.88	1.00	0.70	0.83	0.94	0.94	1.00
		PI	3.36	3.37	3.37	3.37	3.38	3.78	3.78	3.79	3.79	3.79	4.01	4.01	4.02	4.02	4.02
	86°F	TC	51922	51992	52048	52050	52120	58340	58416	58481	58492	58557	61855	61922	61990	61999	62077
		S/T	0.60	0.70	0.80	0.80	0.91	0.67	0.79	0.90	0.90	1.00	0.71	0.84	0.95	0.95	1.00
		PI	4.31	4.31	4.32	4.32	4.32	4.84	4.85	4.85	4.85	4.86	5.13	5.14	5.14	5.14	5.15
	95°F	TC	50709	50777	50832	50834	50903	56977	57051	57115	57125	57189	60410	60476	60541	60551	60626
		S/T	0.61	0.71	0.81	0.81	0.92	0.68	0.80	0.91	0.91	1.00	0.72	0.85	0.96	0.96	1.00
		PI	5.74	5.75	5.75	5.75	5.76	6.45	6.46	6.46	6.46	6.47	6.84	6.84	6.85	6.85	6.86
	104°F	TC	44201	44260	44308	44310	44370	49665	49729	49785	49794	49849	52657	52714	52772	52780	52846
		S/T	0.64	0.75	0.85	0.85	0.97	0.71	0.84	0.95	0.95	1.00	0.75	0.88	1.00	1.00	1.00
		PI	5.22	5.23	5.23	5.23	5.24	5.87	5.87	5.88	5.88	5.89	6.22	6.23	6.23	6.24	6.24
	110°F	TC	40296	40351	40394	40396	40450	45277	45336	45387	45395	45446	48005	48058	48110	48117	48177
		S/T	0.64	0.76	0.86	0.86	0.98	0.72	0.85	0.96	0.96	1.00	0.75	0.88	1.00	1.00	1.00
		PI	4.91	4.92	4.92	4.92	4.93	5.52	5.53	5.53	5.53	5.54	5.85	5.86	5.86	5.87	5.87
	115°F	TC	38829	38881	38923	38925	38977	43629	43685	43734	43742	43791	46257	46308	46358	46365	46423
		S/T	0.64	0.76	0.86	0.86	0.98	0.72	0.85	0.96	0.96	1.00	0.75	0.88	1.00	1.00	1.00
		PI	5.22	5.23	5.23	5.23	5.24	5.86	5.87	5.88	5.88	5.89	6.22	6.22	6.23	6.23	6.24
122°F	TC	33633	33678	33714	33716	33761	37790	37839	37882	37889	37931	40067	40111	40154	40161	40211	
	S/T	0.67	0.78	0.89	0.89	1.00	0.75	0.88	1.00	1.00	1.00	0.75	0.88	1.00	1.00	1.00	
	PI	4.90	4.91	4.91	4.91	4.92	5.51	5.52	5.52	5.52	5.53	5.84	5.85	5.85	5.85	5.86	

TC:Total Cooling Capacity (BTU/hr)

S/T:Sensible Cooling Capacity Ratio

PI:Power Input(kW)

48MPHP-HH-SYS Expanded Heating @ 906 CFM

CFM	HEATING PERFORMANCE AT INDOOR DRY BULB TEMPERATURE										
	OD DB (°F)	TC: Total Heating Capacity(BTU/hr)					PI: Power Input(kW)				
		Indoor Conditions (DB °F)					Indoor Conditions (DB °F)				
		60.8°F	68°F	70°F	71.6°F	75.2°F	60.8°F	68°F	70°F	71.6°F	75.2°F
906	-22°F	19088	18706	18613	18328	18163	5.09	5.13	5.14	5.15	5.17
	-13°F	23979	23500	23382	22577	22374	5.47	5.51	5.52	5.53	5.56
	-4°F	25795	25279	25152	24286	24068	5.56	5.61	5.62	5.63	5.65
	0°F	29425	28837	28692	27705	27455	5.75	5.80	5.81	5.82	5.85
	5°F	33110	32448	32285	31174	30893	6.28	6.33	6.35	6.36	6.38
	14°F	37716	36961	36776	35510	35191	6.94	7.00	7.01	7.03	7.06
	17°F	36992	36252	36071	34829	34515	6.41	6.46	6.47	6.49	6.51
	22°F	36750	36015	35835	34602	34290	6.23	6.28	6.29	6.30	6.33
	27°F	38392	37624	37436	36148	35822	5.87	5.92	5.93	5.94	5.96
	32°F	40034	39233	39037	37693	37354	5.51	5.55	5.57	5.58	5.60
	35°F	41676	40843	40638	39239	38886	5.15	5.19	5.20	5.21	5.23
	37°F	42661	41808	41599	40167	39805	4.93	4.97	4.98	4.99	5.01
	42°F	41843	41006	40801	39396	39042	5.24	5.28	5.29	5.30	5.32
	44.6°F	41609	40777	40573	39176	38823	5.32	5.37	5.38	5.39	5.41
	47°F	41258	40433	40231	38846	38496	5.56	5.60	5.61	5.62	5.65
	52°F	39195	38411	38219	36903	36571	5.44	5.49	5.50	5.51	5.53
	57°F	37235	36491	36308	35058	34743	5.34	5.38	5.39	5.40	5.42
	59°F	35373	34666	34493	33305	33006	5.23	5.27	5.28	5.29	5.31
62°F	33605	32933	32768	31640	31355	5.12	5.17	5.18	5.19	5.21	
64.4°F	31925	31286	31130	30058	29787	5.02	5.06	5.07	5.08	5.10	

48MPHP-HH-SYS Expanded Heating @ 1,095 CFM

CFM	HEATING PERFORMANCE AT INDOOR DRY BULB TEMPERATURE										
	OD DB (°F)	TC: Total Heating Capacity(BTU/hr)					PI: Power Input(kW)				
		Indoor Conditions (DB °F)					Indoor Conditions (DB °F)				
		60.8°F	68°F	70°F	71.6°F	75.2°F	60.8°F	68°F	70°F	71.6°F	75.2°F
1095	-22°F	22144	21701	21593	21506	21313	5.14	5.18	5.19	5.20	5.22
	-13°F	27278	26732	26599	26492	26254	5.52	5.57	5.58	5.59	5.61
	-4°F	29343	28756	28612	28498	28241	5.62	5.66	5.68	5.69	5.71
	0°F	33473	32803	32639	32509	32216	5.81	5.86	5.87	5.88	5.91
	5°F	37664	36911	36727	36580	36250	6.35	6.40	6.41	6.42	6.45
	14°F	42904	42046	41836	41668	41293	7.01	7.07	7.09	7.10	7.13
	17°F	42080	41239	41032	40868	40501	6.47	6.53	6.54	6.55	6.58
	22°F	41806	40970	40765	40602	40236	6.29	6.34	6.36	6.37	6.39
	27°F	43674	42800	42586	42416	42034	5.93	5.98	5.99	6.00	6.02
	32°F	45541	44631	44407	44230	43832	5.57	5.61	5.62	5.63	5.66
	35°F	47409	46461	46229	46044	45629	5.20	5.24	5.25	5.26	5.29
	37°F	48530	47559	47321	47132	46708	4.98	5.02	5.03	5.04	5.06
	42°F	47599	46647	46413	46228	45812	5.29	5.33	5.34	5.35	5.37
	44.6°F	47333	46386	46154	45969	45556	5.38	5.42	5.43	5.44	5.46
	47°F	46933	45995	45765	45582	45171	5.61	5.66	5.67	5.68	5.70
	52°F	44587	43695	43477	43303	42913	5.50	5.54	5.56	5.57	5.59
	57°F	42357	41510	41303	41137	40767	5.39	5.43	5.44	5.46	5.48
	59°F	40240	39435	39238	39081	38729	5.28	5.32	5.34	5.35	5.37
62°F	38228	37463	37276	37127	36792	5.18	5.22	5.23	5.24	5.26	
64.4°F	36316	35590	35412	35270	34953	5.07	5.11	5.12	5.13	5.15	

48MPHP-HH-SYS Expanded Heating @ 1,283 CFM

CFM	HEATING PERFORMANCE AT INDOOR DRY BULB TEMPERATURE										
	OD DB (°F)	TC: Total Heating Capacity(BTU/hr)					PI: Power Input(kW)				
		Indoor Conditions (DB °F)					Indoor Conditions (DB °F)				
		60.8°F	68°F	70°F	71.6°F	75.2°F	60.8°F	68°F	70°F	71.6°F	75.2°F
1283	-22°F	25190	24686	24563	24465	24245	5.19	5.23	5.25	5.26	5.28
	-13°F	31030	30410	30258	30137	29865	5.58	5.62	5.64	5.65	5.67
	-4°F	33379	32712	32548	32418	32126	5.68	5.72	5.73	5.74	5.77
	0°F	38078	37316	37129	36981	36648	5.87	5.92	5.93	5.94	5.96
	5°F	42846	41989	41779	41612	41237	6.41	6.46	6.47	6.49	6.51
	14°F	48806	47830	47591	47400	46974	7.09	7.14	7.16	7.17	7.20
	17°F	47869	46912	46677	46490	46072	6.54	6.59	6.60	6.62	6.64
	22°F	47557	46606	46372	46187	45771	6.36	6.41	6.42	6.43	6.46
	27°F	49681	48688	48444	48251	47816	5.99	6.04	6.05	6.06	6.09
	32°F	51806	50770	50516	50314	49861	5.62	5.67	5.68	5.69	5.71
	35°F	53931	52852	52588	52378	51906	5.25	5.30	5.31	5.32	5.34
	37°F	55206	54102	53831	53616	53133	5.03	5.07	5.09	5.10	5.12
	42°F	54146	53063	52798	52587	52114	5.34	5.39	5.40	5.41	5.43
	44.6°F	53844	52767	52503	52293	51822	5.43	5.47	5.49	5.50	5.52
	47°F	53390	52322	52060	51852	51385	5.67	5.71	5.73	5.74	5.76
	52°F	50720	49706	49457	49259	48816	5.56	5.60	5.61	5.62	5.65
	57°F	48184	47221	46984	46796	46375	5.44	5.49	5.50	5.51	5.53
	59°F	45775	44859	44635	44457	44057	5.34	5.38	5.39	5.40	5.42
62°F	43486	42617	42403	42234	41854	5.23	5.27	5.28	5.29	5.31	
64.4°F	41312	40486	40283	40122	39761	5.12	5.17	5.18	5.19	5.21	

48MPHP-HH-SYS Expanded Heating @ 1,470 CFM

CFM	HEATING PERFORMANCE AT INDOOR DRY BULB TEMPERATURE										
	OD DB (°F)	TC: Total Heating Capacity(BTU/hr)					PI: Power Input(kW)				
		Indoor Conditions (DB °F)					Indoor Conditions (DB °F)				
		60.8°F	68°F	70°F	71.6°F	75.2°F	60.8°F	68°F	70°F	71.6°F	75.2°F
1470	-22°F	28021	27461	27323	27214	26969	5.25	5.29	5.30	5.31	5.33
	-13°F	34517	33827	33658	33523	33222	5.64	5.68	5.69	5.70	5.73
	-4°F	37131	36388	36206	36061	35737	5.73	5.78	5.79	5.80	5.83
	0°F	42357	41510	41302	41137	40767	5.93	5.98	5.99	6.00	6.02
	5°F	47661	46707	46474	46288	45871	6.47	6.53	6.54	6.55	6.58
	14°F	54291	53205	52939	52727	52253	7.16	7.21	7.23	7.24	7.27
	17°F	53248	52184	51923	51715	51249	6.60	6.66	6.67	6.68	6.71
	22°F	52901	51843	51584	51378	50915	6.42	6.47	6.48	6.50	6.52
	27°F	55265	54159	53889	53673	53190	6.05	6.10	6.11	6.12	6.15
	32°F	57628	56476	56193	55968	55465	5.68	5.72	5.74	5.75	5.77
	35°F	59992	58792	58498	58264	57740	5.31	5.35	5.36	5.37	5.39
	37°F	61410	60182	59881	59641	59104	5.09	5.13	5.14	5.15	5.17
	42°F	60231	59027	58732	58497	57970	5.40	5.44	5.45	5.46	5.48
	44.6°F	59895	58697	58403	58170	57646	5.49	5.53	5.54	5.55	5.57
	47°F	59390	58202	57911	57679	57160	5.73	5.77	5.78	5.80	5.82
	52°F	56420	55292	55015	54795	54302	5.61	5.66	5.67	5.68	5.70
	57°F	53599	52527	52265	52056	51587	5.50	5.54	5.55	5.57	5.59
59°F	50919	49901	49651	49453	49008	5.39	5.43	5.44	5.45	5.48	
62°F	48373	47406	47169	46980	46557	5.28	5.32	5.33	5.35	5.37	
64.4°F	45955	45036	44810	44631	44229	5.18	5.22	5.23	5.24	5.26	

TC:Total Cooling Capacity (BTU/hr)

S/T:Sensible Cooling Capacity Ratio

PI:Power Input(kW)

60MPHP-HH-SYS Expanded Cooling @ 1,136 CFM

CFM	ODDB	ID WB(°F)	60.8°F					67.0°F					71.6°F				
		ID DB(°F)	73.4°F	77.0°F	80.0°F	80.6°F	84.2°F	73.4°F	77.0°F	80.0°F	80.6°F	84.2°F	73.4°F	77.0°F	80.0°F	80.6°F	84.2°F
1136	50°F	TC	40542	40596	40640	40642	40697	45553	45612	45663	45672	45723	48298	48350	48403	48411	48471
		S/T	0.37	0.44	0.50	0.50	0.57	0.42	0.49	0.56	0.56	0.64	0.44	0.52	0.59	0.59	0.68
		PI	2.63	2.63	2.64	2.64	2.64	2.96	2.96	2.96	2.96	2.97	3.13	3.14	3.14	3.14	3.14
	59°F	TC	40474	40528	40572	40574	40628	45477	45536	45586	45595	45646	48217	48269	48322	48329	48389
		S/T	0.38	0.44	0.50	0.50	0.57	0.42	0.49	0.56	0.56	0.64	0.45	0.52	0.60	0.60	0.68
		PI	2.85	2.86	2.86	2.86	2.87	3.21	3.21	3.22	3.22	3.22	3.40	3.40	3.41	3.41	3.41
	68°F	TC	40405	40460	40503	40505	40560	45400	45459	45510	45518	45569	48135	48188	48240	48248	48308
		S/T	0.38	0.44	0.50	0.50	0.57	0.42	0.50	0.56	0.56	0.64	0.45	0.53	0.60	0.60	0.68
		PI	3.08	3.08	3.09	3.09	3.09	3.46	3.46	3.47	3.47	3.47	3.67	3.67	3.68	3.68	3.68
	77°F	TC	40337	40391	40435	40437	40491	45323	45382	45433	45441	45492	48054	48106	48159	48166	48226
		S/T	0.39	0.45	0.52	0.52	0.59	0.43	0.51	0.58	0.58	0.66	0.46	0.54	0.61	0.61	0.70
		PI	3.30	3.31	3.31	3.31	3.32	3.71	3.72	3.72	3.72	3.73	3.94	3.94	3.94	3.95	3.95
	80°F	TC	40314	40368	40412	40414	40468	45297	45356	45407	45415	45466	48026	48079	48131	48139	48198
		S/T	0.39	0.46	0.52	0.52	0.60	0.44	0.52	0.59	0.59	0.67	0.47	0.55	0.62	0.62	0.71
		PI	3.38	3.39	3.39	3.39	3.39	3.80	3.80	3.81	3.81	3.81	4.03	4.03	4.04	4.04	4.04
	86°F	TC	38861	38913	38955	38957	39009	43665	43721	43770	43778	43827	46295	46346	46396	46403	46461
		S/T	0.40	0.47	0.53	0.53	0.60	0.45	0.52	0.59	0.59	0.68	0.47	0.55	0.63	0.63	0.72
		PI	3.76	3.76	3.77	3.77	3.77	4.22	4.23	4.23	4.23	4.24	4.48	4.48	4.49	4.49	4.49
	95°F	TC	36659	36709	36748	36750	36799	41191	41244	41290	41298	41344	43673	43720	43768	43775	43829
		S/T	0.40	0.47	0.54	0.54	0.61	0.45	0.53	0.60	0.60	0.69	0.48	0.56	0.64	0.64	0.73
		PI	4.33	4.34	4.34	4.34	4.35	4.87	4.87	4.88	4.88	4.88	5.16	5.17	5.17	5.17	5.18
	104°F	TC	31436	31478	31512	31513	31556	35321	35367	35407	35413	35453	37449	37490	37531	37537	37584
		S/T	0.42	0.50	0.56	0.56	0.64	0.47	0.56	0.63	0.63	0.72	0.50	0.59	0.67	0.67	0.76
		PI	3.84	3.85	3.85	3.85	3.86	4.32	4.33	4.33	4.33	4.34	4.58	4.59	4.59	4.59	4.60
	110°F	TC	28301	28339	28370	28371	28409	31800	31841	31876	31882	31918	33715	33752	33789	33794	33836
		S/T	0.43	0.50	0.57	0.57	0.65	0.48	0.56	0.64	0.64	0.73	0.51	0.60	0.68	0.68	0.77
		PI	3.55	3.56	3.56	3.56	3.57	3.99	4.00	4.00	4.00	4.01	4.23	4.24	4.24	4.24	4.25
115°F	TC	27405	27442	27472	27473	27510	30793	30833	30867	30873	30907	32648	32684	32719	32724	32765	
	S/T	0.43	0.50	0.57	0.57	0.65	0.48	0.56	0.64	0.64	0.73	0.51	0.60	0.68	0.68	0.77	
	PI	3.72	3.72	3.73	3.73	3.73	4.18	4.18	4.19	4.19	4.19	4.43	4.43	4.44	4.44	4.45	
122°F	TC	23094	23125	23150	23151	23182	25949	25983	26012	26016	26045	27512	27542	27572	27577	27611	
	S/T	0.44	0.52	0.59	0.59	0.67	0.50	0.58	0.66	0.66	0.76	0.53	0.62	0.70	0.70	0.80	
	PI	3.51	3.51	3.52	3.52	3.52	3.94	3.95	3.95	3.95	3.96	4.18	4.18	4.19	4.19	4.19	

TC:Total Cooling Capacity (BTU/hr)

S/T:Sensible Cooling Capacity Ratio

PI:Power Input(kW)

60MPHP-HH-SYS Expanded Cooling @ 1,360 CFM

CFM	ODDB	ID WB(°F)	60.8°F					67.0°F					71.6°F				
		ID DB(°F)	73.4°F	77.0°F	80.0°F	80.6°F	84.2°F	73.4°F	77.0°F	80.0°F	80.6°F	84.2°F	73.4°F	77.0°F	80.0°F	80.6°F	84.2°F
1360	50°F	TC	48055	48120	48172	48174	48239	53996	54066	54126	54136	54196	57249	57311	57374	57382	57454
		S/T	0.43	0.50	0.57	0.57	0.65	0.48	0.57	0.64	0.64	0.73	0.51	0.60	0.68	0.68	0.78
		PI	3.02	3.02	3.02	3.02	3.03	3.39	3.39	3.40	3.40	3.40	3.59	3.60	3.60	3.60	3.61
	59°F	TC	47975	48039	48091	48093	48158	53905	53975	54035	54045	54105	57153	57215	57277	57286	57357
		S/T	0.43	0.51	0.58	0.58	0.66	0.49	0.57	0.65	0.65	0.74	0.51	0.60	0.69	0.69	0.78
		PI	3.27	3.28	3.28	3.28	3.29	3.68	3.68	3.69	3.69	3.69	3.90	3.90	3.91	3.91	3.91
	68°F	TC	47894	47958	48010	48012	48077	53814	53884	53944	53954	54014	57056	57118	57180	57189	57261
		S/T	0.43	0.51	0.58	0.58	0.66	0.49	0.57	0.65	0.65	0.74	0.52	0.61	0.69	0.69	0.79
		PI	3.53	3.54	3.54	3.54	3.55	3.97	3.97	3.98	3.98	3.98	4.21	4.21	4.22	4.22	4.22
	77°F	TC	47813	47877	47929	47931	47996	53723	53793	53853	53863	53923	56960	57022	57084	57093	57164
		S/T	0.45	0.52	0.59	0.59	0.68	0.50	0.59	0.67	0.67	0.76	0.53	0.62	0.71	0.71	0.81
		PI	3.79	3.79	3.80	3.80	3.80	4.26	4.26	4.27	4.27	4.27	4.51	4.52	4.52	4.52	4.53
	80°F	TC	47785	47850	47901	47903	47968	53692	53762	53822	53832	53892	56927	56989	57051	57060	57131
		S/T	0.45	0.53	0.60	0.60	0.69	0.51	0.60	0.68	0.68	0.77	0.54	0.63	0.72	0.72	0.82
		PI	3.88	3.88	3.89	3.89	3.89	4.36	4.36	4.37	4.37	4.37	4.62	4.62	4.63	4.63	4.63
	86°F	TC	46063	46125	46175	46177	46239	51757	51824	51882	51892	51949	54875	54935	54995	55003	55072
		S/T	0.46	0.54	0.61	0.61	0.70	0.51	0.60	0.69	0.69	0.78	0.54	0.64	0.73	0.73	0.83
		PI	4.31	4.32	4.32	4.32	4.33	4.84	4.85	4.85	4.86	4.86	5.13	5.14	5.15	5.15	5.15
	95°F	TC	43453	43512	43559	43561	43619	48825	48888	48943	48952	49006	51767	51823	51879	51887	51952
		S/T	0.46	0.54	0.62	0.62	0.70	0.52	0.61	0.69	0.69	0.79	0.55	0.65	0.74	0.74	0.84
		PI	4.97	4.97	4.98	4.98	4.99	5.58	5.59	5.59	5.60	5.60	5.92	5.92	5.93	5.93	5.94
	104°F	TC	37261	37312	37352	37353	37404	41867	41922	41968	41976	42023	44390	44438	44487	44493	44549
		S/T	0.49	0.57	0.65	0.65	0.74	0.55	0.64	0.73	0.73	0.83	0.58	0.68	0.77	0.77	0.88
		PI	4.41	4.42	4.42	4.42	4.43	4.95	4.96	4.97	4.97	4.97	5.25	5.26	5.26	5.26	5.27
	110°F	TC	33546	33591	33628	33629	33674	37693	37742	37784	37791	37833	39964	40007	40051	40057	40107
		S/T	0.49	0.58	0.66	0.66	0.75	0.55	0.65	0.74	0.74	0.84	0.59	0.69	0.78	0.78	0.89
		PI	4.07	4.08	4.08	4.08	4.09	4.58	4.58	4.59	4.59	4.60	4.85	4.86	4.86	4.87	4.87
115°F	TC	32484	32528	32563	32564	32608	36500	36547	36588	36595	36635	38699	38741	38783	38789	38837	
	S/T	0.49	0.58	0.66	0.66	0.75	0.55	0.65	0.74	0.74	0.84	0.59	0.69	0.78	0.78	0.89	
	PI	4.26	4.27	4.27	4.27	4.28	4.79	4.80	4.80	4.80	4.81	5.08	5.09	5.09	5.09	5.10	
122°F	TC	27374	27411	27441	27442	27479	30758	30798	30832	30838	30872	32611	32647	32682	32687	32728	
	S/T	0.51	0.60	0.68	0.68	0.77	0.57	0.67	0.76	0.76	0.87	0.61	0.71	0.81	0.81	0.92	
	PI	4.02	4.03	4.03	4.03	4.04	4.52	4.53	4.53	4.53	4.54	4.79	4.80	4.80	4.80	4.81	

TC:Total Cooling Capacity (BTU/hr)

S/T:Sensible Cooling Capacity Ratio

PI:Power Input(kW)

60MPHP-HH-SYS Expanded Cooling @ 1,583 CFM

CFM	ODDB	ID WB(°F)	60.8°F					67.0°F					71.6°F				
		ID DB(°F)	73.4°F	77.0°F	80.0°F	80.6°F	84.2°F	73.4°F	77.0°F	80.0°F	80.6°F	84.2°F	73.4°F	77.0°F	80.0°F	80.6°F	84.2°F
1583	50°F	TC	55381	55456	55516	55518	55593	62227	62308	62377	62389	62459	65976	66048	66120	66130	66213
		S/T	0.50	0.58	0.66	0.66	0.75	0.56	0.65	0.74	0.74	0.85	0.59	0.69	0.79	0.79	0.90
		PI	3.48	3.48	3.48	3.48	3.49	3.91	3.91	3.92	3.92	3.92	4.14	4.15	4.15	4.15	4.16
	59°F	TC	55288	55363	55422	55425	55499	62122	62203	62272	62284	62353	65865	65937	66009	66019	66101
		S/T	0.50	0.58	0.66	0.66	0.76	0.56	0.66	0.75	0.75	0.85	0.59	0.70	0.79	0.79	0.90
		PI	3.77	3.78	3.78	3.78	3.79	4.24	4.25	4.25	4.25	4.26	4.49	4.50	4.50	4.51	4.51
	68°F	TC	55195	55269	55329	55331	55406	62018	62098	62167	62179	62248	65754	65826	65897	65908	65990
		S/T	0.50	0.59	0.67	0.67	0.76	0.56	0.66	0.75	0.75	0.86	0.60	0.70	0.80	0.80	0.91
		PI	4.07	4.08	4.08	4.08	4.09	4.57	4.58	4.58	4.58	4.59	4.85	4.85	4.86	4.86	4.87
	77°F	TC	55102	55176	55235	55238	55312	61913	61993	62062	62074	62143	65643	65715	65786	65796	65878
		S/T	0.51	0.60	0.69	0.69	0.78	0.58	0.68	0.77	0.77	0.88	0.61	0.72	0.82	0.82	0.93
		PI	4.37	4.37	4.38	4.38	4.38	4.91	4.91	4.92	4.92	4.92	5.20	5.21	5.21	5.21	5.22
	80°F	TC	55070	55144	55204	55206	55280	61877	61958	62027	62038	62108	65606	65677	65748	65759	65840
		S/T	0.52	0.61	0.69	0.69	0.79	0.59	0.69	0.78	0.78	0.89	0.62	0.73	0.83	0.83	0.94
		PI	4.47	4.47	4.48	4.48	4.48	5.02	5.03	5.03	5.03	5.04	5.32	5.33	5.33	5.33	5.34
	86°F	TC	53085	53157	53214	53216	53288	59647	59725	59791	59802	59869	63241	63310	63379	63388	63467
		S/T	0.53	0.62	0.70	0.70	0.80	0.59	0.70	0.79	0.79	0.90	0.63	0.74	0.84	0.84	0.95
		PI	4.97	4.97	4.98	4.98	4.99	5.58	5.59	5.59	5.60	5.60	5.92	5.92	5.93	5.93	5.94
	95°F	TC	50078	50145	50199	50201	50269	56268	56341	56404	56414	56477	59658	59723	59788	59797	59872
		S/T	0.53	0.63	0.71	0.71	0.81	0.60	0.70	0.80	0.80	0.91	0.64	0.75	0.85	0.85	0.97
		PI	5.72	5.73	5.74	5.74	5.75	6.43	6.44	6.45	6.45	6.46	6.82	6.83	6.83	6.83	6.84
	104°F	TC	42942	43000	43046	43048	43106	48250	48313	48366	48375	48429	51157	51213	51268	51276	51340
		S/T	0.56	0.66	0.75	0.75	0.85	0.63	0.74	0.84	0.84	0.96	0.67	0.78	0.89	0.89	1.00
		PI	5.08	5.09	5.09	5.09	5.10	5.71	5.72	5.72	5.72	5.73	6.05	6.06	6.07	6.07	6.08
	110°F	TC	38660	38712	38754	38756	38808	43439	43495	43544	43552	43601	46056	46106	46157	46164	46221
		S/T	0.57	0.67	0.76	0.76	0.86	0.64	0.75	0.85	0.85	0.97	0.68	0.79	0.90	0.90	1.00
		PI	4.70	4.70	4.71	4.71	4.71	5.28	5.28	5.29	5.29	5.30	5.59	5.60	5.61	5.61	5.61
115°F	TC	37436	37487	37527	37529	37579	42064	42119	42165	42173	42220	44598	44647	44695	44702	44758	
	S/T	0.57	0.67	0.76	0.76	0.86	0.64	0.75	0.85	0.85	0.97	0.68	0.79	0.90	0.90	1.00	
	PI	4.91	4.92	4.93	4.93	4.93	5.52	5.53	5.54	5.54	5.54	5.85	5.86	5.87	5.87	5.88	
122°F	TC	31547	31590	31624	31625	31668	35447	35493	35533	35539	35579	37583	37624	37665	37670	37717	
	S/T	0.59	0.69	0.78	0.78	0.89	0.66	0.77	0.88	0.88	1.00	0.70	0.82	0.93	0.93	1.00	
	PI	4.64	4.64	4.65	4.65	4.65	5.21	5.22	5.22	5.22	5.23	5.52	5.53	5.54	5.54	5.54	

TC:Total Cooling Capacity (BTU/hr)

S/T:Sensible Cooling Capacity Ratio

PI:Power Input(kW)

60MPHP-HH-SYS Expanded Cooling @ 1,805 CFM

CFM	ODDB	ID WB(°F)	60.8°F					67.0°F					71.6°F				
			ID DB(°F)	73.4°F	77.0°F	80.0°F	80.6°F	84.2°F	73.4°F	77.0°F	80.0°F	80.6°F	84.2°F	73.4°F	77.0°F	80.0°F	80.6°F
1805	50°F	TC	62523	62607	62674	62677	62762	70251	70343	70421	70434	70513	74484	74565	74646	74658	74751
		S/T	0.56	0.66	0.75	0.75	0.85	0.63	0.74	0.84	0.84	0.96	0.67	0.78	0.89	0.89	1.00
		PI	3.92	3.93	3.93	3.93	3.94	4.41	4.42	4.42	4.42	4.43	4.68	4.68	4.69	4.69	4.69
	59°F	TC	62418	62502	62569	62572	62656	70133	70224	70302	70315	70394	74359	74440	74521	74532	74625
		S/T	0.56	0.66	0.75	0.75	0.85	0.63	0.74	0.84	0.84	0.96	0.67	0.79	0.89	0.89	1.00
		PI	4.26	4.27	4.27	4.27	4.28	4.79	4.79	4.80	4.80	4.80	5.07	5.08	5.09	5.09	5.09
	68°F	TC	62312	62396	62463	62466	62550	70015	70106	70184	70197	70275	74233	74314	74395	74407	74499
		S/T	0.57	0.66	0.75	0.75	0.86	0.64	0.75	0.85	0.85	0.97	0.67	0.79	0.90	0.90	1.00
		PI	4.59	4.60	4.61	4.61	4.61	5.16	5.17	5.18	5.18	5.18	5.47	5.48	5.49	5.49	5.49
	77°F	TC	62207	62291	62358	62361	62445	69897	69987	70065	70078	70157	74108	74189	74269	74281	74373
		S/T	0.58	0.68	0.77	0.77	0.88	0.65	0.76	0.87	0.87	0.99	0.69	0.81	0.92	0.92	1.00
		PI	4.93	4.94	4.94	4.94	4.95	5.54	5.55	5.55	5.55	5.56	5.87	5.88	5.89	5.89	5.89
	80°F	TC	62171	62255	62322	62325	62409	69856	69947	70025	70038	70116	74065	74146	74227	74238	74331
		S/T	0.59	0.69	0.78	0.78	0.89	0.66	0.77	0.88	0.88	1.00	0.70	0.82	0.93	0.93	1.00
		PI	5.04	5.05	5.06	5.06	5.06	5.67	5.67	5.68	5.68	5.69	6.01	6.02	6.02	6.02	6.03
	86°F	TC	59931	60011	60076	60079	60160	67339	67426	67501	67514	67589	71396	71473	71551	71562	71652
		S/T	0.60	0.70	0.79	0.79	0.90	0.67	0.78	0.89	0.89	1.00	0.71	0.83	0.95	0.95	1.00
		PI	5.61	5.62	5.62	5.62	5.63	6.30	6.31	6.32	6.32	6.32	6.68	6.69	6.69	6.70	6.70
	95°F	TC	56535	56611	56672	56675	56751	63524	63606	63677	63689	63760	67351	67424	67498	67508	67592
		S/T	0.60	0.71	0.80	0.80	0.92	0.68	0.79	0.90	0.90	1.00	0.72	0.84	0.96	0.96	1.00
		PI	6.46	6.47	6.48	6.48	6.49	7.26	7.27	7.28	7.28	7.29	7.70	7.71	7.72	7.72	7.73
	104°F	TC	48479	48544	48597	48599	48664	54472	54542	54603	54613	54674	57754	57817	57879	57888	57961
		S/T	0.63	0.74	0.84	0.84	0.96	0.71	0.83	0.95	0.95	1.00	0.75	0.88	1.00	1.00	1.00
		PI	5.74	5.74	5.75	5.75	5.76	6.45	6.45	6.46	6.46	6.47	6.83	6.84	6.85	6.85	6.86
	110°F	TC	43646	43704	43751	43753	43812	49041	49104	49159	49168	49223	51995	52052	52108	52117	52182
		S/T	0.64	0.75	0.85	0.85	0.97	0.72	0.84	0.96	0.96	1.00	0.75	0.88	1.00	1.00	1.00
		PI	5.30	5.31	5.31	5.31	5.32	5.96	5.96	5.97	5.97	5.98	6.32	6.32	6.33	6.33	6.34
	115°F	TC	42264	42321	42366	42368	42425	47488	47550	47603	47612	47665	50349	50404	50459	50467	50530
		S/T	0.64	0.75	0.85	0.85	0.97	0.72	0.84	0.96	0.96	1.00	0.75	0.88	1.00	1.00	1.00
		PI	5.55	5.56	5.56	5.56	5.57	6.23	6.24	6.25	6.25	6.26	6.61	6.62	6.62	6.62	6.63
122°F	TC	35615	35663	35702	35703	35752	40018	40070	40115	40122	40167	42429	42475	42521	42528	42581	
	S/T	0.66	0.78	0.88	0.88	1.00	0.75	0.87	0.99	0.99	1.00	0.75	0.88	1.00	1.00	1.00	
	PI	5.23	5.24	5.25	5.25	5.25	5.88	5.89	5.90	5.90	5.90	6.24	6.24	6.25	6.25	6.26	

TC:Total Cooling Capacity (BTU/hr)

S/T:Sensible Cooling Capacity Ratio

PI:Power Input(kW)

60MPHP-HH-SYS Expanded Heating @ 1,136 CFM

CFM	HEATING PERFORMANCE AT INDOOR DRY BULB TEMPERATURE										
	OD DB (°F)	TC: Total Heating Capacity(BTU/hr)					PI: Power Input(kW)				
		Indoor Conditions (DB °F)					Indoor Conditions (DB °F)				
		60.8°F	68°F	70°F	71.6°F	75.2°F	60.8°F	68°F	70°F	71.6°F	75.2°F
1136	-22°F	23593	23121	23005	22719	22514	6.32	6.37	6.38	6.39	6.42
	-13°F	34940	34242	34070	32993	32696	6.68	6.73	6.74	6.76	6.78
	-4°F	36032	35311	35135	34023	33717	6.76	6.81	6.83	6.84	6.87
	0°F	38215	37450	37263	36085	35760	6.93	6.98	7.00	7.01	7.04
	5°F	40631	39818	39619	38366	38021	7.17	7.23	7.24	7.26	7.29
	14°F	43651	42778	42564	41218	40847	7.48	7.54	7.55	7.57	7.60
	17°F	49773	48777	48533	46998	46575	7.77	7.83	7.85	7.86	7.89
	22°F	51813	50777	50523	48925	48485	7.87	7.93	7.94	7.96	7.99
	27°F	52408	51360	51103	49486	49041	7.41	7.47	7.49	7.50	7.53
	32°F	53002	51942	51682	50048	49597	6.96	7.02	7.03	7.05	7.08
	35°F	53597	52525	52262	50609	50153	6.51	6.56	6.58	6.59	6.62
	37°F	53953	52874	52610	50946	50487	6.24	6.29	6.30	6.32	6.34
	42°F	52953	51894	51634	50001	49551	5.98	6.03	6.04	6.06	6.08
	44.6°F	52667	51614	51355	49731	49283	5.91	5.96	5.97	5.98	6.00
	47°F	52238	51193	50937	49326	48882	5.71	5.76	5.77	5.78	5.80
	52°F	49626	48634	48390	46860	46438	5.60	5.64	5.65	5.66	5.69
	57°F	47145	46202	45971	44517	44116	5.48	5.53	5.54	5.55	5.57
	59°F	44788	43892	43672	42291	41910	5.37	5.42	5.43	5.44	5.46
62°F	42548	41697	41489	40176	39815	5.27	5.31	5.32	5.33	5.35	
64.4°F	40421	39612	39414	38168	37824	5.16	5.20	5.21	5.22	5.25	

60MPHP-HH-SYS Expanded Heating @ 1,360 CFM

CFM	HEATING PERFORMANCE AT INDOOR DRY BULB TEMPERATURE										
	OD DB (°F)	TC: Total Heating Capacity(BTU/hr)					PI: Power Input(kW)				
		Indoor Conditions (DB °F)					Indoor Conditions (DB °F)				
		60.8°F	68°F	70°F	71.6°F	75.2°F	60.8°F	68°F	70°F	71.6°F	75.2°F
1360	-22°F	27189	26646	26512	26406	26169	6.38	6.43	6.45	6.46	6.48
	-13°F	39485	38695	38502	38348	38003	6.74	6.80	6.81	6.82	6.85
	-4°F	40719	39904	39705	39546	39190	6.83	6.88	6.90	6.91	6.94
	0°F	43185	42322	42110	41942	41564	7.00	7.05	7.07	7.08	7.11
	5°F	45916	44997	44772	44593	44192	7.24	7.30	7.32	7.33	7.36
	14°F	49329	48342	48100	47908	47477	7.55	7.61	7.63	7.64	7.67
	17°F	56247	55122	54846	54627	54135	7.85	7.91	7.93	7.94	7.97
	22°F	58553	57382	57095	56866	56355	7.94	8.01	8.02	8.04	8.07
	27°F	59224	58040	57750	57519	57001	7.49	7.55	7.56	7.58	7.61
	32°F	59896	58698	58405	58171	57648	7.03	7.09	7.10	7.12	7.15
	35°F	60568	59357	59060	58824	58294	6.58	6.63	6.64	6.66	6.68
	37°F	60971	59752	59453	59215	58682	6.30	6.35	6.37	6.38	6.41
	42°F	59840	58643	58350	58117	57594	6.04	6.09	6.10	6.12	6.14
	44.6°F	59517	58327	58035	57803	57283	5.97	6.02	6.03	6.04	6.07
	47°F	59033	57852	57563	57332	56816	5.77	5.81	5.83	5.84	5.86
	52°F	56081	54959	54685	54466	53976	5.65	5.70	5.71	5.72	5.74
	57°F	53277	52211	51950	51743	51277	5.54	5.58	5.60	5.61	5.63
	59°F	50613	49601	49353	49155	48713	5.43	5.47	5.48	5.49	5.52
62°F	48082	47121	46885	46698	46277	5.32	5.36	5.37	5.38	5.41	
64.4°F	45678	44765	44541	44363	43963	5.21	5.26	5.27	5.28	5.30	

60MPHP-HH-SYS Expanded Heating @ 1,583 CFM

CFM	HEATING PERFORMANCE AT INDOOR DRY BULB TEMPERATURE										
	OD DB (°F)	TC: Total Heating Capacity(BTU/hr)					PI: Power Input(kW)				
		Indoor Conditions (DB °F)					Indoor Conditions (DB °F)				
		60.8°F	68°F	70°F	71.6°F	75.2°F	60.8°F	68°F	70°F	71.6°F	75.2°F
1583	-22°F	30726	30111	29961	29841	29572	6.45	6.50	6.51	6.52	6.55
	-13°F	44621	43728	43510	43336	42946	6.81	6.87	6.88	6.89	6.92
	-4°F	46015	45094	44869	44689	44287	6.90	6.95	6.97	6.98	7.01
	0°F	48802	47826	47587	47397	46970	7.07	7.12	7.14	7.15	7.18
	5°F	51888	50850	50596	50393	49940	7.32	7.37	7.39	7.40	7.43
	14°F	55745	54630	54357	54139	53652	7.63	7.69	7.70	7.72	7.75
	17°F	63563	62291	61980	61732	61176	7.93	7.99	8.01	8.02	8.05
	22°F	66169	64845	64521	64263	63684	8.02	8.09	8.11	8.12	8.15
	27°F	66928	65589	65261	65000	64415	7.56	7.63	7.64	7.66	7.69
	32°F	67687	66333	66001	65737	65146	7.10	7.16	7.18	7.19	7.22
	35°F	68446	67077	66742	66475	65876	6.64	6.70	6.71	6.72	6.75
	37°F	68901	67523	67186	66917	66315	6.37	6.42	6.43	6.44	6.47
	42°F	67624	66271	65940	65676	65085	6.10	6.15	6.17	6.18	6.20
	44.6°F	67258	65913	65584	65321	64734	6.03	6.08	6.09	6.10	6.13
	47°F	66711	65377	65050	64790	64206	5.83	5.87	5.89	5.90	5.92
	52°F	63375	62108	61797	61550	60996	5.71	5.76	5.77	5.78	5.80
	57°F	60207	59002	58707	58473	57946	5.60	5.64	5.65	5.66	5.69
	59°F	57196	56052	55772	55549	55049	5.48	5.53	5.54	5.55	5.57
62°F	54336	53250	52983	52772	52297	5.37	5.42	5.43	5.44	5.46	
64.4°F	51620	50587	50334	50133	49682	5.27	5.31	5.32	5.33	5.35	

60MPHP-HH-SYS Expanded Heating @ 1,806 CFM

CFM	HEATING PERFORMANCE AT INDOOR DRY BULB TEMPERATURE										
	OD DB (°F)	TC: Total Heating Capacity(BTU/hr)					PI: Power Input(kW)				
		Indoor Conditions (DB °F)					Indoor Conditions (DB °F)				
		60.8°F	68°F	70°F	71.6°F	75.2°F	60.8°F	68°F	70°F	71.6°F	75.2°F
1806	-22°F	34014	33334	33167	33035	32737	6.51	6.56	6.58	6.59	6.62
	-13°F	49397	48409	48167	47974	47542	6.88	6.94	6.95	6.96	6.99
	-4°F	50940	49921	49671	49473	49027	6.97	7.02	7.04	7.05	7.08
	0°F	54026	52945	52680	52470	51997	7.14	7.20	7.21	7.22	7.25
	5°F	57441	56292	56011	55787	55285	7.39	7.45	7.46	7.48	7.51
	14°F	61711	60477	60174	59934	59394	7.70	7.77	7.78	7.80	7.83
	17°F	70366	68958	68613	68339	67724	8.01	8.07	8.09	8.10	8.14
	22°F	73250	71785	71427	71141	70501	8.11	8.17	8.19	8.20	8.24
	27°F	74091	72609	72246	71957	71309	7.64	7.70	7.72	7.73	7.76
	32°F	74931	73433	73065	72773	72118	7.18	7.23	7.25	7.26	7.29
	35°F	75772	74256	73885	73589	72927	6.71	6.77	6.78	6.79	6.82
	37°F	76276	74750	74377	74079	73412	6.43	6.48	6.50	6.51	6.54
	42°F	74861	73364	72997	72705	72051	6.17	6.22	6.23	6.24	6.27
	44.6°F	74457	72968	72603	72313	71662	6.09	6.14	6.15	6.16	6.19
	47°F	73851	72374	72012	71724	71078	5.89	5.93	5.94	5.96	5.98
	52°F	70158	68755	68411	68138	67525	5.77	5.81	5.83	5.84	5.86
	57°F	66650	65317	64991	64731	64148	5.65	5.70	5.71	5.72	5.74
59°F	63318	62052	61741	61494	60941	5.54	5.58	5.59	5.61	5.63	
62°F	60152	58949	58654	58420	57894	5.43	5.47	5.48	5.49	5.52	
64.4°F	57144	56002	55722	55499	54999	5.32	5.36	5.37	5.38	5.41	

TC:Total Cooling Capacity (BTU/hr)

S/T:Sensible Cooling Capacity Ratio

PI:Power Input(kW)

Control Options

Thermostats

Part Number	Description
MMT4522-001	24V 2H/1C Programmable Thermostat with Occupancy Sensor Input and Standard Display.
MMT8532-002	24V 2H/1C Programmable Thermostat with Occupancy Sensor Input and Deluxe Display.
MMT8532OCC-1	24V 2H/1C Programmable Thermostat with Built-In Occupancy Sensor and Deluxe Display.
MMW-1	24V 2H/1C Non-Programmable Wireless Thermostat.

The MPHP-SYS includes a factory installed 24V control board, in the outdoor heat pump, and can be used with most standard 24V thermostats.



MMT4522-001



MMT8532-002



MMW-1



Wired Wall Controllers and IR Controller

Part Number	Description
SWC120LR	Standard wired wall controller with operation mode control, timer and fan speed functions.
WIFI-DWC120X2	Deluxe wired wall controller with WFI and app, with programmable weekly timer, auto-restart, child lock, Turbo function, follow me function and more. The WIFI-DWC120X2 also functions as a receiver for the MWRC remote controller.
MWRC2	Wireless infrared remote controller with timer, sleep function, follow me and turbo function. Internal functions, such as setting airflow, can be made with this remote controller, as well.



SWC120LR
Standard Wired
Wall Controller



WIFI-DWC120X2
WIFI Deluxe Wired



MWRC2
Wireless Remote

Unit Options

Field Install Electric Heater Kits

Part Number	Air Handler Model	Heater Size kW
EAH-03B(UL)	18MPPH	3
EAH-05B(UL)		5
EAH-08B(UL)		8
EAH-10B(UL)		10
EAH-05B(UL)	24MPPH	5
EAH-08B(UL)		8
EAH-10B(UL)		10
EAH-15B(UL)		15
EAH-05B(UL)	30MPPH	5
EAH-08B(UL)		8
EAH-10B(UL)		10
EAH-15B(UL)		15
EAH-05B(UL)	36MPPH	5
EAH-08B(UL)		8
EAH-10B(UL)		10
EAH-15B(UL)		15
EAH-20B(UL)		20
EAH-08B(UL)	48MPPH	8
EAH-10B(UL)		10
EAH-15B(UL)		15
EAH-20B(UL)		20
EAH-10B(UL)	60MPPH	10
EAH-15B(UL)		15
EAH-20B(UL)		20



Part Number	Qty Circuit Breakers	Qty Relays	Qty Power Cord Groups	Qty Power Cord Grounding Screws
EAH-03B(UL)	1	1	2	2
EAH-05B(UL)	1	1	2	2
EAH-08B(UL)	1	2	2	2
EAH-10B(UL)	1	2	2	2
EAH-15B(UL)	2	3	3	3
EAH-20B(UL)	2	4	3	3

Electric Heater Kits include Manual, 1 ea. Sealing Foam, 7 ea. Screws, 1 ea. Rubber Cap, Wiring Diagram and Air Switch Label.

Wiring





2480 Grand Avenue

Vista, CA 92081

Phone (760) 670-3005

Fax (760) 670-3307

www.multimfg-usa.com