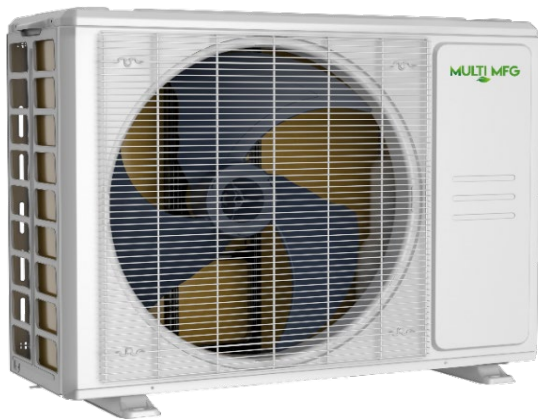




MUC-HE

High Efficiency

Wall Mount / Wall Recessed System



High Efficiency Inverter System

1.50 Ton - 3.00 Ton



The MUC-HE is an upflow air handler that can be installed on platform in a closet, hung on a closet wall or recessed in a wall between studs. This air handler is designed to match with the HES side discharge inverter high efficiency outdoor heat pump.

Typical installations for the MUC-HE include:

- Apartments
- Condominiums
- Independent Care Facilities
- Pre Manufactured Homes
- Single Family Home Additic
- Modular Buildings
- Student Housing
- Offices
- Stores



Features

Highly Efficient / High Performance

- Highly Efficient Inverter Compressor
- Air Handler Constant Torque EC Blower Motor, with Available ESP up to 0.80" WC
- Low Amp Draw DC motor in Outdoor HP

Quiet Operation, Inside and Outside

- Low Sone EC motor in MUC Air Handler
- Quiet Inverter Compressor in Outdoor Heat Pump, with low Sound Levels

Heating at Low Ambient Conditions

- Standard Base Pan Heaters
- Field Install Auxiliary Electric Strip Heat Kits

Fresh Air

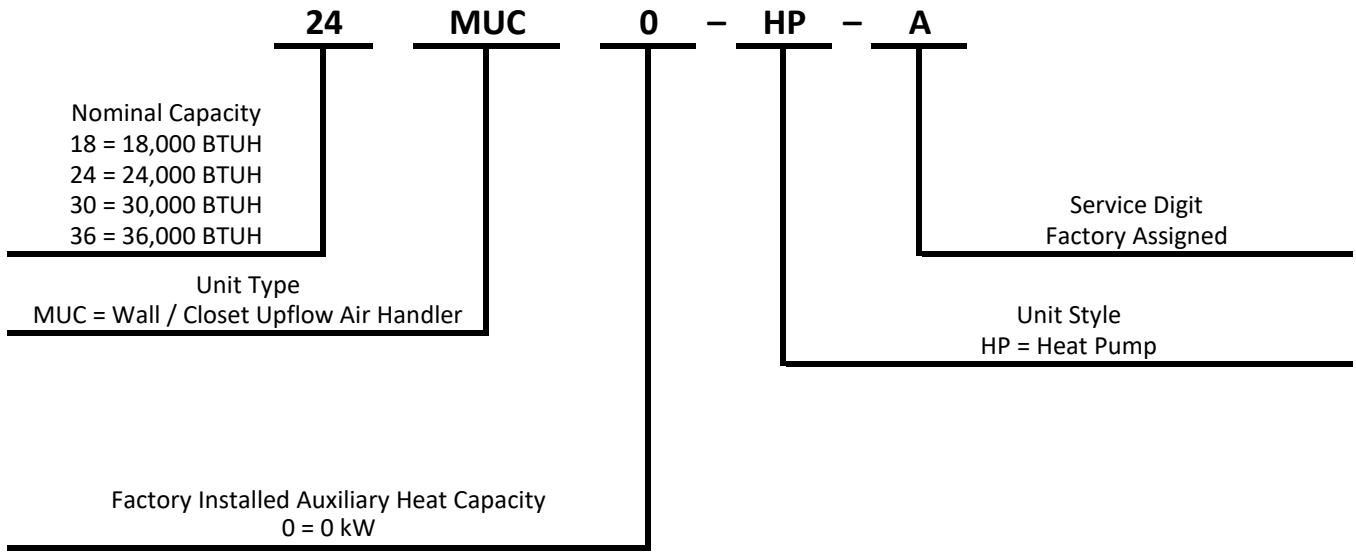
- Optional Field Install OSA Fan-Assisted Fresh Air Package is available

Design

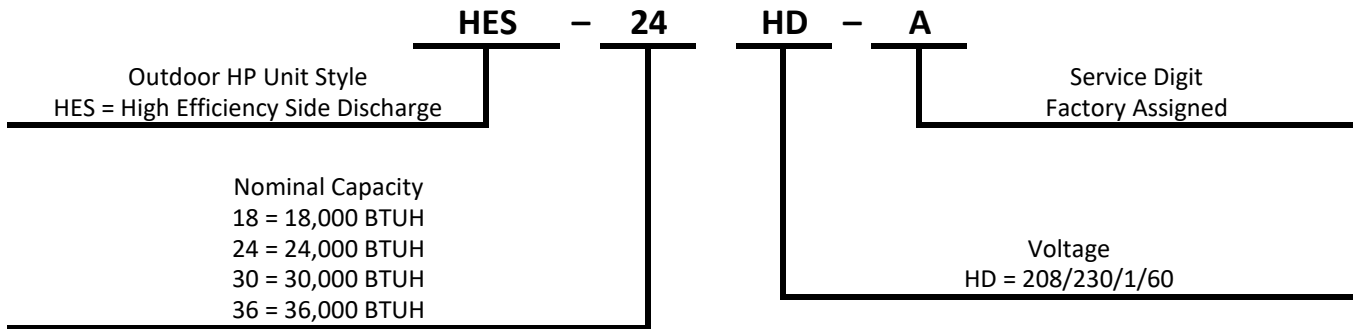
- Standard Front Return Air or Field Convertible to Bottom Return
- Automatic Restart Function
- 24V Control Board with High, Medium and Low Motor Speed Taps
- Liquid Line Service Port
- Pre-Coated Fins on Evaporator and Condenser Coils

Nomenclature

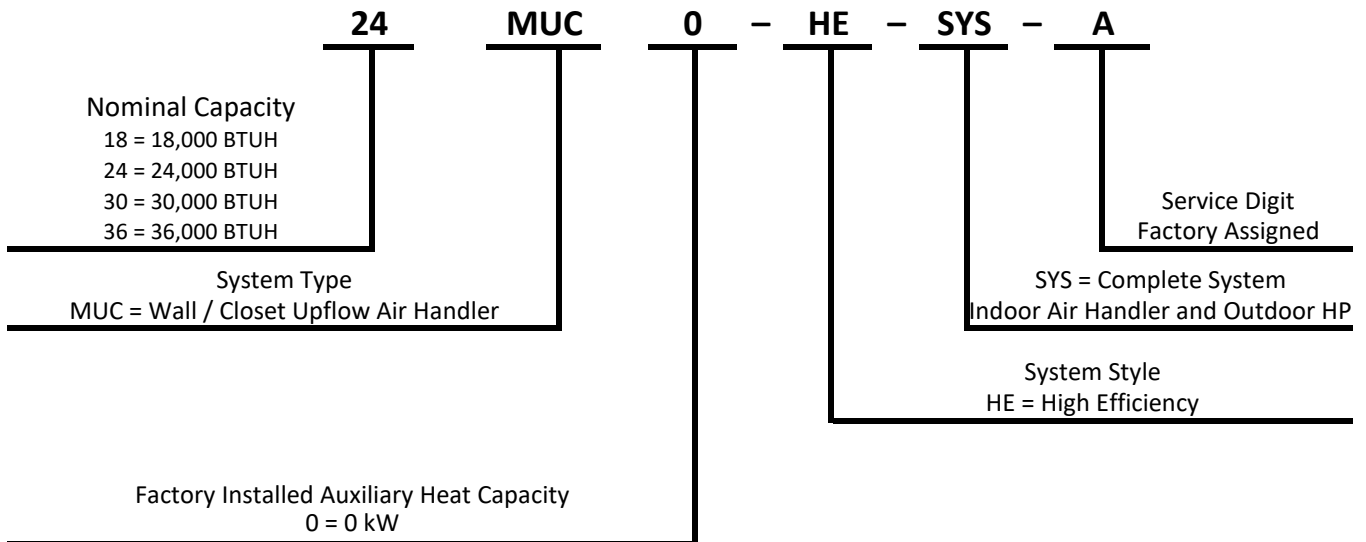
Indoor Unit



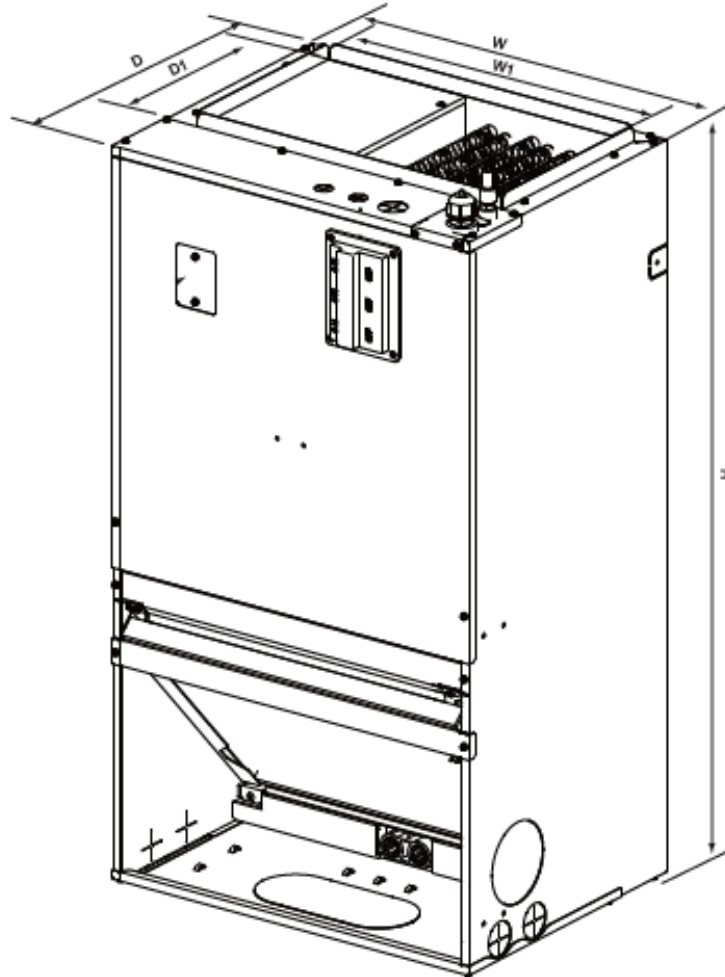
Outdoor Unit



System



Dimensional Data



Unit	Height (H)	Width (W)	Depth (D)	Supply Width (W1)	Supply Depth (D1)	Filter Size	Weight (lbs)
18MUC*	36.5	20.3	15.7	17.5	10.5	14 x 18 x 1	89
24MUC*	36.5	20.3	15.7	17.5	10.5	14 x 18 x 1	89
30MUC*	40.8	22.0	19.0	18.8	9.3	20 x 20 x 1	109
36MUC*	40.8	22.0	19.0	18.8	9.3	20 x 20 x 1	109

Dimensions shown are in Inches

HES

1.5 ton - 2.0 ton Heat Pump Outdoor Unit

Dimensional Data

Figure 1

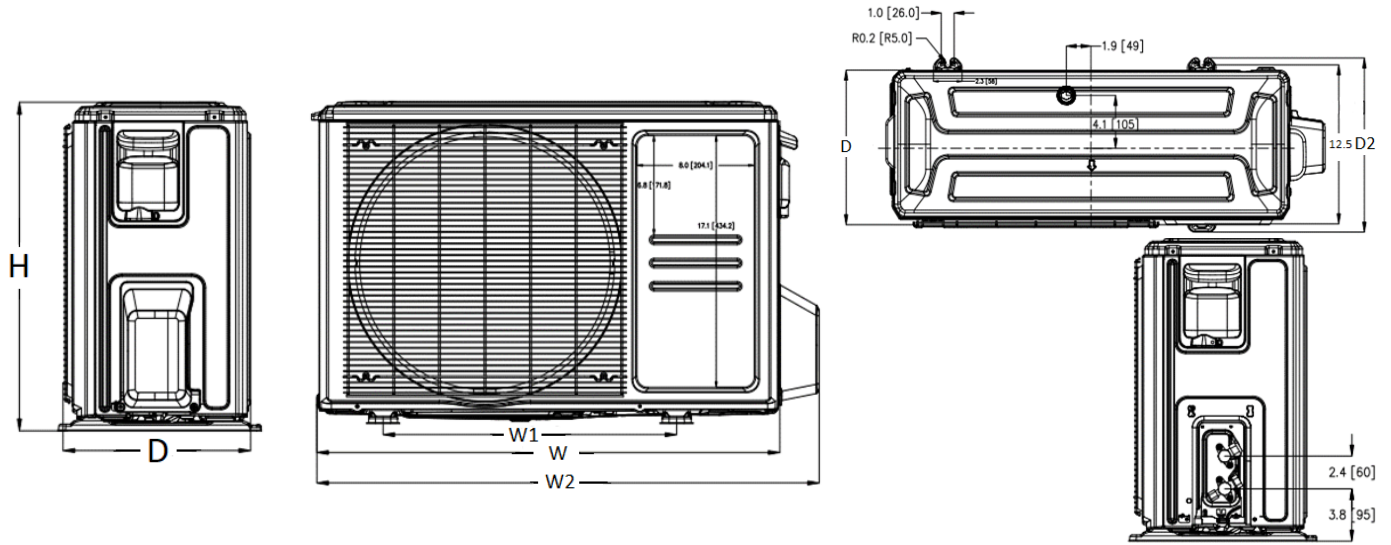
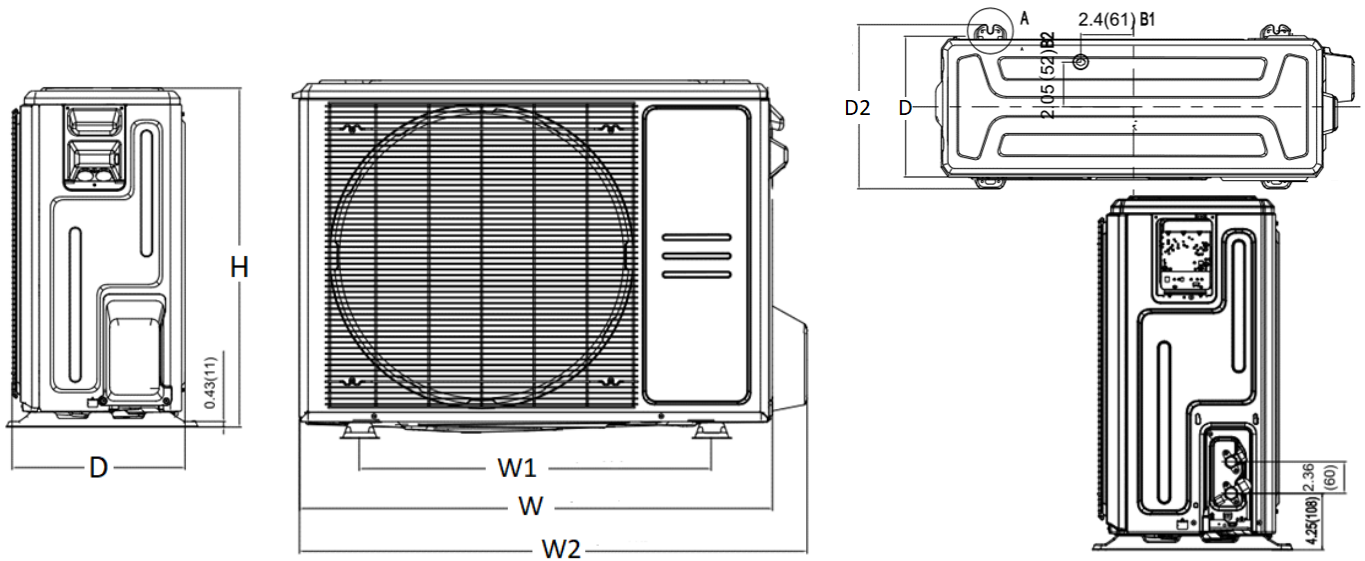


Figure 2

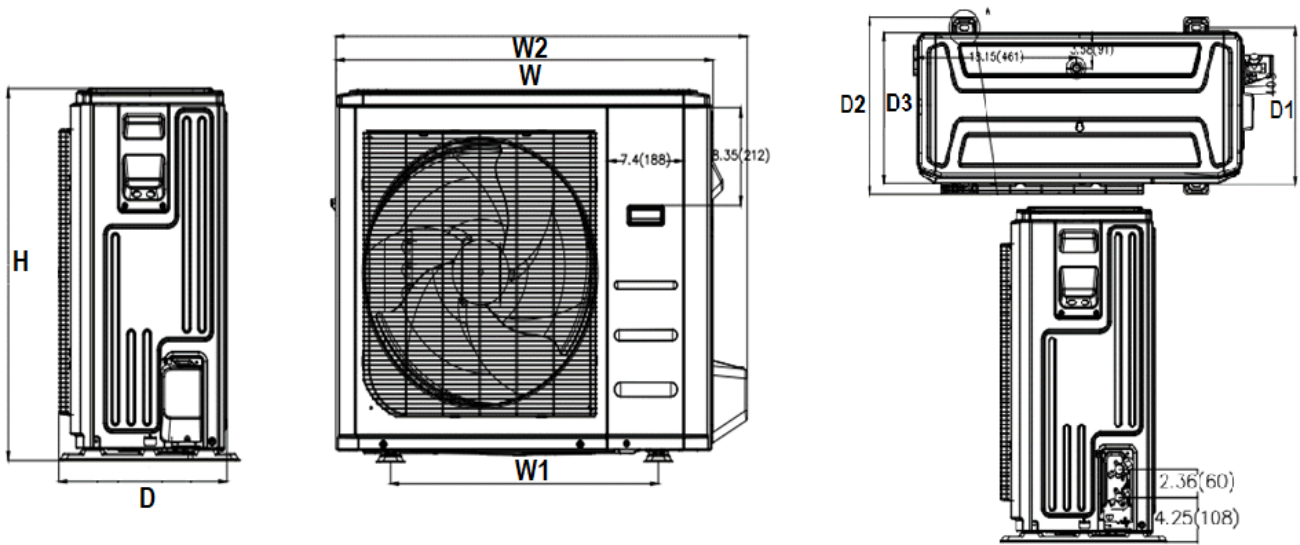


Unit	Figure	Unit Width (W)	Unit Width w/Elec (W2)	Unit Height (H)	Unit Depth (D)	Bracket Width (W1)	Bracket Depth (D2)	Weight (lbs)
HES-18HD-A	1	31.69	34.40	21.81	12.99	20.10	13.60	75.84
HES-24HD-A	2	35.04	37.60	26.50	13.46	26.10	14.95	102.29

Dimensions shown are in Inches

Dimensional Data

Figure 3



Unit	Figure	Unit Width (W)	Unit Width w/Elec (W2)	Unit Height (H)	Unit Depth (D)	Bracket Width (W1)	Bracket Depth (D2)	Weight (lbs)
HES-30HD-A	3	37.24	40.55	31.89	16.14	26.50	15.90	141.76
HES-36HD-A	3	37.24	40.55	31.89	16.14	26.50	15.90	151.68

Dimensions shown are in Inches

Wall-Mount Air Handler Blower Performance (CFM Dry coil without Filter or Electric Heat)

Model	Speed	External Static Pressure(in.w.c.)				
	Electrical	0	0.2	0.3	0.5	0.8
18MUC*	Turbo	625	625	625	625	625
	Watts	82.6	108.3	121.3	152.1	196.3
	High	584	584	584	584	584
	Watts	70.7	99.6	104.5	132.3	181.3
	Med-High	536	536	536	536	536
	Watts	59.4	78.8	92.5	121.3	166.2
	Low	494	494	494	494	494
24MUC*	Watts	50.6	75.3	104.5	110.4	152.3
	Turbo	833	833	833	833	833
	Watts	161	183	196	243	316
	High	768	768	768	768	768
	Watts	139.8	162	184	212.2	262.3
	Med-Low	702	702	702	702	702
	Watts	110.8	142.8	175.5	208.3	225.3
30MUC*	Low	625	625	625	625	625
	Watts	82.6	108.3	121.3	152.1	196.3
	Turbo	995	995	995	995	995
	Watts	131	183	200.5	245.2	341
	High	912	912	912	912	912
	Watts	99.6	152.4	172.8	206.7	300
	Med-Low	806	806	806	806	806
36MUC*	Watts	76.6	118.8	134.1	175.7	256.2
	Low	706	706	706	706	706
	Watts	54.9	93.8	112.1	153.1	216.2
	Turbo	1202	1202	1202	1202	1202
	Watts	181	259	279.4	337.3	441
	High	1083	1083	1083	1083	1083
	Watts	155.7	218.4	238.3	291.5	385
36MUC*	Med-Low	971	971	971	971	971
	Watts	119.9	171.5	190.3	233.6	326
	Low	865	865	865	865	865
	Watts	88	135	152	196.4	277.5

MUC-HE-SYS

1.5 ton - 3.0 ton High Efficiency Systems

System Specifications

System Model			18MUC*-HE-SYS	24MUC*-HE-SYS	30MUC*-HE-SYS	36MUC*-HE-SYS
Indoor Model			18MUC*-HP-A	24MUC*-HP-A	30MUC*-HP-A	36MUC*-HP-A
Outdoor Model			HES-18HD-A	HES-24HD-A	HES-30HD-A	HES-36HD-A
Rated Cooling Capacity	BTU/H		18,000	24,000	30,000	35,000
Cooling Capacity Range (Minimum - Maximum)	BTU/H		5,200 ~ 20,000	9,000 ~ 27,200	10,800 ~ 34,000	10,000 ~ 36,000
SEER2			17.00	17.00	18.00	16.90
EER2			10.7	10.5	10.8	10.0
Rated Heating Capacity at 47°F	BTU/H		18,000	26,000	31,000	36,000
Rated Heating Capacity at 17°F	BTU/H		12,500	19,500	18,200	21,800
Rated Heating Capacity at 5°F	BTU/H		10,500	19,400	18,100	21,500
Rated Heating Capacity at -4°F	BTU/H		7,800	15,200	15,700	19,800
Rated Heating Capacity at -13°F	BTU/H		6,300	13,000	12,200	15,600
Heating Capacity Range (Minimum - Maximum)	BTU/H		3,900 ~ 18,300	7,000 ~ 34,000	7,000 ~ 32,000	8,500 ~ 36,600
HSPF2			8.8	10.2	8.2	8.2
COP at 47°F	W/W		3.5	3.7	3.2	3.2
Room Temperature	Cooling	°F	60 ~ 90	60 ~ 90	60 ~ 90	60 ~ 90
	Heating	°F	32 ~ 86	32 ~ 86	32 ~ 86	32 ~ 86
Operation Temperature	Cooling	°F	5 ~ 122	5 ~ 122	5 ~ 122	5 ~ 122
	Heating	°F	-13 ~ 75	-13 ~ 75	-13 ~ 75	-13 ~ 75

* in the System Model and Indoor Model refers to the electric strip heat



1.5 ton - 3.0 ton High Efficiency Heat Pump Outdoor Units

Electrical and Piping Data

Model		HES-18HD-A	HES-24HD-A	HES-30HD-A	HES-36HD-A
Power Supply	V/Hz/Ph	208/230/60/1			
Compressor	Type	Inverter			
Packaging	H x W x D	24.2 x 36.0 x 14.6	29.1 x 39.2 x 15.6	34.8 x 42.9 x 19.7	34.8 x 42.9 x 19.7
Packaged Weight	Lbs	76	103	142	152
Noise Level	dB(A)	52	60	59.5	60
Liquid - Suction	Inch	3/8 - 3/4	3/8 - 3/4	3/8 - 3/4	3/8 - 3/4
Max Lineset Length	Feet	98	164	164	213
Max Lineset Vertical Lift	Feet	66	82	82	98
Refrigerant		R410a	R410a	R410a	R410a
Refrigerant Precharge	Oz	56.44	74.08	107.59	130.51
Refrigerant Precharge	Feet	25	25	25	25
Additional Charge Per Foot	Oz	0.69	0.69	0.69	0.69
Design Pressure	Psi	550	550	550	550
Indoor Operating Range	Cooling DB Min / Max	60°F / 90°F	60°F / 90°F	60°F / 90°F	60°F / 90°F
	Heating DB Min / Max	32°F / 86°F	32°F / 86°F	32°F / 86°F	32°F / 86°F
Outdoor Operating Range	Cooling DB Min / Max	5°F / 122°F	5°F / 122°F	5°F / 122°F	5°F / 122°F
	Heating DB Min / Max	-13°F / 75°F	-13°F / 75°F	-13°F / 75°F	-13°F / 75°F

Systems with Indoor Air Handler Powered by Outdoor Heat Pump

Unit	V / PH	Oper Volts		Compressor	Fan	MCA	Max Fuse
		Max	Min	Input (W)	Input (W)		
HES-18HD-A	208/230/1	253	187	1085	100	16.0	20.0
HES-24HD-A		253	187	1945	88	19.0	30.0
HES-30HD-A		253	187	2080	150	20.0	35.0
HES-36HD-A		253	187	2080	150	24.0	40.0

MCA - Minimum Circuit Ampacity

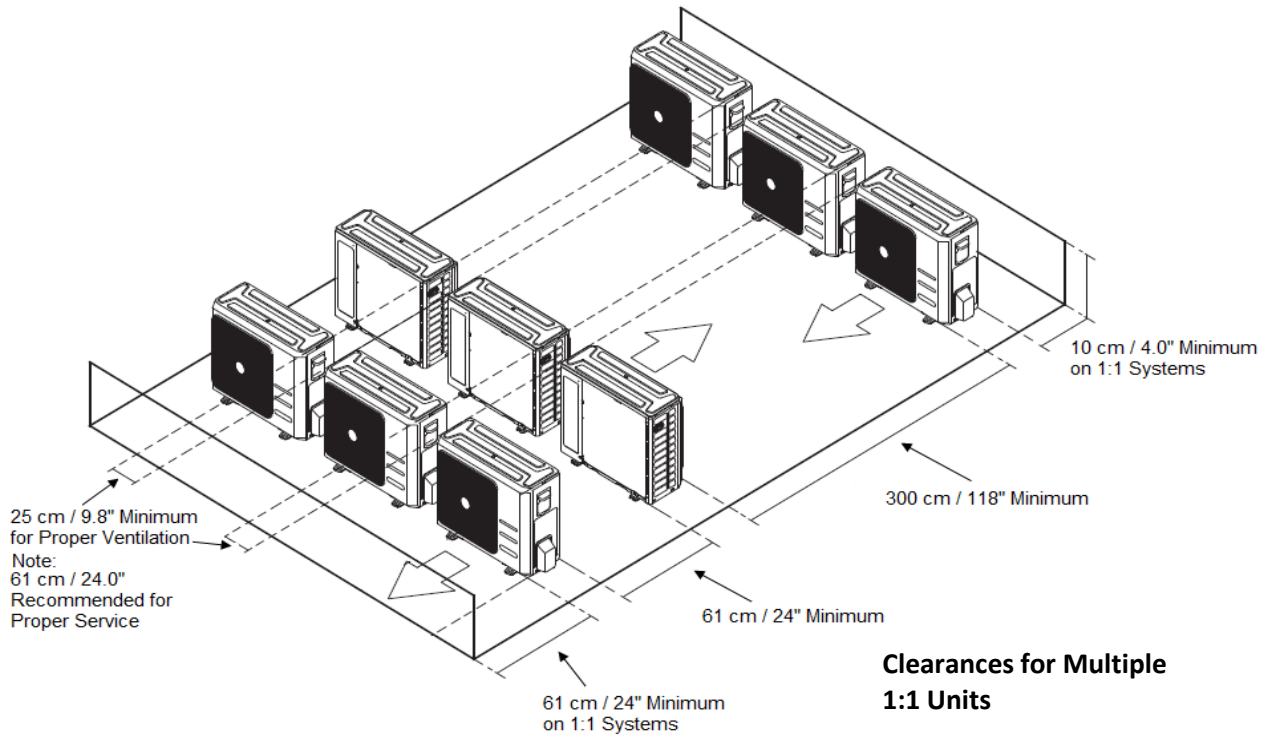
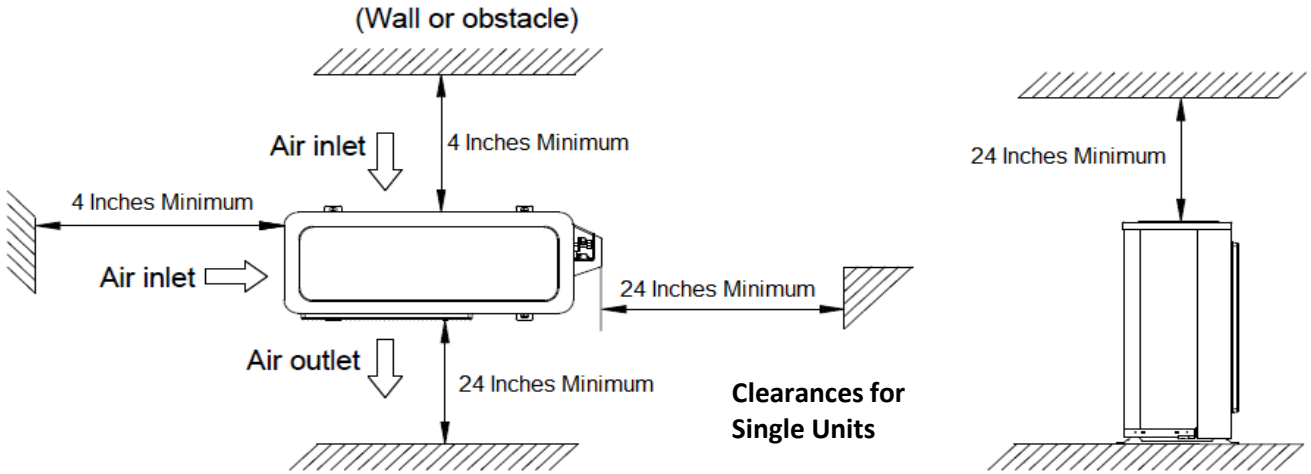
Systems with Outdoor Heat Pump and Indoor Fan Coil with Individual Power Supply

Outdoor Heat Pump				Indoor Fan Coil		
Model	V / PH	MCA	Max Fuse	Model	MCA	Max Fuse
HES-18HD-A	208/230/1	14.1	20.0	18MUC0-HP-A	4.5	15.0
HES-24HD-A		15.9	25.0	24MUC0-HP-A	4.5	15.0
HES-30HD-A		17.2	30.0	30MUC0-HP-A	6.5	15.0
HES-36HD-A		21.1	30.0	36MUC0-HP-A	6.5	15.0

MCA - Minimum Circuit Ampacity

Clearances

HES Outdoor Units



MUC-HE-SYS

System Performance

High Efficiency Systems								
System	Indoor Fan Coil	Outdoor HP	SEER2	EER2	HSPF2	BTU Cooling	BTU Heating	AHRI Reference Number
18MUC*-HE-SYS-A	18MUC*-HP-A	HES-18HD-A	17.00	10.7	8.8	18,000	18,000	231186549
24MUC*-HE-SYS-A	24MUC*-HP-A	HES-24HD-A	17.00	10.5	10.2	24,000	26,000	213614245
30MUC*-HE-SYS-A	30MUC*-HP-A	HES-30HD-A	18.00	10.8	8.2	30,000	31,000	213386550
36MUC*-HE-SYS-A	36MUC*-HP-A	HES-36HD-A	16.90	10.0	8.0	35,000	36,000	231186551

Heating at Various Temperatures					
System	BTU Heating at 47° F per M1 in AHRI	BTU Heating at 17° F per M1 in AHRI	BTU Heating at 5° F per M1 in AHRI	BTU Heating at -4° F per M1 in AHRI	BTU Heating at -13° F per M1 in AHRI
18MUC*-HE-SYS-A	18,000	11,500	10,500	7,800	6,300
24MUC*-HE-SYS-A	26,000	19,500	19,400	15,200	13,000
30MUC*-HE-SYS-A	31,000	18,200	18,100	15,700	12,200
36MUC*-HE-SYS-A	36,000	19,000	21,500	19,800	15,600

Air Handler Noise Level (dBA)

Air Handler	dBA High
18MUC*-HP-A	52
24MUC*-HP-A	54
30MUC*-HP-A	53
36MUC*-HP-A	58



Outdoor Heat Pump Noise Level

Heat Pump	dBA
HES-18HD-A	55
HES-24HD-A	58
HES-30HD-A	63
HES-36HD-A	63



18MUC0-HE-SYS-A Expanded Cooling @ 488 CFM

CFM	OD DB (°F)	ID WB(°F)	60.8°F					66.2°F					71.6°F				
		ID DB(°F)	73.4°F	77.0°F	80.0°F	80.6°F	84.2°F	73.4°F	77.0°F	80.0°F	80.6°F	84.2°F	73.4°F	77.0°F	80.0°F	80.6°F	84.2°F
488	50°F	TC	14535	14555	14571	14571	14591	16332	16353	16372	16375	16393	17316	17335	17354	17357	17378
		S/T	0.44	0.52	0.59	0.59	0.67	0.50	0.58	0.66	0.66	0.75	0.52	0.62	0.70	0.70	0.80
		PI	1.19	1.19	1.19	1.19	1.20	1.34	1.34	1.34	1.34	1.34	1.42	1.42	1.42	1.42	1.42
	59°F	TC	14860	14880	14896	14897	14917	16697	16719	16737	16740	16759	17703	17722	17742	17744	17766
		S/T	0.44	0.52	0.59	0.59	0.67	0.50	0.58	0.66	0.66	0.76	0.53	0.62	0.70	0.70	0.80
		PI	1.10	1.10	1.10	1.10	1.10	1.24	1.24	1.24	1.24	1.24	1.31	1.31	1.31	1.31	1.31
	68°F	TC	15185	15205	15222	15222	15243	17062	17084	17103	17106	17125	18090	18110	18129	18132	18155
		S/T	0.45	0.53	0.61	0.61	0.69	0.51	0.60	0.68	0.68	0.78	0.54	0.64	0.72	0.72	0.82
		PI	1.01	1.01	1.01	1.01	1.01	1.13	1.14	1.14	1.14	1.14	1.20	1.20	1.20	1.20	1.21
	77°F	TC	15510	15530	15547	15548	15569	17427	17449	17469	17472	17492	18477	18497	18517	18520	18543
		S/T	0.46	0.54	0.61	0.61	0.70	0.52	0.61	0.69	0.69	0.79	0.55	0.64	0.73	0.73	0.83
		PI	0.92	0.92	0.92	0.92	0.92	1.03	1.03	1.03	1.03	1.04	1.09	1.10	1.10	1.10	1.10
	82°F	TC	15620	15641	15658	15658	15680	17551	17574	17593	17596	17616	18608	18628	18649	18652	18675
		S/T	0.47	0.55	0.62	0.62	0.71	0.52	0.62	0.70	0.70	0.80	0.56	0.65	0.74	0.74	0.84
		PI	0.89	0.89	0.89	0.89	0.89	1.00	1.00	1.00	1.00	1.00	1.06	1.06	1.06	1.06	1.06
	86°F	TC	15663	15684	15701	15701	15722	17599	17621	17641	17644	17664	18659	18679	18700	18702	18726
		S/T	0.47	0.55	0.63	0.63	0.72	0.53	0.62	0.71	0.71	0.81	0.56	0.66	0.75	0.75	0.86
		PI	1.14	1.14	1.14	1.14	1.14	1.28	1.28	1.28	1.28	1.28	1.36	1.36	1.36	1.36	1.36
	95°F	TC	15727	15748	15765	15766	15787	17671	17694	17714	17717	17737	18736	18756	18777	18780	18803
		S/T	0.47	0.55	0.63	0.63	0.72	0.53	0.62	0.71	0.71	0.81	0.56	0.66	0.75	0.75	0.86
		PI	1.52	1.52	1.52	1.52	1.52	1.71	1.71	1.71	1.71	1.71	1.81	1.81	1.81	1.81	1.82
	104°F	TC	12326	12343	12356	12356	12373	13850	13868	13883	13886	13901	14684	14700	14716	14718	14737
		S/T	0.48	0.57	0.65	0.65	0.74	0.54	0.64	0.73	0.73	0.83	0.58	0.68	0.77	0.77	0.88
		PI	1.40	1.40	1.40	1.40	1.40	1.57	1.57	1.57	1.57	1.57	1.66	1.67	1.67	1.67	1.67
	109°F	TC	10285	10299	10310	10311	10325	11557	11572	11585	11587	11600	12253	12266	12280	12282	12297
		S/T	0.50	0.59	0.67	0.67	0.76	0.56	0.66	0.75	0.75	0.86	0.60	0.70	0.80	0.80	0.91
		PI	1.32	1.32	1.33	1.33	1.33	1.49	1.49	1.49	1.49	1.49	1.58	1.58	1.58	1.58	1.58
	115°F	TC	9592	9605	9615	9615	9628	10777	10791	10803	10805	10817	11427	11439	11452	11453	11468
		S/T	0.51	0.60	0.68	0.68	0.77	0.57	0.67	0.76	0.76	0.87	0.60	0.71	0.81	0.81	0.92
		PI	1.35	1.35	1.35	1.35	1.35	1.52	1.52	1.52	1.52	1.52	1.61	1.61	1.61	1.61	1.61
122°F	TC	8667	8678	8688	8688	8700	9738	9751	9762	9763	9774	10325	10336	10347	10349	10362	
	S/T	0.52	0.61	0.69	0.69	0.79	0.58	0.69	0.78	0.78	0.89	0.62	0.73	0.83	0.83	0.94	
	PI	1.38	1.38	1.39	1.39	1.39	1.55	1.56	1.56	1.56	1.56	1.65	1.65	1.65	1.65	1.65	

TC:Total Cooling Capacity (BTU/hr)

S/T:Sensible Cooling Capacity Ratio

PI:Power Input(kW)

18MUC0-HE-SYS-A Expanded Cooling @ 529 CFM

CFM	OD DB (°F)	ID WB(°F)	60.8°F					66.2°F					71.6°F				
			ID DB(°F)	73.4°F	77.0°F	80.0°F	80.6°F	84.2°F	73.4°F	77.0°F	80.0°F	80.6°F	84.2°F	73.4°F	77.0°F	80.0°F	80.6°F
529	50°F	TC	15141	15162	15178	15179	15199	17013	17035	17054	17057	17076	18038	18057	18077	18080	18102
		S/T	0.46	0.54	0.61	0.61	0.70	0.52	0.61	0.69	0.69	0.78	0.55	0.64	0.73	0.73	0.83
		PI	1.24	1.24	1.24	1.24	1.24	1.39	1.40	1.40	1.40	1.40	1.48	1.48	1.48	1.48	1.48
	59°F	TC	15479	15500	15517	15518	15538	17393	17415	17435	17438	17457	18441	18461	18481	18484	18507
		S/T	0.46	0.54	0.62	0.62	0.70	0.52	0.61	0.69	0.69	0.79	0.55	0.64	0.73	0.73	0.84
		PI	1.15	1.15	1.15	1.15	1.15	1.29	1.29	1.29	1.29	1.29	1.36	1.37	1.37	1.37	1.37
	68°F	TC	15818	15839	15856	15857	15878	17773	17796	17816	17819	17839	18844	18864	18885	18888	18911
		S/T	0.47	0.56	0.63	0.63	0.72	0.53	0.62	0.71	0.71	0.81	0.56	0.66	0.75	0.75	0.86
		PI	1.05	1.05	1.05	1.05	1.06	1.18	1.18	1.18	1.18	1.19	1.25	1.25	1.25	1.26	1.26
	77°F	TC	16156	16178	16195	16196	16217	18153	18176	18197	18200	18220	19247	19267	19288	19291	19315
		S/T	0.48	0.56	0.64	0.64	0.73	0.54	0.63	0.72	0.72	0.82	0.57	0.67	0.76	0.76	0.87
		PI	0.96	0.96	0.96	0.96	0.96	1.07	1.08	1.08	1.08	1.08	1.14	1.14	1.14	1.14	1.14
	82°F	TC	16271	16293	16310	16311	16333	18282	18306	18326	18330	18350	19384	19405	19426	19429	19453
		S/T	0.49	0.57	0.65	0.65	0.74	0.55	0.64	0.73	0.73	0.83	0.58	0.68	0.77	0.77	0.88
		PI	0.92	0.93	0.93	0.93	0.93	1.04	1.04	1.04	1.04	1.04	1.10	1.10	1.10	1.10	1.11
	86°F	TC	16315	16337	16355	16355	16377	18332	18356	18376	18380	18400	19436	19458	19479	19482	19506
		S/T	0.49	0.58	0.66	0.66	0.75	0.55	0.65	0.74	0.74	0.84	0.59	0.69	0.78	0.78	0.89
		PI	1.19	1.19	1.19	1.19	1.19	1.33	1.33	1.34	1.34	1.34	1.41	1.41	1.42	1.42	1.42
	95°F	TC	16382	16404	16422	16423	16445	18407	18431	18452	18455	18476	19517	19538	19559	19562	19586
		S/T	0.49	0.58	0.66	0.66	0.75	0.55	0.65	0.74	0.74	0.84	0.59	0.69	0.78	0.78	0.89
		PI	1.58	1.58	1.59	1.59	1.59	1.78	1.78	1.78	1.78	1.78	1.88	1.89	1.89	1.89	1.89
	104°F	TC	12840	12857	12871	12871	12889	14427	14445	14462	14464	14480	15296	15313	15329	15332	15351
		S/T	0.50	0.59	0.67	0.67	0.77	0.57	0.67	0.76	0.76	0.86	0.60	0.70	0.80	0.80	0.91
		PI	1.45	1.46	1.46	1.46	1.46	1.63	1.64	1.64	1.64	1.64	1.73	1.73	1.74	1.74	1.74
109°F	TC	10714	10728	10740	10740	10755	12038	12054	12067	12070	12083	12764	12777	12791	12793	12809	
	S/T	0.52	0.61	0.70	0.70	0.79	0.59	0.69	0.78	0.78	0.89	0.62	0.73	0.83	0.83	0.95	
	PI	1.38	1.38	1.38	1.38	1.38	1.55	1.55	1.55	1.55	1.55	1.64	1.64	1.65	1.65	1.65	
115°F	TC	9991	10005	10016	10016	10030	11226	11241	11253	11256	11268	11903	11916	11929	11931	11945	
	S/T	0.53	0.62	0.71	0.71	0.80	0.59	0.70	0.79	0.79	0.90	0.63	0.74	0.84	0.84	0.96	
	PI	1.40	1.41	1.41	1.41	1.41	1.58	1.58	1.58	1.58	1.58	1.67	1.68	1.68	1.68	1.68	
122°F	TC	9028	9040	9050	9050	9062	10144	10157	10168	10170	10182	10755	10767	10778	10780	10794	
	S/T	0.54	0.64	0.72	0.72	0.82	0.61	0.71	0.81	0.81	0.92	0.64	0.76	0.86	0.86	0.98	
	PI	1.44	1.44	1.44	1.44	1.45	1.62	1.62	1.62	1.62	1.62	1.72	1.72	1.72	1.72	1.72	

TC:Total Cooling Capacity (BTU/hr)

S/T:Sensible Cooling Capacity Ratio

PI:Power Input(kW)

18MUC0-HE-SYS-A Expanded Cooling @ 576 CFM

CFM	OD DB (°F)	ID WB(°F)	60.8°F					66.2°F					71.6°F				
			ID DB(°F)	73.4°F	77.0°F	80.0°F	80.6°F	84.2°F	73.4°F	77.0°F	80.0°F	80.6°F	84.2°F	73.4°F	77.0°F	80.0°F	80.6°F
576	50°F	TC	15772	15793	15810	15811	15832	17722	17745	17764	17768	17788	18789	18810	18830	18833	18857
		S/T	0.48	0.56	0.64	0.64	0.73	0.54	0.63	0.72	0.72	0.82	0.57	0.67	0.76	0.76	0.87
		PI	1.29	1.29	1.29	1.29	1.30	1.45	1.45	1.45	1.46	1.46	1.54	1.54	1.54	1.54	1.54
	59°F	TC	16124	16146	16163	16164	16186	18117	18141	18161	18165	18185	19209	19230	19251	19254	19278
		S/T	0.48	0.56	0.64	0.64	0.73	0.54	0.63	0.72	0.72	0.82	0.57	0.67	0.76	0.76	0.87
		PI	1.19	1.19	1.20	1.20	1.20	1.34	1.34	1.34	1.34	1.35	1.42	1.42	1.42	1.42	1.43
	68°F	TC	16477	16499	16517	16517	16540	18513	18537	18558	18561	18582	19629	19650	19671	19675	19699
		S/T	0.49	0.58	0.66	0.66	0.75	0.55	0.65	0.74	0.74	0.84	0.59	0.69	0.78	0.78	0.89
		PI	1.09	1.10	1.10	1.10	1.10	1.23	1.23	1.23	1.23	1.23	1.30	1.31	1.31	1.31	1.31
	77°F	TC	16829	16852	16870	16870	16893	18909	18934	18955	18958	18979	20048	20070	20092	20095	20120
		S/T	0.50	0.59	0.67	0.67	0.76	0.56	0.66	0.75	0.75	0.85	0.60	0.70	0.79	0.79	0.90
		PI	1.00	1.00	1.00	1.00	1.00	1.12	1.12	1.12	1.12	1.12	1.19	1.19	1.19	1.19	1.19
	82°F	TC	16949	16972	16990	16991	17013	19044	19068	19090	19093	19115	20191	20213	20235	20238	20263
		S/T	0.51	0.59	0.67	0.68	0.77	0.57	0.67	0.76	0.76	0.86	0.60	0.71	0.80	0.80	0.92
		PI	0.96	0.96	0.97	0.97	0.97	1.08	1.08	1.08	1.09	1.09	1.15	1.15	1.15	1.15	1.15
	86°F	TC	16995	17018	17036	17037	17060	19096	19121	19142	19145	19167	20246	20268	20290	20293	20319
		S/T	0.51	0.60	0.68	0.68	0.78	0.58	0.68	0.77	0.77	0.88	0.61	0.72	0.81	0.81	0.93
		PI	1.24	1.24	1.24	1.24	1.24	1.39	1.39	1.39	1.39	1.39	1.47	1.47	1.47	1.48	1.48
	95°F	TC	17065	17088	17106	17107	17130	19174	19199	19221	19224	19246	20330	20352	20374	20377	20403
		S/T	0.51	0.60	0.68	0.68	0.78	0.58	0.68	0.77	0.77	0.88	0.61	0.72	0.81	0.81	0.93
		PI	1.65	1.65	1.65	1.65	1.65	1.85	1.85	1.86	1.86	1.86	1.96	1.96	1.97	1.97	1.97
	104°F	TC	13375	13393	13407	13408	13426	15028	15047	15064	15067	15084	15933	15951	15968	15970	15990
		S/T	0.53	0.62	0.70	0.70	0.80	0.59	0.69	0.79	0.79	0.90	0.63	0.73	0.83	0.83	0.95
		PI	1.52	1.52	1.52	1.52	1.52	1.70	1.70	1.71	1.71	1.71	1.80	1.81	1.81	1.81	1.81
109°F	TC	11160	11175	11187	11188	11203	12540	12556	12570	12572	12587	13295	13310	13324	13326	13343	
	S/T	0.54	0.64	0.73	0.73	0.83	0.61	0.72	0.82	0.82	0.93	0.65	0.76	0.86	0.87	0.99	
	PI	1.44	1.44	1.44	1.44	1.44	1.61	1.62	1.62	1.62	1.62	1.71	1.71	1.71	1.71	1.72	
115°F	TC	10408	10422	10433	10433	10447	11694	11709	11722	11725	11738	12399	12412	12426	12428	12443	
	S/T	0.55	0.65	0.73	0.73	0.84	0.62	0.73	0.83	0.83	0.94	0.66	0.77	0.88	0.88	1.00	
	PI	1.46	1.47	1.47	1.47	1.47	1.64	1.65	1.65	1.65	1.65	1.74	1.74	1.75	1.75	1.75	
122°F	TC	9404	9417	9427	9427	9440	10567	10580	10592	10594	10606	11203	11215	11228	11229	11243	
	S/T	0.56	0.66	0.75	0.75	0.86	0.63	0.74	0.84	0.84	0.96	0.67	0.79	0.90	0.90	1.00	
	PI	1.50	1.50	1.50	1.50	1.51	1.69	1.69	1.69	1.69	1.69	1.79	1.79	1.79	1.79	1.79	

TC:Total Cooling Capacity (BTU/hr)

S/T:Sensible Cooling Capacity Ratio

PI:Power Input(kW)

18MUC0-HE-SYS-A Expanded Cooling @ 618 CFM

CFM	OD DB (°F)	ID WB(°F)	60.8°F					66.2°F					71.6°F				
		ID DB(°F)	73.4°F	77.0°F	80.0°F	80.6°F	84.2°F	73.4°F	77.0°F	80.0°F	80.6°F	84.2°F	73.4°F	77.0°F	80.0°F	80.6°F	84.2°F
618	50°F	TC	16429	16451	16469	16470	16492	18460	18484	18505	18508	18529	19572	19594	19615	19618	19642
		S/T	0.50	0.58	0.66	0.66	0.76	0.56	0.66	0.75	0.75	0.85	0.59	0.70	0.79	0.79	0.90
		PI	1.35	1.35	1.35	1.35	1.35	1.51	1.51	1.52	1.52	1.52	1.60	1.60	1.61	1.61	1.61
	59°F	TC	16796	16819	16837	16838	16860	18872	18897	18918	18921	18943	20009	20031	20053	20056	20081
		S/T	0.50	0.59	0.67	0.67	0.76	0.56	0.66	0.75	0.75	0.86	0.60	0.70	0.80	0.80	0.91
		PI	1.24	1.24	1.25	1.25	1.25	1.40	1.40	1.40	1.40	1.40	1.48	1.48	1.48	1.48	1.49
	68°F	TC	17163	17186	17205	17206	17229	19285	19310	19331	19335	19356	20447	20469	20491	20494	20520
		S/T	0.51	0.60	0.69	0.69	0.78	0.58	0.68	0.77	0.77	0.88	0.61	0.72	0.82	0.82	0.93
		PI	1.14	1.14	1.14	1.14	1.14	1.28	1.28	1.28	1.28	1.29	1.36	1.36	1.36	1.36	1.36
	77°F	TC	17530	17554	17573	17573	17597	19697	19723	19745	19748	19770	20884	20907	20929	20933	20959
		S/T	0.52	0.61	0.69	0.69	0.79	0.59	0.69	0.78	0.78	0.89	0.62	0.73	0.83	0.83	0.94
		PI	1.04	1.04	1.04	1.04	1.04	1.17	1.17	1.17	1.17	1.17	1.24	1.24	1.24	1.24	1.24
	82°F	TC	17655	17679	17698	17698	17722	19837	19863	19885	19889	19911	21032	21055	21078	21082	21108
		S/T	0.53	0.62	0.70	0.70	0.80	0.59	0.70	0.79	0.79	0.90	0.63	0.74	0.84	0.84	0.95
		PI	1.00	1.00	1.01	1.01	1.01	1.13	1.13	1.13	1.13	1.13	1.20	1.20	1.20	1.20	1.20
	86°F	TC	17703	17727	17746	17747	17771	19891	19917	19939	19943	19965	21090	21113	21136	21139	21165
		S/T	0.53	0.63	0.71	0.71	0.81	0.60	0.70	0.80	0.80	0.91	0.64	0.75	0.85	0.85	0.97
		PI	1.29	1.29	1.29	1.29	1.29	1.45	1.45	1.45	1.45	1.45	1.53	1.53	1.54	1.54	1.54
	95°F	TC	17776	17800	17819	17820	17844	19973	19999	20022	20025	20048	21177	21200	21223	21226	21253
		S/T	0.53	0.63	0.71	0.71	0.81	0.60	0.70	0.80	0.80	0.91	0.64	0.75	0.85	0.85	0.97
		PI	1.72	1.72	1.72	1.72	1.72	1.93	1.93	1.93	1.93	1.94	2.04	2.05	2.05	2.05	2.05
	104°F	TC	13932	13951	13966	13966	13985	15654	15674	15692	15695	15712	16597	16615	16633	16636	16657
		S/T	0.55	0.64	0.73	0.73	0.83	0.62	0.72	0.82	0.82	0.93	0.65	0.76	0.87	0.87	0.99
		PI	1.58	1.58	1.58	1.58	1.58	1.77	1.78	1.78	1.78	1.78	1.88	1.88	1.88	1.88	1.89
109°F	TC	11625	11641	11654	11654	11670	13062	13079	13094	13096	13111	13849	13864	13880	13882	13899	
	S/T	0.57	0.67	0.76	0.76	0.86	0.64	0.75	0.85	0.85	0.97	0.68	0.79	0.90	0.90	1.00	
	PI	1.50	1.50	1.50	1.50	1.50	1.68	1.68	1.68	1.68	1.69	1.78	1.78	1.79	1.79	1.79	
115°F	TC	10841	10856	10868	10868	10883	12181	12197	12211	12213	12227	12915	12929	12943	12945	12962	
	S/T	0.57	0.67	0.77	0.77	0.87	0.65	0.76	0.86	0.86	0.98	0.68	0.80	0.91	0.91	1.00	
	PI	1.52	1.53	1.53	1.53	1.53	1.71	1.71	1.72	1.72	1.72	1.82	1.82	1.82	1.82	1.82	
122°F	TC	9796	9809	9820	9820	9833	11007	11021	11033	11035	11048	11670	11683	11695	11697	11712	
	S/T	0.59	0.69	0.78	0.78	0.89	0.66	0.77	0.88	0.88	1.00	0.70	0.82	0.93	0.93	1.00	
	PI	1.56	1.56	1.57	1.57	1.57	1.76	1.76	1.76	1.76	1.76	1.86	1.86	1.87	1.87	1.87	

TC:Total Cooling Capacity (BTU/hr)

S/T:Sensible Cooling Capacity Ratio

PI:Power Input(kW)

18MUC0-HE-SYS-A Expanded Heating @ 488 CFM

CFM	HEATING PERFORMANCE AT INDOOR DRY BULB TEMPERATURE										
	OD DB (°F)	TC: Total Heating Capacity(BTU/hr)					PI: Power Input(kW)				
		Indoor Conditions (DB °F)					Indoor Conditions (DB °F)				
		60.8°F	68°F	70°F	71.6°F	75.2°F	60.8°F	68°F	70°F	71.6°F	75.2°F
488	-13°F	6387	6259	6228	6023	5968	1.35	1.36	1.37	1.37	1.38
	-4°F	7808	7651	7613	7363	7296	1.42	1.43	1.43	1.43	1.44
	0°F	8757	8582	8539	8258	8183	1.47	1.48	1.48	1.48	1.49
	5°F	9944	9745	9696	9377	9292	1.53	1.54	1.54	1.54	1.55
	14°F	11209	10985	10930	10570	10475	1.59	1.61	1.61	1.61	1.62
	17°F	11631	11398	11341	10968	10869	1.61	1.63	1.63	1.63	1.64
	22°F	12108	11866	11807	11418	11315	1.63	1.64	1.65	1.65	1.66
	27°F	12585	12334	12272	11868	11761	1.65	1.66	1.66	1.67	1.67
	32°F	13063	12801	12737	12318	12207	1.66	1.68	1.68	1.68	1.69
	35°F	13349	13082	13017	12588	12475	1.67	1.69	1.69	1.69	1.70
	37°F	13902	13624	13556	13109	12991	1.64	1.66	1.66	1.66	1.67
	42°F	15283	14978	14903	14412	14282	1.57	1.58	1.58	1.59	1.59
	44.6°F	15836	15519	15442	14933	14799	1.54	1.55	1.55	1.56	1.56
	47°F	16665	16331	16250	15715	15573	1.49	1.50	1.51	1.51	1.52
	52°F	15439	15131	15055	14559	14428	1.45	1.46	1.46	1.47	1.47
	57°F	14214	13930	13860	13404	13283	1.40	1.42	1.42	1.42	1.43
	59°F	13724	13449	13382	12941	12825	1.39	1.40	1.40	1.40	1.41
62°F	12989	12729	12665	12248	12138	1.36	1.37	1.37	1.38	1.38	
64.4°F	12499	12249	12187	11786	11680	1.34	1.35	1.36	1.36	1.37	

18MUC0-HE-SYS-A Expanded Heating @ 529 CFM

CFM	HEATING PERFORMANCE AT INDOOR DRY BULB TEMPERATURE										
	OD DB (°F)	TC: Total Heating Capacity(BTU/hr)					PI: Power Input(kW)				
		Indoor Conditions(DB °F)					Indoor Conditions(DB °F)				
		60.8°F	68°F	70°F	71.6°F	75.2°F	60.8°F	68°F	70°F	71.6°F	75.2°F
529	-13°F	6653	6520	6487	6367	6309	1.37	1.38	1.38	1.38	1.39
	-4°F	8133	7970	7930	7783	7713	1.43	1.44	1.45	1.45	1.45
	0°F	9122	8939	8895	8730	8651	1.48	1.49	1.50	1.50	1.50
	5°F	10358	10151	10100	9913	9823	1.54	1.55	1.56	1.56	1.57
	14°F	11676	11443	11385	11174	11073	1.61	1.62	1.63	1.63	1.63
	17°F	12116	11873	11814	11594	11490	1.63	1.64	1.65	1.65	1.66
	22°F	12613	12360	12299	12070	11962	1.65	1.66	1.66	1.67	1.67
	27°F	13110	12848	12783	12546	12433	1.66	1.68	1.68	1.68	1.69
	32°F	13607	13335	13268	13022	12905	1.68	1.69	1.70	1.70	1.71
	35°F	13905	13627	13559	13307	13187	1.69	1.70	1.71	1.71	1.72
	37°F	14481	14191	14120	13858	13733	1.66	1.67	1.68	1.68	1.69
	42°F	15920	15602	15524	15235	15098	1.58	1.60	1.60	1.60	1.61
	44.6°F	16496	16166	16085	15786	15644	1.55	1.57	1.57	1.57	1.58
	47°F	17359	17012	16927	16612	16463	1.51	1.52	1.52	1.53	1.53
	52°F	16083	15761	15682	15391	15252	1.46	1.48	1.48	1.48	1.49
	57°F	14806	14510	14438	14169	14042	1.42	1.43	1.43	1.44	1.44
	59°F	14296	14010	13940	13681	13558	1.40	1.41	1.42	1.42	1.42
62°F	13530	13259	13193	12948	12831	1.37	1.39	1.39	1.39	1.40	
64.4°F	13019	12759	12695	12459	12347	1.36	1.37	1.37	1.37	1.38	

18MUC0-HE-SYS-A Expanded Heating @ 576 CFM

CFM	HEATING PERFORMANCE AT INDOOR DRY BULB TEMPERATURE										
	OD DB (°F)	TC: Total Heating Capacity(BTU/hr)					PI: Power Input(kW)				
		Indoor Conditions(DB °F)					Indoor Conditions(DB °F)				
		60.8°F	68°F	70°F	71.6°F	75.2°F	60.8°F	68°F	70°F	71.6°F	75.2°F
576	-13°F	6930	6791	6757	6730	6670	1.38	1.39	1.39	1.40	1.40
	-4°F	8472	8302	8261	8228	8154	1.45	1.46	1.46	1.46	1.47
	0°F	9502	9312	9265	9228	9145	1.50	1.51	1.51	1.51	1.52
	5°F	10790	10574	10521	10479	10385	1.56	1.57	1.57	1.58	1.58
	14°F	12163	11919	11860	11812	11706	1.63	1.64	1.64	1.64	1.65
	17°F	12620	12368	12306	12257	12147	1.65	1.66	1.66	1.67	1.67
	22°F	13138	12875	12811	12760	12645	1.66	1.68	1.68	1.68	1.69
	27°F	13656	13383	13316	13263	13143	1.68	1.69	1.70	1.70	1.71
	32°F	14174	13891	13821	13766	13642	1.70	1.71	1.72	1.72	1.73
	35°F	14485	14195	14124	14068	13941	1.71	1.72	1.73	1.73	1.74
	37°F	15084	14783	14709	14650	14518	1.68	1.69	1.69	1.70	1.70
	42°F	16583	16252	16170	16106	15961	1.60	1.61	1.62	1.62	1.63
	44.6°F	17183	16839	16755	16688	16538	1.57	1.58	1.59	1.59	1.59
	47°F	18082	17721	17632	17562	17404	1.52	1.54	1.54	1.54	1.55
	52°F	16753	16418	16336	16270	16124	1.48	1.49	1.49	1.50	1.50
	57°F	15423	15115	15039	14979	14844	1.43	1.45	1.45	1.45	1.46
	59°F	14891	14594	14521	14462	14332	1.42	1.43	1.43	1.43	1.44
62°F	14094	13812	13743	13688	13565	1.39	1.40	1.40	1.41	1.41	
64.4°F	13562	13291	13224	13171	13053	1.37	1.38	1.38	1.39	1.39	

18MUC0-HE-SYS-A Expanded Heating @ 618 CFM

CFM	HEATING PERFORMANCE AT INDOOR DRY BULB TEMPERATURE										
	OD DB (°F)	TC: Total Heating Capacity(BTU/hr)					PI: Power Input(kW)				
		Indoor Conditions(DB °F)					Indoor Conditions(DB °F)				
		60.8°F	68°F	70°F	71.6°F	75.2°F	60.8°F	68°F	70°F	71.6°F	75.2°F
618	-13°F	7219	7074	7039	7011	6948	1.39	1.41	1.41	1.41	1.42
	-4°F	8825	8648	8605	8571	8494	1.46	1.47	1.48	1.48	1.48
	0°F	9898	9700	9651	9613	9526	1.51	1.52	1.53	1.53	1.53
	5°F	11239	11014	10959	10916	10817	1.57	1.59	1.59	1.59	1.60
	14°F	12669	12416	12354	12305	12194	1.64	1.65	1.66	1.66	1.67
	17°F	13146	12883	12819	12768	12653	1.66	1.68	1.68	1.68	1.69
	22°F	13686	13412	13345	13292	13172	1.68	1.69	1.70	1.70	1.71
	27°F	14225	13941	13871	13815	13691	1.70	1.71	1.72	1.72	1.73
	32°F	14765	14469	14397	14339	14210	1.72	1.73	1.73	1.74	1.74
	35°F	15088	14786	14713	14654	14522	1.73	1.74	1.74	1.75	1.75
	37°F	15713	15399	15322	15260	15123	1.69	1.71	1.71	1.71	1.72
	42°F	17274	16929	16844	16777	16626	1.62	1.63	1.63	1.64	1.64
	44.6°F	17899	17541	17453	17383	17227	1.59	1.60	1.60	1.60	1.61
	47°F	18836	18459	18367	18293	18129	1.54	1.55	1.55	1.56	1.56
	52°F	17451	17102	17016	16948	16796	1.49	1.51	1.51	1.51	1.52
	57°F	16066	15745	15666	15603	15463	1.45	1.46	1.46	1.47	1.47
	59°F	15512	15202	15126	15065	14930	1.43	1.44	1.44	1.45	1.45
62°F	14681	14387	14315	14258	14130	1.40	1.41	1.42	1.42	1.43	
64.4°F	14127	13844	13775	13720	13597	1.38	1.40	1.40	1.40	1.41	

24MUC0-HE-SYS-A Expanded Cooling @ 629 CFM

CFM	OD DB (°F)	ID WB(°F)	60.8°F					66.2°F					71.6°F				
			ID DB(°F)	73.4°F	77.0°F	80.0°F	80.6°F	84.2°F	73.4°F	77.0°F	80.0°F	80.6°F	84.2°F	73.4°F	77.0°F	80.0°F	80.6°F
629	50°F	TC	17590	17614	17633	17633	17657	19764	19790	19812	19816	19838	20955	20978	21001	21004	21030
		S/T	0.43	0.50	0.57	0.57	0.65	0.48	0.56	0.64	0.64	0.73	0.51	0.60	0.68	0.68	0.77
		PI	1.13	1.14	1.14	1.14	1.14	1.27	1.28	1.28	1.28	1.28	1.35	1.35	1.35	1.35	1.36
	59°F	TC	18122	18146	18166	18166	18191	20362	20388	20411	20415	20437	21588	21612	21635	21639	21666
		S/T	0.43	0.50	0.57	0.57	0.65	0.48	0.56	0.64	0.64	0.73	0.51	0.60	0.68	0.68	0.77
		PI	1.14	1.14	1.14	1.14	1.14	1.28	1.28	1.28	1.28	1.28	1.35	1.35	1.36	1.36	1.36
	68°F	TC	18653	18678	18698	18699	18724	20959	20986	21010	21013	21037	22222	22246	22270	22274	22301
		S/T	0.44	0.52	0.59	0.59	0.67	0.49	0.58	0.66	0.66	0.75	0.52	0.61	0.70	0.70	0.80
		PI	1.14	1.14	1.14	1.14	1.14	1.28	1.28	1.28	1.28	1.28	1.35	1.36	1.36	1.36	1.36
	77°F	TC	19185	19211	19231	19232	19258	21556	21584	21608	21612	21636	22855	22880	22905	22908	22937
		S/T	0.45	0.52	0.59	0.59	0.68	0.50	0.59	0.67	0.67	0.76	0.53	0.62	0.71	0.71	0.81
		PI	1.14	1.14	1.14	1.14	1.14	1.28	1.28	1.28	1.28	1.28	1.35	1.36	1.36	1.36	1.36
	82°F	TC	19365	19392	19412	19413	19439	21759	21787	21812	21816	21840	23070	23095	23120	23124	23153
		S/T	0.45	0.53	0.60	0.60	0.69	0.51	0.59	0.68	0.68	0.77	0.54	0.63	0.72	0.72	0.82
		PI	1.14	1.14	1.14	1.14	1.14	1.28	1.28	1.28	1.28	1.28	1.36	1.36	1.36	1.36	1.36
	86°F	TC	19878	19905	19926	19927	19954	22335	22364	22389	22393	22418	23681	23707	23733	23736	23766
		S/T	0.46	0.54	0.61	0.61	0.69	0.51	0.60	0.68	0.68	0.78	0.54	0.64	0.72	0.72	0.83
		PI	1.60	1.60	1.60	1.60	1.60	1.79	1.80	1.80	1.80	1.80	1.90	1.90	1.91	1.91	1.91
	95°F	TC	20655	20683	20705	20706	20734	23208	23238	23264	23269	23295	24607	24633	24660	24664	24695
		S/T	0.46	0.54	0.61	0.61	0.69	0.51	0.60	0.68	0.68	0.78	0.54	0.64	0.72	0.72	0.83
		PI	2.29	2.30	2.30	2.30	2.30	2.58	2.58	2.58	2.58	2.59	2.73	2.74	2.74	2.74	2.74
	104°F	TC	17715	17739	17758	17759	17783	19905	19931	19953	19957	19979	21104	21127	21150	21154	21180
		S/T	0.47	0.55	0.62	0.62	0.71	0.53	0.62	0.70	0.70	0.80	0.56	0.65	0.74	0.74	0.85
		PI	2.34	2.34	2.35	2.35	2.35	2.63	2.63	2.64	2.64	2.64	2.79	2.79	2.80	2.80	2.80
	109°F	TC	15951	15973	15990	15991	16012	17923	17946	17966	17970	17990	19003	19024	19044	19047	19071
		S/T	0.49	0.57	0.65	0.65	0.74	0.54	0.64	0.73	0.73	0.83	0.58	0.68	0.77	0.77	0.88
		PI	2.37	2.37	2.38	2.38	2.38	2.66	2.67	2.67	2.67	2.67	2.82	2.83	2.83	2.83	2.83
115°F	TC	13978	13996	14011	14012	14031	15705	15726	15743	15746	15764	16652	16670	16688	16690	16711	
	S/T	0.49	0.58	0.65	0.65	0.75	0.55	0.65	0.74	0.74	0.84	0.58	0.69	0.78	0.78	0.89	
	PI	2.12	2.12	2.12	2.12	2.13	2.38	2.38	2.38	2.39	2.39	2.52	2.53	2.53	2.53	2.53	
122°F	TC	11346	11361	11373	11374	11389	12748	12765	12779	12781	12796	13516	13531	13546	13548	13565	
	S/T	0.50	0.59	0.67	0.67	0.76	0.56	0.66	0.75	0.75	0.86	0.60	0.70	0.80	0.80	0.91	
	PI	1.78	1.78	1.78	1.78	1.79	2.00	2.00	2.01	2.01	2.01	2.12	2.12	2.13	2.13	2.13	

TC:Total Cooling Capacity (BTU/hr)

S/T:Sensible Cooling Capacity Ratio

PI:Power Input(kW)

24MUC0-HE-SYS-A Expanded Cooling @ 694 CFM

CFM	OD DB (°F)	ID WB(°F)	60.8°F					66.2°F					71.6°F				
			ID DB(°F)	73.4°F	77.0°F	80.0°F	80.6°F	84.2°F	73.4°F	77.0°F	80.0°F	80.6°F	84.2°F	73.4°F	77.0°F	80.0°F	80.6°F
694	50°F	TC	18534	18559	18579	18580	18605	20825	20852	20875	20879	20902	22080	22104	22128	22131	22159
		S/T	0.45	0.53	0.60	0.60	0.68	0.50	0.59	0.67	0.67	0.77	0.53	0.63	0.71	0.71	0.81
		PI	1.20	1.20	1.20	1.20	1.20	1.34	1.34	1.35	1.35	1.35	1.42	1.43	1.43	1.43	1.43
	59°F	TC	19094	19120	19140	19141	19167	21454	21482	21506	21510	21534	22747	22772	22796	22800	22828
		S/T	0.45	0.53	0.60	0.60	0.69	0.51	0.59	0.68	0.68	0.77	0.54	0.63	0.72	0.72	0.82
		PI	1.20	1.20	1.20	1.20	1.20	1.34	1.35	1.35	1.35	1.35	1.43	1.43	1.43	1.43	1.43
	68°F	TC	19654	19681	19702	19703	19729	22084	22112	22137	22141	22166	23414	23440	23465	23469	23498
		S/T	0.46	0.54	0.62	0.62	0.70	0.52	0.61	0.69	0.69	0.79	0.55	0.65	0.74	0.74	0.84
		PI	1.20	1.20	1.20	1.20	1.20	1.35	1.35	1.35	1.35	1.35	1.43	1.43	1.43	1.43	1.43
	77°F	TC	20214	20241	20263	20264	20291	22713	22742	22768	22772	22797	24081	24108	24134	24138	24168
		S/T	0.47	0.55	0.63	0.63	0.71	0.53	0.62	0.70	0.70	0.80	0.56	0.66	0.74	0.74	0.85
		PI	1.20	1.20	1.20	1.20	1.20	1.35	1.35	1.35	1.35	1.35	1.43	1.43	1.43	1.43	1.43
	82°F	TC	20405	20432	20454	20455	20483	22927	22957	22982	22987	23012	24308	24335	24361	24365	24395
		S/T	0.47	0.56	0.63	0.63	0.72	0.53	0.63	0.71	0.71	0.81	0.57	0.66	0.75	0.75	0.86
		PI	1.20	1.20	1.20	1.20	1.20	1.35	1.35	1.35	1.35	1.35	1.43	1.43	1.43	1.43	1.43
	86°F	TC	20945	20973	20996	20997	21025	23534	23564	23591	23595	23621	24952	24979	25006	25010	25041
		S/T	0.48	0.56	0.64	0.64	0.73	0.54	0.63	0.72	0.72	0.82	0.57	0.67	0.76	0.76	0.87
		PI	1.68	1.69	1.69	1.69	1.69	1.89	1.89	1.90	1.90	1.90	2.01	2.01	2.01	2.01	2.01
	95°F	TC	21764	21793	21816	21817	21847	24454	24485	24513	24517	24545	25927	25955	25984	25988	26020
		S/T	0.48	0.56	0.64	0.64	0.73	0.54	0.63	0.72	0.72	0.82	0.57	0.67	0.76	0.76	0.87
		PI	2.42	2.42	2.42	2.42	2.43	2.72	2.72	2.72	2.72	2.73	2.88	2.88	2.89	2.89	2.89
	104°F	TC	18666	18691	18711	18712	18737	20973	21000	21024	21028	21051	22237	22261	22285	22289	22316
		S/T	0.49	0.58	0.66	0.66	0.75	0.55	0.65	0.74	0.74	0.84	0.59	0.69	0.78	0.78	0.89
		PI	2.47	2.47	2.47	2.47	2.48	2.77	2.78	2.78	2.78	2.78	2.94	2.94	2.95	2.95	2.95
109°F	TC	16807	16830	16848	16849	16871	18885	18909	18930	18934	18955	20023	20044	20066	20069	20094	
	S/T	0.51	0.60	0.68	0.68	0.78	0.57	0.67	0.77	0.77	0.87	0.61	0.71	0.81	0.81	0.93	
	PI	2.50	2.50	2.50	2.50	2.51	2.81	2.81	2.81	2.81	2.82	2.98	2.98	2.98	2.98	2.99	
115°F	TC	14728	14747	14763	14764	14784	16548	16570	16588	16591	16610	17545	17564	17583	17586	17608	
	S/T	0.52	0.61	0.69	0.69	0.79	0.58	0.68	0.77	0.77	0.88	0.62	0.72	0.82	0.82	0.94	
	PI	2.23	2.23	2.24	2.24	2.24	2.51	2.51	2.51	2.51	2.52	2.66	2.66	2.66	2.66	2.67	
122°F	TC	11955	11971	11984	11984	12000	13432	13450	13465	13467	13482	14242	14257	14273	14275	14293	
	S/T	0.53	0.62	0.71	0.71	0.80	0.59	0.70	0.79	0.79	0.90	0.63	0.74	0.84	0.84	0.96	
	PI	1.88	1.88	1.88	1.88	1.88	2.11	2.11	2.11	2.11	2.12	2.23	2.24	2.24	2.24	2.24	

TC:Total Cooling Capacity (BTU/hr)

S/T:Sensible Cooling Capacity Ratio

PI:Power Input(kW)

24MUC0-HE-SYS-A Expanded Cooling @ 759 CFM

CFM	OD DB (°F)	ID WB(°F)	60.8°F					66.2°F					71.6°F				
			ID DB(°F)	73.4°F	77.0°F	80.0°F	80.6°F	84.2°F	73.4°F	77.0°F	80.0°F	80.6°F	84.2°F	73.4°F	77.0°F	80.0°F	80.6°F
759	50°F	TC	19529	19555	19576	19577	19603	21942	21971	21995	22000	22024	23265	23290	23315	23319	23348
		S/T	0.47	0.55	0.63	0.63	0.72	0.53	0.62	0.71	0.71	0.81	0.56	0.66	0.75	0.75	0.86
		PI	1.26	1.26	1.26	1.26	1.26	1.41	1.42	1.42	1.42	1.42	1.50	1.50	1.50	1.50	1.51
	59°F	TC	20119	20146	20167	20168	20196	22606	22635	22660	22664	22690	23968	23994	24020	24023	24053
		S/T	0.48	0.56	0.63	0.63	0.72	0.53	0.63	0.71	0.71	0.81	0.57	0.66	0.75	0.75	0.86
		PI	1.26	1.26	1.26	1.26	1.27	1.42	1.42	1.42	1.42	1.42	1.50	1.50	1.50	1.51	1.51
	68°F	TC	20709	20737	20759	20760	20788	23269	23299	23325	23329	23355	24671	24697	24724	24728	24759
		S/T	0.49	0.57	0.65	0.65	0.74	0.55	0.64	0.73	0.73	0.83	0.58	0.68	0.77	0.77	0.88
		PI	1.26	1.26	1.26	1.26	1.27	1.42	1.42	1.42	1.42	1.42	1.50	1.50	1.51	1.51	1.51
	77°F	TC	21299	21328	21351	21352	21380	23932	23963	23990	23994	24021	25374	25401	25429	25433	25465
		S/T	0.49	0.58	0.66	0.66	0.75	0.56	0.65	0.74	0.74	0.84	0.59	0.69	0.78	0.78	0.89
		PI	1.26	1.26	1.27	1.27	1.27	1.42	1.42	1.42	1.42	1.42	1.50	1.51	1.51	1.51	1.51
	82°F	TC	21500	21529	21552	21553	21582	24157	24189	24215	24220	24247	25613	25641	25668	25672	25704
		S/T	0.50	0.59	0.67	0.67	0.76	0.56	0.66	0.75	0.75	0.85	0.60	0.70	0.79	0.79	0.91
		PI	1.26	1.26	1.27	1.27	1.27	1.42	1.42	1.42	1.42	1.42	1.50	1.51	1.51	1.51	1.51
	86°F	TC	22069	22099	22122	22123	22153	24797	24829	24857	24861	24889	26291	26319	26348	26352	26385
		S/T	0.51	0.59	0.68	0.68	0.77	0.57	0.67	0.76	0.76	0.87	0.60	0.71	0.80	0.80	0.92
		PI	1.77	1.78	1.78	1.78	1.78	1.99	2.00	2.00	2.00	2.00	2.11	2.11	2.12	2.12	2.12
	95°F	TC	22931	22962	22987	22988	23019	25766	25799	25828	25833	25862	27318	27348	27378	27382	27416
		S/T	0.51	0.59	0.68	0.68	0.77	0.57	0.67	0.76	0.76	0.87	0.60	0.71	0.80	0.80	0.92
		PI	2.55	2.55	2.55	2.55	2.56	2.86	2.86	2.87	2.87	2.87	3.03	3.04	3.04	3.04	3.04
	104°F	TC	19667	19694	19715	19716	19743	22099	22127	22152	22156	22181	23430	23456	23481	23485	23514
		S/T	0.52	0.61	0.69	0.69	0.79	0.58	0.68	0.78	0.78	0.89	0.62	0.73	0.82	0.83	0.94
		PI	2.60	2.60	2.61	2.61	2.61	2.92	2.92	2.93	2.93	2.93	3.10	3.10	3.10	3.10	3.11
109°F	TC	17709	17733	17752	17753	17777	19898	19924	19946	19950	19972	21097	21120	21143	21146	21173	
	S/T	0.54	0.63	0.72	0.72	0.82	0.61	0.71	0.81	0.81	0.92	0.64	0.75	0.86	0.86	0.97	
	PI	2.63	2.64	2.64	2.64	2.64	2.96	2.96	2.96	2.96	2.97	3.13	3.14	3.14	3.14	3.15	
115°F	TC	15518	15539	15555	15556	15577	17436	17459	17478	17481	17501	18487	18507	18527	18530	18553	
	S/T	0.54	0.64	0.73	0.73	0.83	0.61	0.72	0.82	0.82	0.93	0.65	0.76	0.87	0.87	0.99	
	PI	2.35	2.35	2.36	2.36	2.36	2.64	2.64	2.65	2.65	2.65	2.80	2.80	2.81	2.81	2.81	
122°F	TC	12596	12613	12627	12627	12644	14153	14172	14187	14190	14206	15006	15022	15039	15041	15060	
	S/T	0.56	0.65	0.74	0.74	0.85	0.63	0.73	0.84	0.84	0.95	0.66	0.78	0.89	0.89	1.00	
	PI	1.98	1.98	1.98	1.98	1.98	2.22	2.22	2.23	2.23	2.23	2.35	2.36	2.36	2.36	2.36	

TC:Total Cooling Capacity (BTU/hr)

S/T:Sensible Cooling Capacity Ratio

PI:Power Input(kW)

24MUC0-HE-SYS-A Expanded Cooling @ 824 CFM

CFM	OD DB (°F)	ID WB(°F)	60.8°F					66.2°F					71.6°F				
			ID DB(°F)	73.4°F	77.0°F	80.0°F	80.6°F	84.2°F	73.4°F	77.0°F	80.0°F	80.6°F	84.2°F	73.4°F	77.0°F	80.0°F	80.6°F
824	50°F	TC	20576	20604	20626	20627	20655	23120	23150	23176	23180	23206	24513	24540	24566	24570	24601
		S/T	0.50	0.58	0.66	0.66	0.76	0.56	0.66	0.75	0.75	0.85	0.59	0.70	0.79	0.79	0.90
		PI	1.33	1.33	1.33	1.33	1.33	1.49	1.49	1.49	1.49	1.50	1.58	1.58	1.58	1.58	1.59
	59°F	TC	21198	21227	21250	21251	21279	23819	23850	23876	23881	23907	25254	25281	25309	25313	25344
		S/T	0.50	0.59	0.67	0.67	0.76	0.56	0.66	0.75	0.75	0.86	0.60	0.70	0.80	0.80	0.91
		PI	1.33	1.33	1.33	1.33	1.33	1.49	1.49	1.50	1.50	1.50	1.58	1.58	1.59	1.59	1.59
	68°F	TC	21820	21849	21873	21874	21903	24517	24549	24576	24581	24608	25994	26023	26051	26055	26088
		S/T	0.51	0.60	0.69	0.69	0.78	0.58	0.68	0.77	0.77	0.88	0.61	0.72	0.82	0.82	0.93
		PI	1.33	1.33	1.33	1.33	1.33	1.49	1.50	1.50	1.50	1.50	1.58	1.59	1.59	1.59	1.59
	77°F	TC	22442	22472	22496	22497	22528	25216	25249	25277	25282	25310	26735	26764	26793	26798	26831
		S/T	0.52	0.61	0.69	0.69	0.79	0.59	0.69	0.78	0.78	0.89	0.62	0.73	0.83	0.83	0.94
		PI	1.33	1.33	1.33	1.33	1.34	1.49	1.50	1.50	1.50	1.50	1.58	1.59	1.59	1.59	1.59
	82°F	TC	22653	22684	22708	22709	22740	25453	25487	25515	25520	25548	26987	27016	27046	27050	27084
		S/T	0.53	0.62	0.70	0.70	0.80	0.59	0.70	0.79	0.79	0.90	0.63	0.74	0.84	0.84	0.95
		PI	1.33	1.33	1.33	1.33	1.34	1.50	1.50	1.50	1.50	1.50	1.59	1.59	1.59	1.59	1.59
	86°F	TC	23253	23284	23309	23311	23342	26127	26161	26191	26195	26225	27702	27732	27762	27766	27801
		S/T	0.53	0.63	0.71	0.71	0.81	0.60	0.70	0.80	0.80	0.91	0.64	0.75	0.85	0.85	0.97
		PI	1.87	1.87	1.87	1.87	1.88	2.10	2.10	2.10	2.10	2.11	2.23	2.23	2.23	2.23	2.23
	95°F	TC	24162	24194	24220	24222	24254	27149	27184	27214	27219	27250	28784	28816	28847	28851	28887
		S/T	0.53	0.63	0.71	0.71	0.81	0.60	0.70	0.80	0.80	0.91	0.64	0.75	0.85	0.85	0.97
		PI	2.68	2.69	2.69	2.69	2.69	3.01	3.02	3.02	3.02	3.03	3.20	3.20	3.20	3.20	3.21
	104°F	TC	20723	20751	20773	20774	20802	23284	23315	23341	23345	23371	24687	24714	24741	24745	24776
		S/T	0.55	0.64	0.73	0.73	0.83	0.62	0.72	0.82	0.82	0.93	0.65	0.76	0.87	0.87	0.99
		PI	2.74	2.74	2.75	2.75	2.75	3.08	3.08	3.09	3.09	3.09	3.26	3.27	3.27	3.27	3.27
109°F	TC	18659	18685	18705	18705	18731	20966	20993	21017	21020	21044	22229	22253	22278	22281	22309	
	S/T	0.57	0.67	0.76	0.76	0.86	0.64	0.75	0.85	0.85	0.97	0.68	0.79	0.90	0.90	1.00	
	PI	2.77	2.78	2.78	2.78	2.78	3.12	3.12	3.12	3.12	3.13	3.30	3.31	3.31	3.31	3.32	
115°F	TC	16351	16373	16390	16391	16413	18372	18396	18416	18419	18440	19479	19500	19521	19524	19548	
	S/T	0.57	0.67	0.77	0.77	0.87	0.65	0.76	0.86	0.86	0.98	0.68	0.80	0.91	0.91	1.00	
	PI	2.48	2.48	2.48	2.48	2.49	2.78	2.79	2.79	2.79	2.79	2.95	2.95	2.96	2.96	2.96	
122°F	TC	13272	13290	13304	13305	13323	14913	14932	14949	14951	14968	15811	15828	15846	15848	15868	
	S/T	0.59	0.69	0.78	0.78	0.89	0.66	0.77	0.88	0.88	1.00	0.70	0.82	0.93	0.93	1.00	
	PI	2.08	2.09	2.09	2.09	2.09	2.34	2.34	2.35	2.35	2.35	2.48	2.48	2.49	2.49	2.49	

TC:Total Cooling Capacity (BTU/hr)

S/T:Sensible Cooling Capacity Ratio

PI:Power Input(kW)

24MUC0-HE-SYS-A Expanded Heating @ 629 CFM

CFM	HEATING PERFORMANCE AT INDOOR DRY BULB TEMPERATURE										
	OD DB (°F)	TC: Total Heating Capacity(BTU/hr)					PI: Power Input(kW)				
		Indoor Conditions (DB °F)					Indoor Conditions (DB °F)				
		60.8°F	68°F	70°F	71.6°F	75.2°F	60.8°F	68°F	70°F	71.6°F	75.2°F
629	-13°F	12701	12447	12385	12156	12047	2.05	2.07	2.07	2.08	2.09
	-4°F	14795	14499	14426	14161	14033	2.17	2.19	2.19	2.20	2.21
	0°F	16297	15971	15891	15598	15458	2.27	2.29	2.30	2.30	2.31
	5°F	18175	17811	17722	17396	17239	2.40	2.42	2.42	2.43	2.44
	14°F	19079	18698	18604	18261	18097	2.49	2.51	2.52	2.52	2.53
	17°F	19380	18993	18898	18550	18383	2.52	2.54	2.55	2.55	2.56
	22°F	20117	19714	19616	19254	19081	2.54	2.56	2.56	2.57	2.58
	27°F	20853	20436	20334	19959	19779	2.55	2.57	2.58	2.58	2.59
	32°F	21589	21157	21051	20663	20477	2.57	2.59	2.59	2.60	2.61
	35°F	22031	21590	21482	21086	20896	2.58	2.60	2.60	2.61	2.62
	37°F	23355	22888	22774	22354	22153	2.60	2.62	2.63	2.63	2.64
	42°F	26667	26134	26003	25524	25294	2.66	2.68	2.68	2.69	2.70
	44.6°F	27992	27432	27295	26792	26550	2.68	2.70	2.71	2.71	2.72
	47°F	29979	29379	29232	28693	28435	2.72	2.74	2.74	2.75	2.76
	52°F	27774	27219	27083	26584	26344	2.64	2.66	2.66	2.67	2.68
	57°F	25570	25059	24933	24474	24253	2.56	2.58	2.58	2.59	2.60
	59°F	24688	24194	24073	23630	23417	2.52	2.55	2.55	2.56	2.57
62°F	23366	22898	22784	22364	22163	2.48	2.50	2.50	2.51	2.52	
64.4°F	22484	22034	21924	21520	21326	2.44	2.46	2.47	2.47	2.48	

24MUC0-HE-SYS-A Expanded Heating @ 694 CFM

CFM	HEATING PERFORMANCE AT INDOOR DRY BULB TEMPERATURE										
	OD DB (°F)	TC: Total Heating Capacity(BTU/hr)					PI: Power Input(kW)				
		Indoor Conditions (DB °F)					Indoor Conditions (DB °F)				
		60.8°F	68°F	70°F	71.6°F	75.2°F	60.8°F	68°F	70°F	71.6°F	75.2°F
694	-13°F	13383	13115	13049	12903	12786	2.07	2.09	2.09	2.10	2.11
	-4°F	15589	15277	15201	15030	14894	2.19	2.21	2.22	2.22	2.23
	0°F	17172	16828	16744	16556	16407	2.30	2.31	2.32	2.32	2.33
	5°F	19150	18767	18673	18464	18297	2.42	2.44	2.45	2.45	2.46
	14°F	20103	19701	19602	19382	19208	2.52	2.54	2.54	2.55	2.56
	17°F	20420	20012	19912	19688	19511	2.55	2.57	2.57	2.58	2.59
	22°F	21196	20772	20668	20436	20252	2.56	2.58	2.59	2.59	2.61
	27°F	21972	21532	21425	21184	20993	2.58	2.60	2.60	2.61	2.62
	32°F	22748	22293	22181	21932	21734	2.59	2.61	2.62	2.62	2.63
	35°F	23213	22749	22635	22380	22179	2.60	2.62	2.63	2.63	2.64
	37°F	24609	24116	23996	23726	23513	2.63	2.65	2.65	2.66	2.67
	42°F	28098	27536	27398	27090	26847	2.68	2.71	2.71	2.72	2.73
	44.6°F	29494	28904	28759	28436	28180	2.71	2.73	2.74	2.74	2.75
	47°F	31587	30956	30801	30454	30180	2.74	2.77	2.77	2.78	2.79
	52°F	29265	28679	28536	28215	27961	2.66	2.68	2.69	2.70	2.71
	57°F	26942	26403	26271	25976	25742	2.58	2.60	2.61	2.61	2.62
	59°F	26013	25493	25365	25080	24854	2.55	2.57	2.58	2.58	2.59
62°F	24619	24127	24006	23737	23523	2.50	2.52	2.53	2.53	2.54	
64.4°F	23690	23217	23101	22841	22635	2.47	2.49	2.49	2.50	2.51	

24MUC0-HE-SYS-A Expanded Heating @ 759 CFM

CFM	HEATING PERFORMANCE AT INDOOR DRY BULB TEMPERATURE										
	OD DB (°F)	TC: Total Heating Capacity(BTU/hr)					PI: Power Input(kW)				
		Indoor Conditions (DB °F)					Indoor Conditions (DB °F)				
		60.8°F	68°F	70°F	71.6°F	75.2°F	60.8°F	68°F	70°F	71.6°F	75.2°F
759	-13°F	14101	13819	13750	13695	13571	2.09	2.11	2.12	2.12	2.13
	-4°F	16425	16097	16016	15952	15809	2.22	2.23	2.24	2.24	2.25
	0°F	18093	17731	17643	17572	17414	2.32	2.34	2.34	2.35	2.36
	5°F	20178	19774	19675	19597	19420	2.45	2.47	2.47	2.48	2.49
	14°F	21182	20758	20654	20572	20386	2.54	2.56	2.57	2.57	2.58
	17°F	21516	21086	20981	20897	20709	2.57	2.60	2.60	2.61	2.62
	22°F	22334	21887	21777	21690	21495	2.59	2.61	2.62	2.62	2.63
	27°F	23151	22688	22574	22484	22282	2.60	2.63	2.63	2.64	2.65
	32°F	23968	23489	23371	23278	23068	2.62	2.64	2.65	2.65	2.66
	35°F	24459	23969	23850	23754	23540	2.63	2.65	2.65	2.66	2.67
	37°F	25929	25411	25284	25182	24956	2.65	2.67	2.68	2.68	2.69
	42°F	29606	29014	28869	28753	28494	2.71	2.73	2.74	2.74	2.76
	44.6°F	31076	30455	30303	30181	29910	2.74	2.76	2.76	2.77	2.78
	47°F	33282	32617	32454	32324	32033	2.77	2.79	2.80	2.81	2.82
	52°F	30835	30218	30067	29947	29677	2.69	2.71	2.72	2.72	2.73
	57°F	28388	27820	27681	27570	27322	2.61	2.63	2.64	2.64	2.65
	59°F	27409	26861	26726	26620	26380	2.58	2.60	2.60	2.61	2.62
62°F	25941	25422	25295	25194	24967	2.53	2.55	2.55	2.56	2.57	
64.4°F	24962	24462	24340	24243	24025	2.49	2.51	2.52	2.52	2.53	

24MUC0-HE-SYS-A Expanded Heating @ 824 CFM

CFM	HEATING PERFORMANCE AT INDOOR DRY BULB TEMPERATURE										
	OD DB (°F)	TC: Total Heating Capacity(BTU/hr)					PI: Power Input(kW)				
		Indoor Conditions (DB °F)					Indoor Conditions (DB °F)				
		60.8°F	68°F	70°F	71.6°F	75.2°F	60.8°F	68°F	70°F	71.6°F	75.2°F
824	-13°F	14857	14560	14487	14429	14300	2.12	2.13	2.14	2.14	2.15
	-4°F	17307	16961	16876	16808	16657	2.24	2.26	2.26	2.26	2.27
	0°F	19064	18683	18589	18515	18348	2.34	2.36	2.37	2.37	2.38
	5°F	21261	20835	20731	20648	20463	2.47	2.49	2.50	2.50	2.51
	14°F	22318	21872	21763	21676	21480	2.57	2.59	2.59	2.60	2.61
	17°F	22671	22217	22106	22018	21820	2.60	2.62	2.63	2.63	2.64
	22°F	23532	23061	22946	22854	22649	2.62	2.64	2.64	2.65	2.66
	27°F	24393	23905	23786	23691	23477	2.63	2.65	2.66	2.66	2.67
	32°F	25254	24749	24626	24527	24306	2.65	2.67	2.67	2.68	2.69
	35°F	25771	25256	25129	25029	24804	2.65	2.68	2.68	2.69	2.70
	37°F	27321	26774	26640	26534	26295	2.68	2.70	2.71	2.71	2.72
	42°F	31194	30571	30418	30296	30023	2.74	2.76	2.77	2.77	2.78
	44.6°F	32744	32089	31929	31801	31515	2.76	2.79	2.79	2.80	2.81
	47°F	35068	34367	34195	34058	33752	2.80	2.82	2.83	2.83	2.85
	52°F	32490	31840	31681	31554	31270	2.72	2.74	2.74	2.75	2.76
	57°F	29911	29313	29166	29050	28788	2.64	2.66	2.66	2.67	2.68
	59°F	28880	28302	28161	28048	27796	2.60	2.62	2.63	2.63	2.64
62°F	27333	26786	26652	26545	26307	2.55	2.57	2.58	2.58	2.59	
64.4°F	26301	25775	25646	25544	25314	2.52	2.54	2.55	2.55	2.56	

30MUC0-HE-SYS-A Expanded Cooling @ 712 CFM

CFM	OD DB (°F)	ID WB(°F)	60.8°F					66.2°F					71.6°F				
			ID DB(°F)	73.4°F	77.0°F	80.0°F	80.6°F	84.2°F	73.4°F	77.0°F	80.0°F	80.6°F	84.2°F	73.4°F	77.0°F	80.0°F	80.6°F
712	50°F	TC	25708	25743	25771	25772	25806	28886	28924	28956	28961	28993	30626	30660	30693	30698	30736
		S/T	0.40	0.47	0.54	0.54	0.61	0.45	0.53	0.60	0.60	0.69	0.48	0.56	0.64	0.64	0.73
		PI	1.35	1.35	1.35	1.35	1.36	1.52	1.52	1.52	1.52	1.52	1.61	1.61	1.61	1.61	1.62
	59°F	TC	25223	25257	25284	25285	25319	28341	28378	28409	28415	28446	30048	30081	30114	30118	30156
		S/T	0.41	0.48	0.54	0.54	0.62	0.46	0.53	0.61	0.61	0.69	0.48	0.57	0.64	0.64	0.73
		PI	1.39	1.39	1.40	1.40	1.40	1.56	1.57	1.57	1.57	1.57	1.66	1.66	1.66	1.66	1.66
	68°F	TC	24738	24771	24798	24799	24832	27796	27832	27863	27868	27899	29470	29502	29534	29539	29576
		S/T	0.42	0.49	0.55	0.55	0.63	0.47	0.55	0.62	0.62	0.71	0.50	0.58	0.66	0.66	0.75
		PI	1.43	1.44	1.44	1.44	1.44	1.61	1.61	1.61	1.61	1.62	1.71	1.71	1.71	1.71	1.71
	77°F	TC	24253	24285	24311	24312	24345	27250	27286	27316	27321	27352	28892	28924	28955	28960	28996
		S/T	0.42	0.49	0.56	0.56	0.64	0.47	0.56	0.63	0.63	0.72	0.50	0.59	0.67	0.67	0.76
		PI	1.47	1.48	1.48	1.48	1.48	1.66	1.66	1.66	1.66	1.66	1.76	1.76	1.76	1.76	1.76
	82°F	TC	24088	24120	24146	24147	24180	27065	27100	27130	27135	27166	28696	28727	28758	28763	28799
		S/T	0.43	0.50	0.57	0.57	0.65	0.48	0.56	0.64	0.64	0.73	0.51	0.60	0.68	0.68	0.77
		PI	1.49	1.49	1.49	1.49	1.49	1.67	1.68	1.68	1.68	1.68	1.77	1.78	1.78	1.78	1.78
	86°F	TC	24531	24564	24591	24592	24625	27563	27599	27630	27635	27666	29224	29256	29288	29292	29329
		S/T	0.43	0.51	0.58	0.58	0.66	0.49	0.57	0.65	0.65	0.74	0.51	0.60	0.69	0.69	0.78
		PI	1.82	1.82	1.82	1.82	1.82	2.04	2.04	2.05	2.05	2.05	2.16	2.17	2.17	2.17	2.17
	95°F	TC	25203	25237	25264	25265	25299	28318	28355	28387	28392	28424	30025	30057	30090	30095	30132
		S/T	0.43	0.51	0.58	0.58	0.66	0.49	0.57	0.65	0.65	0.74	0.51	0.60	0.69	0.69	0.78
		PI	2.31	2.32	2.32	2.32	2.32	2.60	2.60	2.61	2.61	2.61	2.76	2.76	2.76	2.76	2.77
	104°F	TC	21612	21641	21664	21665	21694	24283	24315	24342	24346	24373	25746	25774	25802	25806	25838
		S/T	0.44	0.52	0.59	0.59	0.67	0.50	0.58	0.66	0.66	0.76	0.53	0.62	0.70	0.70	0.80
		PI	2.47	2.48	2.48	2.48	2.48	2.78	2.78	2.79	2.79	2.79	2.95	2.95	2.95	2.95	2.96
109°F	TC	19457	19483	19504	19505	19531	21862	21890	21915	21919	21943	23179	23204	23230	23233	23262	
	S/T	0.46	0.54	0.61	0.61	0.70	0.52	0.61	0.69	0.69	0.78	0.55	0.64	0.73	0.73	0.83	
	PI	2.57	2.57	2.58	2.58	2.58	2.89	2.89	2.89	2.90	2.90	3.06	3.07	3.07	3.07	3.07	
115°F	TC	16757	16780	16798	16798	16821	18828	18853	18874	18877	18898	19963	19985	20006	20009	20034	
	S/T	0.46	0.55	0.62	0.62	0.71	0.52	0.61	0.70	0.70	0.79	0.55	0.65	0.74	0.74	0.84	
	PI	2.34	2.34	2.35	2.35	2.35	2.63	2.63	2.64	2.64	2.64	2.79	2.79	2.80	2.80	2.80	
122°F	TC	13157	13175	13189	13190	13208	14784	14803	14819	14822	14839	15674	15691	15709	15711	15731	
	S/T	0.48	0.56	0.63	0.63	0.72	0.53	0.63	0.71	0.71	0.81	0.57	0.66	0.75	0.75	0.86	
	PI	2.04	2.04	2.04	2.04	2.04	2.29	2.29	2.29	2.29	2.30	2.43	2.43	2.43	2.43	2.43	

TC:Total Cooling Capacity (BTU/hr)

S/T:Sensible Cooling Capacity Ratio

PI:Power Input(kW)

30MUC0-HE-SYS-A Expanded Cooling @ 806 CFM

CFM	OD DB (°F)	ID WB(°F)	60.8°F					66.2°F					71.6°F				
			ID DB(°F)	73.4°F	77.0°F	80.0°F	80.6°F	84.2°F	73.4°F	77.0°F	80.0°F	80.6°F	84.2°F	73.4°F	77.0°F	80.0°F	80.6°F
806	50°F	TC	27587	27624	27654	27655	27692	30997	31037	31072	31077	31112	32864	32900	32936	32941	32982
		S/T	0.43	0.51	0.58	0.58	0.66	0.49	0.57	0.65	0.65	0.74	0.52	0.60	0.69	0.69	0.78
		PI	1.45	1.45	1.45	1.45	1.46	1.63	1.63	1.63	1.63	1.63	1.73	1.73	1.73	1.73	1.73
	59°F	TC	27066	27102	27132	27133	27169	30412	30451	30485	30491	30525	32244	32279	32314	32319	32360
		S/T	0.43	0.51	0.58	0.58	0.66	0.49	0.57	0.65	0.65	0.74	0.52	0.61	0.69	0.69	0.79
		PI	1.49	1.50	1.50	1.50	1.50	1.68	1.68	1.68	1.68	1.68	1.78	1.78	1.78	1.78	1.79
	68°F	TC	26545	26581	26610	26611	26647	29827	29865	29899	29904	29938	31624	31658	31693	31698	31737
		S/T	0.45	0.52	0.60	0.60	0.68	0.50	0.59	0.67	0.67	0.76	0.53	0.62	0.71	0.71	0.81
		PI	1.54	1.54	1.54	1.54	1.54	1.73	1.73	1.73	1.73	1.73	1.83	1.83	1.84	1.84	1.84
	77°F	TC	26025	26060	26088	26089	26124	29242	29280	29312	29318	29350	31003	31037	31071	31076	31115
		S/T	0.45	0.53	0.60	0.60	0.69	0.51	0.60	0.68	0.68	0.77	0.54	0.63	0.72	0.72	0.82
		PI	1.58	1.58	1.59	1.59	1.59	1.78	1.78	1.78	1.78	1.78	1.89	1.89	1.89	1.89	1.89
	82°F	TC	25848	25882	25910	25911	25946	29043	29080	29113	29118	29151	30793	30826	30860	30864	30903
		S/T	0.46	0.54	0.61	0.61	0.70	0.51	0.60	0.69	0.69	0.78	0.55	0.64	0.73	0.73	0.83
		PI	1.60	1.60	1.60	1.60	1.60	1.80	1.80	1.80	1.80	1.80	1.90	1.91	1.91	1.91	1.91
	86°F	TC	26324	26359	26387	26389	26424	29577	29616	29649	29654	29687	31360	31394	31428	31433	31472
		S/T	0.46	0.54	0.62	0.62	0.70	0.52	0.61	0.69	0.69	0.79	0.55	0.65	0.74	0.74	0.84
		PI	1.95	1.95	1.95	1.95	1.96	2.19	2.19	2.20	2.20	2.20	2.32	2.33	2.33	2.33	2.33
	95°F	TC	27045	27081	27110	27111	27148	30388	30427	30461	30467	30501	32219	32254	32289	32294	32334
		S/T	0.46	0.54	0.62	0.62	0.70	0.52	0.61	0.69	0.69	0.79	0.55	0.65	0.74	0.74	0.84
		PI	2.48	2.49	2.49	2.49	2.49	2.79	2.79	2.80	2.80	2.80	2.96	2.96	2.97	2.97	2.97
	104°F	TC	23191	23222	23247	23248	23279	26058	26091	26120	26125	26154	27628	27658	27688	27692	27726
		S/T	0.48	0.56	0.63	0.63	0.72	0.53	0.63	0.71	0.71	0.81	0.57	0.66	0.75	0.75	0.86
		PI	2.66	2.66	2.66	2.66	2.67	2.98	2.99	2.99	2.99	2.99	3.16	3.17	3.17	3.17	3.17
109°F	TC	20879	20907	20929	20930	20958	23459	23490	23516	23520	23547	24873	24900	24927	24931	24962	
	S/T	0.49	0.58	0.66	0.66	0.75	0.55	0.65	0.74	0.74	0.84	0.59	0.69	0.78	0.78	0.89	
	PI	2.76	2.76	2.76	2.76	2.77	3.10	3.10	3.11	3.11	3.11	3.29	3.29	3.29	3.29	3.30	
115°F	TC	17982	18006	18025	18026	18050	20204	20230	20253	20257	20279	21422	21445	21468	21472	21498	
	S/T	0.50	0.58	0.66	0.66	0.76	0.56	0.66	0.75	0.75	0.85	0.59	0.70	0.79	0.79	0.90	
	PI	2.51	2.52	2.52	2.52	2.52	2.82	2.83	2.83	2.83	2.83	2.99	3.00	3.00	3.00	3.00	
122°F	TC	14119	14138	14153	14154	14173	15864	15885	15902	15905	15923	16820	16838	16856	16859	16880	
	S/T	0.51	0.60	0.68	0.68	0.78	0.57	0.67	0.76	0.76	0.87	0.61	0.71	0.81	0.81	0.92	
	PI	2.19	2.19	2.19	2.19	2.19	2.46	2.46	2.46	2.46	2.46	2.60	2.61	2.61	2.61	2.61	

TC:Total Cooling Capacity (BTU/hr)

S/T:Sensible Cooling Capacity Ratio

PI:Power Input(kW)

30MUC0-HE-SYS-A Expanded Cooling @ 894 CFM

CFM	OD DB (°F)	ID WB(°F)	60.8°F					66.2°F					71.6°F				
			ID DB(°F)	73.4°F	77.0°F	80.0°F	80.6°F	84.2°F	73.4°F	77.0°F	80.0°F	80.6°F	84.2°F	73.4°F	77.0°F	80.0°F	80.6°F
894	50°F	TC	29603	29642	29674	29676	29716	33262	33305	33342	33348	33385	35266	35304	35343	35348	35392
		S/T	0.46	0.54	0.62	0.62	0.71	0.52	0.61	0.70	0.70	0.79	0.55	0.65	0.74	0.74	0.84
		PI	1.56	1.56	1.56	1.56	1.56	1.75	1.75	1.75	1.75	1.75	1.85	1.86	1.86	1.86	1.86
	59°F	TC	29044	29083	29114	29115	29155	32634	32676	32713	32719	32755	34600	34638	34675	34681	34724
		S/T	0.47	0.55	0.62	0.62	0.71	0.52	0.62	0.70	0.70	0.80	0.56	0.65	0.74	0.74	0.84
		PI	1.60	1.61	1.61	1.61	1.61	1.80	1.80	1.81	1.81	1.81	1.91	1.91	1.91	1.91	1.92
	68°F	TC	28485	28523	28554	28555	28594	32006	32048	32083	32089	32125	33935	33971	34008	34014	34056
		S/T	0.48	0.56	0.64	0.64	0.73	0.54	0.63	0.72	0.72	0.82	0.57	0.67	0.76	0.76	0.87
		PI	1.65	1.65	1.65	1.65	1.66	1.85	1.86	1.86	1.86	1.86	1.97	1.97	1.97	1.97	1.97
	77°F	TC	27926	27964	27994	27995	28033	31378	31419	31454	31460	31495	33269	33305	33341	33347	33388
		S/T	0.49	0.57	0.65	0.65	0.74	0.55	0.64	0.73	0.73	0.83	0.58	0.68	0.77	0.77	0.88
		PI	1.70	1.70	1.70	1.70	1.70	1.91	1.91	1.91	1.91	1.92	2.02	2.03	2.03	2.03	2.03
	82°F	TC	27736	27774	27804	27805	27842	31165	31205	31240	31246	31281	33043	33079	33115	33120	33161
		S/T	0.49	0.58	0.66	0.66	0.75	0.55	0.65	0.74	0.74	0.84	0.59	0.69	0.78	0.78	0.89
		PI	1.71	1.72	1.72	1.72	1.72	1.93	1.93	1.93	1.93	1.93	2.04	2.04	2.05	2.05	2.05
	86°F	TC	28247	28285	28316	28317	28355	31739	31780	31815	31821	31857	33651	33688	33724	33730	33772
		S/T	0.50	0.58	0.66	0.66	0.76	0.56	0.66	0.75	0.75	0.85	0.59	0.70	0.79	0.79	0.90
		PI	2.09	2.10	2.10	2.10	2.10	2.35	2.35	2.36	2.36	2.36	2.49	2.50	2.50	2.50	2.50
	95°F	TC	29021	29060	29091	29093	29132	32608	32651	32687	32693	32729	34573	34610	34648	34653	34697
		S/T	0.50	0.58	0.66	0.66	0.76	0.56	0.66	0.75	0.75	0.85	0.59	0.70	0.79	0.79	0.90
		PI	2.67	2.67	2.67	2.67	2.68	2.99	3.00	3.00	3.00	3.01	3.17	3.18	3.18	3.18	3.19
	104°F	TC	24885	24919	24946	24947	24981	27962	27998	28029	28034	28066	29646	29679	29711	29715	29752
		S/T	0.51	0.60	0.68	0.68	0.78	0.57	0.67	0.76	0.76	0.87	0.61	0.71	0.81	0.81	0.92
		PI	2.85	2.85	2.86	2.86	2.86	3.20	3.21	3.21	3.21	3.21	3.39	3.40	3.40	3.40	3.41
109°F	TC	22404	22434	22459	22460	22490	25174	25206	25234	25239	25267	26690	26719	26748	26753	26786	
	S/T	0.53	0.62	0.70	0.71	0.80	0.59	0.70	0.79	0.79	0.90	0.63	0.74	0.84	0.84	0.96	
	PI	2.96	2.96	2.97	2.97	2.97	3.33	3.33	3.33	3.33	3.34	3.53	3.53	3.53	3.53	3.54	
115°F	TC	19295	19321	19342	19343	19369	21681	21709	21733	21737	21761	22987	23012	23037	23040	23069	
	S/T	0.53	0.63	0.71	0.71	0.81	0.60	0.71	0.80	0.80	0.91	0.64	0.75	0.85	0.85	0.97	
	PI	2.70	2.70	2.70	2.70	2.71	3.03	3.03	3.04	3.04	3.04	3.21	3.22	3.22	3.22	3.22	
122°F	TC	15150	15171	15187	15188	15208	17023	17045	17064	17067	17086	18049	18068	18088	18091	18113	
	S/T	0.55	0.64	0.73	0.73	0.83	0.62	0.72	0.82	0.82	0.93	0.65	0.76	0.87	0.87	0.99	
	PI	2.34	2.35	2.35	2.35	2.35	2.63	2.64	2.64	2.64	2.64	2.79	2.80	2.80	2.80	2.80	

TC:Total Cooling Capacity (BTU/hr)

S/T:Sensible Cooling Capacity Ratio

PI:Power Input(kW)

30MUC0-HE-SYS-A Expanded Cooling @ 988 CFM

CFM	OD DB (°F)	ID WB(°F)	60.8°F					66.2°F					71.6°F				
			ID DB(°F)	73.4°F	77.0°F	80.0°F	80.6°F	84.2°F	73.4°F	77.0°F	80.0°F	80.6°F	84.2°F	73.4°F	77.0°F	80.0°F	80.6°F
988	50°F	TC	31766	31808	31843	31844	31887	35692	35738	35778	35785	35825	37843	37884	37925	37931	37978
		S/T	0.50	0.58	0.66	0.66	0.76	0.56	0.66	0.75	0.75	0.85	0.59	0.70	0.79	0.79	0.90
		PI	1.67	1.67	1.67	1.67	1.68	1.88	1.88	1.88	1.88	1.88	1.99	1.99	1.99	1.99	2.00
	59°F	TC	31166	31208	31242	31243	31285	35018	35064	35103	35110	35149	37128	37169	37209	37215	37261
		S/T	0.50	0.59	0.67	0.67	0.76	0.56	0.66	0.75	0.75	0.86	0.60	0.70	0.80	0.80	0.91
		PI	1.72	1.72	1.72	1.72	1.73	1.93	1.94	1.94	1.94	1.94	2.05	2.05	2.05	2.05	2.06
	68°F	TC	30567	30608	30641	30642	30683	34345	34389	34428	34434	34473	36414	36454	36493	36499	36545
		S/T	0.51	0.60	0.69	0.69	0.78	0.58	0.68	0.77	0.77	0.88	0.61	0.72	0.82	0.82	0.93
		PI	1.77	1.77	1.78	1.78	1.78	1.99	1.99	2.00	2.00	2.00	2.11	2.11	2.11	2.12	2.12
	77°F	TC	29967	30007	30040	30041	30081	33671	33715	33752	33759	33796	35700	35739	35778	35783	35828
		S/T	0.52	0.61	0.69	0.69	0.79	0.59	0.69	0.78	0.78	0.89	0.62	0.73	0.83	0.83	0.94
		PI	1.82	1.82	1.83	1.83	1.83	2.05	2.05	2.05	2.05	2.06	2.17	2.17	2.18	2.18	2.18
	82°F	TC	29763	29803	29835	29837	29877	33442	33486	33523	33529	33567	35457	35496	35534	35540	35584
		S/T	0.53	0.62	0.70	0.70	0.80	0.59	0.70	0.79	0.79	0.90	0.63	0.74	0.84	0.84	0.95
		PI	1.84	1.84	1.84	1.84	1.85	2.07	2.07	2.07	2.07	2.07	2.19	2.19	2.20	2.20	2.20
	86°F	TC	30311	30352	30385	30386	30427	34058	34102	34140	34146	34185	36110	36149	36189	36194	36239
		S/T	0.53	0.63	0.71	0.71	0.81	0.60	0.70	0.80	0.80	0.91	0.64	0.75	0.85	0.85	0.97
		PI	2.25	2.25	2.25	2.25	2.25	2.52	2.53	2.53	2.53	2.53	2.67	2.68	2.68	2.68	2.68
	95°F	TC	31141	31183	31217	31218	31260	34991	35036	35075	35082	35121	37099	37139	37180	37186	37232
		S/T	0.53	0.63	0.71	0.71	0.81	0.60	0.70	0.80	0.80	0.91	0.64	0.75	0.85	0.85	0.97
		PI	2.86	2.86	2.87	2.87	2.87	3.21	3.22	3.22	3.22	3.23	3.41	3.41	3.41	3.41	3.42
	104°F	TC	26704	26740	26769	26770	26806	30005	30044	30077	30083	30116	31813	31847	31882	31887	31927
		S/T	0.55	0.64	0.73	0.73	0.83	0.62	0.72	0.82	0.82	0.93	0.65	0.76	0.87	0.87	0.99
		PI	3.06	3.06	3.06	3.06	3.07	3.44	3.44	3.44	3.44	3.45	3.64	3.65	3.65	3.65	3.66
109°F	TC	24041	24074	24100	24101	24133	27013	27048	27078	27083	27114	28641	28672	28703	28707	28743	
	S/T	0.57	0.67	0.76	0.76	0.86	0.64	0.75	0.85	0.85	0.97	0.68	0.79	0.90	0.90	1.00	
	PI	3.18	3.18	3.18	3.18	3.19	3.57	3.57	3.58	3.58	3.58	3.78	3.79	3.79	3.79	3.80	
115°F	TC	20705	20733	20756	20757	20784	23265	23295	23321	23325	23351	24667	24693	24720	24724	24755	
	S/T	0.57	0.67	0.77	0.77	0.87	0.65	0.76	0.86	0.86	0.98	0.68	0.80	0.91	0.91	1.00	
	PI	2.89	2.90	2.90	2.90	2.90	3.25	3.25	3.26	3.26	3.26	3.45	3.45	3.45	3.45	3.46	
122°F	TC	16257	16279	16297	16298	16320	18267	18291	18311	18315	18335	19368	19389	19410	19413	19437	
	S/T	0.59	0.69	0.78	0.78	0.89	0.66	0.77	0.88	0.88	1.00	0.70	0.82	0.93	0.93	1.00	
	PI	2.52	2.52	2.52	2.52	2.53	2.83	2.83	2.83	2.83	2.84	3.00	3.00	3.00	3.00	3.01	

TC:Total Cooling Capacity (BTU/hr)

S/T:Sensible Cooling Capacity Ratio

PI:Power Input(kW)

30MUC0-HE-SYS-A Expanded Heating @ 712 CFM

CFM	HEATING PERFORMANCE AT INDOOR DRY BULB TEMPERATURE										
	OD DB (°F)	TC: Total Heating Capacity(BTU/hr)					PI: Power Input(kW)				
		Indoor Conditions (DB °F)					Indoor Conditions (DB °F)				
		60.8°F	68°F	70°F	71.6°F	75.2°F	60.8°F	68°F	70°F	71.6°F	75.2°F
712	-13°F	10152	9949	9899	9785	9697	2.72	2.74	2.74	2.75	2.76
	-4°F	13052	12791	12727	12580	12467	2.68	2.71	2.71	2.72	2.73
	0°F	14143	13860	13791	13632	13509	2.82	2.84	2.85	2.85	2.86
	5°F	15507	15197	15121	14946	14812	2.98	3.01	3.01	3.02	3.03
	14°F	15505	15195	15119	14944	14810	2.69	2.72	2.72	2.73	2.74
	17°F	15505	15194	15118	14944	14809	2.60	2.62	2.62	2.63	2.64
	22°F	16428	16099	16019	15834	15691	2.59	2.61	2.61	2.62	2.63
	27°F	17352	17005	16919	16724	16573	2.58	2.60	2.60	2.61	2.62
	32°F	18275	17910	17820	17614	17455	2.57	2.59	2.59	2.60	2.61
	35°F	18829	18453	18360	18148	17984	2.56	2.58	2.59	2.59	2.60
	37°F	20219	19814	19715	19487	19312	2.58	2.60	2.61	2.61	2.62
	42°F	23692	23219	23102	22835	22630	2.63	2.65	2.66	2.66	2.68
	44.6°F	25082	24580	24457	24174	23957	2.65	2.67	2.68	2.68	2.70
	47°F	27166	26623	26490	26183	25948	2.68	2.70	2.71	2.72	2.73
	52°F	25169	24665	24542	24258	24040	2.60	2.63	2.63	2.64	2.65
	57°F	23171	22708	22594	22333	22132	2.53	2.55	2.55	2.56	2.57
	59°F	22372	21925	21815	21563	21369	2.49	2.51	2.52	2.52	2.53
62°F	21174	20750	20646	20407	20224	2.45	2.47	2.47	2.48	2.49	
64.4°F	20375	19967	19867	19637	19461	2.41	2.43	2.44	2.44	2.45	

30MUC0-HE-SYS-A Expanded Heating @ 806 CFM

CFM	HEATING PERFORMANCE AT INDOOR DRY BULB TEMPERATURE										
	OD DB (°F)	TC: Total Heating Capacity(BTU/hr)					PI: Power Input(kW)				
		Indoor Conditions (DB °F)					Indoor Conditions (DB °F)				
		60.8°F	68°F	70°F	71.6°F	75.2°F	60.8°F	68°F	70°F	71.6°F	75.2°F
806	-13°F	10894	10676	10623	10540	10445	2.74	2.77	2.77	2.78	2.79
	-4°F	14006	13726	13657	13551	13429	2.71	2.73	2.74	2.74	2.75
	0°F	15177	14873	14799	14684	14551	2.85	2.87	2.87	2.88	2.89
	5°F	16640	16308	16226	16100	15955	3.01	3.04	3.05	3.05	3.06
	14°F	16638	16305	16224	16097	15953	2.72	2.74	2.75	2.76	2.77
	17°F	16637	16305	16223	16097	15952	2.62	2.65	2.65	2.66	2.67
	22°F	17628	17276	17190	17056	16902	2.61	2.64	2.64	2.65	2.66
	27°F	18619	18247	18156	18014	17852	2.60	2.63	2.63	2.64	2.65
	32°F	19610	19218	19122	18973	18802	2.59	2.61	2.62	2.63	2.64
	35°F	20205	19801	19702	19548	19372	2.59	2.61	2.61	2.62	2.63
	37°F	21696	21262	21156	20991	20802	2.61	2.63	2.63	2.64	2.65
	42°F	25424	24915	24791	24597	24376	2.66	2.68	2.69	2.69	2.70
	44.6°F	26915	26376	26245	26040	25806	2.68	2.70	2.71	2.71	2.72
	47°F	29151	28568	28425	28204	27950	2.71	2.73	2.74	2.74	2.75
	52°F	27008	26468	26335	26130	25895	2.63	2.65	2.66	2.66	2.67
	57°F	24864	24367	24245	24056	23840	2.55	2.57	2.58	2.58	2.59
	59°F	24007	23527	23409	23227	23018	2.52	2.54	2.54	2.55	2.56
62°F	22721	22266	22155	21982	21785	2.47	2.49	2.50	2.50	2.51	
64.4°F	21863	21426	21319	21153	20963	2.44	2.46	2.46	2.47	2.48	

30MUC0-HE-SYS-A Expanded Heating @ 894 CFM

CFM	HEATING PERFORMANCE AT INDOOR DRY BULB TEMPERATURE										
	OD DB (°F)	TC: Total Heating Capacity(BTU/hr)					PI: Power Input(kW)				
		Indoor Conditions(DB °F)					Indoor Conditions(DB °F)				
		60.8°F	68°F	70°F	71.6°F	75.2°F	60.8°F	68°F	70°F	71.6°F	75.2°F
894	-13°F	11690	11456	11399	11353	11251	2.77	2.79	2.80	2.81	2.82
	-4°F	15029	14729	14655	14596	14465	2.74	2.76	2.77	2.77	2.78
	0°F	16286	15960	15880	15817	15674	2.87	2.90	2.90	2.91	2.92
	5°F	17856	17499	17412	17342	17186	3.05	3.07	3.08	3.08	3.09
	14°F	17854	17497	17409	17340	17184	2.75	2.77	2.78	2.78	2.79
	17°F	17853	17496	17409	17339	17183	2.65	2.67	2.68	2.68	2.69
	22°F	18917	18538	18446	18372	18206	2.64	2.66	2.67	2.67	2.68
	27°F	19980	19580	19482	19405	19230	2.63	2.65	2.66	2.66	2.67
	32°F	21043	20623	20519	20437	20253	2.62	2.64	2.65	2.65	2.66
	35°F	21681	21248	21142	21057	20867	2.61	2.64	2.64	2.65	2.66
	37°F	23281	22816	22702	22611	22407	2.63	2.66	2.66	2.67	2.68
	42°F	27281	26736	26602	26496	26257	2.69	2.71	2.71	2.72	2.73
	44.6°F	28881	28304	28162	28050	27797	2.71	2.73	2.73	2.74	2.75
	47°F	31281	30656	30502	30380	30107	2.74	2.76	2.77	2.77	2.78
	52°F	28981	28402	28260	28147	27893	2.66	2.68	2.68	2.69	2.70
	57°F	26681	26148	26017	25913	25680	2.58	2.60	2.60	2.61	2.62
59°F	25761	25246	25120	25019	24794	2.54	2.56	2.57	2.58	2.59	
62°F	24381	23893	23774	23679	23466	2.50	2.52	2.52	2.53	2.54	
64.4°F	23461	22992	22877	22785	22580	2.46	2.48	2.49	2.49	2.50	

30MUC0-HE-SYS-A Expanded Heating @ 988 CFM

CFM	HEATING PERFORMANCE AT INDOOR DRY BULB TEMPERATURE										
	OD DB (°F)	TC: Total Heating Capacity(BTU/hr)					PI: Power Input(kW)				
		Indoor Conditions (DB °F)					Indoor Conditions (DB °F)				
		60.8°F	68°F	70°F	71.6°F	75.2°F	60.8°F	68°F	70°F	71.6°F	75.2°F
988	-13°F	12544	12293	12232	12183	12073	2.80	2.82	2.83	2.83	2.85
	-4°F	16127	15805	15726	15663	15522	2.77	2.79	2.79	2.80	2.81
	0°F	17476	17126	17041	16973	16820	2.90	2.93	2.93	2.94	2.95
	5°F	19161	18778	18684	18609	18442	3.08	3.10	3.11	3.11	3.13
	14°F	19159	18775	18682	18607	18439	2.78	2.80	2.81	2.81	2.82
	17°F	19158	18775	18681	18606	18439	2.68	2.70	2.71	2.71	2.72
	22°F	20299	19893	19793	19714	19537	2.67	2.69	2.69	2.70	2.71
	27°F	21440	21011	20906	20822	20635	2.66	2.68	2.68	2.69	2.70
	32°F	22581	22129	22019	21931	21733	2.65	2.67	2.67	2.68	2.69
	35°F	23266	22800	22686	22596	22392	2.64	2.66	2.67	2.67	2.68
	37°F	24983	24483	24361	24263	24045	2.66	2.68	2.69	2.69	2.70
	42°F	29275	28689	28546	28432	28176	2.71	2.74	2.74	2.75	2.76
	44.6°F	30992	30372	30220	30099	29828	2.73	2.76	2.76	2.77	2.78
	47°F	33567	32896	32731	32600	32307	2.77	2.79	2.79	2.80	2.81
	52°F	31099	30477	30325	30203	29931	2.68	2.71	2.71	2.72	2.73
	57°F	28631	28058	27918	27806	27556	2.60	2.62	2.63	2.63	2.64
	59°F	27644	27091	26955	26847	26606	2.57	2.59	2.60	2.60	2.61
62°F	26163	25639	25511	25409	25180	2.52	2.54	2.55	2.55	2.56	
64.4°F	25175	24672	24548	24450	24230	2.49	2.51	2.51	2.52	2.53	

36MUC0-HE-SYS-A Expanded Cooling @ 865 CFM

CFM	OD DB (°F)	ID WB(°F)	60.8°F					66.2°F					71.6°F				
			ID DB(°F)	73.4°F	77.0°F	80.0°F	80.6°F	84.2°F	73.4°F	77.0°F	80.0°F	80.6°F	84.2°F	73.4°F	77.0°F	80.0°F	80.6°F
865	50°F	TC	31363	31406	31439	31441	31483	35240	35286	35325	35332	35371	37364	37404	37445	37451	37497
		S/T	0.41	0.48	0.55	0.55	0.63	0.46	0.54	0.62	0.62	0.70	0.49	0.57	0.65	0.65	0.74
		PI	2.29	2.29	2.30	2.30	2.30	2.57	2.58	2.58	2.58	2.58	2.73	2.73	2.74	2.74	2.74
	59°F	TC	32033	32076	32111	32112	32155	35992	36039	36079	36086	36126	38161	38203	38244	38250	38298
		S/T	0.41	0.49	0.55	0.55	0.63	0.46	0.55	0.62	0.62	0.71	0.49	0.58	0.66	0.66	0.75
		PI	2.34	2.35	2.35	2.35	2.35	2.63	2.64	2.64	2.64	2.64	2.79	2.79	2.80	2.80	2.80
	68°F	TC	32702	32746	32782	32783	32827	36745	36792	36833	36840	36881	38959	39001	39043	39050	39098
		S/T	0.42	0.50	0.57	0.57	0.65	0.48	0.56	0.64	0.64	0.72	0.51	0.59	0.67	0.67	0.77
		PI	2.39	2.40	2.40	2.40	2.40	2.69	2.69	2.70	2.70	2.70	2.85	2.86	2.86	2.86	2.86
	77°F	TC	33372	33417	33453	33454	33499	37497	37546	37588	37595	37636	39756	39799	39843	39849	39899
		S/T	0.43	0.50	0.57	0.57	0.65	0.48	0.57	0.64	0.64	0.73	0.51	0.60	0.68	0.68	0.78
		PI	2.45	2.45	2.45	2.45	2.46	2.75	2.75	2.76	2.76	2.76	2.91	2.92	2.92	2.92	2.93
	82°F	TC	33600	33645	33681	33682	33728	37753	37802	37844	37851	37893	40027	40071	40115	40121	40171
		S/T	0.44	0.51	0.58	0.58	0.66	0.49	0.57	0.65	0.65	0.74	0.52	0.61	0.69	0.69	0.79
		PI	2.46	2.47	2.47	2.47	2.47	2.77	2.77	2.78	2.78	2.78	2.94	2.94	2.94	2.94	2.95
	86°F	TC	31313	31355	31389	31390	31432	35183	35229	35268	35275	35314	37303	37344	37384	37390	37437
		S/T	0.44	0.52	0.59	0.59	0.67	0.50	0.58	0.66	0.66	0.75	0.53	0.62	0.70	0.70	0.80
		PI	2.69	2.69	2.70	2.70	2.70	3.02	3.03	3.03	3.03	3.03	3.20	3.21	3.21	3.21	3.22
	95°F	TC	27848	27885	27915	27917	27954	31290	31331	31366	31371	31406	33175	33211	33248	33253	33294
		S/T	0.44	0.52	0.59	0.59	0.67	0.50	0.58	0.66	0.66	0.75	0.53	0.62	0.70	0.70	0.80
		PI	3.03	3.03	3.04	3.04	3.04	3.40	3.41	3.41	3.41	3.42	3.61	3.61	3.62	3.62	3.62
	104°F	TC	24908	24942	24969	24970	25003	27987	28023	28055	28060	28091	29673	29706	29738	29743	29780
		S/T	0.45	0.53	0.60	0.60	0.69	0.51	0.60	0.68	0.68	0.77	0.54	0.63	0.72	0.72	0.82
		PI	2.90	2.91	2.91	2.91	2.91	3.26	3.27	3.27	3.27	3.27	3.46	3.46	3.47	3.47	3.47
109°F	TC	23144	23176	23200	23202	23233	26005	26039	26068	26073	26102	27572	27602	27632	27636	27671	
	S/T	0.47	0.55	0.62	0.62	0.71	0.53	0.62	0.70	0.70	0.80	0.56	0.65	0.74	0.74	0.85	
	PI	2.83	2.83	2.83	2.84	2.84	3.18	3.18	3.19	3.19	3.19	3.37	3.37	3.38	3.38	3.38	
115°F	TC	19727	19754	19775	19776	19803	22166	22195	22220	22224	22248	23502	23527	23553	23556	23586	
	S/T	0.47	0.56	0.63	0.63	0.72	0.53	0.63	0.71	0.71	0.81	0.56	0.66	0.75	0.75	0.86	
	PI	2.68	2.68	2.68	2.68	2.69	3.01	3.01	3.02	3.02	3.02	3.19	3.19	3.20	3.20	3.20	
122°F	TC	15172	15192	15208	15209	15230	17047	17069	17088	17091	17110	18074	18094	18113	18116	18139	
	S/T	0.49	0.57	0.65	0.65	0.74	0.55	0.64	0.73	0.73	0.83	0.58	0.68	0.77	0.77	0.88	
	PI	2.48	2.48	2.48	2.48	2.48	2.78	2.78	2.79	2.79	2.79	2.95	2.95	2.96	2.96	2.96	

TC:Total Cooling Capacity (BTU/hr)

S/T:Sensible Cooling Capacity Ratio

PI:Power Input(kW)

36MUC0-HE-SYS-A Expanded Cooling @ 971 CFM

CFM	OD DB (°F)	ID WB(°F)	60.8°F					66.2°F					71.6°F				
			ID DB(°F)	73.4°F	77.0°F	80.0°F	80.6°F	84.2°F	73.4°F	77.0°F	80.0°F	80.6°F	84.2°F	73.4°F	77.0°F	80.0°F	80.6°F
971	50°F	TC	33429	33474	33510	33511	33556	37561	37610	37652	37659	37701	39824	39867	39911	39917	39967
		S/T	0.44	0.51	0.58	0.58	0.67	0.49	0.58	0.66	0.66	0.75	0.52	0.61	0.70	0.70	0.79
		PI	2.44	2.45	2.45	2.45	2.45	2.74	2.75	2.75	2.75	2.75	2.91	2.91	2.92	2.92	2.92
	59°F	TC	34142	34188	34225	34227	34273	38363	38412	38455	38462	38505	40674	40718	40763	40769	40820
		S/T	0.44	0.52	0.59	0.59	0.67	0.50	0.58	0.66	0.66	0.75	0.52	0.62	0.70	0.70	0.80
		PI	2.50	2.50	2.50	2.50	2.51	2.81	2.81	2.81	2.81	2.82	2.98	2.98	2.98	2.98	2.99
	68°F	TC	34856	34903	34940	34942	34989	39164	39215	39259	39266	39310	41524	41569	41615	41621	41673
		S/T	0.45	0.53	0.60	0.60	0.69	0.51	0.60	0.68	0.68	0.77	0.54	0.63	0.72	0.72	0.82
		PI	2.55	2.56	2.56	2.56	2.56	2.87	2.87	2.88	2.88	2.88	3.04	3.04	3.05	3.05	3.05
	77°F	TC	35569	35617	35656	35657	35705	39966	40018	40063	40070	40115	42374	42420	42466	42473	42526
		S/T	0.46	0.54	0.61	0.61	0.70	0.51	0.60	0.69	0.69	0.78	0.55	0.64	0.73	0.73	0.83
		PI	2.61	2.61	2.61	2.61	2.62	2.93	2.93	2.94	2.94	2.94	3.11	3.11	3.11	3.11	3.12
	82°F	TC	35812	35860	35899	35900	35949	40239	40291	40336	40343	40388	42663	42710	42756	42763	42816
		S/T	0.46	0.54	0.62	0.62	0.71	0.52	0.61	0.70	0.70	0.79	0.55	0.65	0.74	0.74	0.84
		PI	2.63	2.63	2.63	2.63	2.64	2.95	2.96	2.96	2.96	2.96	3.13	3.13	3.14	3.14	3.14
	86°F	TC	33375	33420	33456	33457	33502	37500	37549	37591	37598	37640	39760	39803	39846	39852	39902
		S/T	0.47	0.55	0.63	0.63	0.71	0.53	0.62	0.70	0.70	0.80	0.56	0.66	0.75	0.75	0.85
		PI	2.87	2.87	2.87	2.87	2.88	3.22	3.22	3.23	3.23	3.23	3.41	3.42	3.42	3.42	3.43
	95°F	TC	29682	29722	29754	29755	29795	33351	33394	33431	33437	33475	35360	35398	35437	35442	35487
		S/T	0.47	0.55	0.63	0.63	0.71	0.53	0.62	0.70	0.70	0.80	0.56	0.66	0.75	0.75	0.85
		PI	3.23	3.23	3.24	3.24	3.24	3.63	3.63	3.64	3.64	3.64	3.85	3.85	3.86	3.86	3.86
	104°F	TC	26548	26584	26613	26614	26650	29830	29869	29902	29908	29941	31627	31662	31696	31701	31741
		S/T	0.48	0.57	0.64	0.64	0.73	0.54	0.64	0.72	0.72	0.82	0.57	0.67	0.77	0.77	0.87
		PI	3.09	3.10	3.10	3.10	3.11	3.48	3.48	3.49	3.49	3.49	3.69	3.69	3.70	3.70	3.70
109°F	TC	24668	24702	24728	24729	24763	27718	27754	27785	27790	27821	29388	29420	29452	29456	29493	
	S/T	0.50	0.59	0.67	0.67	0.76	0.56	0.66	0.75	0.75	0.85	0.59	0.70	0.79	0.79	0.90	
	PI	3.01	3.02	3.02	3.02	3.03	3.39	3.39	3.40	3.40	3.40	3.59	3.59	3.60	3.60	3.60	
115°F	TC	21027	21055	21077	21078	21107	23626	23656	23683	23687	23714	25049	25076	25104	25108	25139	
	S/T	0.51	0.59	0.67	0.67	0.77	0.57	0.67	0.76	0.76	0.86	0.60	0.71	0.80	0.80	0.91	
	PI	2.85	2.86	2.86	2.86	2.86	3.21	3.21	3.21	3.21	3.22	3.40	3.40	3.41	3.41	3.41	
122°F	TC	16171	16192	16210	16211	16232	18169	18193	18213	18217	18237	19264	19285	19306	19309	19333	
	S/T	0.52	0.61	0.69	0.69	0.79	0.58	0.68	0.77	0.77	0.88	0.62	0.72	0.82	0.82	0.94	
	PI	2.64	2.64	2.64	2.64	2.65	2.96	2.97	2.97	2.97	2.98	3.14	3.15	3.15	3.15	3.15	

TC:Total Cooling Capacity (BTU/hr)

S/T:Sensible Cooling Capacity Ratio

PI:Power Input(kW)

36MUC0-HE-SYS-A Expanded Cooling @ 1082 CFM

CFM	OD DB (°F)	ID WB(°F)	60.8°F					66.2°F					71.6°F				
			ID DB(°F)	73.4°F	77.0°F	80.0°F	80.6°F	84.2°F	73.4°F	77.0°F	80.0°F	80.6°F	84.2°F	73.4°F	77.0°F	80.0°F	80.6°F
1082	50°F	TC	35630	35678	35716	35718	35766	40034	40086	40131	40138	40183	42446	42492	42539	42545	42598
		S/T	0.47	0.55	0.62	0.62	0.71	0.53	0.62	0.70	0.70	0.80	0.56	0.65	0.74	0.74	0.85
		PI	2.60	2.61	2.61	2.61	2.61	2.92	2.93	2.93	2.93	2.94	3.10	3.10	3.11	3.11	3.11
	59°F	TC	36391	36440	36479	36480	36530	40889	40942	40988	40995	41041	43352	43400	43447	43454	43508
		S/T	0.47	0.55	0.63	0.63	0.71	0.53	0.62	0.70	0.70	0.80	0.56	0.66	0.75	0.75	0.85
		PI	2.66	2.67	2.67	2.67	2.67	2.99	2.99	3.00	3.00	3.00	3.17	3.17	3.18	3.18	3.18
	68°F	TC	37151	37201	37241	37243	37293	41743	41798	41844	41852	41899	44259	44307	44355	44362	44417
		S/T	0.48	0.57	0.64	0.64	0.73	0.54	0.64	0.72	0.72	0.82	0.57	0.67	0.77	0.77	0.87
		PI	2.72	2.72	2.73	2.73	2.73	3.06	3.06	3.06	3.06	3.07	3.24	3.24	3.25	3.25	3.25
	77°F	TC	37912	37963	38004	38005	38057	42598	42653	42701	42709	42756	45165	45214	45263	45270	45326
		S/T	0.49	0.57	0.65	0.65	0.74	0.55	0.64	0.73	0.73	0.83	0.58	0.68	0.78	0.78	0.88
		PI	2.78	2.78	2.79	2.79	2.79	3.12	3.13	3.13	3.13	3.13	3.31	3.32	3.32	3.32	3.32
	82°F	TC	38170	38222	38263	38265	38316	42889	42944	42992	43000	43048	45473	45522	45572	45579	45635
		S/T	0.49	0.58	0.66	0.66	0.75	0.56	0.65	0.74	0.74	0.84	0.59	0.69	0.79	0.79	0.90
		PI	2.80	2.80	2.81	2.81	2.81	3.15	3.15	3.15	3.15	3.16	3.34	3.34	3.34	3.34	3.35
	86°F	TC	35572	35620	35659	35660	35708	39969	40021	40066	40073	40118	42378	42424	42470	42477	42529
		S/T	0.50	0.59	0.67	0.67	0.76	0.56	0.66	0.75	0.75	0.86	0.60	0.70	0.80	0.80	0.91
		PI	3.06	3.06	3.06	3.06	3.07	3.43	3.44	3.44	3.44	3.45	3.64	3.64	3.65	3.65	3.65
	95°F	TC	31636	31679	31713	31714	31757	35547	35593	35633	35639	35679	37688	37729	37771	37776	37823
		S/T	0.50	0.59	0.67	0.67	0.76	0.56	0.66	0.75	0.75	0.86	0.60	0.70	0.80	0.80	0.91
		PI	3.44	3.45	3.45	3.45	3.46	3.87	3.87	3.88	3.88	3.88	4.10	4.10	4.11	4.11	4.12
	104°F	TC	28297	28335	28365	28366	28405	31794	31836	31871	31877	31913	33710	33747	33783	33789	33831
		S/T	0.51	0.60	0.68	0.68	0.78	0.58	0.68	0.77	0.77	0.88	0.61	0.72	0.82	0.82	0.93
		PI	3.30	3.30	3.31	3.31	3.31	3.71	3.71	3.72	3.72	3.72	3.93	3.93	3.94	3.94	3.94
109°F	TC	26293	26328	26357	26358	26393	29543	29581	29614	29620	29653	31323	31357	31391	31396	31435	
	S/T	0.53	0.62	0.71	0.71	0.81	0.60	0.70	0.80	0.80	0.91	0.63	0.74	0.85	0.85	0.96	
	PI	3.21	3.22	3.22	3.22	3.23	3.61	3.61	3.62	3.62	3.62	3.83	3.83	3.84	3.84	3.84	
115°F	TC	22411	22441	22465	22466	22497	25181	25214	25242	25247	25275	26699	26728	26757	26761	26794	
	S/T	0.54	0.63	0.72	0.72	0.82	0.61	0.71	0.81	0.81	0.92	0.64	0.75	0.86	0.86	0.98	
	PI	3.04	3.05	3.05	3.05	3.05	3.42	3.42	3.43	3.43	3.43	3.62	3.63	3.63	3.63	3.64	
122°F	TC	17235	17259	17277	17278	17301	19366	19391	19413	19416	19438	20533	20555	20577	20581	20606	
	S/T	0.55	0.65	0.73	0.73	0.84	0.62	0.73	0.83	0.83	0.94	0.66	0.77	0.88	0.88	1.00	
	PI	2.81	2.82	2.82	2.82	2.82	3.16	3.16	3.17	3.17	3.17	3.35	3.35	3.36	3.36	3.36	

TC:Total Cooling Capacity (BTU/hr)

S/T:Sensible Cooling Capacity Ratio

PI:Power Input(kW)

36MUC0-HE-SYS-A Expanded Cooling @ 1188 CFM

CFM	OD DB (°F)	ID WB(°F)	60.8°F					66.2°F					71.6°F				
			ID DB(°F)	73.4°F	77.0°F	80.0°F	80.6°F	84.2°F	73.4°F	77.0°F	80.0°F	80.6°F	84.2°F	73.4°F	77.0°F	80.0°F	80.6°F
1188	50°F	TC	37976	38027	38068	38070	38121	42670	42726	42774	42781	42829	45241	45291	45340	45347	45403
		S/T	0.50	0.58	0.66	0.66	0.76	0.56	0.66	0.75	0.75	0.85	0.59	0.70	0.79	0.79	0.90
		PI	2.77	2.78	2.78	2.78	2.78	3.12	3.12	3.12	3.13	3.13	3.30	3.31	3.31	3.31	3.32
	59°F	TC	38787	38839	38881	38883	38935	43581	43638	43687	43695	43743	46207	46257	46308	46315	46373
		S/T	0.50	0.59	0.67	0.67	0.76	0.56	0.66	0.75	0.75	0.86	0.60	0.70	0.80	0.80	0.91
		PI	2.84	2.84	2.84	2.84	2.85	3.19	3.19	3.20	3.20	3.20	3.38	3.38	3.39	3.39	3.39
	68°F	TC	39598	39651	39694	39695	39749	44492	44550	44600	44608	44658	47173	47224	47276	47283	47342
		S/T	0.51	0.60	0.69	0.69	0.78	0.58	0.68	0.77	0.77	0.88	0.61	0.72	0.82	0.82	0.93
		PI	2.90	2.90	2.91	2.91	2.91	3.26	3.26	3.27	3.27	3.27	3.45	3.46	3.46	3.46	3.47
	77°F	TC	40408	40463	40506	40508	40563	45403	45462	45513	45521	45572	48139	48191	48243	48251	48311
		S/T	0.52	0.61	0.69	0.69	0.79	0.59	0.69	0.78	0.78	0.89	0.62	0.73	0.83	0.83	0.94
		PI	2.96	2.97	2.97	2.97	2.97	3.33	3.33	3.34	3.34	3.34	3.53	3.53	3.54	3.54	3.54
	82°F	TC	40684	40739	40782	40784	40839	45713	45772	45823	45832	45883	48467	48520	48573	48580	48641
		S/T	0.53	0.62	0.70	0.70	0.80	0.59	0.70	0.79	0.79	0.90	0.63	0.74	0.84	0.84	0.95
		PI	2.98	2.99	2.99	2.99	3.00	3.35	3.36	3.36	3.36	3.37	3.55	3.56	3.56	3.56	3.57
	86°F	TC	37915	37966	38007	38008	38060	42602	42657	42704	42712	42760	45168	45217	45267	45274	45330
		S/T	0.53	0.63	0.71	0.71	0.81	0.60	0.70	0.80	0.80	0.91	0.64	0.75	0.85	0.85	0.97
		PI	3.26	3.26	3.26	3.26	3.27	3.66	3.66	3.67	3.67	3.67	3.88	3.88	3.89	3.89	3.89
	95°F	TC	33719	33765	33801	33803	33848	37887	37937	37979	37986	38028	40170	40214	40258	40264	40314
		S/T	0.53	0.63	0.71	0.71	0.81	0.60	0.70	0.80	0.80	0.91	0.64	0.75	0.85	0.85	0.97
		PI	3.67	3.67	3.68	3.68	3.68	4.12	4.13	4.13	4.13	4.14	4.37	4.38	4.38	4.38	4.39
	104°F	TC	30160	30201	30233	30234	30275	33888	33932	33970	33976	34014	35930	35969	36008	36014	36059
		S/T	0.55	0.64	0.73	0.73	0.83	0.62	0.72	0.82	0.82	0.93	0.65	0.76	0.87	0.87	0.99
		PI	3.52	3.52	3.52	3.52	3.53	3.95	3.96	3.96	3.96	3.97	4.19	4.19	4.20	4.20	4.20
109°F	TC	28024	28062	28092	28093	28131	31488	31529	31564	31570	31606	33386	33422	33458	33463	33505	
	S/T	0.57	0.67	0.76	0.76	0.86	0.64	0.75	0.85	0.85	0.97	0.68	0.79	0.90	0.90	1.00	
	PI	3.42	3.43	3.43	3.43	3.44	3.85	3.85	3.86	3.86	3.86	4.08	4.08	4.09	4.09	4.09	
115°F	TC	23887	23919	23945	23946	23978	26840	26874	26904	26909	26939	28457	28488	28519	28523	28559	
	S/T	0.57	0.67	0.77	0.77	0.87	0.65	0.76	0.86	0.86	0.98	0.68	0.80	0.91	0.91	1.00	
	PI	3.24	3.25	3.25	3.25	3.25	3.64	3.65	3.65	3.65	3.66	3.86	3.87	3.87	3.87	3.88	
122°F	TC	18370	18395	18415	18416	18441	20641	20668	20691	20695	20718	21885	21909	21933	21936	21963	
	S/T	0.59	0.69	0.78	0.78	0.89	0.66	0.77	0.88	0.88	1.00	0.70	0.82	0.93	0.93	1.00	
	PI	3.00	3.00	3.00	3.00	3.01	3.37	3.37	3.38	3.38	3.38	3.57	3.57	3.58	3.58	3.58	

TC:Total Cooling Capacity (BTU/hr)

S/T:Sensible Cooling Capacity Ratio

PI:Power Input(kW)

36MUC0-HE-SYS-A Expanded Heating @ 865 CFM

CFM	HEATING PERFORMANCE AT INDOOR DRY BULB TEMPERATURE										
	OD DB (°F)	TC: Total Heating Capacity(BTU/hr)					PI: Power Input(kW)				
		Indoor Conditions (DB °F)					Indoor Conditions (DB °F)				
		60.8°F	68°F	70°F	71.6°F	75.2°F	60.8°F	68°F	70°F	71.6°F	75.2°F
865	-13°F	13198	12934	12869	12423	12311	2.88	2.91	2.91	2.92	2.93
	-4°F	16697	16363	16282	15717	15575	2.99	3.02	3.02	3.03	3.04
	0°F	18173	17810	17721	17106	16952	3.14	3.16	3.17	3.18	3.19
	5°F	20018	19617	19519	18842	18672	3.32	3.35	3.35	3.36	3.37
	14°F	19123	18740	18647	17999	17837	3.10	3.12	3.13	3.13	3.15
	17°F	18824	18448	18356	17718	17559	3.02	3.04	3.05	3.06	3.07
	22°F	19277	18891	18797	18145	17981	2.97	2.99	3.00	3.01	3.02
	27°F	19730	19335	19238	18571	18404	2.92	2.94	2.95	2.96	2.97
	32°F	20183	19779	19680	18997	18826	2.87	2.89	2.90	2.91	2.92
	35°F	20454	20045	19945	19253	19079	2.84	2.86	2.87	2.87	2.89
	37°F	22226	21781	21672	20920	20732	2.86	2.88	2.89	2.89	2.90
	42°F	26654	26121	25991	25088	24863	2.90	2.92	2.93	2.93	2.94
	44.6°F	28426	27857	27718	26756	26515	2.91	2.94	2.94	2.95	2.96
	47°F	31083	30461	30309	29257	28994	2.94	2.96	2.97	2.97	2.98
	52°F	28797	28221	28080	27106	26862	2.85	2.87	2.88	2.88	2.90
	57°F	26512	25982	25852	24954	24730	2.76	2.79	2.79	2.80	2.81
	59°F	25598	25086	24960	24094	23877	2.73	2.75	2.76	2.76	2.77
62°F	24226	23742	23623	22803	22598	2.68	2.70	2.70	2.71	2.72	
64.4°F	23312	22846	22732	21943	21745	2.64	2.66	2.67	2.67	2.69	

36MUC0-HE-SYS-A Expanded Heating @ 971 CFM

CFM	HEATING PERFORMANCE AT INDOOR DRY BULB TEMPERATURE										
	OD DB (°F)	TC: Total Heating Capacity(BTU/hr)					PI: Power Input(kW)				
		Indoor Conditions (DB °F)					Indoor Conditions (DB °F)				
		60.8°F	68°F	70°F	71.6°F	75.2°F	60.8°F	68°F	70°F	71.6°F	75.2°F
971	-13°F	14067	13786	13717	13450	13328	2.91	2.93	2.94	2.95	2.96
	-4°F	17797	17441	17354	17016	16863	3.02	3.05	3.05	3.06	3.07
	0°F	19370	18982	18888	18520	18353	3.17	3.20	3.20	3.21	3.22
	5°F	21336	20909	20805	20400	20216	3.35	3.38	3.39	3.39	3.41
	14°F	20382	19974	19874	19487	19312	3.13	3.15	3.16	3.16	3.18
	17°F	20064	19663	19564	19183	19011	3.05	3.08	3.08	3.09	3.10
	22°F	20546	20136	20035	19645	19468	3.00	3.02	3.03	3.04	3.05
	27°F	21029	20608	20505	20106	19925	2.95	2.97	2.98	2.99	3.00
	32°F	21512	21081	20976	20567	20382	2.90	2.92	2.93	2.93	2.95
	35°F	21801	21365	21258	20844	20657	2.87	2.89	2.90	2.90	2.92
	37°F	23689	23215	23099	22649	22446	2.89	2.91	2.91	2.92	2.93
	42°F	28409	27841	27702	27163	26918	2.93	2.95	2.96	2.96	2.97
	44.6°F	30298	29692	29543	28968	28707	2.94	2.97	2.97	2.98	2.99
	47°F	33130	32467	32305	31676	31391	2.97	2.99	3.00	3.00	3.01
	52°F	30694	30080	29929	29347	29082	2.88	2.90	2.91	2.91	2.93
	57°F	28258	27693	27554	27018	26774	2.79	2.81	2.82	2.83	2.84
	59°F	27283	26738	26604	26086	25851	2.76	2.78	2.78	2.79	2.80
62°F	25822	25305	25179	24688	24466	2.70	2.73	2.73	2.74	2.75	
64.4°F	24847	24350	24229	23757	23543	2.67	2.69	2.70	2.70	2.71	

36MUC0-HE-SYS-A Expanded Heating @ 1082 CFM

CFM	HEATING PERFORMANCE AT INDOOR DRY BULB TEMPERATURE										
	OD DB (°F)	TC: Total Heating Capacity(BTU/hr)					PI: Power Input(kW)				
		Indoor Conditions (DB °F)					Indoor Conditions (DB °F)				
		60.8°F	68°F	70°F	71.6°F	75.2°F	60.8°F	68°F	70°F	71.6°F	75.2°F
1082	-13°F	14993	14693	14620	14561	14430	2.94	2.96	2.97	2.98	2.99
	-4°F	18969	18589	18497	18423	18257	3.05	3.08	3.08	3.09	3.10
	0°F	20645	20232	20131	20051	19870	3.20	3.23	3.23	3.24	3.25
	5°F	22741	22286	22175	22086	21887	3.39	3.42	3.42	3.43	3.44
	14°F	21724	21290	21183	21098	20909	3.16	3.18	3.19	3.20	3.21
	17°F	21385	20957	20853	20769	20582	3.08	3.11	3.11	3.12	3.13
	22°F	21899	21461	21354	21269	21077	3.03	3.06	3.06	3.07	3.08
	27°F	22414	21965	21856	21768	21572	2.98	3.00	3.01	3.02	3.03
	32°F	22928	22470	22357	22268	22067	2.93	2.95	2.96	2.96	2.98
	35°F	23237	22772	22658	22567	22364	2.90	2.92	2.93	2.93	2.95
	37°F	25249	24744	24620	24522	24301	2.91	2.94	2.94	2.95	2.96
	42°F	30280	29675	29526	29408	29143	2.96	2.98	2.99	2.99	3.00
	44.6°F	32293	31647	31489	31363	31080	2.97	3.00	3.00	3.01	3.02
	47°F	35311	34605	34432	34294	33986	3.00	3.02	3.03	3.03	3.04
	52°F	32715	32061	31900	31773	31487	2.91	2.93	2.94	2.94	2.96
	57°F	30119	29516	29369	29251	28988	2.82	2.84	2.85	2.85	2.87
	59°F	29080	28498	28356	28242	27988	2.78	2.81	2.81	2.82	2.83
62°F	27522	26972	26837	26729	26489	2.73	2.75	2.76	2.76	2.78	
64.4°F	26484	25954	25824	25721	25489	2.70	2.72	2.72	2.73	2.74	

36MUC0-HE-SYS-A Expanded Heating @ 1188 CFM

CFM	HEATING PERFORMANCE AT INDOOR DRY BULB TEMPERATURE										
	OD DB (°F)	TC: Total Heating Capacity(BTU/hr)					PI: Power Input(kW)				
		Indoor Conditions (DB °F)					Indoor Conditions (DB °F)				
		60.8°F	68°F	70°F	71.6°F	75.2°F	60.8°F	68°F	70°F	71.6°F	75.2°F
1188	-13°F	15981	15661	15583	15520	15381	2.97	2.99	3.00	3.01	3.02
	-4°F	20218	19814	19715	19636	19459	3.08	3.11	3.11	3.12	3.13
	0°F	22005	21565	21457	21371	21179	3.23	3.26	3.27	3.27	3.29
	5°F	24238	23754	23635	23540	23329	3.42	3.45	3.46	3.46	3.48
	14°F	23155	22692	22578	22488	22285	3.19	3.22	3.22	3.23	3.24
	17°F	22793	22337	22226	22137	21938	3.11	3.14	3.14	3.15	3.16
	22°F	23342	22875	22760	22669	22465	3.06	3.09	3.09	3.10	3.11
	27°F	23890	23412	23295	23202	22993	3.01	3.03	3.04	3.05	3.06
	32°F	24438	23949	23829	23734	23520	2.96	2.98	2.99	2.99	3.01
	35°F	24767	24271	24150	24054	23837	2.93	2.95	2.96	2.96	2.97
	37°F	26912	26374	26242	26137	25901	2.94	2.97	2.97	2.98	2.99
	42°F	32274	31629	31471	31345	31063	2.99	3.01	3.02	3.02	3.03
	44.6°F	34419	33731	33562	33428	33127	3.00	3.03	3.03	3.04	3.05
	47°F	37637	36884	36699	36553	36224	3.03	3.05	3.06	3.06	3.08
	52°F	34869	34172	34001	33865	33560	2.94	2.96	2.97	2.97	2.98
	57°F	32102	31460	31302	31177	30897	2.85	2.87	2.88	2.88	2.89
	59°F	30995	30375	30223	30102	29831	2.81	2.84	2.84	2.85	2.86
62°F	29334	28748	28604	28490	28233	2.76	2.78	2.79	2.79	2.80	
64.4°F	28227	27663	27525	27415	27168	2.72	2.75	2.75	2.76	2.77	

Control Options

Part Number	Description
MMT4522-001	24V 2H/1C Programmable Thermostat with Occupancy Sensor Input and Standard Display.
MMT8532-002	24V 2H/1C Programmable Thermostat with Occupancy Sensor Input and Deluxe Display.
MMT8532OCC-1	24V 2H/1C Programmable Thermostat with Built-In Occupancy Sensor and Deluxe Display.
MMW-1	24V 2H/1C Non-Programmable Wireless Thermostat.
SWC12BST	Standard wired wall controller with operation mode control, timer and follow me functions.
DWC120X2	Deluxe wired wall controller with programmable weekly timer, auto-restart, child lock, and follow me functions. The DWC120X2 also functions as a receiver for the MWRC remote controller.
MWRC	Wireless infrared remote controller with timer, sleep function, follow me and turbo function.

The MUC System includes a factory installed 24V control board, in the outdoor heat pump, and can be used with most standard 24V thermostats. Either a 24V heat pump thermostat, wired wall controller or wireless remote controller can be used with the MUC System.

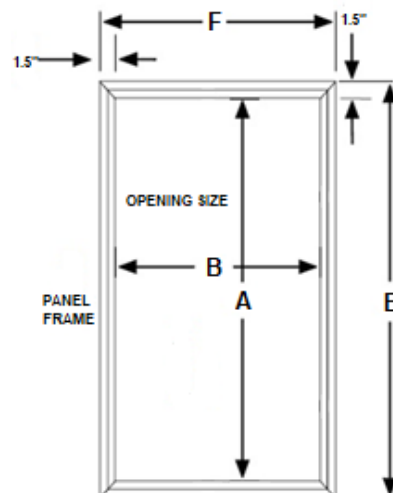


Panels and Bracket

Panel Model Number	Air Handler Model	Style	Inside Frame		Outside Frame	
			A	B	E	F
963-LA	18MUC0 24MUC0	Louvered	37	21	40	24
963-S	18MUC0 24MUC0	Solid	37	21	40	24
964-LA	30MUC0 36MUC0	Louvered	40	22.5	43	25.5
964-S	30MUC0 36MUC0	Solid	40	22.5	43	25.5
MUC-CAP1	18MUC0 24MUC0	Solid	Front Return Air Cover			
MUC-CAP2	30MUC0 36MUC0	Solid	Front Return Air Cover			
MUC-BRACKET	All MUC Units	Hanging Bracket for Wall Mount Applications				



963-LA (louvered)



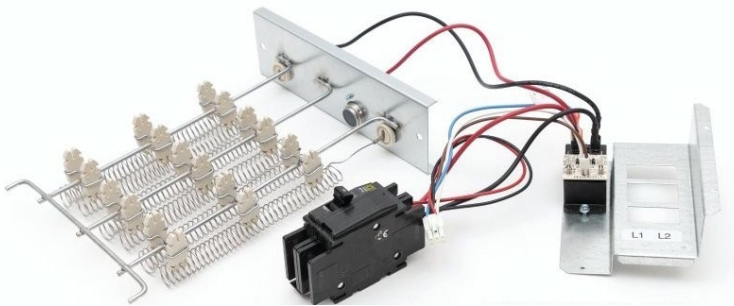
Field Install Auxiliary Electric Heaters

Part Number	Air Handler Model	Heater Size kW	BTUH		Heater Amps		Min Cir Ampacity		MOCP	
			230V	208V	230V	208V	230V	208V	230V	208V
EAH-03C(UL)	18MUC	3	10,240	6,830	12.0	10.8	16.0	14.0	20.0	15.0
EAH-05C(UL)		5	17,060	12,795	20.0	18.0	27.0	23.0	30.0	25.0
EAH-08C(UL)		8	25,600	19,200	32.0	28.8	42.0	37.0	45.0	40.0
EAH-10C(UL)		10	34,100	25,575	40.0	36.0	53.0	46.0	60.0	50.0
EAH-03C(UL)	24MUC	3	10,240	6,830	12.0	10.8	16.0	14.0	20.0	15.0
EAH-05C(UL)		5	17,060	12,795	20.0	18.0	27.0	23.0	30.0	25.0
EAH-08C(UL)		8	25,600	19,200	32.0	28.8	42.0	37.0	45.0	40.0
EAH-10C(UL)		10	34,100	25,575	40.0	36.0	53.0	46.0	60.0	50.0
EAH-03C(UL)	30MUC	3	10,240	6,830	12.0	10.8	16.0	14.0	20.0	15.0
EAH-05C(UL)		5	17,060	12,795	20.0	18.0	27.0	23.0	30.0	25.0
EAH-08C(UL)		8	25,600	19,200	32.0	28.8	42.0	37.0	45.0	40.0
EAH-10C(UL)		10	34,100	25,575	40.0	36.0	53.0	46.0	60.0	50.0
EAH-03C(UL)	36MUC	3	10,240	6,830	12.0	10.8	16.0	14.0	20.0	15.0
EAH-05C(UL)		5	17,060	12,795	20.0	18.0	27.0	23.0	30.0	25.0
EAH-08C(UL)		8	25,600	19,200	32.0	28.8	42.0	37.0	45.0	40.0
EAH-10C(UL)		10	34,100	25,575	40.0	36.0	53.0	46.0	60.0	50.0

Part Number	Qty Circuit Breakers	Qty Relays
EAH-03C(UL)	1	1
EAH-05C(UL)	1	1
EAH-08C(UL)	1	2
EAH-10C(UL)	1	2

Auxiliary Electric Heater Kits are designed to be field installed in MUC series air handlers.

Electric Heater Kits include Manual, 1 ea. Sealing Foam, 7 ea. Screws, 1 ea. Rubber Cap, Wiring Diagram and Air Switch Label.



Notes:

1. Ampacities for MCA and Fuse/breaker include the blower motor
3. The heat pump system needs specific airflow. Each ton of cooling requires 350 to 450 cubic feet (CFM) of air per minute, or nominally 400 CFM.
4. Indoor MUC air handler may be powered by the outdoor heat pump.
5. A separate circuit is required for the electric strip heat.
6. A standalone, non communicating air handler would have an MOCP of 15 amps (all sizes).



2480 Grand Avenue

Vista, CA 92081

Phone (760) 670-3005

Fax (760) 670-3307

www.multimfg-usa.com