



MUC-HH

Hyper Heat

Wall Mount / Wall Recessed Heat Pump System



Hyper Heat Inverter System

1.50 Ton - 3.00 Ton



The MUC-HH is an upflow air handler that can be installed on platform in a closet, hung on a closet wall or recessed in a wall between studs. This air handler is designed to match with the HHS side discharge inverter Hyper Heat outdoor heat pump.

Typical installations for the MUC-HH include:

- Apartments
- Condominiums
- Independent Care Facilities
- Pre Manufactured Homes
- Single Family Home Additions
- Modular Buildings
- Student Housing
- Offices
- Stores



Features

Highly Efficient / High Performance

- Highly Efficient Inverter Compressor
- Air Handler Constant Torque EC Blower Motor, with Available ESP up to 0.80" WC
- Low Amp Draw DC motor in Outdoor HP

Quiet Operation, Inside and Outside

- Low Sone EC motor in MUC Air Handler
- Quiet Inverter Compressor in Outdoor Heat Pump, with low Sound Levels

Heating at Low Ambient Conditions

- Close to Full Heating Capacity down to 5° F
- Standard Base Pan Heaters
- Field Install Auxiliary Electric Strip Heat Kits

Fresh Air

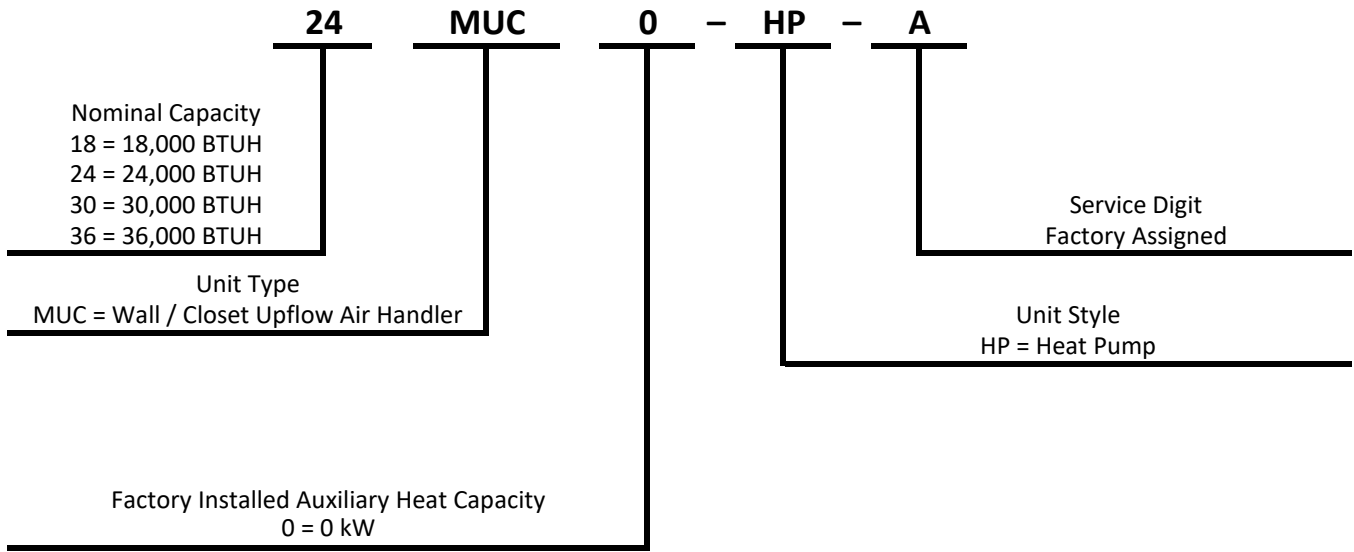
- Optional Field Install OSA Fan-Assisted Fresh Air Package is available

Design

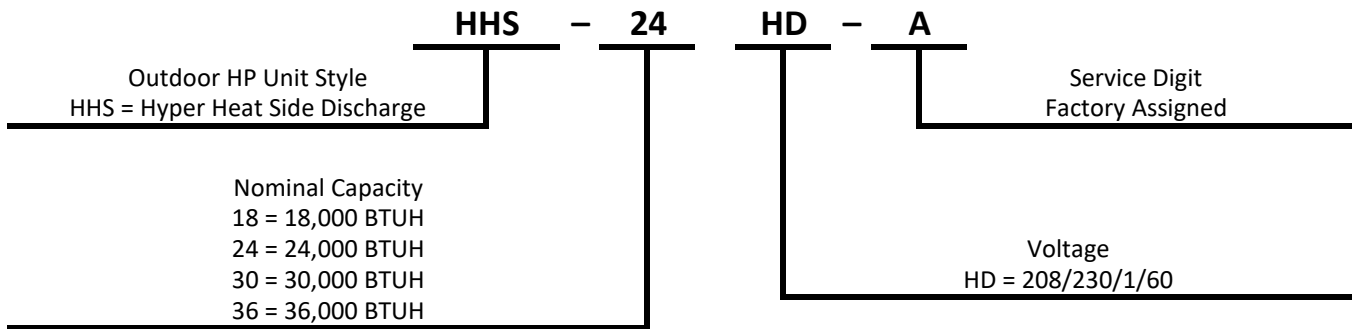
- Standard Front Return Air or Field Convertible to Bottom Return
- Automatic Restart Function
- 24V Control Board with High, Medium and Low Motor Speed Taps
- Suction Line Service Port
- Pre-Coated Fins on Evaporator and Condenser Coils
- Crankcase Heater
- Compressor Time Delay
- Compressor Overload and Over Current Protection

Nomenclature

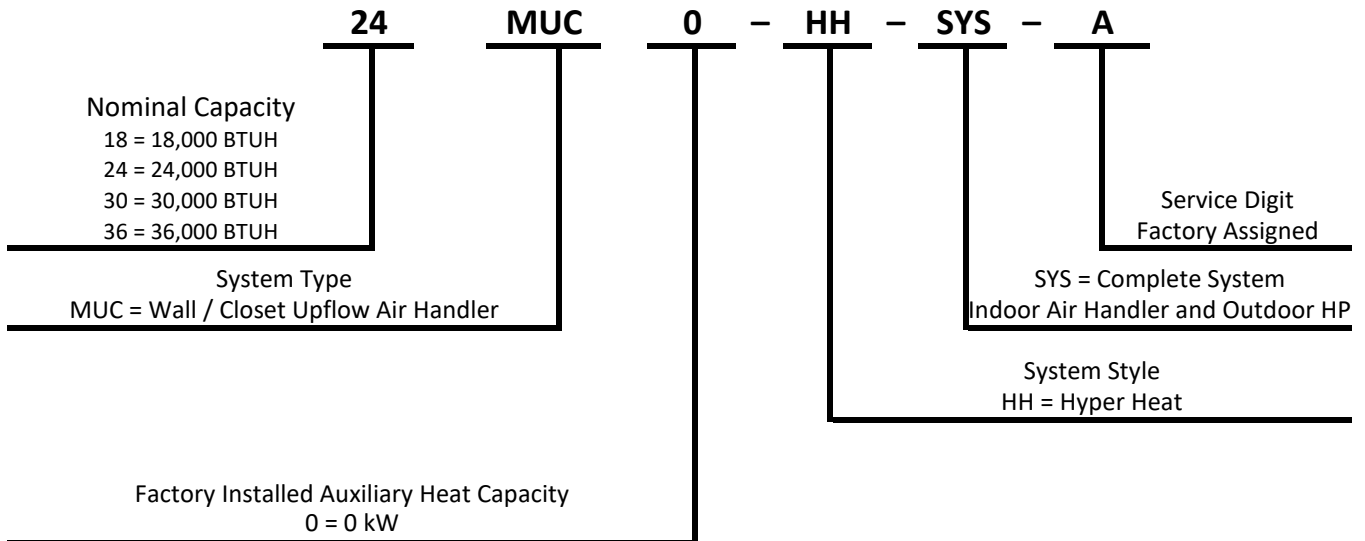
Indoor Unit



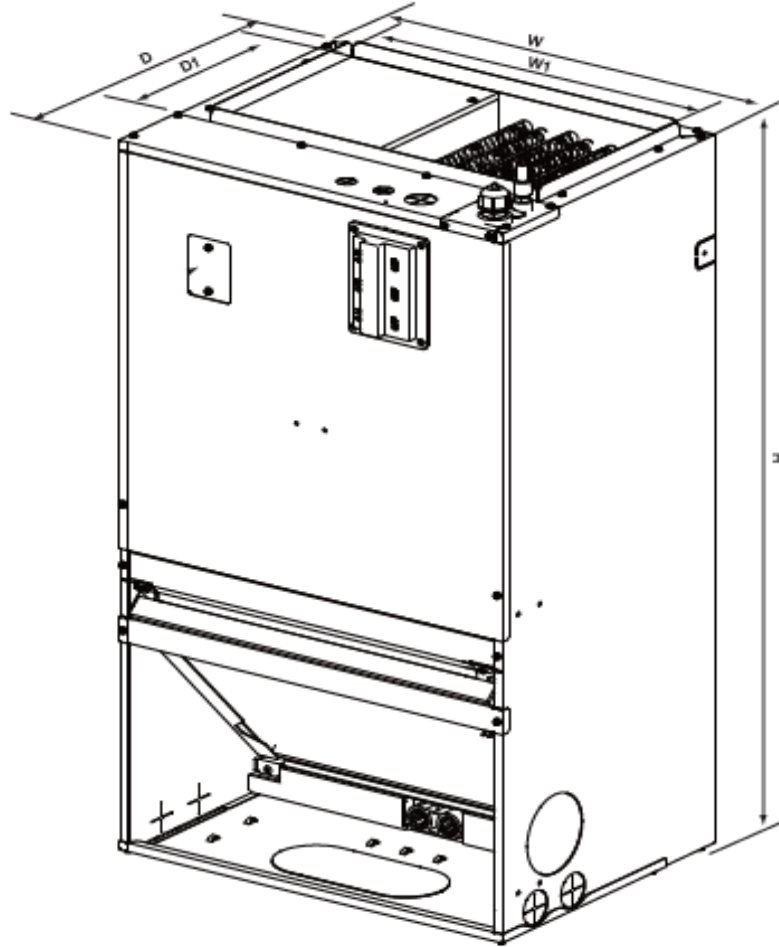
Outdoor Unit



System



Dimensional Data



Unit	Height (H)	Width (W)	Depth (D)	Supply Width (W1)	Supply Depth (D1)	Filter Size	Weight (lbs)
18MUC*	36.5	20.3	15.7	17.5	10.5	14 x 18 x 1	89
24MUC*	36.5	20.3	15.7	17.5	10.5	14 x 18 x 1	89
30MUC*	40.8	22.0	19.0	18.8	9.3	20 x 20 x 1	109
36MUC*	40.8	22.0	19.0	18.8	9.3	20 x 20 x 1	109

Dimensions shown are in Inches

Electrical Data

Model Number	Electric Heat			MIN. Circuit Ampacity		MOCP		Fan speed				
	kW	BTUH @ 240V	BTUH @ 208V	240VAC	208VAC	240VAC	208VAC	1	2	3	4	5
18MUC*	0	0	0	/	/	/	/	√	√	√	√	√
	3	10240	6830	16.0	14.0	20	15	√	√	√	√	√
	5	17060	12795	27.0	23.0	30	25	√	√	√	√	√
	8	25600	19200	42.0	37.0	45	40	×	×	√	√	√
	10	34100	25575	53.0	46.0	60	50	×	×	√	√	√
24MUC*	0	0	0	/	/	/	/	√	√	√	√	√
	3	10240	6830	16.0	14.0	20	15	√	√	√	√	√
	5	17060	12795	27.0	23.0	30	25	√	√	√	√	√
	8	25600	19200	42.0	37.0	45	40	×	×	√	√	√
	10	34100	25575	53.0	46.0	60	50	×	×	√	√	√
30MUC*	0	0	0	/	/	/	/	√	√	√	√	√
	3	10240	6830	16.0	14.0	20	15	√	√	√	√	√
	5	17060	12795	27.0	23.0	30	25	√	√	√	√	√
	8	25600	19200	42.0	37.0	45	40	×	√	√	√	√
	10	34100	25575	53.0	46.0	60	50	×	×	√	√	√
36MUC*	0	0	0	/	/	/	/	√	√	√	√	√
	3	10240	6830	16.0	14.0	20	15	√	√	√	√	√
	5	17060	12795	27.0	23.0	30	25	√	√	√	√	√
	8	25600	19200	42.0	37.0	45	40	×	√	√	√	√
	10	34100	25575	53.0	46.0	60	50	×	×	√	√	√

Notes:

1. √ indicates available and × indicates unavailable
2. Ampacities for MCA and Fuse/breaker include the blower motor
3. The heat pump system needs specific airflow. Each ton of cooling requires 350 to 450 cubic feet (CFM) of air per minute, or nominally 400 CFM.
4. Indoor MUC air handler is powered by the outdoor heat pump.
5. A separate circuit is required for the electric strip heat.
6. A standalone, non communicating air handler would have an MOCP of 15 amps (all sizes).

Wall-Mount Air Handler Blower Performance (CFM Dry coil without Filter or Electric Heat)

Model	Speed	External Static Pressure(in.w.c.)				
	Electrical	0	0.2	0.3	0.5	0.8
18MUC*	Turbo	625	625	625	625	625
	Watts	82.6	108.3	121.3	152.1	196.3
	High	584	584	584	584	584
	Watts	70.7	99.6	104.5	132.3	181.3
	Med-High	536	536	536	536	536
	Watts	59.4	78.8	92.5	121.3	166.2
	Low	494	494	494	494	494
24MUC*	Watts	50.6	75.3	104.5	110.4	152.3
	Turbo	833	833	833	833	833
	Watts	161	183	196	243	316
	High	768	768	768	768	768
	Watts	139.8	162	184	212.2	262.3
	Med-Low	702	702	702	702	702
	Watts	110.8	142.8	175.5	208.3	225.3
30MUC*	Low	625	625	625	625	625
	Watts	82.6	108.3	121.3	152.1	196.3
	Turbo	995	995	995	995	995
	Watts	131	183	200.5	245.2	341
	High	912	912	912	912	912
	Watts	99.6	152.4	172.8	206.7	300
	Med-Low	806	806	806	806	806
36MUC*	Watts	76.6	118.8	134.1	175.7	256.2
	Low	706	706	706	706	706
	Watts	54.9	93.8	112.1	153.1	216.2
	Turbo	1202	1202	1202	1202	1202
	Watts	181	259	279.4	337.3	441
	High	1083	1083	1083	1083	1083
	Watts	155.7	218.4	238.3	291.5	385
36MUC*	Med-Low	971	971	971	971	971
	Watts	119.9	171.5	190.3	233.6	326
	Low	865	865	865	865	865
	Watts	88	135	152	196.4	277.5

Dimensional Data

Figure 1

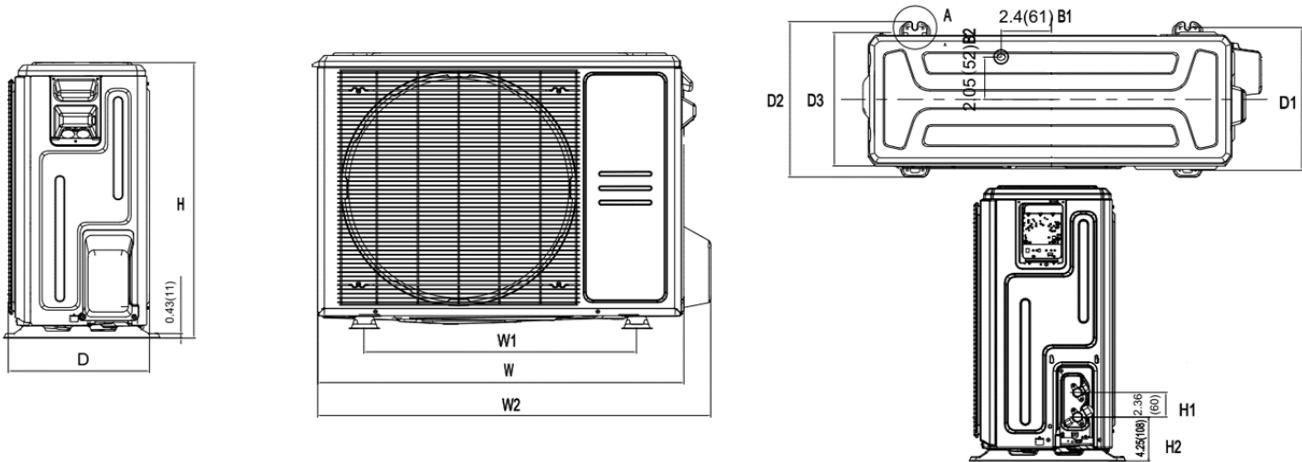
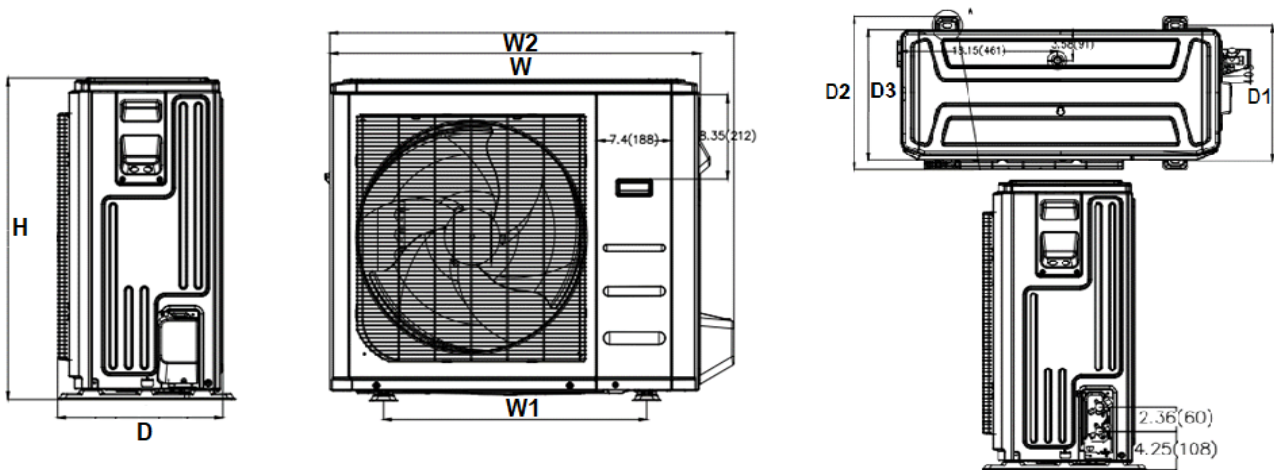


Figure 2

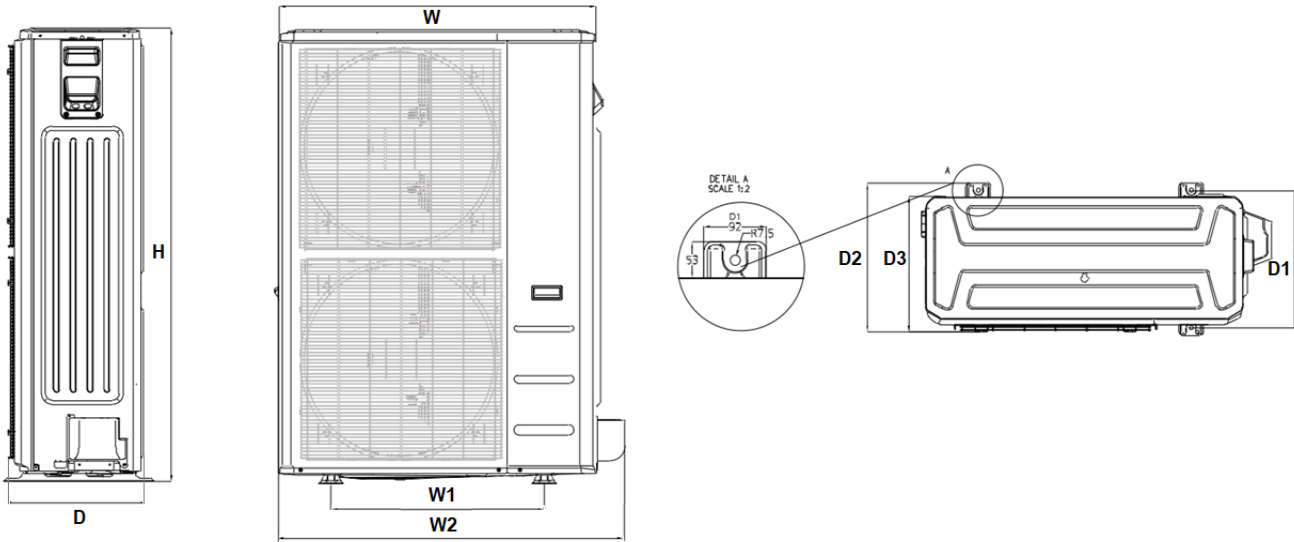


Unit	Figure	Unit Width (W)	Unit Width w/Elec (W2)	Unit Height (H)	Unit Depth (D)	Bracket Width (W1)	Bracket Depth (D2)	Weight (lbs)
HHS-18HD-A	1	35.05	37.60	26.50	13.45	26.10	14.95	103
HHS-24HD-A	2	37.25	40.55	31.90	16.15	26.50	17.90	137
HHS-30HD-A	2	37.25	40.55	31.90	16.15	26.50	15.90	160

Dimensions shown are in Inches

Dimensional Data

Figure 3



Unit	Figure	Unit Width (W)	Unit Width w/Elec (W2)	Unit Height (H)	Unit Depth (D)	Bracket Width (W1)	Bracket Depth (D2)	Weight (lbs)
HHS-36HD-A	3	37.50	41.15	52.50	16.34	25.00	18.00	221

Dimensions shown are in Inches

MUC-HH-SYS

1.50 ton - 3.00 ton Hyper Heat Systems

System Specifications

System Model			18MUC*-HH-SYS	24MUC*-HH-SYS	30MUC*-HH-SYS	36MUC*-HH-SYS
Indoor Model			18MUC*-HP-A	24MUC*-HP-A	30MUC*-HP-A	36MUC*-HP-A
Outdoor Model			HHS-18HD-A	HHS-24HD-A	HHS-30HD-A	HHS-36HD-A
Energy Star (Cold Climate Split HP)			Yes	Yes	Yes	Yes
Rated Cooling Capacity	BTU/H		18,000	24,000	30,000	36,000
Cooling Capacity Range (Minimum - Maximum)	BTU/H		6950~21000	6430~27050	10320~33600	12000~44250
SEER2			19.30	17.50	16.90	17.60
EER2			12.1	11.7	10.0	10.2
Rated Heating Capacity at 47°F	BTU/H		19,000	26,000	31,000	38,000
Heating Capacity at 17°F	BTU/H		17,490	24,370	30,460	35,030
Heating Capacity at 5°F	BTU/H		19,050	26,740	29,410	35,300
Heating Capacity Range (Minimum - Maximum)	BTU/H		2,880~21,000	10,020~31,000	12,000~36,200	9,900~48,800
HSPF2			10.8	10.5	9.0	9.2
COP at 47°F	W/W		3.5	3.5	3.3	3.2
COP at 17°F	W/W		2.8	2.7	2.0	1.9
COP at 5°F	W/W		2.3	2.3	1.8	1.8
Room Temperature	Cooling	°F	60~90	60~90	60~90	60~90
	Heating	°F	32~86	32~86	32~86	32~86
Operation Temperature	Cooling	°F	5~122	5~122	5~122	5~122
	Heating	°F	-22~75	-22~75	-22~75	-22~75

* in the System Model and Indoor Model refers to the electric strip heat



1.50 ton - 3.00 ton Hyper Heat Heat Pump Outdoor Units

Electrical and Piping Data

Model		HHS-18HD-A	HHS-24HD-A	HHS-30HD-A	HHS-36HD-A
Power Supply	V/Hz/Ph	208/230/60/1			
Compressor	Type	Inverter			
Packaging	H x W x D	29.1 x 39.2 x 15.7	34.8 x 42.9 x 19.7	34.8 x 42.9 x 19.7	58.3 x 43.1 x 19.5
Packaged Weight	Lbs	110	150	170	249
Noise Level	dB(A)	58	64	61.5	64
Liquid - Suction	Inch	3/8 - 3/4	3/8 - 3/4	3/8 - 3/4	3/8 - 3/4
Max Lineset Length	Feet	98	164	164	213
Max Lineset Vertical Lift	Feet	66	82	82	98
Refrigerant		R410a	R410a	R410a	R410a
Refrigerant Precharge	Feet	25	25	25	25
Additional Charge Per Foot	Oz	0.69	0.69	0.69	0.69
Design Pressure	Psi	550	550	550	550
Indoor Operating Range	Cooling DB Min / Max	60°F / 90°F	60°F / 90°F	60°F / 90°F	60°F / 90°F
	Heating DB Min / Max	32°F / 86°F	32°F / 86°F	32°F / 86°F	32°F / 86°F
Outdoor Operating Range	Cooling DB Min / Max	5°F / 122°F	5°F / 122°F	5°F / 122°F	5°F / 122°F
	Heating DB Min / Max	-22°F / 75°F	-22°F / 75°F	-22°F / 75°F	-22°F / 75°F

Systems with Indoor Fan Coil Powered by Outdoor Heat Pump

Unit	V / PH	Oper Volts		Compressor	Fan	MCA	Max Fuse
		Max	Min	Input (W)	Input (W)		
HHS-18HD-A	208/230/1	253	187	1945	88	16.0	20.0
HHS-24HD-A		253	187	1945	150	20.0	35.0
HHS-30HD-A		253	187	2600	150	23.0	35.0
HHS-36HD-A		253	187	3565	252	41.0	50.0

MCA - Minimum Circuit Ampacity

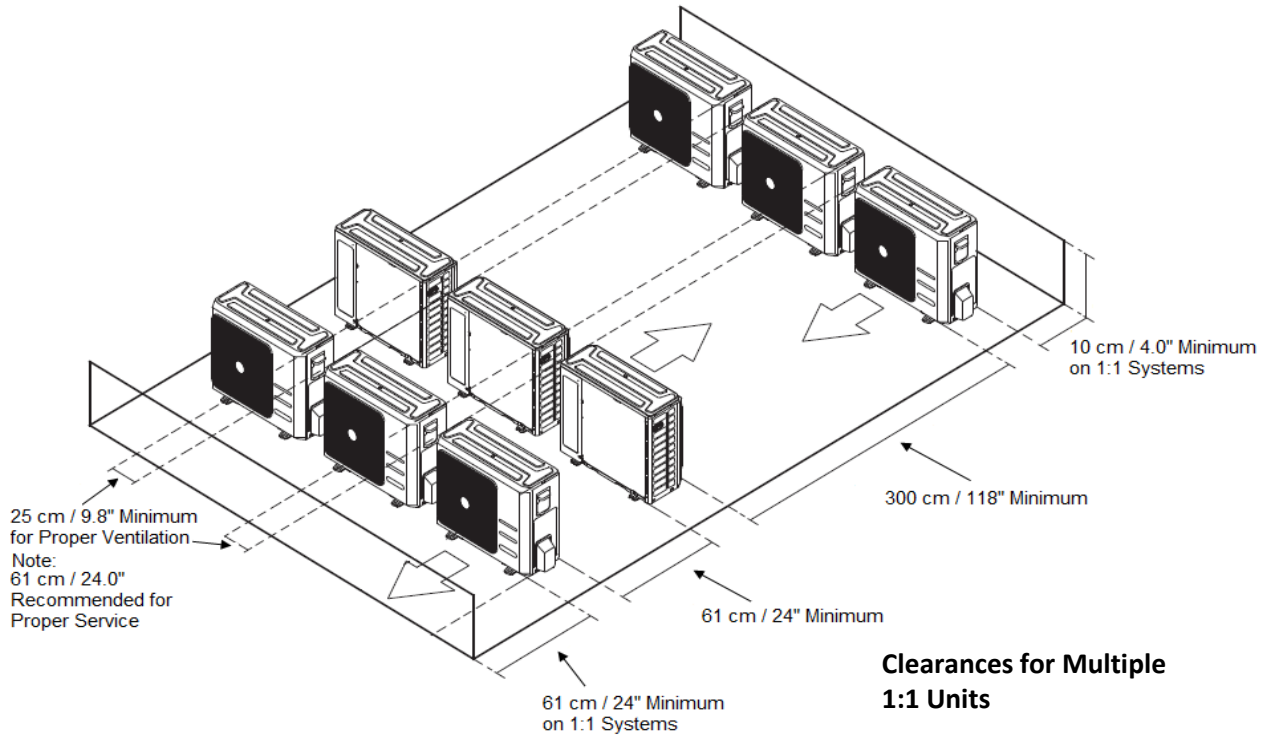
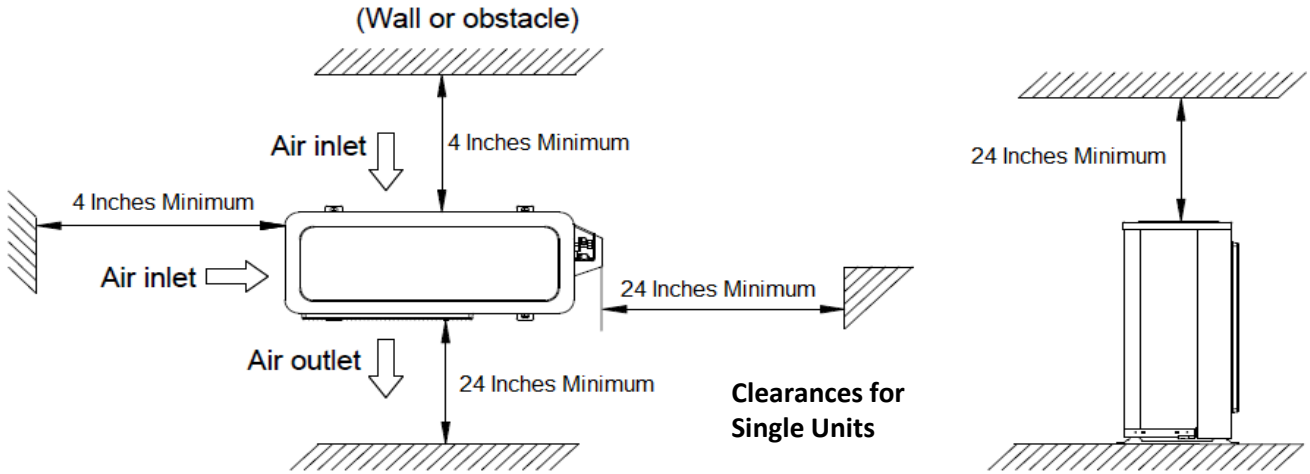
Systems with Outdoor Heat Pump and Indoor Fan Coil with Individual Power Supply

Outdoor Heat Pump				Indoor Fan Coil		
Model	V / PH	MCA	Max Fuse	Model	MCA	Max Fuse
HHS-18HD-A	208/230/1	14.1	20.0	18MUC0-HP-A	4.5	15.0
HHS-24HD-A		17.3	25.0	24MUC0-HP-A	4.5	15.0
HHS-30HD-A		20.5	30.0	30MUC0-HP-A	6.5	15.0
HHS-36HD-A		33.1	40.0	36MUC0-HP-A	6.5	15.0

MCA - Minimum Circuit Ampacity

Clearances

HHS Outdoor Units



MUC-HH-SYS

System Performance

Hyper Heat Systems									
System	Indoor Air Handler	Outdoor HP	SEER2	EER2	COP	HSPF2	BTU Cooling	BTU Heating	AHRI Certification Number
18MUC*-HH-SYS-A	18MUC*-HP-A	HHS-18HD-A	19.30	12.1	3.5	10.8	18,000	19,000	213156952
24MUC*-HH-SYS-A	24MUC*-HP-A	HHS-24HD-A	17.50	11.7	3.5	10.5	24,000	26,000	212924828
30MUC*-HH-SYS-A	30MUC*-HP-A	HHS-30HD-A	16.90	10.0	3.3	9.0	30,000	31,000	213156953
36MUC*-HH-SYS-A	36MUC*-HP-A	HHS-36HD-A	17.60	10.2	3.3	9.2	36,000	38,000	212924809

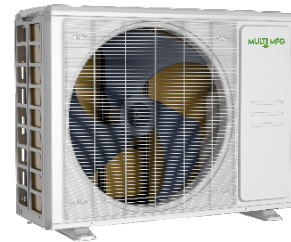
Air Handler Noise Level (dBA)

Air Handler	dBA High
18MUC*-HP-A	50
24MUC*-HP-A	52
30MUC*-HP-A	54
36MUC*-HP-A	55



Outdoor Heat Pump Noise Level

Heat Pump	dBA
HHS-18HD-A	58
HHS-24HD-A	64
HHS-30HD-A	61.5
HHS-36HD-A	64



18MUC-HH-SYS Expanded Cooling @ 488 CFM

CFM	ODDB	ID WB(°F)	60.8°F					67.0°F					71.6°F				
		ID DB(°F)	73.4°F	77.0°F	80.0°F	80.6°F	84.2°F	73.4°F	77.0°F	80.0°F	80.6°F	84.2°F	73.4°F	77.0°F	80.0°F	80.6°F	84.2°F
488	50°F	TC	18661	18687	18707	18707	18733	20968	20995	21019	21023	21046	22232	22256	22280	22283	22311
		S/T	0.44	0.52	0.59	0.59	0.67	0.50	0.58	0.66	0.66	0.75	0.52	0.62	0.70	0.70	0.80
		PI	1.04	1.04	1.04	1.04	1.05	1.17	1.17	1.17	1.17	1.17	1.24	1.24	1.24	1.24	1.25
	59°F	TC	19086	19112	19132	19133	19159	21445	21473	21497	21501	21525	22737	22762	22787	22790	22819
		S/T	0.44	0.52	0.59	0.59	0.67	0.50	0.58	0.66	0.66	0.76	0.53	0.62	0.70	0.70	0.80
		PI	1.06	1.06	1.06	1.06	1.06	1.19	1.19	1.19	1.19	1.19	1.26	1.26	1.26	1.26	1.26
	68°F	TC	19511	19537	19558	19559	19585	21922	21951	21975	21979	22004	23243	23269	23294	23297	23327
		S/T	0.45	0.53	0.61	0.61	0.69	0.51	0.60	0.68	0.68	0.78	0.54	0.64	0.72	0.72	0.82
		PI	1.07	1.07	1.07	1.07	1.08	1.20	1.21	1.21	1.21	1.21	1.28	1.28	1.28	1.28	1.28
	77°F	TC	19935	19962	19984	19985	20011	22400	22429	22454	22458	22483	23749	23775	23801	23805	23834
		S/T	0.46	0.54	0.61	0.61	0.70	0.52	0.61	0.69	0.69	0.79	0.55	0.64	0.73	0.73	0.83
		PI	1.09	1.09	1.09	1.09	1.09	1.22	1.22	1.22	1.22	1.22	1.29	1.30	1.30	1.30	1.30
	80°F	TC	20080	20107	20128	20129	20156	22562	22591	22616	22620	22646	23921	23947	23973	23977	24007
		S/T	0.47	0.55	0.62	0.62	0.71	0.52	0.62	0.70	0.70	0.80	0.56	0.65	0.74	0.74	0.84
		PI	1.09	1.09	1.09	1.09	1.10	1.23	1.23	1.23	1.23	1.23	1.30	1.30	1.30	1.30	1.30
	86°F	TC	19051	19077	19098	19098	19124	21406	21434	21458	21462	21486	22696	22721	22746	22749	22777
		S/T	0.47	0.55	0.63	0.63	0.72	0.53	0.62	0.71	0.71	0.81	0.56	0.66	0.75	0.75	0.86
		PI	1.30	1.30	1.31	1.31	1.31	1.46	1.47	1.47	1.47	1.47	1.55	1.55	1.56	1.56	1.56
	95°F	TC	17493	17517	17536	17537	17560	19656	19681	19703	19707	19729	20840	20863	20885	20889	20915
		S/T	0.47	0.55	0.63	0.63	0.72	0.53	0.62	0.71	0.71	0.81	0.56	0.66	0.75	0.75	0.86
		PI	1.62	1.63	1.63	1.63	1.63	1.83	1.83	1.83	1.83	1.83	1.94	1.94	1.94	1.94	1.94
	104°F	TC	13887	13906	13921	13921	13940	15603	15624	15641	15644	15661	16544	16562	16580	16582	16603
		S/T	0.48	0.57	0.65	0.65	0.74	0.54	0.64	0.73	0.73	0.83	0.58	0.68	0.77	0.77	0.88
		PI	1.56	1.56	1.56	1.56	1.56	1.75	1.75	1.75	1.75	1.76	1.86	1.86	1.86	1.86	1.86
	110°F	TC	11723	11739	11751	11752	11768	13172	13189	13204	13206	13221	13966	13981	13996	13998	14016
		S/T	0.50	0.59	0.67	0.67	0.76	0.56	0.66	0.75	0.75	0.86	0.60	0.70	0.80	0.80	0.91
		PI	1.52	1.52	1.52	1.52	1.52	1.70	1.71	1.71	1.71	1.71	1.81	1.81	1.81	1.81	1.81
115°F	TC	10435	10449	10460	10461	10475	11725	11740	11753	11755	11768	12431	12445	12458	12460	12476	
	S/T	0.51	0.60	0.68	0.68	0.77	0.57	0.67	0.76	0.76	0.87	0.60	0.71	0.81	0.81	0.92	
	PI	1.43	1.43	1.44	1.44	1.44	1.61	1.61	1.61	1.61	1.61	1.71	1.71	1.71	1.71	1.71	
122°F	TC	8717	8729	8739	8739	8751	9795	9808	9819	9821	9831	10385	10396	10408	10409	10422	
	S/T	0.52	0.61	0.69	0.69	0.79	0.58	0.69	0.78	0.78	0.89	0.62	0.73	0.83	0.83	0.94	
	PI	1.32	1.32	1.32	1.32	1.32	1.48	1.48	1.49	1.49	1.49	1.57	1.57	1.57	1.57	1.58	

TC:Total Cooling Capacity (BTU/hr)

S/T:Sensible Cooling Capacity Ratio

PI:Power Input(kW)

18MUC-HH-SYS Expanded Cooling @ 529 CFM

CFM	ODDB	ID WB(°F)	60.8°F					67.0°F					71.6°F				
		ID DB(°F)	73.4°F	77.0°F	80.0°F	80.6°F	84.2°F	73.4°F	77.0°F	80.0°F	80.6°F	84.2°F	73.4°F	77.0°F	80.0°F	80.6°F	84.2°F
529	50°F	TC	19439	19465	19486	19487	19513	21842	21870	21895	21899	21923	23158	23183	23208	23212	23241
		S/T	0.46	0.54	0.61	0.61	0.70	0.52	0.61	0.69	0.69	0.78	0.55	0.64	0.73	0.73	0.83
		PI	1.09	1.09	1.09	1.09	1.09	1.22	1.22	1.22	1.22	1.22	1.29	1.29	1.30	1.30	1.30
	59°F	TC	19881	19908	19929	19930	19957	22339	22368	22393	22397	22422	23685	23711	23736	23740	23770
		S/T	0.46	0.54	0.62	0.62	0.70	0.52	0.61	0.69	0.69	0.79	0.55	0.64	0.73	0.73	0.84
		PI	1.10	1.10	1.10	1.10	1.10	1.24	1.24	1.24	1.24	1.24	1.31	1.31	1.31	1.31	1.32
	68°F	TC	20324	20351	20373	20374	20401	22836	22865	22891	22895	22921	24212	24238	24264	24268	24298
		S/T	0.47	0.56	0.63	0.63	0.72	0.53	0.62	0.71	0.71	0.81	0.56	0.66	0.75	0.75	0.86
		PI	1.12	1.12	1.12	1.12	1.12	1.25	1.26	1.26	1.26	1.26	1.33	1.33	1.33	1.33	1.33
	77°F	TC	20766	20794	20816	20817	20845	23333	23363	23389	23394	23420	24739	24766	24793	24796	24827
		S/T	0.48	0.56	0.64	0.64	0.73	0.54	0.63	0.72	0.72	0.82	0.57	0.67	0.76	0.76	0.87
		PI	1.13	1.13	1.13	1.13	1.14	1.27	1.27	1.27	1.27	1.28	1.35	1.35	1.35	1.35	1.35
	80°F	TC	20916	20944	20967	20968	20996	23502	23532	23559	23563	23589	24918	24945	24972	24976	25007
		S/T	0.49	0.57	0.65	0.65	0.74	0.55	0.64	0.73	0.73	0.83	0.58	0.68	0.77	0.77	0.88
		PI	1.14	1.14	1.14	1.14	1.14	1.28	1.28	1.28	1.28	1.28	1.35	1.36	1.36	1.36	1.36
	86°F	TC	19845	19872	19893	19894	19921	22298	22327	22352	22356	22381	23642	23667	23693	23697	23726
		S/T	0.49	0.58	0.66	0.66	0.75	0.55	0.65	0.74	0.74	0.84	0.59	0.69	0.78	0.78	0.89
		PI	1.36	1.36	1.36	1.36	1.36	1.53	1.53	1.53	1.53	1.53	1.62	1.62	1.62	1.62	1.62
	95°F	TC	18222	18247	18266	18267	18292	20475	20501	20524	20528	20551	21708	21732	21756	21759	21786
		S/T	0.49	0.58	0.66	0.66	0.75	0.55	0.65	0.74	0.74	0.84	0.59	0.69	0.78	0.78	0.89
		PI	1.69	1.69	1.70	1.70	1.70	1.90	1.90	1.91	1.91	1.91	2.02	2.02	2.02	2.02	2.02
	104°F	TC	14466	14485	14501	14501	14521	16254	16275	16293	16296	16314	17233	17252	17270	17273	17295
		S/T	0.50	0.59	0.67	0.67	0.77	0.57	0.67	0.76	0.76	0.86	0.60	0.70	0.80	0.80	0.91
		PI	1.62	1.62	1.63	1.63	1.63	1.82	1.82	1.83	1.83	1.83	1.93	1.93	1.94	1.94	1.94
	110°F	TC	12211	12228	12241	12242	12258	13721	13739	13754	13757	13772	14548	14563	14579	14582	14600
		S/T	0.52	0.61	0.70	0.70	0.79	0.59	0.69	0.78	0.78	0.89	0.62	0.73	0.83	0.83	0.95
		PI	1.58	1.58	1.58	1.58	1.59	1.78	1.78	1.78	1.78	1.78	1.88	1.88	1.89	1.89	1.89
	115°F	TC	10870	10884	10896	10897	10911	12213	12229	12243	12245	12259	12949	12963	12977	12979	12996
		S/T	0.53	0.62	0.71	0.71	0.80	0.59	0.70	0.79	0.79	0.90	0.63	0.74	0.84	0.84	0.96
		PI	1.49	1.49	1.50	1.50	1.50	1.68	1.68	1.68	1.68	1.68	1.78	1.78	1.78	1.78	1.78
122°F	TC	9081	9093	9103	9103	9115	10203	10216	10228	10230	10241	10818	10830	10841	10843	10857	
	S/T	0.54	0.64	0.72	0.72	0.82	0.61	0.71	0.81	0.81	0.92	0.64	0.76	0.86	0.86	0.98	
	PI	1.37	1.38	1.38	1.38	1.38	1.54	1.55	1.55	1.55	1.55	1.64	1.64	1.64	1.64	1.64	

TC:Total Cooling Capacity (BTU/hr)

S/T:Sensible Cooling Capacity Ratio

PI:Power Input(kW)

18MUC-HH-SYS Expanded Cooling @ 576 CFM

CFM	ODDB	ID WB(°F)	60.8°F					67.0°F					71.6°F				
		ID DB(°F)	73.4°F	77.0°F	80.0°F	80.6°F	84.2°F	73.4°F	77.0°F	80.0°F	80.6°F	84.2°F	73.4°F	77.0°F	80.0°F	80.6°F	84.2°F
576	50°F	TC	20249	20276	20298	20299	20326	22752	22781	22807	22811	22837	24123	24149	24175	24179	24209
		S/T	0.48	0.56	0.64	0.64	0.73	0.54	0.63	0.72	0.72	0.82	0.57	0.67	0.76	0.76	0.87
		PI	1.13	1.13	1.13	1.13	1.13	1.27	1.27	1.27	1.27	1.27	1.35	1.35	1.35	1.35	1.35
	59°F	TC	20710	20738	20760	20761	20789	23270	23300	23326	23330	23356	24672	24698	24725	24729	24760
		S/T	0.48	0.56	0.64	0.64	0.73	0.54	0.63	0.72	0.72	0.82	0.57	0.67	0.76	0.76	0.87
		PI	1.15	1.15	1.15	1.15	1.15	1.29	1.29	1.29	1.29	1.29	1.37	1.37	1.37	1.37	1.37
	68°F	TC	21170	21199	21222	21223	21251	23787	23818	23845	23849	23876	25221	25248	25275	25279	25311
		S/T	0.49	0.58	0.66	0.66	0.75	0.55	0.65	0.74	0.74	0.84	0.59	0.69	0.78	0.78	0.89
		PI	1.16	1.16	1.17	1.17	1.17	1.31	1.31	1.31	1.31	1.31	1.38	1.39	1.39	1.39	1.39
	77°F	TC	21631	21660	21684	21685	21714	24305	24337	24364	24368	24395	25769	25797	25826	25830	25862
		S/T	0.50	0.59	0.67	0.67	0.76	0.56	0.66	0.75	0.75	0.85	0.60	0.70	0.79	0.79	0.90
		PI	1.18	1.18	1.18	1.18	1.18	1.32	1.33	1.33	1.33	1.33	1.40	1.41	1.41	1.41	1.41
	80°F	TC	21788	21817	21841	21842	21871	24481	24513	24540	24545	24572	25956	25984	26013	26017	26049
		S/T	0.51	0.59	0.67	0.68	0.77	0.57	0.67	0.76	0.76	0.86	0.60	0.71	0.80	0.80	0.92
		PI	1.18	1.19	1.19	1.19	1.19	1.33	1.33	1.33	1.33	1.34	1.41	1.41	1.41	1.41	1.42
	86°F	TC	20672	20700	20722	20723	20751	23227	23258	23283	23288	23314	24627	24654	24680	24684	24715
		S/T	0.51	0.60	0.68	0.68	0.78	0.58	0.68	0.77	0.77	0.88	0.61	0.72	0.81	0.81	0.93
		PI	1.41	1.42	1.42	1.42	1.42	1.59	1.59	1.59	1.59	1.59	1.68	1.69	1.69	1.69	1.69
	95°F	TC	18982	19007	19028	19028	19054	21328	21356	21379	21383	21407	22613	22637	22662	22666	22694
		S/T	0.51	0.60	0.68	0.68	0.78	0.58	0.68	0.77	0.77	0.88	0.61	0.72	0.81	0.81	0.93
		PI	1.76	1.76	1.77	1.77	1.77	1.98	1.98	1.99	1.99	1.99	2.10	2.10	2.10	2.10	2.11
	104°F	TC	15068	15088	15105	15105	15126	16931	16953	16972	16975	16994	17951	17970	17990	17993	18015
		S/T	0.53	0.62	0.70	0.70	0.80	0.59	0.69	0.79	0.79	0.90	0.63	0.73	0.83	0.83	0.95
		PI	1.69	1.69	1.69	1.69	1.70	1.90	1.90	1.90	1.90	1.91	2.01	2.02	2.02	2.02	2.02
	110°F	TC	12720	12737	12751	12752	12769	14293	14311	14327	14330	14346	15154	15170	15187	15189	15208
		S/T	0.54	0.64	0.73	0.73	0.83	0.61	0.72	0.82	0.82	0.93	0.65	0.76	0.86	0.87	0.99
		PI	1.65	1.65	1.65	1.65	1.65	1.85	1.85	1.85	1.85	1.86	1.96	1.96	1.96	1.97	1.97
	115°F	TC	11323	11338	11350	11351	11366	12722	12739	12753	12755	12770	13489	13503	13518	13520	13537
		S/T	0.55	0.65	0.73	0.73	0.84	0.62	0.73	0.83	0.83	0.94	0.66	0.77	0.88	0.88	1.00
		PI	1.55	1.56	1.56	1.56	1.56	1.75	1.75	1.75	1.75	1.75	1.85	1.85	1.86	1.86	1.86
122°F	TC	9459	9472	9482	9482	9495	10628	10642	10654	10656	10668	11269	11281	11293	11295	11309	
	S/T	0.56	0.66	0.75	0.75	0.86	0.63	0.74	0.84	0.84	0.96	0.67	0.79	0.90	0.90	1.00	
	PI	1.43	1.43	1.43	1.43	1.44	1.61	1.61	1.61	1.61	1.61	1.70	1.71	1.71	1.71	1.71	

TC:Total Cooling Capacity (BTU/hr)

S/T:Sensible Cooling Capacity Ratio

PI:Power Input(kW)

18MUC-HH-SYS Expanded Cooling @ 618 CFM

CFM	ODDB	ID WB(°F)	60.8°F					67.0°F					71.6°F				
		ID DB(°F)	73.4°F	77.0°F	80.0°F	80.6°F	84.2°F	73.4°F	77.0°F	80.0°F	80.6°F	84.2°F	73.4°F	77.0°F	80.0°F	80.6°F	84.2°F
618	50°F	TC	21093	21121	21144	21145	21173	23700	23731	23757	23762	23788	25128	25155	25183	25186	25218
		S/T	0.50	0.58	0.66	0.66	0.76	0.56	0.66	0.75	0.75	0.85	0.59	0.70	0.79	0.79	0.90
		PI	1.18	1.18	1.18	1.18	1.18	1.32	1.32	1.33	1.33	1.33	1.40	1.40	1.41	1.41	1.41
	59°F	TC	21573	21602	21625	21626	21655	24239	24271	24298	24302	24329	25700	25728	25756	25760	25792
		S/T	0.50	0.59	0.67	0.67	0.76	0.56	0.66	0.75	0.75	0.86	0.60	0.70	0.80	0.80	0.91
		PI	1.19	1.20	1.20	1.20	1.20	1.34	1.34	1.35	1.35	1.35	1.42	1.42	1.43	1.43	1.43
	68°F	TC	22053	22082	22106	22107	22137	24778	24811	24838	24843	24871	26271	26300	26329	26333	26365
		S/T	0.51	0.60	0.69	0.69	0.78	0.58	0.68	0.77	0.77	0.88	0.61	0.72	0.82	0.82	0.93
		PI	1.21	1.21	1.21	1.21	1.22	1.36	1.36	1.36	1.36	1.37	1.44	1.44	1.45	1.45	1.45
	77°F	TC	22533	22563	22587	22588	22619	25318	25351	25379	25384	25412	26843	26872	26902	26906	26939
		S/T	0.52	0.61	0.69	0.69	0.79	0.59	0.69	0.78	0.78	0.89	0.62	0.73	0.83	0.83	0.94
		PI	1.23	1.23	1.23	1.23	1.23	1.38	1.38	1.38	1.38	1.38	1.46	1.46	1.47	1.47	1.47
	80°F	TC	22696	22726	22751	22752	22782	25501	25534	25563	25567	25596	27038	27067	27096	27101	27134
		S/T	0.53	0.62	0.70	0.70	0.80	0.59	0.70	0.79	0.79	0.90	0.63	0.74	0.84	0.84	0.95
		PI	1.23	1.23	1.24	1.24	1.24	1.39	1.39	1.39	1.39	1.39	1.47	1.47	1.47	1.47	1.47
	86°F	TC	21533	21562	21586	21587	21616	24195	24227	24254	24258	24285	25653	25681	25709	25713	25745
		S/T	0.53	0.63	0.71	0.71	0.81	0.60	0.70	0.80	0.80	0.91	0.64	0.75	0.85	0.85	0.97
		PI	1.47	1.47	1.48	1.48	1.48	1.65	1.66	1.66	1.66	1.66	1.75	1.76	1.76	1.76	1.76
	95°F	TC	19772	19799	19820	19821	19848	22216	22245	22270	22274	22299	23555	23581	23606	23610	23639
		S/T	0.53	0.63	0.71	0.71	0.81	0.60	0.70	0.80	0.80	0.91	0.64	0.75	0.85	0.85	0.97
		PI	1.84	1.84	1.84	1.84	1.84	2.06	2.07	2.07	2.07	2.07	2.19	2.19	2.19	2.19	2.20
	104°F	TC	15696	15717	15734	15735	15756	17636	17659	17679	17682	17702	18699	18719	18740	18742	18766
		S/T	0.55	0.64	0.73	0.73	0.83	0.62	0.72	0.82	0.82	0.93	0.65	0.76	0.87	0.87	0.99
		PI	1.76	1.76	1.76	1.76	1.77	1.98	1.98	1.98	1.98	1.98	2.10	2.10	2.10	2.10	2.10
	110°F	TC	13250	13268	13282	13283	13301	14888	14907	14924	14927	14944	15785	15802	15820	15822	15842
		S/T	0.57	0.67	0.76	0.76	0.86	0.64	0.75	0.85	0.85	0.97	0.68	0.79	0.90	0.90	1.00
		PI	1.71	1.72	1.72	1.72	1.72	1.93	1.93	1.93	1.93	1.93	2.04	2.04	2.05	2.05	2.05
	115°F	TC	11794	11810	11823	11823	11839	13252	13269	13284	13287	13302	14051	14066	14081	14084	14101
		S/T	0.57	0.67	0.77	0.77	0.87	0.65	0.76	0.86	0.86	0.98	0.68	0.80	0.91	0.91	1.00
		PI	1.62	1.62	1.62	1.62	1.62	1.82	1.82	1.82	1.82	1.83	1.93	1.93	1.93	1.93	1.94
122°F	TC	9853	9866	9877	9878	9891	11071	11086	11098	11100	11112	11738	11751	11764	11766	11780	
	S/T	0.59	0.69	0.78	0.78	0.89	0.66	0.77	0.88	0.88	1.00	0.70	0.82	0.93	0.93	1.00	
	PI	1.49	1.49	1.49	1.49	1.50	1.67	1.68	1.68	1.68	1.68	1.78	1.78	1.78	1.78	1.78	

TC:Total Cooling Capacity (BTU/hr)

S/T:Sensible Cooling Capacity Ratio

PI:Power Input(kW)

18MUC-HH-SYS Expanded Heating @ 488 CFM

CFM	HEATING PERFORMANCE AT INDOOR DRY BULB TEMPERATURE										
	ODDB	TC: Total Heating Capacity(BTU/hr)					PI: Power Input(kW)				
		Indoor Conditions (DB °F)					Indoor Conditions (DB °F)				
		60.8°F	68°F	70°F	71.6°F	75.2°F	60.8°F	68°F	70°F	71.6°F	75.2°F
488	-22°F	8385	8218	8177	8224	8150	1.83	1.85	1.85	1.85	1.86
	-13°F	11653	11420	11362	10988	10889	1.98	2.00	2.00	2.01	2.01
	-4°F	14030	13750	13681	13230	13111	2.10	2.12	2.12	2.13	2.13
	0°F	15117	14815	14741	14255	14127	2.18	2.20	2.20	2.21	2.22
	5°F	16476	16146	16066	15537	15397	2.28	2.30	2.31	2.31	2.32
	14°F	19246	18861	18767	18149	17985	2.47	2.49	2.49	2.50	2.51
	17°F	20169	19766	19667	19019	18848	2.53	2.55	2.56	2.56	2.57
	22°F	19222	18837	18743	18126	17963	2.39	2.41	2.42	2.42	2.43
	27°F	18274	17908	17819	17232	17077	2.26	2.27	2.28	2.28	2.29
	32°F	17326	16980	16895	16338	16191	2.12	2.14	2.14	2.14	2.15
	35°F	16758	16422	16340	15802	15660	2.04	2.05	2.06	2.06	2.07
	37°F	17452	17103	17017	16457	16309	2.00	2.02	2.02	2.02	2.03
	42°F	19187	18803	18709	18093	17930	1.91	1.92	1.93	1.93	1.94
	44.6°F	19880	19483	19385	18747	18578	1.87	1.89	1.89	1.89	1.90
	47°F	20921	20503	20401	19729	19551	1.82	1.83	1.84	1.84	1.85
	52°F	19383	18995	18900	18278	18114	1.76	1.78	1.78	1.79	1.79
	57°F	17845	17488	17400	16827	16676	1.71	1.72	1.73	1.73	1.74
59°F	17229	16885	16800	16247	16101	1.69	1.70	1.71	1.71	1.72	
62°F	16306	15980	15900	15377	15238	1.66	1.67	1.67	1.68	1.68	
64.4°F	15691	15377	15300	14797	14663	1.64	1.65	1.65	1.66	1.66	

18MUC-HH-SYS Expanded Heating @ 529 CFM

CFM	HEATING PERFORMANCE AT INDOOR DRY BULB TEMPERATURE										
	ODDB	TC: Total Heating Capacity(BTU/hr)					PI: Power Input(kW)				
		Indoor Conditions (DB °F)					Indoor Conditions (DB °F)				
		60.8°F	68°F	70°F	71.6°F	75.2°F	60.8°F	68°F	70°F	71.6°F	75.2°F
529	-22°F	8908	8730	8686	8694	8615	1.85	1.86	1.87	1.87	1.88
	-13°F	12138	11895	11836	11616	11512	2.00	2.02	2.02	2.03	2.04
	-4°F	14615	14322	14251	13986	13860	2.12	2.14	2.14	2.15	2.16
	0°F	15747	15432	15355	15070	14934	2.20	2.22	2.23	2.23	2.24
	5°F	17162	16819	16735	16424	16276	2.31	2.33	2.33	2.33	2.34
	14°F	20048	19647	19549	19186	19013	2.49	2.51	2.52	2.52	2.53
	17°F	21010	20589	20486	20106	19925	2.56	2.58	2.58	2.59	2.60
	22°F	20022	19622	19524	19161	18989	2.42	2.44	2.44	2.45	2.46
	27°F	19035	18655	18561	18217	18053	2.28	2.30	2.30	2.31	2.32
	32°F	18048	17687	17599	17272	17116	2.14	2.16	2.16	2.17	2.17
	35°F	17456	17107	17021	16705	16555	2.06	2.07	2.08	2.08	2.09
	37°F	18179	17815	17726	17397	17240	2.02	2.04	2.04	2.04	2.05
	42°F	19986	19586	19488	19126	18954	1.93	1.94	1.95	1.95	1.96
	44.6°F	20709	20295	20193	19818	19640	1.89	1.91	1.91	1.91	1.92
	47°F	21793	21357	21251	20856	20668	1.84	1.85	1.85	1.86	1.87
	52°F	20191	19787	19688	19322	19148	1.78	1.80	1.80	1.80	1.81
	57°F	18588	18217	18125	17789	17629	1.73	1.74	1.75	1.75	1.76
59°F	17947	17588	17500	17175	17021	1.71	1.72	1.72	1.73	1.73	
62°F	16986	16646	16563	16255	16109	1.67	1.69	1.69	1.69	1.70	
64.4°F	16345	16018	15938	15642	15501	1.65	1.67	1.67	1.67	1.68	

18MUC-HH-SYS Expanded Heating @ 576 CFM

CFM	HEATING PERFORMANCE AT INDOOR DRY BULB TEMPERATURE										
	ODDB	TC: Total Heating Capacity(BTU/hr)					PI: Power Input(kW)				
		Indoor Conditions (DB °F)					Indoor Conditions (DB °F)				
		60.8°F	68°F	70°F	71.6°F	75.2°F	60.8°F	68°F	70°F	71.6°F	75.2°F
576	-22°F	9463	9274	9227	9190	9108	1.87	1.88	1.89	1.89	1.90
	-13°F	12644	12391	12329	12280	12169	2.02	2.04	2.04	2.05	2.06
	-4°F	15224	14919	14845	14785	14652	2.14	2.16	2.17	2.17	2.18
	0°F	16403	16075	15995	15931	15787	2.23	2.24	2.25	2.25	2.26
	5°F	17877	17520	17432	17363	17206	2.33	2.35	2.35	2.36	2.37
	14°F	20883	20465	20363	20282	20099	2.52	2.54	2.54	2.55	2.56
	17°F	21885	21447	21340	21255	21063	2.58	2.60	2.61	2.61	2.62
	22°F	20857	20440	20337	20256	20074	2.44	2.46	2.47	2.47	2.48
	27°F	19828	19432	19335	19257	19084	2.30	2.32	2.33	2.33	2.34
	32°F	18800	18424	18332	18259	18094	2.16	2.18	2.18	2.19	2.20
	35°F	18183	17819	17730	17659	17501	2.08	2.09	2.10	2.10	2.11
	37°F	18936	18557	18465	18391	18225	2.04	2.06	2.06	2.07	2.07
	42°F	20819	20402	20300	20219	20037	1.95	1.96	1.97	1.97	1.98
	44.6°F	21572	21140	21035	20950	20762	1.91	1.93	1.93	1.93	1.94
	47°F	22701	22247	22136	22047	21849	1.85	1.87	1.87	1.88	1.88
	52°F	21032	20611	20508	20426	20242	1.80	1.81	1.82	1.82	1.83
	57°F	19363	18976	18881	18805	18636	1.75	1.76	1.76	1.77	1.77
59°F	18695	18321	18230	18157	17993	1.72	1.74	1.74	1.74	1.75	
62°F	17694	17340	17253	17184	17029	1.69	1.70	1.71	1.71	1.72	
64.4°F	17026	16685	16602	16536	16387	1.67	1.68	1.69	1.69	1.70	

18MUC-HH-SYS Expanded Heating @ 618 CFM

CFM	HEATING PERFORMANCE AT INDOOR DRY BULB TEMPERATURE										
	ODDB	TC: Total Heating Capacity(BTU/hr)					PI: Power Input(kW)				
		Indoor Conditions (DB °F)					Indoor Conditions (DB °F)				
		60.8°F	68°F	70°F	71.6°F	75.2°F	60.8°F	68°F	70°F	71.6°F	75.2°F
618	-22°F	9857	9660	9612	9573	9487	1.89	1.90	1.91	1.91	1.92
	-13°F	13171	12907	12843	12791	12676	2.04	2.06	2.06	2.07	2.08
	-4°F	15858	15541	15463	15401	15263	2.17	2.18	2.19	2.19	2.20
	0°F	17087	16745	16661	16595	16445	2.25	2.27	2.27	2.28	2.29
	5°F	18622	18250	18159	18086	17923	2.35	2.37	2.38	2.38	2.39
	14°F	21753	21318	21212	21127	20937	2.54	2.57	2.57	2.58	2.59
	17°F	22797	22341	22229	22140	21941	2.61	2.63	2.64	2.64	2.65
	22°F	21726	21291	21185	21100	20910	2.47	2.49	2.49	2.50	2.51
	27°F	20655	20241	20140	20060	19879	2.33	2.34	2.35	2.35	2.36
	32°F	19583	19192	19096	19019	18848	2.18	2.20	2.21	2.21	2.22
	35°F	18941	18562	18469	18395	18230	2.10	2.12	2.12	2.12	2.13
	37°F	19725	19331	19234	19157	18985	2.06	2.08	2.08	2.09	2.09
	42°F	21686	21252	21146	21062	20872	1.97	1.98	1.99	1.99	2.00
	44.6°F	22471	22021	21911	21823	21627	1.93	1.95	1.95	1.95	1.96
	47°F	23647	23174	23058	22966	22759	1.87	1.89	1.89	1.90	1.90
	52°F	21908	21470	21363	21277	21086	1.82	1.83	1.84	1.84	1.85
	57°F	20170	19766	19667	19589	19412	1.76	1.78	1.78	1.78	1.79
59°F	19474	19085	18989	18913	18743	1.74	1.75	1.76	1.76	1.77	
62°F	18431	18062	17972	17900	17739	1.71	1.72	1.73	1.73	1.74	
64.4°F	17735	17381	17294	17225	17070	1.69	1.70	1.70	1.71	1.71	

24MUC-HH-SYS Expanded Cooling @ 629 CFM

CFM	ODDB	ID WB(°F)	60.8°F					67.0°F					71.6°F				
		ID DB(°F)	73.4°F	77.0°F	80.0°F	80.6°F	84.2°F	73.4°F	77.0°F	80.0°F	80.6°F	84.2°F	73.4°F	77.0°F	80.0°F	80.6°F	84.2°F
629	50°F	TC	20628	20656	20678	20679	20707	23178	23208	23234	23238	23264	24574	24601	24628	24631	24662
		S/T	0.43	0.50	0.57	0.57	0.65	0.48	0.56	0.64	0.64	0.73	0.51	0.60	0.68	0.68	0.77
		PI	1.32	1.33	1.33	1.33	1.33	1.49	1.49	1.49	1.49	1.49	1.58	1.58	1.58	1.58	1.58
	59°F	TC	20678	20706	20728	20729	20757	23234	23264	23290	23294	23320	24634	24660	24687	24691	24722
		S/T	0.43	0.50	0.57	0.57	0.65	0.48	0.56	0.64	0.64	0.73	0.51	0.60	0.68	0.68	0.77
		PI	1.40	1.40	1.40	1.40	1.41	1.57	1.58	1.58	1.58	1.58	1.67	1.67	1.67	1.67	1.67
	68°F	TC	20728	20756	20778	20779	20807	23290	23320	23346	23351	23377	24693	24720	24747	24751	24782
		S/T	0.44	0.52	0.59	0.59	0.67	0.49	0.58	0.66	0.66	0.75	0.52	0.61	0.70	0.70	0.80
		PI	1.48	1.48	1.48	1.48	1.48	1.66	1.66	1.66	1.66	1.66	1.76	1.76	1.76	1.76	1.76
	77°F	TC	20778	20806	20828	20829	20857	23346	23377	23403	23407	23433	24753	24780	24807	24811	24842
		S/T	0.45	0.52	0.59	0.59	0.68	0.50	0.59	0.67	0.67	0.76	0.53	0.62	0.71	0.71	0.81
		PI	1.55	1.55	1.55	1.55	1.56	1.74	1.74	1.75	1.75	1.75	1.85	1.85	1.85	1.85	1.85
	80°F	TC	20795	20823	20845	20846	20874	23365	23396	23422	23426	23452	24773	24800	24827	24831	24862
		S/T	0.45	0.53	0.60	0.60	0.69	0.51	0.59	0.68	0.68	0.77	0.54	0.63	0.72	0.72	0.82
		PI	1.58	1.58	1.58	1.58	1.58	1.77	1.77	1.78	1.78	1.78	1.88	1.88	1.88	1.88	1.88
	86°F	TC	20723	20751	20773	20774	20802	23284	23315	23341	23345	23371	24687	24714	24741	24745	24776
		S/T	0.46	0.54	0.61	0.61	0.69	0.51	0.60	0.68	0.68	0.78	0.54	0.64	0.72	0.72	0.83
		PI	1.76	1.77	1.77	1.77	1.77	1.98	1.98	1.99	1.99	1.99	2.10	2.10	2.11	2.11	2.11
	95°F	TC	20614	20641	20664	20665	20692	23162	23192	23218	23222	23248	24557	24584	24611	24615	24645
		S/T	0.46	0.54	0.61	0.61	0.69	0.51	0.60	0.68	0.68	0.78	0.54	0.64	0.72	0.72	0.83
		PI	2.05	2.05	2.05	2.05	2.05	2.30	2.30	2.30	2.31	2.31	2.44	2.44	2.44	2.44	2.45
	104°F	TC	17101	17124	17142	17143	17166	19215	19240	19261	19265	19286	20373	20395	20417	20420	20446
		S/T	0.47	0.55	0.62	0.62	0.71	0.53	0.62	0.70	0.70	0.80	0.56	0.65	0.74	0.74	0.85
		PI	1.98	1.98	1.98	1.98	1.98	2.22	2.22	2.23	2.23	2.23	2.36	2.36	2.36	2.36	2.36
	110°F	TC	14993	15014	15030	15030	15051	16847	16869	16887	16890	16909	17862	17881	17901	17903	17926
		S/T	0.49	0.57	0.65	0.65	0.74	0.54	0.64	0.73	0.73	0.83	0.58	0.68	0.77	0.77	0.88
		PI	1.94	1.94	1.94	1.94	1.94	2.18	2.18	2.18	2.18	2.18	2.31	2.31	2.31	2.31	2.31
115°F	TC	13456	13474	13489	13489	13507	15119	15139	15156	15159	15176	16030	16048	16065	16068	16088	
	S/T	0.49	0.58	0.65	0.65	0.75	0.55	0.65	0.74	0.74	0.84	0.58	0.69	0.78	0.78	0.89	
	PI	1.82	1.82	1.83	1.83	1.83	2.05	2.05	2.05	2.05	2.05	2.17	2.17	2.17	2.17	2.18	
122°F	TC	11406	11422	11434	11435	11450	12816	12833	12847	12850	12864	13589	13603	13618	13620	13637	
	S/T	0.50	0.59	0.67	0.67	0.76	0.56	0.66	0.75	0.75	0.86	0.60	0.70	0.80	0.80	0.91	
	PI	1.67	1.67	1.67	1.67	1.67	1.87	1.88	1.88	1.88	1.88	1.99	1.99	1.99	1.99	1.99	

TC:Total Cooling Capacity (BTU/hr)

S/T:Sensible Cooling Capacity Ratio

PI:Power Input(kW)

24MUC-HH-SYS Expanded Cooling @ 694 CFM

CFM	ODDB	ID WB(°F)	60.8°F					67.0°F					71.6°F				
		ID DB(°F)	73.4°F	77.0°F	80.0°F	80.6°F	84.2°F	73.4°F	77.0°F	80.0°F	80.6°F	84.2°F	73.4°F	77.0°F	80.0°F	80.6°F	84.2°F
694	50°F	TC	21735	21764	21787	21788	21818	24421	24453	24480	24485	24512	25893	25921	25949	25953	25985
		S/T	0.45	0.53	0.60	0.60	0.68	0.50	0.59	0.67	0.67	0.77	0.53	0.63	0.71	0.71	0.81
		PI	1.40	1.40	1.40	1.40	1.40	1.57	1.57	1.57	1.57	1.57	1.66	1.66	1.67	1.67	1.67
	59°F	TC	21787	21817	21840	21841	21871	24481	24512	24540	24544	24572	25956	25984	26012	26016	26049
		S/T	0.45	0.53	0.60	0.60	0.69	0.51	0.59	0.68	0.68	0.77	0.54	0.63	0.72	0.72	0.82
		PI	1.48	1.48	1.48	1.48	1.48	1.66	1.66	1.66	1.66	1.66	1.76	1.76	1.76	1.76	1.76
	68°F	TC	21840	21870	21893	21894	21924	24540	24572	24599	24604	24631	26018	26047	26075	26079	26112
		S/T	0.46	0.54	0.62	0.62	0.70	0.52	0.61	0.69	0.69	0.79	0.55	0.65	0.74	0.74	0.84
		PI	1.55	1.56	1.56	1.56	1.56	1.75	1.75	1.75	1.75	1.75	1.85	1.85	1.86	1.86	1.86
	77°F	TC	21893	21922	21946	21947	21977	24599	24631	24659	24663	24691	26081	26110	26138	26142	26175
		S/T	0.47	0.55	0.63	0.63	0.71	0.53	0.62	0.70	0.70	0.80	0.56	0.66	0.74	0.74	0.85
		PI	1.63	1.64	1.64	1.64	1.64	1.84	1.84	1.84	1.84	1.84	1.95	1.95	1.95	1.95	1.95
	80°F	TC	21911	21940	21964	21965	21995	24619	24651	24679	24683	24711	26103	26131	26159	26163	26196
		S/T	0.47	0.56	0.63	0.63	0.72	0.53	0.63	0.71	0.71	0.81	0.57	0.66	0.75	0.75	0.86
		PI	1.66	1.66	1.67	1.67	1.67	1.87	1.87	1.87	1.87	1.87	1.98	1.98	1.98	1.98	1.99
	86°F	TC	21835	21864	21888	21889	21918	24534	24566	24593	24598	24625	26012	26040	26069	26073	26105
		S/T	0.48	0.56	0.64	0.64	0.73	0.54	0.63	0.72	0.72	0.82	0.57	0.67	0.76	0.76	0.87
		PI	1.86	1.86	1.86	1.86	1.86	2.09	2.09	2.09	2.09	2.10	2.21	2.22	2.22	2.22	2.22
	95°F	TC	21720	21749	21772	21773	21803	24405	24436	24464	24468	24495	25875	25903	25931	25935	25968
		S/T	0.48	0.56	0.64	0.64	0.73	0.54	0.63	0.72	0.72	0.82	0.57	0.67	0.76	0.76	0.87
		PI	2.16	2.16	2.16	2.16	2.16	2.42	2.43	2.43	2.43	2.43	2.57	2.57	2.57	2.57	2.58
	104°F	TC	18019	18043	18062	18063	18087	20246	20272	20295	20299	20321	21466	21489	21513	21516	21543
		S/T	0.49	0.58	0.66	0.66	0.75	0.55	0.65	0.74	0.74	0.84	0.59	0.69	0.78	0.78	0.89
		PI	2.08	2.09	2.09	2.09	2.09	2.34	2.34	2.35	2.35	2.35	2.48	2.48	2.49	2.49	2.49
	110°F	TC	15798	15819	15836	15837	15858	17751	17774	17794	17797	17817	18820	18841	18861	18864	18888
		S/T	0.51	0.60	0.68	0.68	0.78	0.57	0.67	0.77	0.77	0.87	0.61	0.71	0.81	0.81	0.93
		PI	2.04	2.04	2.04	2.04	2.05	2.29	2.29	2.30	2.30	2.30	2.43	2.43	2.44	2.44	2.44
	115°F	TC	14178	14197	14213	14213	14232	15931	15951	15969	15972	15990	16891	16909	16927	16930	16951
		S/T	0.52	0.61	0.69	0.69	0.79	0.58	0.68	0.77	0.77	0.88	0.62	0.72	0.82	0.82	0.94
		PI	1.92	1.92	1.92	1.92	1.93	2.16	2.16	2.16	2.16	2.16	2.29	2.29	2.29	2.29	2.29
122°F	TC	12019	12035	12048	12048	12064	13504	13522	13537	13539	13554	14318	14333	14349	14351	14369	
	S/T	0.53	0.62	0.71	0.71	0.80	0.59	0.70	0.79	0.79	0.90	0.63	0.74	0.84	0.84	0.96	
	PI	1.76	1.76	1.76	1.76	1.76	1.97	1.98	1.98	1.98	1.98	2.09	2.10	2.10	2.10	2.10	

TC:Total Cooling Capacity (BTU/hr)

S/T:Sensible Cooling Capacity Ratio

PI:Power Input(kW)

24MUC-HH-SYS Expanded Cooling @ 759 CFM

CFM	ODDB	ID WB(°F)	60.8°F					67.0°F					71.6°F				
		ID DB(°F)	73.4°F	77.0°F	80.0°F	80.6°F	84.2°F	73.4°F	77.0°F	80.0°F	80.6°F	84.2°F	73.4°F	77.0°F	80.0°F	80.6°F	84.2°F
759	50°F	TC	22901	22932	22957	22958	22989	25732	25765	25794	25799	25828	27282	27312	27342	27346	27380
		S/T	0.47	0.55	0.63	0.63	0.72	0.53	0.62	0.71	0.71	0.81	0.56	0.66	0.75	0.75	0.86
		PI	1.47	1.47	1.47	1.47	1.48	1.65	1.65	1.66	1.66	1.66	1.75	1.75	1.76	1.76	1.76
	59°F	TC	22957	22987	23012	23013	23044	25794	25828	25857	25861	25890	27348	27378	27408	27412	27446
		S/T	0.48	0.56	0.63	0.63	0.72	0.53	0.63	0.71	0.71	0.81	0.57	0.66	0.75	0.75	0.86
		PI	1.55	1.56	1.56	1.56	1.56	1.75	1.75	1.75	1.75	1.75	1.85	1.85	1.86	1.86	1.86
	68°F	TC	23012	23043	23068	23069	23100	25857	25890	25919	25924	25953	27415	27444	27474	27479	27513
		S/T	0.49	0.57	0.65	0.65	0.74	0.55	0.64	0.73	0.73	0.83	0.58	0.68	0.77	0.77	0.88
		PI	1.64	1.64	1.64	1.64	1.64	1.84	1.84	1.84	1.85	1.85	1.95	1.95	1.96	1.96	1.96
	77°F	TC	23068	23099	23124	23125	23156	25919	25953	25982	25987	26016	27481	27511	27541	27545	27579
		S/T	0.49	0.58	0.66	0.66	0.75	0.56	0.65	0.74	0.74	0.84	0.59	0.69	0.78	0.78	0.89
		PI	1.72	1.72	1.73	1.73	1.73	1.93	1.94	1.94	1.94	1.94	2.05	2.05	2.06	2.06	2.06
	80°F	TC	23087	23118	23143	23144	23175	25940	25974	26003	26008	26037	27503	27533	27563	27567	27602
		S/T	0.50	0.59	0.67	0.67	0.76	0.56	0.66	0.75	0.75	0.85	0.60	0.70	0.79	0.79	0.91
		PI	1.75	1.75	1.75	1.75	1.76	1.97	1.97	1.97	1.97	1.97	2.08	2.09	2.09	2.09	2.09
	86°F	TC	23007	23038	23062	23063	23094	25850	25884	25913	25918	25947	27408	27438	27468	27472	27506
		S/T	0.51	0.59	0.68	0.68	0.77	0.57	0.67	0.76	0.76	0.87	0.60	0.71	0.80	0.80	0.92
		PI	1.96	1.96	1.96	1.96	1.96	2.20	2.20	2.20	2.21	2.21	2.33	2.33	2.34	2.34	2.34
	95°F	TC	22885	22916	22941	22942	22973	25714	25748	25776	25781	25810	27264	27293	27323	27327	27361
		S/T	0.51	0.59	0.68	0.68	0.77	0.57	0.67	0.76	0.76	0.87	0.60	0.71	0.80	0.80	0.92
		PI	2.27	2.27	2.28	2.28	2.28	2.55	2.56	2.56	2.56	2.56	2.71	2.71	2.71	2.71	2.72
	104°F	TC	18986	19011	19032	19032	19058	21332	21360	21384	21388	21412	22618	22642	22667	22670	22699
		S/T	0.52	0.61	0.69	0.69	0.79	0.58	0.68	0.78	0.78	0.89	0.62	0.73	0.82	0.83	0.94
		PI	2.20	2.20	2.20	2.20	2.20	2.47	2.47	2.47	2.47	2.48	2.62	2.62	2.62	2.62	2.62
	110°F	TC	16646	16668	16686	16687	16709	18703	18728	18748	18752	18773	19830	19852	19873	19876	19901
		S/T	0.54	0.63	0.72	0.72	0.82	0.61	0.71	0.81	0.81	0.92	0.64	0.75	0.86	0.86	0.97
		PI	2.15	2.15	2.15	2.15	2.16	2.41	2.42	2.42	2.42	2.42	2.56	2.56	2.57	2.57	2.57
	115°F	TC	14939	14959	14975	14976	14996	16786	16807	16826	16829	16848	17797	17816	17836	17838	17861
		S/T	0.54	0.64	0.73	0.73	0.83	0.61	0.72	0.82	0.82	0.93	0.65	0.76	0.87	0.87	0.99
		PI	2.02	2.02	2.03	2.03	2.03	2.27	2.27	2.28	2.28	2.28	2.41	2.41	2.41	2.41	2.42
122°F	TC	12663	12680	12694	12695	12712	14229	14247	14263	14266	14282	15086	15102	15119	15121	15140	
	S/T	0.56	0.65	0.74	0.74	0.85	0.63	0.73	0.84	0.84	0.95	0.66	0.78	0.89	0.89	1.00	
	PI	1.85	1.85	1.86	1.86	1.86	2.08	2.08	2.09	2.09	2.09	2.21	2.21	2.21	2.21	2.21	

TC:Total Cooling Capacity (BTU/hr)

S/T:Sensible Cooling Capacity Ratio

PI:Power Input(kW)

24MUC-HH-SYS Expanded Cooling @ 824 CFM

CFM	ODDB	ID WB(°F)	60.8°F					67.0°F					71.6°F				
		ID DB(°F)	73.4°F	77.0°F	80.0°F	80.6°F	84.2°F	73.4°F	77.0°F	80.0°F	80.6°F	84.2°F	73.4°F	77.0°F	80.0°F	80.6°F	84.2°F
824	50°F	TC	24130	24162	24188	24189	24222	27113	27148	27178	27183	27213	28746	28777	28809	28813	28849
		S/T	0.50	0.58	0.66	0.66	0.76	0.56	0.66	0.75	0.75	0.85	0.59	0.70	0.79	0.79	0.90
		PI	1.55	1.55	1.55	1.55	1.56	1.74	1.74	1.75	1.75	1.75	1.85	1.85	1.85	1.85	1.85
	59°F	TC	24188	24221	24247	24248	24281	27178	27214	27244	27249	27280	28816	28847	28879	28883	28919
		S/T	0.50	0.59	0.67	0.67	0.76	0.56	0.66	0.75	0.75	0.86	0.60	0.70	0.80	0.80	0.91
		PI	1.64	1.64	1.64	1.64	1.64	1.84	1.84	1.84	1.84	1.85	1.95	1.95	1.96	1.96	1.96
	68°F	TC	24247	24280	24306	24307	24340	27244	27280	27310	27315	27346	28886	28917	28949	28953	28989
		S/T	0.51	0.60	0.69	0.69	0.78	0.58	0.68	0.77	0.77	0.88	0.61	0.72	0.82	0.82	0.93
		PI	1.73	1.73	1.73	1.73	1.73	1.94	1.94	1.94	1.94	1.95	2.06	2.06	2.06	2.06	2.06
	77°F	TC	24306	24338	24364	24366	24398	27310	27345	27376	27381	27412	28955	28987	29018	29023	29059
		S/T	0.52	0.61	0.69	0.69	0.79	0.59	0.69	0.78	0.78	0.89	0.62	0.73	0.83	0.83	0.94
		PI	1.81	1.82	1.82	1.82	1.82	2.04	2.04	2.04	2.04	2.05	2.16	2.16	2.17	2.17	2.17
	80°F	TC	24325	24358	24384	24386	24418	27332	27368	27398	27403	27434	28979	29011	29042	29047	29083
		S/T	0.53	0.62	0.70	0.70	0.80	0.59	0.70	0.79	0.79	0.90	0.63	0.74	0.84	0.84	0.95
		PI	1.84	1.85	1.85	1.85	1.85	2.07	2.07	2.08	2.08	2.08	2.20	2.20	2.20	2.20	2.20
	86°F	TC	24241	24274	24300	24301	24334	27238	27273	27303	27308	27339	28879	28910	28942	28946	28982
		S/T	0.53	0.63	0.71	0.71	0.81	0.60	0.70	0.80	0.80	0.91	0.64	0.75	0.85	0.85	0.97
		PI	2.06	2.07	2.07	2.07	2.07	2.32	2.32	2.32	2.32	2.33	2.46	2.46	2.46	2.46	2.47
	95°F	TC	24113	24146	24172	24173	24206	27094	27129	27160	27165	27195	28727	28758	28789	28794	28829
		S/T	0.53	0.63	0.71	0.71	0.81	0.60	0.70	0.80	0.80	0.91	0.64	0.75	0.85	0.85	0.97
		PI	2.39	2.40	2.40	2.40	2.40	2.69	2.69	2.70	2.70	2.70	2.85	2.85	2.86	2.86	2.86
	104°F	TC	20004	20031	20053	20054	20081	22477	22506	22531	22536	22561	23831	23857	23883	23887	23917
		S/T	0.55	0.64	0.73	0.73	0.83	0.62	0.72	0.82	0.82	0.93	0.65	0.76	0.87	0.87	0.99
		PI	2.31	2.32	2.32	2.32	2.32	2.60	2.60	2.61	2.61	2.61	2.76	2.76	2.76	2.76	2.77
	110°F	TC	17539	17562	17581	17582	17606	19707	19732	19754	19758	19780	20894	20917	20940	20943	20969
		S/T	0.57	0.67	0.76	0.76	0.86	0.64	0.75	0.85	0.85	0.97	0.68	0.79	0.90	0.90	1.00
		PI	2.26	2.27	2.27	2.27	2.27	2.54	2.55	2.55	2.55	2.55	2.70	2.70	2.70	2.70	2.71
	115°F	TC	15741	15762	15779	15779	15801	17686	17709	17729	17732	17752	18752	18772	18793	18796	18819
		S/T	0.57	0.67	0.77	0.77	0.87	0.65	0.76	0.86	0.86	0.98	0.68	0.80	0.91	0.91	1.00
		PI	2.13	2.13	2.14	2.14	2.14	2.39	2.40	2.40	2.40	2.40	2.54	2.54	2.54	2.54	2.55
122°F	TC	13343	13361	13375	13376	13394	14992	15012	15028	15031	15048	15896	15913	15930	15933	15953	
	S/T	0.59	0.69	0.78	0.78	0.89	0.66	0.77	0.88	0.88	1.00	0.70	0.82	0.93	0.93	1.00	
	PI	1.95	1.95	1.96	1.96	1.96	2.19	2.20	2.20	2.20	2.20	2.32	2.33	2.33	2.33	2.33	

TC:Total Cooling Capacity (BTU/hr)

S/T:Sensible Cooling Capacity Ratio

PI:Power Input(kW)

24MUC-HH-SYS Expanded Heating @ 629 CFM

CFM	HEATING PERFORMANCE AT INDOOR DRY BULB TEMPERATURE										
	OD DB (°F)	TC: Total Heating Capacity(BTU/hr)					PI: Power Input(kW)				
		Indoor Conditions (DB °F)					Indoor Conditions (DB °F)				
		60.8°F	68°F	70°F	71.6°F	75.2°F	60.8°F	68°F	70°F	71.6°F	75.2°F
629	-22°F	11717	11483	11426	11662	11557	2.67	2.69	2.70	2.70	2.71
	-13°F	16223	15899	15819	15526	15386	2.94	2.96	2.97	2.97	2.99
	-4°F	19092	18710	18616	18271	18107	3.06	3.08	3.09	3.09	3.11
	0°F	20497	20087	19987	19616	19439	3.19	3.21	3.22	3.22	3.24
	5°F	22253	21808	21699	21297	21105	3.35	3.37	3.38	3.39	3.40
	14°F	21859	21422	21315	20919	20731	3.07	3.09	3.10	3.10	3.12
	17°F	21727	21293	21186	20793	20606	2.97	3.00	3.00	3.01	3.02
	22°F	21973	21534	21426	21028	20839	2.93	2.96	2.96	2.97	2.98
	27°F	22219	21775	21666	21264	21072	2.90	2.92	2.92	2.93	2.94
	32°F	22465	22015	21905	21499	21305	2.86	2.88	2.89	2.89	2.90
	35°F	22612	22160	22049	21640	21445	2.83	2.86	2.86	2.87	2.88
	37°F	23584	23112	22997	22570	22367	2.82	2.84	2.85	2.85	2.87
	42°F	26015	25494	25367	24896	24672	2.79	2.81	2.81	2.82	2.83
	44.6°F	26987	26447	26315	25827	25594	2.77	2.80	2.80	2.81	2.82
	47°F	28445	27876	27737	27222	26977	2.75	2.78	2.78	2.79	2.80
	52°F	26353	25826	25697	25220	24993	2.67	2.69	2.70	2.70	2.72
	57°F	24262	23777	23658	23219	23010	2.59	2.61	2.62	2.62	2.63
59°F	23425	22957	22842	22418	22216	2.56	2.58	2.58	2.59	2.60	
62°F	22170	21727	21618	21217	21026	2.51	2.53	2.54	2.54	2.55	
64.4°F	21334	20907	20803	20417	20233	2.48	2.50	2.50	2.51	2.52	

24MUC-HH-SYS Expanded Heating @ 694 CFM

CFM	HEATING PERFORMANCE AT INDOOR DRY BULB TEMPERATURE										
	OD DB (°F)	TC: Total Heating Capacity(BTU/hr)					PI: Power Input(kW)				
		Indoor Conditions (DB °F)					Indoor Conditions (DB °F)				
		60.8°F	68°F	70°F	71.6°F	75.2°F	60.8°F	68°F	70°F	71.6°F	75.2°F
694	-22°F	12595	12343	12281	12383	12271	2.70	2.72	2.72	2.73	2.74
	-13°F	17099	16758	16674	16485	16337	2.97	2.99	3.00	3.00	3.02
	-4°F	20123	19721	19622	19400	19226	3.09	3.11	3.12	3.12	3.14
	0°F	21604	21172	21066	20828	20641	3.22	3.24	3.25	3.26	3.27
	5°F	23456	22986	22871	22613	22409	3.38	3.41	3.41	3.42	3.44
	14°F	23040	22579	22466	22212	22012	3.10	3.12	3.13	3.13	3.15
	17°F	22901	22443	22331	22078	21880	3.00	3.03	3.03	3.04	3.05
	22°F	23160	22697	22583	22328	22127	2.96	2.99	2.99	3.00	3.01
	27°F	23419	22951	22836	22578	22375	2.92	2.95	2.95	2.96	2.97
	32°F	23678	23205	23088	22827	22622	2.89	2.91	2.91	2.92	2.93
	35°F	23833	23357	23240	22977	22770	2.86	2.88	2.89	2.90	2.91
	37°F	24858	24361	24239	23965	23749	2.85	2.87	2.88	2.88	2.89
	42°F	27420	26871	26737	26435	26197	2.81	2.84	2.84	2.85	2.86
	44.6°F	28445	27876	27736	27423	27176	2.80	2.82	2.83	2.83	2.85
	47°F	29982	29382	29235	28905	28644	2.78	2.80	2.81	2.81	2.83
	52°F	27777	27222	27085	26779	26538	2.70	2.72	2.73	2.73	2.74
	57°F	25573	25061	24936	24654	24432	2.62	2.64	2.64	2.65	2.66
	59°F	24691	24197	24076	23804	23590	2.58	2.61	2.61	2.62	2.63
62°F	23368	22901	22786	22529	22326	2.54	2.56	2.56	2.57	2.58	
64.4°F	22486	22036	21926	21678	21483	2.50	2.52	2.53	2.53	2.54	

24MUC-HH-SYS Expanded Heating @ 759 CFM

CFM	HEATING PERFORMANCE AT INDOOR DRY BULB TEMPERATURE										
	OD DB (°F)	TC: Total Heating Capacity(BTU/hr)					PI: Power Input(kW)				
		Indoor Conditions (DB °F)					Indoor Conditions (DB °F)				
		60.8°F	68°F	70°F	71.6°F	75.2°F	60.8°F	68°F	70°F	71.6°F	75.2°F
759	-22°F	13538	13267	13201	13148	13030	2.72	2.75	2.75	2.76	2.77
	-13°F	18023	17663	17574	17504	17347	3.00	3.02	3.03	3.03	3.05
	-4°F	21210	20786	20682	20599	20414	3.12	3.14	3.15	3.16	3.17
	0°F	22771	22316	22204	22115	21916	3.25	3.28	3.28	3.29	3.30
	5°F	24723	24228	24107	24011	23794	3.41	3.44	3.45	3.46	3.47
	14°F	24284	23799	23680	23585	23373	3.13	3.15	3.16	3.17	3.18
	17°F	24138	23655	23537	23443	23232	3.03	3.06	3.06	3.07	3.08
	22°F	24411	23923	23803	23708	23495	2.99	3.02	3.02	3.03	3.04
	27°F	24684	24190	24070	23973	23757	2.95	2.98	2.98	2.99	3.00
	32°F	24957	24458	24336	24238	24020	2.91	2.94	2.94	2.95	2.96
	35°F	25121	24618	24495	24397	24178	2.89	2.91	2.92	2.93	2.94
	37°F	26201	25677	25549	25446	25217	2.88	2.90	2.91	2.91	2.92
	42°F	28901	28323	28181	28069	27816	2.84	2.87	2.87	2.88	2.89
	44.6°F	29981	29381	29235	29118	28856	2.83	2.85	2.86	2.86	2.88
	47°F	31601	30969	30814	30691	30415	2.81	2.83	2.84	2.84	2.85
	52°F	29278	28692	28549	28434	28178	2.73	2.75	2.75	2.76	2.77
	57°F	26954	26415	26283	26178	25942	2.64	2.67	2.67	2.68	2.69
59°F	26024	25504	25376	25275	25047	2.61	2.63	2.64	2.64	2.65	
62°F	24630	24138	24017	23921	23706	2.56	2.58	2.59	2.59	2.60	
64.4°F	23701	23227	23111	23018	22811	2.53	2.55	2.55	2.56	2.57	

24MUC-HH-SYS Expanded Heating @ 824 CFM

CFM	HEATING PERFORMANCE AT INDOOR DRY BULB TEMPERATURE										
	OD DB (°F)	TC: Total Heating Capacity(BTU/hr)					PI: Power Input(kW)				
		Indoor Conditions (DB °F)					Indoor Conditions (DB °F)				
		60.8°F	68°F	70°F	71.6°F	75.2°F	60.8°F	68°F	70°F	71.6°F	75.2°F
824	-22°F	14269	13984	13914	13858	13734	2.75	2.77	2.78	2.79	2.80
	-13°F	18997	18617	18524	18450	18284	3.03	3.05	3.06	3.06	3.08
	-4°F	22356	21909	21799	21712	21517	3.15	3.18	3.18	3.19	3.20
	0°F	24001	23521	23404	23310	23100	3.28	3.31	3.32	3.32	3.34
	5°F	26058	25537	25409	25308	25080	3.45	3.48	3.48	3.49	3.51
	14°F	25596	25084	24959	24859	24635	3.16	3.19	3.19	3.20	3.21
	17°F	25442	24933	24809	24709	24487	3.06	3.09	3.10	3.10	3.11
	22°F	25730	25215	25089	24989	24764	3.02	3.05	3.05	3.06	3.07
	27°F	26018	25497	25370	25268	25041	2.98	3.01	3.01	3.02	3.03
	32°F	26305	25779	25650	25548	25318	2.94	2.97	2.97	2.98	2.99
	35°F	26478	25948	25819	25715	25484	2.92	2.94	2.95	2.95	2.97
	37°F	27616	27064	26929	26821	26580	2.91	2.93	2.94	2.94	2.95
	42°F	30462	29853	29704	29585	29319	2.87	2.89	2.90	2.91	2.92
	44.6°F	31601	30969	30814	30691	30414	2.86	2.88	2.89	2.89	2.90
	47°F	33308	32642	32479	32349	32058	2.84	2.86	2.87	2.87	2.88
	52°F	30859	30242	30091	29970	29701	2.75	2.78	2.78	2.79	2.80
	57°F	28410	27842	27703	27592	27343	2.67	2.69	2.70	2.70	2.71
	59°F	27430	26882	26747	26640	26401	2.64	2.66	2.66	2.67	2.68
62°F	25961	25442	25314	25213	24986	2.59	2.61	2.61	2.62	2.63	
64.4°F	24981	24482	24359	24262	24043	2.55	2.57	2.58	2.58	2.59	

30MUC-HH-SYS Expanded Cooling @ 712 CFM

CFM	ODDB	ID WB(°F)	60.8°F					67.0°F					71.6°F				
		ID DB(°F)	73.4°F	77.0°F	80.0°F	80.6°F	84.2°F	73.4°F	77.0°F	80.0°F	80.6°F	84.2°F	73.4°F	77.0°F	80.0°F	80.6°F	84.2°F
712	50°F	TC	26450	26485	26514	26515	26551	29719	29758	29791	29797	29830	31510	31544	31578	31583	31623
		S/T	0.40	0.47	0.54	0.54	0.61	0.45	0.53	0.60	0.60	0.69	0.48	0.56	0.64	0.64	0.73
		PI	1.18	1.18	1.19	1.19	1.19	1.33	1.33	1.33	1.33	1.33	1.41	1.41	1.41	1.41	1.41
	59°F	TC	26557	26592	26621	26622	26658	29839	29878	29911	29917	29950	31637	31672	31706	31711	31750
		S/T	0.41	0.48	0.54	0.54	0.62	0.46	0.53	0.61	0.61	0.69	0.48	0.57	0.64	0.64	0.73
		PI	1.28	1.28	1.28	1.28	1.28	1.44	1.44	1.44	1.44	1.44	1.52	1.52	1.53	1.53	1.53
	68°F	TC	26663	26699	26728	26729	26765	29959	29998	30032	30037	30071	31764	31799	31833	31838	31878
		S/T	0.42	0.49	0.55	0.55	0.63	0.47	0.55	0.62	0.62	0.71	0.50	0.58	0.66	0.66	0.75
		PI	1.37	1.37	1.38	1.38	1.38	1.54	1.54	1.55	1.55	1.55	1.63	1.64	1.64	1.64	1.64
	77°F	TC	26770	26806	26835	26836	26872	30079	30118	30152	30157	30191	31892	31926	31961	31966	32006
		S/T	0.42	0.49	0.56	0.56	0.64	0.47	0.56	0.63	0.63	0.72	0.50	0.59	0.67	0.67	0.76
		PI	1.47	1.47	1.47	1.47	1.47	1.65	1.65	1.65	1.65	1.65	1.75	1.75	1.75	1.75	1.75
	80°F	TC	26806	26843	26871	26873	26909	30120	30159	30193	30198	30232	31935	31970	32004	32009	32049
		S/T	0.43	0.50	0.57	0.57	0.65	0.48	0.56	0.64	0.64	0.73	0.51	0.60	0.68	0.68	0.77
		PI	1.50	1.50	1.50	1.50	1.50	1.68	1.69	1.69	1.69	1.69	1.79	1.79	1.79	1.79	1.79
	86°F	TC	25998	26033	26061	26063	26098	29212	29250	29283	29288	29321	30972	31006	31040	31044	31083
		S/T	0.43	0.51	0.58	0.58	0.66	0.49	0.57	0.65	0.65	0.74	0.51	0.60	0.69	0.69	0.78
		PI	1.90	1.90	1.90	1.90	1.90	2.13	2.13	2.13	2.14	2.14	2.26	2.26	2.26	2.26	2.27
	95°F	TC	24774	24807	24834	24835	24869	27836	27873	27904	27909	27940	29514	29546	29578	29582	29619
		S/T	0.43	0.51	0.58	0.58	0.66	0.49	0.57	0.65	0.65	0.74	0.51	0.60	0.69	0.69	0.78
		PI	2.50	2.50	2.50	2.50	2.51	2.80	2.81	2.81	2.81	2.82	2.97	2.98	2.98	2.98	2.98
	104°F	TC	21063	21092	21114	21115	21144	23667	23698	23724	23728	23755	25093	25120	25148	25151	25183
		S/T	0.44	0.52	0.59	0.59	0.67	0.50	0.58	0.66	0.66	0.76	0.53	0.62	0.70	0.70	0.80
		PI	2.48	2.48	2.48	2.48	2.49	2.78	2.79	2.79	2.79	2.79	2.95	2.95	2.96	2.96	2.96
	110°F	TC	18837	18862	18883	18883	18909	21165	21193	21216	21220	21244	22441	22465	22489	22493	22521
		S/T	0.46	0.54	0.61	0.61	0.70	0.52	0.61	0.69	0.69	0.78	0.55	0.64	0.73	0.73	0.83
		PI	2.47	2.47	2.47	2.47	2.48	2.77	2.77	2.78	2.78	2.78	2.94	2.94	2.94	2.94	2.95
115°F	TC	16703	16725	16743	16744	16766	18767	18792	18812	18816	18837	19898	19920	19941	19944	19969	
	S/T	0.46	0.55	0.62	0.62	0.71	0.52	0.61	0.70	0.70	0.79	0.55	0.65	0.74	0.74	0.84	
	PI	2.38	2.39	2.39	2.39	2.39	2.68	2.68	2.69	2.69	2.69	2.84	2.84	2.85	2.85	2.85	
122°F	TC	13857	13875	13890	13891	13910	15570	15590	15607	15610	15628	16508	16526	16544	16546	16567	
	S/T	0.48	0.56	0.63	0.63	0.72	0.53	0.63	0.71	0.71	0.81	0.57	0.66	0.75	0.75	0.86	
	PI	2.28	2.28	2.28	2.28	2.29	2.56	2.56	2.56	2.57	2.57	2.71	2.72	2.72	2.72	2.72	

TC:Total Cooling Capacity (BTU/hr)

S/T:Sensible Cooling Capacity Ratio

PI:Power Input(kW)

30MUC-HH-SYS Expanded Cooling @ 806 CFM

CFM	ODDB	ID WB(°F)	60.8°F					67.0°F					71.6°F				
		ID DB(°F)	73.4°F	77.0°F	80.0°F	80.6°F	84.2°F	73.4°F	77.0°F	80.0°F	80.6°F	84.2°F	73.4°F	77.0°F	80.0°F	80.6°F	84.2°F
806	50°F	TC	28383	28421	28451	28453	28491	31891	31932	31968	31974	32010	33812	33849	33886	33891	33933
		S/T	0.43	0.51	0.58	0.58	0.66	0.49	0.57	0.65	0.65	0.74	0.52	0.60	0.69	0.69	0.78
		PI	1.27	1.27	1.27	1.27	1.27	1.43	1.43	1.43	1.43	1.43	1.51	1.51	1.52	1.52	1.52
	59°F	TC	28497	28535	28566	28567	28606	32020	32061	32097	32103	32139	33949	33986	34023	34028	34070
		S/T	0.43	0.51	0.58	0.58	0.66	0.49	0.57	0.65	0.65	0.74	0.52	0.61	0.69	0.69	0.79
		PI	1.37	1.37	1.37	1.37	1.38	1.54	1.54	1.54	1.54	1.55	1.63	1.63	1.64	1.64	1.64
	68°F	TC	28612	28650	28681	28682	28721	32148	32190	32226	32232	32268	34085	34122	34160	34165	34207
		S/T	0.45	0.52	0.60	0.60	0.68	0.50	0.59	0.67	0.67	0.76	0.53	0.62	0.71	0.71	0.81
		PI	1.47	1.47	1.48	1.48	1.48	1.65	1.66	1.66	1.66	1.66	1.75	1.76	1.76	1.76	1.76
	77°F	TC	28726	28765	28796	28797	28836	32277	32319	32355	32361	32397	34222	34259	34296	34302	34344
		S/T	0.45	0.53	0.60	0.60	0.69	0.51	0.60	0.68	0.68	0.77	0.54	0.63	0.72	0.72	0.82
		PI	1.57	1.58	1.58	1.58	1.58	1.77	1.77	1.77	1.77	1.77	1.87	1.88	1.88	1.88	1.88
	80°F	TC	28765	28804	28835	28836	28875	32321	32363	32399	32405	32441	34268	34306	34343	34348	34391
		S/T	0.46	0.54	0.61	0.61	0.70	0.51	0.60	0.69	0.69	0.78	0.55	0.64	0.73	0.73	0.83
		PI	1.61	1.61	1.61	1.61	1.61	1.81	1.81	1.81	1.81	1.81	1.92	1.92	1.92	1.92	1.92
	86°F	TC	27898	27936	27966	27967	28005	31347	31387	31422	31428	31463	33235	33271	33308	33313	33354
		S/T	0.46	0.54	0.62	0.62	0.70	0.52	0.61	0.69	0.69	0.79	0.55	0.65	0.74	0.74	0.84
		PI	2.03	2.04	2.04	2.04	2.04	2.29	2.29	2.29	2.29	2.29	2.42	2.43	2.43	2.43	2.43
	95°F	TC	26584	26620	26649	26650	26686	29870	29909	29943	29948	29982	31670	31705	31739	31744	31784
		S/T	0.46	0.54	0.62	0.62	0.70	0.52	0.61	0.69	0.69	0.79	0.55	0.65	0.74	0.74	0.84
		PI	2.68	2.68	2.69	2.69	2.69	3.01	3.01	3.02	3.02	3.02	3.19	3.19	3.20	3.20	3.20
	104°F	TC	22602	22633	22657	22658	22689	25396	25429	25458	25462	25491	26926	26956	26985	26989	27023
		S/T	0.48	0.56	0.63	0.63	0.72	0.53	0.63	0.71	0.71	0.81	0.57	0.66	0.75	0.75	0.86
		PI	2.66	2.66	2.66	2.66	2.67	2.99	2.99	2.99	2.99	3.00	3.17	3.17	3.17	3.17	3.18
	110°F	TC	20213	20240	20262	20263	20291	22712	22741	22767	22771	22796	24080	24106	24133	24136	24167
		S/T	0.49	0.58	0.66	0.66	0.75	0.55	0.65	0.74	0.74	0.84	0.59	0.69	0.78	0.78	0.89
		PI	2.65	2.65	2.65	2.65	2.66	2.97	2.98	2.98	2.98	2.98	3.15	3.16	3.16	3.16	3.16
115°F	TC	17923	17947	17966	17967	17991	20138	20165	20187	20191	20213	21352	21375	21398	21402	21428	
	S/T	0.50	0.58	0.66	0.66	0.76	0.56	0.66	0.75	0.75	0.85	0.59	0.70	0.79	0.79	0.90	
	PI	2.56	2.56	2.57	2.57	2.57	2.88	2.88	2.88	2.88	2.89	3.05	3.05	3.06	3.06	3.06	
122°F	TC	14869	14889	14905	14906	14926	16707	16729	16748	16751	16769	17714	17733	17753	17755	17777	
	S/T	0.51	0.60	0.68	0.68	0.78	0.57	0.67	0.76	0.76	0.87	0.61	0.71	0.81	0.81	0.92	
	PI	2.44	2.45	2.45	2.45	2.45	2.75	2.75	2.75	2.75	2.76	2.91	2.91	2.92	2.92	2.92	

TC:Total Cooling Capacity (BTU/hr)

S/T:Sensible Cooling Capacity Ratio

PI:Power Input(kW)

30MUC-HH-SYS Expanded Cooling @ 894 CFM

CFM	ODDB	ID WB(°F)	60.8°F					67.0°F					71.6°F				
		ID DB(°F)	73.4°F	77.0°F	80.0°F	80.6°F	84.2°F	73.4°F	77.0°F	80.0°F	80.6°F	84.2°F	73.4°F	77.0°F	80.0°F	80.6°F	84.2°F
894	50°F	TC	30456	30497	30530	30532	30573	34221	34266	34304	34310	34348	36283	36323	36362	36368	36413
		S/T	0.46	0.54	0.62	0.62	0.71	0.52	0.61	0.70	0.70	0.79	0.55	0.65	0.74	0.74	0.84
		PI	1.36	1.36	1.37	1.37	1.37	1.53	1.53	1.53	1.53	1.54	1.62	1.62	1.63	1.63	1.63
	59°F	TC	30579	30621	30654	30655	30696	34359	34404	34442	34449	34487	36430	36469	36509	36515	36560
		S/T	0.47	0.55	0.62	0.62	0.71	0.52	0.62	0.70	0.70	0.80	0.56	0.65	0.74	0.74	0.84
		PI	1.47	1.47	1.47	1.47	1.48	1.65	1.65	1.66	1.66	1.66	1.75	1.75	1.76	1.76	1.76
	68°F	TC	30702	30744	30777	30778	30820	34497	34542	34581	34587	34626	36576	36616	36656	36661	36707
		S/T	0.48	0.56	0.64	0.64	0.73	0.54	0.63	0.72	0.72	0.82	0.57	0.67	0.76	0.76	0.87
		PI	1.58	1.58	1.58	1.58	1.59	1.78	1.78	1.78	1.78	1.78	1.88	1.88	1.89	1.89	1.89
	77°F	TC	30825	30867	30900	30901	30943	34636	34681	34719	34726	34765	36723	36762	36802	36808	36854
		S/T	0.49	0.57	0.65	0.65	0.74	0.55	0.64	0.73	0.73	0.83	0.58	0.68	0.77	0.77	0.88
		PI	1.69	1.69	1.69	1.69	1.70	1.90	1.90	1.90	1.90	1.90	2.01	2.01	2.02	2.02	2.02
	80°F	TC	30867	30909	30942	30943	30985	34683	34728	34766	34773	34812	36772	36812	36852	36858	36904
		S/T	0.49	0.58	0.66	0.66	0.75	0.55	0.65	0.74	0.74	0.84	0.59	0.69	0.78	0.78	0.89
		PI	1.73	1.73	1.73	1.73	1.73	1.94	1.94	1.94	1.94	1.95	2.06	2.06	2.06	2.06	2.06
	86°F	TC	29937	29977	30009	30011	30051	33637	33681	33718	33725	33762	35664	35703	35741	35747	35792
		S/T	0.50	0.58	0.66	0.66	0.76	0.56	0.66	0.75	0.75	0.85	0.59	0.70	0.79	0.79	0.90
		PI	2.18	2.19	2.19	2.19	2.19	2.45	2.46	2.46	2.46	2.46	2.60	2.60	2.61	2.61	2.61
	95°F	TC	28527	28565	28596	28597	28636	32053	32095	32130	32136	32172	33984	34021	34058	34064	34106
		S/T	0.50	0.58	0.66	0.66	0.76	0.56	0.66	0.75	0.75	0.85	0.59	0.70	0.79	0.79	0.90
		PI	2.87	2.88	2.88	2.88	2.89	3.23	3.23	3.24	3.24	3.24	3.42	3.43	3.43	3.43	3.44
	104°F	TC	24254	24287	24313	24314	24347	27252	27287	27318	27323	27353	28894	28925	28957	28961	28997
		S/T	0.51	0.60	0.68	0.68	0.78	0.57	0.67	0.76	0.76	0.87	0.61	0.71	0.81	0.81	0.92
		PI	2.85	2.86	2.86	2.86	2.86	3.20	3.21	3.21	3.21	3.22	3.40	3.40	3.41	3.41	3.41
	110°F	TC	21690	21719	21743	21744	21773	24371	24403	24430	24435	24462	25840	25868	25896	25900	25932
		S/T	0.53	0.62	0.70	0.71	0.80	0.59	0.70	0.79	0.79	0.90	0.63	0.74	0.84	0.84	0.96
		PI	2.84	2.84	2.85	2.85	2.85	3.19	3.19	3.20	3.20	3.20	3.38	3.39	3.39	3.39	3.39
115°F	TC	19233	19259	19279	19280	19306	21610	21638	21662	21666	21690	22912	22937	22962	22966	22994	
	S/T	0.53	0.63	0.71	0.71	0.81	0.60	0.71	0.80	0.80	0.91	0.64	0.75	0.85	0.85	0.97	
	PI	2.75	2.75	2.75	2.75	2.76	3.09	3.09	3.09	3.09	3.10	3.27	3.27	3.28	3.28	3.28	
122°F	TC	15956	15977	15995	15995	16017	17928	17951	17971	17975	17995	19008	19029	19050	19053	19076	
	S/T	0.55	0.64	0.73	0.73	0.83	0.62	0.72	0.82	0.82	0.93	0.65	0.76	0.87	0.87	0.99	
	PI	2.62	2.63	2.63	2.63	2.63	2.95	2.95	2.95	2.95	2.96	3.12	3.13	3.13	3.13	3.13	

TC:Total Cooling Capacity (BTU/hr)

S/T:Sensible Cooling Capacity Ratio

PI:Power Input(kW)

30MUC-HH-SYS Expanded Cooling @ 988 CFM

CFM	ODDB	ID WB(°F)	60.8°F					67.0°F					71.6°F				
		ID DB(°F)	73.4°F	77.0°F	80.0°F	80.6°F	84.2°F	73.4°F	77.0°F	80.0°F	80.6°F	84.2°F	73.4°F	77.0°F	80.0°F	80.6°F	84.2°F
988	50°F	TC	32682	32726	32761	32763	32807	36722	36769	36810	36817	36858	38934	38977	39019	39025	39074
		S/T	0.50	0.58	0.66	0.66	0.76	0.56	0.66	0.75	0.75	0.85	0.59	0.70	0.79	0.79	0.90
		PI	1.46	1.46	1.46	1.46	1.47	1.64	1.64	1.65	1.65	1.65	1.74	1.74	1.74	1.74	1.75
	59°F	TC	32814	32858	32893	32895	32939	36870	36918	36959	36966	37007	39091	39134	39177	39183	39231
		S/T	0.50	0.59	0.67	0.67	0.76	0.56	0.66	0.75	0.75	0.86	0.60	0.70	0.80	0.80	0.91
		PI	1.58	1.58	1.58	1.58	1.58	1.77	1.78	1.78	1.78	1.78	1.88	1.88	1.88	1.88	1.89
	68°F	TC	32946	32990	33026	33027	33072	37018	37066	37108	37115	37156	39249	39291	39334	39340	39389
		S/T	0.51	0.60	0.69	0.69	0.78	0.58	0.68	0.77	0.77	0.88	0.61	0.72	0.82	0.82	0.93
		PI	1.70	1.70	1.70	1.70	1.70	1.90	1.91	1.91	1.91	1.91	2.02	2.02	2.02	2.02	2.03
	77°F	TC	33078	33122	33158	33159	33204	37167	37215	37256	37263	37305	39406	39449	39492	39498	39547
		S/T	0.52	0.61	0.69	0.69	0.79	0.59	0.69	0.78	0.78	0.89	0.62	0.73	0.83	0.83	0.94
		PI	1.81	1.81	1.82	1.82	1.82	2.04	2.04	2.04	2.04	2.04	2.16	2.16	2.16	2.16	2.17
	80°F	TC	33123	33167	33203	33204	33249	37217	37265	37307	37314	37355	39459	39502	39545	39551	39601
		S/T	0.53	0.62	0.70	0.70	0.80	0.59	0.70	0.79	0.79	0.90	0.63	0.74	0.84	0.84	0.95
		PI	1.85	1.85	1.86	1.86	1.86	2.08	2.08	2.09	2.09	2.09	2.21	2.21	2.21	2.21	2.21
	86°F	TC	32124	32167	32202	32203	32247	36095	36142	36182	36189	36229	38270	38311	38353	38359	38407
		S/T	0.53	0.63	0.71	0.71	0.81	0.60	0.70	0.80	0.80	0.91	0.64	0.75	0.85	0.85	0.97
		PI	2.34	2.35	2.35	2.35	2.35	2.63	2.63	2.64	2.64	2.64	2.79	2.79	2.80	2.80	2.80
	95°F	TC	30611	30653	30686	30687	30728	34395	34440	34478	34485	34523	36468	36507	36547	36553	36598
		S/T	0.53	0.63	0.71	0.71	0.81	0.60	0.70	0.80	0.80	0.91	0.64	0.75	0.85	0.85	0.97
		PI	3.08	3.09	3.09	3.09	3.10	3.47	3.47	3.47	3.47	3.48	3.67	3.68	3.68	3.68	3.69
	104°F	TC	26026	26061	26089	26091	26126	29243	29281	29314	29319	29352	31005	31039	31073	31078	31116
		S/T	0.55	0.64	0.73	0.73	0.83	0.62	0.72	0.82	0.82	0.93	0.65	0.76	0.87	0.87	0.99
		PI	3.06	3.06	3.07	3.07	3.07	3.44	3.44	3.45	3.45	3.45	3.65	3.65	3.65	3.65	3.66
110°F	TC	23275	23307	23332	23333	23364	26152	26186	26215	26220	26250	27728	27758	27788	27793	27827	
	S/T	0.57	0.67	0.76	0.76	0.86	0.64	0.75	0.85	0.85	0.97	0.68	0.79	0.90	0.90	1.00	
	PI	3.05	3.05	3.05	3.05	3.06	3.42	3.43	3.43	3.43	3.44	3.63	3.63	3.64	3.64	3.64	
115°F	TC	20638	20666	20688	20689	20717	23189	23219	23245	23249	23275	24586	24613	24640	24644	24674	
	S/T	0.57	0.67	0.77	0.77	0.87	0.65	0.76	0.86	0.86	0.98	0.68	0.80	0.91	0.91	1.00	
	PI	2.95	2.95	2.95	2.95	2.96	3.31	3.32	3.32	3.32	3.32	3.51	3.51	3.52	3.52	3.52	
122°F	TC	17122	17145	17163	17164	17187	19238	19263	19285	19288	19310	20397	20419	20442	20445	20470	
	S/T	0.59	0.69	0.78	0.78	0.89	0.66	0.77	0.88	0.88	1.00	0.70	0.82	0.93	0.93	1.00	
	PI	2.81	2.82	2.82	2.82	2.82	3.16	3.17	3.17	3.17	3.17	3.35	3.36	3.36	3.36	3.36	

TC:Total Cooling Capacity (BTU/hr)

S/T:Sensible Cooling Capacity Ratio

PI:Power Input(kW)

30MUC-HH-SYS Expanded Heating @ 712 CFM

CFM	HEATING PERFORMANCE AT INDOOR DRY BULB TEMPERATURE										
	OD DB (°F)	TC: Total Heating Capacity(BTU/hr)					PI: Power Input(kW)				
		Indoor Conditions (DB °F)					Indoor Conditions (DB °F)				
		60.8°F	68°F	70°F	71.6°F	75.2°F	60.8°F	68°F	70°F	71.6°F	75.2°F
712	-22°F	10541	10330	10278	10566	10470	3.25	3.27	3.28	3.29	3.30
	-13°F	14032	13751	13683	13524	13402	3.52	3.55	3.55	3.56	3.58
	-4°F	18775	18400	18308	18096	17933	3.78	3.81	3.81	3.82	3.84
	0°F	20964	20545	20442	20205	20024	3.94	3.97	3.98	3.99	4.01
	5°F	23700	23226	23110	22842	22637	4.15	4.19	4.19	4.20	4.22
	14°F	24836	24340	24218	23938	23722	4.03	4.06	4.07	4.08	4.09
	17°F	25215	24711	24587	24303	24084	3.99	4.02	4.03	4.04	4.05
	22°F	26076	25554	25426	25132	24906	3.89	3.92	3.92	3.93	3.95
	27°F	26936	26397	26265	25962	25728	3.78	3.81	3.82	3.83	3.84
	32°F	27797	27241	27105	26791	26550	3.68	3.71	3.72	3.72	3.74
	35°F	28313	27747	27608	27289	27043	3.62	3.65	3.65	3.66	3.68
	37°F	28766	28191	28050	27725	27476	3.52	3.55	3.56	3.57	3.58
	42°F	29899	29301	29154	28817	28558	3.29	3.32	3.32	3.33	3.34
	44.6°F	30352	29745	29596	29254	28991	3.20	3.22	3.23	3.24	3.25
	47°F	31032	30411	30259	29909	29640	3.06	3.08	3.09	3.10	3.11
	52°F	28750	28175	28034	27710	27460	2.97	2.99	3.00	3.01	3.02
	57°F	26468	25939	25809	25510	25281	2.88	2.90	2.91	2.91	2.93
59°F	25556	25044	24919	24631	24409	2.84	2.87	2.87	2.88	2.89	
62°F	24186	23703	23584	23311	23102	2.79	2.81	2.82	2.82	2.83	
64.4°F	23274	22808	22694	22432	22230	2.75	2.78	2.78	2.79	2.80	

30MUC-HH-SYS Expanded Heating @ 806 CFM

CFM	HEATING PERFORMANCE AT INDOOR DRY BULB TEMPERATURE										
	OD DB (°F)	TC: Total Heating Capacity(BTU/hr)					PI: Power Input(kW)				
		Indoor Conditions (DB °F)					Indoor Conditions (DB °F)				
		60.8°F	68°F	70°F	71.6°F	75.2°F	60.8°F	68°F	70°F	71.6°F	75.2°F
806	-22°F	11535	11304	11248	11381	11278	3.28	3.31	3.31	3.32	3.33
	-13°F	15057	14756	14682	14568	14437	3.55	3.58	3.59	3.60	3.61
	-4°F	20147	19744	19646	19493	19317	3.81	3.84	3.85	3.86	3.88
	0°F	22496	22046	21936	21765	21569	3.98	4.01	4.02	4.03	4.05
	5°F	25432	24923	24799	24605	24384	4.19	4.23	4.24	4.24	4.26
	14°F	26651	26118	25987	25785	25553	4.07	4.10	4.11	4.12	4.14
	17°F	27058	26516	26384	26178	25943	4.03	4.06	4.07	4.08	4.09
	22°F	27981	27421	27284	27072	26828	3.92	3.96	3.96	3.97	3.99
	27°F	28904	28326	28185	27965	27713	3.82	3.85	3.86	3.87	3.88
	32°F	29828	29231	29085	28859	28599	3.72	3.75	3.75	3.76	3.78
	35°F	30382	29774	29625	29395	29130	3.65	3.68	3.69	3.70	3.71
	37°F	30868	30251	30100	29865	29596	3.56	3.59	3.60	3.60	3.62
	42°F	32084	31442	31285	31041	30762	3.32	3.35	3.36	3.37	3.38
	44.6°F	32570	31919	31759	31511	31228	3.23	3.26	3.26	3.27	3.28
	47°F	33299	32633	32470	32217	31927	3.09	3.12	3.12	3.13	3.14
	52°F	30851	30234	30083	29848	29579	3.00	3.02	3.03	3.04	3.05
	57°F	28402	27834	27695	27479	27232	2.91	2.93	2.94	2.94	2.96
59°F	27423	26874	26740	26532	26293	2.87	2.90	2.90	2.91	2.92	
62°F	25954	25435	25308	25110	24884	2.82	2.84	2.85	2.85	2.86	
64.4°F	24974	24475	24353	24163	23945	2.78	2.80	2.81	2.82	2.83	

30MUC-HH-SYS Expanded Heating @ 894 CFM

CFM	HEATING PERFORMANCE AT INDOOR DRY BULB TEMPERATURE										
	OD DB (°F)	TC: Total Heating Capacity(BTU/hr)					PI: Power Input(kW)				
		Indoor Conditions (DB °F)					Indoor Conditions (DB °F)				
		60.8°F	68°F	70°F	71.6°F	75.2°F	60.8°F	68°F	70°F	71.6°F	75.2°F
894	-22°F	12623	12370	12308	12259	12149	3.31	3.34	3.35	3.35	3.37
	-13°F	16158	15834	15755	15692	15551	3.59	3.62	3.63	3.63	3.65
	-4°F	21619	21187	21081	20997	20808	3.85	3.88	3.89	3.90	3.91
	0°F	24140	23657	23539	23445	23234	4.02	4.06	4.06	4.07	4.09
	5°F	27290	26744	26611	26504	26266	4.24	4.27	4.28	4.29	4.30
	14°F	28599	28027	27886	27775	27525	4.11	4.14	4.15	4.16	4.18
	17°F	29035	28454	28312	28198	27945	4.07	4.10	4.11	4.12	4.14
	22°F	30026	29425	29278	29161	28898	3.96	4.00	4.00	4.01	4.03
	27°F	31017	30396	30244	30123	29852	3.86	3.89	3.90	3.91	3.92
	32°F	32007	31367	31210	31086	30806	3.75	3.78	3.79	3.80	3.81
	35°F	32602	31950	31790	31663	31378	3.69	3.72	3.73	3.73	3.75
	37°F	33124	32461	32299	32170	31880	3.60	3.62	3.63	3.64	3.65
	42°F	34428	33740	33571	33437	33136	3.36	3.39	3.39	3.40	3.41
	44.6°F	34950	34251	34080	33943	33638	3.26	3.29	3.30	3.30	3.32
	47°F	35732	35018	34843	34703	34391	3.12	3.15	3.15	3.16	3.17
	52°F	33105	32443	32281	32152	31862	3.03	3.05	3.06	3.07	3.08
	57°F	30478	29868	29719	29600	29334	2.94	2.96	2.97	2.97	2.99
	59°F	29427	28838	28694	28579	28322	2.90	2.92	2.93	2.94	2.95
62°F	27850	27293	27157	27048	26805	2.85	2.87	2.87	2.88	2.89	
64.4°F	26799	26263	26132	26027	25793	2.81	2.83	2.84	2.84	2.85	

30MUC-HH-SYS Expanded Heating @ 988 CFM

CFM	HEATING PERFORMANCE AT INDOOR DRY BULB TEMPERATURE										
	OD DB (°F)	TC: Total Heating Capacity(BTU/hr)					PI: Power Input(kW)				
		Indoor Conditions (DB °F)					Indoor Conditions (DB °F)				
		60.8°F	68°F	70°F	71.6°F	75.2°F	60.8°F	68°F	70°F	71.6°F	75.2°F
988	-22°F	13545	13274	13208	13155	13037	3.35	3.37	3.38	3.39	3.40
	-13°F	17338	16991	16906	16839	16687	3.63	3.66	3.66	3.67	3.69
	-4°F	23199	22735	22622	22531	22328	3.89	3.92	3.93	3.94	3.95
	0°F	25904	25386	25259	25158	24931	4.06	4.10	4.10	4.11	4.13
	5°F	29284	28699	28555	28441	28185	4.28	4.31	4.32	4.33	4.35
	14°F	30688	30074	29924	29804	29536	4.15	4.19	4.19	4.20	4.22
	17°F	31156	30533	30380	30259	29987	4.11	4.14	4.15	4.16	4.18
	22°F	32220	31575	31417	31292	31010	4.00	4.04	4.04	4.05	4.07
	27°F	33283	32617	32454	32324	32033	3.90	3.93	3.94	3.94	3.96
	32°F	34346	33659	33491	33357	33057	3.79	3.82	3.83	3.84	3.85
	35°F	34984	34285	34113	33977	33671	3.73	3.76	3.77	3.77	3.79
	37°F	35544	34833	34659	34520	34210	3.63	3.66	3.67	3.68	3.69
	42°F	36944	36205	36024	35880	35557	3.39	3.42	3.43	3.43	3.45
	44.6°F	37504	36754	36570	36424	36096	3.30	3.32	3.33	3.34	3.35
	47°F	38343	37577	37389	37239	36904	3.15	3.18	3.19	3.19	3.20
	52°F	35524	34814	34640	34501	34190	3.06	3.09	3.09	3.10	3.11
	57°F	32705	32051	31890	31763	31477	2.97	2.99	3.00	3.00	3.02
59°F	31577	30945	30791	30668	30392	2.93	2.95	2.96	2.97	2.98	
62°F	29885	29288	29141	29025	28763	2.87	2.90	2.90	2.91	2.92	
64.4°F	28758	28182	28042	27929	27678	2.84	2.86	2.87	2.87	2.88	

36MUC-HH-SYS Expanded Cooling @ 865 CFM

CFM	ODDB	ID WB(°F)	60.8°F					67.0°F					71.6°F				
		ID DB(°F)	73.4°F	77.0°F	80.0°F	80.6°F	84.2°F	73.4°F	77.0°F	80.0°F	80.6°F	84.2°F	73.4°F	77.0°F	80.0°F	80.6°F	84.2°F
865	50°F	TC	31975	32018	32053	32054	32098	35928	35975	36015	36021	36062	38093	38134	38176	38181	38229
		S/T	0.41	0.48	0.55	0.55	0.63	0.46	0.54	0.62	0.62	0.70	0.49	0.57	0.65	0.65	0.74
		PI	1.65	1.65	1.65	1.65	1.65	1.85	1.85	1.86	1.86	1.86	1.96	1.96	1.97	1.97	1.97
	59°F	TC	32687	32731	32766	32768	32812	36728	36775	36816	36823	36864	38940	38983	39025	39031	39080
		S/T	0.41	0.49	0.55	0.55	0.63	0.46	0.55	0.62	0.62	0.71	0.49	0.58	0.66	0.66	0.75
		PI	1.80	1.80	1.81	1.81	1.81	2.02	2.03	2.03	2.03	2.03	2.15	2.15	2.15	2.15	2.15
	68°F	TC	33399	33444	33480	33481	33526	37527	37576	37618	37625	37667	39788	39832	39875	39881	39931
		S/T	0.42	0.50	0.57	0.57	0.65	0.48	0.56	0.64	0.64	0.72	0.51	0.59	0.67	0.67	0.77
		PI	1.95	1.96	1.96	1.96	1.96	2.20	2.20	2.20	2.20	2.20	2.33	2.33	2.33	2.33	2.34
	77°F	TC	34111	34156	34193	34195	34241	38327	38377	38420	38427	38470	40636	40680	40725	40731	40782
		S/T	0.43	0.50	0.57	0.57	0.65	0.48	0.57	0.64	0.64	0.73	0.51	0.60	0.68	0.68	0.78
		PI	2.11	2.11	2.11	2.11	2.12	2.37	2.37	2.37	2.38	2.38	2.51	2.51	2.52	2.52	2.52
	80°F	TC	34353	34399	34436	34437	34484	38599	38649	38692	38699	38742	40925	40969	41014	41020	41071
		S/T	0.44	0.51	0.58	0.58	0.66	0.49	0.57	0.65	0.65	0.74	0.52	0.61	0.69	0.69	0.79
		PI	2.16	2.16	2.17	2.17	2.17	2.43	2.43	2.43	2.43	2.44	2.57	2.58	2.58	2.58	2.58
	86°F	TC	33337	33382	33418	33419	33464	37458	37506	37548	37555	37597	39715	39758	39801	39807	39857
		S/T	0.44	0.52	0.59	0.59	0.67	0.50	0.58	0.66	0.66	0.75	0.53	0.62	0.70	0.70	0.80
		PI	2.69	2.69	2.69	2.69	2.70	3.02	3.02	3.03	3.03	3.03	3.20	3.20	3.21	3.21	3.21
	95°F	TC	31798	31841	31875	31877	31920	35729	35775	35815	35822	35862	37882	37923	37964	37970	38017
		S/T	0.44	0.52	0.59	0.59	0.67	0.50	0.58	0.66	0.66	0.75	0.53	0.62	0.70	0.70	0.80
		PI	3.48	3.49	3.49	3.49	3.50	3.91	3.92	3.92	3.92	3.93	4.15	4.15	4.16	4.16	4.16
	104°F	TC	27451	27488	27517	27519	27556	30844	30884	30918	30924	30959	32702	32738	32774	32779	32820
		S/T	0.45	0.53	0.60	0.60	0.69	0.51	0.60	0.68	0.68	0.77	0.54	0.63	0.72	0.72	0.82
		PI	3.59	3.59	3.59	3.59	3.60	4.03	4.03	4.04	4.04	4.04	4.27	4.28	4.28	4.28	4.29
110°F	TC	24842	24876	24903	24904	24937	27913	27949	27981	27986	28017	29595	29627	29659	29664	29701	
	S/T	0.47	0.55	0.62	0.62	0.71	0.53	0.62	0.70	0.70	0.80	0.56	0.65	0.74	0.74	0.85	
	PI	3.65	3.65	3.66	3.66	3.66	4.10	4.10	4.11	4.11	4.11	4.34	4.35	4.35	4.35	4.36	
115°F	TC	21458	21487	21510	21511	21540	24111	24142	24169	24173	24200	25563	25591	25619	25623	25655	
	S/T	0.47	0.56	0.63	0.63	0.72	0.53	0.63	0.71	0.71	0.81	0.56	0.66	0.75	0.75	0.86	
	PI	3.32	3.33	3.33	3.33	3.34	3.73	3.74	3.74	3.74	3.75	3.96	3.96	3.97	3.97	3.97	
122°F	TC	16946	16969	16987	16988	17011	19041	19065	19087	19090	19111	20188	20210	20232	20235	20260	
	S/T	0.49	0.57	0.65	0.65	0.74	0.55	0.64	0.73	0.73	0.83	0.58	0.68	0.77	0.77	0.88	
	PI	2.89	2.89	2.90	2.90	2.90	3.25	3.25	3.26	3.26	3.26	3.44	3.45	3.45	3.45	3.46	

TC:Total Cooling Capacity (BTU/hr)

S/T:Sensible Cooling Capacity Ratio

PI:Power Input(kW)

36MUC-HH-SYS Expanded Cooling @ 971 CFM

CFM	ODDB	ID WB(°F)	60.8°F					67.0°F					71.6°F				
			ID DB(°F)	73.4°F	77.0°F	80.0°F	80.6°F	84.2°F	73.4°F	77.0°F	80.0°F	80.6°F	84.2°F	73.4°F	77.0°F	80.0°F	80.6°F
971	50°F	TC	34081	34127	34164	34165	34211	38294	38343	38386	38393	38436	40601	40645	40689	40696	40746
		S/T	0.44	0.51	0.58	0.58	0.67	0.49	0.58	0.66	0.66	0.75	0.52	0.61	0.70	0.70	0.79
		PI	1.76	1.76	1.76	1.76	1.76	1.97	1.98	1.98	1.98	1.98	2.09	2.09	2.10	2.10	2.10
	59°F	TC	34840	34886	34924	34926	34973	39146	39197	39241	39248	39292	41505	41550	41595	41602	41653
		S/T	0.44	0.52	0.59	0.59	0.67	0.50	0.58	0.66	0.66	0.75	0.52	0.62	0.70	0.70	0.80
		PI	1.92	1.92	1.92	1.92	1.93	2.16	2.16	2.16	2.16	2.17	2.29	2.29	2.29	2.29	2.30
	68°F	TC	35598	35646	35684	35686	35734	39998	40050	40095	40103	40147	42408	42455	42501	42507	42560
		S/T	0.45	0.53	0.60	0.60	0.69	0.51	0.60	0.68	0.68	0.77	0.54	0.63	0.72	0.72	0.82
		PI	2.08	2.09	2.09	2.09	2.09	2.34	2.34	2.35	2.35	2.35	2.48	2.48	2.49	2.49	2.49
	77°F	TC	36357	36406	36445	36447	36496	40851	40904	40949	40957	41003	43312	43359	43406	43413	43467
		S/T	0.46	0.54	0.61	0.61	0.70	0.51	0.60	0.69	0.69	0.78	0.55	0.64	0.73	0.73	0.83
		PI	2.25	2.25	2.25	2.25	2.26	2.53	2.53	2.53	2.53	2.53	2.68	2.68	2.68	2.68	2.69
	80°F	TC	36615	36664	36703	36705	36755	41141	41194	41240	41248	41294	43619	43667	43714	43721	43776
		S/T	0.46	0.54	0.62	0.62	0.71	0.52	0.61	0.70	0.70	0.79	0.55	0.65	0.74	0.74	0.84
		PI	2.30	2.31	2.31	2.31	2.31	2.59	2.59	2.59	2.59	2.60	2.74	2.75	2.75	2.75	2.75
	86°F	TC	35532	35580	35618	35620	35668	39924	39976	40021	40028	40073	42330	42376	42422	42429	42481
		S/T	0.47	0.55	0.63	0.63	0.71	0.53	0.62	0.70	0.70	0.80	0.56	0.66	0.75	0.75	0.85
		PI	2.86	2.87	2.87	2.87	2.87	3.22	3.22	3.23	3.23	3.23	3.41	3.42	3.42	3.42	3.42
	95°F	TC	33892	33938	33974	33976	34022	38082	38131	38173	38181	38223	40376	40420	40464	40470	40521
		S/T	0.47	0.55	0.63	0.63	0.71	0.53	0.62	0.70	0.70	0.80	0.56	0.66	0.75	0.75	0.85
		PI	3.71	3.72	3.72	3.72	3.73	4.17	4.18	4.18	4.18	4.19	4.42	4.43	4.43	4.43	4.44
	104°F	TC	29258	29298	29329	29331	29370	32875	32918	32954	32961	32997	34856	34894	34932	34937	34981
		S/T	0.48	0.57	0.64	0.64	0.73	0.54	0.64	0.72	0.72	0.82	0.57	0.67	0.77	0.77	0.87
		PI	3.82	3.83	3.83	3.83	3.84	4.29	4.30	4.30	4.31	4.31	4.55	4.56	4.56	4.56	4.57
	110°F	TC	26478	26514	26542	26544	26579	29751	29790	29823	29829	29862	31544	31578	31612	31617	31657
		S/T	0.50	0.59	0.67	0.67	0.76	0.56	0.66	0.75	0.75	0.85	0.59	0.70	0.79	0.79	0.90
		PI	3.89	3.89	3.90	3.90	3.90	4.37	4.37	4.38	4.38	4.38	4.63	4.64	4.64	4.64	4.65
115°F	TC	22871	22902	22927	22928	22959	25698	25732	25760	25765	25794	27247	27276	27306	27310	27344	
	S/T	0.51	0.59	0.67	0.67	0.77	0.57	0.67	0.76	0.76	0.86	0.60	0.71	0.80	0.80	0.91	
	PI	3.54	3.55	3.55	3.55	3.56	3.98	3.98	3.99	3.99	3.99	4.22	4.22	4.23	4.23	4.23	
122°F	TC	18062	18086	18106	18106	18131	20294	20321	20343	20347	20370	21517	21541	21564	21567	21594	
	S/T	0.52	0.61	0.69	0.69	0.79	0.58	0.68	0.77	0.77	0.88	0.62	0.72	0.82	0.82	0.94	
	PI	3.08	3.09	3.09	3.09	3.09	3.46	3.47	3.47	3.47	3.48	3.67	3.67	3.68	3.68	3.68	

TC:Total Cooling Capacity (BTU/hr)

S/T:Sensible Cooling Capacity Ratio

PI:Power Input(kW)

36MUC-HH-SYS Expanded Cooling @ 1,082 CFM

CFM	ODDB	ID WB(°F)	60.8°F					67.0°F					71.6°F				
			ID DB(°F)	73.4°F	77.0°F	80.0°F	80.6°F	84.2°F	73.4°F	77.0°F	80.0°F	80.6°F	84.2°F	73.4°F	77.0°F	80.0°F	80.6°F
1082	50°F	TC	36325	36374	36413	36415	36464	40815	40868	40914	40922	40967	43275	43322	43369	43376	43430
		S/T	0.47	0.55	0.62	0.62	0.71	0.53	0.62	0.70	0.70	0.80	0.56	0.65	0.74	0.74	0.85
		PI	1.87	1.87	1.88	1.88	1.88	2.10	2.11	2.11	2.11	2.11	2.23	2.23	2.23	2.23	2.24
	59°F	TC	37134	37184	37224	37225	37276	41724	41778	41825	41832	41879	44238	44286	44334	44341	44396
		S/T	0.47	0.55	0.63	0.63	0.71	0.53	0.62	0.70	0.70	0.80	0.56	0.66	0.75	0.75	0.85
		PI	2.05	2.05	2.05	2.05	2.05	2.30	2.30	2.30	2.31	2.31	2.44	2.44	2.44	2.44	2.45
	68°F	TC	37942	37993	38034	38036	38087	42632	42688	42735	42743	42791	45201	45250	45299	45307	45363
		S/T	0.48	0.57	0.64	0.64	0.73	0.54	0.64	0.72	0.72	0.82	0.57	0.67	0.77	0.77	0.87
		PI	2.22	2.22	2.23	2.23	2.23	2.50	2.50	2.50	2.50	2.50	2.65	2.65	2.65	2.65	2.66
	77°F	TC	38751	38803	38845	38847	38899	43541	43597	43646	43654	43703	46164	46214	46265	46272	46330
		S/T	0.49	0.57	0.65	0.65	0.74	0.55	0.64	0.73	0.73	0.83	0.58	0.68	0.78	0.78	0.88
		PI	2.40	2.40	2.40	2.40	2.40	2.69	2.70	2.70	2.70	2.70	2.85	2.86	2.86	2.86	2.86
	80°F	TC	39026	39078	39120	39122	39175	43850	43907	43956	43964	44013	46492	46542	46593	46600	46658
		S/T	0.49	0.58	0.66	0.66	0.75	0.56	0.65	0.74	0.74	0.84	0.59	0.69	0.79	0.79	0.90
		PI	2.45	2.46	2.46	2.46	2.46	2.76	2.76	2.76	2.77	2.77	2.92	2.93	2.93	2.93	2.93
	86°F	TC	37872	37923	37964	37966	38017	42553	42609	42656	42664	42712	45117	45166	45216	45223	45279
		S/T	0.50	0.59	0.67	0.67	0.76	0.56	0.66	0.75	0.75	0.86	0.60	0.70	0.80	0.80	0.91
		PI	3.05	3.06	3.06	3.06	3.06	3.43	3.43	3.44	3.44	3.44	3.64	3.64	3.64	3.64	3.65
	95°F	TC	36124	36173	36212	36213	36262	40589	40642	40687	40695	40740	43035	43082	43128	43135	43189
		S/T	0.50	0.59	0.67	0.67	0.76	0.56	0.66	0.75	0.75	0.86	0.60	0.70	0.80	0.80	0.91
		PI	3.96	3.96	3.97	3.97	3.97	4.45	4.45	4.46	4.46	4.46	4.71	4.72	4.72	4.73	4.73
	104°F	TC	31185	31227	31261	31262	31304	35040	35085	35125	35131	35170	37151	37192	37232	37238	37284
		S/T	0.51	0.60	0.68	0.68	0.78	0.58	0.68	0.77	0.77	0.88	0.61	0.72	0.82	0.82	0.93
		PI	4.07	4.08	4.08	4.08	4.09	4.58	4.58	4.59	4.59	4.59	4.85	4.86	4.86	4.86	4.87
	110°F	TC	28222	28260	28290	28292	28330	31710	31752	31787	31793	31828	33621	33658	33694	33699	33741
		S/T	0.53	0.62	0.71	0.71	0.81	0.60	0.70	0.80	0.80	0.91	0.63	0.74	0.85	0.85	0.96
		PI	4.14	4.15	4.15	4.15	4.16	4.66	4.66	4.67	4.67	4.67	4.94	4.94	4.95	4.95	4.95
115°F	TC	24377	24410	24436	24437	24470	27391	27426	27457	27462	27492	29041	29072	29104	29109	29145	
	S/T	0.54	0.63	0.72	0.72	0.82	0.61	0.71	0.81	0.81	0.92	0.64	0.75	0.86	0.86	0.98	
	PI	3.78	3.78	3.78	3.78	3.79	4.24	4.25	4.25	4.25	4.26	4.50	4.50	4.51	4.51	4.51	
122°F	TC	19251	19277	19298	19299	19325	21631	21659	21683	21687	21711	22934	22959	22984	22988	23016	
	S/T	0.55	0.65	0.73	0.73	0.84	0.62	0.73	0.83	0.83	0.94	0.66	0.77	0.88	0.88	1.00	
	PI	3.28	3.29	3.29	3.29	3.30	3.69	3.70	3.70	3.70	3.70	3.91	3.92	3.92	3.92	3.93	

TC:Total Cooling Capacity (BTU/hr)

S/T:Sensible Cooling Capacity Ratio

PI:Power Input(kW)

36MUC-HH-SYS Expanded Cooling @ 1,188 CFM

CFM	ODDB	ID WB(°F)	60.8°F					67.0°F					71.6°F				
		ID DB(°F)	73.4°F	77.0°F	80.0°F	80.6°F	84.2°F	73.4°F	77.0°F	80.0°F	80.6°F	84.2°F	73.4°F	77.0°F	80.0°F	80.6°F	84.2°F
1188	50°F	TC	38717	38769	38811	38813	38865	43503	43560	43608	43616	43665	46124	46174	46225	46232	46289
		S/T	0.50	0.58	0.66	0.66	0.76	0.56	0.66	0.75	0.75	0.85	0.59	0.70	0.79	0.79	0.90
		PI	1.99	2.00	2.00	2.00	2.00	2.24	2.24	2.25	2.25	2.25	2.38	2.38	2.38	2.38	2.39
	59°F	TC	39579	39632	39675	39677	39730	44471	44529	44579	44587	44637	47151	47202	47254	47261	47320
		S/T	0.50	0.59	0.67	0.67	0.76	0.56	0.66	0.75	0.75	0.86	0.60	0.70	0.80	0.80	0.91
		PI	2.18	2.18	2.19	2.19	2.19	2.45	2.45	2.46	2.46	2.46	2.60	2.60	2.60	2.60	2.61
	68°F	TC	40441	40495	40539	40541	40595	45440	45499	45549	45558	45609	48178	48230	48282	48290	48350
		S/T	0.51	0.60	0.69	0.69	0.78	0.58	0.68	0.77	0.77	0.88	0.61	0.72	0.82	0.82	0.93
		PI	2.37	2.37	2.37	2.37	2.38	2.66	2.66	2.67	2.67	2.67	2.82	2.82	2.83	2.83	2.83
	77°F	TC	41303	41358	41403	41405	41460	46408	46468	46520	46529	46581	49204	49258	49311	49319	49380
		S/T	0.52	0.61	0.69	0.69	0.79	0.59	0.69	0.78	0.78	0.89	0.62	0.73	0.83	0.83	0.94
		PI	2.55	2.56	2.56	2.56	2.56	2.87	2.87	2.88	2.88	2.88	3.04	3.04	3.05	3.05	3.05
	80°F	TC	41596	41652	41696	41698	41755	46737	46798	46850	46859	46911	49553	49607	49661	49669	49731
		S/T	0.53	0.62	0.70	0.70	0.80	0.59	0.70	0.79	0.79	0.90	0.63	0.74	0.84	0.84	0.95
		PI	2.62	2.62	2.62	2.62	2.63	2.94	2.94	2.95	2.95	2.95	3.12	3.12	3.12	3.12	3.13
	86°F	TC	40366	40420	40464	40466	40520	45356	45414	45465	45474	45524	48088	48141	48193	48201	48261
		S/T	0.53	0.63	0.71	0.71	0.81	0.60	0.70	0.80	0.80	0.91	0.64	0.75	0.85	0.85	0.97
		PI	3.25	3.26	3.26	3.26	3.27	3.66	3.66	3.66	3.66	3.67	3.88	3.88	3.88	3.88	3.89
	95°F	TC	38503	38555	38596	38598	38650	43262	43318	43367	43375	43423	45869	45919	45969	45976	46033
		S/T	0.53	0.63	0.71	0.71	0.81	0.60	0.70	0.80	0.80	0.91	0.64	0.75	0.85	0.85	0.97
		PI	4.22	4.22	4.23	4.23	4.23	4.74	4.75	4.75	4.75	4.76	5.03	5.03	5.04	5.04	5.04
	104°F	TC	33239	33283	33319	33321	33366	37347	37396	37438	37444	37486	39598	39641	39684	39690	39739
		S/T	0.55	0.64	0.73	0.73	0.83	0.62	0.72	0.82	0.82	0.93	0.65	0.76	0.87	0.87	0.99
		PI	4.34	4.35	4.35	4.35	4.36	4.88	4.88	4.89	4.89	4.90	5.17	5.18	5.18	5.18	5.19
	110°F	TC	30080	30121	30153	30155	30195	33799	33842	33880	33886	33924	35835	35874	35913	35919	35963
		S/T	0.57	0.67	0.76	0.76	0.86	0.64	0.75	0.85	0.85	0.97	0.68	0.79	0.90	0.90	1.00
		PI	4.42	4.42	4.43	4.43	4.43	4.96	4.97	4.97	4.97	4.98	5.26	5.27	5.27	5.27	5.28
115°F	TC	25983	26017	26046	26047	26082	29194	29232	29265	29270	29303	30953	30987	31021	31025	31064	
	S/T	0.57	0.67	0.77	0.77	0.87	0.65	0.76	0.86	0.86	0.98	0.68	0.80	0.91	0.91	1.00	
	PI	4.02	4.03	4.03	4.03	4.04	4.52	4.53	4.53	4.53	4.54	4.79	4.80	4.80	4.80	4.81	
122°F	TC	20519	20546	20569	20569	20597	23055	23085	23111	23115	23141	24444	24471	24497	24501	24532	
	S/T	0.59	0.69	0.78	0.78	0.89	0.66	0.77	0.88	0.88	1.00	0.70	0.82	0.93	0.93	1.00	
	PI	3.50	3.51	3.51	3.51	3.51	3.93	3.94	3.94	3.94	3.95	4.17	4.17	4.18	4.18	4.19	

TC:Total Cooling Capacity (BTU/hr)

S/T:Sensible Cooling Capacity Ratio

PI:Power Input(kW)

36MUC-HH-SYS Expanded Heating @ 865 CFM

CFM	HEATING PERFORMANCE AT INDOOR DRY BULB TEMPERATURE										
	OD DB (°F)	TC: Total Heating Capacity(BTU/hr)					PI: Power Input(kW)				
		Indoor Conditions (DB °F)					Indoor Conditions (DB °F)				
		60.8°F	68°F	70°F	71.6°F	75.2°F	60.8°F	68°F	70°F	71.6°F	75.2°F
865	-22°F	17759	17403	17316	17384	17227	4.71	4.74	4.75	4.76	4.78
	-13°F	20789	20374	20272	19568	19392	5.10	5.14	5.15	5.16	5.18
	-4°F	24844	24347	24225	23384	23174	5.00	5.05	5.06	5.07	5.09
	0°F	26760	26225	26094	25188	24961	5.08	5.12	5.13	5.14	5.16
	5°F	29155	28572	28429	27443	27196	5.17	5.21	5.22	5.23	5.25
	14°F	33310	32644	32481	31353	31071	5.37	5.41	5.42	5.43	5.45
	17°F	34695	34001	33831	32657	32363	5.43	5.48	5.49	5.50	5.52
	22°F	36908	36169	35989	34739	34427	5.57	5.62	5.63	5.64	5.66
	27°F	39120	38337	38146	36822	36490	5.71	5.76	5.77	5.78	5.81
	32°F	41332	40505	40303	38904	38554	5.85	5.90	5.91	5.92	5.95
	35°F	42660	41806	41597	40154	39792	5.94	5.98	6.00	6.01	6.03
	37°F	42311	41465	41257	39825	39467	5.69	5.73	5.74	5.76	5.78
	42°F	41439	40610	40407	39005	38654	5.06	5.10	5.11	5.12	5.15
	44.6°F	41090	40269	40067	38677	38328	4.81	4.85	4.86	4.87	4.89
	47°F	40567	39756	39557	38184	37841	4.44	4.48	4.48	4.49	4.51
	52°F	37584	36833	36649	35377	35058	4.31	4.34	4.35	4.36	4.38
	57°F	34602	33909	33740	32569	32276	4.18	4.21	4.22	4.23	4.25
59°F	33408	32740	32576	31446	31163	4.13	4.16	4.17	4.18	4.19	
62°F	31619	30986	30831	29761	29493	4.05	4.08	4.09	4.10	4.11	
64.4°F	30425	29817	29668	28638	28380	4.00	4.03	4.04	4.04	4.06	

36MUC-HH-SYS Expanded Heating @ 971 CFM

CFM	HEATING PERFORMANCE AT INDOOR DRY BULB TEMPERATURE										
	OD DB (°F)	TC: Total Heating Capacity(BTU/hr)					PI: Power Input(kW)				
		Indoor Conditions (DB °F)					Indoor Conditions (DB °F)				
		60.8°F	68°F	70°F	71.6°F	75.2°F	60.8°F	68°F	70°F	71.6°F	75.2°F
971	-22°F	19303	18917	18822	18821	18652	4.75	4.79	4.80	4.81	4.83
	-13°F	22158	21715	21607	21186	20995	5.15	5.19	5.21	5.22	5.24
	-4°F	26480	25950	25820	25318	25090	5.06	5.10	5.11	5.12	5.14
	0°F	28522	27952	27812	27270	27025	5.13	5.17	5.18	5.19	5.21
	5°F	31075	30454	30302	29711	29444	5.22	5.26	5.27	5.28	5.30
	14°F	35504	34794	34620	33946	33640	5.42	5.46	5.48	5.49	5.51
	17°F	36980	36240	36059	35357	35039	5.49	5.53	5.54	5.55	5.58
	22°F	39338	38551	38358	37611	37273	5.63	5.67	5.69	5.70	5.72
	27°F	41696	40862	40658	39866	39507	5.77	5.82	5.83	5.84	5.86
	32°F	44054	43173	42957	42120	41741	5.91	5.96	5.97	5.98	6.01
	35°F	45469	44559	44337	43473	43082	6.00	6.04	6.06	6.07	6.09
	37°F	45097	44195	43974	43118	42730	5.74	5.79	5.80	5.81	5.84
	42°F	44168	43284	43068	42229	41849	5.11	5.16	5.17	5.18	5.20
	44.6°F	43796	42920	42706	41874	41497	4.86	4.90	4.91	4.92	4.94
	47°F	43239	42374	42162	41341	40969	4.48	4.52	4.53	4.54	4.56
	52°F	40059	39258	39062	38301	37956	4.35	4.39	4.40	4.41	4.42
	57°F	36880	36142	35962	35261	34944	4.22	4.26	4.26	4.27	4.29
59°F	35608	34896	34722	34046	33739	4.17	4.20	4.21	4.22	4.24	
62°F	33701	33027	32862	32222	31932	4.09	4.12	4.13	4.14	4.16	
64.4°F	32429	31780	31622	31006	30727	4.04	4.07	4.08	4.09	4.10	

36MUC-HH-SYS Expanded Heating @ 1,082 CFM

CFM	HEATING PERFORMANCE AT INDOOR DRY BULB TEMPERATURE										
	OD DB (°F)	TC: Total Heating Capacity(BTU/hr)					PI: Power Input(kW)				
		Indoor Conditions (DB °F)					Indoor Conditions (DB °F)				
		60.8°F	68°F	70°F	71.6°F	75.2°F	60.8°F	68°F	70°F	71.6°F	75.2°F
1082	-22°F	20981	20562	20459	20377	20194	4.80	4.84	4.85	4.86	4.88
	-13°F	23618	23145	23029	22937	22731	5.21	5.25	5.26	5.27	5.29
	-4°F	28223	27659	27521	27411	27164	5.11	5.15	5.16	5.17	5.19
	0°F	30400	29792	29643	29525	29259	5.18	5.22	5.23	5.24	5.26
	5°F	33122	32459	32297	32168	31878	5.27	5.31	5.32	5.33	5.36
	14°F	37842	37085	36899	36752	36421	5.48	5.52	5.53	5.54	5.56
	17°F	39415	38627	38434	38280	37935	5.54	5.59	5.60	5.61	5.63
	22°F	41928	41090	40884	40721	40354	5.69	5.73	5.74	5.76	5.78
	27°F	44442	43553	43335	43162	42773	5.83	5.88	5.89	5.90	5.92
	32°F	46955	46016	45786	45603	45192	5.97	6.02	6.03	6.04	6.07
	35°F	48463	47494	47256	47067	46643	6.06	6.11	6.12	6.13	6.16
	37°F	48067	47105	46870	46682	46262	5.80	5.85	5.86	5.87	5.90
	42°F	47076	46135	45904	45721	45309	5.17	5.21	5.22	5.23	5.25
	44.6°F	46680	45747	45518	45336	44928	4.91	4.95	4.96	4.97	4.99
	47°F	46086	45164	44938	44759	44356	4.53	4.57	4.58	4.58	4.60
	52°F	42697	41843	41634	41468	41094	4.40	4.43	4.44	4.45	4.47
	57°F	39309	38522	38330	38177	37833	4.26	4.30	4.31	4.32	4.33
	59°F	37953	37194	37008	36860	36528	4.21	4.24	4.25	4.26	4.28
62°F	35920	35202	35026	34885	34571	4.13	4.16	4.17	4.18	4.20	
64.4°F	34564	33873	33704	33569	33267	4.08	4.11	4.12	4.13	4.14	

36MUC-HH-SYS Expanded Heating @ 1,188 CFM

CFM	HEATING PERFORMANCE AT INDOOR DRY BULB TEMPERATURE										
	OD DB (°F)	TC: Total Heating Capacity(BTU/hr)					PI: Power Input(kW)				
		Indoor Conditions (DB °F)					Indoor Conditions (DB °F)				
		60.8°F	68°F	70°F	71.6°F	75.2°F	60.8°F	68°F	70°F	71.6°F	75.2°F
1188	-22°F	22363	21916	21806	21719	21523	4.85	4.89	4.90	4.91	4.93
	-13°F	25173	24669	24546	24448	24228	5.26	5.30	5.31	5.32	5.34
	-4°F	30082	29480	29333	29216	28953	5.16	5.20	5.21	5.22	5.24
	0°F	32402	31754	31595	31469	31186	5.23	5.27	5.28	5.29	5.32
	5°F	35303	34597	34424	34286	33977	5.32	5.37	5.38	5.39	5.41
	14°F	40334	39527	39329	39172	38819	5.53	5.58	5.59	5.60	5.62
	17°F	42011	41170	40964	40801	40433	5.60	5.64	5.66	5.67	5.69
	22°F	44689	43796	43577	43402	43012	5.74	5.79	5.80	5.81	5.84
	27°F	47368	46421	46189	46004	45590	5.89	5.94	5.95	5.96	5.98
	32°F	50047	49046	48801	48605	48168	6.03	6.08	6.09	6.10	6.13
	35°F	51654	50621	50368	50166	49715	6.12	6.17	6.18	6.19	6.22
	37°F	51232	50207	49956	49756	49309	5.86	5.91	5.92	5.93	5.96
	42°F	50176	49173	48927	48731	48293	5.22	5.26	5.27	5.28	5.30
	44.6°F	49754	48759	48515	48321	47886	4.96	5.00	5.01	5.02	5.04
	47°F	49121	48138	47898	47706	47277	4.58	4.61	4.62	4.63	4.65
	52°F	45509	44599	44376	44198	43800	4.44	4.48	4.49	4.50	4.51
	57°F	41897	41059	40854	40690	40324	4.31	4.34	4.35	4.36	4.38
	59°F	40452	39643	39445	39287	38934	4.25	4.29	4.30	4.30	4.32
62°F	38285	37520	37332	37183	36848	4.17	4.21	4.21	4.22	4.24	
64.4°F	36841	36104	35923	35780	35458	4.12	4.15	4.16	4.17	4.18	

TC:Total Cooling Capacity (BTU/hr)

S/T:Sensible Cooling Capacity Ratio

PI:Power Input(kW)

Control Options

Part Number	Description
MMT4522-001	24V 2H/1C Programmable Thermostat with Occupancy Sensor Input and Standard Display.
MMT8532-002	24V 2H/1C Programmable Thermostat with Occupancy Sensor Input and Deluxe Display.
MMT8532OCC-1	24V 2H/1C Programmable Thermostat with Built-In Occupancy Sensor and Deluxe Display.
MMW-1	24V 2H/1C Non-Programmable Wireless Thermostat.
SWC120LR	Standard wired wall controller with operation mode control, timer and fan speed functions.
WIFI-DWC120X2	Deluxe wired wall controller with WFI and app, with programmable weekly timer, auto-restart, child lock, Turbo function, follow me function and more. The WIFI-DWC120X2 also functions as a receiver for the MWRC remote controller.
MWRC	Wireless infrared remote controller with timer, sleep function, follow me and turbo function. Internal functions, such as setting airflow, can be made with this remote controller, as well.

The MUC System includes a factory installed 24V control board, in the outdoor heat pump, and can be used with most standard 24V thermostats. Either a 24V heat pump thermostat, wired wall controller or wireless remote controller can be used with the MUC System.



MMT4522-001



MMT8532-002



MMW-1



SWC120LR



WIFI-DWC120X2



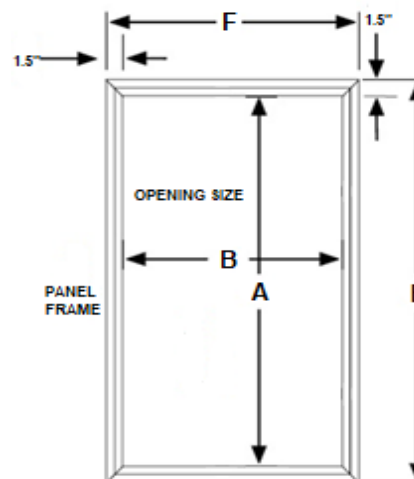
MWRC2

Panels and Bracket

Panel Model Number	Air Handler Model	Style	Inside Frame		Outside Frame	
			A	B	E	F
963-LA	18MUC0 24MUC0	Louvered	37	21	40	24
963-S	18MUC0 24MUC0	Solid	37	21	40	24
964-LA	30MUC0 36MUC0	Louvered	40	22.5	43	25.5
964-S	30MUC0 36MUC0	Solid	40	22.5	43	25.5
MUC-CAP1	18MUC0 24MUC0	Solid	Front Return Air Cover			
MUC-CAP2	30MUC0 36MUC0	Solid	Front Return Air Cover			
MUC-BRACKET	All MUC Units	Hanging Bracket for Wall Mount Applications				



963-LA (louvered)



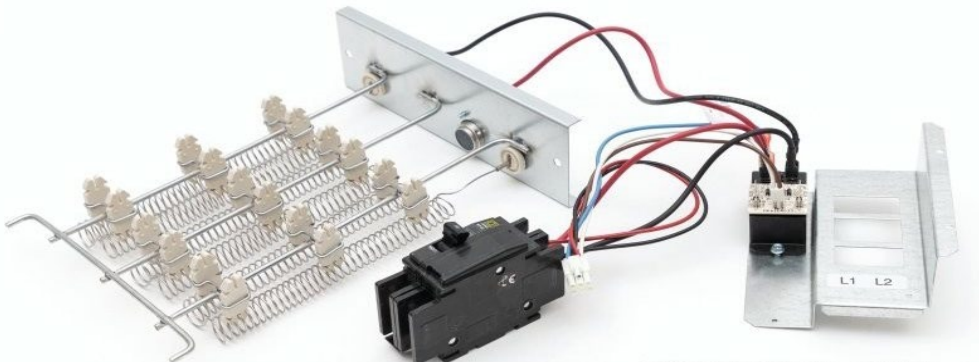
Field Install Auxiliary Electric Heaters

Part Number	Air Handler Model	Heater Size kW
EAH-03C(UL)	18MUC	3
EAH-05C(UL)		5
EAH-08C(UL)		8
EAH-10C(UL)		10
EAH-03C(UL)	24MUC	3
EAH-05C(UL)		5
EAH-08C(UL)		8
EAH-10C(UL)		10
EAH-03C(UL)	30MUC	3
EAH-05C(UL)		5
EAH-08C(UL)		8
EAH-10C(UL)		10
EAH-03C(UL)	36MUC	3
EAH-05C(UL)		5
EAH-08C(UL)		8
EAH-10C(UL)		10

Auxiliary Electric Heater Kits are designed to be field installed in MUC series air handlers without factory installed electric strip heat.

Part Number	Qty Circuit Breakers	Qty Relays	Qty Power Cord Groups	Qty Power Cord Grounding Screws
EAH-03C(UL)	1	1	2	2
EAH-05C(UL)	1	1	2	2
EAH-08C(UL)	1	2	2	2
EAH-10C(UL)	1	2	2	2

Electric Heater Kits include Manual, 1 ea. Sealing Foam, 7 ea. Screws, 1 ea. Rubber Cap, Wiring Diagram and Air Switch Label.







2480 Grand Avenue

Vista, CA 92081

Phone (760) 670-3005

Fax (760) 670-3307

www.multimfg-usa.com