

Product Dimensions and Specifications

Standard Features

Design

Interior panel braces.
Integrated clips in frame.
Engineered Low Pressure Drop louver design.

Materials

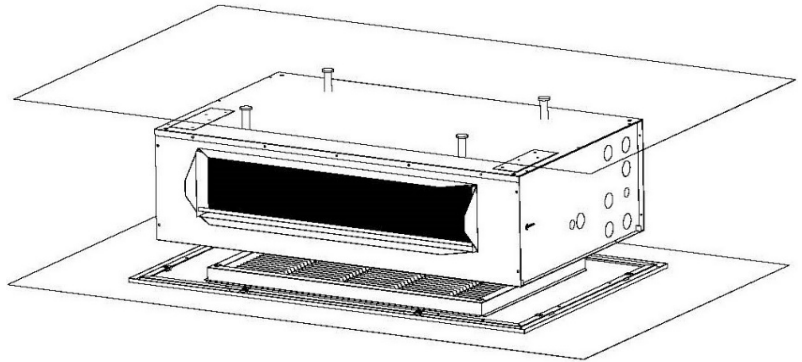
Heavy gauge galvanized steel construction with off-white powder paint finish.
Stainless steel screws with retainers.

Packaging

Individually wrapped and boxed.

Warranty

Standard Limited Five Year parts warranty.

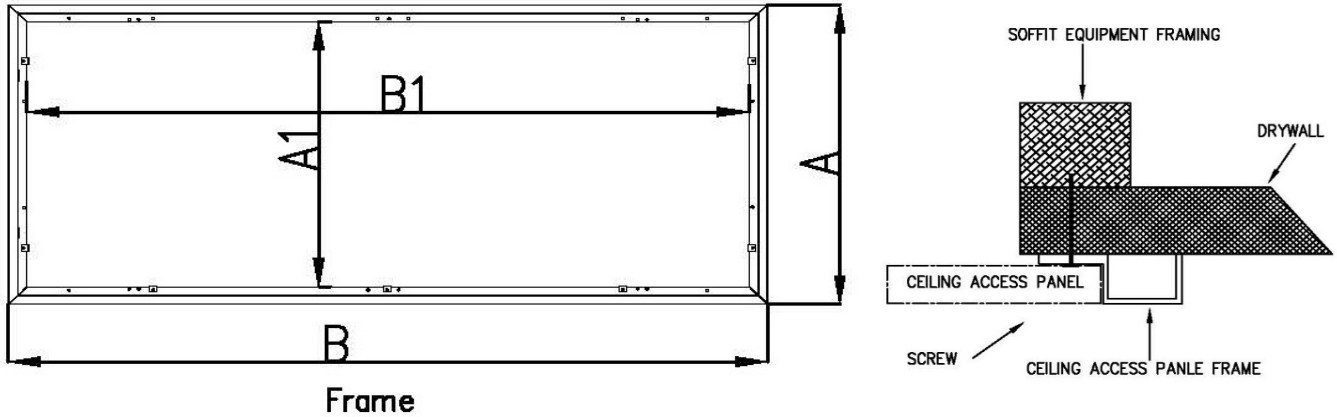


Louvered Panel



Solid Panel

Product Dimensions and Specifications



PANEL MODEL NUMBER	STYLE	INSIDE FRAME OPENING		OUTSIDE FRAME		FILTER RACK	FILTER QTY
		A1	B1	A	B		
965-LA	LOUVERED	24.5	40	27.5	43	20 X 30 X 1	1
965-LB	LOUVERED	24.5	40	27.5	43	20 X 30 X 2	1
965-S	SOLID	24.5	40	27.5	43	N/A	N/A
966-LA	LOUVERED	24.5	46	27.5	49	20 X 20 X 1	2
966-LB	LOUVERED	24.5	46	27.5	49	20 X 20 X 2	2
966-S	SOLID	24.5	46	27.5	49	N/A	N/A
967-LA	LOUVERED	24.5	52.5	27.5	55.5	20 X 20 X 1	2
967-LB	LOUVERED	24.5	52.5	27.5	55.5	20 X 20 X 2	2
967-S	SOLID	24.5	52.5	27.5	55.5	N/A	N/A
967-6-LA	LOUVERED	24.5	60	27.5	63	20 X 25 X 1	2
967-6-LB	LOUVERED	24.5	60	27.5	63	20 X 25 X 2	2
967-6-S	SOLID	24.5	60	27.5	63	N/A	N/A
967-8-LA	LOUVERED	24.5	67	27.5	70	20 X 30 X 1	2
987-8-LB	LOUVERED	24.5	67	27.5	70	20 X 30 X 2	2
967-8-S	SOLID	24.5	67	27.5	70	N/A	N/A

Filters are not included with Access Panels.

Standard Disposable, Merv 8, Merv 11 and Merv 13 Filters are available at an additional cost.

Please insure that there is enough space in the soffit to accommodate a 2" filter rack, before selecting the access panels with the LB suffix.

Please refer to the Multi Manufacturing Operation and Maintenance Guidelines for a recommended filter replacement schedule.

Subject: MERV 11 and MERV 13 Pleated Filters

Overview:

Minimum Efficiency Reporting Value (MERV) is a measurement of performance for filters that are used in HVAC systems. The higher the MERV rating, the more particulates are removed by the filter, which also causes the filter to become more restrictive. As engineers design more projects with increased indoor air quality, we need to be mindful of the static resistance in these designs. The increased static pressure drop in higher MERV rated filters must be calculated in the total system designs, to allow proper system performance.

The initial static resistance for the return air filter should be 0.10 IWG, at most, on residential fan coil systems. Please refer to the Louvered Access Panel Performance tables for the actual pressure drop data.

Average Pressure Drop:

Filter Thickness	MERV Rating	Pressure Drop IWG	Velocity Airflow Rate FPM
1"	11	0.10	200
1"	13	0.10	175
2"	11	0.10	240
2"	13	0.10	195
4"	11	0.10	300
4"	13	0.10	260

Filter Sizing Formula:

Air Filter Sq. Ft. = CFM / Air Filter FPM Velocity

Below is an example the Square Feet of filter media that would be required for a 2.0 ton system (800 CFM).

Merv 11

1" filter = 800 / 200 = 4.0 Square Feet

2" filter = 800 / 240 = 3.33 Square Feet

4" filter = 800 / 300 = 2.67 Square Feet

Merv 13

1" filter = 800 / 175 = 4.57 Square Feet

2" filter = 800 / 195 = 4.10 Square Feet

4" filter = 800 / 260 = 3.08 Square Feet

Summary:

In order to reach a pressure drop of 0.10 IWG, the engineer will need to design with ceiling access panel / filter grilles or remote filter grilles that have enough face area to allow for a low enough FPM to accommodate these higher MERV rated filters. The design engineer should also refer to the blower tables in the Multi Manufacturing specification sheets, to ensure that the total external static of the duct system does not exceed the maximum allowed.

Notes:

1. As MERV 11 and MERV 13 filters remove more particulates than lower rated MERV filters, they need to be replaced more often. Failure to replace these filters on a regular maintenance schedule may result in a higher HVAC system operating cost, shorter unit life and may cause water damage.
2. Standard filters, below MERV 8, cannot be replaced with MERV 11 or MERV 13 filters.



Louvered Access Panel Performance

Flanders Pre Pleat 40 LPD MERV 8 Standard 1"	CFM									
	500	600	700	800	900	1,000	1,100	1,200	1,300	1,500
965-LA	0.04	0.06	0.07	0.08						
966-LA		0.04	0.05	0.06	0.07	0.08	0.09			
967-LA		0.04	0.05	0.06	0.07	0.08	0.09			
967-6-LA			0.03	0.04	0.05	0.06	0.06	0.07	0.08	
967-8-LA				0.03	0.04	0.04	0.05	0.06	0.06	0.08

Flanders Pre Pleat 40 LPD MERV 8 High Capacity 1"	CFM									
	500	600	700	800	900	1,000	1,100	1,200	1,300	1,500
965-LA	0.03	0.04	0.06	0.07	0.08	0.10				
966-LA			0.03	0.04	0.05	0.06	0.07	0.08	0.10	
967-LA			0.03	0.04	0.05	0.06	0.07	0.08	0.10	
967-6-LA					0.04	0.04	0.05	0.06	0.07	0.08
967-8-LA						0.03	0.04	0.04	0.05	0.06

Flanders Pre Pleat 62RM11 MERV 11 Standard 1"	CFM									
	500	600	700	800	900	1,000	1,100	1,200	1,300	1,500
965-LA	0.04	0.05	0.06	0.08	0.09					
966-LA		0.03	0.04	0.05	0.06	0.07	0.08	0.09		
967-LA		0.03	0.04	0.05	0.06	0.07	0.08	0.09		
967-6-LA				0.04	0.04	0.05	0.06	0.07	0.07	0.09
967-8-LA					0.03	0.04	0.04	0.05	0.06	0.07

Flanders Pre Pleat 62RM11 MERV 11 High Capacity 1"	CFM									
	500	600	700	800	900	1,000	1,100	1,200	1,300	1,500
965-LA	0.03	0.04	0.06	0.07	0.08	0.10				
966-LA			0.03	0.04	0.05	0.06	0.07	0.08	0.10	
967-LA			0.04	0.05	0.06	0.07	0.08	0.09	0.10	
967-6-LA					0.04	0.04	0.05	0.06	0.07	0.08
967-8-LA						0.03	0.04	0.04	0.05	0.06

Flanders Pre Pleat MERV 11 High Capacity 2"	CFM									
	500	600	700	800	900	1,000	1,100	1,200	1,300	1,500
965-LB	0.03	0.04	0.05	0.07	0.08	0.09				
966-LB		0.03	0.04	0.04	0.05	0.06	0.07	0.08	0.09	
967-LB		0.03	0.04	0.04	0.05	0.06	0.07	0.08	0.09	
967-6-LB			0.03	0.03	0.04	0.04	0.05	0.06	0.06	0.08
967-8-LB				0.03	0.03	0.03	0.04	0.04	0.05	0.06

The Pressure Drop Values are based on the AAF / Flanders filter data.



Louvered Access Panel Performance

Flanders Pre Pleat MERV 13 1"	CFM									
	500	600	700	800	900	1,000	1,100	1,200	1,300	1,500
965-LA	0.06	0.08	0.09							
966-LA	0.04	0.05	0.06	0.08	0.09	0.10				
967-LA	0.04	0.05	0.06	0.08	0.09	0.10				
967-6-LA	0.03	0.04	0.05	0.06	0.07	0.08	0.09	0.10		
967-8-LA		0.03	0.04	0.05	0.05	0.06	0.07	0.08	0.09	0.10

Flanders Pre Pleat MERV 13 2"	CFM									
	500	600	700	800	900	1,000	1,100	1,200	1,300	1,500
965-LB	0.04	0.05	0.07	0.09						
966-LB	0.04	0.05	0.05	0.07	0.08	0.09	0.10			
967-LB	0.03	0.04	0.05	0.06	0.07	0.09	0.10			
967-6-LB				0.03	0.04	0.04	0.05	0.06	0.07	0.10
967-8-LB			0.03	0.04	0.04	0.05	0.06	0.07	0.08	0.10

The Pressure Drop Values are based on the AAF / Flanders filter data.



**33380 Zeiders Road, Suite 101
Menifee, CA 92584**

Phone 888-741-9775

Fax 760-480-8904

www.multimfg-usa.com