



CCHP-HE-B

High Efficiency

Ceiling Cassette System

R454b Model



3/4 Ton - 4 Ton, with Efficiencies up to 22.00 SEER2 and 14.3 EER2



R454b

The CCHP-HE is a high efficient split system, with a horizontal ceiling mount 4-way cassette fan coil and an outdoor side discharge heat pump unit. The 4-way ceiling grille, with motorized vanes, directs air from four areas of the grille. This system supplies comfortable cooling and heating at low sound levels, with new R454b refrigerant.

Typical installations for the CCHP-HE include:

- Apartments
- Condominiums
- Independent Care Facilities
- Pre Manufactured Homes
- Single Family Home Additions
- Modular Buildings
- Student Housing
- Offices
- Stores



Features

Highly Efficient / High Performance

- Highly Efficient Inverter Compressor, with Efficiencies up to 22.00 SEER2
- Air Handler EC Blower Motor
- Low Amp Draw DC motor in Outdoor HP

Quiet Operation, Inside and Outside

- Low Sone DC motor in CCHP Fan Coil
- Quiet Inverter Compressor in Outdoor Heat Pump, with low Sound Levels

Heating at Low Ambient Conditions

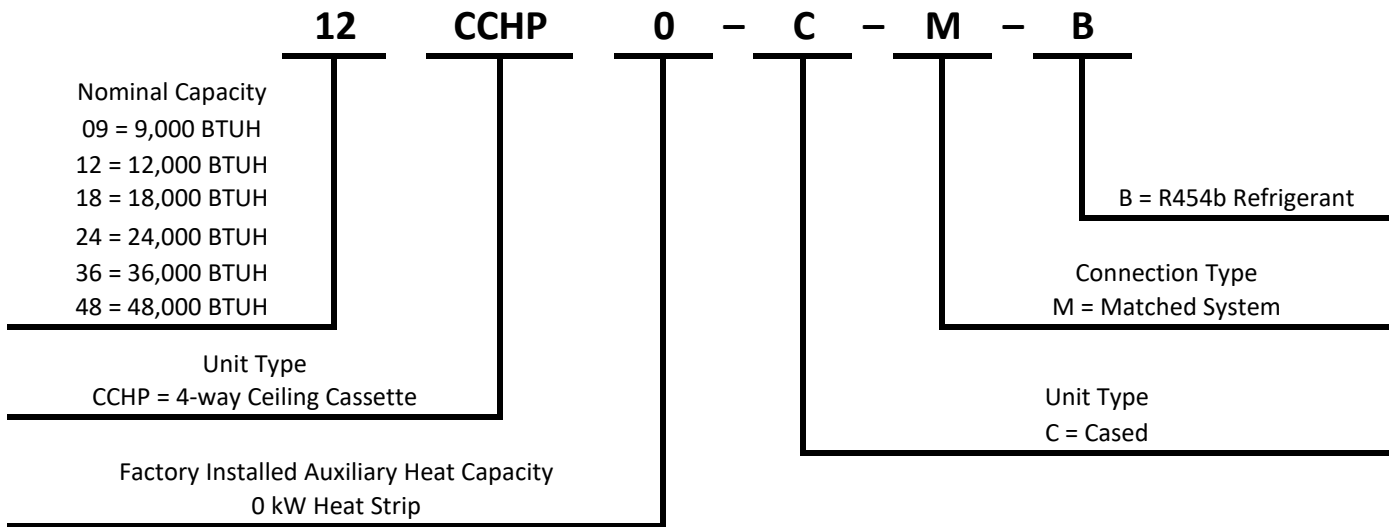
- Standard Base Pan Heaters
- Crankcase Heater

Design

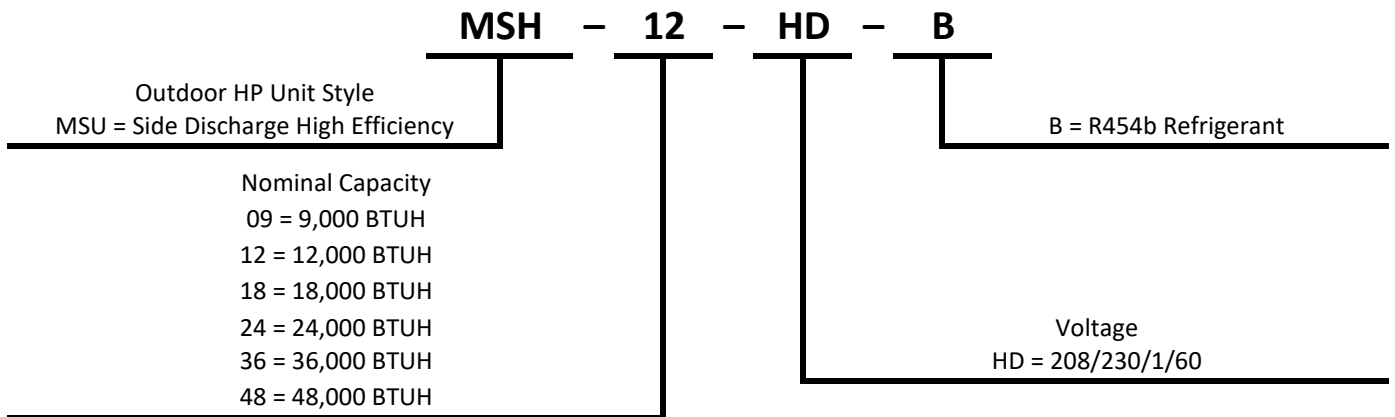
- Installed Indoor Fan Coil Freeze Protector
- Automatic Restart Function
- Available Optional 24V Control Board with High, Medium and Low Motor Speed Taps
- Liquid Line Service Port
- Factory Installed High Lift Condensate Pump
- Cleanable Filters in Fan Coil
- Gold Pre-Coated Fins on Evaporator and Condenser Coils
- Environmentally Friendly R454b Refrigerant

Nomenclature

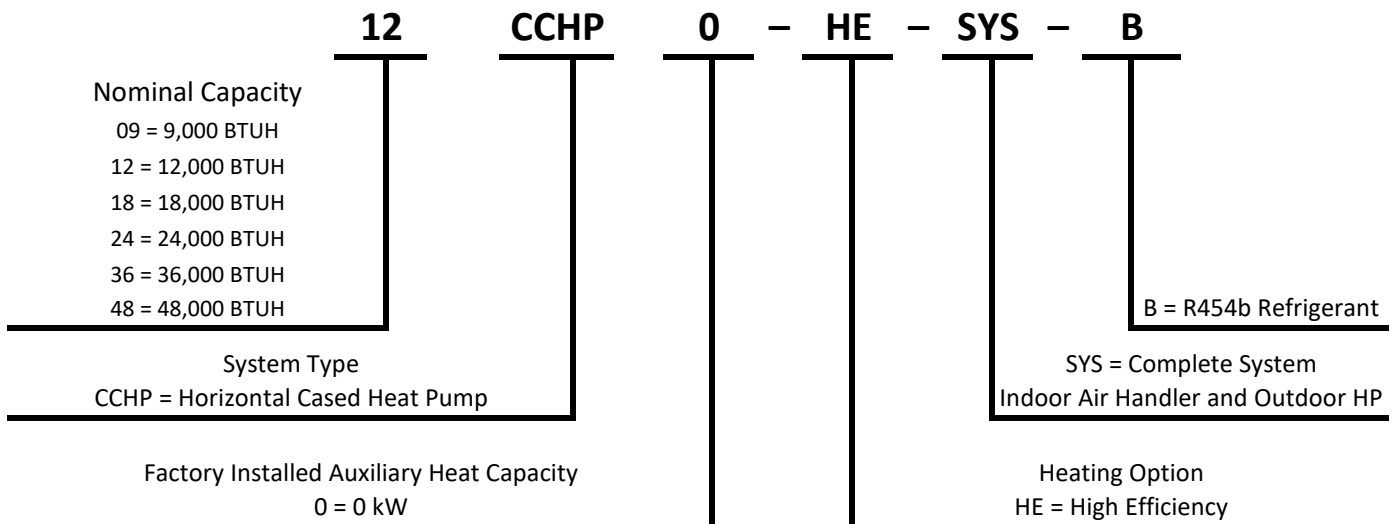
Indoor Unit



Outdoor Unit



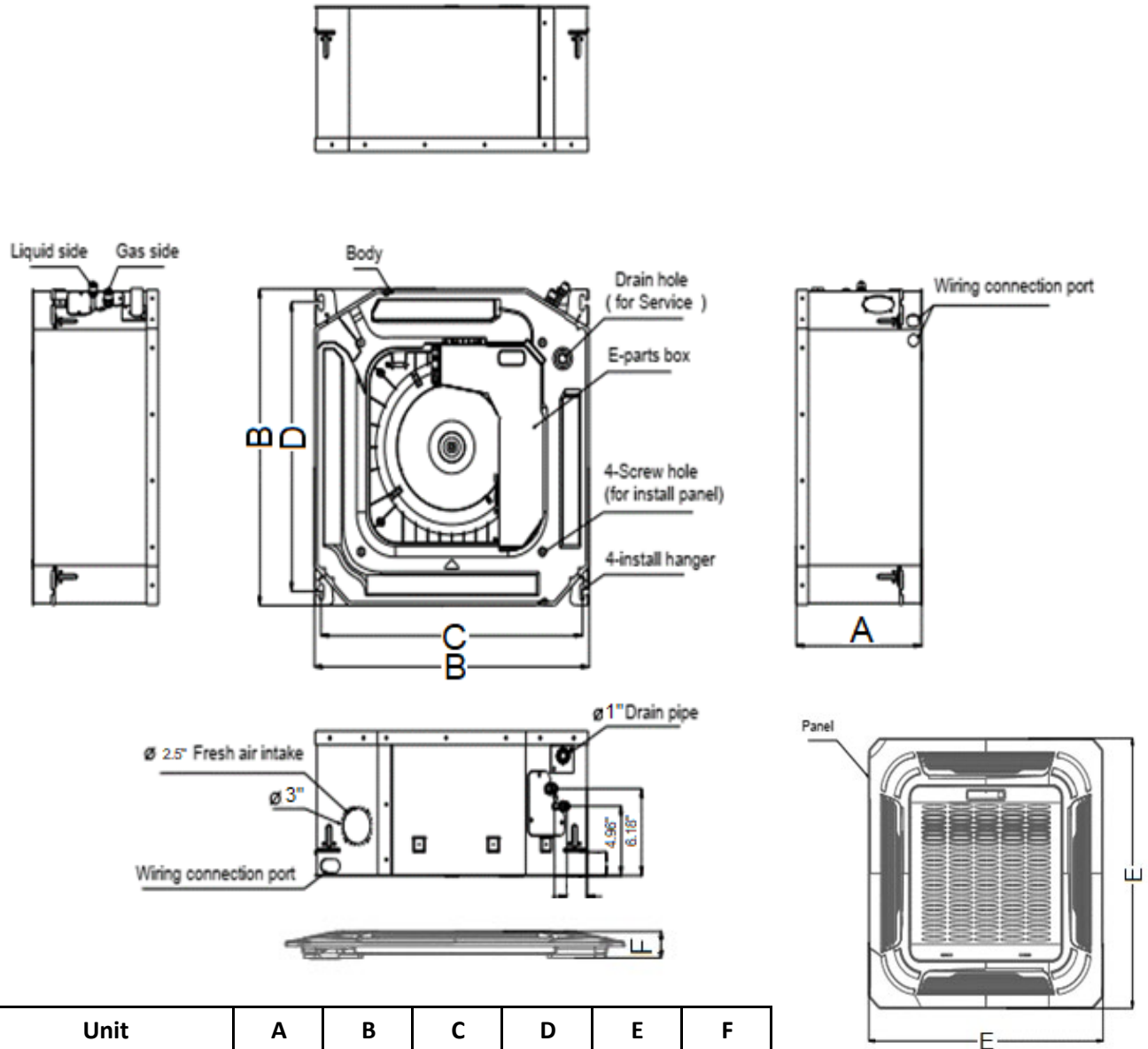
System



CCHP

3/4 ton - 1-1/2 ton Heat Pump Fan Coil

Dimensional Data



Unit	A	B	C	D	E	F
9CCHP0-C-M-B	9.65	22.44	20.88	21.0		
12CCHP0-C-M-B	9.65	22.44	20.88	21.0		
18CCHP0-C-M-B	9.65	22.44	20.88	21.0		
PANEL-918CCHP-B					24.38	2.00

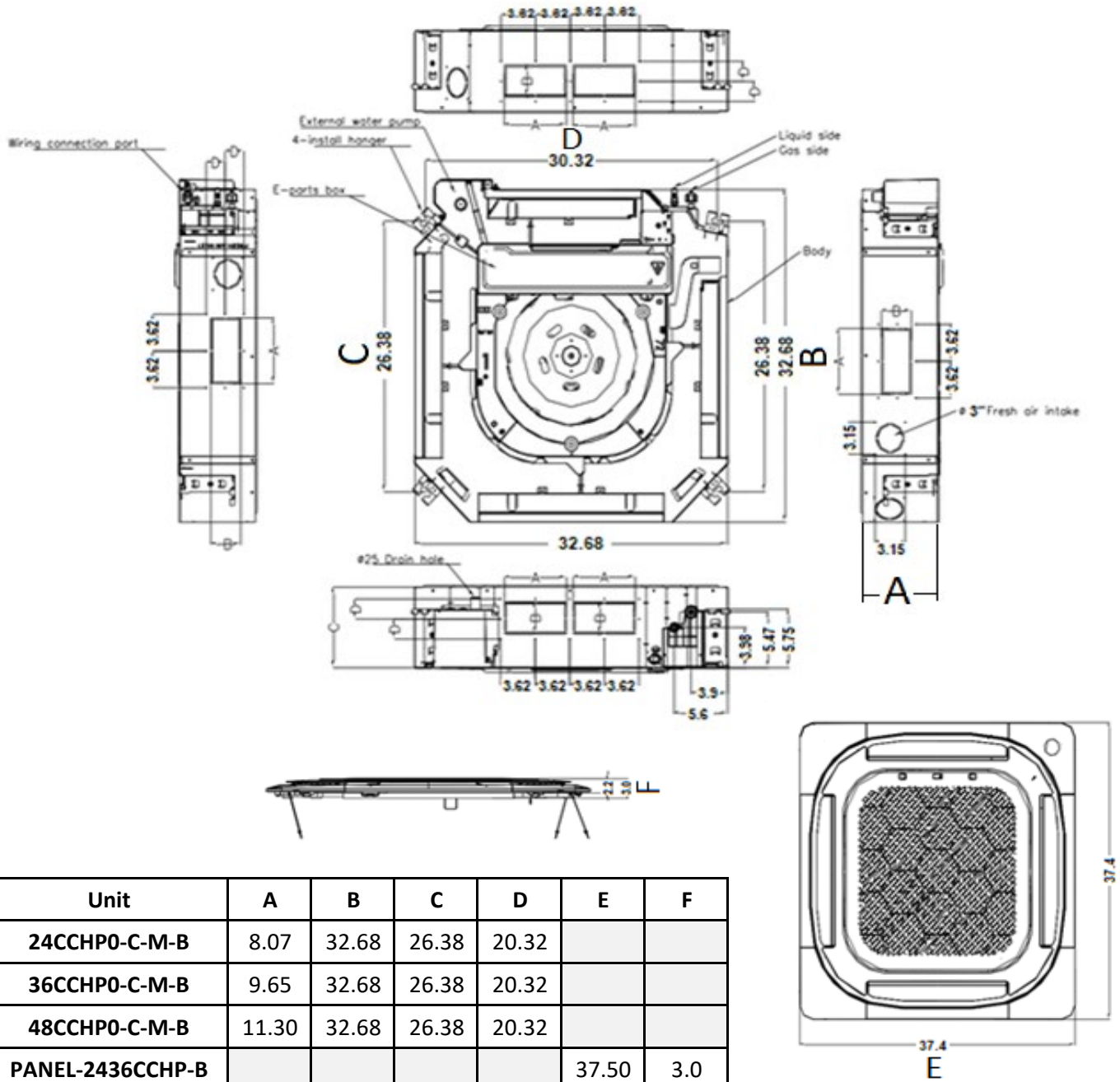
Dimensions shown are in Inches

Condensate Connections on all units are 1"

CCHP

2 ton - 4 ton Heat Pump Fan Coil

Dimensional Data



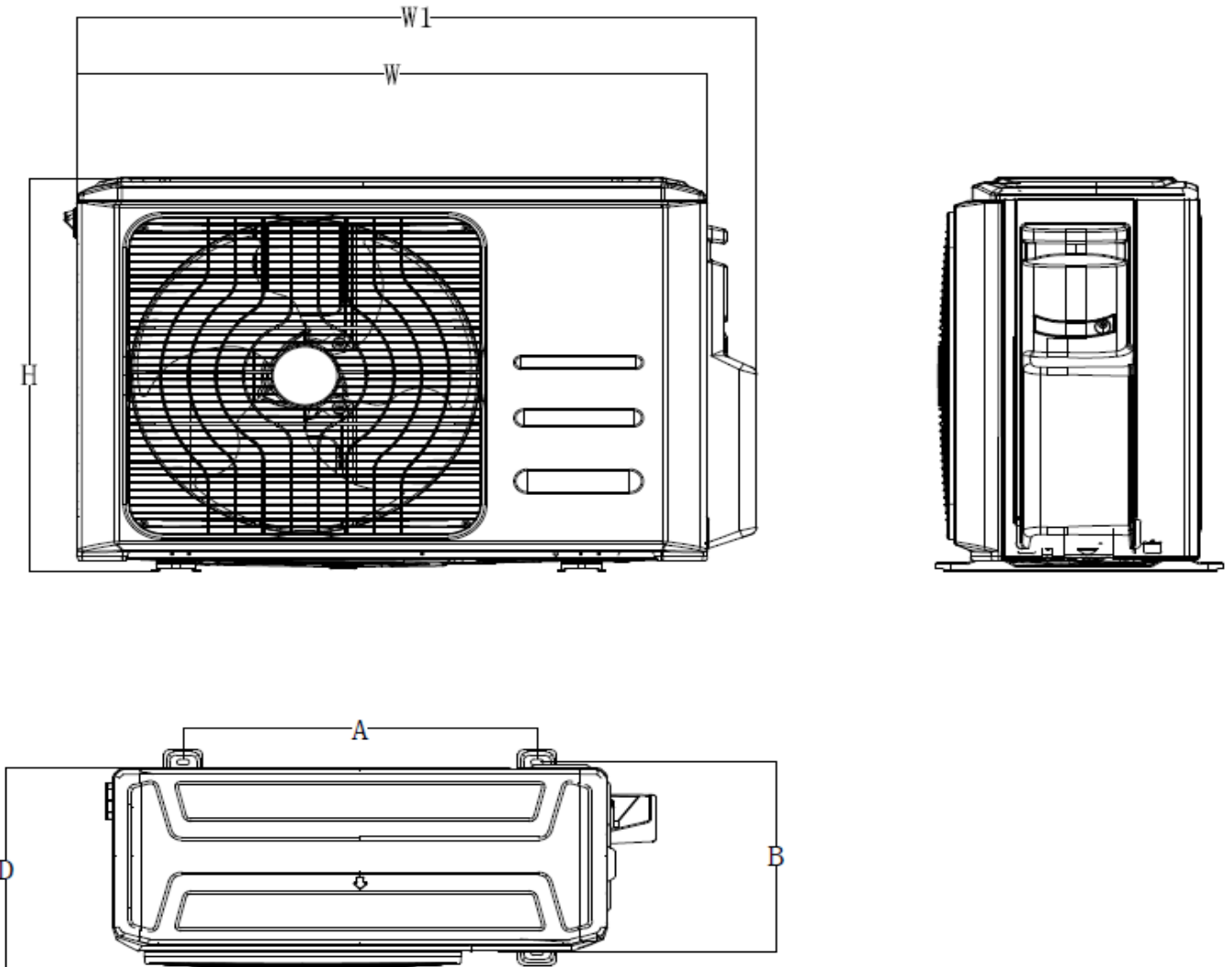
Dimensions shown are in Inches

Condensate Connections on all units are 1"

MSU

3/4 ton - 3 ton Heat Pump Outdoor Units

Dimensional Data



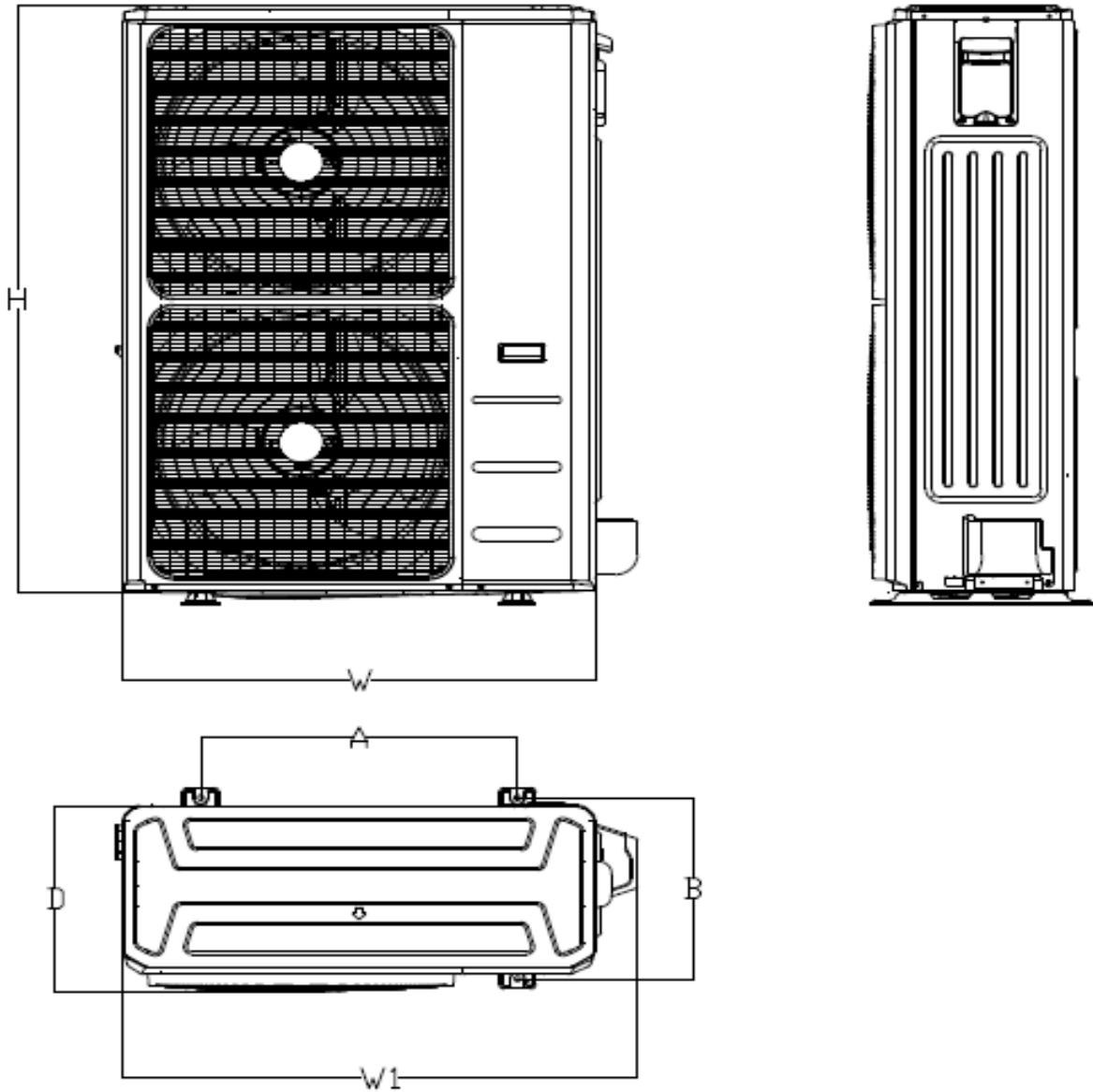
Unit	Unit Width (W)	Unit Depth (D)	Unit Height (H)	W1	Bracket Width (A)	Bracket Depth (B)
MSU-09HD-B	31.69	12.99	21.81	34.38	20.13	13.63
MSU-12HD-B	31.69	12.99	21.81	34.38	20.13	13.63
MSU-18HD-B	35.04	13.46	26.50	37.63	26.13	15.00
MSU-24HD-B	37.24	16.14	31.89	40.50	26.50	15.88
MSU-36HD-B	38.58	16.34	38.39	41.85	24.25	17.38

Dimensions shown are in Inches

MSU

4 ton Heat Pump Outdoor Unit

Dimensional Data



Unit	Unit Width (W)	Unit Depth (D)	Unit Height (H)	W1	Bracket Width (A)	Bracket Depth (B)
MSU-48HD-B	37.48	16.34	52.48	41.13	25.25	16.88

Dimensions shown are in Inches

Fan Coil Specifications

Indoor Model		9CCHP0-C-M-B	12CCHP0-C-M-B	18CCHP0-C-M-B	24CCHP0-C-M-B
Electrical					
Power supply to Outdoor Unit	V,Hz,P h	208-230~1-60	208-230~1-60	208-230~1-60	208-230~1-60
Fan Coil Power Supply	Fan Coil Powered from Outdoor Heat Pump				
MCA	A	3.0	3.0	3.0	3.0
Max Fuse	A	15.0	15.0	15.0	15.0
Connection Wiring	AWG 14-4				
Airflow					
Fan Speeds		3	3	3	3
Indoor air flow (T/Hi/Med/Lo) (No duct)	CFM	353/312/265/183/147	418/365/306/194/147	447/389/318/194/147	765/706/636/547/NA
Indoor noise level (T/Hi/Med/Lo)	dB(A)	42.5/40.0/37.5/26.0/24.0	46.0/43.5/40.5/27.5/26.0	48.0/44.5/41.0/27.5/23.5	48.5/45.0/42.5/33.5/NA
Controls					
Wireless Remote Controller	°F or °C	Standard	Standard	Standard	Standard
Wired Wall Controller	°F or °C	Optional	Optional	Optional	Optional
Piping					
Liquid Pipe Connection Size	Φ inch	1/4	1/4	1/4	3/8
Suction Pipe Connection Size	Φ inch	3/8	1/2	1/2	5/8
Field Install Drain Pipe Size	Φ inch	1	1	1	1
Dimensions and Weights					
Unit Width	inch	22.44	22.44	22.44	32.68
Unit Height	inch	9.65	9.65	9.65	8.07
Unit Depth	inch	22.44	22.44	22.44	32.68
Unit Net Weight	lb	35.27	35.27	35.27	47.18
Panel Width	inch	24.375	24.375	24.375	37.5
Panel Height	inch	2.0	2.0	2.0	2.0
Panel Depth	inch	24.375	24.375	24.375	37.5
Panel Net Weight	lb	3.2	3.2	3.2	6.0

Fan Coil Specifications

Indoor Model		36CCHP0-C-M-B	48CCHP0-C-M-B
Electrical			
Power supply to Outdoor Unit	V,Hz,Ph	208-230~1-60	208-230~1-60
Fan Coil Power Supply	Fan Coil Powered from Outdoor Heat Pump		
MCA	A	3.0	3.0
Max Fuse		15.0	15.0
Connection Wiring	AWG 14-4		
Airflow			
Fan Speeds		3	3
Indoor air flow (T/Hi/Med/Lo) (No duct)	CFM	1042/948/854/853/659	1236/1124/1018/801/689
Indoor noise level (Hi/Med/Lo)	dB(A)	NA/52.0/47.5/40.0/38.0	NA/52.0/49.5/41.5/38.0
Controls			
Wireless Remote Controller	°F or °C	Standard	Standard
Wired Wall Controller	°F or °C	Optional	Optional
Piping			
Liquid Pipe Connection Size	Φ inch	3/8	3/8
Suction Pipe Connection Size	Φ inch	3/4	3/4
Field Install Drain Pipe Size	Φ inch	1	1
Dimensions and Weights			
Unit Width	inch	32.68	32.68
Unit Height	inch	9.65	11.3
Unit Depth	inch	32.68	32.68
Unit Net Weight	lb	47.18	47.18
Panel Width	inch	37.5	37.5
Panel Height	inch	2.0	2.0
Panel Depth	inch	37.5	37.5
Panel Net Weight	lb	6.0	6.0

Outdoor Heat Pump Specifications

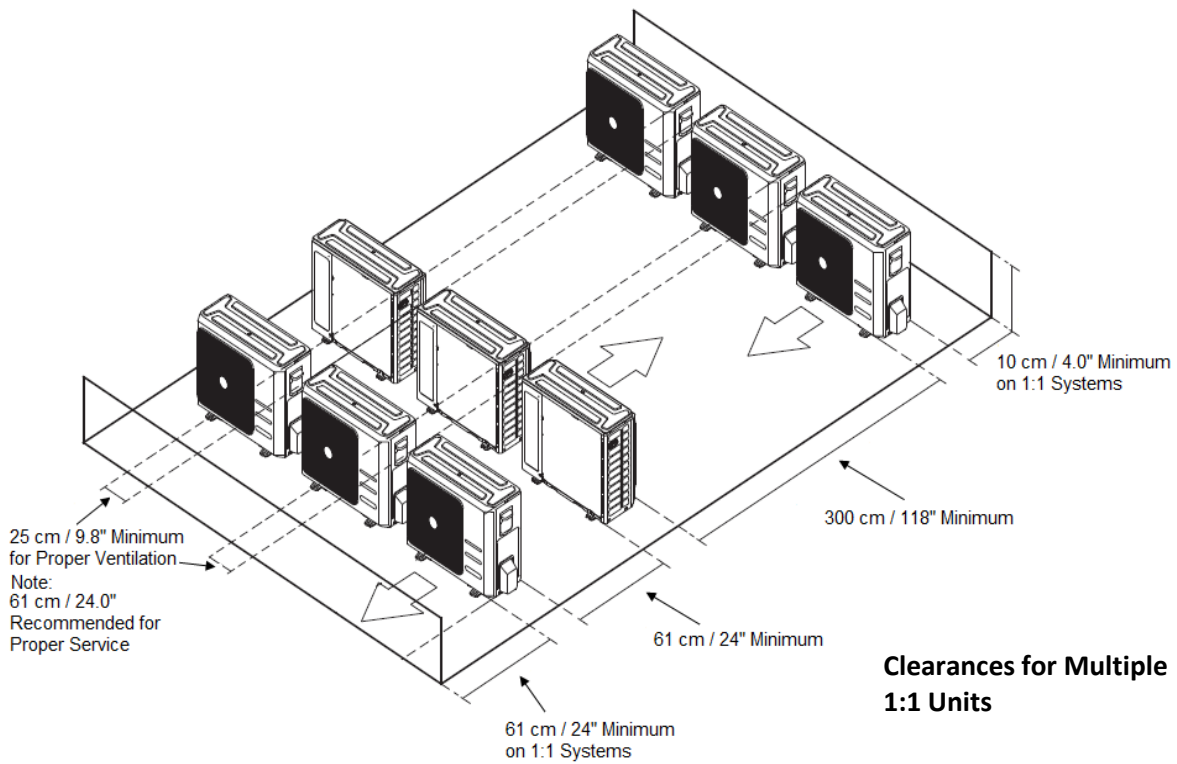
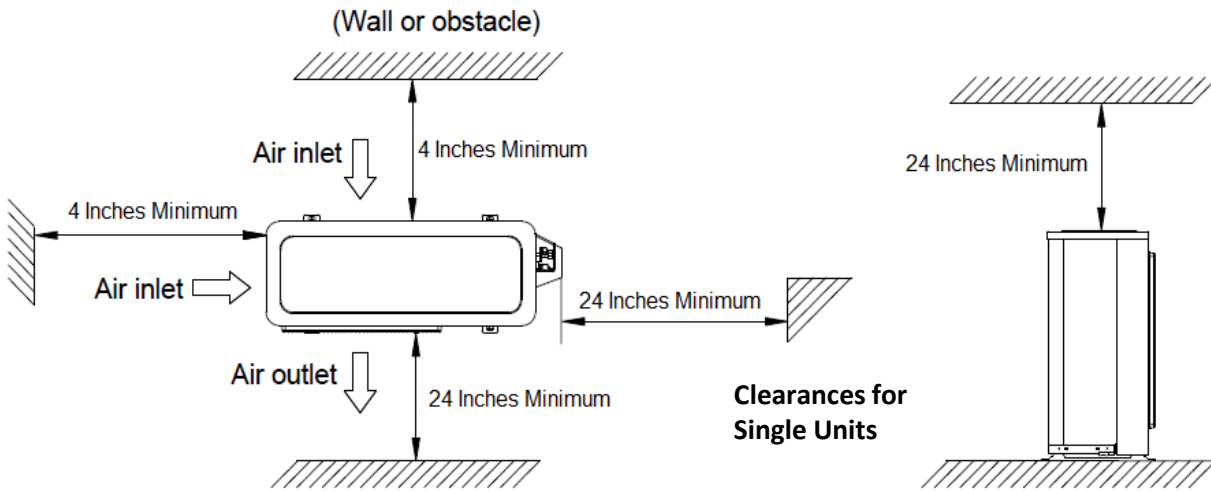
System Model		9CCHP0-HE-SYS-B	12CCHP0-HE-SYS-B	18CCHP0-HE-SYS-B	24CCHP0-HE-SYS-B	
Indoor Model		9CCHP0-C-M-B	12CCHP0-C-M-B	18CCHP0-C-M-B	24CCHP0-C-M-B	
Outdoor Model		MSU-09HD-B	MSU-12HD-B	MSU-18HD-B	MSU-24HD-B	
Power supply	V/Hz/Ph	208/230/60/1	208/230/60/1	208/230/60/1	208/230/60/1	
Minimum circuit ampacity	A	15.0	15.0	19.0	24.9	
Max. fuse	A	15.0	15.0	20.0	25.0	
Compressor	Model	KTN110D42UFZ	KTN110D42UFZ	KTM240D46UKT2	KTM240D46UKT2	
	Type	ROTARY	ROTARY	ROTARY	ROTARY	
	Brand	GMCC	GMCC	GMCC	GMCC	
	Capacity	W	3465	3465	4780 / 7600	4780 / 7600
	Input	W	885	885	805 / 2045	805 / 2045
	Rated current (RLA)	A	6	6	4.15 / 9.30	4.15 / 9.30
	Refrigerant oil	ml	VG74 / 350	VG74 / 350	VG74 / 620	VG74 / 620
Outdoor fan motor	Model	ZKFN-34-10-1-3	ZKFN-34-10-1-3	ZKFN-80-8-3	ZKFN-120-8-2	
	Qty		1	1	1	
	Output	W	45	45	45	
	RLA	A	0.60	0.5	0.90	1.30
	Speed (H/M/L)	r/min	600/530/380	700/600/400	800/750/700	624/568/426
Outdoor air flow (Max.)	CFM	1472	1472	1766	2237	
Outdoor noise level	dB(A)	55.0	57.0	57.5	61.5	
Throttle type		EXV	EXV	EXV+Throttle Valve	EXV+Throttle Valve	
Outdoor unit	Dimension (W×D×H)	inch	31.69x12.99x21.81	31.69x12.99x21.81	35.04x13.46x26.50	37.24x16.14x31.89
	Packing (W×D×H)	inch	36.02x14.57x24.21	36.02x14.57x24.21	39.17x15.67x29.13	42.91x19.68x34.84
	Net/ Gross weight	lbs.	72.75 / 78.70	72.75 / 78.70	99.87 / 107.80	130.29 / 141.31
Refrigerant	Type/Precharge	Oz	R454B / 35.27	R454B / 35.27	R454B / 55.38	R454B / 63.49
Refrigerant precharge	ft	25	25	25	25	
Additional charge for each ft	oz	0.16	0.16	0.16	0.32	
Design pressure	PSIG	550 / 340	550 / 340	550 / 340	550 / 340	
Refrigerant piping	Liquid / Suction	inch	1/4" / 3/8"	1/4" / 3/8"	1/4" / 1/2"	3/8" / 5/8"
	Max. pipe length	ft	82	82	98	164
	Max. vertical lift	ft	49.2	49.2	65.6	82.0
Ambient Range	Cooling	°F	-22~122	-22~122	-22~122	-22~122
	Heating	°F	-22~75	-22~75	-22~75	-22~75

Outdoor Heat Pump Specifications

System Model			36HSHP0-HE-SYS-B	48HSHP0-HE-SYS-B
Indoor Model			36HSHP0-C-M-B	48HSHP0-C-M-B
Outdoor Model			MSU-36HD-B	MSU-48HD-B
Power supply	V/Hz/Ph		208/230/60/1	208/230/60/1
Minimum circuit ampacity	A		38.0	44.0
Max. fuse	A		40.0	45.0
Compressor	Model		EKPQ420D1UMUA	EKPQ420D1UMUA
	Type		ROTARY	ROTARY
	Brand		GMCC	GMCC
	Capacity	W	12000	12000
	Input	W	3265	3265
	Rated current (RLA)	A	24.5	27.0
	Refrigerant oil	ml	VG75 / 1460	VG75 / 1460
Outdoor fan motor	Model		ZKFN-250-10-1	ZKFN-85-10-1L
	Qty		1	2
	Input	W	150	126
	RLA	A	2.1	1.2
	Speed	r/min	750/650/550	850/750/650
Outdoor air flow (Max.)	CFM		3002	4238
Outdoor noise level	dB(A)		64.5	62.5
Throttle type			EXV+Throttle Valve	EXV+Throttle Valve
Outdoor unit	Dimension (W×D×H)	inch	38.58x16.34x38.39	37.48x16.34x52.48
	Packing (W×D×H)	inch	45.08x19.68x42.52	43.11x19.49x57.48
	Net/ Gross weight	lbs.	206.57 / 237.44	208.78 / 239.86
Refrigerant	Type/Precharge	Oz	R454B / 126.99	R454B / 126.10
Refrigerant precharge	ft		25	25
Additional charge for each ft	oz		0.32	0.32
Design pressure	PSIG		550 / 340	550 / 340
Refrigerant piping	Liquid / Suction	inch	3/8" / 3/4"	3/8" / 3/4"
	Max. pipe length	ft	246	246
	Max. vertical lift	ft	98.4	98.4
Ambient Range	Cooling	°F	-22~122	-22~122
	Heating	°F	-22~75	-22~75

Clearances

MSU Outdoor Units



CCHP-HE-SYS-B

System Performance

High Efficiency Systems								
System	Indoor Fan Coil	Outdoor HP	SEER2	EER2	COP	HSPF2	BTU Cooling	BTU Heating
9CCHP0-HE-SYS-B	9CCHP0-C-M-B	MSU-09HD-B	21.60	14.3	4.0	11.3	9,000	10,000
12CCHP0-HE-SYS-B	12CCHP0-C-M-B	MSU-12HD-B	21.10	12.5	3.6	10.4	12,000	12,000
18CCHP0-HE-SYS-B	18CCHP0-C-M-B	MSU-18HD-B	20.70	12.5	3.4	11.4	16,800	18,000
24CCHP0-HE-SYS-B	24CCHP0-C-M-B	MSU-24HD-B	22.00	12.0	3.2	10.5	24,000	25,000
36CCHP0-HE-SYS-B	36CCHP0-C-M-B	MSU-36HD-B	20.00	9.6	3.3	10.3	36,000	38,000
48CCHP0-HE-SYS-B	48CCHP0-C-M-B	MSU-48HD-B	19.00	9.5	3.0	9.9	48,000	50,000

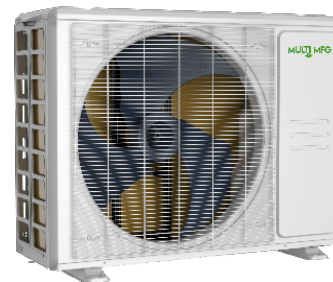
Fan Coil Noise Level (dBA)

Fan Coil	dBA High
9CCHP0-C-M-B	40.0
12CCHP0-C-M-B	43.5
18CCHP0-C-M-B	44.5
24CCHP0-C-M-B	45.0
36CCHP0-C-M-B	52.0
48CCHP0-C-M-B	52.0



Outdoor Heat Pump Noise Level

Heat Pump	dBA
MSU-09HD-B	54.5
MSU-12HD-B	54.5
MSU-18HD-B	57.5
MSU-24HD-B	59.5
MSU-36HD-B	63.0
MSU-48HD-B	62.5



9CCHP-HE-SYS-B Expanded Cooling @ 182 CFM

OD DB	ID WB (°F)	60.8 °F					64.4°F					67.0°F					71.6°F				
	ID DB (°F)	73.4 °F	77.0 °F	80.0 °F	80.6 °F	84.2 °F	73.4 °F	77.0 °F	80.0 °F	80.6 °F	84.2 °F	73.4 °F	77.0 °F	80.0 °F	80.6 °F	84.2 °F	73.4 °F	77.0 °F	80.0 °F	80.6 °F	84.2 °F
50°F	TC	7433	7443	7451	7452	7462	7881	7891	7899	7900	7910	8352	8363	8372	8374	8383	8856	8865	8875	8876	8887
	S/T	0.38	0.44	0.50	0.50	0.57	0.40	0.47	0.53	0.53	0.60	0.42	0.49	0.56	0.56	0.64	0.45	0.52	0.60	0.60	0.68
	PI	0.31	0.31	0.31	0.31	0.31	0.33	0.33	0.33	0.33	0.33	0.35	0.35	0.35	0.35	0.35	0.37	0.37	0.37	0.37	0.37
59°F	TC	7550	7560	7569	7569	7579	8005	8015	8023	8024	8034	8484	8495	8504	8506	8515	8995	9005	9014	9016	9027
	S/T	0.38	0.44	0.50	0.50	0.57	0.40	0.47	0.53	0.53	0.61	0.42	0.50	0.56	0.56	0.64	0.45	0.53	0.60	0.60	0.68
	PI	0.33	0.33	0.33	0.33	0.33	0.35	0.35	0.35	0.35	0.35	0.37	0.37	0.38	0.38	0.38	0.40	0.40	0.40	0.40	0.40
68°F	TC	7667	7677	7686	7686	7696	8129	8139	8147	8148	8158	8615	8626	8636	8637	8647	9134	9144	9154	9155	9167
	S/T	0.39	0.45	0.52	0.52	0.59	0.41	0.48	0.55	0.55	0.62	0.43	0.51	0.58	0.58	0.66	0.46	0.54	0.61	0.61	0.70
	PI	0.36	0.36	0.36	0.36	0.36	0.38	0.38	0.38	0.38	0.38	0.40	0.40	0.40	0.40	0.40	0.42	0.43	0.43	0.43	0.43
77°F	TC	7784	7794	7803	7803	7814	8253	8263	8271	8273	8282	8746	8757	8767	8769	8779	9273	9283	9293	9295	9306
	S/T	0.39	0.46	0.52	0.52	0.60	0.42	0.49	0.55	0.55	0.63	0.44	0.52	0.59	0.59	0.67	0.47	0.55	0.62	0.62	0.71
	PI	0.38	0.38	0.38	0.38	0.38	0.40	0.40	0.40	0.40	0.40	0.43	0.43	0.43	0.43	0.43	0.45	0.45	0.45	0.45	0.45
80°F	TC	7850	7860	7869	7869	7880	8323	8333	8341	8342	8352	8820	8831	8841	8843	8853	9351	9362	9372	9373	9385
	S/T	0.40	0.47	0.53	0.53	0.60	0.42	0.49	0.56	0.56	0.64	0.45	0.52	0.59	0.60	0.68	0.47	0.56	0.63	0.63	0.72
	PI	0.43	0.43	0.43	0.43	0.43	0.45	0.45	0.45	0.45	0.45	0.48	0.48	0.48	0.48	0.48	0.51	0.51	0.51	0.51	0.51
86°F	TC	7903	7914	7923	7923	7934	8380	8390	8398	8400	8410	8880	8892	8902	8903	8913	9415	9426	9436	9437	9449
	S/T	0.40	0.47	0.54	0.54	0.61	0.43	0.50	0.57	0.57	0.65	0.45	0.53	0.60	0.60	0.69	0.48	0.56	0.64	0.64	0.73
	PI	0.50	0.50	0.50	0.50	0.50	0.53	0.53	0.53	0.53	0.53	0.56	0.56	0.57	0.57	0.57	0.60	0.60	0.60	0.60	0.60
95°F	TC	8024	8035	8044	8044	8055	8508	8518	8526	8528	8538	9016	9028	9038	9040	9050	9559	9570	9580	9582	9594
	S/T	0.40	0.47	0.54	0.54	0.61	0.43	0.50	0.57	0.57	0.65	0.45	0.53	0.60	0.60	0.69	0.48	0.56	0.64	0.64	0.73
	PI	0.68	0.68	0.68	0.68	0.68	0.72	0.72	0.72	0.72	0.72	0.76	0.76	0.76	0.76	0.76	0.80	0.81	0.81	0.81	0.81
104°F	TC	7899	7909	7918	7918	7929	8375	8385	8393	8395	8405	8875	8887	8897	8898	8908	9410	9420	9430	9432	9444
	S/T	0.41	0.48	0.55	0.55	0.63	0.44	0.51	0.58	0.58	0.66	0.46	0.54	0.62	0.62	0.70	0.49	0.58	0.65	0.65	0.75
	PI	0.72	0.72	0.72	0.72	0.72	0.76	0.76	0.76	0.76	0.76	0.80	0.80	0.81	0.81	0.81	0.85	0.85	0.85	0.85	0.86
110°F	TC	7824	7834	7843	7843	7854	8295	8305	8313	8315	8325	8791	8802	8812	8814	8823	9320	9330	9341	9342	9354
	S/T	0.43	0.50	0.57	0.57	0.65	0.45	0.53	0.60	0.60	0.69	0.48	0.56	0.64	0.64	0.73	0.51	0.60	0.68	0.68	0.77
	PI	0.74	0.74	0.74	0.74	0.74	0.78	0.78	0.79	0.79	0.79	0.83	0.83	0.83	0.83	0.83	0.88	0.88	0.88	0.88	0.88
115°F	TC	6524	6533	6540	6540	6549	6917	6925	6932	6934	6942	7330	7340	7348	7350	7358	7772	7781	7789	7790	7800
	S/T	0.43	0.51	0.58	0.58	0.66	0.46	0.54	0.61	0.61	0.70	0.49	0.57	0.65	0.65	0.74	0.51	0.60	0.69	0.69	0.78
	PI	0.68	0.68	0.68	0.68	0.68	0.72	0.72	0.72	0.72	0.72	0.76	0.76	0.76	0.76	0.77	0.81	0.81	0.81	0.81	0.81
122°F	TC	4791	4798	4803	4803	4810	5080	5086	5091	5092	5098	5384	5391	5397	5398	5404	5708	5714	5720	5721	5728
	S/T	0.44	0.52	0.59	0.59	0.67	0.47	0.55	0.63	0.63	0.71	0.50	0.58	0.66	0.66	0.76	0.53	0.62	0.70	0.70	0.80
	PI	0.60	0.60	0.60	0.60	0.60	0.63	0.63	0.63	0.64	0.64	0.67	0.67	0.67	0.67	0.67	0.71	0.71	0.71	0.71	0.71

9CCHP-HE-SYS-B Expanded Cooling @ 265 CFM

OD DB	ID WB (°F)	60.8 °F					64.4°F					67.0°F					71.6°F				
	ID DB (°F)	73.4 °F	77.0 °F	80.0 °F	80.6 °F	84.2 °F	73.4 °F	77.0 °F	80.0 °F	80.6 °F	84.2 °F	73.4 °F	77.0 °F	80.0 °F	80.6 °F	84.2 °F	73.4 °F	77.0 °F	80.0 °F	80.6 °F	84.2 °F
50°F	TC	8170	8181	8190	8190	8201	8663	8673	8681	8683	8693	9180	9192	9202	9204	9214	9733	9744	9754	9756	9768
	S/T	0.41	0.48	0.55	0.55	0.63	0.44	0.51	0.58	0.58	0.66	0.46	0.54	0.62	0.62	0.70	0.49	0.58	0.65	0.65	0.75
	PI	0.34	0.34	0.34	0.34	0.34	0.36	0.36	0.36	0.36	0.36	0.38	0.38	0.38	0.38	0.38	0.41	0.41	0.41	0.41	0.41
59°F	TC	8299	8310	8319	8319	8330	8799	8809	8818	8820	8830	9324	9336	9347	9349	9359	9886	9897	9908	9909	9922
	S/T	0.41	0.49	0.55	0.55	0.63	0.44	0.52	0.59	0.59	0.67	0.47	0.55	0.62	0.62	0.71	0.49	0.58	0.66	0.66	0.75
	PI	0.37	0.37	0.37	0.37	0.37	0.39	0.39	0.39	0.39	0.39	0.41	0.41	0.41	0.41	0.41	0.44	0.44	0.44	0.44	0.44
68°F	TC	8427	8438	8447	8448	8459	8935	8945	8954	8956	8967	9469	9481	9491	9493	9504	10039	10050	10061	10062	10075
	S/T	0.43	0.50	0.57	0.57	0.65	0.45	0.53	0.60	0.60	0.69	0.48	0.56	0.64	0.64	0.73	0.51	0.59	0.68	0.68	0.77
	PI	0.39	0.39	0.39	0.39	0.39	0.42	0.42	0.42	0.42	0.42	0.44	0.44	0.44	0.44	0.44	0.47	0.47	0.47	0.47	0.47
77°F	TC	8555	8567	8576	8576	8588	9071	9082	9091	9092	9103	9613	9625	9636	9638	9649	10192	10203	10214	10216	10229
	S/T	0.43	0.51	0.57	0.57	0.66	0.46	0.54	0.61	0.61	0.69	0.48	0.57	0.65	0.65	0.74	0.51	0.60	0.68	0.68	0.78
	PI	0.42	0.42	0.42	0.42	0.42	0.44	0.44	0.44	0.44	0.44	0.47	0.47	0.47	0.47	0.47	0.50	0.50	0.50	0.50	0.50
80°F	TC	8628	8639	8649	8649	8661	9148	9158	9167	9169	9180	9694	9707	9717	9719	9730	10278	10289	10301	10302	10315
	S/T	0.44	0.51	0.58	0.58	0.66	0.46	0.54	0.62	0.62	0.70	0.49	0.58	0.65	0.65	0.75	0.52	0.61	0.69	0.69	0.79
	PI	0.47	0.47	0.47	0.47	0.47	0.50	0.50	0.50	0.50	0.50	0.53	0.53	0.53	0.53	0.53	0.56	0.56	0.56	0.56	0.56
86°F	TC	8687	8698	8708	8708	8720	9210	9221	9230	9232	9243	9760	9773	9784	9786	9797	10348	10360	10371	10373	10386
	S/T	0.44	0.52	0.59	0.59	0.67	0.47	0.55	0.62	0.62	0.71	0.50	0.58	0.66	0.66	0.75	0.53	0.62	0.70	0.70	0.80
	PI	0.55	0.55	0.55	0.55	0.55	0.59	0.59	0.59	0.59	0.59	0.62	0.62	0.62	0.62	0.62	0.66	0.66	0.66	0.66	0.66
95°F	TC	8819	8831	8841	8841	8853	9351	9362	9371	9373	9384	9910	9923	9934	9935	9946	10507	10518	10530	10531	10544
	S/T	0.44	0.52	0.59	0.59	0.67	0.47	0.55	0.62	0.62	0.71	0.50	0.58	0.66	0.66	0.75	0.53	0.62	0.70	0.70	0.80
	PI	0.74	0.74	0.74	0.74	0.75	0.79	0.79	0.79	0.79	0.79	0.83	0.84	0.84	0.84	0.84	0.88	0.89	0.89	0.89	0.89
104°F	TC	8682	8693	8703	8703	8715	9205	9216	9225	9227	9238	9755	9767	9778	9780	9791	10343	10354	10365	10367	10380
	S/T	0.45	0.53	0.60	0.60	0.69	0.48	0.56	0.64	0.64	0.73	0.51	0.60	0.68	0.68	0.77	0.54	0.63	0.72	0.72	0.82
	PI	0.79	0.79	0.79	0.79	0.79	0.83	0.83	0.84	0.84	0.84	0.88	0.88	0.89	0.89	0.89	0.94	0.94	0.94	0.94	0.94
110°F	TC	8599	8611	8620	8620	8632	9117	9128	9137	9139	9150	9662	9674	9685	9687	9698	10244	10255	10266	10268	10281
	S/T	0.47	0.55	0.63	0.63	0.71	0.50	0.58	0.66	0.66	0.76	0.53	0.62	0.70	0.70	0.80	0.56	0.66	0.75	0.75	0.85
	PI	0.81	0.81	0.81	0.81	0.82	0.86	0.86	0.86	0.86	0.86	0.91	0.91	0.92	0.92	0.92	0.97	0.97	0.97	0.97	0.97
115°F	TC	7171	7180	7188	7188	7198	7603	7612	7619	7621	7630	8057	8067	8076	8078	8087	8542	8552	8561	8562	8573
	S/T	0.48	0.56	0.63	0.63	0.72	0.50	0.59	0.67	0.67	0.77	0.53	0.63	0.71	0.71	0.81	0.57	0.66	0.75	0.75	0.86
	PI	0.75	0.75	0.75	0.75	0.75	0.79	0.79	0.79	0.79	0.79	0.84	0.84	0.84	0.84	0.84	0.89	0.89	0.89	0.89	0.89
122°F	TC	5266	5273	5279	5279	5286	5583	5590	5596	5597	5603	5917	5925	5931	5932	5939	6274	6280	6287	6288	6296
	S/T	0.49	0.57	0.65	0.65	0.74	0.52	0.60	0.69	0.69	0.78	0.55	0.64	0.73	0.73	0.83	0.58	0.68	0.77	0.77	0.88
	PI	0.66	0.66	0.66	0.66	0.66	0.70	0.70	0.70	0.70	0.70	0.74	0.74	0.74	0.74	0.74	0.78	0.78	0.78	0.78	0.79

9CCHP-HE-SYS-B Expanded Cooling @ 312 CFM

OD DB	ID WB (°F)	60.8 °F					64.4°F					67.0°F					71.6°F				
	ID DB (°F)	73.4 °F	77.0 °F	80.0 °F	80.6 °F	84.2 °F	73.4 °F	77.0 °F	80.0 °F	80.6 °F	84.2 °F	73.4 °F	77.0 °F	80.0 °F	80.6 °F	84.2 °F	73.4 °F	77.0 °F	80.0 °F	80.6 °F	84.2 °F
50°F	TC	8980	8992	9002	9002	9014	9521	9532	9542	9544	9555	10090	10103	10114	10116	10127	10698	10709	10721	10723	10736
	S/T	0.45	0.53	0.60	0.60	0.69	0.48	0.56	0.64	0.64	0.73	0.51	0.60	0.68	0.68	0.77	0.54	0.63	0.72	0.72	0.82
	PI	0.37	0.37	0.37	0.37	0.38	0.40	0.40	0.40	0.40	0.40	0.42	0.42	0.42	0.42	0.42	0.45	0.45	0.45	0.45	0.45
59°F	TC	9121	9133	9143	9143	9156	9671	9682	9692	9694	9705	10248	10262	10273	10275	10287	10866	10878	10890	10891	10905
	S/T	0.46	0.53	0.61	0.61	0.69	0.48	0.57	0.64	0.64	0.73	0.51	0.60	0.68	0.68	0.78	0.54	0.64	0.72	0.72	0.82
	PI	0.40	0.40	0.40	0.40	0.40	0.43	0.43	0.43	0.43	0.43	0.45	0.45	0.45	0.45	0.45	0.48	0.48	0.48	0.48	0.48
68°F	TC	9262	9275	9285	9285	9297	9820	9832	9842	9844	9855	10407	10420	10432	10434	10446	11034	11046	11058	11060	11073
	S/T	0.47	0.55	0.62	0.62	0.71	0.50	0.58	0.66	0.66	0.75	0.53	0.62	0.70	0.70	0.80	0.56	0.65	0.74	0.74	0.85
	PI	0.43	0.43	0.43	0.43	0.43	0.46	0.46	0.46	0.46	0.46	0.48	0.48	0.49	0.49	0.49	0.51	0.51	0.51	0.51	0.51
77°F	TC	9403	9416	9426	9426	9439	9970	9982	9992	9993	10005	10565	10579	10591	10593	10605	11202	11214	11226	11228	11242
	S/T	0.47	0.56	0.63	0.63	0.72	0.50	0.59	0.67	0.67	0.76	0.53	0.62	0.71	0.71	0.81	0.56	0.66	0.75	0.75	0.86
	PI	0.46	0.46	0.46	0.46	0.46	0.49	0.49	0.49	0.49	0.49	0.52	0.52	0.52	0.52	0.52	0.55	0.55	0.55	0.55	0.55
80°F	TC	9483	9495	9506	9506	9519	10054	10066	10076	10078	10090	10655	10669	10680	10682	10694	11297	11309	11321	11323	11337
	S/T	0.48	0.56	0.64	0.64	0.73	0.51	0.60	0.68	0.68	0.77	0.54	0.63	0.72	0.72	0.82	0.57	0.67	0.76	0.76	0.87
	PI	0.51	0.51	0.51	0.51	0.52	0.54	0.55	0.55	0.55	0.55	0.58	0.58	0.58	0.58	0.58	0.61	0.61	0.61	0.61	0.61
86°F	TC	9548	9560	9571	9571	9584	10123	10135	10145	10147	10159	10728	10742	10754	10756	10768	11374	11386	11399	11401	11415
	S/T	0.49	0.57	0.65	0.65	0.74	0.52	0.60	0.69	0.69	0.78	0.55	0.64	0.73	0.73	0.83	0.58	0.68	0.77	0.77	0.88
	PI	0.61	0.61	0.61	0.61	0.61	0.64	0.64	0.64	0.64	0.65	0.68	0.68	0.68	0.68	0.68	0.72	0.72	0.72	0.72	0.73
95°F	TC	9693	9707	9717	9717	9731	10278	10290	10300	10302	10314	10892	10906	10918	10920	10932	11548	11560	11573	11575	11589
	S/T	0.49	0.57	0.65	0.65	0.74	0.52	0.60	0.69	0.69	0.78	0.55	0.64	0.73	0.73	0.83	0.58	0.68	0.77	0.77	0.88
	PI	0.82	0.82	0.82	0.82	0.82	0.87	0.87	0.87	0.87	0.87	0.92	0.92	0.92	0.92	0.92	0.97	0.97	0.97	0.97	0.98
104°F	TC	9542	9555	9565	9566	9578	10117	10129	10139	10141	10153	10722	10735	10747	10749	10761	11368	11380	11392	11394	11408
	S/T	0.50	0.58	0.66	0.66	0.76	0.53	0.62	0.70	0.70	0.80	0.56	0.66	0.75	0.75	0.85	0.59	0.70	0.79	0.79	0.90
	PI	0.86	0.87	0.87	0.87	0.87	0.92	0.92	0.92	0.92	0.92	0.97	0.97	0.97	0.97	0.97	1.03	1.03	1.03	1.03	1.03
110°F	TC	9451	9464	9474	9474	9487	10021	10033	10043	10044	10056	10619	10633	10645	10647	10659	11259	11271	11284	11286	11300
	S/T	0.52	0.61	0.69	0.69	0.78	0.55	0.64	0.73	0.73	0.83	0.58	0.68	0.77	0.77	0.88	0.61	0.72	0.82	0.82	0.93
	PI	0.89	0.89	0.90	0.90	0.90	0.95	0.95	0.95	0.95	0.95	1.00	1.00	1.01	1.01	1.01	1.06	1.06	1.07	1.07	1.07
115°F	TC	7881	7892	7900	7901	7911	8356	8366	8374	8376	8386	8855	8867	8877	8878	8888	9389	9399	9409	9411	9423
	S/T	0.52	0.61	0.70	0.70	0.79	0.55	0.65	0.74	0.74	0.84	0.59	0.69	0.78	0.78	0.89	0.62	0.73	0.83	0.83	0.95
	PI	0.82	0.82	0.82	0.82	0.82	0.87	0.87	0.87	0.87	0.87	0.92	0.92	0.92	0.92	0.92	0.98	0.98	0.98	0.98	0.98
122°F	TC	5788	5796	5802	5802	5810	6137	6144	6150	6151	6159	6503	6512	6519	6520	6528	6895	6903	6910	6911	6920
	S/T	0.53	0.63	0.71	0.71	0.81	0.57	0.66	0.76	0.76	0.86	0.60	0.70	0.80	0.80	0.91	0.64	0.75	0.85	0.85	0.97
	PI	0.72	0.72	0.72	0.72	0.72	0.77	0.77	0.77	0.77	0.77	0.81	0.81	0.81	0.81	0.81	0.86	0.86	0.86	0.86	0.86

9CCHP-HE-SYS-B Expanded Cooling @ 353 CFM

OD DB	ID WB (°F)	60.8 °F					64.4°F					67.0°F					71.6°F				
	ID DB (°F)	73.4 °F	77.0 °F	80.0 °F	80.6 °F	84.2 °F	73.4 °F	77.0 °F	80.0 °F	80.6 °F	84.2 °F	73.4 °F	77.0 °F	80.0 °F	80.6 °F	84.2 °F	73.4 °F	77.0 °F	80.0 °F	80.6 °F	84.2 °F
50°F	TC	9870	9883	9894	9894	9907	10465	10477	10487	10489	10502	11090	11104	11117	11119	11131	11758	11771	11784	11785	11800
	S/T	0.50	0.58	0.66	0.66	0.76	0.53	0.62	0.70	0.70	0.80	0.56	0.66	0.75	0.75	0.85	0.59	0.70	0.79	0.79	0.90
	PI	0.41	0.41	0.41	0.41	0.41	0.44	0.44	0.44	0.44	0.44	0.46	0.46	0.46	0.46	0.46	0.49	0.49	0.49	0.49	0.49
59°F	TC	10025	10038	10049	10050	10063	10629	10642	10652	10654	10667	11264	11279	11291	11293	11306	11943	11956	11969	11971	11985
	S/T	0.50	0.59	0.67	0.67	0.76	0.53	0.62	0.71	0.71	0.81	0.56	0.66	0.75	0.75	0.86	0.60	0.70	0.80	0.80	0.91
	PI	0.44	0.44	0.44	0.44	0.44	0.47	0.47	0.47	0.47	0.47	0.50	0.50	0.50	0.50	0.50	0.53	0.53	0.53	0.53	0.53
68°F	TC	10180	10194	10205	10205	10219	10793	10806	10817	10819	10832	11438	11453	11466	11468	11481	12127	12141	12154	12156	12171
	S/T	0.51	0.60	0.69	0.69	0.78	0.54	0.64	0.73	0.73	0.83	0.58	0.68	0.77	0.77	0.88	0.61	0.72	0.82	0.82	0.93
	PI	0.47	0.47	0.47	0.47	0.48	0.50	0.50	0.50	0.50	0.50	0.53	0.53	0.53	0.53	0.53	0.56	0.56	0.57	0.57	0.57
77°F	TC	10335	10349	10360	10361	10375	10958	10971	10982	10984	10997	11613	11628	11641	11643	11656	12312	12326	12339	12341	12356
	S/T	0.52	0.61	0.69	0.69	0.79	0.55	0.65	0.74	0.74	0.84	0.59	0.69	0.78	0.78	0.89	0.62	0.73	0.83	0.83	0.94
	PI	0.50	0.51	0.51	0.51	0.51	0.53	0.54	0.54	0.54	0.54	0.57	0.57	0.57	0.57	0.57	0.60	0.60	0.60	0.60	0.60
80°F	TC	10422	10436	10448	10448	10462	11050	11064	11074	11077	11090	11711	11726	11739	11741	11754	12416	12430	12443	12445	12461
	S/T	0.53	0.62	0.70	0.70	0.80	0.56	0.66	0.75	0.75	0.85	0.59	0.70	0.79	0.79	0.90	0.63	0.74	0.84	0.84	0.95
	PI	0.56	0.57	0.57	0.57	0.57	0.60	0.60	0.60	0.60	0.60	0.63	0.64	0.64	0.64	0.64	0.67	0.67	0.67	0.67	0.67
86°F	TC	10494	10508	10519	10520	10534	11126	11139	11150	11152	11166	11791	11806	11819	11821	11835	12501	12515	12528	12530	12546
	S/T	0.53	0.63	0.71	0.71	0.81	0.57	0.66	0.75	0.75	0.86	0.60	0.70	0.80	0.80	0.91	0.64	0.75	0.85	0.85	0.97
	PI	0.67	0.67	0.67	0.67	0.67	0.71	0.71	0.71	0.71	0.71	0.75	0.75	0.75	0.75	0.75	0.79	0.80	0.80	0.80	0.80
95°F	TC	10654	10668	10680	10680	10695	11296	11310	11321	11323	11336	11971	11987	12000	12002	12016	12692	12706	12720	12722	12738
	S/T	0.53	0.63	0.71	0.71	0.81	0.57	0.66	0.75	0.75	0.86	0.60	0.70	0.80	0.80	0.91	0.64	0.75	0.85	0.85	0.97
	PI	0.90	0.90	0.90	0.90	0.90	0.95	0.95	0.95	0.95	0.95	1.01	1.01	1.01	1.01	1.01	1.07	1.07	1.07	1.07	1.07
104°F	TC	10488	10502	10513	10514	10528	11120	11133	11144	11146	11159	11784	11799	11813	11815	11828	12494	12508	12521	12523	12539
	S/T	0.55	0.64	0.73	0.73	0.83	0.58	0.68	0.77	0.77	0.88	0.62	0.72	0.82	0.82	0.93	0.65	0.76	0.87	0.87	0.99
	PI	0.95	0.95	0.95	0.95	0.95	1.01	1.01	1.01	1.01	1.01	1.07	1.07	1.07	1.07	1.07	1.13	1.13	1.13	1.13	1.14
110°F	TC	10388	10402	10413	10413	10427	11014	11027	11038	11040	11053	11672	11687	11700	11702	11715	12375	12389	12402	12404	12419
	S/T	0.57	0.67	0.76	0.76	0.86	0.60	0.71	0.80	0.80	0.91	0.64	0.75	0.85	0.85	0.97	0.68	0.79	0.90	0.90	1.00
	PI	0.98	0.98	0.98	0.98	0.99	1.04	1.04	1.04	1.04	1.04	1.10	1.10	1.11	1.11	1.11	1.17	1.17	1.17	1.17	1.17
115°F	TC	8662	8674	8683	8684	8695	9184	9195	9204	9206	9217	9733	9746	9757	9758	9769	10319	10331	10342	10344	10356
	S/T	0.57	0.67	0.77	0.77	0.87	0.61	0.71	0.81	0.81	0.92	0.65	0.76	0.86	0.86	0.98	0.68	0.80	0.91	0.91	1.00
	PI	0.90	0.90	0.90	0.90	0.90	0.96	0.96	0.96	0.96	0.96	1.01	1.01	1.01	1.01	1.02	1.07	1.07	1.08	1.08	1.08
122°F	TC	6362	6370	6377	6377	6386	6745	6753	6760	6761	6769	7148	7157	7165	7167	7175	7579	7587	7595	7596	7606
	S/T	0.59	0.69	0.78	0.78	0.89	0.62	0.73	0.83	0.83	0.95	0.66	0.77	0.88	0.88	1.00	0.70	0.82	0.93	0.93	1.00
	PI	0.79	0.79	0.80	0.80	0.80	0.84	0.84	0.84	0.84	0.84	0.89	0.89	0.89	0.89	0.89	0.95	0.95	0.95	0.95	0.95

9CCHP-HE-SYS-B Expanded Heating @ 182 CFM

CFM	HEATING PERFORMANCE AT INDOOR DRY BULB TEMPERATURE										
	ODDB	TC : Total Heating Capacity(BTU/hr)					PI : Power Input(kW)				
		Indoor Conditions (DB °F)					Indoor Conditions (DB °F)				
		60.8°F	68°F	70°F	71.6°F	75.2°F	60.8°F	68°F	70°F	71.6°F	75.2°F
182	-22°F	/	/	/	/	/	/	/	/	/	/
	-13°F	3785	3709	3690	3396	3365	0.90	0.91	0.91	0.91	0.92
	-4°F	4712	4617	4594	4228	4190	0.95	0.96	0.96	0.97	0.97
	0°F	5467	5357	5331	4905	4861	1.01	1.02	1.02	1.02	1.02
	5°F	6411	6283	6251	5752	5701	1.08	1.09	1.09	1.09	1.09
	14°F	6990	6850	6816	6272	6216	1.04	1.05	1.05	1.05	1.06
	17°F	7183	7040	7004	6445	6387	1.03	1.04	1.04	1.04	1.05
	22°F	7604	7452	7414	6823	6761	1.06	1.06	1.07	1.07	1.07
	27°F	8024	7864	7824	7200	7135	1.08	1.09	1.09	1.09	1.10
	32°F	8445	8276	8234	7577	7509	1.11	1.11	1.12	1.12	1.12
	35°F	8697	8523	8480	7804	7733	1.12	1.13	1.13	1.13	1.14
	37°F	9011	8831	8787	8085	8013	1.11	1.12	1.12	1.12	1.13
	42°F	9796	9600	9552	8790	8711	1.09	1.10	1.10	1.10	1.11
	44.6°F	10111	9908	9859	9072	8990	1.08	1.09	1.09	1.09	1.10
	47°F	10582	10370	10318	9495	9409	1.07	1.07	1.08	1.08	1.08
	52°F	10473	10263	10212	9397	9312	0.98	0.99	0.99	0.99	0.99
	57°F	10364	10156	10106	9299	9216	0.89	0.90	0.90	0.90	0.90
59°F	10320	10114	10063	9260	9177	0.85	0.86	0.86	0.86	0.87	
62°F	10255	10050	9999	9201	9119	0.80	0.81	0.81	0.81	0.81	
64.4°F	10211	10007	9957	9162	9080	0.76	0.77	0.77	0.77	0.78	

9CCHP-HE-SYS-B Expanded Heating @ 265 CFM

CFM	HEATING PERFORMANCE AT INDOOR DRY BULB TEMPERATURE										
	ODDB	TC : Total Heating Capacity(BTU/hr)					PI : Power Input(kW)				
		Indoor Conditions (DB °F)					Indoor Conditions (DB °F)				
		60.8°F	68°F	70°F	71.6°F	75.2°F	60.8°F	68°F	70°F	71.6°F	75.2°F
265	-22°F	/	/	/	/	/	/	/	/	/	/
	-13°F	4160	4077	4056	3883	3848	0.91	0.92	0.92	0.92	0.93
	-4°F	5179	5075	5050	4834	4791	0.96	0.97	0.97	0.98	0.98
	0°F	6009	5888	5859	5609	5559	1.02	1.03	1.03	1.03	1.04
	5°F	7046	6905	6871	6578	6518	1.09	1.10	1.10	1.10	1.11
	14°F	7683	7529	7492	7172	7108	1.05	1.06	1.06	1.07	1.07
	17°F	7895	7737	7699	7370	7304	1.04	1.05	1.05	1.05	1.06
	22°F	8357	8190	8149	7802	7731	1.07	1.07	1.08	1.08	1.08
	27°F	8819	8643	8600	8233	8159	1.09	1.10	1.10	1.10	1.11
	32°F	9281	9096	9050	8664	8586	1.12	1.13	1.13	1.13	1.13
	35°F	9559	9367	9321	8923	8843	1.13	1.14	1.14	1.15	1.15
	37°F	9904	9706	9657	9245	9162	1.12	1.13	1.13	1.14	1.14
	42°F	10767	10552	10499	10051	9961	1.10	1.11	1.11	1.11	1.12
	44.6°F	11112	10890	10836	10374	10280	1.09	1.10	1.10	1.10	1.11
	47°F	11630	11398	11341	10857	10759	1.08	1.09	1.09	1.09	1.09
	52°F	11511	11280	11224	10745	10649	0.99	1.00	1.00	1.00	1.00
	57°F	11391	11163	11107	10633	10538	0.90	0.91	0.91	0.91	0.91
	59°F	11343	11116	11060	10589	10493	0.86	0.87	0.87	0.87	0.88
62°F	11271	11045	10990	10521	10427	0.81	0.81	0.82	0.82	0.82	
64.4°F	11223	10998	10943	10477	10382	0.77	0.78	0.78	0.78	0.78	

9CCHP-HE-SYS-B Expanded Heating @ 312 CFM

CFM	HEATING PERFORMANCE AT INDOOR DRY BULB TEMPERATURE										
	ODDB	TC : Total Heating Capacity(BTU/hr)					PI : Power Input(kW)				
		Indoor Conditions (DB °F)					Indoor Conditions (DB °F)				
		60.8°F	68°F	70°F	71.6°F	75.2°F	60.8°F	68°F	70°F	71.6°F	75.2°F
312	-22°F	/	/	/	/	/	/	/	/	/	/
	-13°F	4572	4481	4458	4440	4400	0.92	0.93	0.93	0.93	0.93
	-4°F	5692	5578	5550	5528	5478	0.97	0.98	0.98	0.99	0.99
	0°F	6604	6472	6440	6414	6356	1.03	1.04	1.04	1.04	1.05
	5°F	7744	7590	7552	7521	7454	1.10	1.11	1.11	1.11	1.12
	14°F	8444	8275	8234	8201	8127	1.06	1.07	1.07	1.08	1.08
	17°F	8678	8504	8461	8428	8352	1.05	1.06	1.06	1.06	1.07
	22°F	9185	9002	8957	8921	8841	1.08	1.09	1.09	1.09	1.09
	27°F	9693	9499	9452	9414	9329	1.10	1.11	1.11	1.12	1.12
	32°F	10201	9997	9947	9907	9818	1.13	1.14	1.14	1.14	1.15
	35°F	10506	10296	10244	10203	10112	1.14	1.15	1.15	1.16	1.16
	37°F	10885	10668	10614	10572	10477	1.13	1.14	1.15	1.15	1.15
	42°F	11834	11598	11540	11493	11390	1.11	1.12	1.12	1.12	1.13
	44.6°F	12214	11969	11910	11862	11755	1.10	1.11	1.11	1.12	1.12
	47°F	12783	12527	12465	12415	12303	1.09	1.10	1.10	1.10	1.11
	52°F	12651	12398	12336	12287	12176	1.00	1.01	1.01	1.01	1.01
	57°F	12520	12269	12208	12159	12050	0.91	0.91	0.92	0.92	0.92
59°F	12467	12218	12156	12108	11999	0.87	0.88	0.88	0.88	0.88	
62°F	12388	12140	12079	12031	11923	0.82	0.82	0.82	0.83	0.83	
64.4°F	12335	12088	12028	11980	11872	0.78	0.79	0.79	0.79	0.79	

9CCHP-HE-SYS-B Expanded Heating @ 353 CFM

CFM	HEATING PERFORMANCE AT INDOOR DRY BULB TEMPERATURE										
	ODDB	TC : Total Heating Capacity(BTU/hr)					PI : Power Input(kW)				
		Indoor Conditions (DB °F)					Indoor Conditions (DB °F)				
		60.8°F	68°F	70°F	71.6°F	75.2°F	60.8°F	68°F	70°F	71.6°F	75.2°F
353	-22°F	/	/	/	/	/	/	/	/	/	/
	-13°F	5025	4925	4900	4880	4836	0.93	0.94	0.94	0.94	0.94
	-4°F	6256	6131	6100	6076	6021	0.98	0.99	0.99	1.00	1.00
	0°F	7259	7113	7078	7049	6986	1.04	1.05	1.05	1.05	1.06
	5°F	8512	8342	8300	8267	8192	1.11	1.12	1.12	1.12	1.13
	14°F	9281	9095	9050	9014	8933	1.07	1.08	1.09	1.09	1.09
	17°F	9537	9347	9300	9263	9179	1.06	1.07	1.07	1.08	1.08
	22°F	10096	9894	9844	9805	9717	1.09	1.10	1.10	1.10	1.11
	27°F	10654	10441	10389	10347	10254	1.11	1.12	1.12	1.13	1.13
	32°F	11212	10988	10933	10889	10791	1.14	1.15	1.15	1.15	1.16
	35°F	11547	11316	11260	11215	11114	1.15	1.16	1.17	1.17	1.17
	37°F	11964	11725	11666	11620	11515	1.15	1.15	1.16	1.16	1.16
	42°F	13007	12747	12683	12632	12519	1.12	1.13	1.13	1.14	1.14
	44.6°F	13424	13156	13090	13038	12920	1.11	1.12	1.12	1.13	1.13
	47°F	14050	13769	13700	13645	13522	1.10	1.11	1.11	1.11	1.12
	52°F	13905	13627	13559	13505	13383	1.01	1.02	1.02	1.02	1.02
	57°F	13760	13485	13418	13364	13244	0.92	0.92	0.93	0.93	0.93
	59°F	13702	13428	13361	13308	13188	0.88	0.89	0.89	0.89	0.89
62°F	13615	13343	13276	13223	13104	0.82	0.83	0.83	0.83	0.84	
64.4°F	13558	13286	13220	13167	13049	0.79	0.79	0.80	0.80	0.80	

12CCHP-HE-SYS-B Expanded Cooling @ 194 CFM

OD DB	ID WB (°F)	60.8 °F					64.4°F					67.0°F					71.6°F				
	ID DB (°F)	73.4 °F	77.0 °F	80.0 °F	80.6 °F	84.2 °F	73.4 °F	77.0 °F	80.0 °F	80.6 °F	84.2 °F	73.4 °F	77.0 °F	80.0 °F	80.6 °F	84.2 °F	73.4 °F	77.0 °F	80.0 °F	80.6 °F	84.2 °F
50°F	TC	8154	8165	8173	8174	8185	8645	8655	8664	8665	8676	9161	9173	9184	9185	9196	9713	9724	9735	9736	9748
	S/T	0.36	0.43	0.48	0.48	0.55	0.38	0.45	0.51	0.51	0.58	0.41	0.48	0.54	0.54	0.62	0.43	0.51	0.58	0.58	0.66
	PI	0.30	0.30	0.30	0.30	0.30	0.31	0.32	0.32	0.32	0.32	0.33	0.33	0.33	0.33	0.34	0.35	0.35	0.35	0.35	0.36
59°F	TC	7975	7986	7995	7995	8006	8456	8466	8474	8476	8486	8961	8973	8983	8985	8995	9501	9512	9522	9523	9535
	S/T	0.36	0.43	0.49	0.49	0.55	0.39	0.45	0.51	0.51	0.59	0.41	0.48	0.55	0.55	0.62	0.43	0.51	0.58	0.58	0.66
	PI	0.32	0.32	0.32	0.32	0.32	0.34	0.34	0.34	0.34	0.34	0.36	0.36	0.36	0.36	0.36	0.38	0.38	0.38	0.38	0.38
68°F	TC	7797	7808	7816	7816	7827	8267	8277	8285	8287	8297	8761	8772	8782	8784	8794	9289	9299	9309	9311	9322
	S/T	0.37	0.44	0.50	0.50	0.57	0.40	0.47	0.53	0.53	0.60	0.42	0.49	0.56	0.56	0.64	0.45	0.52	0.59	0.59	0.68
	PI	0.34	0.34	0.34	0.34	0.34	0.36	0.36	0.37	0.37	0.37	0.39	0.39	0.39	0.39	0.39	0.41	0.41	0.41	0.41	0.41
77°F	TC	7619	7629	7638	7638	7648	8078	8088	8096	8097	8107	8561	8572	8582	8583	8593	9077	9087	9096	9098	9109
	S/T	0.38	0.44	0.51	0.51	0.58	0.40	0.47	0.54	0.54	0.61	0.43	0.50	0.57	0.57	0.65	0.45	0.53	0.60	0.60	0.69
	PI	0.37	0.37	0.37	0.37	0.37	0.39	0.39	0.39	0.39	0.39	0.41	0.41	0.41	0.41	0.41	0.44	0.44	0.44	0.44	0.44
80°F	TC	7760	7770	7779	7779	7789	8227	8237	8245	8247	8257	8719	8730	8740	8742	8751	9244	9254	9264	9266	9277
	S/T	0.38	0.45	0.51	0.51	0.58	0.41	0.48	0.54	0.54	0.62	0.43	0.51	0.57	0.57	0.66	0.46	0.54	0.61	0.61	0.69
	PI	0.42	0.42	0.42	0.42	0.42	0.45	0.45	0.45	0.45	0.45	0.48	0.48	0.48	0.48	0.48	0.50	0.50	0.51	0.51	0.51
86°F	TC	8175	8186	8195	8195	8206	8668	8678	8686	8688	8698	9185	9197	9208	9209	9220	9739	9749	9760	9762	9774
	S/T	0.39	0.46	0.52	0.52	0.59	0.41	0.48	0.55	0.55	0.63	0.44	0.51	0.58	0.58	0.66	0.46	0.54	0.62	0.62	0.70
	PI	0.52	0.52	0.52	0.52	0.53	0.56	0.56	0.56	0.56	0.56	0.59	0.59	0.59	0.59	0.59	0.62	0.62	0.63	0.63	0.63
95°F	TC	9109	9121	9131	9131	9144	9658	9669	9679	9681	9692	10235	10248	10260	10262	10273	10852	10863	10875	10877	10890
	S/T	0.39	0.46	0.52	0.52	0.59	0.41	0.48	0.55	0.55	0.63	0.44	0.51	0.58	0.58	0.66	0.46	0.54	0.62	0.62	0.70
	PI	0.75	0.75	0.75	0.75	0.75	0.79	0.80	0.80	0.80	0.80	0.84	0.84	0.84	0.84	0.85	0.89	0.89	0.89	0.89	0.90
104°F	TC	8140	8151	8160	8160	8171	8630	8641	8649	8651	8661	9146	9158	9168	9170	9180	9697	9708	9718	9720	9732
	S/T	0.40	0.47	0.53	0.53	0.61	0.42	0.50	0.56	0.56	0.64	0.45	0.53	0.60	0.60	0.68	0.47	0.56	0.63	0.63	0.72
	PI	0.74	0.74	0.74	0.74	0.74	0.78	0.79	0.79	0.79	0.79	0.83	0.83	0.83	0.83	0.83	0.88	0.88	0.88	0.88	0.88
110°F	TC	7558	7569	7577	7577	7587	8014	8023	8031	8033	8043	8493	8504	8513	8515	8524	9004	9014	9024	9025	9037
	S/T	0.41	0.48	0.55	0.55	0.63	0.44	0.51	0.58	0.58	0.67	0.46	0.54	0.62	0.62	0.71	0.49	0.58	0.66	0.66	0.75
	PI	0.73	0.74	0.74	0.74	0.74	0.78	0.78	0.78	0.78	0.78	0.82	0.83	0.83	0.83	0.83	0.87	0.88	0.88	0.88	0.88
115°F	TC	6184	6192	6199	6199	6208	6557	6564	6571	6572	6580	6948	6957	6965	6966	6974	7367	7375	7383	7384	7393
	S/T	0.42	0.49	0.56	0.56	0.63	0.44	0.52	0.59	0.59	0.67	0.47	0.55	0.63	0.63	0.71	0.50	0.58	0.66	0.66	0.76
	PI	0.66	0.66	0.67	0.67	0.67	0.70	0.70	0.71	0.71	0.71	0.75	0.75	0.75	0.75	0.75	0.79	0.79	0.79	0.79	0.79
122°F	TC	4351	4357	4362	4362	4368	4613	4619	4623	4624	4630	4889	4895	4901	4902	4907	5184	5189	5195	5196	5202
	S/T	0.43	0.50	0.57	0.57	0.65	0.45	0.53	0.60	0.60	0.69	0.48	0.56	0.64	0.64	0.73	0.51	0.60	0.68	0.68	0.77
	PI	0.57	0.57	0.57	0.57	0.57	0.60	0.60	0.60	0.61	0.61	0.64	0.64	0.64	0.64	0.64	0.68	0.68	0.68	0.68	0.68

12CCHP-HE-SYS-B Expanded Cooling @ 306 CFM

OD DB	ID WB (°F)	60.8 °F					64.4°F					67.0°F					71.6°F				
	ID DB (°F)	73.4 °F	77.0 °F	80.0 °F	80.6 °F	84.2 °F	73.4 °F	77.0 °F	80.0 °F	80.6 °F	84.2 °F	73.4 °F	77.0 °F	80.0 °F	80.6 °F	84.2 °F	73.4 °F	77.0 °F	80.0 °F	80.6 °F	84.2 °F
50°F	TC	9065	9077	9087	9088	9100	9612	9623	9632	9634	9646	10186	10199	10210	10212	10224	10799	10811	10823	10825	10838
	S/T	0.40	0.47	0.54	0.54	0.61	0.43	0.50	0.57	0.57	0.65	0.45	0.53	0.60	0.60	0.69	0.48	0.56	0.64	0.64	0.73
	PI	0.33	0.33	0.33	0.33	0.33	0.35	0.35	0.35	0.35	0.35	0.37	0.37	0.37	0.37	0.37	0.39	0.39	0.39	0.39	0.39
59°F	TC	8867	8879	8889	8889	8901	9401	9413	9422	9424	9435	9963	9976	9987	9989	10000	10563	10575	10586	10588	10601
	S/T	0.40	0.48	0.54	0.54	0.62	0.43	0.50	0.57	0.57	0.65	0.46	0.53	0.61	0.61	0.69	0.48	0.57	0.64	0.64	0.73
	PI	0.36	0.36	0.36	0.36	0.36	0.38	0.38	0.38	0.38	0.38	0.40	0.40	0.40	0.40	0.40	0.42	0.42	0.43	0.43	0.43
68°F	TC	8669	8681	8690	8690	8702	9191	9202	9211	9213	9224	9741	9753	9764	9766	9777	10327	10339	10350	10352	10364
	S/T	0.42	0.49	0.55	0.55	0.63	0.44	0.52	0.59	0.59	0.67	0.47	0.55	0.62	0.62	0.71	0.50	0.58	0.66	0.66	0.75
	PI	0.38	0.38	0.38	0.38	0.38	0.40	0.41	0.41	0.41	0.41	0.43	0.43	0.43	0.43	0.43	0.46	0.46	0.46	0.46	0.46
77°F	TC	8471	8482	8491	8492	8503	8981	8992	9001	9003	9013	9518	9530	9541	9543	9553	10091	10102	10113	10115	10128
	S/T	0.42	0.49	0.56	0.56	0.64	0.45	0.52	0.60	0.60	0.68	0.47	0.56	0.63	0.63	0.72	0.50	0.59	0.67	0.67	0.76
	PI	0.41	0.41	0.41	0.41	0.41	0.43	0.43	0.43	0.43	0.43	0.46	0.46	0.46	0.46	0.46	0.49	0.49	0.49	0.49	0.49
80°F	TC	8627	8639	8648	8649	8660	9147	9158	9167	9169	9180	9694	9706	9717	9719	9730	10278	10289	10300	10302	10315
	S/T	0.43	0.50	0.57	0.57	0.65	0.45	0.53	0.60	0.60	0.69	0.48	0.56	0.64	0.64	0.73	0.51	0.60	0.68	0.68	0.77
	PI	0.47	0.47	0.47	0.47	0.47	0.50	0.50	0.50	0.50	0.50	0.53	0.53	0.53	0.53	0.53	0.56	0.56	0.56	0.56	0.56
86°F	TC	9089	9101	9111	9111	9124	9637	9648	9658	9660	9671	10212	10226	10237	10239	10250	10828	10840	10851	10853	10867
	S/T	0.43	0.51	0.58	0.58	0.66	0.46	0.54	0.61	0.61	0.70	0.49	0.57	0.65	0.65	0.74	0.51	0.60	0.69	0.69	0.78
	PI	0.58	0.58	0.58	0.58	0.58	0.62	0.62	0.62	0.62	0.62	0.65	0.66	0.66	0.66	0.66	0.69	0.69	0.70	0.70	0.70
95°F	TC	10127	10141	10152	10152	10166	10738	10750	10761	10763	10776	11379	11394	11407	11409	11422	12065	12078	12091	12093	12108
	S/T	0.43	0.51	0.58	0.58	0.66	0.46	0.54	0.61	0.61	0.70	0.49	0.57	0.65	0.65	0.74	0.51	0.60	0.69	0.69	0.78
	PI	0.83	0.83	0.84	0.84	0.84	0.88	0.88	0.89	0.89	0.89	0.94	0.94	0.94	0.94	0.94	0.99	0.99	0.99	0.99	1.00
104°F	TC	9050	9062	9072	9072	9085	9595	9607	9616	9618	9630	10169	10182	10193	10195	10206	10781	10793	10805	10807	10820
	S/T	0.44	0.52	0.59	0.59	0.67	0.47	0.55	0.63	0.63	0.71	0.50	0.58	0.66	0.66	0.76	0.53	0.62	0.70	0.70	0.80
	PI	0.82	0.82	0.82	0.82	0.83	0.87	0.87	0.87	0.87	0.88	0.92	0.93	0.93	0.93	0.93	0.98	0.98	0.98	0.98	0.98
110°F	TC	8404	8415	8424	8424	8436	8910	8921	8929	8931	8942	9442	9455	9465	9467	9477	10011	10022	10033	10035	10047
	S/T	0.46	0.54	0.61	0.61	0.70	0.49	0.57	0.65	0.65	0.74	0.52	0.61	0.69	0.69	0.78	0.55	0.64	0.73	0.73	0.83
	PI	0.82	0.82	0.82	0.82	0.82	0.87	0.87	0.87	0.87	0.87	0.92	0.92	0.92	0.92	0.92	0.97	0.97	0.97	0.97	0.98
115°F	TC	6875	6885	6892	6892	6902	7290	7298	7306	7307	7316	7725	7735	7744	7745	7754	8191	8200	8208	8210	8220
	S/T	0.46	0.54	0.62	0.62	0.71	0.49	0.58	0.66	0.66	0.75	0.52	0.61	0.70	0.70	0.79	0.55	0.65	0.74	0.74	0.84
	PI	0.74	0.74	0.74	0.74	0.74	0.78	0.78	0.78	0.78	0.78	0.83	0.83	0.83	0.83	0.83	0.88	0.88	0.88	0.88	0.88
122°F	TC	4838	4844	4849	4850	4856	5129	5135	5140	5141	5147	5436	5443	5449	5450	5456	5763	5769	5776	5777	5784
	S/T	0.48	0.56	0.63	0.63	0.72	0.50	0.59	0.67	0.67	0.77	0.53	0.63	0.71	0.71	0.81	0.57	0.66	0.75	0.75	0.86
	PI	0.63	0.63	0.63	0.63	0.64	0.67	0.67	0.67	0.67	0.67	0.71	0.71	0.71	0.71	0.71	0.75	0.75	0.76	0.76	0.76

12CCHP-HE-SYS-B Expanded Cooling @ 365 CFM

OD DB	ID WB (°F)	60.8 °F					64.4°F					67.0°F					71.6°F				
	ID DB (°F)	73.4 °F	77.0 °F	80.0 °F	80.6 °F	84.2 °F	73.4 °F	77.0 °F	80.0 °F	80.6 °F	84.2 °F	73.4 °F	77.0 °F	80.0 °F	80.6 °F	84.2 °F	73.4 °F	77.0 °F	80.0 °F	80.6 °F	84.2 °F
50°F	TC	10079	10092	10103	10104	10117	10686	10699	10709	10712	10724	11325	11339	11352	11354	11367	12007	12020	12033	12035	12050
	S/T	0.45	0.53	0.60	0.60	0.68	0.47	0.56	0.63	0.63	0.72	0.50	0.59	0.67	0.67	0.77	0.53	0.63	0.71	0.71	0.81
	PI	0.37	0.37	0.37	0.37	0.37	0.39	0.39	0.39	0.39	0.39	0.41	0.41	0.41	0.41	0.41	0.44	0.44	0.44	0.44	0.44
59°F	TC	9859	9872	9882	9883	9896	10453	10465	10475	10477	10490	11077	11092	11104	11106	11118	11745	11757	11770	11772	11787
	S/T	0.45	0.53	0.60	0.60	0.68	0.48	0.56	0.64	0.64	0.73	0.51	0.59	0.67	0.67	0.77	0.54	0.63	0.72	0.72	0.82
	PI	0.40	0.40	0.40	0.40	0.40	0.42	0.42	0.42	0.42	0.42	0.44	0.45	0.45	0.45	0.45	0.47	0.47	0.47	0.47	0.47
68°F	TC	9638	9651	9662	9662	9675	10219	10231	10241	10243	10256	10830	10844	10856	10858	10870	11482	11495	11507	11509	11523
	S/T	0.46	0.54	0.62	0.62	0.70	0.49	0.57	0.65	0.65	0.74	0.52	0.61	0.69	0.69	0.79	0.55	0.65	0.73	0.73	0.84
	PI	0.42	0.43	0.43	0.43	0.43	0.45	0.45	0.45	0.45	0.45	0.48	0.48	0.48	0.48	0.48	0.51	0.51	0.51	0.51	0.51
77°F	TC	9418	9431	9441	9441	9454	9986	9997	10007	10009	10021	10582	10596	10608	10610	10622	11220	11232	11244	11246	11260
	S/T	0.47	0.55	0.62	0.62	0.71	0.50	0.58	0.66	0.66	0.75	0.53	0.62	0.70	0.70	0.80	0.56	0.65	0.74	0.74	0.85
	PI	0.45	0.45	0.45	0.45	0.46	0.48	0.48	0.48	0.48	0.48	0.51	0.51	0.51	0.51	0.51	0.54	0.54	0.54	0.54	0.54
80°F	TC	9592	9605	9615	9616	9629	10170	10182	10192	10194	10206	10778	10792	10804	10806	10818	11427	11439	11452	11454	11468
	S/T	0.47	0.56	0.63	0.63	0.72	0.50	0.59	0.67	0.67	0.76	0.53	0.63	0.71	0.71	0.81	0.56	0.66	0.75	0.75	0.86
	PI	0.52	0.52	0.52	0.52	0.53	0.55	0.56	0.56	0.56	0.56	0.59	0.59	0.59	0.59	0.59	0.62	0.62	0.62	0.62	0.63
86°F	TC	10105	10119	10130	10130	10144	10714	10727	10737	10740	10752	11354	11369	11382	11384	11396	12038	12051	12065	12066	12081
	S/T	0.48	0.56	0.64	0.64	0.73	0.51	0.60	0.68	0.68	0.77	0.54	0.63	0.72	0.72	0.82	0.57	0.67	0.76	0.76	0.87
	PI	0.65	0.65	0.65	0.65	0.65	0.69	0.69	0.69	0.69	0.69	0.73	0.73	0.73	0.73	0.73	0.77	0.77	0.77	0.77	0.77
95°F	TC	11260	11275	11287	11287	11303	11938	11952	11964	11967	11981	12652	12668	12682	12684	12699	13414	13428	13443	13445	13462
	S/T	0.48	0.56	0.64	0.64	0.73	0.51	0.60	0.68	0.68	0.77	0.54	0.63	0.72	0.72	0.82	0.57	0.67	0.76	0.76	0.87
	PI	0.93	0.93	0.93	0.93	0.93	0.98	0.98	0.98	0.98	0.99	1.04	1.04	1.04	1.04	1.04	1.10	1.10	1.11	1.11	1.11
104°F	TC	10062	10075	10086	10087	10100	10668	10681	10691	10694	10706	11306	11320	11333	11335	11348	11987	12000	12013	12015	12030
	S/T	0.49	0.58	0.66	0.66	0.75	0.52	0.61	0.70	0.70	0.79	0.55	0.65	0.74	0.74	0.84	0.59	0.69	0.78	0.78	0.89
	PI	0.91	0.92	0.92	0.92	0.92	0.97	0.97	0.97	0.97	0.97	1.03	1.03	1.03	1.03	1.03	1.09	1.09	1.09	1.09	1.09
110°F	TC	9343	9356	9366	9366	9379	9906	9918	9928	9930	9941	10498	10512	10523	10525	10537	11131	11143	11155	11157	11170
	S/T	0.51	0.60	0.68	0.68	0.78	0.54	0.63	0.72	0.72	0.82	0.57	0.67	0.76	0.76	0.87	0.61	0.71	0.81	0.81	0.92
	PI	0.91	0.91	0.91	0.91	0.91	0.96	0.96	0.96	0.96	0.97	1.02	1.02	1.02	1.02	1.02	1.08	1.08	1.08	1.08	1.08
115°F	TC	7644	7654	7663	7663	7673	8105	8114	8122	8124	8134	8589	8600	8610	8611	8621	9106	9116	9126	9128	9139
	S/T	0.52	0.61	0.69	0.69	0.78	0.55	0.64	0.73	0.73	0.83	0.58	0.68	0.77	0.77	0.88	0.61	0.72	0.82	0.82	0.93
	PI	0.82	0.82	0.82	0.82	0.82	0.87	0.87	0.87	0.87	0.87	0.92	0.92	0.92	0.92	0.92	0.98	0.98	0.98	0.98	0.98
122°F	TC	5379	5386	5392	5392	5399	5703	5709	5715	5716	5723	6043	6051	6058	6059	6066	6407	6414	6421	6422	6430
	S/T	0.53	0.62	0.70	0.70	0.80	0.56	0.66	0.75	0.75	0.85	0.59	0.70	0.79	0.79	0.90	0.63	0.74	0.84	0.84	0.96
	PI	0.70	0.70	0.71	0.71	0.71	0.75	0.75	0.75	0.75	0.75	0.79	0.79	0.79	0.79	0.79	0.84	0.84	0.84	0.84	0.84

12CCHP-HE-SYS-B Expanded Cooling @ 418 CFM

OD DB	ID WB (°F)	60.8 °F					64.4°F					67.0°F					71.6°F				
	ID DB (°F)	73.4 °F	77.0 °F	80.0 °F	80.6 °F	84.2 °F	73.4 °F	77.0 °F	80.0 °F	80.6 °F	84.2 °F	73.4 °F	77.0 °F	80.0 °F	80.6 °F	84.2 °F	73.4 °F	77.0 °F	80.0 °F	80.6 °F	84.2 °F
50°F	TC	11206	11221	11233	11233	11248	11881	11895	11907	11909	11923	12591	12607	12621	12624	12638	13349	13364	13378	13381	13397
	S/T	0.50	0.58	0.66	0.66	0.76	0.53	0.62	0.70	0.70	0.80	0.56	0.66	0.75	0.75	0.85	0.59	0.70	0.79	0.79	0.90
	PI	0.41	0.41	0.41	0.41	0.41	0.43	0.43	0.43	0.43	0.43	0.46	0.46	0.46	0.46	0.46	0.49	0.49	0.49	0.49	0.49
59°F	TC	10961	10976	10987	10988	11003	11621	11635	11647	11649	11663	12316	12332	12345	12348	12361	13058	13072	13086	13088	13104
	S/T	0.50	0.59	0.67	0.67	0.76	0.53	0.62	0.71	0.71	0.81	0.56	0.66	0.75	0.75	0.86	0.60	0.70	0.80	0.80	0.91
	PI	0.44	0.44	0.44	0.44	0.44	0.47	0.47	0.47	0.47	0.47	0.49	0.50	0.50	0.50	0.50	0.52	0.52	0.53	0.53	0.53
68°F	TC	10716	10730	10742	10742	10757	11362	11375	11386	11389	11402	12040	12056	12070	12072	12085	12766	12780	12794	12796	12812
	S/T	0.51	0.60	0.69	0.69	0.78	0.54	0.64	0.73	0.73	0.83	0.58	0.68	0.77	0.77	0.88	0.61	0.72	0.82	0.82	0.93
	PI	0.47	0.47	0.47	0.47	0.47	0.50	0.50	0.50	0.50	0.50	0.53	0.53	0.53	0.53	0.53	0.56	0.56	0.56	0.56	0.56
77°F	TC	10471	10485	10496	10497	10511	11102	11115	11126	11128	11142	11765	11781	11794	11796	11809	12474	12488	12501	12503	12519
	S/T	0.52	0.61	0.69	0.69	0.79	0.55	0.65	0.74	0.74	0.84	0.59	0.69	0.78	0.78	0.89	0.62	0.73	0.83	0.83	0.94
	PI	0.50	0.50	0.51	0.51	0.51	0.53	0.54	0.54	0.54	0.54	0.57	0.57	0.57	0.57	0.57	0.60	0.60	0.60	0.60	0.60
80°F	TC	10664	10679	10690	10691	10705	11307	11321	11332	11334	11347	11983	11998	12012	12014	12027	12705	12719	12732	12734	12750
	S/T	0.53	0.62	0.70	0.70	0.80	0.56	0.66	0.75	0.75	0.85	0.59	0.70	0.79	0.79	0.90	0.63	0.74	0.84	0.84	0.95
	PI	0.58	0.58	0.58	0.58	0.58	0.62	0.62	0.62	0.62	0.62	0.65	0.65	0.66	0.66	0.66	0.69	0.69	0.69	0.69	0.70
86°F	TC	11235	11250	11262	11263	11278	11912	11926	11938	11940	11954	12624	12640	12654	12657	12671	13384	13399	13413	13416	13432
	S/T	0.53	0.63	0.71	0.71	0.81	0.57	0.66	0.75	0.75	0.86	0.60	0.70	0.80	0.80	0.91	0.64	0.75	0.85	0.85	0.97
	PI	0.72	0.72	0.72	0.72	0.72	0.76	0.76	0.76	0.76	0.77	0.81	0.81	0.81	0.81	0.81	0.86	0.86	0.86	0.86	0.86
95°F	TC	12519	12535	12549	12550	12566	13273	13289	13302	13305	13320	14066	14084	14100	14103	14118	14914	14930	14946	14948	14967
	S/T	0.53	0.63	0.71	0.71	0.81	0.57	0.66	0.75	0.75	0.86	0.60	0.70	0.80	0.80	0.91	0.64	0.75	0.85	0.85	0.97
	PI	1.03	1.03	1.03	1.03	1.03	1.09	1.09	1.09	1.09	1.10	1.16	1.16	1.16	1.16	1.16	1.23	1.23	1.23	1.23	1.23
104°F	TC	11187	11202	11214	11214	11230	11861	11875	11887	11889	11903	12570	12586	12600	12602	12616	13327	13341	13356	13358	13375
	S/T	0.55	0.64	0.73	0.73	0.83	0.58	0.68	0.77	0.77	0.88	0.62	0.72	0.82	0.82	0.93	0.65	0.76	0.87	0.87	0.99
	PI	1.02	1.02	1.02	1.02	1.02	1.08	1.08	1.08	1.08	1.08	1.14	1.14	1.15	1.15	1.15	1.21	1.21	1.21	1.21	1.22
110°F	TC	10388	10402	10413	10413	10427	11014	11027	11038	11040	11053	11672	11687	11700	11702	11715	12375	12389	12402	12404	12419
	S/T	0.57	0.67	0.76	0.76	0.86	0.60	0.71	0.80	0.80	0.91	0.64	0.75	0.85	0.85	0.97	0.68	0.79	0.90	0.90	1.00
	PI	1.01	1.01	1.01	1.01	1.01	1.07	1.07	1.07	1.07	1.07	1.13	1.14	1.14	1.14	1.14	1.20	1.20	1.20	1.20	1.21
115°F	TC	8499	8510	8519	8520	8531	9011	9022	9030	9032	9043	9549	9562	9572	9574	9585	10125	10136	10147	10148	10161
	S/T	0.57	0.67	0.77	0.77	0.87	0.61	0.71	0.81	0.81	0.92	0.65	0.76	0.86	0.86	0.98	0.68	0.80	0.91	0.91	1.00
	PI	0.91	0.91	0.91	0.91	0.92	0.97	0.97	0.97	0.97	0.97	1.02	1.03	1.03	1.03	1.03	1.09	1.09	1.09	1.09	1.09
122°F	TC	5980	5988	5994	5995	6003	6340	6348	6354	6355	6363	6719	6728	6735	6737	6744	7124	7132	7139	7141	7149
	S/T	0.59	0.69	0.78	0.78	0.89	0.62	0.73	0.83	0.83	0.95	0.66	0.77	0.88	0.88	1.00	0.70	0.82	0.93	0.93	1.00
	PI	0.78	0.78	0.78	0.78	0.79	0.83	0.83	0.83	0.83	0.83	0.88	0.88	0.88	0.88	0.88	0.93	0.93	0.93	0.93	0.94

12CCHP-HE-SYS-B Expanded Heating @ 194 CFM

CFM	HEATING PERFORMANCE AT INDOOR DRY BULB TEMPERATURE										
	OD DB (°F)	TC : Total Heating Capacity(BTU/hr)					PI : Power Input(kW)				
		Indoor Conditions (DB °F)					Indoor Conditions (DB °F)				
		60.8°F	68°F	70°F	71.6°F	75.2°F	60.8°F	68°F	70°F	71.6°F	75.2°F
194	-22°F	/	/	/	/	/	/	/	/	/	/
	-13°F	3955	3876	3856	3543	3511	0.89	0.90	0.90	0.90	0.91
	-4°F	5000	4900	4875	4479	4439	0.95	0.96	0.96	0.96	0.97
	0°F	5563	5452	5425	4984	4939	0.97	0.98	0.98	0.98	0.98
	5°F	6268	6143	6112	5616	5565	0.99	0.99	1.00	1.00	1.00
	14°F	6772	6636	6603	6067	6012	1.02	1.03	1.03	1.03	1.04
	17°F	6940	6801	6767	6217	6161	1.03	1.04	1.04	1.04	1.05
	22°F	7243	7098	7062	6489	6430	1.03	1.04	1.05	1.05	1.05
	27°F	7545	7395	7358	6760	6699	1.04	1.05	1.05	1.05	1.06
	32°F	7848	7691	7653	7031	6968	1.04	1.05	1.05	1.06	1.06
	35°F	8030	7869	7830	7194	7129	1.04	1.05	1.06	1.06	1.06
	37°F	8557	8386	8344	7667	7598	1.06	1.07	1.07	1.08	1.08
	42°F	9875	9678	9629	8847	8768	1.11	1.12	1.12	1.12	1.13
	44.6°F	10402	10194	10143	9320	9236	1.13	1.13	1.14	1.14	1.14
	47°F	11193	10969	10914	10028	9938	1.15	1.16	1.16	1.17	1.17
	52°F	10833	10616	10563	9705	9618	1.07	1.08	1.08	1.08	1.08
	57°F	10472	10263	10212	9382	9298	0.98	0.99	0.99	0.99	1.00
	59°F	10328	10122	10071	9253	9170	0.95	0.96	0.96	0.96	0.96
62°F	10112	9910	9860	9059	8978	0.90	0.90	0.91	0.91	0.91	
64.4°F	9968	9768	9719	8930	8850	0.86	0.87	0.87	0.87	0.88	

12CCHP-HE-SYS-B Expanded Heating @ 306 CFM

CFM	HEATING PERFORMANCE AT INDOOR DRY BULB TEMPERATURE										
	OD DB (°F)	TC : Total Heating Capacity(BTU/hr)					PI : Power Input(kW)				
		Indoor Conditions (DB °F)					Indoor Conditions (DB °F)				
		60.8°F	68°F	70°F	71.6°F	75.2°F	60.8°F	68°F	70°F	71.6°F	75.2°F
306	-22°F	/	/	/	/	/	/	/	/	/	/
	-13°F	4397	4309	4288	4102	4065	0.90	0.91	0.91	0.91	0.92
	-4°F	5559	5447	5420	5185	5138	0.96	0.97	0.97	0.97	0.98
	0°F	6185	6062	6031	5770	5718	0.98	0.98	0.99	0.99	0.99
	5°F	6969	6830	6795	6501	6442	1.00	1.00	1.01	1.01	1.01
	14°F	7529	7378	7342	7023	6960	1.03	1.04	1.04	1.04	1.05
	17°F	7716	7561	7524	7197	7132	1.04	1.05	1.05	1.05	1.06
	22°F	8052	7891	7852	7511	7444	1.05	1.05	1.06	1.06	1.06
	27°F	8389	8221	8180	7825	7755	1.05	1.06	1.06	1.06	1.07
	32°F	8726	8551	8509	8139	8066	1.05	1.06	1.06	1.07	1.07
	35°F	8928	8749	8706	8328	8253	1.06	1.06	1.07	1.07	1.07
	37°F	9514	9324	9277	8875	8795	1.07	1.08	1.08	1.09	1.09
	42°F	10979	10760	10706	10241	10149	1.12	1.13	1.13	1.13	1.14
	44.6°F	11565	11334	11277	10788	10691	1.14	1.15	1.15	1.15	1.16
	47°F	12445	12196	12135	11608	11504	1.16	1.17	1.18	1.18	1.18
	52°F	12044	11803	11744	11235	11133	1.08	1.09	1.09	1.09	1.10
	57°F	11643	11410	11353	10861	10763	0.99	1.00	1.00	1.00	1.01
	59°F	11483	11253	11197	10711	10615	0.96	0.97	0.97	0.97	0.97
62°F	11242	11018	10963	10487	10393	0.91	0.91	0.92	0.92	0.92	
64.4°F	11082	10861	10806	10337	10244	0.87	0.88	0.88	0.88	0.89	

12CCHP-HE-SYS-B Expanded Heating @ 365 CFM

CFM	HEATING PERFORMANCE AT INDOOR DRY BULB TEMPERATURE										
	OD DB (°F)	TC : Total Heating Capacity(BTU/hr)					PI : Power Input(kW)				
		Indoor Conditions (DB °F)					Indoor Conditions (DB °F)				
		60.8°F	68°F	70°F	71.6°F	75.2°F	60.8°F	68°F	70°F	71.6°F	75.2°F
365	-22°F	/	/	/	/	/	/	/	/	/	/
	-13°F	4889	4791	4767	4748	4705	0.91	0.92	0.92	0.92	0.93
	-4°F	6180	6057	6026	6002	5948	0.97	0.98	0.98	0.98	0.99
	0°F	6877	6739	6706	6679	6619	0.99	0.99	1.00	1.00	1.00
	5°F	7748	7593	7555	7525	7457	1.01	1.01	1.02	1.02	1.02
	14°F	8371	8203	8162	8130	8057	1.04	1.05	1.05	1.05	1.06
	17°F	8578	8407	8365	8331	8256	1.05	1.06	1.06	1.06	1.07
	22°F	8953	8774	8730	8695	8617	1.06	1.06	1.07	1.07	1.07
	27°F	9327	9141	9095	9058	8977	1.06	1.07	1.07	1.07	1.08
	32°F	9701	9507	9460	9422	9337	1.06	1.07	1.07	1.08	1.08
	35°F	9926	9728	9679	9640	9553	1.07	1.07	1.08	1.08	1.08
	37°F	10578	10366	10314	10273	10181	1.08	1.09	1.10	1.10	1.10
	42°F	12207	11963	11903	11855	11749	1.13	1.14	1.14	1.14	1.15
	44.6°F	12859	12601	12538	12488	12376	1.15	1.16	1.16	1.16	1.17
	47°F	13836	13559	13492	13438	13317	1.18	1.19	1.19	1.19	1.20
	52°F	13391	13123	13057	13005	12888	1.09	1.10	1.10	1.10	1.11
	57°F	12945	12686	12623	12572	12459	1.00	1.01	1.01	1.01	1.02
	59°F	12767	12511	12449	12399	12287	0.97	0.98	0.98	0.98	0.98
62°F	12499	12249	12188	12139	12030	0.92	0.92	0.93	0.93	0.93	
64.4°F	12321	12075	12014	11966	11859	0.88	0.89	0.89	0.89	0.90	

12CCHP-HE-SYS-B Expanded Heating @ 418 CFM

CFM	HEATING PERFORMANCE AT INDOOR DRY BULB TEMPERATURE										
	OD DB (°F)	TC : Total Heating Capacity(BTU/hr)					PI : Power Input(kW)				
		Indoor Conditions (DB °F)					Indoor Conditions (DB °F)				
		60.8°F	68°F	70°F	71.6°F	75.2°F	60.8°F	68°F	70°F	71.6°F	75.2°F
418	-22°F	/	/	/	/	/	/	/	/	/	/
	-13°F	5435	5327	5300	5279	5231	0.92	0.93	0.93	0.93	0.94
	-4°F	6871	6734	6700	6673	6613	0.98	0.99	0.99	0.99	1.00
	0°F	7646	7493	7456	7426	7359	1.00	1.00	1.01	1.01	1.01
	5°F	8615	8442	8400	8366	8291	1.02	1.02	1.03	1.03	1.03
	14°F	9307	9121	9075	9039	8957	1.05	1.06	1.06	1.06	1.07
	17°F	9537	9347	9300	9263	9179	1.06	1.07	1.07	1.08	1.08
	22°F	9954	9755	9706	9667	9580	1.07	1.07	1.08	1.08	1.08
	27°F	10370	10163	10112	10071	9981	1.07	1.08	1.08	1.08	1.09
	32°F	10786	10570	10518	10475	10381	1.07	1.08	1.09	1.09	1.09
	35°F	11036	10815	10761	10718	10622	1.08	1.09	1.09	1.09	1.09
	37°F	11760	11525	11468	11422	11319	1.10	1.10	1.11	1.11	1.11
	42°F	13572	13300	13234	13181	13062	1.14	1.15	1.15	1.16	1.16
	44.6°F	14296	14010	13940	13884	13760	1.16	1.17	1.17	1.17	1.18
	47°F	15383	15075	15000	14940	14806	1.19	1.20	1.20	1.20	1.21
	52°F	14888	14590	14517	14459	14329	1.10	1.11	1.11	1.11	1.12
	57°F	14392	14104	14034	13978	13852	1.01	1.02	1.02	1.02	1.03
59°F	14194	13910	13841	13785	13661	0.98	0.99	0.99	0.99	0.99	
62°F	13897	13619	13551	13497	13375	0.93	0.93	0.93	0.94	0.94	
64.4°F	13699	13425	13358	13304	13185	0.89	0.90	0.90	0.90	0.90	

18CCHP-HE-SYS-B Expanded Cooling @ 176 CFM

OD DB	ID WB (°F)	60.8 °F					64.4°F					67.0°F					71.6°F				
	ID DB (°F)	73.4 °F	77.0 °F	80.0 °F	80.6 °F	84.2 °F	73.4 °F	77.0 °F	80.0 °F	80.6 °F	84.2 °F	73.4 °F	77.0 °F	80.0 °F	80.6 °F	84.2 °F	73.4 °F	77.0 °F	80.0 °F	80.6 °F	84.2 °F
50°F	TC	11459	11474	11487	11487	11503	12150	12164	12176	12178	12193	12875	12892	12907	12909	12923	13651	13666	13681	13683	13700
	S/T	0.36	0.42	0.48	0.48	0.54	0.38	0.44	0.50	0.50	0.57	0.40	0.47	0.53	0.53	0.61	0.42	0.50	0.57	0.57	0.65
	PI	0.50	0.50	0.50	0.50	0.50	0.53	0.53	0.53	0.53	0.53	0.56	0.56	0.56	0.56	0.56	0.59	0.59	0.60	0.60	0.60
59°F	TC	11814	11830	11843	11843	11859	12526	12541	12553	12556	12570	13274	13291	13306	13309	13324	14074	14089	14105	14107	14124
	S/T	0.36	0.42	0.48	0.48	0.54	0.38	0.45	0.51	0.51	0.58	0.40	0.47	0.54	0.54	0.61	0.43	0.50	0.57	0.57	0.65
	PI	0.54	0.54	0.54	0.54	0.54	0.57	0.57	0.57	0.57	0.57	0.61	0.61	0.61	0.61	0.61	0.64	0.64	0.64	0.64	0.65
68°F	TC	12169	12185	12198	12199	12215	12902	12917	12930	12933	12948	13673	13691	13706	13708	13724	14497	14512	14528	14531	14549
	S/T	0.37	0.43	0.49	0.49	0.56	0.39	0.46	0.52	0.52	0.59	0.41	0.48	0.55	0.55	0.63	0.44	0.51	0.58	0.58	0.67
	PI	0.58	0.58	0.58	0.58	0.58	0.62	0.62	0.62	0.62	0.62	0.65	0.65	0.65	0.65	0.65	0.69	0.69	0.69	0.69	0.69
77°F	TC	12524	12540	12554	12555	12571	13278	13294	13307	13310	13326	14072	14090	14106	14108	14124	14919	14936	14952	14954	14973
	S/T	0.37	0.44	0.50	0.50	0.57	0.39	0.46	0.53	0.53	0.60	0.42	0.49	0.56	0.56	0.64	0.44	0.52	0.59	0.59	0.67
	PI	0.62	0.62	0.62	0.62	0.62	0.66	0.66	0.66	0.66	0.66	0.70	0.70	0.70	0.70	0.70	0.74	0.74	0.74	0.74	0.74
80°F	TC	12479	12496	12509	12510	12527	13231	13247	13260	13263	13278	14022	14040	14056	14058	14074	14867	14883	14899	14901	14920
	S/T	0.38	0.44	0.50	0.50	0.57	0.40	0.47	0.53	0.53	0.61	0.42	0.50	0.57	0.57	0.64	0.45	0.53	0.60	0.60	0.68
	PI	0.69	0.69	0.69	0.69	0.69	0.73	0.73	0.73	0.73	0.73	0.77	0.77	0.77	0.77	0.77	0.82	0.82	0.82	0.82	0.82
86°F	TC	12139	12155	12168	12169	12185	12871	12886	12899	12901	12916	13639	13657	13672	13675	13690	14461	14477	14493	14495	14513
	S/T	0.38	0.45	0.51	0.51	0.58	0.41	0.48	0.54	0.54	0.62	0.43	0.50	0.57	0.57	0.65	0.46	0.53	0.61	0.61	0.69
	PI	0.79	0.79	0.79	0.79	0.80	0.84	0.84	0.84	0.84	0.84	0.89	0.89	0.89	0.89	0.89	0.94	0.94	0.95	0.95	0.95
95°F	TC	11373	11389	11401	11402	11417	12059	12073	12085	12087	12102	12779	12796	12810	12813	12827	13549	13564	13579	13581	13598
	S/T	0.38	0.45	0.51	0.51	0.58	0.41	0.48	0.54	0.54	0.62	0.43	0.50	0.57	0.57	0.65	0.46	0.53	0.61	0.61	0.69
	PI	1.03	1.03	1.03	1.03	1.03	1.09	1.09	1.09	1.09	1.10	1.16	1.16	1.16	1.16	1.16	1.23	1.23	1.23	1.23	1.23
104°F	TC	9586	9599	9610	9610	9623	10164	10176	10186	10188	10200	10771	10785	10797	10799	10811	11420	11433	11445	11447	11461
	S/T	0.39	0.46	0.52	0.52	0.60	0.42	0.49	0.55	0.55	0.63	0.44	0.52	0.59	0.59	0.67	0.47	0.55	0.62	0.62	0.71
	PI	0.94	0.95	0.95	0.95	0.95	1.00	1.00	1.00	1.00	1.00	1.06	1.06	1.06	1.06	1.07	1.13	1.13	1.13	1.13	1.13
110°F	TC	8514	8526	8535	8535	8547	9027	9038	9047	9049	9059	9567	9579	9590	9592	9602	10143	10154	10165	10167	10179
	S/T	0.41	0.48	0.54	0.54	0.62	0.43	0.51	0.57	0.57	0.65	0.46	0.54	0.61	0.61	0.69	0.48	0.57	0.64	0.64	0.74
	PI	0.89	0.89	0.90	0.90	0.90	0.95	0.95	0.95	0.95	0.95	1.00	1.01	1.01	1.01	1.01	1.06	1.07	1.07	1.07	1.07
115°F	TC	6147	6156	6162	6163	6171	6518	6526	6532	6533	6541	6907	6916	6924	6925	6933	7324	7331	7339	7341	7350
	S/T	0.41	0.48	0.55	0.55	0.62	0.44	0.51	0.58	0.58	0.66	0.46	0.54	0.62	0.62	0.70	0.49	0.57	0.65	0.65	0.74
	PI	0.73	0.73	0.73	0.73	0.74	0.78	0.78	0.78	0.78	0.78	0.82	0.82	0.83	0.83	0.83	0.87	0.87	0.88	0.88	0.88
122°F	TC	2992	2996	2999	2999	3003	3172	3176	3179	3180	3183	3362	3366	3370	3370	3374	3564	3568	3572	3572	3577
	S/T	0.42	0.49	0.56	0.56	0.64	0.45	0.52	0.59	0.59	0.68	0.47	0.55	0.63	0.63	0.72	0.50	0.59	0.67	0.67	0.76
	PI	0.52	0.52	0.52	0.52	0.52	0.55	0.55	0.55	0.55	0.55	0.58	0.58	0.58	0.58	0.59	0.62	0.62	0.62	0.62	0.62

18CCHP-HE-SYS-B Expanded Cooling @ 318 CFM

OD DB	ID WB (°F)	60.8 °F					64.4°F					67.0°F					71.6°F				
	ID DB (°F)	73.4 °F	77.0 °F	80.0 °F	80.6 °F	84.2 °F	73.4 °F	77.0 °F	80.0 °F	80.6 °F	84.2 °F	73.4 °F	77.0 °F	80.0 °F	80.6 °F	84.2 °F	73.4 °F	77.0 °F	80.0 °F	80.6 °F	84.2 °F
50°F	TC	12811	12828	12842	12843	12860	13583	13599	13612	13615	13631	14394	14413	14429	14432	14448	15262	15278	15295	15297	15316
	S/T	0.40	0.47	0.53	0.53	0.61	0.42	0.50	0.56	0.56	0.64	0.45	0.53	0.60	0.60	0.68	0.47	0.56	0.63	0.63	0.72
	PI	0.56	0.56	0.56	0.56	0.56	0.59	0.59	0.59	0.59	0.59	0.63	0.63	0.63	0.63	0.63	0.66	0.67	0.67	0.67	0.67
59°F	TC	13208	13225	13240	13240	13258	14004	14020	14034	14037	14053	14840	14860	14876	14879	14895	15734	15751	15769	15771	15791
	S/T	0.40	0.47	0.53	0.53	0.61	0.42	0.50	0.57	0.57	0.65	0.45	0.53	0.60	0.60	0.68	0.48	0.56	0.64	0.64	0.73
	PI	0.60	0.60	0.60	0.60	0.61	0.64	0.64	0.64	0.64	0.64	0.68	0.68	0.68	0.68	0.68	0.72	0.72	0.72	0.72	0.72
68°F	TC	13604	13623	13637	13638	13656	14424	14441	14456	14458	14476	15286	15306	15323	15326	15343	16207	16225	16242	16245	16265
	S/T	0.41	0.48	0.55	0.55	0.63	0.44	0.51	0.58	0.58	0.66	0.46	0.54	0.62	0.62	0.70	0.49	0.57	0.65	0.65	0.74
	PI	0.65	0.65	0.65	0.65	0.65	0.69	0.69	0.69	0.69	0.69	0.73	0.73	0.73	0.73	0.73	0.77	0.77	0.77	0.78	0.78
77°F	TC	14001	14020	14035	14036	14055	14845	14862	14877	14880	14898	15732	15752	15770	15773	15790	16680	16698	16716	16719	16739
	S/T	0.42	0.49	0.56	0.56	0.63	0.44	0.52	0.59	0.59	0.67	0.47	0.55	0.62	0.62	0.71	0.50	0.58	0.66	0.66	0.75
	PI	0.69	0.70	0.70	0.70	0.70	0.74	0.74	0.74	0.74	0.74	0.78	0.78	0.78	0.78	0.78	0.83	0.83	0.83	0.83	0.83
80°F	TC	13951	13970	13985	13986	14005	14792	14810	14824	14827	14845	15676	15696	15714	15717	15734	16621	16639	16657	16659	16680
	S/T	0.42	0.50	0.56	0.56	0.64	0.45	0.52	0.60	0.60	0.68	0.47	0.56	0.63	0.63	0.72	0.50	0.59	0.67	0.67	0.76
	PI	0.77	0.77	0.77	0.77	0.77	0.81	0.81	0.82	0.82	0.82	0.86	0.86	0.86	0.86	0.87	0.91	0.92	0.92	0.92	0.92
86°F	TC	13571	13589	13604	13605	13623	14389	14406	14420	14423	14440	15249	15268	15285	15288	15305	16167	16185	16203	16205	16225
	S/T	0.43	0.50	0.57	0.57	0.65	0.45	0.53	0.60	0.60	0.69	0.48	0.56	0.64	0.64	0.73	0.51	0.60	0.68	0.68	0.77
	PI	0.89	0.89	0.89	0.89	0.89	0.94	0.94	0.94	0.94	0.94	0.99	1.00	1.00	1.00	1.00	1.05	1.06	1.06	1.06	1.06
95°F	TC	12715	12732	12746	12747	12764	13482	13498	13511	13514	13530	14287	14306	14321	14324	14340	15148	15164	15181	15183	15202
	S/T	0.43	0.50	0.57	0.57	0.65	0.45	0.53	0.60	0.60	0.69	0.48	0.56	0.64	0.64	0.73	0.51	0.60	0.68	0.68	0.77
	PI	1.15	1.15	1.15	1.15	1.16	1.22	1.22	1.22	1.22	1.22	1.29	1.29	1.30	1.30	1.30	1.37	1.37	1.37	1.37	1.38
104°F	TC	10717	10732	10743	10744	10758	11363	11377	11388	11390	11404	12042	12058	12071	12073	12087	12768	12782	12796	12798	12813
	S/T	0.44	0.51	0.58	0.58	0.67	0.46	0.54	0.62	0.62	0.71	0.49	0.58	0.66	0.66	0.75	0.52	0.61	0.70	0.70	0.79
	PI	1.06	1.06	1.06	1.06	1.06	1.12	1.12	1.12	1.12	1.12	1.19	1.19	1.19	1.19	1.19	1.26	1.26	1.26	1.26	1.26
110°F	TC	9519	9531	9542	9542	9555	10092	10104	10114	10116	10128	10695	10709	10721	10723	10735	11340	11352	11364	11366	11380
	S/T	0.45	0.53	0.61	0.61	0.69	0.48	0.56	0.64	0.64	0.73	0.51	0.60	0.68	0.68	0.78	0.54	0.63	0.72	0.72	0.82
	PI	1.00	1.00	1.00	1.00	1.00	1.06	1.06	1.06	1.06	1.06	1.12	1.12	1.13	1.13	1.13	1.19	1.19	1.19	1.19	1.19
115°F	TC	6873	6882	6889	6890	6899	7287	7296	7303	7304	7313	7722	7732	7741	7742	7751	8188	8196	8205	8207	8217
	S/T	0.46	0.54	0.61	0.61	0.70	0.49	0.57	0.65	0.65	0.74	0.52	0.61	0.69	0.69	0.78	0.55	0.64	0.73	0.73	0.83
	PI	0.82	0.82	0.82	0.82	0.82	0.87	0.87	0.87	0.87	0.87	0.92	0.92	0.92	0.92	0.92	0.98	0.98	0.98	0.98	0.98
122°F	TC	3345	3349	3353	3353	3358	3546	3550	3554	3555	3559	3758	3763	3767	3768	3772	3985	3989	3993	3994	3999
	S/T	0.47	0.55	0.63	0.63	0.71	0.50	0.58	0.66	0.66	0.76	0.53	0.62	0.70	0.70	0.80	0.56	0.66	0.75	0.75	0.85
	PI	0.58	0.58	0.58	0.58	0.58	0.62	0.62	0.62	0.62	0.62	0.65	0.65	0.65	0.65	0.65	0.69	0.69	0.69	0.69	0.69

18CCHP-HE-SYS-B Expanded Cooling @ 388 CFM

OD DB	ID WB (°F)	60.8 °F					64.4°F					67.0°F					71.6°F				
	ID DB (°F)	73.4 °F	77.0 °F	80.0 °F	80.6 °F	84.2 °F	73.4 °F	77.0 °F	80.0 °F	80.6 °F	84.2 °F	73.4 °F	77.0 °F	80.0 °F	80.6 °F	84.2 °F	73.4 °F	77.0 °F	80.0 °F	80.6 °F	84.2 °F
50°F	TC	14322	14342	14357	14358	14377	15185	15203	15218	15221	15240	16093	16114	16132	16135	16153	17062	17081	17099	17102	17123
	S/T	0.45	0.52	0.59	0.59	0.68	0.47	0.55	0.63	0.63	0.72	0.50	0.59	0.67	0.67	0.76	0.53	0.62	0.71	0.71	0.81
	PI	0.62	0.62	0.63	0.63	0.63	0.66	0.66	0.66	0.66	0.66	0.70	0.70	0.70	0.70	0.70	0.74	0.74	0.74	0.74	0.75
59°F	TC	14766	14786	14802	14802	14822	15656	15674	15690	15693	15711	16591	16613	16631	16634	16653	17591	17610	17629	17632	17654
	S/T	0.45	0.53	0.60	0.60	0.68	0.47	0.56	0.63	0.63	0.72	0.50	0.59	0.67	0.67	0.76	0.53	0.63	0.71	0.71	0.81
	PI	0.67	0.68	0.68	0.68	0.68	0.72	0.72	0.72	0.72	0.72	0.76	0.76	0.76	0.76	0.76	0.80	0.80	0.81	0.81	0.81
68°F	TC	15209	15230	15246	15247	15267	16126	16145	16161	16164	16183	17089	17112	17131	17134	17153	18119	18139	18158	18161	18184
	S/T	0.46	0.54	0.61	0.61	0.70	0.49	0.57	0.65	0.65	0.74	0.52	0.61	0.69	0.69	0.79	0.55	0.64	0.73	0.73	0.83
	PI	0.73	0.73	0.73	0.73	0.73	0.77	0.77	0.77	0.77	0.77	0.82	0.82	0.82	0.82	0.82	0.86	0.87	0.87	0.87	0.87
77°F	TC	15653	15674	15691	15692	15713	16596	16616	16632	16636	16655	17588	17611	17630	17633	17653	18647	18668	18688	18691	18714
	S/T	0.47	0.55	0.62	0.62	0.71	0.49	0.58	0.66	0.66	0.75	0.52	0.61	0.70	0.70	0.80	0.55	0.65	0.74	0.74	0.84
	PI	0.78	0.78	0.78	0.78	0.78	0.82	0.82	0.83	0.83	0.83	0.87	0.87	0.87	0.88	0.88	0.93	0.93	0.93	0.93	0.93
80°F	TC	15597	15618	15635	15636	15657	16537	16557	16573	16577	16596	17525	17548	17568	17571	17591	18581	18602	18622	18625	18648
	S/T	0.47	0.55	0.63	0.63	0.72	0.50	0.59	0.67	0.67	0.76	0.53	0.62	0.71	0.71	0.81	0.56	0.66	0.75	0.75	0.85
	PI	0.86	0.86	0.86	0.86	0.86	0.91	0.91	0.91	0.91	0.91	0.96	0.97	0.97	0.97	0.97	1.02	1.02	1.02	1.02	1.03
86°F	TC	15172	15193	15209	15210	15230	16087	16106	16121	16125	16144	17048	17070	17089	17092	17111	18075	18094	18114	18117	18139
	S/T	0.48	0.56	0.64	0.64	0.73	0.51	0.59	0.68	0.68	0.77	0.54	0.63	0.72	0.72	0.82	0.57	0.67	0.76	0.76	0.86
	PI	0.99	0.99	0.99	0.99	0.99	1.05	1.05	1.05	1.05	1.05	1.11	1.11	1.11	1.12	1.12	1.18	1.18	1.18	1.18	1.18
95°F	TC	14215	14234	14250	14250	14270	15072	15090	15105	15108	15126	15973	15993	16011	16014	16032	16935	16953	16972	16974	16996
	S/T	0.48	0.56	0.64	0.64	0.73	0.51	0.59	0.68	0.68	0.77	0.54	0.63	0.72	0.72	0.82	0.57	0.67	0.76	0.76	0.86
	PI	1.29	1.29	1.29	1.29	1.29	1.36	1.37	1.37	1.37	1.37	1.45	1.45	1.45	1.45	1.45	1.53	1.53	1.54	1.54	1.54
104°F	TC	11982	11998	12011	12011	12028	12704	12719	12731	12734	12749	13463	13480	13495	13498	13513	14274	14290	14305	14307	14325
	S/T	0.49	0.57	0.65	0.65	0.74	0.52	0.61	0.69	0.69	0.79	0.55	0.65	0.73	0.73	0.84	0.58	0.68	0.78	0.78	0.89
	PI	1.18	1.18	1.18	1.18	1.18	1.25	1.25	1.25	1.25	1.26	1.33	1.33	1.33	1.33	1.33	1.41	1.41	1.41	1.41	1.41
110°F	TC	10642	10656	10667	10668	10682	11283	11296	11307	11310	11323	11957	11973	11986	11988	12002	12678	12691	12705	12707	12723
	S/T	0.51	0.60	0.68	0.68	0.77	0.54	0.63	0.72	0.72	0.82	0.57	0.67	0.76	0.76	0.87	0.60	0.71	0.81	0.81	0.92
	PI	1.12	1.12	1.12	1.12	1.12	1.18	1.19	1.19	1.19	1.19	1.25	1.26	1.26	1.26	1.26	1.33	1.33	1.33	1.33	1.34
115°F	TC	7684	7694	7702	7702	7713	8147	8156	8164	8166	8176	8633	8644	8654	8656	8665	9153	9163	9173	9175	9186
	S/T	0.51	0.60	0.68	0.68	0.78	0.54	0.64	0.73	0.73	0.83	0.58	0.68	0.77	0.77	0.88	0.61	0.72	0.82	0.82	0.93
	PI	0.92	0.92	0.92	0.92	0.92	0.97	0.97	0.97	0.97	0.97	1.03	1.03	1.03	1.03	1.03	1.09	1.09	1.09	1.09	1.10
122°F	TC	3739	3744	3748	3749	3754	3965	3969	3973	3974	3979	4202	4207	4212	4212	4217	4455	4460	4464	4465	4471
	S/T	0.53	0.62	0.70	0.70	0.80	0.56	0.65	0.74	0.74	0.85	0.59	0.69	0.79	0.79	0.90	0.63	0.73	0.83	0.83	0.95
	PI	0.65	0.65	0.65	0.65	0.65	0.69	0.69	0.69	0.69	0.69	0.73	0.73	0.73	0.73	0.73	0.77	0.77	0.77	0.77	0.78

18CCHP-HE-SYS-B Expanded Cooling @ 447 CFM

OD DB	ID WB (°F)	60.8 °F					64.4°F					67.0°F					71.6°F				
	ID DB (°F)	73.4 °F	77.0 °F	80.0 °F	80.6 °F	84.2 °F	73.4 °F	77.0 °F	80.0 °F	80.6 °F	84.2 °F	73.4 °F	77.0 °F	80.0 °F	80.6 °F	84.2 °F	73.4 °F	77.0 °F	80.0 °F	80.6 °F	84.2 °F
50°F	TC	16012	16034	16051	16052	16073	16977	16997	17014	17017	17037	17991	18015	18035	18038	18058	19075	19096	19117	19120	19144
	S/T	0.50	0.58	0.66	0.66	0.76	0.53	0.62	0.70	0.70	0.80	0.56	0.66	0.75	0.75	0.85	0.59	0.70	0.79	0.79	0.90
	PI	0.70	0.70	0.70	0.70	0.70	0.74	0.74	0.74	0.74	0.74	0.78	0.78	0.79	0.79	0.79	0.83	0.83	0.83	0.83	0.83
59°F	TC	16508	16530	16548	16549	16571	17503	17523	17541	17544	17565	18548	18572	18593	18597	18617	19666	19687	19709	19712	19736
	S/T	0.50	0.59	0.67	0.67	0.76	0.53	0.62	0.71	0.71	0.81	0.56	0.66	0.75	0.75	0.86	0.60	0.70	0.80	0.80	0.91
	PI	0.75	0.76	0.76	0.76	0.76	0.80	0.80	0.80	0.80	0.80	0.85	0.85	0.85	0.85	0.85	0.90	0.90	0.90	0.90	0.90
68°F	TC	17004	17027	17045	17046	17069	18028	18050	18068	18071	18093	19105	19130	19152	19155	19177	20257	20279	20301	20304	20329
	S/T	0.51	0.60	0.69	0.69	0.78	0.54	0.64	0.73	0.73	0.83	0.58	0.68	0.77	0.77	0.88	0.61	0.72	0.82	0.82	0.93
	PI	0.81	0.81	0.81	0.81	0.81	0.86	0.86	0.86	0.86	0.86	0.91	0.91	0.91	0.91	0.91	0.97	0.97	0.97	0.97	0.97
77°F	TC	17500	17523	17542	17543	17566	18554	18576	18594	18598	18620	19663	19688	19710	19714	19736	20847	20870	20893	20896	20922
	S/T	0.52	0.61	0.69	0.69	0.79	0.55	0.65	0.74	0.74	0.84	0.59	0.69	0.78	0.78	0.89	0.62	0.73	0.83	0.83	0.94
	PI	0.87	0.87	0.87	0.87	0.87	0.92	0.92	0.92	0.92	0.92	0.98	0.98	0.98	0.98	0.98	1.03	1.04	1.04	1.04	1.04
80°F	TC	17438	17461	17480	17481	17504	18488	18510	18529	18532	18554	19593	19618	19640	19644	19666	20773	20796	20819	20822	20848
	S/T	0.53	0.62	0.70	0.70	0.80	0.56	0.66	0.75	0.75	0.85	0.59	0.70	0.79	0.79	0.90	0.63	0.74	0.84	0.84	0.95
	PI	0.96	0.96	0.96	0.96	0.96	1.02	1.02	1.02	1.02	1.02	1.08	1.08	1.08	1.08	1.08	1.14	1.14	1.15	1.15	1.15
86°F	TC	16962	16985	17003	17004	17027	17984	18006	18023	18027	18048	19059	19084	19105	19108	19130	20207	20229	20251	20254	20279
	S/T	0.53	0.63	0.71	0.71	0.81	0.57	0.66	0.75	0.75	0.86	0.60	0.70	0.80	0.80	0.91	0.64	0.75	0.85	0.85	0.97
	PI	1.11	1.11	1.11	1.11	1.11	1.17	1.17	1.18	1.18	1.18	1.24	1.25	1.25	1.25	1.25	1.32	1.32	1.32	1.32	1.32
95°F	TC	15892	15914	15931	15932	15953	16850	16870	16887	16890	16910	17857	17880	17900	17903	17923	18933	18953	18974	18977	19001
	S/T	0.53	0.63	0.71	0.71	0.81	0.57	0.66	0.75	0.75	0.86	0.60	0.70	0.80	0.80	0.91	0.64	0.75	0.85	0.85	0.97
	PI	1.44	1.44	1.44	1.44	1.44	1.52	1.53	1.53	1.53	1.53	1.62	1.62	1.62	1.62	1.62	1.71	1.72	1.72	1.72	1.72
104°F	TC	13395	13413	13428	13428	13447	14203	14219	14233	14236	14253	15051	15071	15088	15090	15107	15958	15975	15993	15995	16015
	S/T	0.55	0.64	0.73	0.73	0.83	0.58	0.68	0.77	0.77	0.88	0.62	0.72	0.82	0.82	0.93	0.65	0.76	0.87	0.87	0.99
	PI	1.32	1.32	1.32	1.32	1.32	1.40	1.40	1.40	1.40	1.40	1.48	1.48	1.49	1.49	1.49	1.57	1.57	1.58	1.58	1.58
110°F	TC	11897	11913	11926	11926	11943	12614	12629	12642	12644	12659	13368	13385	13400	13402	13417	14173	14189	14204	14206	14224
	S/T	0.57	0.67	0.76	0.76	0.86	0.60	0.71	0.80	0.80	0.91	0.64	0.75	0.85	0.85	0.97	0.68	0.79	0.90	0.90	1.00
	PI	1.25	1.25	1.25	1.25	1.25	1.32	1.33	1.33	1.33	1.33	1.40	1.40	1.41	1.41	1.41	1.49	1.49	1.49	1.49	1.49
115°F	TC	8590	8602	8611	8611	8623	9108	9118	9127	9129	9140	9652	9664	9675	9677	9688	10233	10244	10256	10257	10270
	S/T	0.57	0.67	0.77	0.77	0.87	0.61	0.71	0.81	0.81	0.92	0.65	0.76	0.86	0.86	0.98	0.68	0.80	0.91	0.91	1.00
	PI	1.02	1.03	1.03	1.03	1.03	1.09	1.09	1.09	1.09	1.09	1.15	1.15	1.15	1.15	1.16	1.22	1.22	1.22	1.22	1.22
122°F	TC	4180	4186	4191	4191	4196	4432	4438	4442	4443	4448	4697	4703	4709	4709	4715	4980	4986	4991	4992	4998
	S/T	0.59	0.69	0.78	0.78	0.89	0.62	0.73	0.83	0.83	0.95	0.66	0.77	0.88	0.88	1.00	0.70	0.82	0.93	0.93	1.00
	PI	0.72	0.73	0.73	0.73	0.73	0.77	0.77	0.77	0.77	0.77	0.81	0.82	0.82	0.82	0.82	0.86	0.86	0.87	0.87	0.87

18CCHP-HE-SYS-B Expanded Heating @ 176 CFM

CFM	HEATING PERFORMANCE AT INDOOR DRY BULB TEMPERATURE										
	OD DB (°F)	TC : Total Heating Capacity(BTU/hr)					PI : Power Input(kW)				
		Indoor Conditions (DB °F)					Indoor Conditions (DB °F)				
		60.8°F	68°F	70°F	71.6°F	75.2°F	60.8°F	68°F	70°F	71.6°F	75.2°F
176	-22°F	/	/	/	/	/	/	/	/	/	/
	-13°F	6092	5970	5940	5251	5204	1.42	1.44	1.44	1.44	1.45
	-4°F	7780	7624	7586	6707	6646	1.51	1.52	1.52	1.53	1.53
	0°F	8497	8327	8286	7325	7259	1.57	1.58	1.58	1.58	1.59
	5°F	9394	9206	9160	8099	8026	1.64	1.65	1.65	1.66	1.66
	14°F	10495	10285	10234	9048	8966	1.73	1.75	1.75	1.75	1.76
	17°F	10862	10645	10592	9364	9280	1.77	1.78	1.78	1.79	1.79
	22°F	11484	11255	11198	9900	9811	1.79	1.81	1.81	1.81	1.82
	27°F	12106	11864	11805	10437	10343	1.82	1.83	1.84	1.84	1.85
	32°F	12728	12474	12412	10973	10874	1.85	1.86	1.86	1.87	1.88
	35°F	13102	12840	12775	11295	11193	1.86	1.88	1.88	1.88	1.89
	37°F	13560	13289	13223	11690	11585	1.86	1.88	1.88	1.88	1.89
	42°F	14707	14412	14340	12678	12564	1.86	1.87	1.88	1.88	1.89
	44.6°F	15165	14862	14787	13073	12956	1.86	1.87	1.87	1.88	1.89
	47°F	15853	15536	15458	13666	13543	1.85	1.87	1.87	1.88	1.88
	52°F	15037	14736	14663	12963	12846	1.51	1.53	1.53	1.53	1.54
	57°F	14221	13937	13867	12260	12150	1.17	1.18	1.18	1.19	1.19
	59°F	13895	13617	13549	11979	11871	1.04	1.04	1.05	1.05	1.05
62°F	13406	13137	13072	11557	11453	0.83	0.84	0.84	0.84	0.85	
64.4°F	13079	12818	12754	11275	11174	0.70	0.70	0.70	0.70	0.71	

18CCHP-HE-SYS-B Expanded Heating @ 318 CFM

CFM	HEATING PERFORMANCE AT INDOOR DRY BULB TEMPERATURE										
	OD DB (°F)	TC : Total Heating Capacity(BTU/hr)					PI : Power Input(kW)				
		Indoor Conditions (DB °F)					Indoor Conditions (DB °F)				
		60.8°F	68°F	70°F	71.6°F	75.2°F	60.8°F	68°F	70°F	71.6°F	75.2°F
318	-22°F	/	/	/	/	/	/	/	/	/	/
	-13°F	6810	6674	6641	6231	6175	1.44	1.45	1.45	1.46	1.46
	-4°F	8697	8523	8481	7958	7887	1.52	1.53	1.54	1.54	1.55
	0°F	9500	9310	9263	8692	8614	1.58	1.59	1.60	1.60	1.61
	5°F	10503	10293	10241	9610	9524	1.65	1.67	1.67	1.67	1.68
	14°F	11733	11499	11441	10736	10640	1.75	1.77	1.77	1.77	1.78
	17°F	12144	11901	11841	11112	11012	1.78	1.80	1.80	1.81	1.81
	22°F	12839	12582	12519	11748	11642	1.81	1.82	1.83	1.83	1.84
	27°F	13535	13264	13198	12384	12273	1.84	1.85	1.86	1.86	1.87
	32°F	14230	13945	13876	13021	12904	1.86	1.88	1.88	1.89	1.89
	35°F	14647	14354	14283	13403	13282	1.88	1.90	1.90	1.90	1.91
	37°F	15160	14857	14783	13872	13747	1.88	1.89	1.90	1.90	1.91
	42°F	16442	16113	16032	15044	14909	1.88	1.89	1.89	1.90	1.91
	44.6°F	16954	16615	16532	15513	15374	1.87	1.89	1.89	1.90	1.90
	47°F	17723	17369	17282	16217	16071	1.87	1.89	1.89	1.90	1.90
	52°F	16811	16475	16392	15382	15244	1.53	1.54	1.54	1.55	1.55
	57°F	15899	15581	15503	14548	14417	1.18	1.19	1.20	1.20	1.20
	59°F	15534	15224	15147	14214	14086	1.05	1.06	1.06	1.06	1.06
62°F	14987	14687	14614	13713	13590	0.84	0.85	0.85	0.85	0.85	
64.4°F	14622	14330	14258	13380	13259	0.70	0.71	0.71	0.71	0.71	

18CCHP-HE-SYS-B Expanded Heating @ 388 CFM

CFM	HEATING PERFORMANCE AT INDOOR DRY BULB TEMPERATURE										
	OD DB (°F)	TC : Total Heating Capacity(BTU/hr)					PI : Power Input(kW)				
		Indoor Conditions (DB °F)					Indoor Conditions (DB °F)				
		60.8°F	68°F	70°F	71.6°F	75.2°F	60.8°F	68°F	70°F	71.6°F	75.2°F
388	-22°F	/	/	/	/	/	/	/	/	/	/
	-13°F	7614	7461	7424	7394	7328	1.45	1.47	1.47	1.47	1.48
	-4°F	9724	9529	9481	9443	9359	1.54	1.55	1.55	1.56	1.56
	0°F	10620	10408	10356	10315	10222	1.60	1.61	1.61	1.62	1.62
	5°F	11742	11507	11449	11403	11301	1.67	1.68	1.69	1.69	1.70
	14°F	13118	12855	12791	12740	12625	1.77	1.78	1.79	1.79	1.80
	17°F	13576	13305	13238	13185	13067	1.80	1.82	1.82	1.82	1.83
	22°F	14354	14067	13996	13940	13815	1.83	1.84	1.85	1.85	1.86
	27°F	15131	14829	14755	14696	14563	1.86	1.87	1.87	1.88	1.89
	32°F	15909	15591	15513	15451	15312	1.88	1.90	1.90	1.91	1.91
	35°F	16375	16048	15968	15904	15761	1.90	1.91	1.92	1.92	1.93
	37°F	16949	16610	16527	16460	16312	1.90	1.91	1.92	1.92	1.93
	42°F	18381	18014	17924	17852	17691	1.89	1.91	1.91	1.92	1.93
	44.6°F	18954	18575	18482	18408	18243	1.89	1.91	1.91	1.92	1.92
	47°F	19814	19418	19321	19243	19070	1.89	1.91	1.91	1.91	1.92
	52°F	18794	18419	18326	18253	18089	1.54	1.56	1.56	1.56	1.57
	57°F	17775	17419	17332	17263	17108	1.20	1.21	1.21	1.21	1.22
	59°F	17367	17020	16935	16867	16715	1.06	1.07	1.07	1.07	1.07
62°F	16755	16420	16338	16273	16126	0.85	0.86	0.86	0.86	0.86	
64.4°F	16347	16020	15940	15877	15734	0.71	0.72	0.72	0.72	0.72	

18CCHP-HE-SYS-B Expanded Heating @ 447 CFM

CFM	HEATING PERFORMANCE AT INDOOR DRY BULB TEMPERATURE										
	OD DB (°F)	TC : Total Heating Capacity(BTU/hr)					PI : Power Input(kW)				
		Indoor Conditions (DB °F)					Indoor Conditions (DB °F)				
		60.8°F	68°F	70°F	71.6°F	75.2°F	60.8°F	68°F	70°F	71.6°F	75.2°F
447	-22°F	/	/	/	/	/	/	/	/	/	/
	-13°F	8512	8342	8300	8267	8192	1.47	1.48	1.48	1.49	1.49
	-4°F	10871	10653	10600	10558	10463	1.55	1.57	1.57	1.57	1.58
	0°F	11873	11636	11578	11531	11428	1.61	1.63	1.63	1.63	1.64
	5°F	13127	12864	12800	12749	12634	1.69	1.70	1.71	1.71	1.72
	14°F	14665	14372	14300	14243	14115	1.79	1.80	1.80	1.81	1.82
	17°F	15178	14874	14800	14741	14608	1.82	1.83	1.84	1.84	1.85
	22°F	16047	15726	15648	15585	15445	1.85	1.86	1.87	1.87	1.88
	27°F	16916	16578	16495	16429	16281	1.87	1.89	1.89	1.90	1.90
	32°F	17786	17430	17343	17274	17118	1.90	1.92	1.92	1.92	1.93
	35°F	18307	17941	17851	17780	17620	1.92	1.93	1.94	1.94	1.95
	37°F	18948	18569	18476	18402	18237	1.92	1.93	1.94	1.94	1.95
	42°F	20550	20139	20038	19958	19778	1.91	1.93	1.93	1.94	1.94
	44.6°F	21191	20767	20663	20580	20395	1.91	1.93	1.93	1.94	1.94
	47°F	22152	21709	21600	21514	21320	1.91	1.93	1.93	1.93	1.94
	52°F	21012	20591	20488	20407	20223	1.56	1.57	1.58	1.58	1.58
	57°F	19872	19474	19377	19299	19126	1.21	1.22	1.22	1.22	1.23
59°F	19416	19028	18932	18857	18687	1.07	1.08	1.08	1.08	1.09	
62°F	18732	18357	18265	18192	18029	0.86	0.86	0.87	0.87	0.87	
64.4°F	18276	17910	17821	17750	17590	0.72	0.72	0.72	0.73	0.73	

24CCHP-HE-SYS-B Expanded Cooling @ 547 CFM

OD DB	ID WB (°F)	60.8 °F					64.4°F					67.0°F					71.6°F				
	ID DB (°F)	73.4 °F	77.0 °F	80.0 °F	80.6 °F	84.2 °F	73.4 °F	77.0 °F	80.0 °F	80.6 °F	84.2 °F	73.4 °F	77.0 °F	80.0 °F	80.6 °F	84.2 °F	73.4 °F	77.0 °F	80.0 °F	80.6 °F	84.2 °F
50°F	TC	19026	19051	19072	19073	19098	20172	20196	20216	20220	20244	21377	21405	21429	21433	21457	22665	22690	22715	22718	22747
	S/T	0.43	0.50	0.57	0.57	0.65	0.45	0.53	0.61	0.61	0.69	0.48	0.56	0.64	0.64	0.73	0.51	0.60	0.68	0.68	0.78
	PI	0.90	0.91	0.91	0.91	0.91	0.96	0.96	0.96	0.96	0.96	1.02	1.02	1.02	1.02	1.02	1.08	1.08	1.08	1.08	1.08
59°F	TC	19498	19524	19545	19546	19572	20673	20697	20718	20722	20746	21908	21936	21961	21965	21989	23228	23253	23278	23282	23311
	S/T	0.43	0.50	0.57	0.57	0.65	0.46	0.54	0.61	0.61	0.69	0.48	0.57	0.64	0.64	0.73	0.51	0.60	0.68	0.68	0.78
	PI	0.97	0.97	0.97	0.97	0.97	1.03	1.03	1.03	1.03	1.03	1.09	1.09	1.09	1.09	1.09	1.15	1.15	1.15	1.15	1.16
68°F	TC	19970	19997	20018	20019	20046	21174	21199	21220	21224	21249	22439	22468	22493	22497	22522	23790	23816	23842	23846	23876
	S/T	0.44	0.52	0.59	0.59	0.67	0.47	0.55	0.62	0.62	0.71	0.50	0.58	0.66	0.66	0.75	0.53	0.62	0.70	0.70	0.80
	PI	1.03	1.03	1.03	1.03	1.03	1.09	1.09	1.09	1.09	1.10	1.16	1.16	1.16	1.16	1.16	1.23	1.23	1.23	1.23	1.23
77°F	TC	20442	20470	20492	20493	20520	21674	21700	21721	21726	21751	22969	22999	23025	23029	23055	24353	24380	24406	24410	24440
	S/T	0.45	0.53	0.60	0.60	0.68	0.47	0.56	0.63	0.63	0.72	0.50	0.59	0.67	0.67	0.76	0.53	0.63	0.71	0.71	0.81
	PI	1.09	1.09	1.10	1.10	1.10	1.16	1.16	1.16	1.16	1.16	1.23	1.23	1.23	1.23	1.23	1.30	1.30	1.30	1.30	1.31
80°F	TC	20603	20631	20653	20654	20682	21844	21870	21892	21896	21922	23149	23180	23205	23210	23236	24544	24571	24598	24602	24632
	S/T	0.45	0.53	0.60	0.60	0.69	0.48	0.56	0.64	0.64	0.73	0.51	0.60	0.68	0.68	0.77	0.54	0.63	0.72	0.72	0.82
	PI	1.22	1.23	1.23	1.23	1.23	1.30	1.30	1.30	1.30	1.30	1.38	1.38	1.38	1.38	1.38	1.46	1.46	1.46	1.46	1.46
86°F	TC	20603	20631	20653	20654	20682	21844	21870	21892	21896	21922	23149	23180	23205	23210	23236	24544	24571	24598	24602	24632
	S/T	0.46	0.54	0.61	0.61	0.70	0.49	0.57	0.65	0.65	0.74	0.52	0.61	0.69	0.69	0.78	0.55	0.64	0.73	0.73	0.83
	PI	1.45	1.45	1.45	1.45	1.46	1.54	1.54	1.54	1.54	1.54	1.63	1.63	1.63	1.63	1.64	1.73	1.73	1.73	1.73	1.73
95°F	TC	20603	20631	20653	20654	20682	21844	21870	21892	21896	21922	23149	23180	23205	23210	23236	24544	24571	24598	24602	24632
	S/T	0.46	0.54	0.61	0.61	0.70	0.49	0.57	0.65	0.65	0.74	0.52	0.61	0.69	0.69	0.78	0.55	0.64	0.73	0.73	0.83
	PI	1.96	1.96	1.97	1.97	1.97	2.08	2.08	2.08	2.08	2.09	2.20	2.21	2.21	2.21	2.21	2.34	2.34	2.34	2.34	2.34
104°F	TC	17741	17765	17784	17785	17809	18810	18833	18851	18855	18877	19934	19960	19982	19986	20008	21135	21158	21181	21185	21211
	S/T	0.47	0.55	0.63	0.63	0.72	0.50	0.59	0.66	0.66	0.76	0.53	0.62	0.70	0.70	0.80	0.56	0.66	0.75	0.75	0.85
	PI	1.87	1.88	1.88	1.88	1.88	1.99	1.99	1.99	1.99	1.99	2.11	2.11	2.11	2.11	2.11	2.23	2.24	2.24	2.24	2.24
110°F	TC	16024	16046	16063	16064	16086	16990	17010	17027	17030	17051	18005	18029	18049	18052	18072	19090	19111	19132	19135	19158
	S/T	0.49	0.57	0.65	0.65	0.74	0.52	0.61	0.69	0.69	0.79	0.55	0.64	0.73	0.73	0.83	0.58	0.68	0.77	0.77	0.88
	PI	1.82	1.83	1.83	1.83	1.83	1.93	1.94	1.94	1.94	1.94	2.05	2.05	2.05	2.05	2.06	2.17	2.17	2.18	2.18	2.18
115°F	TC	13862	13881	13896	13896	13915	14698	14715	14730	14732	14750	15576	15596	15613	15616	15634	16514	16532	16550	16553	16573
	S/T	0.49	0.58	0.66	0.66	0.75	0.52	0.61	0.70	0.70	0.79	0.55	0.65	0.74	0.74	0.84	0.59	0.69	0.78	0.78	0.89
	PI	1.65	1.65	1.65	1.65	1.66	1.75	1.75	1.75	1.75	1.75	1.85	1.86	1.86	1.86	1.86	1.96	1.97	1.97	1.97	1.97
122°F	TC	10979	10994	11006	11006	11021	11641	11655	11666	11669	11682	12336	12352	12366	12369	12382	13080	13094	13108	13110	13127
	S/T	0.50	0.59	0.67	0.67	0.77	0.54	0.63	0.71	0.71	0.81	0.57	0.67	0.76	0.76	0.86	0.60	0.71	0.80	0.80	0.91
	PI	1.42	1.42	1.42	1.42	1.42	1.50	1.50	1.51	1.51	1.51	1.59	1.59	1.60	1.60	1.60	1.69	1.69	1.69	1.69	1.69

24CCHP-HE-SYS-B Expanded Cooling @ 635 CFM

OD DB	ID WB (°F)	60.8 °F					64.4°F					67.0°F					71.6°F				
	ID DB (°F)	73.4 °F	77.0 °F	80.0 °F	80.6 °F	84.2 °F	73.4 °F	77.0 °F	80.0 °F	80.6 °F	84.2 °F	73.4 °F	77.0 °F	80.0 °F	80.6 °F	84.2 °F	73.4 °F	77.0 °F	80.0 °F	80.6 °F	84.2 °F
50°F	TC	20011	20038	20059	20060	20087	21217	21242	21263	21267	21292	22484	22513	22539	22543	22568	23839	23865	23891	23895	23924
	S/T	0.45	0.53	0.60	0.60	0.68	0.48	0.56	0.64	0.64	0.73	0.51	0.59	0.67	0.67	0.77	0.54	0.63	0.72	0.72	0.82
	PI	0.95	0.95	0.95	0.95	0.95	1.01	1.01	1.01	1.01	1.01	1.07	1.07	1.07	1.07	1.07	1.13	1.13	1.14	1.14	1.14
59°F	TC	20507	20535	20557	20558	20586	21743	21769	21791	21795	21821	23042	23072	23098	23102	23128	24431	24457	24484	24488	24518
	S/T	0.45	0.53	0.60	0.60	0.69	0.48	0.56	0.64	0.64	0.73	0.51	0.60	0.68	0.68	0.77	0.54	0.63	0.72	0.72	0.82
	PI	1.02	1.02	1.02	1.02	1.02	1.08	1.08	1.08	1.08	1.08	1.14	1.14	1.15	1.15	1.15	1.21	1.21	1.21	1.21	1.22
68°F	TC	21004	21032	21055	21056	21084	22270	22296	22318	22323	22349	23600	23631	23657	23662	23688	25022	25050	25077	25081	25112
	S/T	0.46	0.55	0.62	0.62	0.71	0.49	0.58	0.66	0.66	0.75	0.52	0.61	0.70	0.70	0.79	0.55	0.65	0.74	0.74	0.84
	PI	1.08	1.08	1.09	1.09	1.09	1.15	1.15	1.15	1.15	1.15	1.22	1.22	1.22	1.22	1.22	1.29	1.29	1.29	1.29	1.30
77°F	TC	21501	21530	21553	21554	21583	22796	22823	22846	22851	22878	24158	24190	24217	24221	24248	25614	25642	25670	25674	25706
	S/T	0.47	0.55	0.63	0.63	0.72	0.50	0.59	0.67	0.67	0.76	0.53	0.62	0.71	0.71	0.80	0.56	0.66	0.75	0.75	0.85
	PI	1.15	1.15	1.15	1.15	1.15	1.22	1.22	1.22	1.22	1.22	1.29	1.29	1.29	1.29	1.30	1.37	1.37	1.37	1.37	1.37
80°F	TC	21670	21699	21722	21723	21752	22976	23003	23025	23030	23057	24348	24380	24407	24412	24439	25815	25843	25871	25875	25908
	S/T	0.48	0.56	0.64	0.64	0.72	0.51	0.59	0.67	0.67	0.77	0.54	0.63	0.71	0.71	0.81	0.57	0.67	0.76	0.76	0.86
	PI	1.29	1.29	1.29	1.29	1.29	1.37	1.37	1.37	1.37	1.37	1.45	1.45	1.45	1.45	1.45	1.53	1.54	1.54	1.54	1.54
86°F	TC	21670	21699	21722	21723	21752	22976	23003	23025	23030	23057	24348	24380	24407	24412	24439	25815	25843	25871	25875	25908
	S/T	0.48	0.57	0.64	0.64	0.73	0.51	0.60	0.68	0.68	0.78	0.54	0.64	0.72	0.72	0.82	0.57	0.67	0.77	0.77	0.87
	PI	1.53	1.53	1.53	1.53	1.53	1.62	1.62	1.62	1.62	1.62	1.71	1.72	1.72	1.72	1.72	1.82	1.82	1.82	1.82	1.82
95°F	TC	21670	21699	21722	21723	21752	22976	23003	23025	23030	23057	24348	24380	24407	24412	24439	25815	25843	25871	25875	25908
	S/T	0.48	0.57	0.64	0.64	0.73	0.51	0.60	0.68	0.68	0.78	0.54	0.64	0.72	0.72	0.82	0.57	0.67	0.77	0.77	0.87
	PI	2.06	2.07	2.07	2.07	2.07	2.19	2.19	2.19	2.19	2.19	2.32	2.32	2.32	2.32	2.33	2.46	2.46	2.46	2.46	2.47
104°F	TC	18660	18685	18705	18706	18731	19784	19808	19827	19831	19855	20966	20994	21017	21021	21044	22230	22254	22278	22282	22309
	S/T	0.49	0.58	0.66	0.66	0.75	0.52	0.62	0.70	0.70	0.80	0.56	0.65	0.74	0.74	0.85	0.59	0.69	0.79	0.79	0.90
	PI	1.97	1.97	1.98	1.98	1.98	2.09	2.09	2.10	2.10	2.10	2.22	2.22	2.22	2.22	2.22	2.35	2.35	2.35	2.35	2.36
110°F	TC	16854	16877	16895	16896	16919	17870	17891	17909	17912	17933	18937	18962	18983	18987	19008	20078	20100	20122	20125	20150
	S/T	0.51	0.60	0.68	0.68	0.78	0.54	0.64	0.72	0.72	0.83	0.58	0.68	0.77	0.77	0.88	0.61	0.72	0.81	0.81	0.93
	PI	1.92	1.92	1.92	1.92	1.92	2.03	2.04	2.04	2.04	2.04	2.15	2.16	2.16	2.16	2.16	2.28	2.29	2.29	2.29	2.29
115°F	TC	14580	14600	14615	14616	14636	15459	15477	15492	15495	15514	16382	16404	16422	16425	16443	17369	17388	17407	17410	17431
	S/T	0.52	0.61	0.69	0.69	0.79	0.55	0.65	0.73	0.73	0.84	0.58	0.68	0.78	0.78	0.89	0.62	0.73	0.82	0.82	0.94
	PI	1.73	1.74	1.74	1.74	1.74	1.84	1.84	1.84	1.84	1.85	1.95	1.95	1.95	1.95	1.96	2.07	2.07	2.07	2.07	2.07
122°F	TC	11548	11563	11576	11576	11592	12244	12258	12270	12273	12287	12975	12992	13007	13009	13024	13757	13772	13787	13789	13806
	S/T	0.53	0.62	0.71	0.71	0.81	0.56	0.66	0.75	0.75	0.86	0.60	0.70	0.80	0.80	0.91	0.63	0.74	0.84	0.84	0.96
	PI	1.49	1.49	1.49	1.49	1.50	1.58	1.58	1.58	1.58	1.59	1.68	1.68	1.68	1.68	1.68	1.78	1.78	1.78	1.78	1.78

24CCHP-HE-SYS-B Expanded Cooling @ 706 CFM

OD DB	ID WB (°F)	60.8 °F					64.4°F					67.0°F					71.6°F				
	ID DB (°F)	73.4 °F	77.0 °F	80.0 °F	80.6 °F	84.2 °F	73.4 °F	77.0 °F	80.0 °F	80.6 °F	84.2 °F	73.4 °F	77.0 °F	80.0 °F	80.6 °F	84.2 °F	73.4 °F	77.0 °F	80.0 °F	80.6 °F	84.2 °F
50°F	TC	21047	21075	21098	21099	21127	22315	22342	22364	22368	22395	23648	23679	23706	23710	23736	25073	25101	25128	25132	25163
	S/T	0.47	0.56	0.63	0.63	0.72	0.50	0.59	0.67	0.67	0.76	0.53	0.62	0.71	0.71	0.81	0.56	0.66	0.75	0.75	0.86
	PI	1.00	1.00	1.00	1.00	1.00	1.06	1.06	1.06	1.06	1.06	1.12	1.13	1.13	1.13	1.13	1.19	1.19	1.19	1.19	1.20
59°F	TC	21569	21598	21622	21623	21652	22869	22896	22919	22923	22951	24235	24267	24294	24298	24326	25696	25724	25752	25756	25788
	S/T	0.48	0.56	0.63	0.63	0.72	0.50	0.59	0.67	0.67	0.77	0.53	0.63	0.71	0.71	0.81	0.57	0.67	0.76	0.76	0.86
	PI	1.07	1.07	1.07	1.07	1.07	1.13	1.14	1.14	1.14	1.14	1.20	1.20	1.21	1.21	1.21	1.27	1.28	1.28	1.28	1.28
68°F	TC	22092	22121	22145	22146	22176	23423	23451	23474	23479	23506	24822	24855	24882	24887	24915	26318	26347	26375	26379	26412
	S/T	0.49	0.57	0.65	0.65	0.74	0.52	0.61	0.69	0.69	0.79	0.55	0.64	0.73	0.73	0.83	0.58	0.68	0.78	0.78	0.88
	PI	1.14	1.14	1.14	1.14	1.14	1.21	1.21	1.21	1.21	1.21	1.28	1.28	1.28	1.28	1.28	1.36	1.36	1.36	1.36	1.36
77°F	TC	22614	22644	22669	22670	22700	23977	24005	24029	24034	24062	25409	25442	25471	25475	25504	26940	26970	26999	27003	27037
	S/T	0.50	0.58	0.66	0.66	0.75	0.52	0.62	0.70	0.70	0.80	0.56	0.65	0.74	0.74	0.85	0.59	0.69	0.79	0.79	0.90
	PI	1.21	1.21	1.21	1.21	1.21	1.28	1.28	1.28	1.28	1.29	1.36	1.36	1.36	1.36	1.36	1.44	1.44	1.44	1.44	1.45
80°F	TC	22792	22822	22847	22848	22879	24165	24194	24218	24222	24251	25609	25642	25671	25676	25704	27152	27181	27211	27215	27249
	S/T	0.50	0.59	0.67	0.67	0.76	0.53	0.62	0.71	0.71	0.81	0.56	0.66	0.75	0.75	0.86	0.60	0.70	0.80	0.80	0.91
	PI	1.35	1.36	1.36	1.36	1.36	1.44	1.44	1.44	1.44	1.44	1.52	1.52	1.53	1.53	1.53	1.61	1.61	1.62	1.62	1.62
86°F	TC	22792	22822	22847	22848	22879	24165	24194	24218	24222	24251	25609	25642	25671	25676	25704	27152	27181	27211	27215	27249
	S/T	0.51	0.60	0.68	0.68	0.77	0.54	0.63	0.72	0.72	0.82	0.57	0.67	0.76	0.76	0.87	0.60	0.71	0.81	0.81	0.92
	PI	1.60	1.61	1.61	1.61	1.61	1.70	1.70	1.71	1.71	1.71	1.80	1.81	1.81	1.81	1.81	1.91	1.91	1.92	1.92	1.92
95°F	TC	22792	22822	22847	22848	22879	24165	24194	24218	24222	24251	25609	25642	25671	25676	25704	27152	27181	27211	27215	27249
	S/T	0.51	0.60	0.68	0.68	0.77	0.54	0.63	0.72	0.72	0.82	0.57	0.67	0.76	0.76	0.87	0.60	0.71	0.81	0.81	0.92
	PI	2.17	2.17	2.17	2.17	2.18	2.30	2.30	2.31	2.31	2.31	2.44	2.44	2.44	2.44	2.45	2.58	2.59	2.59	2.59	2.59
104°F	TC	19626	19653	19674	19675	19701	20809	20834	20854	20858	20883	22052	22081	22105	22109	22134	23381	23406	23432	23435	23465
	S/T	0.52	0.61	0.69	0.69	0.79	0.55	0.65	0.74	0.74	0.84	0.58	0.69	0.78	0.78	0.89	0.62	0.73	0.83	0.83	0.94
	PI	2.07	2.08	2.08	2.08	2.08	2.20	2.20	2.20	2.20	2.21	2.33	2.33	2.34	2.34	2.34	2.47	2.47	2.48	2.48	2.48
110°F	TC	17727	17751	17770	17771	17795	18795	18817	18836	18840	18862	19918	19944	19966	19970	19992	21118	21141	21164	21167	21194
	S/T	0.54	0.63	0.72	0.72	0.82	0.57	0.67	0.76	0.76	0.87	0.61	0.71	0.81	0.81	0.92	0.64	0.75	0.86	0.86	0.98
	PI	2.02	2.02	2.02	2.02	2.02	2.14	2.14	2.14	2.14	2.15	2.27	2.27	2.27	2.27	2.27	2.40	2.41	2.41	2.41	2.41
115°F	TC	15335	15356	15372	15373	15394	16259	16278	16294	16298	16317	17230	17253	17272	17275	17295	18269	18289	18308	18311	18334
	S/T	0.55	0.64	0.73	0.73	0.83	0.58	0.68	0.77	0.77	0.88	0.61	0.72	0.82	0.82	0.93	0.65	0.76	0.87	0.87	0.99
	PI	1.82	1.83	1.83	1.83	1.83	1.93	1.94	1.94	1.94	1.94	2.05	2.05	2.05	2.06	2.06	2.17	2.18	2.18	2.18	2.18
122°F	TC	12146	12162	12175	12176	12192	12878	12893	12906	12908	12924	13647	13665	13680	13683	13698	14469	14485	14501	14503	14521
	S/T	0.56	0.66	0.74	0.74	0.85	0.59	0.69	0.79	0.79	0.90	0.63	0.74	0.84	0.84	0.95	0.67	0.78	0.89	0.89	1.00
	PI	1.57	1.57	1.57	1.57	1.57	1.66	1.66	1.67	1.67	1.67	1.76	1.76	1.77	1.77	1.77	1.87	1.87	1.87	1.87	1.87

24CCHP-HE-SYS-B Expanded Cooling @ 765 CFM

OD DB	ID WB (°F)	60.8 °F					64.4°F					67.0°F					71.6°F				
	ID DB (°F)	73.4 °F	77.0 °F	80.0 °F	80.6 °F	84.2 °F	73.4 °F	77.0 °F	80.0 °F	80.6 °F	84.2 °F	73.4 °F	77.0 °F	80.0 °F	80.6 °F	84.2 °F	73.4 °F	77.0 °F	80.0 °F	80.6 °F	84.2 °F
50°F	TC	22137	22166	22190	22191	22221	23471	23499	23522	23526	23554	24873	24905	24933	24938	24966	26372	26400	26429	26433	26466
	S/T	0.50	0.58	0.66	0.66	0.76	0.53	0.62	0.70	0.70	0.80	0.56	0.66	0.75	0.75	0.85	0.59	0.70	0.79	0.79	0.90
	PI	1.05	1.05	1.05	1.05	1.06	1.12	1.12	1.12	1.12	1.12	1.18	1.18	1.19	1.19	1.19	1.25	1.25	1.26	1.26	1.26
59°F	TC	22686	22717	22741	22742	22773	24053	24082	24106	24110	24139	25490	25523	25552	25557	25585	27026	27056	27085	27089	27123
	S/T	0.50	0.59	0.67	0.67	0.76	0.53	0.62	0.71	0.71	0.81	0.56	0.66	0.75	0.75	0.86	0.60	0.70	0.80	0.80	0.91
	PI	1.13	1.13	1.13	1.13	1.13	1.19	1.19	1.20	1.20	1.20	1.26	1.27	1.27	1.27	1.27	1.34	1.34	1.34	1.34	1.35
68°F	TC	23236	23267	23292	23293	23324	24636	24665	24689	24694	24724	26108	26142	26171	26176	26205	27681	27711	27741	27745	27780
	S/T	0.51	0.60	0.69	0.69	0.78	0.54	0.64	0.73	0.73	0.83	0.58	0.68	0.77	0.77	0.88	0.61	0.72	0.82	0.82	0.93
	PI	1.20	1.20	1.20	1.20	1.20	1.27	1.27	1.27	1.27	1.28	1.35	1.35	1.35	1.35	1.35	1.43	1.43	1.43	1.43	1.43
77°F	TC	23785	23817	23843	23844	23876	25218	25248	25273	25278	25308	26725	26760	26790	26795	26824	28335	28366	28397	28401	28437
	S/T	0.52	0.61	0.69	0.69	0.79	0.55	0.65	0.74	0.74	0.84	0.59	0.69	0.78	0.78	0.89	0.62	0.73	0.83	0.83	0.94
	PI	1.27	1.27	1.27	1.27	1.28	1.35	1.35	1.35	1.35	1.35	1.43	1.43	1.43	1.43	1.43	1.51	1.52	1.52	1.52	1.52
80°F	TC	23972	24004	24030	24031	24063	25416	25447	25472	25477	25507	26935	26970	27000	27005	27035	28558	28589	28620	28624	28660
	S/T	0.53	0.62	0.70	0.70	0.80	0.56	0.66	0.75	0.75	0.85	0.59	0.70	0.79	0.79	0.90	0.63	0.74	0.84	0.84	0.95
	PI	1.42	1.43	1.43	1.43	1.43	1.51	1.51	1.51	1.51	1.52	1.60	1.60	1.60	1.60	1.61	1.70	1.70	1.70	1.70	1.70
86°F	TC	23972	24004	24030	24031	24063	25416	25447	25472	25477	25507	26935	26970	27000	27005	27035	28558	28589	28620	28624	28660
	S/T	0.53	0.63	0.71	0.71	0.81	0.57	0.66	0.75	0.75	0.86	0.60	0.70	0.80	0.80	0.91	0.64	0.75	0.85	0.85	0.97
	PI	1.69	1.69	1.69	1.69	1.69	1.79	1.79	1.79	1.79	1.80	1.90	1.90	1.90	1.90	1.90	2.01	2.01	2.02	2.02	2.02
95°F	TC	23972	24004	24030	24031	24063	25416	25447	25472	25477	25507	26935	26970	27000	27005	27035	28558	28589	28620	28624	28660
	S/T	0.53	0.63	0.71	0.71	0.81	0.57	0.66	0.75	0.75	0.86	0.60	0.70	0.80	0.80	0.91	0.64	0.75	0.85	0.85	0.97
	PI	2.28	2.28	2.29	2.29	2.29	2.42	2.42	2.42	2.43	2.43	2.56	2.57	2.57	2.57	2.57	2.72	2.72	2.72	2.72	2.73
104°F	TC	20642	20670	20692	20693	20721	21886	21912	21934	21938	21964	23194	23224	23250	23254	23280	24591	24618	24645	24649	24680
	S/T	0.55	0.64	0.73	0.73	0.83	0.58	0.68	0.77	0.77	0.88	0.62	0.72	0.82	0.82	0.93	0.65	0.76	0.87	0.87	0.99
	PI	2.18	2.18	2.19	2.19	2.19	2.31	2.32	2.32	2.32	2.32	2.45	2.45	2.46	2.46	2.46	2.60	2.60	2.60	2.60	2.61
110°F	TC	18645	18670	18690	18691	18716	19768	19792	19811	19815	19839	20949	20977	21000	21004	21027	22212	22236	22260	22263	22291
	S/T	0.57	0.67	0.76	0.76	0.86	0.60	0.71	0.80	0.80	0.91	0.64	0.75	0.85	0.85	0.97	0.68	0.79	0.90	0.90	1.00
	PI	2.12	2.12	2.13	2.13	2.13	2.25	2.25	2.25	2.25	2.26	2.38	2.39	2.39	2.39	2.39	2.53	2.53	2.53	2.53	2.54
115°F	TC	16129	16151	16168	16169	16191	17101	17121	17138	17142	17162	18123	18146	18166	18170	18190	19215	19236	19256	19259	19283
	S/T	0.57	0.67	0.77	0.77	0.87	0.61	0.71	0.81	0.81	0.92	0.65	0.76	0.86	0.86	0.98	0.68	0.80	0.91	0.91	1.00
	PI	1.92	1.92	1.92	1.92	1.93	2.03	2.04	2.04	2.04	2.04	2.16	2.16	2.16	2.16	2.16	2.29	2.29	2.29	2.29	2.29
122°F	TC	12775	12792	12806	12806	12823	13545	13561	13574	13577	13593	14354	14372	14388	14391	14407	15219	15235	15252	15254	15273
	S/T	0.59	0.69	0.78	0.78	0.89	0.62	0.73	0.83	0.83	0.95	0.66	0.77	0.88	0.88	1.00	0.70	0.82	0.93	0.93	1.00
	PI	1.65	1.65	1.65	1.65	1.66	1.75	1.75	1.75	1.75	1.75	1.85	1.86	1.86	1.86	1.86	1.96	1.97	1.97	1.97	1.97

24CCHP-HE-SYS-B Expanded Heating @ 547 CFM

CFM	HEATING PERFORMANCE AT INDOOR DRY BULB TEMPERATURE										
	OD DB (°F)	TC : Total Heating Capacity(BTU/hr)					PI : Power Input(kW)				
		Indoor Conditions (DB °F)					Indoor Conditions (DB °F)				
		60.8°F	68°F	70°F	71.6°F	75.2°F	60.8°F	68°F	70°F	71.6°F	75.2°F
547	-22°F	/	/	/	/	/	/	/	/	/	/
	-13°F	9167	8983	8938	8463	8387	1.82	1.83	1.84	1.84	1.85
	-4°F	11282	11056	11001	10416	10322	1.93	1.94	1.95	1.95	1.96
	0°F	13515	13245	13178	12478	12365	2.08	2.09	2.10	2.10	2.11
	5°F	16306	15980	15900	15054	14919	2.26	2.28	2.29	2.29	2.30
	14°F	17628	17276	17189	16275	16129	2.26	2.28	2.29	2.29	2.30
	17°F	18069	17707	17619	16682	16532	2.26	2.28	2.29	2.29	2.30
	22°F	17941	17582	17494	16564	16415	2.24	2.26	2.27	2.27	2.28
	27°F	17813	17457	17369	16446	16298	2.22	2.24	2.24	2.25	2.26
	32°F	17685	17331	17245	16328	16181	2.20	2.22	2.22	2.23	2.24
	35°F	17608	17256	17170	16257	16110	2.19	2.21	2.21	2.21	2.22
	37°F	19551	19160	19064	18050	17888	2.28	2.30	2.30	2.30	2.31
	42°F	24407	23918	23799	22533	22331	2.50	2.52	2.52	2.53	2.54
	44.6°F	26349	25822	25693	24327	24108	2.59	2.61	2.61	2.62	2.63
	47°F	29263	28677	28534	27017	26774	2.72	2.74	2.75	2.75	2.76
	52°F	28846	28269	28128	26632	26392	2.52	2.54	2.55	2.55	2.56
	57°F	28429	27860	27721	26247	26011	2.33	2.35	2.35	2.36	2.36
	59°F	28262	27697	27558	26093	25858	2.25	2.27	2.27	2.28	2.28
62°F	28012	27452	27314	25862	25629	2.13	2.15	2.15	2.16	2.17	
64.4°F	27845	27288	27152	25708	25477	2.05	2.07	2.07	2.08	2.09	

24CCHP-HE-SYS-B Expanded Heating @ 635 CFM

CFM	HEATING PERFORMANCE AT INDOOR DRY BULB TEMPERATURE										
	OD DB (°F)	TC : Total Heating Capacity(BTU/hr)					PI : Power Input(kW)				
		Indoor Conditions (DB °F)					Indoor Conditions (DB °F)				
		60.8°F	68°F	70°F	71.6°F	75.2°F	60.8°F	68°F	70°F	71.6°F	75.2°F
635	-22°F	/	/	/	/	/	/	/	/	/	/
	-13°F	9641	9448	9401	9130	9047	1.84	1.85	1.86	1.86	1.87
	-4°F	11866	11629	11571	11236	11135	1.95	1.96	1.97	1.97	1.98
	0°F	14215	13930	13861	13460	13339	2.10	2.11	2.12	2.12	2.13
	5°F	17150	16807	16723	16240	16094	2.29	2.31	2.31	2.32	2.32
	14°F	18541	18170	18079	17557	17399	2.29	2.30	2.31	2.31	2.32
	17°F	19004	18624	18531	17996	17834	2.29	2.30	2.31	2.31	2.32
	22°F	18870	18492	18400	17868	17707	2.27	2.28	2.29	2.29	2.30
	27°F	18735	18361	18269	17741	17581	2.24	2.26	2.27	2.27	2.28
	32°F	18601	18229	18137	17613	17455	2.22	2.24	2.25	2.25	2.26
	35°F	18520	18149	18059	17537	17379	2.21	2.23	2.23	2.24	2.25
	37°F	20563	20152	20051	19471	19296	2.30	2.32	2.32	2.33	2.34
	42°F	25670	25157	25031	24308	24089	2.52	2.54	2.55	2.55	2.56
	44.6°F	27713	27159	27023	26242	26006	2.61	2.63	2.64	2.64	2.65
	47°F	30778	30162	30012	29144	28882	2.75	2.77	2.77	2.78	2.79
	52°F	30339	29733	29584	28729	28470	2.55	2.57	2.57	2.58	2.59
	57°F	29901	29303	29156	28314	28059	2.35	2.37	2.37	2.38	2.39
59°F	29725	29131	28985	28148	27894	2.27	2.29	2.29	2.30	2.31	
62°F	29462	28873	28729	27898	27647	2.15	2.17	2.17	2.18	2.19	
64.4°F	29287	28701	28558	27732	27483	2.07	2.09	2.09	2.10	2.11	

24CCHP-HE-SYS-B Expanded Heating @ 706 CFM

CFM	HEATING PERFORMANCE AT INDOOR DRY BULB TEMPERATURE										
	OD DB (°F)	TC : Total Heating Capacity(BTU/hr)					PI : Power Input(kW)				
		Indoor Conditions (DB °F)					Indoor Conditions (DB °F)				
		60.8°F	68°F	70°F	71.6°F	75.2°F	60.8°F	68°F	70°F	71.6°F	75.2°F
706	-22°F	/	/	/	/	/	/	/	/	/	/
	-13°F	10140	9938	9888	9848	9760	1.86	1.87	1.87	1.88	1.89
	-4°F	12481	12231	12170	12121	12012	1.97	1.98	1.99	1.99	2.00
	0°F	14951	14652	14578	14520	14389	2.12	2.14	2.14	2.14	2.15
	5°F	18038	17678	17589	17519	17361	2.31	2.33	2.33	2.34	2.35
	14°F	19501	19111	19015	18939	18769	2.31	2.33	2.33	2.34	2.35
	17°F	19988	19589	19491	19413	19238	2.31	2.33	2.33	2.34	2.35
	22°F	19847	19450	19353	19275	19102	2.29	2.31	2.31	2.32	2.33
	27°F	19705	19311	19215	19138	18966	2.27	2.29	2.29	2.29	2.30
	32°F	19564	19172	19077	19000	18829	2.25	2.26	2.27	2.27	2.28
	35°F	19479	19089	18994	18918	18748	2.23	2.25	2.26	2.26	2.27
	37°F	21628	21195	21089	21005	20816	2.32	2.34	2.35	2.35	2.36
	42°F	27000	26460	26327	26222	25986	2.55	2.57	2.57	2.58	2.59
	44.6°F	29148	28565	28423	28309	28054	2.64	2.66	2.67	2.67	2.68
	47°F	32372	31724	31566	31439	31156	2.77	2.80	2.80	2.81	2.82
	52°F	31910	31272	31116	30991	30712	2.57	2.59	2.60	2.61	2.62
	57°F	31449	30820	30666	30543	30269	2.37	2.39	2.40	2.40	2.41
	59°F	31265	30639	30486	30364	30091	2.29	2.31	2.32	2.32	2.33
62°F	30988	30368	30216	30095	29825	2.17	2.19	2.20	2.20	2.21	
64.4°F	30803	30187	30036	29916	29647	2.09	2.11	2.12	2.12	2.13	

24CCHP-HE-SYS-B Expanded Heating @ 765 CFM

CFM	HEATING PERFORMANCE AT INDOOR DRY BULB TEMPERATURE										
	OD DB (°F)	TC : Total Heating Capacity(BTU/hr)					PI : Power Input(kW)				
		Indoor Conditions (DB °F)					Indoor Conditions (DB °F)				
		60.8°F	68°F	70°F	71.6°F	75.2°F	60.8°F	68°F	70°F	71.6°F	75.2°F
765	-22°F	/	/	/	/	/	/	/	/	/	/
	-13°F	10666	10452	10400	10358	10265	1.87	1.89	1.89	1.90	1.90
	-4°F	13127	12864	12800	12749	12634	1.99	2.00	2.01	2.01	2.02
	0°F	15725	15410	15333	15272	15135	2.14	2.16	2.16	2.17	2.18
	5°F	18972	18593	18500	18426	18260	2.33	2.35	2.36	2.36	2.37
	14°F	20511	20101	20000	19920	19741	2.33	2.35	2.36	2.36	2.37
	17°F	21023	20603	20500	20418	20234	2.33	2.35	2.36	2.36	2.37
	22°F	20875	20457	20355	20273	20091	2.31	2.33	2.33	2.34	2.35
	27°F	20726	20311	20210	20129	19948	2.29	2.31	2.31	2.32	2.33
	32°F	20577	20165	20064	19984	19804	2.27	2.29	2.29	2.30	2.31
	35°F	20487	20078	19977	19897	19718	2.26	2.27	2.28	2.28	2.29
	37°F	22747	22293	22181	22092	21893	2.35	2.37	2.37	2.37	2.38
	42°F	28398	27830	27691	27580	27332	2.57	2.59	2.60	2.61	2.62
	44.6°F	30658	30045	29894	29775	29507	2.67	2.69	2.69	2.70	2.71
	47°F	34048	33367	33200	33067	32770	2.80	2.82	2.83	2.84	2.85
	52°F	33563	32891	32727	32596	32303	2.60	2.62	2.63	2.63	2.64
	57°F	33078	32416	32254	32125	31836	2.40	2.42	2.42	2.43	2.44
	59°F	32884	32226	32065	31936	31649	2.32	2.34	2.34	2.35	2.35
62°F	32592	31941	31781	31654	31369	2.20	2.21	2.22	2.22	2.23	
64.4°F	32398	31750	31592	31465	31182	2.12	2.13	2.14	2.14	2.15	

36CCHP-HE-SYS-B Expanded Cooling @ 753 CFM

OD DB	ID WB (°F)	60.8 °F					64.4°F					67.0°F					71.6°F				
	ID DB (°F)	73.4 °F	77.0 °F	80.0 °F	80.6 °F	84.2 °F	73.4 °F	77.0 °F	80.0 °F	80.6 °F	84.2 °F	73.4 °F	77.0 °F	80.0 °F	80.6 °F	84.2 °F	73.4 °F	77.0 °F	80.0 °F	80.6 °F	84.2 °F
50°F	TC	29646	29686	29718	29719	29760	31433	31470	31501	31507	31545	33311	33354	33391	33398	33435	35318	35356	35395	35400	35444
	S/T	0.41	0.48	0.55	0.55	0.62	0.43	0.51	0.58	0.58	0.66	0.46	0.54	0.61	0.61	0.70	0.49	0.57	0.65	0.65	0.74
	PI	1.85	1.86	1.86	1.86	1.86	1.96	1.97	1.97	1.97	1.97	2.08	2.08	2.09	2.09	2.09	2.21	2.21	2.21	2.21	2.21
59°F	TC	30717	30758	30791	30793	30834	32568	32606	32639	32645	32684	34514	34558	34597	34603	34642	36593	36633	36673	36678	36724
	S/T	0.41	0.48	0.55	0.55	0.63	0.44	0.51	0.58	0.58	0.66	0.46	0.54	0.62	0.62	0.70	0.49	0.58	0.65	0.65	0.75
	PI	1.94	1.95	1.95	1.95	1.95	2.06	2.06	2.06	2.06	2.07	2.18	2.19	2.19	2.19	2.19	2.31	2.32	2.32	2.32	2.32
68°F	TC	31787	31830	31864	31866	31909	33703	33743	33776	33783	33823	35716	35763	35803	35809	35849	37868	37909	37951	37957	38004
	S/T	0.42	0.50	0.56	0.56	0.64	0.45	0.53	0.60	0.60	0.68	0.47	0.56	0.63	0.63	0.72	0.50	0.59	0.67	0.67	0.77
	PI	2.03	2.04	2.04	2.04	2.04	2.16	2.16	2.16	2.16	2.16	2.28	2.29	2.29	2.29	2.29	2.42	2.42	2.43	2.43	2.43
77°F	TC	32857	32902	32937	32939	32983	34838	34879	34913	34920	34962	36919	36967	37008	37015	37056	39143	39186	39229	39235	39284
	S/T	0.43	0.50	0.57	0.57	0.65	0.45	0.53	0.61	0.61	0.69	0.48	0.56	0.64	0.64	0.73	0.51	0.60	0.68	0.68	0.78
	PI	2.12	2.13	2.13	2.13	2.13	2.25	2.25	2.26	2.26	2.26	2.39	2.39	2.39	2.39	2.39	2.53	2.53	2.53	2.54	2.54
80°F	TC	32700	32744	32779	32781	32825	34671	34712	34746	34753	34794	36742	36790	36831	36838	36879	38956	38998	39041	39047	39095
	S/T	0.43	0.51	0.58	0.58	0.66	0.46	0.54	0.61	0.61	0.70	0.49	0.57	0.65	0.65	0.74	0.52	0.61	0.69	0.69	0.79
	PI	2.29	2.29	2.29	2.29	2.30	2.43	2.43	2.43	2.43	2.43	2.57	2.57	2.58	2.58	2.58	2.73	2.73	2.73	2.73	2.73
86°F	TC	31625	31667	31701	31703	31746	33531	33570	33603	33610	33650	35534	35580	35620	35626	35666	37675	37716	37757	37763	37810
	S/T	0.44	0.52	0.59	0.59	0.67	0.47	0.55	0.62	0.62	0.71	0.49	0.58	0.66	0.66	0.75	0.52	0.61	0.70	0.70	0.80
	PI	2.56	2.57	2.57	2.57	2.57	2.72	2.72	2.72	2.72	2.73	2.88	2.88	2.89	2.89	2.89	3.05	3.06	3.06	3.06	3.06
95°F	TC	29206	29245	29276	29278	29317	30966	31002	31033	31039	31076	32816	32858	32895	32901	32938	34793	34831	34869	34874	34918
	S/T	0.44	0.52	0.59	0.59	0.67	0.47	0.55	0.62	0.62	0.71	0.49	0.58	0.66	0.66	0.75	0.52	0.61	0.70	0.70	0.80
	PI	3.18	3.19	3.19	3.19	3.20	3.38	3.38	3.38	3.38	3.39	3.58	3.58	3.59	3.59	3.59	3.79	3.80	3.80	3.80	3.81
104°F	TC	23821	23853	23879	23880	23912	25256	25286	25311	25316	25346	26765	26800	26830	26835	26865	28378	28409	28440	28444	28480
	S/T	0.45	0.53	0.60	0.60	0.68	0.48	0.56	0.64	0.64	0.73	0.51	0.59	0.67	0.67	0.77	0.54	0.63	0.71	0.71	0.81
	PI	2.71	2.71	2.72	2.72	2.72	2.87	2.88	2.88	2.88	2.88	3.05	3.05	3.05	3.05	3.06	3.23	3.23	3.24	3.24	3.24
110°F	TC	20590	20618	20640	20641	20669	21831	21857	21878	21883	21909	23135	23165	23191	23195	23221	24529	24556	24582	24586	24617
	S/T	0.47	0.55	0.62	0.62	0.71	0.49	0.58	0.66	0.66	0.75	0.52	0.62	0.70	0.70	0.80	0.56	0.65	0.74	0.74	0.84
	PI	2.43	2.43	2.43	2.43	2.44	2.57	2.58	2.58	2.58	2.58	2.73	2.73	2.73	2.73	2.74	2.89	2.89	2.90	2.90	2.90
115°F	TC	16974	16997	17015	17016	17039	17997	18018	18036	18039	18061	19072	19097	19118	19122	19143	20221	20243	20265	20268	20293
	S/T	0.47	0.55	0.63	0.63	0.72	0.50	0.59	0.67	0.67	0.76	0.53	0.62	0.71	0.71	0.81	0.56	0.66	0.75	0.75	0.85
	PI	2.15	2.15	2.16	2.16	2.16	2.28	2.28	2.28	2.29	2.29	2.42	2.42	2.42	2.42	2.43	2.56	2.56	2.57	2.57	2.57
122°F	TC	12152	12169	12182	12182	12199	12885	12900	12913	12915	12931	13654	13672	13687	13690	13705	14477	14493	14509	14511	14529
	S/T	0.48	0.57	0.64	0.64	0.73	0.51	0.60	0.68	0.68	0.78	0.54	0.64	0.72	0.72	0.83	0.58	0.68	0.77	0.77	0.87
	PI	1.78	1.78	1.79	1.79	1.79	1.89	1.89	1.89	1.89	1.89	2.00	2.00	2.01	2.01	2.01	2.12	2.12	2.13	2.13	2.13

36CCHP-HE-SYS-B Expanded Cooling @ 853 CFM

OD DB	ID WB (°F)	60.8 °F					64.4°F					67.0°F					71.6°F				
	ID DB (°F)	73.4 °F	77.0 °F	80.0 °F	80.6 °F	84.2 °F	73.4 °F	77.0 °F	80.0 °F	80.6 °F	84.2 °F	73.4 °F	77.0 °F	80.0 °F	80.6 °F	84.2 °F	73.4 °F	77.0 °F	80.0 °F	80.6 °F	84.2 °F
50°F	TC	31643	31686	31720	31721	31764	33550	33590	33623	33630	33670	35555	35601	35640	35647	35687	37697	37738	37779	37785	37832
	S/T	0.44	0.51	0.58	0.58	0.66	0.46	0.54	0.62	0.62	0.70	0.49	0.58	0.66	0.66	0.75	0.52	0.61	0.69	0.69	0.79
	PI	1.98	1.98	1.98	1.98	1.98	2.10	2.10	2.10	2.10	2.10	2.22	2.22	2.23	2.23	2.23	2.36	2.36	2.36	2.36	2.36
59°F	TC	32786	32830	32865	32867	32911	34762	34803	34837	34844	34885	36838	36886	36927	36934	36975	39058	39100	39143	39149	39198
	S/T	0.44	0.52	0.59	0.59	0.67	0.47	0.55	0.62	0.62	0.71	0.49	0.58	0.66	0.66	0.75	0.52	0.61	0.70	0.70	0.80
	PI	2.07	2.08	2.08	2.08	2.08	2.20	2.20	2.20	2.20	2.21	2.33	2.33	2.34	2.34	2.34	2.47	2.47	2.48	2.48	2.48
68°F	TC	33928	33974	34010	34012	34058	35973	36015	36051	36058	36101	38122	38172	38214	38221	38264	40419	40463	40507	40513	40564
	S/T	0.45	0.53	0.60	0.60	0.69	0.48	0.56	0.64	0.64	0.73	0.51	0.59	0.68	0.68	0.77	0.54	0.63	0.72	0.72	0.82
	PI	2.17	2.17	2.18	2.18	2.18	2.30	2.30	2.31	2.31	2.31	2.44	2.44	2.44	2.44	2.45	2.59	2.59	2.59	2.59	2.59
77°F	TC	35071	35118	35156	35157	35205	37184	37228	37265	37272	37317	39406	39457	39501	39508	39552	41780	41825	41871	41877	41930
	S/T	0.46	0.54	0.61	0.61	0.69	0.48	0.57	0.65	0.65	0.74	0.51	0.60	0.68	0.68	0.78	0.54	0.64	0.73	0.73	0.83
	PI	2.27	2.27	2.27	2.27	2.27	2.40	2.41	2.41	2.41	2.41	2.55	2.55	2.55	2.55	2.56	2.70	2.70	2.71	2.71	2.71
80°F	TC	34903	34949	34987	34989	35036	37006	37050	37086	37094	37138	39217	39268	39312	39319	39363	41580	41625	41670	41677	41729
	S/T	0.46	0.54	0.62	0.62	0.70	0.49	0.58	0.65	0.65	0.75	0.52	0.61	0.69	0.69	0.79	0.55	0.65	0.74	0.74	0.84
	PI	2.44	2.44	2.45	2.45	2.45	2.59	2.59	2.59	2.59	2.60	2.74	2.75	2.75	2.75	2.75	2.91	2.91	2.92	2.92	2.92
86°F	TC	33755	33800	33837	33838	33884	35789	35832	35867	35874	35917	37927	37977	38019	38026	38068	40213	40256	40300	40306	40357
	S/T	0.47	0.55	0.62	0.63	0.71	0.50	0.58	0.66	0.66	0.76	0.53	0.62	0.70	0.70	0.80	0.56	0.66	0.74	0.74	0.85
	PI	2.74	2.74	2.74	2.74	2.75	2.90	2.90	2.91	2.91	2.91	3.07	3.08	3.08	3.08	3.09	3.26	3.26	3.27	3.27	3.27
95°F	TC	31173	31215	31248	31250	31292	33051	33091	33123	33130	33169	35026	35072	35111	35117	35156	37137	37177	37217	37223	37270
	S/T	0.47	0.55	0.62	0.63	0.71	0.50	0.58	0.66	0.66	0.76	0.53	0.62	0.70	0.70	0.80	0.56	0.66	0.74	0.74	0.85
	PI	3.40	3.40	3.41	3.41	3.41	3.60	3.61	3.61	3.61	3.62	3.82	3.82	3.83	3.83	3.83	4.05	4.05	4.06	4.06	4.06
104°F	TC	25425	25460	25487	25488	25522	26958	26990	27016	27022	27054	28568	28605	28637	28642	28674	30289	30322	30355	30360	30398
	S/T	0.48	0.56	0.64	0.64	0.73	0.51	0.60	0.68	0.68	0.77	0.54	0.63	0.72	0.72	0.82	0.57	0.67	0.76	0.76	0.87
	PI	2.89	2.90	2.90	2.90	2.90	3.07	3.07	3.07	3.08	3.08	3.25	3.26	3.26	3.26	3.26	3.45	3.45	3.45	3.46	3.46
110°F	TC	21977	22006	22030	22031	22061	23301	23329	23352	23357	23384	24693	24725	24753	24758	24785	26181	26210	26238	26242	26275
	S/T	0.50	0.58	0.66	0.66	0.76	0.53	0.62	0.70	0.70	0.80	0.56	0.66	0.75	0.75	0.85	0.59	0.70	0.79	0.79	0.90
	PI	2.59	2.59	2.60	2.60	2.60	2.75	2.75	2.75	2.75	2.76	2.91	2.91	2.92	2.92	2.92	3.09	3.09	3.09	3.09	3.10
115°F	TC	18117	18142	18161	18162	18186	19209	19232	19251	19255	19277	20357	20383	20406	20410	20432	21583	21607	21630	21633	21660
	S/T	0.50	0.59	0.67	0.67	0.77	0.53	0.63	0.71	0.71	0.81	0.57	0.66	0.75	0.75	0.86	0.60	0.70	0.80	0.80	0.91
	PI	2.30	2.30	2.30	2.30	2.30	2.43	2.44	2.44	2.44	2.44	2.58	2.58	2.59	2.59	2.59	2.73	2.74	2.74	2.74	2.74
122°F	TC	12971	12988	13002	13003	13020	13753	13769	13782	13785	13801	14574	14593	14609	14612	14628	15452	15469	15486	15488	15508
	S/T	0.52	0.60	0.69	0.69	0.78	0.55	0.64	0.73	0.73	0.83	0.58	0.68	0.77	0.77	0.88	0.61	0.72	0.82	0.82	0.93
	PI	1.90	1.90	1.91	1.91	1.91	2.02	2.02	2.02	2.02	2.02	2.14	2.14	2.14	2.14	2.14	2.26	2.27	2.27	2.27	2.27

36CCHP-HE-SYS-B Expanded Cooling @ 947 CFM

OD DB	ID WB (°F)	60.8 °F					64.4°F					67.0°F					71.6°F				
	ID DB (°F)	73.4 °F	77.0 °F	80.0 °F	80.6 °F	84.2 °F	73.4 °F	77.0 °F	80.0 °F	80.6 °F	84.2 °F	73.4 °F	77.0 °F	80.0 °F	80.6 °F	84.2 °F	73.4 °F	77.0 °F	80.0 °F	80.6 °F	84.2 °F
50°F	TC	33775	33820	33857	33858	33904	35810	35852	35888	35895	35938	37950	37999	38041	38048	38091	40236	40280	40324	40330	40380
	S/T	0.47	0.55	0.62	0.62	0.71	0.49	0.58	0.66	0.66	0.75	0.52	0.62	0.70	0.70	0.80	0.56	0.65	0.74	0.74	0.84
	PI	2.11	2.11	2.12	2.12	2.12	2.24	2.24	2.24	2.24	2.25	2.37	2.37	2.38	2.38	2.38	2.51	2.52	2.52	2.52	2.52
59°F	TC	34994	35041	35079	35080	35128	37103	37147	37184	37191	37235	39320	39371	39415	39422	39466	41689	41734	41780	41786	41838
	S/T	0.47	0.55	0.63	0.63	0.71	0.50	0.58	0.66	0.66	0.76	0.53	0.62	0.70	0.70	0.80	0.56	0.66	0.74	0.74	0.85
	PI	2.21	2.22	2.22	2.22	2.22	2.35	2.35	2.35	2.35	2.36	2.49	2.49	2.49	2.49	2.50	2.64	2.64	2.64	2.64	2.65
68°F	TC	36214	36262	36301	36303	36352	38396	38441	38479	38487	38533	40690	40743	40788	40796	40841	43142	43188	43235	43242	43296
	S/T	0.48	0.57	0.64	0.64	0.73	0.51	0.60	0.68	0.68	0.78	0.54	0.63	0.72	0.72	0.82	0.57	0.67	0.76	0.76	0.87
	PI	2.32	2.32	2.32	2.32	2.32	2.46	2.46	2.46	2.46	2.46	2.60	2.61	2.61	2.61	2.61	2.76	2.76	2.77	2.77	2.77
77°F	TC	37433	37483	37524	37525	37576	39689	39736	39775	39783	39830	42060	42115	42162	42169	42217	44594	44643	44691	44698	44754
	S/T	0.49	0.57	0.65	0.65	0.74	0.52	0.61	0.69	0.69	0.79	0.55	0.64	0.73	0.73	0.83	0.58	0.68	0.77	0.77	0.88
	PI	2.42	2.42	2.42	2.42	2.43	2.56	2.57	2.57	2.57	2.57	2.72	2.72	2.72	2.72	2.73	2.88	2.88	2.89	2.89	2.89
80°F	TC	37254	37304	37344	37345	37396	39499	39545	39584	39592	39639	41858	41913	41959	41967	42014	44380	44429	44477	44484	44539
	S/T	0.49	0.58	0.66	0.66	0.75	0.52	0.61	0.70	0.70	0.80	0.56	0.65	0.74	0.74	0.84	0.59	0.69	0.78	0.78	0.89
	PI	2.61	2.61	2.61	2.61	2.62	2.76	2.77	2.77	2.77	2.77	2.93	2.93	2.94	2.94	2.94	3.10	3.11	3.11	3.11	3.12
86°F	TC	36029	36077	36116	36118	36166	38200	38245	38283	38290	38336	40482	40535	40580	40587	40633	42921	42968	43015	43021	43075
	S/T	0.50	0.59	0.67	0.67	0.76	0.53	0.62	0.71	0.71	0.81	0.56	0.66	0.75	0.75	0.85	0.60	0.70	0.79	0.79	0.91
	PI	2.92	2.92	2.93	2.93	2.93	3.10	3.10	3.10	3.10	3.11	3.28	3.29	3.29	3.29	3.29	3.48	3.48	3.49	3.49	3.49
95°F	TC	33273	33317	33353	33355	33400	35278	35320	35354	35361	35403	37385	37434	37476	37483	37525	39638	39681	39724	39730	39780
	S/T	0.50	0.59	0.67	0.67	0.76	0.53	0.62	0.71	0.71	0.81	0.56	0.66	0.75	0.75	0.85	0.60	0.70	0.79	0.79	0.91
	PI	3.63	3.63	3.64	3.64	3.64	3.85	3.85	3.85	3.85	3.86	4.08	4.08	4.08	4.09	4.09	4.32	4.33	4.33	4.33	4.34
104°F	TC	27138	27174	27204	27205	27242	28773	28808	28836	28842	28876	30492	30532	30566	30572	30606	32330	32365	32400	32405	32445
	S/T	0.51	0.60	0.68	0.68	0.78	0.54	0.64	0.72	0.72	0.83	0.58	0.68	0.77	0.77	0.88	0.61	0.72	0.81	0.81	0.93
	PI	3.09	3.09	3.10	3.10	3.10	3.27	3.28	3.28	3.28	3.29	3.47	3.47	3.48	3.48	3.48	3.68	3.68	3.69	3.69	3.69
110°F	TC	23457	23489	23514	23515	23547	24871	24900	24925	24930	24959	26357	26391	26420	26425	26455	27945	27975	28006	28010	28045
	S/T	0.53	0.62	0.71	0.71	0.81	0.56	0.66	0.75	0.75	0.86	0.60	0.70	0.80	0.80	0.91	0.63	0.74	0.84	0.84	0.96
	PI	2.77	2.77	2.77	2.77	2.78	2.93	2.94	2.94	2.94	2.94	3.11	3.11	3.11	3.12	3.12	3.29	3.30	3.30	3.30	3.31
115°F	TC	19337	19363	19384	19385	19411	20503	20527	20547	20551	20576	21728	21756	21780	21784	21809	23037	23062	23087	23091	23119
	S/T	0.54	0.63	0.72	0.72	0.82	0.57	0.67	0.76	0.76	0.87	0.60	0.71	0.81	0.81	0.92	0.64	0.75	0.85	0.85	0.97
	PI	2.45	2.45	2.46	2.46	2.46	2.60	2.60	2.60	2.60	2.61	2.75	2.76	2.76	2.76	2.76	2.92	2.92	2.92	2.93	2.93
122°F	TC	13845	13863	13878	13879	13897	14679	14696	14711	14714	14731	15556	15576	15593	15596	15614	16493	16511	16529	16532	16552
	S/T	0.55	0.65	0.73	0.73	0.84	0.58	0.68	0.78	0.78	0.89	0.62	0.73	0.82	0.82	0.94	0.66	0.77	0.87	0.87	1.00
	PI	2.03	2.03	2.03	2.03	2.04	2.15	2.15	2.16	2.16	2.16	2.28	2.28	2.29	2.29	2.29	2.42	2.42	2.42	2.42	2.43

36CCHP-HE-SYS-B Expanded Cooling @ 1,041 CFM

OD DB	ID WB (°F)	60.8 °F					64.4°F					67.0°F					71.6°F				
	ID DB (°F)	73.4 °F	77.0 °F	80.0 °F	80.6 °F	84.2 °F	73.4 °F	77.0 °F	80.0 °F	80.6 °F	84.2 °F	73.4 °F	77.0 °F	80.0 °F	80.6 °F	84.2 °F	73.4 °F	77.0 °F	80.0 °F	80.6 °F	84.2 °F
50°F	TC	36050	36098	36137	36139	36187	38222	38267	38305	38313	38358	40506	40558	40604	40611	40656	42946	42993	43040	43046	43100
	S/T	0.50	0.58	0.66	0.66	0.76	0.53	0.62	0.70	0.70	0.80	0.56	0.66	0.75	0.75	0.85	0.59	0.70	0.79	0.79	0.90
	PI	2.25	2.26	2.26	2.26	2.26	2.39	2.39	2.39	2.39	2.40	2.53	2.53	2.54	2.54	2.54	2.68	2.69	2.69	2.69	2.69
59°F	TC	37351	37401	37442	37443	37494	39602	39649	39688	39696	39743	41968	42023	42070	42077	42124	44497	44545	44594	44601	44656
	S/T	0.50	0.59	0.67	0.67	0.76	0.53	0.62	0.71	0.71	0.81	0.56	0.66	0.75	0.75	0.86	0.60	0.70	0.80	0.80	0.91
	PI	2.36	2.37	2.37	2.37	2.37	2.50	2.51	2.51	2.51	2.51	2.65	2.66	2.66	2.66	2.66	2.81	2.82	2.82	2.82	2.82
68°F	TC	38653	38705	38746	38748	38800	40982	41031	41071	41079	41128	43431	43487	43536	43544	43592	46047	46098	46148	46155	46212
	S/T	0.51	0.60	0.69	0.69	0.78	0.54	0.64	0.73	0.73	0.83	0.58	0.68	0.77	0.77	0.88	0.61	0.72	0.82	0.82	0.93
	PI	2.47	2.48	2.48	2.48	2.48	2.62	2.62	2.63	2.63	2.63	2.78	2.78	2.78	2.78	2.79	2.95	2.95	2.95	2.95	2.96
77°F	TC	39954	40008	40051	40053	40107	42362	42412	42454	42463	42513	44893	44951	45002	45010	45060	47598	47650	47702	47709	47768
	S/T	0.52	0.61	0.69	0.69	0.79	0.55	0.65	0.74	0.74	0.84	0.59	0.69	0.78	0.78	0.89	0.62	0.73	0.83	0.83	0.94
	PI	2.58	2.59	2.59	2.59	2.59	2.74	2.74	2.74	2.74	2.75	2.90	2.90	2.91	2.91	2.91	3.08	3.08	3.08	3.08	3.09
80°F	TC	39763	39816	39859	39861	39915	42159	42209	42251	42259	42309	44678	44736	44786	44794	44844	47370	47421	47473	47480	47539
	S/T	0.53	0.62	0.70	0.70	0.80	0.56	0.66	0.75	0.75	0.85	0.59	0.70	0.79	0.79	0.90	0.63	0.74	0.84	0.84	0.95
	PI	2.78	2.79	2.79	2.79	2.79	2.95	2.95	2.96	2.96	2.96	3.13	3.13	3.13	3.13	3.14	3.31	3.32	3.32	3.32	3.33
86°F	TC	38455	38507	38549	38550	38602	40773	40821	40862	40870	40918	43209	43265	43313	43321	43370	45812	45862	45912	45919	45976
	S/T	0.53	0.63	0.71	0.71	0.81	0.57	0.66	0.75	0.75	0.86	0.60	0.70	0.80	0.80	0.91	0.64	0.75	0.85	0.85	0.97
	PI	3.12	3.12	3.12	3.12	3.13	3.30	3.31	3.31	3.31	3.32	3.50	3.51	3.51	3.51	3.52	3.71	3.72	3.72	3.72	3.73
95°F	TC	35514	35562	35600	35601	35649	37654	37699	37736	37743	37788	39904	39955	40000	40007	40052	42308	42354	42400	42407	42459
	S/T	0.53	0.63	0.71	0.71	0.81	0.57	0.66	0.75	0.75	0.86	0.60	0.70	0.80	0.80	0.91	0.64	0.75	0.85	0.85	0.97
	PI	3.87	3.88	3.88	3.88	3.89	4.10	4.11	4.11	4.11	4.12	4.35	4.36	4.36	4.36	4.37	4.61	4.62	4.62	4.62	4.63
104°F	TC	28966	29005	29036	29037	29077	30712	30748	30778	30784	30821	32546	32589	32625	32631	32667	34507	34545	34583	34588	34631
	S/T	0.55	0.64	0.73	0.73	0.83	0.58	0.68	0.77	0.77	0.88	0.62	0.72	0.82	0.82	0.93	0.65	0.76	0.87	0.87	0.99
	PI	3.30	3.30	3.30	3.30	3.31	3.50	3.50	3.50	3.50	3.51	3.70	3.71	3.71	3.71	3.72	3.93	3.93	3.94	3.94	3.94
110°F	TC	25037	25071	25098	25099	25133	26546	26578	26604	26609	26641	28132	28169	28200	28205	28237	29827	29860	29892	29897	29934
	S/T	0.57	0.67	0.76	0.76	0.86	0.60	0.71	0.80	0.80	0.91	0.64	0.75	0.85	0.85	0.97	0.68	0.79	0.90	0.90	1.00
	PI	2.95	2.96	2.96	2.96	2.96	3.13	3.13	3.14	3.14	3.14	3.32	3.32	3.32	3.33	3.33	3.52	3.52	3.52	3.52	3.53
115°F	TC	20640	20668	20690	20691	20719	21884	21910	21931	21936	21962	23191	23221	23247	23252	23278	24589	24615	24642	24646	24677
	S/T	0.57	0.67	0.77	0.77	0.87	0.61	0.71	0.81	0.81	0.92	0.65	0.76	0.86	0.86	0.98	0.68	0.80	0.91	0.91	1.00
	PI	2.61	2.62	2.62	2.62	2.62	2.77	2.78	2.78	2.78	2.78	2.94	2.94	2.94	2.95	2.95	3.11	3.12	3.12	3.12	3.13
122°F	TC	14777	14797	14813	14814	14834	15668	15686	15702	15705	15723	16604	16625	16644	16647	16665	17604	17623	17642	17645	17667
	S/T	0.59	0.69	0.78	0.78	0.89	0.62	0.73	0.83	0.83	0.95	0.66	0.77	0.88	0.88	1.00	0.70	0.82	0.93	0.93	1.00
	PI	2.17	2.17	2.17	2.17	2.17	2.30	2.30	2.30	2.30	2.30	2.43	2.44	2.44	2.44	2.44	2.58	2.58	2.59	2.59	2.59

36CCHP-HE-SYS-B Expanded Heating @ 753 CFM

CFM	HEATING PERFORMANCE AT INDOOR DRY BULB TEMPERATURE										
	OD DB (°F)	TC : Total Heating Capacity(BTU/hr)					PI : Power Input(kW)				
		Indoor Conditions (DB °F)					Indoor Conditions (DB °F)				
		60.8°F	68°F	70°F	71.6°F	75.2°F	60.8°F	68°F	70°F	71.6°F	75.2°F
753	-22°F	/	/	/	/	/	/	/	/	/	/
	-13°F	13916	13637	13569	13249	13130	3.04	3.06	3.07	3.07	3.09
	-4°F	17542	17191	17105	16702	16552	3.27	3.30	3.30	3.31	3.32
	0°F	19716	19322	19225	18772	18603	3.33	3.36	3.36	3.37	3.38
	5°F	22434	21985	21875	21359	21167	3.40	3.43	3.44	3.45	3.46
	14°F	23383	22915	22800	22263	22062	3.52	3.55	3.56	3.57	3.58
	17°F	23699	23225	23109	22564	22361	3.56	3.59	3.60	3.61	3.62
	22°F	24506	24016	23895	23332	23122	3.49	3.52	3.52	3.53	3.54
	27°F	25312	24806	24682	24100	23883	3.41	3.44	3.45	3.45	3.47
	32°F	26119	25597	25469	24868	24645	3.33	3.36	3.37	3.38	3.39
	35°F	26603	26071	25941	25329	25101	3.29	3.32	3.32	3.33	3.34
	37°F	28143	27580	27443	26796	26554	3.31	3.34	3.35	3.35	3.37
	42°F	31993	31354	31197	30461	30187	3.38	3.40	3.41	3.42	3.43
	44.6°F	33533	32863	32698	31928	31640	3.40	3.43	3.44	3.44	3.46
	47°F	35843	35127	34951	34127	33820	3.44	3.47	3.47	3.48	3.49
	52°F	35477	34767	34594	33778	33474	3.22	3.24	3.25	3.26	3.27
	57°F	35110	34408	34236	33429	33128	3.00	3.02	3.03	3.03	3.04
59°F	34964	34265	34093	33289	32990	2.91	2.93	2.94	2.94	2.95	
62°F	34744	34049	33879	33080	32782	2.77	2.80	2.80	2.81	2.82	
64.4°F	34597	33905	33736	32940	32644	2.68	2.71	2.71	2.72	2.73	

36CCHP-HE-SYS-B Expanded Heating @ 853 CFM

CFM	HEATING PERFORMANCE AT INDOOR DRY BULB TEMPERATURE										
	OD DB (°F)	TC : Total Heating Capacity(BTU/hr)					PI : Power Input(kW)				
		Indoor Conditions (DB °F)					Indoor Conditions (DB °F)				
		60.8°F	68°F	70°F	71.6°F	75.2°F	60.8°F	68°F	70°F	71.6°F	75.2°F
853	-22°F	/	/	/	/	/	/	/	/	/	/
	-13°F	14853	14556	14483	14283	14154	3.07	3.09	3.10	3.10	3.12
	-4°F	18724	18349	18258	18005	17843	3.30	3.33	3.34	3.34	3.36
	0°F	21044	20623	20520	20236	20054	3.36	3.39	3.40	3.40	3.42
	5°F	23945	23466	23349	23026	22818	3.44	3.47	3.47	3.48	3.49
	14°F	24958	24458	24336	23999	23783	3.56	3.59	3.60	3.60	3.62
	17°F	25295	24789	24665	24324	24105	3.60	3.63	3.64	3.64	3.66
	22°F	26156	25633	25505	25152	24926	3.52	3.55	3.56	3.57	3.58
	27°F	27017	26477	26345	25980	25746	3.45	3.47	3.48	3.49	3.50
	32°F	27879	27321	27184	26808	26567	3.37	3.40	3.40	3.41	3.42
	35°F	28395	27827	27688	27305	27059	3.32	3.35	3.36	3.36	3.38
	37°F	30039	29438	29291	28886	28626	3.35	3.37	3.38	3.39	3.40
	42°F	34148	33465	33298	32837	32542	3.41	3.44	3.45	3.45	3.47
	44.6°F	35792	35076	34901	34418	34108	3.44	3.46	3.47	3.48	3.49
	47°F	38258	37493	37305	36789	36458	3.47	3.50	3.51	3.52	3.53
	52°F	37867	37109	36924	36413	36085	3.25	3.28	3.28	3.29	3.30
	57°F	37475	36726	36542	36037	35712	3.03	3.05	3.06	3.06	3.07
	59°F	37319	36573	36390	35886	35563	2.94	2.96	2.97	2.97	2.98
62°F	37084	36343	36161	35660	35340	2.80	2.82	2.83	2.84	2.85	
64.4°F	36928	36189	36008	35510	35190	2.71	2.73	2.74	2.74	2.76	

36CCHP-HE-SYS-B Expanded Heating @ 947 CFM

CFM	HEATING PERFORMANCE AT INDOOR DRY BULB TEMPERATURE										
	OD DB (°F)	TC : Total Heating Capacity(BTU/hr)					PI : Power Input(kW)				
		Indoor Conditions (DB °F)					Indoor Conditions (DB °F)				
		60.8°F	68°F	70°F	71.6°F	75.2°F	60.8°F	68°F	70°F	71.6°F	75.2°F
947	-22°F	/	/	/	/	/	/	/	/	/	/
	-13°F	15853	15536	15459	15397	15258	3.10	3.12	3.13	3.14	3.15
	-4°F	19985	19585	19487	19409	19235	3.34	3.36	3.37	3.38	3.39
	0°F	22462	22013	21902	21815	21619	3.40	3.43	3.43	3.44	3.45
	5°F	25558	25047	24921	24822	24598	3.47	3.50	3.51	3.52	3.53
	14°F	26639	26106	25975	25871	25639	3.60	3.62	3.63	3.64	3.65
	17°F	26999	26459	26327	26221	25985	3.64	3.67	3.67	3.68	3.69
	22°F	27918	27360	27223	27114	26870	3.56	3.59	3.59	3.60	3.62
	27°F	28837	28261	28119	28007	27755	3.48	3.51	3.52	3.52	3.54
	32°F	29756	29161	29016	28899	28639	3.40	3.43	3.44	3.44	3.46
	35°F	30308	29702	29553	29435	29170	3.36	3.38	3.39	3.40	3.41
	37°F	32062	31421	31264	31139	30859	3.38	3.41	3.42	3.42	3.44
	42°F	36449	35720	35541	35399	35080	3.45	3.47	3.48	3.49	3.50
	44.6°F	38203	37439	37252	37103	36769	3.47	3.50	3.51	3.51	3.53
	47°F	40835	40018	39818	39659	39302	3.51	3.54	3.54	3.55	3.57
	52°F	40417	39609	39411	39253	38900	3.28	3.31	3.32	3.32	3.34
	57°F	40000	39200	39004	38848	38498	3.06	3.08	3.09	3.09	3.11
59°F	39833	39036	38841	38685	38337	2.97	2.99	3.00	3.00	3.01	
62°F	39582	38790	38597	38442	38096	2.83	2.85	2.86	2.86	2.88	
64.4°F	39415	38627	38434	38280	37935	2.74	2.76	2.77	2.77	2.78	

36CCHP-HE-SYS-B Expanded Heating @ 1,041 CFM

CFM	HEATING PERFORMANCE AT INDOOR DRY BULB TEMPERATURE										
	OD DB (°F)	TC : Total Heating Capacity(BTU/hr)					PI : Power Input(kW)				
		Indoor Conditions (DB °F)					Indoor Conditions (DB °F)				
		60.8°F	68°F	70°F	71.6°F	75.2°F	60.8°F	68°F	70°F	71.6°F	75.2°F
1041	-22°F	/	/	/	/	/	/	/	/	/	/
	-13°F	16921	16583	16500	16434	16286	3.13	3.15	3.16	3.17	3.18
	-4°F	21331	20905	20800	20717	20530	3.37	3.40	3.41	3.41	3.43
	0°F	23975	23495	23378	23284	23075	3.43	3.46	3.47	3.47	3.49
	5°F	27279	26734	26600	26494	26255	3.51	3.54	3.54	3.55	3.57
	14°F	28433	27864	27725	27614	27366	3.63	3.66	3.67	3.68	3.69
	17°F	28818	28241	28100	27988	27736	3.67	3.70	3.71	3.72	3.73
	22°F	29799	29203	29057	28940	28680	3.59	3.62	3.63	3.64	3.65
	27°F	30780	30164	30013	29893	29624	3.52	3.54	3.55	3.56	3.57
	32°F	31761	31126	30970	30846	30568	3.44	3.46	3.47	3.48	3.49
	35°F	32349	31702	31544	31418	31135	3.39	3.42	3.42	3.43	3.44
	37°F	34222	33538	33370	33236	32937	3.42	3.44	3.45	3.46	3.47
	42°F	38904	38126	37935	37783	37443	3.48	3.51	3.52	3.52	3.54
	44.6°F	40776	39961	39761	39602	39246	3.51	3.53	3.54	3.55	3.56
	47°F	43585	42714	42500	42330	41949	3.54	3.57	3.58	3.59	3.60
	52°F	43140	42277	42065	41897	41520	3.32	3.34	3.35	3.36	3.37
	57°F	42694	41840	41631	41464	41091	3.09	3.11	3.12	3.12	3.14
59°F	42516	41665	41457	41291	40920	3.00	3.02	3.03	3.03	3.04	
62°F	42248	41403	41196	41032	40662	2.86	2.88	2.89	2.89	2.90	
64.4°F	42070	41229	41022	40858	40491	2.77	2.79	2.80	2.80	2.81	

48CCHP-HE-SYS-B Expanded Cooling @ 800 CFM

OD DB	ID WB (°F)	60.8 °F					64.4°F					67.0°F					71.6°F				
	ID DB (°F)	73.4 °F	77.0 °F	80.0 °F	80.6 °F	84.2 °F	73.4 °F	77.0 °F	80.0 °F	80.6 °F	84.2 °F	73.4 °F	77.0 °F	80.0 °F	80.6 °F	84.2 °F	73.4 °F	77.0 °F	80.0 °F	80.6 °F	84.2 °F
50°F	TC	44596	44656	44705	44707	44767	47284	47340	47387	47396	47452	50109	50174	50230	50239	50295	53128	53186	53244	53252	53318
	S/T	0.41	0.48	0.55	0.55	0.62	0.43	0.51	0.58	0.58	0.66	0.46	0.54	0.61	0.61	0.70	0.49	0.57	0.65	0.65	0.74
	PI	2.73	2.74	2.74	2.74	2.74	2.90	2.90	2.91	2.91	2.91	3.07	3.08	3.08	3.08	3.08	3.26	3.26	3.26	3.26	3.27
59°F	TC	44029	44088	44136	44138	44197	46683	46738	46784	46793	46849	49472	49536	49591	49600	49656	52452	52509	52567	52575	52640
	S/T	0.41	0.48	0.55	0.55	0.63	0.44	0.51	0.58	0.58	0.66	0.46	0.54	0.62	0.62	0.70	0.49	0.58	0.65	0.65	0.75
	PI	2.73	2.74	2.74	2.74	2.74	2.90	2.90	2.90	2.90	2.91	3.07	3.07	3.08	3.08	3.08	3.26	3.26	3.26	3.26	3.27
68°F	TC	43462	43520	43567	43569	43628	46081	46136	46181	46190	46245	48834	48898	48952	48961	49016	51777	51833	51889	51897	51962
	S/T	0.42	0.50	0.56	0.56	0.64	0.45	0.53	0.60	0.60	0.68	0.47	0.56	0.63	0.63	0.72	0.50	0.59	0.67	0.67	0.76
	PI	2.73	2.74	2.74	2.74	2.74	2.90	2.90	2.90	2.90	2.91	3.07	3.07	3.08	3.08	3.08	3.25	3.26	3.26	3.26	3.27
77°F	TC	42895	42952	42999	43001	43059	45480	45534	45579	45588	45642	48197	48260	48313	48322	48376	51101	51156	51212	51220	51284
	S/T	0.43	0.50	0.57	0.57	0.65	0.45	0.53	0.60	0.61	0.69	0.48	0.56	0.64	0.64	0.73	0.51	0.60	0.68	0.68	0.77
	PI	2.73	2.73	2.74	2.74	2.74	2.89	2.90	2.90	2.90	2.91	3.07	3.07	3.08	3.08	3.08	3.25	3.26	3.26	3.26	3.26
80°F	TC	41944	42000	42045	42047	42104	44471	44524	44568	44577	44630	47128	47189	47242	47251	47304	49968	50022	50077	50084	50147
	S/T	0.43	0.51	0.58	0.58	0.66	0.46	0.54	0.61	0.61	0.70	0.49	0.57	0.65	0.65	0.74	0.52	0.61	0.69	0.69	0.78
	PI	2.88	2.88	2.89	2.89	2.89	3.05	3.06	3.06	3.06	3.06	3.24	3.24	3.24	3.24	3.25	3.43	3.43	3.44	3.44	3.44
86°F	TC	40380	40434	40478	40480	40534	42814	42864	42907	42915	42966	45371	45430	45481	45489	45540	48105	48157	48210	48217	48277
	S/T	0.44	0.52	0.59	0.59	0.67	0.47	0.55	0.62	0.62	0.71	0.49	0.58	0.66	0.66	0.75	0.52	0.61	0.70	0.70	0.79
	PI	3.19	3.19	3.20	3.20	3.20	3.38	3.38	3.39	3.39	3.39	3.58	3.59	3.59	3.59	3.60	3.80	3.80	3.81	3.81	3.81
95°F	TC	36862	36912	36952	36953	37003	39084	39130	39169	39176	39223	41419	41473	41519	41527	41573	43914	43962	44010	44017	44072
	S/T	0.44	0.52	0.59	0.59	0.67	0.47	0.55	0.62	0.62	0.71	0.49	0.58	0.66	0.66	0.75	0.52	0.61	0.70	0.70	0.79
	PI	3.88	3.89	3.89	3.89	3.90	4.12	4.12	4.13	4.13	4.13	4.36	4.37	4.37	4.37	4.38	4.63	4.63	4.64	4.64	4.64
104°F	TC	32255	32298	32333	32334	32378	34198	34239	34273	34279	34320	36241	36289	36329	36336	36376	38425	38467	38509	38515	38563
	S/T	0.45	0.53	0.60	0.60	0.68	0.48	0.56	0.64	0.64	0.73	0.51	0.59	0.67	0.67	0.77	0.54	0.63	0.71	0.71	0.81
	PI	3.67	3.68	3.68	3.68	3.69	3.89	3.90	3.90	3.90	3.91	4.13	4.13	4.14	4.14	4.14	4.37	4.38	4.38	4.38	4.39
110°F	TC	29490	29529	29561	29563	29602	31267	31304	31335	31341	31378	33135	33178	33215	33221	33258	35132	35170	35208	35213	35257
	S/T	0.47	0.55	0.62	0.62	0.71	0.49	0.58	0.66	0.66	0.75	0.52	0.61	0.70	0.70	0.80	0.56	0.65	0.74	0.74	0.84
	PI	3.54	3.55	3.55	3.55	3.56	3.76	3.76	3.77	3.77	3.77	3.98	3.99	3.99	3.99	4.00	4.22	4.23	4.23	4.23	4.24
115°F	TC	23570	23601	23627	23628	23660	24990	25020	25044	25049	25079	26483	26517	26547	26552	26582	28079	28109	28140	28144	28179
	S/T	0.47	0.55	0.63	0.63	0.72	0.50	0.59	0.67	0.67	0.76	0.53	0.62	0.71	0.71	0.81	0.56	0.66	0.75	0.75	0.85
	PI	2.99	2.99	2.99	3.00	3.00	3.17	3.17	3.17	3.18	3.18	3.36	3.36	3.37	3.37	3.37	3.56	3.56	3.57	3.57	3.57
122°F	TC	15676	15697	15714	15715	15736	16621	16640	16657	16660	16680	17614	17636	17656	17659	17679	18675	18695	18715	18718	18742
	S/T	0.48	0.57	0.64	0.64	0.73	0.51	0.60	0.68	0.68	0.78	0.54	0.64	0.72	0.72	0.82	0.58	0.67	0.77	0.77	0.87
	PI	2.25	2.25	2.25	2.25	2.25	2.38	2.38	2.39	2.39	2.39	2.52	2.53	2.53	2.53	2.53	2.68	2.68	2.68	2.68	2.68

48CCHP-HE-SYS-B Expanded Cooling @ 1,018 CFM

OD DB	ID WB (°F)	60.8 °F					64.4°F					67.0°F					71.6°F				
	ID DB (°F)	73.4 °F	77.0 °F	80.0 °F	80.6 °F	84.2 °F	73.4 °F	77.0 °F	80.0 °F	80.6 °F	84.2 °F	73.4 °F	77.0 °F	80.0 °F	80.6 °F	84.2 °F	73.4 °F	77.0 °F	80.0 °F	80.6 °F	84.2 °F
50°F	TC	47605	47669	47720	47722	47786	50474	50533	50583	50593	50653	53489	53558	53618	53628	53688	56712	56773	56835	56844	56915
	S/T	0.44	0.51	0.58	0.58	0.66	0.46	0.54	0.62	0.62	0.70	0.49	0.58	0.65	0.65	0.75	0.52	0.61	0.69	0.69	0.79
	PI	2.92	2.92	2.93	2.93	2.93	3.09	3.10	3.10	3.10	3.11	3.28	3.28	3.29	3.29	3.29	3.48	3.48	3.48	3.49	3.49
59°F	TC	46999	47062	47113	47115	47179	49832	49891	49940	49950	50009	52809	52877	52936	52946	53005	55990	56051	56112	56121	56191
	S/T	0.44	0.52	0.59	0.59	0.67	0.47	0.55	0.62	0.62	0.71	0.49	0.58	0.66	0.66	0.75	0.52	0.61	0.70	0.70	0.80
	PI	2.92	2.92	2.92	2.92	2.93	3.09	3.10	3.10	3.10	3.10	3.28	3.28	3.29	3.29	3.29	3.48	3.48	3.48	3.48	3.49
68°F	TC	46394	46456	46506	46508	46571	49190	49248	49296	49306	49365	52128	52196	52254	52264	52322	55269	55329	55389	55398	55467
	S/T	0.45	0.53	0.60	0.60	0.69	0.48	0.56	0.64	0.64	0.73	0.51	0.59	0.68	0.68	0.77	0.54	0.63	0.72	0.72	0.82
	PI	2.92	2.92	2.92	2.92	2.93	3.09	3.10	3.10	3.10	3.10	3.28	3.28	3.28	3.28	3.29	3.47	3.48	3.48	3.48	3.49
77°F	TC	45788	45850	45899	45901	45963	48548	48605	48653	48663	48720	51448	51515	51572	51582	51639	54548	54607	54667	54675	54743
	S/T	0.46	0.54	0.61	0.61	0.69	0.48	0.57	0.65	0.65	0.74	0.51	0.60	0.68	0.68	0.78	0.54	0.64	0.73	0.73	0.83
	PI	2.91	2.92	2.92	2.92	2.93	3.09	3.09	3.10	3.10	3.10	3.27	3.28	3.28	3.28	3.29	3.47	3.48	3.48	3.48	3.48
80°F	TC	44773	44833	44881	44883	44944	47471	47527	47574	47584	47640	50307	50372	50429	50438	50494	53338	53396	53454	53463	53529
	S/T	0.46	0.54	0.62	0.62	0.70	0.49	0.58	0.65	0.65	0.75	0.52	0.61	0.69	0.69	0.79	0.55	0.65	0.73	0.73	0.84
	PI	3.07	3.08	3.08	3.08	3.09	3.26	3.26	3.27	3.27	3.27	3.45	3.46	3.46	3.46	3.47	3.66	3.67	3.67	3.67	3.68
86°F	TC	43104	43162	43208	43210	43269	45702	45756	45801	45810	45864	48432	48495	48549	48558	48612	51350	51406	51462	51470	51534
	S/T	0.47	0.55	0.62	0.62	0.71	0.50	0.58	0.66	0.66	0.76	0.53	0.62	0.70	0.70	0.80	0.56	0.65	0.74	0.74	0.85
	PI	3.40	3.41	3.41	3.41	3.42	3.61	3.61	3.62	3.62	3.62	3.82	3.83	3.83	3.83	3.84	4.05	4.06	4.06	4.06	4.07
95°F	TC	39349	39402	39444	39446	39499	41720	41770	41811	41819	41869	44213	44270	44319	44328	44377	46877	46928	46979	46986	47044
	S/T	0.47	0.55	0.62	0.62	0.71	0.50	0.58	0.66	0.66	0.76	0.53	0.62	0.70	0.70	0.80	0.56	0.65	0.74	0.74	0.85
	PI	4.15	4.15	4.16	4.16	4.16	4.40	4.40	4.40	4.41	4.41	4.66	4.66	4.67	4.67	4.67	4.94	4.94	4.95	4.95	4.96
104°F	TC	34430	34476	34514	34515	34562	36505	36548	36584	36592	36635	38686	38736	38779	38787	38830	41017	41062	41106	41113	41164
	S/T	0.48	0.56	0.64	0.64	0.73	0.51	0.60	0.68	0.68	0.77	0.54	0.63	0.72	0.72	0.82	0.57	0.67	0.76	0.76	0.87
	PI	3.92	3.92	3.93	3.93	3.93	4.16	4.16	4.16	4.17	4.17	4.40	4.41	4.41	4.42	4.42	4.67	4.67	4.68	4.68	4.69
110°F	TC	31479	31521	31555	31557	31599	33376	33416	33449	33455	33495	35370	35416	35456	35462	35502	37501	37542	37583	37589	37636
	S/T	0.50	0.58	0.66	0.66	0.76	0.53	0.62	0.70	0.70	0.80	0.56	0.66	0.75	0.75	0.85	0.59	0.70	0.79	0.79	0.90
	PI	3.78	3.79	3.79	3.79	3.80	4.01	4.02	4.02	4.02	4.03	4.25	4.26	4.26	4.26	4.27	4.51	4.51	4.52	4.52	4.52
115°F	TC	25159	25193	25220	25221	25256	26676	26707	26734	26739	26771	28269	28306	28338	28343	28375	29973	30005	30038	30043	30080
	S/T	0.50	0.59	0.67	0.67	0.77	0.53	0.63	0.71	0.71	0.81	0.57	0.66	0.75	0.75	0.86	0.60	0.70	0.80	0.80	0.91
	PI	3.19	3.19	3.20	3.20	3.20	3.38	3.39	3.39	3.39	3.39	3.58	3.59	3.59	3.59	3.60	3.80	3.80	3.81	3.81	3.81
122°F	TC	16733	16756	16774	16775	16797	17742	17763	17780	17784	17805	18802	18826	18847	18851	18872	19934	19956	19978	19981	20006
	S/T	0.52	0.60	0.69	0.69	0.78	0.55	0.64	0.73	0.73	0.83	0.58	0.68	0.77	0.77	0.88	0.61	0.72	0.82	0.82	0.93
	PI	2.40	2.40	2.40	2.40	2.41	2.54	2.54	2.55	2.55	2.55	2.69	2.70	2.70	2.70	2.70	2.86	2.86	2.86	2.86	2.87

48CCHP-HE-SYS-B Expanded Cooling @ 1,124 CFM

OD DB	ID WB (°F)	60.8 °F					64.4°F					67.0°F					71.6°F				
	ID DB (°F)	73.4 °F	77.0 °F	80.0 °F	80.6 °F	84.2 °F	73.4 °F	77.0 °F	80.0 °F	80.6 °F	84.2 °F	73.4 °F	77.0 °F	80.0 °F	80.6 °F	84.2 °F	73.4 °F	77.0 °F	80.0 °F	80.6 °F	84.2 °F
50°F	TC	50816	50884	50939	50941	51010	53878	53942	53995	54006	54070	57097	57171	57235	57246	57309	60537	60603	60669	60678	60754
	S/T	0.47	0.55	0.62	0.62	0.71	0.49	0.58	0.66	0.66	0.75	0.52	0.62	0.70	0.70	0.80	0.56	0.65	0.74	0.74	0.84
	PI	3.12	3.12	3.12	3.12	3.13	3.30	3.31	3.31	3.31	3.31	3.50	3.51	3.51	3.51	3.51	3.71	3.72	3.72	3.72	3.72
59°F	TC	50169	50237	50291	50293	50361	53193	53256	53308	53319	53382	56371	56444	56507	56517	56580	59767	59832	59897	59907	59981
	S/T	0.47	0.55	0.63	0.63	0.71	0.50	0.58	0.66	0.66	0.76	0.53	0.62	0.70	0.70	0.80	0.56	0.66	0.74	0.74	0.85
	PI	3.11	3.12	3.12	3.12	3.13	3.30	3.31	3.31	3.31	3.31	3.50	3.50	3.51	3.51	3.51	3.71	3.71	3.72	3.72	3.72
68°F	TC	49523	49590	49643	49645	49712	52507	52570	52622	52632	52694	55645	55717	55779	55789	55852	58997	59061	59126	59135	59208
	S/T	0.48	0.56	0.64	0.64	0.73	0.51	0.60	0.68	0.68	0.78	0.54	0.63	0.72	0.72	0.82	0.57	0.67	0.76	0.76	0.87
	PI	3.11	3.12	3.12	3.12	3.12	3.30	3.30	3.31	3.31	3.31	3.50	3.50	3.51	3.51	3.51	3.71	3.71	3.72	3.72	3.72
77°F	TC	48877	48942	48995	48997	49063	51822	51884	51935	51945	52007	54918	54990	55051	55061	55123	58227	58290	58354	58363	58436
	S/T	0.49	0.57	0.65	0.65	0.74	0.52	0.61	0.69	0.69	0.79	0.55	0.64	0.73	0.73	0.83	0.58	0.68	0.77	0.77	0.88
	PI	3.11	3.12	3.12	3.12	3.12	3.30	3.30	3.31	3.31	3.31	3.50	3.50	3.50	3.50	3.51	3.71	3.71	3.71	3.72	3.72
80°F	TC	47793	47857	47909	47911	47975	50673	50733	50783	50793	50854	53700	53770	53830	53840	53900	56936	56998	57060	57069	57140
	S/T	0.49	0.58	0.66	0.66	0.75	0.52	0.61	0.70	0.70	0.80	0.56	0.65	0.74	0.74	0.84	0.59	0.69	0.78	0.78	0.89
	PI	3.28	3.29	3.29	3.29	3.29	3.48	3.48	3.49	3.49	3.49	3.69	3.69	3.70	3.70	3.70	3.91	3.91	3.92	3.92	3.92
86°F	TC	46011	46073	46123	46125	46187	48784	48842	48890	48900	48958	51699	51766	51824	51833	51891	54814	54873	54933	54942	55010
	S/T	0.50	0.59	0.67	0.67	0.76	0.53	0.62	0.71	0.71	0.81	0.56	0.66	0.75	0.75	0.85	0.60	0.70	0.79	0.79	0.91
	PI	3.63	3.64	3.64	3.64	3.65	3.85	3.86	3.86	3.86	3.87	4.08	4.09	4.09	4.09	4.10	4.33	4.33	4.34	4.34	4.34
95°F	TC	42003	42059	42105	42107	42163	44534	44587	44631	44640	44693	47195	47256	47309	47318	47370	50038	50093	50147	50155	50218
	S/T	0.50	0.59	0.67	0.67	0.76	0.53	0.62	0.71	0.71	0.81	0.56	0.66	0.75	0.75	0.85	0.60	0.70	0.79	0.79	0.91
	PI	4.42	4.43	4.44	4.44	4.44	4.69	4.70	4.70	4.70	4.71	4.97	4.98	4.98	4.98	4.99	5.27	5.28	5.28	5.28	5.29
104°F	TC	36753	36802	36842	36843	36893	38967	39014	39052	39060	39106	41296	41349	41395	41403	41449	43784	43831	43879	43886	43940
	S/T	0.51	0.60	0.68	0.68	0.78	0.54	0.64	0.72	0.72	0.83	0.58	0.68	0.77	0.77	0.88	0.61	0.72	0.81	0.81	0.93
	PI	4.18	4.19	4.19	4.19	4.20	4.44	4.44	4.45	4.45	4.45	4.70	4.71	4.71	4.71	4.72	4.98	4.99	4.99	5.00	5.00
110°F	TC	33602	33648	33684	33685	33731	35627	35670	35705	35712	35754	37756	37805	37847	37854	37896	40031	40074	40118	40124	40174
	S/T	0.53	0.62	0.71	0.71	0.81	0.56	0.66	0.75	0.75	0.86	0.60	0.70	0.80	0.80	0.91	0.63	0.74	0.84	0.84	0.96
	PI	4.04	4.04	4.05	4.05	4.05	4.28	4.29	4.29	4.29	4.30	4.54	4.54	4.55	4.55	4.55	4.81	4.82	4.82	4.82	4.83
115°F	TC	26856	26893	26922	26923	26959	28475	28509	28537	28542	28576	30176	30215	30249	30255	30288	31994	32029	32064	32069	32109
	S/T	0.54	0.63	0.72	0.72	0.82	0.57	0.67	0.76	0.76	0.87	0.60	0.71	0.81	0.81	0.92	0.64	0.75	0.85	0.85	0.97
	PI	3.40	3.41	3.41	3.41	3.42	3.61	3.61	3.62	3.62	3.62	3.83	3.83	3.83	3.84	3.84	4.06	4.06	4.06	4.07	4.07
122°F	TC	17862	17886	17905	17906	17930	18938	18961	18980	18983	19006	20070	20096	20118	20122	20145	21279	21302	21325	21329	21355
	S/T	0.55	0.65	0.73	0.73	0.84	0.58	0.68	0.78	0.78	0.89	0.62	0.73	0.82	0.82	0.94	0.66	0.77	0.87	0.87	1.00
	PI	2.56	2.56	2.56	2.56	2.57	2.71	2.72	2.72	2.72	2.72	2.87	2.88	2.88	2.88	2.89	3.05	3.05	3.05	3.06	3.06

48CCHP-HE-SYS-B Expanded Cooling @ 1,235 CFM

OD DB	ID WB (°F)	60.8 °F					64.4°F					67.0°F					71.6°F				
	ID DB (°F)	73.4 °F	77.0 °F	80.0 °F	80.6 °F	84.2 °F	73.4 °F	77.0 °F	80.0 °F	80.6 °F	84.2 °F	73.4 °F	77.0 °F	80.0 °F	80.6 °F	84.2 °F	73.4 °F	77.0 °F	80.0 °F	80.6 °F	84.2 °F
50°F	TC	54243	54316	54375	54377	54451	57512	57580	57637	57649	57717	60948	61028	61096	61107	61175	64621	64691	64761	64771	64852
	S/T	0.50	0.58	0.66	0.66	0.76	0.53	0.62	0.70	0.70	0.80	0.56	0.66	0.75	0.75	0.85	0.59	0.70	0.79	0.79	0.90
	PI	3.33	3.33	3.33	3.33	3.34	3.53	3.53	3.53	3.53	3.54	3.74	3.74	3.75	3.75	3.75	3.96	3.97	3.97	3.97	3.98
59°F	TC	53553	53625	53683	53686	53758	56781	56848	56904	56915	56983	60173	60251	60318	60330	60397	63799	63868	63938	63947	64027
	S/T	0.50	0.59	0.67	0.67	0.76	0.53	0.62	0.71	0.71	0.81	0.56	0.66	0.75	0.75	0.86	0.60	0.70	0.80	0.80	0.91
	PI	3.32	3.33	3.33	3.33	3.34	3.52	3.53	3.53	3.53	3.54	3.73	3.74	3.74	3.74	3.75	3.96	3.96	3.97	3.97	3.97
68°F	TC	52863	52935	52992	52994	53065	56049	56116	56171	56182	56249	59398	59475	59541	59552	59619	62977	63045	63114	63124	63202
	S/T	0.51	0.60	0.69	0.69	0.78	0.54	0.64	0.73	0.73	0.83	0.58	0.68	0.77	0.77	0.88	0.61	0.72	0.82	0.82	0.93
	PI	3.32	3.33	3.33	3.33	3.34	3.52	3.53	3.53	3.53	3.54	3.73	3.74	3.74	3.74	3.75	3.96	3.96	3.97	3.97	3.97
77°F	TC	52173	52244	52300	52302	52373	55318	55383	55438	55449	55515	58623	58699	58764	58775	58841	62155	62222	62290	62300	62377
	S/T	0.52	0.61	0.69	0.69	0.79	0.55	0.65	0.74	0.74	0.84	0.59	0.69	0.78	0.78	0.89	0.62	0.73	0.83	0.83	0.94
	PI	3.32	3.33	3.33	3.33	3.33	3.52	3.53	3.53	3.53	3.53	3.73	3.74	3.74	3.74	3.75	3.96	3.96	3.97	3.97	3.97
80°F	TC	51017	51085	51140	51143	51211	54091	54155	54209	54219	54284	57323	57397	57461	57472	57536	60777	60843	60909	60918	60994
	S/T	0.53	0.62	0.70	0.70	0.80	0.56	0.66	0.75	0.75	0.85	0.59	0.70	0.79	0.79	0.90	0.63	0.74	0.84	0.84	0.95
	PI	3.50	3.51	3.51	3.51	3.52	3.71	3.72	3.72	3.72	3.73	3.94	3.94	3.95	3.95	3.95	4.17	4.18	4.18	4.18	4.19
86°F	TC	49115	49181	49234	49236	49303	52075	52136	52188	52198	52260	55186	55258	55319	55330	55391	58511	58575	58638	58648	58721
	S/T	0.53	0.63	0.71	0.71	0.81	0.57	0.66	0.75	0.75	0.86	0.60	0.70	0.80	0.80	0.91	0.64	0.75	0.85	0.85	0.97
	PI	3.88	3.88	3.89	3.89	3.89	4.11	4.12	4.12	4.12	4.13	4.36	4.36	4.37	4.37	4.37	4.62	4.63	4.63	4.63	4.64
95°F	TC	44836	44896	44945	44947	45007	47538	47594	47642	47651	47707	50378	50444	50500	50509	50566	53414	53472	53530	53538	53605
	S/T	0.53	0.63	0.71	0.71	0.81	0.57	0.66	0.75	0.75	0.86	0.60	0.70	0.80	0.80	0.91	0.64	0.75	0.85	0.85	0.97
	PI	4.72	4.73	4.73	4.73	4.74	5.01	5.01	5.02	5.02	5.03	5.31	5.31	5.32	5.32	5.33	5.63	5.63	5.64	5.64	5.65
104°F	TC	39232	39284	39327	39328	39382	41596	41645	41686	41695	41744	44081	44138	44188	44196	44245	46737	46788	46839	46846	46904
	S/T	0.55	0.64	0.73	0.73	0.83	0.58	0.68	0.77	0.77	0.88	0.62	0.72	0.82	0.82	0.93	0.65	0.76	0.87	0.87	0.99
	PI	4.47	4.47	4.48	4.48	4.48	4.73	4.74	4.75	4.75	4.75	5.02	5.02	5.03	5.03	5.04	5.32	5.33	5.33	5.33	5.34
110°F	TC	35869	35917	35956	35957	36006	38031	38076	38113	38121	38166	40303	40355	40400	40408	40453	42731	42777	42824	42831	42884
	S/T	0.57	0.67	0.76	0.76	0.86	0.60	0.71	0.80	0.80	0.91	0.64	0.75	0.85	0.85	0.97	0.68	0.79	0.90	0.90	1.00
	PI	4.31	4.32	4.32	4.32	4.33	4.57	4.58	4.58	4.58	4.59	4.84	4.85	4.86	4.86	4.86	5.14	5.14	5.15	5.15	5.15
115°F	TC	28668	28707	28737	28739	28778	30396	30432	30462	30468	30504	32212	32253	32289	32295	32331	34152	34190	34227	34232	34275
	S/T	0.57	0.67	0.77	0.77	0.87	0.61	0.71	0.81	0.81	0.92	0.65	0.76	0.86	0.86	0.98	0.68	0.80	0.91	0.91	1.00
	PI	3.63	3.64	3.64	3.64	3.65	3.85	3.86	3.86	3.86	3.87	4.08	4.09	4.09	4.09	4.10	4.33	4.33	4.34	4.34	4.34
122°F	TC	19067	19092	19113	19114	19140	20216	20240	20260	20264	20288	21424	21451	21475	21479	21503	22714	22739	22764	22767	22796
	S/T	0.59	0.69	0.78	0.78	0.89	0.62	0.73	0.83	0.83	0.95	0.66	0.77	0.88	0.88	1.00	0.70	0.82	0.93	0.93	1.00
	PI	2.73	2.73	2.74	2.74	2.74	2.90	2.90	2.90	2.90	2.91	3.07	3.07	3.08	3.08	3.08	3.25	3.26	3.26	3.26	3.27

48CCHP-HE-SYS-B Expanded Heating @ 800 CFM

CFM	HEATING PERFORMANCE AT INDOOR DRY BULB TEMPERATURE										
	OD DB (°F)	TC : Total Heating Capacity(BTU/hr)					PI : Power Input(kW)				
		Indoor Conditions (DB °F)					Indoor Conditions (DB °F)				
		60.8°F	68°F	70°F	71.6°F	75.2°F	60.8°F	68°F	70°F	71.6°F	75.2°F
800	-22°F	/	/	/	/	/	/	/	/	/	/
	-13°F	21332	20905	20801	20546	20361	4.48	4.52	4.53	4.53	4.55
	-4°F	27065	26524	26391	26068	25834	4.99	5.03	5.04	5.05	5.07
	0°F	30213	29609	29461	29100	28838	5.18	5.22	5.23	5.24	5.26
	5°F	34148	33465	33297	32890	32594	5.40	5.45	5.46	5.47	5.49
	14°F	36740	36005	35825	35387	35069	5.79	5.84	5.85	5.86	5.89
	17°F	37604	36852	36668	36220	35894	5.92	5.97	5.98	5.99	6.02
	22°F	38264	37499	37311	36855	36523	5.82	5.86	5.88	5.89	5.91
	27°F	38924	38145	37955	37490	37153	5.71	5.76	5.77	5.78	5.80
	32°F	39583	38792	38598	38126	37783	5.60	5.65	5.66	5.67	5.69
	35°F	39979	39180	38984	38507	38161	5.54	5.58	5.60	5.61	5.63
	37°F	42029	41188	40982	40481	40117	5.57	5.61	5.62	5.63	5.66
	42°F	47152	46209	45978	45416	45007	5.64	5.68	5.69	5.70	5.73
	44.6°F	49201	48217	47976	47390	46963	5.66	5.71	5.72	5.73	5.76
	47°F	52275	51230	50974	50350	49897	5.71	5.75	5.76	5.78	5.80
	52°F	50274	49269	49022	48423	47987	5.03	5.07	5.08	5.09	5.11
	57°F	48273	47307	47071	46495	46077	4.35	4.39	4.39	4.40	4.42
59°F	47472	46523	46290	45724	45313	4.08	4.11	4.12	4.13	4.15	
62°F	46272	45346	45119	44568	44167	3.67	3.70	3.71	3.72	3.73	
64.4°F	45471	44562	44339	43797	43403	3.40	3.43	3.44	3.44	3.46	

48CCHP-HE-SYS-B Expanded Heating @ 1,018 CFM

CFM	HEATING PERFORMANCE AT INDOOR DRY BULB TEMPERATURE										
	OD DB (°F)	TC : Total Heating Capacity(BTU/hr)					PI : Power Input(kW)				
		Indoor Conditions (DB °F)					Indoor Conditions (DB °F)				
		60.8°F	68°F	70°F	71.6°F	75.2°F	60.8°F	68°F	70°F	71.6°F	75.2°F
1018	-22°F	/	/	/	/	/	/	/	/	/	/
	-13°F	22771	22315	22204	22023	21825	4.53	4.56	4.57	4.58	4.60
	-4°F	28891	28313	28171	27943	27691	5.04	5.08	5.09	5.10	5.13
	0°F	32251	31606	31448	31192	30912	5.23	5.27	5.28	5.29	5.31
	5°F	36451	35722	35543	35255	34937	5.46	5.50	5.51	5.52	5.55
	14°F	39218	38434	38242	37931	37590	5.85	5.90	5.91	5.92	5.95
	17°F	40141	39338	39141	38824	38474	5.98	6.03	6.04	6.06	6.08
	22°F	40845	40028	39828	39505	39149	5.88	5.92	5.93	5.95	5.97
	27°F	41549	40718	40515	40186	39824	5.77	5.81	5.83	5.84	5.86
	32°F	42253	41408	41201	40867	40499	5.66	5.71	5.72	5.73	5.75
	35°F	42676	41822	41613	41275	40904	5.60	5.64	5.65	5.66	5.69
	37°F	44864	43966	43746	43391	43001	5.62	5.67	5.68	5.69	5.71
	42°F	50332	49326	49079	48681	48242	5.69	5.74	5.75	5.76	5.79
	44.6°F	52520	51470	51212	50796	50339	5.72	5.77	5.78	5.79	5.81
	47°F	55801	54685	54412	53970	53484	5.76	5.81	5.82	5.83	5.86
	52°F	53665	52592	52329	51904	51437	5.08	5.12	5.13	5.14	5.16
	57°F	51529	50498	50246	49838	49389	4.39	4.43	4.44	4.45	4.47
59°F	50674	49661	49413	49011	48570	4.12	4.15	4.16	4.17	4.19	
62°F	49393	48405	48163	47772	47342	3.71	3.74	3.75	3.75	3.77	
64.4°F	48538	47568	47330	46945	46523	3.44	3.46	3.47	3.48	3.49	

48CCHP-HE-SYS-B Expanded Heating @ 1,124 CFM

CFM	HEATING PERFORMANCE AT INDOOR DRY BULB TEMPERATURE										
	OD DB (°F)	TC : Total Heating Capacity(BTU/hr)					PI : Power Input(kW)				
		Indoor Conditions (DB °F)					Indoor Conditions (DB °F)				
		60.8°F	68°F	70°F	71.6°F	75.2°F	60.8°F	68°F	70°F	71.6°F	75.2°F
1124	-22°F	/	/	/	/	/	/	/	/	/	/
	-13°F	24307	23820	23701	23606	23394	4.57	4.61	4.62	4.63	4.64
	-4°F	30839	30223	30072	29951	29682	5.09	5.14	5.15	5.16	5.18
	0°F	34426	33738	33569	33435	33134	5.28	5.32	5.33	5.34	5.37
	5°F	38910	38131	37941	37789	37449	5.51	5.56	5.57	5.58	5.60
	14°F	41864	41027	40821	40658	40292	5.91	5.96	5.97	5.98	6.01
	17°F	42849	41992	41782	41615	41240	6.04	6.09	6.10	6.12	6.14
	22°F	43600	42728	42515	42345	41963	5.93	5.98	5.99	6.01	6.03
	27°F	44352	43465	43248	43075	42687	5.83	5.87	5.88	5.90	5.92
	32°F	45104	44202	43981	43805	43410	5.72	5.76	5.77	5.79	5.81
	35°F	45555	44644	44420	44243	43844	5.65	5.70	5.71	5.72	5.74
	37°F	47890	46932	46697	46510	46092	5.68	5.73	5.74	5.75	5.77
	42°F	53728	52653	52390	52180	51711	5.75	5.80	5.81	5.82	5.84
	44.6°F	56063	54941	54667	54448	53958	5.78	5.83	5.84	5.85	5.87
	47°F	59565	58374	58082	57850	57329	5.82	5.87	5.88	5.89	5.92
	52°F	57285	56139	55859	55635	55135	5.13	5.17	5.18	5.19	5.21
	57°F	55005	53905	53635	53421	52940	4.44	4.47	4.48	4.49	4.51
59°F	54093	53011	52746	52535	52062	4.16	4.20	4.20	4.21	4.23	
62°F	52724	51670	51412	51206	50745	3.75	3.78	3.79	3.79	3.81	
64.4°F	51812	50776	50522	50320	49867	3.47	3.50	3.51	3.51	3.53	

48CCHP-HE-SYS-B Expanded Heating @ 1,235 CFM

CFM	HEATING PERFORMANCE AT INDOOR DRY BULB TEMPERATURE										
	OD DB (°F)	TC : Total Heating Capacity(BTU/hr)					PI : Power Input(kW)				
		Indoor Conditions (DB °F)					Indoor Conditions (DB °F)				
		60.8°F	68°F	70°F	71.6°F	75.2°F	60.8°F	68°F	70°F	71.6°F	75.2°F
1235	-22°F	/	/	/	/	/	/	/	/	/	/
	-13°F	25946	25427	25300	25199	24972	4.62	4.65	4.66	4.67	4.69
	-4°F	32920	32261	32100	31972	31684	5.15	5.19	5.20	5.21	5.23
	0°F	36748	36013	35833	35690	35369	5.33	5.38	5.39	5.40	5.42
	5°F	41534	40704	40500	40338	39975	5.57	5.61	5.63	5.64	5.66
	14°F	44688	43794	43575	43401	43010	5.97	6.02	6.03	6.04	6.07
	17°F	45739	44824	44600	44422	44022	6.10	6.15	6.17	6.18	6.20
	22°F	46541	45610	45382	45201	44794	5.99	6.04	6.05	6.07	6.09
	27°F	47344	46397	46165	45980	45566	5.88	5.93	5.94	5.96	5.98
	32°F	48146	47183	46947	46759	46339	5.77	5.82	5.83	5.84	5.87
	35°F	48627	47655	47417	47227	46802	5.71	5.75	5.77	5.78	5.80
	37°F	51120	50098	49847	49648	49201	5.74	5.78	5.80	5.81	5.83
	42°F	57352	56205	55924	55700	55199	5.81	5.86	5.87	5.88	5.90
	44.6°F	59844	58647	58354	58121	57598	5.84	5.88	5.90	5.91	5.93
	47°F	63583	62312	62000	61752	61196	5.88	5.93	5.94	5.95	5.98
	52°F	61149	59926	59626	59388	58853	5.18	5.22	5.23	5.24	5.27
	57°F	58715	57541	57253	57024	56511	4.48	4.52	4.53	4.54	4.56
	59°F	57741	56587	56304	56078	55574	4.20	4.24	4.25	4.26	4.27
62°F	56281	55155	54879	54660	54168	3.79	3.82	3.82	3.83	3.85	
64.4°F	55307	54201	53930	53714	53231	3.51	3.53	3.54	3.55	3.56	

Control Options

Part Number	Description
MWRC	Wireless infrared remote controller with timer, sleep function, follow me and turbo function.
SWC120LR	Standard wired wall controller with operation mode control, timer and follow me functions.
WIFI-DWC120X2	Deluxe wired wall controller with WFI and app, with programmable weekly timer, auto-restart, child lock, Turbo function, follow me function and more. The WIFI-DWC120X2 also functions as a receiver for the MWRC remote controller.
DWC120X2	Deluxe wired wall controller with programmable weekly timer, auto-restart, child lock, and follow me functions. The DWC120X2 also functions as a receiver for the MWRC remote controller.
M24V-INT	24V Interface Kit that allows the use of a conventional 24V thermostat with an HCHP system.



MWRC
Wireless Remote



SWC120LR
Standard Wired
Wall Controller



WIFI-DWC120X2
Deluxe Wired Wall



DWC120X2
Deluxe Wired Wall



M24V-INT 24V
Interface Kit





**33380 Zeiders Road, Suite 101
Menifee, CA 92584**

Phone 888-741-9775

Fax 760-480-8904

www.multimfg-usa.com