



CCHP-HH-B

Hyper Heat

Ceiling Cassette System

R454b Model



High Efficiency, with Full Heating Capacity down to 5° F

3/4 Ton - 4 Ton, with Efficiencies up to 22.60 SEER2 and 14.0 EER2



R454b

The CCHP-HH is a high efficient split system, with a horizontal ceiling mount 4-way cassette fan coil and an outdoor side discharge heat pump unit. The 4-way ceiling grille, with motorized vanes, directs air from four areas of the grille. This system supplies comfortable cooling and heating at low sound levels, with new R454b refrigerant.

Typical installations for the CCHP-HH include:

- Apartments
- Condominiums
- Independent Care Facilities
- Pre Manufactured Homes
- Single Family Home Additions
- Modular Buildings
- Student Housing
- Offices
- Stores



Features

Highly Efficient / High Performance

- Highly Efficient Inverter Compressor, with Efficiencies up to 22.60 SEER2
- Air Handler EC Blower Motor
- Low Amp Draw DC motor in Outdoor HP

Quiet Operation, Inside and Outside

- Low Sone DC motor in CCHP Fan Coil
- Quiet Inverter Compressor in Outdoor Heat Pump, with low Sound Levels

Heating at Low Ambient Conditions

- Standard Base Pan Heaters
- Hyper Heat, with full heating capacity down to 5° F
- Crankcase Heater

Fresh Air

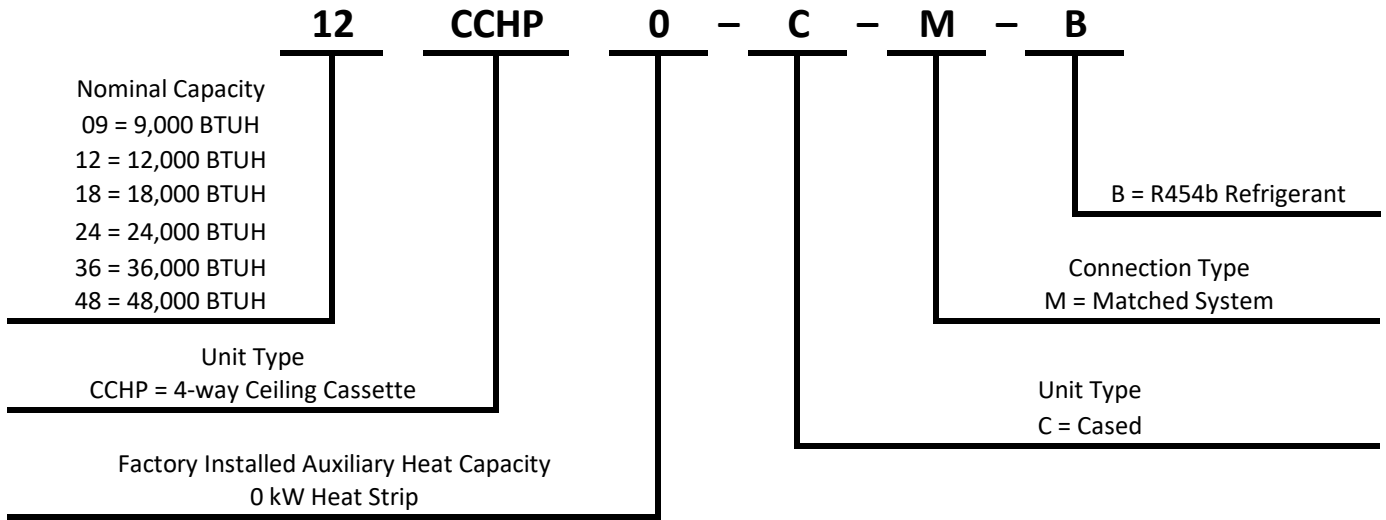
- Optional Field Install OSA Fan-Assisted Fresh Air Package is available

Design

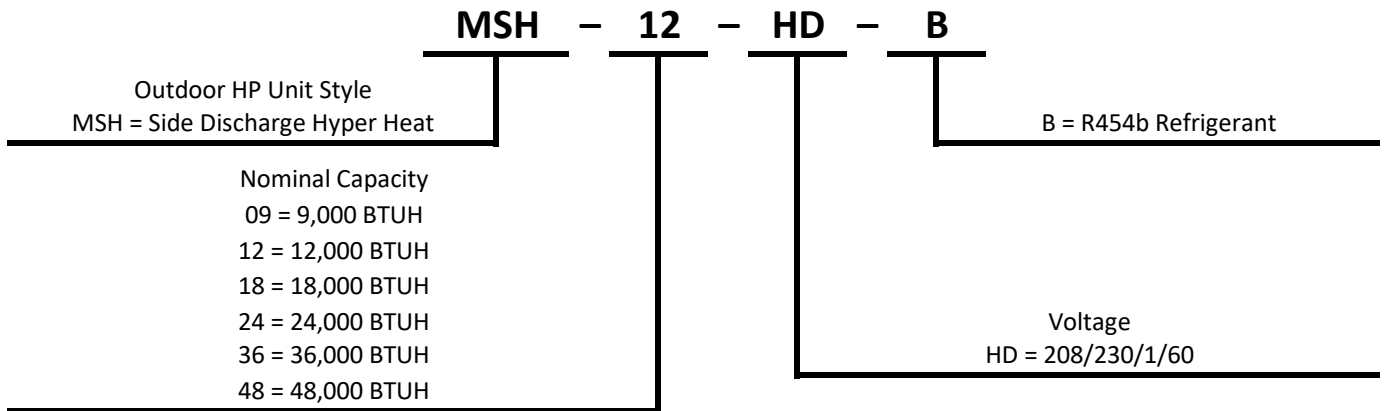
- Installed Indoor Fan Coil Freeze Protector
- Automatic Restart Function
- Available Optional 24V Control Board with High, Medium and Low Motor Speed Taps
- Liquid Line Service Port
- Factory Installed High Lift Condensate Pump
- Pre-Coated Fins on Evaporator and Condenser Coils
- Cleanable Filters in Fan Coil
- Gold Pre-Coated Fins on Evaporator and Condenser Coils
- Environmentally Friendly R454b Refrigerant

Nomenclature

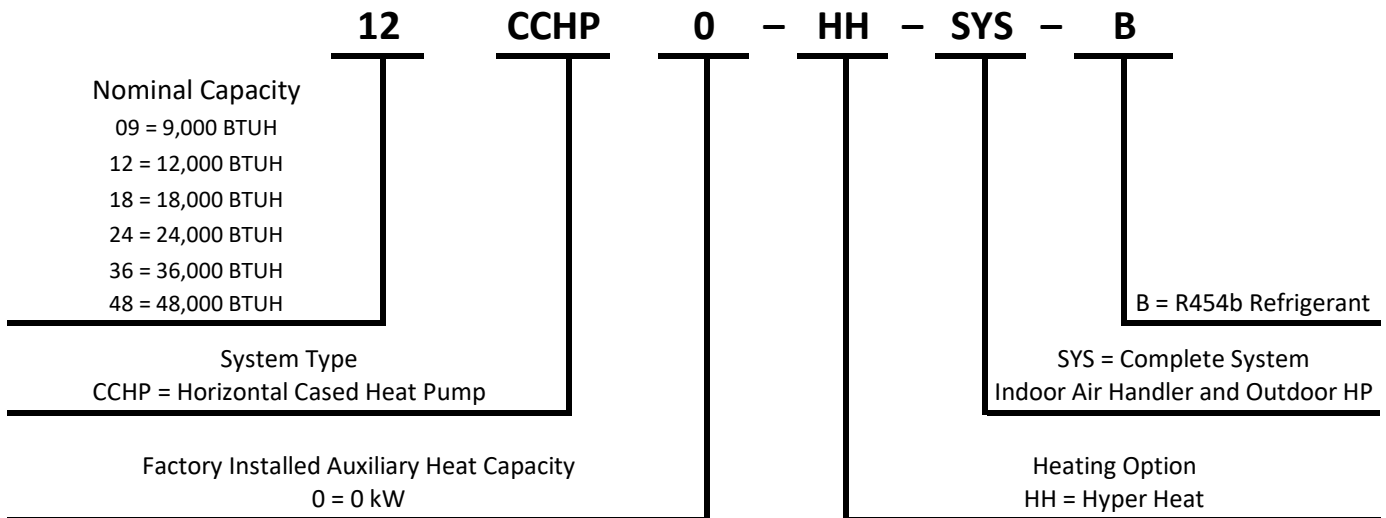
Indoor Unit



Outdoor Unit



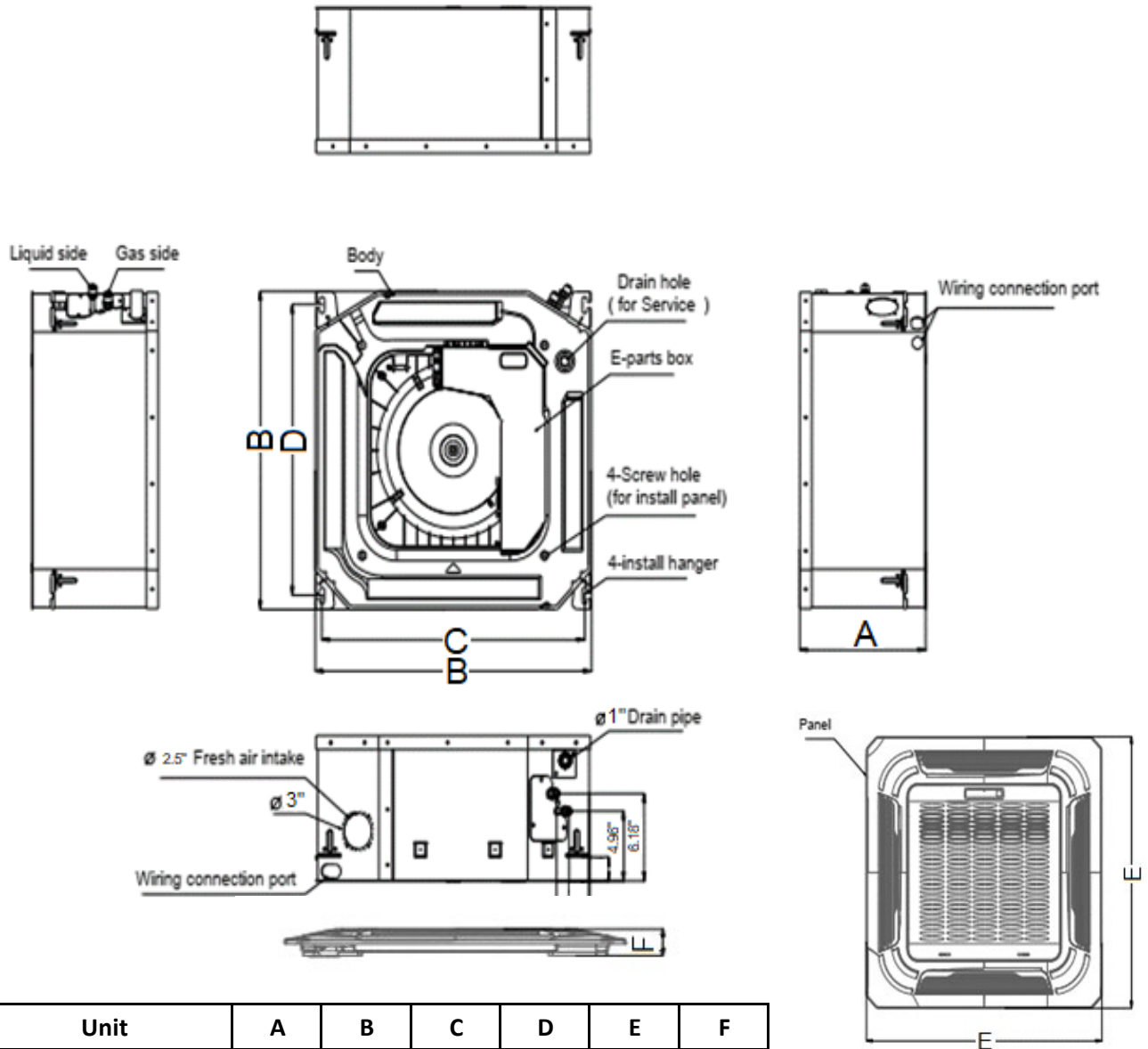
System



CCHP

3/4 ton - 1-1/2 ton Heat Pump Fan Coil

Dimensional Data



Unit	A	B	C	D	E	F
9CCHP0-C-M-B	9.65	22.44	20.88	21.0		
12CCHP0-C-M-B	9.65	22.44	20.88	21.0		
18CCHP0-C-M-B	9.65	22.44	20.88	21.0		
PANEL-918CCHP-B					24.38	2.00

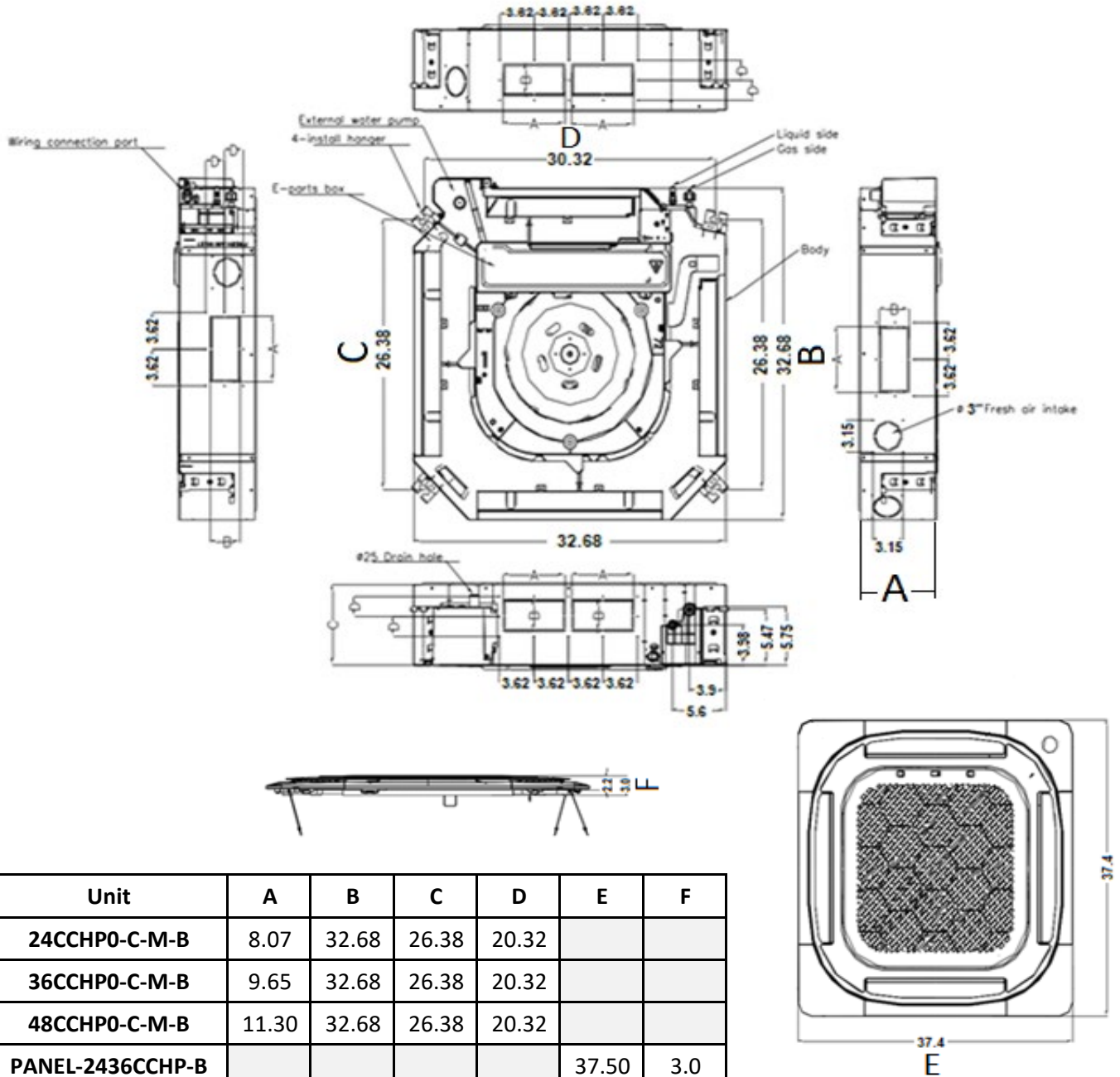
Dimensions shown are in Inches

Condensate Connections on all units are 1"

CCHP

2 ton - 4 ton Heat Pump Fan Coil

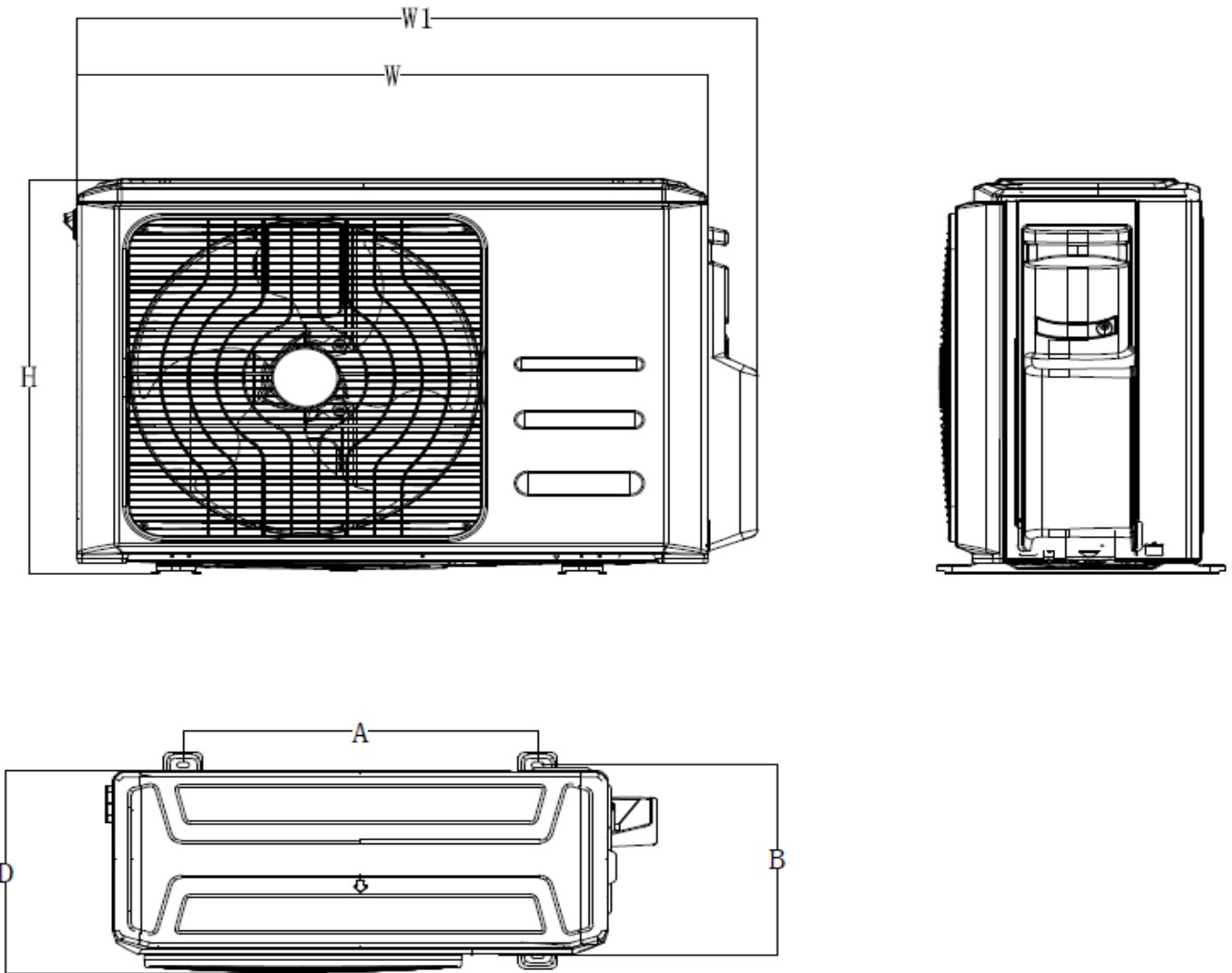
Dimensional Data



Dimensions shown are in Inches

Condensate Connections on all units are 1"

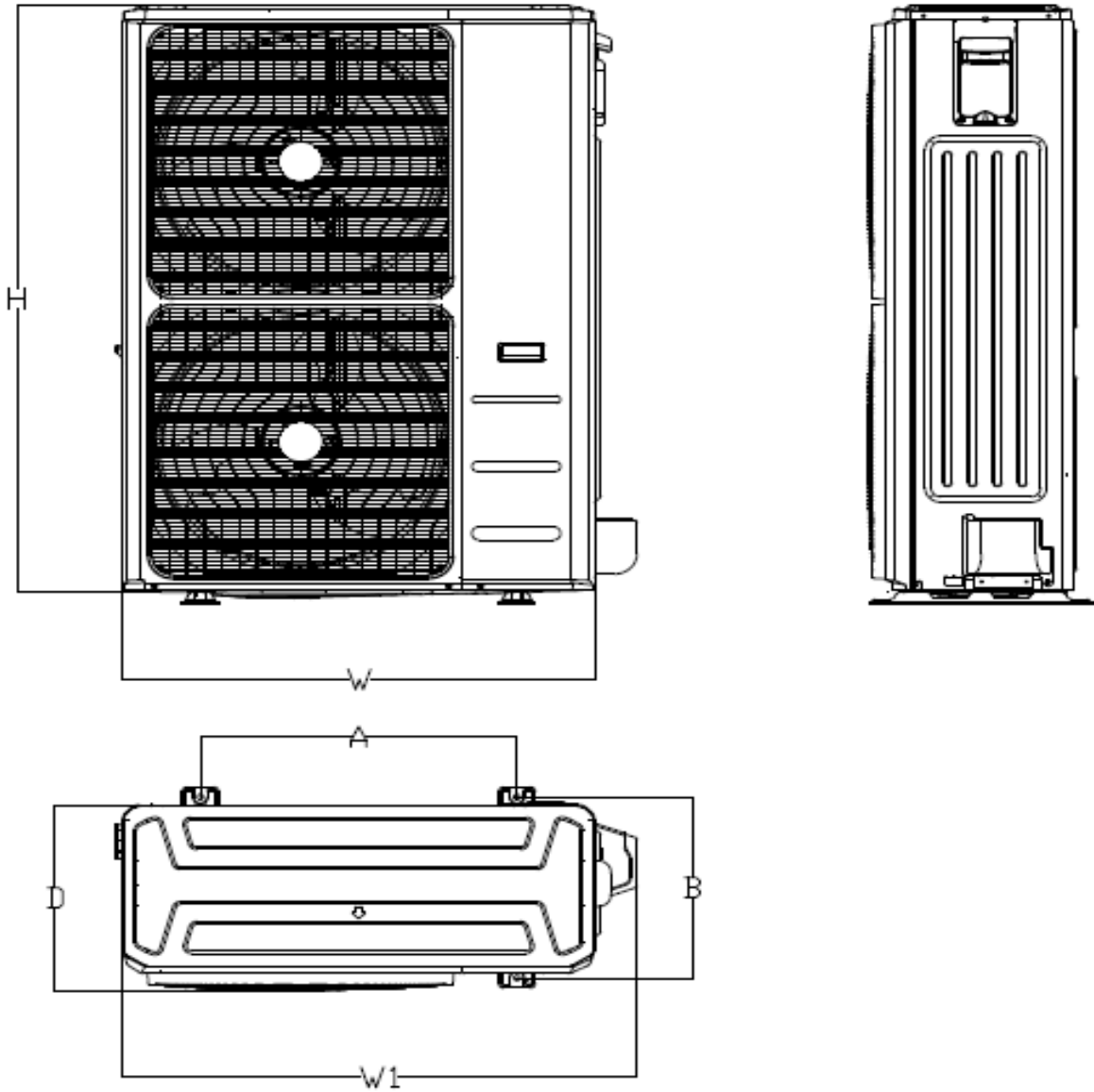
Dimensional Data



Unit	Unit Width (W)	Unit Depth (D)	Unit Height (H)	W1	Bracket Width (A)	Bracket Depth (B)
MSH-09HD-B	31.69	12.99	21.81	34.38	20.13	13.63
MSH-12HD-B	31.69	12.99	21.81	34.38	20.13	13.63
MSH-18HD-B	35.04	13.46	26.50	37.63	26.13	15.00
MSH-24HD-B	37.24	16.14	31.89	40.50	26.50	15.88
MSH-36HD-B	38.58	16.34	38.39	41.85	24.25	17.38

Dimensions shown are in Inches

Dimensional Data



Unit	Unit Width (W)	Unit Depth (D)	Unit Height (H)	W1	Bracket Width (A)	Bracket Depth (B)
MSH-48HD-B	37.48	16.34	52.48	41.13	25.25	16.88

Dimensions shown are in Inches

Fan Coil Specifications

Indoor Model		9CCHP0-C-M-B	12CCHP0-C-M-B	18CCHP0-C-M-B	24CCHP0-C-M-B
Electrical					
Power supply to Outdoor Unit	V,Hz,P h	208-230~1-60	208-230~1-60	208-230~1-60	208-230~1-60
Fan Coil Power Supply	Fan Coil Powered from Outdoor Heat Pump				
MCA	A	3.0	3.0	3.0	3.0
Max Fuse	A	15.0	15.0	15.0	15.0
Connection Wiring	AWG 14-4				
Airflow					
Fan Speeds		3	3	3	3
Indoor air flow (T/Hi/Med/Lo) (No duct)	CFM	353/312/265/183/147	418/365/306/194/147	447/389/318/194/147	765/706/636/547/NA
Indoor noise level (T/Hi/Med/Lo)	dB(A)	42.5/40.0/37.5/26.0/24.0	46.0/43.5/40.5/27.5/26.0	48.0/44.5/41.0/27.5/23.5	48.5/45.0/42.5/33.5/NA
Controls					
Wireless Remote Controller	°F or °C	Standard	Standard	Standard	Standard
Wired Wall Controller	°F or °C	Optional	Optional	Optional	Optional
Piping					
Liquid Pipe Connection Size	Φ inch	1/4	1/4	1/4	3/8
Suction Pipe Connection Size	Φ inch	3/8	1/2	1/2	5/8
Field Install Drain Pipe Size	Φ inch	1	1	1	1
Dimensions and Weights					
Unit Width	inch	22.44	22.44	22.44	32.68
Unit Height	inch	9.65	9.65	9.65	8.07
Unit Depth	inch	22.44	22.44	22.44	32.68
Unit Net Weight	lb	35.27	35.27	35.27	47.18
Panel Width	inch	24.375	24.375	24.375	37.5
Panel Height	inch	2.0	2.0	2.0	2.0
Panel Depth	inch	24.375	24.375	24.375	37.5
Panel Net Weight	lb	3.2	3.2	3.2	6.0

Fan Coil Specifications

Indoor Model		36CCHP0-C-M-A	48CCHP0-C-M-A
Electrical			
Power supply to Outdoor Unit	V,HZ,Ph	208-230~1-60	208-230~1-60
Fan Coil Power Supply		Fan Coil Powered from Outdoor Heat Pump	
MCA	A	3.0	3.0
Max Fuse		15.0	15.0
Connection Wiring		AWG 14-4	
Airflow			
Fan Speeds		3	3
Indoor air flow (T/Hi/Med/Lo) (No duct)	CFM	1042/948/854/853/659	1236/1124/1018/801/689
Indoor noise level (Hi/Med/Lo)	dB(A)	NA/52.0/47.5/40.0/38.0	NA/52.0/49.5/41.5/38.0
Controls			
Wireless Remote Controller	°F or °C	Standard	Standard
Wired Wall Controller	°F or °C	Optional	Optional
Piping			
Liquid Pipe Connection Size	Φ inch	3/8	3/8
Suction Pipe Connection Size	Φ inch	3/4	3/4
Field Install Drain Pipe Size	Φ inch	1	1
Dimensions and Weights			
Unit Width	inch	32.68	32.68
Unit Height	inch	9.65	11.3
Unit Depth	inch	32.68	32.68
Unit Net Weight	lb	47.18	47.18
Panel Width	inch	37.5	37.5
Panel Height	inch	2.0	2.0
Panel Depth	inch	37.5	37.5
Panel Net Weight	lb	6.0	6.0

Outdoor Heat Pump Specifications

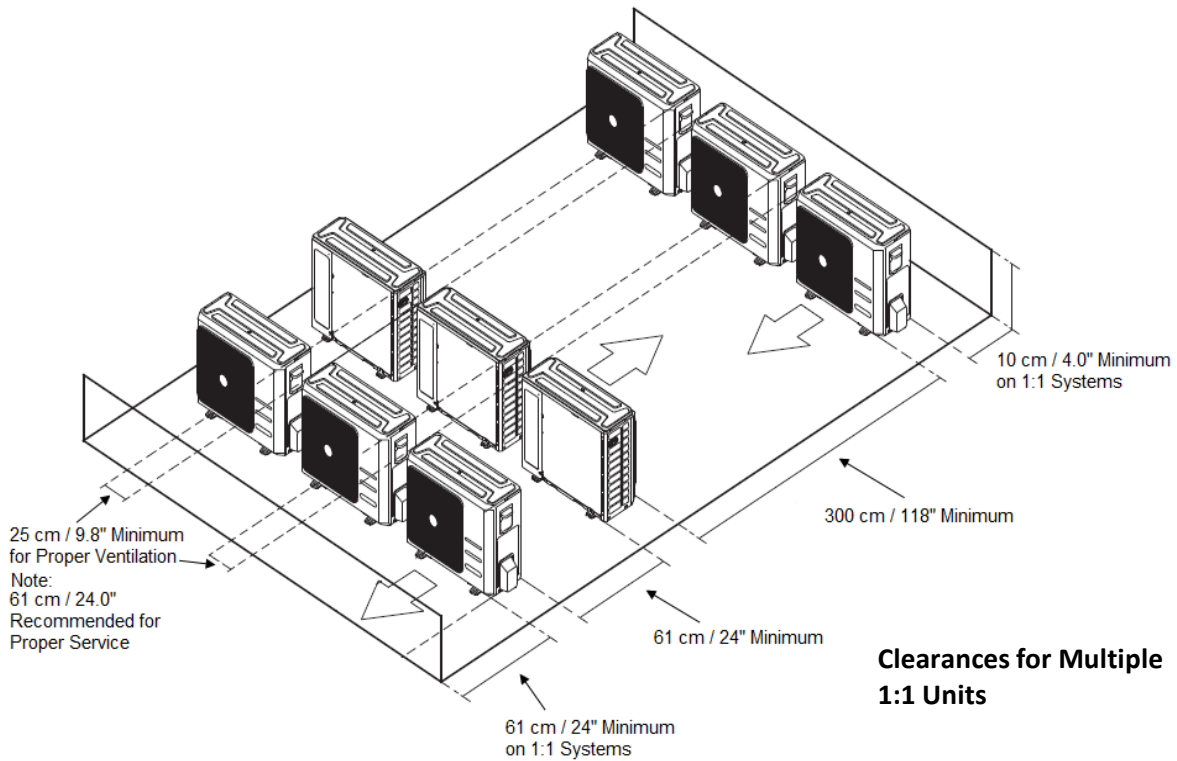
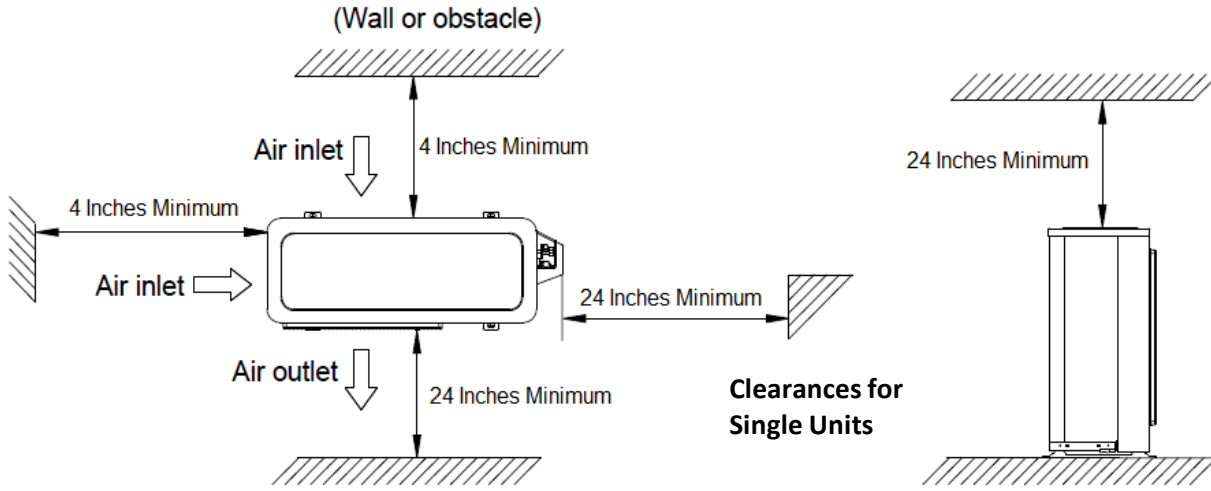
System Model		9CCHP0-HH-SYS-B	12CCHP0-HH-SYS-B	18CCHP0-HH-SYS-B	24CCHP0-HH-SYS-B	
Indoor Model		9CCHP0-C-M-B	12CCHP0-C-M-B	18CCHP0-C-M-B	24CCHP0-C-M-B	
Outdoor Model		MSH-09HD-B	MSH-12HD-B	MSH-18HD-B	MSH-24HD-B	
Power supply	V/Hz/Ph	208/230/60/1	208/230/60/1	208/230/60/1	208/230/60/1	
Minimum circuit ampacity	A	15.0	15.0	19.0	24.9	
Max. fuse	A	15.0	15.0	20.0	25.0	
Compressor	Model	KTN110D42UFZ	KTN110D42UFZ	KTM240D46UKT2	KTM240D46UKT2	
	Type	ROTARY	ROTARY	ROTARY	ROTARY	
	Brand	GMCC	GMCC	GMCC	GMCC	
	Capacity	W	3465	3465	4780 / 7600	4780 / 7600
	Input	W	885	885	805 / 2045	805 / 2045
	Rated current (RLA)	A	6	6	4.15 / 9.30	4.15 / 9.30
	Refrigerant oil	ml	VG74 / 350	VG74 / 350	VG74 / 620	VG74 / 620
Outdoor fan motor	Model	ZKFN-34-10-1-3	ZKFN-34-10-1-3	ZKFN-80-8-3	ZKFN-120-8-2	
	Qty	1	1	1	1	
	Output	W	45	45	45	45
	RLA	A	0.60	0.5	0.90	1.30
	Speed (H/M/L)	r/min	600/530/380	700/600/400	800/750/700	624/568/426
Outdoor air flow (Max.)	CFM	1472	1472	1766	2237	
Outdoor noise level	dB(A)	55.0	57.0	57.5	61.5	
Throttle type		EXV	EXV	EXV+Throttle Valve	EXV+Throttle Valve	
Outdoor unit	Dimension (W×D×H)	inch	31.69x12.99x21.81	31.69x12.99x21.81	35.04x13.46x26.50	37.24x16.14x31.89
	Packing (W×D×H)	inch	36.02x14.57x24.21	36.02x14.57x24.21	39.17x15.67x29.13	42.91x19.68x34.84
	Net/ Gross weight	lbs.	72.75 / 78.70	72.75 / 78.70	99.87 / 107.80	130.29 / 141.31
Refrigerant	Type/Precharge	Oz	R454B / 35.27	R454B / 35.27	R454B / 55.38	R454B / 63.49
Refrigerant precharge	ft	25	25	25	25	
Additional charge for each ft	oz	0.16	0.16	0.16	0.32	
Design pressure	PSIG	550 / 340	550 / 340	550 / 340	550 / 340	
Refrigerant piping	Liquid / Suction	inch	1/4" / 3/8"	1/4" / 3/8"	1/4" / 1/2"	3/8" / 5/8"
	Max. pipe length	ft	82	82	98	164
	Max. vertical lift	ft	49.2	49.2	65.6	82.0
Ambient Range	Cooling	°F	-22~122	-22~122	-22~122	-22~122
	Heating	°F	-22~75	-22~75	-22~75	-22~75

Outdoor Heat Pump Specifications

System Model		36HSHP0-HH-SYS-B	48HSHP0-HH-SYS-B	
Indoor Model		36HSHP0-C-M-B	48HSHP0-C-M-B	
Outdoor Model		MSH-36HD-B	MSH-48HD-B	
Power supply	V/Hz/Ph	208/230/60/1	208/230/60/1	
Minimum circuit ampacity	A	38.0	44.0	
Max. fuse	A	40.0	45.0	
Compressor	Model	EKPQ420D1UMUA	EKPQ420D1UMUA	
	Type	ROTARY	ROTARY	
	Brand	GMCC	GMCC	
	Capacity	W	12000	12000
	Input	W	3265	3265
	Rated current (RLA)	A	24.5	27.0
	Refrigerant oil	ml	VG75 / 1460	VG75 / 1460
Outdoor fan motor	Model	ZKFN-250-10-1	ZKFN-85-10-1L	
	Qty	1	2	
	Input	W	150	126
	RLA	A	2.1	1.2
	Speed	r/min	750/650/550	850/750/650
Outdoor air flow (Max.)	CFM	3002	4238	
Outdoor noise level	dB(A)	64.5	62.5	
Throttle type		EXV+Throttle Valve	EXV+Throttle Valve	
Outdoor unit	Dimension (W×D×H)	inch	38.58x16.34x38.39	37.48x16.34x52.48
	Packing (W×D×H)	inch	45.08x19.68x42.52	43.11x19.49x57.48
	Net/ Gross weight	lbs.	206.57 / 237.44	208.78 / 239.86
Refrigerant	Type/Precharge	Oz	R454B / 126.99	R454B / 126.10
Refrigerant precharge		ft	25	25
Additional charge for each ft		oz	0.32	0.32
Design pressure		PSIG	550 / 340	550 / 340
Refrigerant piping	Liquid / Suction	inch	3/8" / 3/4"	3/8" / 3/4"
	Max. pipe length	ft	246	246
	Max. vertical lift	ft	98.4	98.4
Ambient Range	Cooling	°F	-22~122	-22~122
	Heating	°F	-22~75	-22~75

Clearances

MSH Outdoor Units



CCHP-HH-SYS-B

System Performance

Hyper Heat Systems									
System	Indoor Fan Coil	Outdoor HP	SEER2	EER2	COP	HSPF2	BTU Cooling	BTU Heating	AHRI Reference Number
9CCHP0-HH-SYS-B	9CCHP0-C-M-A-B	MSH-09HD-B	22.60	14.0	4.0	12.1	9,000	10,000	
12CCHP0-HH-SYS-B	12CCHP0-C-M-B	MSH-12HD-B	22.20	12.5	3.7	11.6	12,000	12,000	
18CCHP0-HH-SYS-B	18CCHP0-C-M-B	MSH-18HD-B	20.00	12.5	3.2	12.3	16,000	19,000	
24CCHP0-HH-SYS-B	24CCHP0-C-M-B	MSH-24HD-B	20.70	12.0	3.5	11.6	23,500	25,000	
36CCHP0-HH-SYS-B	36CCHP0-C-M-B	MSH-36HD-B	21.20	12.0	3.4	10.6	36,600	37,000	
48CCHP0-HH-SYS-B	48CCHP0-C-M-B	MSH-48HD-B	18.00	10.0	3.1	11.0	48,000	53,000	

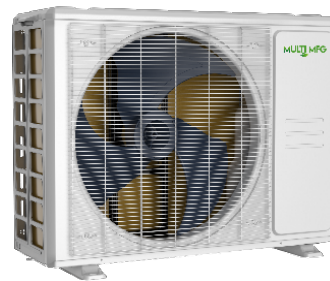
Fan Coil Noise Level (dBA)

Fan Coil	dBA High
9CCHP0-C-M-B	40.0
12CCHP0-C-M-B	43.5
18CCHP0-C-M-B	44.5
24CCHP0-C-M-B	45.0
36CCHP0-C-M-B	52.0
48CCHP0-C-M-B	52.0



Outdoor Heat Pump Noise Level

Heat Pump	dBA
MSH-09HD-B	55.0
MSH-12HD-B	57.0
MSH-18HD-B	57.5
MSH-24HD-B	61.5
MSH-36HD-B	64.5
MSH-48HD-B	62.5



9CCHP-HH-SYS-B Expanded Cooling @ 182 CFM

OD DB	ID WB (°F)	60.8 °F					64.4°F					67.0°F					71.6°F				
	ID DB (°F)	73.4 °F	77.0 °F	80.0 °F	80.6 °F	84.2 °F	73.4 °F	77.0 °F	80.0 °F	80.6 °F	84.2 °F	73.4 °F	77.0 °F	80.0 °F	80.6 °F	84.2 °F	73.4 °F	77.0 °F	80.0 °F	80.6 °F	84.2 °F
50°F	TC	9027	9039	9049	9049	9061	9571	9582	9592	9593	9605	10143	10156	10167	10169	10180	10754	10765	10777	10779	10792
	S/T	0.38	0.44	0.50	0.50	0.57	0.40	0.47	0.53	0.53	0.60	0.42	0.49	0.56	0.56	0.64	0.45	0.52	0.60	0.60	0.68
	PI	0.37	0.37	0.37	0.37	0.37	0.40	0.40	0.40	0.40	0.40	0.42	0.42	0.42	0.42	0.42	0.44	0.44	0.45	0.45	0.45
59°F	TC	9187	9199	9209	9210	9222	9741	9752	9762	9764	9775	10323	10336	10348	10350	10361	10945	10957	10969	10970	10984
	S/T	0.38	0.44	0.50	0.50	0.57	0.40	0.47	0.53	0.53	0.61	0.42	0.50	0.56	0.56	0.64	0.45	0.53	0.60	0.60	0.68
	PI	0.39	0.39	0.39	0.39	0.39	0.41	0.41	0.41	0.41	0.41	0.43	0.43	0.43	0.43	0.43	0.46	0.46	0.46	0.46	0.46
68°F	TC	9347	9360	9370	9370	9383	9911	9922	9932	9934	9946	10503	10516	10528	10530	10542	11136	11148	11160	11162	11176
	S/T	0.39	0.45	0.52	0.52	0.59	0.41	0.48	0.55	0.55	0.62	0.43	0.51	0.58	0.58	0.66	0.46	0.54	0.61	0.61	0.70
	PI	0.40	0.40	0.40	0.40	0.40	0.42	0.42	0.42	0.42	0.42	0.45	0.45	0.45	0.45	0.45	0.47	0.47	0.48	0.48	0.48
77°F	TC	9508	9521	9531	9531	9544	10081	10093	10103	10105	10117	10683	10697	10709	10711	10723	11327	11339	11351	11353	11367
	S/T	0.39	0.46	0.52	0.52	0.60	0.42	0.49	0.55	0.55	0.63	0.44	0.52	0.59	0.59	0.67	0.47	0.55	0.62	0.62	0.71
	PI	0.41	0.41	0.41	0.41	0.41	0.44	0.44	0.44	0.44	0.44	0.46	0.46	0.46	0.46	0.46	0.49	0.49	0.49	0.49	0.49
80°F	TC	9501	9514	9524	9525	9538	10074	10086	10096	10098	10110	10676	10690	10702	10704	10716	11319	11331	11344	11346	11360
	S/T	0.40	0.47	0.53	0.53	0.60	0.42	0.49	0.56	0.56	0.64	0.45	0.52	0.59	0.60	0.68	0.47	0.56	0.63	0.63	0.72
	PI	0.46	0.46	0.46	0.46	0.46	0.49	0.49	0.49	0.49	0.49	0.52	0.52	0.52	0.52	0.52	0.55	0.55	0.55	0.55	0.55
86°F	TC	9376	9389	9399	9399	9412	9941	9953	9963	9965	9977	10535	10549	10561	10562	10574	11170	11182	11194	11196	11210
	S/T	0.40	0.47	0.54	0.54	0.61	0.43	0.50	0.57	0.57	0.65	0.45	0.53	0.60	0.60	0.69	0.48	0.56	0.64	0.64	0.73
	PI	0.56	0.56	0.56	0.56	0.56	0.59	0.59	0.59	0.59	0.59	0.62	0.62	0.63	0.63	0.63	0.66	0.66	0.66	0.66	0.66
95°F	TC	9094	9106	9116	9117	9129	9642	9654	9663	9665	9677	10218	10232	10243	10245	10256	10834	10846	10858	10859	10873
	S/T	0.40	0.47	0.54	0.54	0.61	0.43	0.50	0.57	0.57	0.65	0.45	0.53	0.60	0.60	0.69	0.48	0.56	0.64	0.64	0.73
	PI	0.77	0.77	0.77	0.77	0.77	0.82	0.82	0.82	0.82	0.82	0.86	0.87	0.87	0.87	0.87	0.92	0.92	0.92	0.92	0.92
104°F	TC	8049	8060	8069	8069	8080	8534	8545	8553	8555	8565	9044	9056	9066	9068	9078	9589	9600	9610	9612	9624
	S/T	0.41	0.48	0.55	0.55	0.63	0.44	0.51	0.58	0.58	0.66	0.46	0.54	0.62	0.62	0.70	0.49	0.58	0.65	0.65	0.75
	PI	0.77	0.77	0.77	0.77	0.77	0.81	0.82	0.82	0.82	0.82	0.86	0.86	0.86	0.86	0.87	0.91	0.92	0.92	0.92	0.92
110°F	TC	7422	7432	7440	7441	7451	7870	7879	7887	7888	7898	8340	8351	8360	8362	8371	8842	8852	8862	8863	8874
	S/T	0.43	0.50	0.57	0.57	0.65	0.45	0.53	0.60	0.60	0.69	0.48	0.56	0.64	0.64	0.73	0.51	0.60	0.68	0.68	0.77
	PI	0.77	0.77	0.77	0.77	0.77	0.81	0.81	0.82	0.82	0.82	0.86	0.86	0.86	0.86	0.87	0.91	0.91	0.92	0.92	0.92
115°F	TC	6099	6107	6114	6114	6123	6467	6474	6481	6482	6490	6853	6862	6870	6871	6879	7266	7274	7282	7283	7292
	S/T	0.43	0.51	0.58	0.58	0.66	0.46	0.54	0.61	0.61	0.70	0.49	0.57	0.65	0.65	0.74	0.51	0.60	0.69	0.69	0.78
	PI	0.64	0.64	0.64	0.64	0.64	0.68	0.68	0.68	0.68	0.68	0.72	0.72	0.72	0.72	0.72	0.76	0.76	0.76	0.76	0.76
122°F	TC	4335	4341	4345	4346	4352	4596	4602	4606	4607	4613	4871	4877	4883	4883	4889	5164	5170	5176	5176	5183
	S/T	0.44	0.52	0.59	0.59	0.67	0.47	0.55	0.63	0.63	0.71	0.50	0.58	0.66	0.66	0.76	0.53	0.62	0.70	0.70	0.80
	PI	0.47	0.47	0.47	0.47	0.47	0.50	0.50	0.50	0.50	0.50	0.52	0.53	0.53	0.53	0.53	0.56	0.56	0.56	0.56	0.56

9CCHP-HH-SYS-B Expanded Cooling @ 265 CFM

OD DB	ID WB (°F)	60.8 °F					64.4°F					67.0°F					71.6°F				
		ID DB (°F)	73.4 °F	77.0 °F	80.0 °F	80.6 °F	84.2 °F	73.4 °F	77.0 °F	80.0 °F	80.6 °F	84.2 °F	73.4 °F	77.0 °F	80.0 °F	80.6 °F	84.2 °F	73.4 °F	77.0 °F	80.0 °F	80.6 °F
50°F	TC	9921	9935	9945	9946	9959	10519	10532	10542	10544	10557	11148	11162	11175	11177	11189	11819	11832	11845	11847	11862
	S/T	0.41	0.48	0.55	0.55	0.63	0.44	0.51	0.58	0.58	0.66	0.46	0.54	0.62	0.62	0.70	0.49	0.58	0.65	0.65	0.75
	PI	0.41	0.41	0.41	0.41	0.41	0.43	0.44	0.44	0.44	0.44	0.46	0.46	0.46	0.46	0.46	0.49	0.49	0.49	0.49	0.49
59°F	TC	10098	10111	10122	10122	10136	10706	10719	10729	10731	10744	11346	11360	11373	11375	11388	12029	12042	12056	12057	12072
	S/T	0.41	0.49	0.55	0.55	0.63	0.44	0.52	0.59	0.59	0.67	0.47	0.55	0.62	0.62	0.71	0.49	0.58	0.66	0.66	0.75
	PI	0.42	0.42	0.42	0.42	0.43	0.45	0.45	0.45	0.45	0.45	0.48	0.48	0.48	0.48	0.48	0.50	0.51	0.51	0.51	0.51
68°F	TC	10274	10288	10299	10299	10313	10893	10906	10917	10919	10932	11544	11559	11572	11574	11587	12239	12253	12266	12268	12283
	S/T	0.43	0.50	0.57	0.57	0.65	0.45	0.53	0.60	0.60	0.69	0.48	0.56	0.64	0.64	0.73	0.51	0.59	0.68	0.68	0.77
	PI	0.44	0.44	0.44	0.44	0.44	0.46	0.46	0.46	0.46	0.47	0.49	0.49	0.49	0.49	0.49	0.52	0.52	0.52	0.52	0.52
77°F	TC	10450	10464	10475	10476	10490	11080	11093	11104	11106	11119	11742	11757	11770	11772	11785	12449	12463	12476	12478	12494
	S/T	0.43	0.51	0.57	0.57	0.66	0.46	0.54	0.61	0.61	0.69	0.48	0.57	0.65	0.65	0.74	0.51	0.60	0.68	0.68	0.78
	PI	0.45	0.45	0.45	0.45	0.45	0.48	0.48	0.48	0.48	0.48	0.51	0.51	0.51	0.51	0.51	0.54	0.54	0.54	0.54	0.54
80°F	TC	10443	10457	10468	10469	10483	11072	11086	11096	11099	11112	11734	11749	11762	11764	11778	12441	12454	12468	12470	12485
	S/T	0.44	0.51	0.58	0.58	0.66	0.46	0.54	0.62	0.62	0.70	0.49	0.58	0.65	0.65	0.75	0.52	0.61	0.69	0.69	0.79
	PI	0.51	0.51	0.51	0.51	0.51	0.54	0.54	0.54	0.54	0.54	0.57	0.57	0.57	0.57	0.57	0.60	0.60	0.60	0.60	0.61
86°F	TC	10305	10319	10330	10331	10345	10926	10939	10950	10952	10965	11579	11594	11607	11609	11622	12277	12290	12304	12305	12321
	S/T	0.44	0.52	0.59	0.59	0.67	0.47	0.55	0.62	0.62	0.71	0.50	0.58	0.66	0.66	0.75	0.53	0.62	0.70	0.70	0.80
	PI	0.61	0.61	0.61	0.61	0.61	0.65	0.65	0.65	0.65	0.65	0.69	0.69	0.69	0.69	0.69	0.73	0.73	0.73	0.73	0.73
95°F	TC	9995	10009	10020	10020	10034	10598	10610	10621	10623	10635	11231	11246	11258	11260	11273	11908	11921	11934	11935	11950
	S/T	0.44	0.52	0.59	0.59	0.67	0.47	0.55	0.62	0.62	0.71	0.50	0.58	0.66	0.66	0.75	0.53	0.62	0.70	0.70	0.80
	PI	0.85	0.85	0.85	0.85	0.85	0.90	0.90	0.90	0.90	0.90	0.95	0.95	0.95	0.95	0.95	1.01	1.01	1.01	1.01	1.01
104°F	TC	8847	8859	8868	8869	8881	9380	9391	9401	9402	9414	9941	9954	9965	9966	9978	10540	10551	10562	10564	10577
	S/T	0.45	0.53	0.60	0.60	0.69	0.48	0.56	0.64	0.64	0.73	0.51	0.60	0.68	0.68	0.77	0.54	0.63	0.72	0.72	0.82
	PI	0.84	0.85	0.85	0.85	0.85	0.89	0.90	0.90	0.90	0.90	0.95	0.95	0.95	0.95	0.95	1.01	1.01	1.01	1.01	1.01
110°F	TC	8158	8169	8178	8178	8189	8650	8660	8668	8670	8680	9166	9178	9189	9190	9201	9719	9729	9740	9741	9754
	S/T	0.47	0.55	0.63	0.63	0.71	0.50	0.58	0.66	0.66	0.76	0.53	0.62	0.70	0.70	0.80	0.56	0.66	0.75	0.75	0.85
	PI	0.84	0.84	0.85	0.85	0.85	0.89	0.89	0.90	0.90	0.90	0.95	0.95	0.95	0.95	0.95	1.00	1.01	1.01	1.01	1.01
115°F	TC	6704	6713	6720	6720	6729	7108	7116	7123	7125	7133	7532	7542	7550	7552	7560	7986	7995	8004	8005	8015
	S/T	0.48	0.56	0.63	0.63	0.72	0.50	0.59	0.67	0.67	0.77	0.53	0.63	0.71	0.71	0.81	0.57	0.66	0.75	0.75	0.86
	PI	0.70	0.70	0.70	0.70	0.70	0.74	0.74	0.75	0.75	0.75	0.79	0.79	0.79	0.79	0.79	0.84	0.84	0.84	0.84	0.84
122°F	TC	4765	4771	4776	4776	4783	5052	5058	5063	5064	5070	5354	5360	5366	5367	5373	5676	5682	5688	5689	5696
	S/T	0.49	0.57	0.65	0.65	0.74	0.52	0.60	0.69	0.69	0.78	0.55	0.64	0.73	0.73	0.83	0.58	0.68	0.77	0.77	0.88
	PI	0.51	0.51	0.51	0.51	0.52	0.54	0.54	0.55	0.55	0.55	0.58	0.58	0.58	0.58	0.58	0.61	0.61	0.61	0.61	0.61

9CCHP-HH-SYS-B Expanded Cooling @ 312 CFM

OD DB	ID WB (°F)	60.8 °F					64.4°F					67.0°F					71.6°F				
		ID DB (°F)	73.4 °F	77.0 °F	80.0 °F	80.6 °F	84.2 °F	73.4 °F	77.0 °F	80.0 °F	80.6 °F	84.2 °F	73.4 °F	77.0 °F	80.0 °F	80.6 °F	84.2 °F	73.4 °F	77.0 °F	80.0 °F	80.6 °F
50°F	TC	10905	10919	10931	10932	10946	11562	11575	11587	11589	11603	12253	12268	12282	12284	12298	12991	13005	13019	13021	13037
	S/T	0.45	0.53	0.60	0.60	0.69	0.48	0.56	0.64	0.64	0.73	0.51	0.60	0.68	0.68	0.77	0.54	0.63	0.72	0.72	0.82
	PI	0.45	0.45	0.45	0.45	0.45	0.48	0.48	0.48	0.48	0.48	0.51	0.51	0.51	0.51	0.51	0.54	0.54	0.54	0.54	0.54
59°F	TC	11098	11113	11125	11126	11141	11767	11781	11793	11795	11809	12470	12486	12500	12503	12517	13221	13236	13250	13252	13269
	S/T	0.46	0.53	0.61	0.61	0.69	0.48	0.57	0.64	0.64	0.73	0.51	0.60	0.68	0.68	0.78	0.54	0.64	0.72	0.72	0.82
	PI	0.47	0.47	0.47	0.47	0.47	0.49	0.49	0.49	0.49	0.50	0.52	0.52	0.52	0.52	0.53	0.55	0.56	0.56	0.56	0.56
68°F	TC	11292	11307	11319	11320	11335	11972	11987	11998	12001	12015	12688	12704	12718	12721	12735	13452	13467	13481	13484	13500
	S/T	0.47	0.55	0.62	0.62	0.71	0.50	0.58	0.66	0.66	0.75	0.53	0.62	0.70	0.70	0.80	0.56	0.65	0.74	0.74	0.85
	PI	0.48	0.48	0.48	0.48	0.48	0.51	0.51	0.51	0.51	0.51	0.54	0.54	0.54	0.54	0.54	0.57	0.57	0.57	0.57	0.57
77°F	TC	11486	11501	11513	11514	11529	12178	12192	12204	12207	12221	12905	12922	12936	12939	12953	13683	13698	13713	13715	13732
	S/T	0.47	0.56	0.63	0.63	0.72	0.50	0.59	0.67	0.67	0.76	0.53	0.62	0.71	0.71	0.81	0.56	0.66	0.75	0.75	0.86
	PI	0.50	0.50	0.50	0.50	0.50	0.53	0.53	0.53	0.53	0.53	0.56	0.56	0.56	0.56	0.56	0.59	0.59	0.59	0.59	0.59
80°F	TC	11478	11493	11506	11506	11522	12170	12184	12196	12199	12213	12897	12914	12928	12930	12945	13674	13689	13704	13706	13723
	S/T	0.48	0.56	0.64	0.64	0.73	0.51	0.60	0.68	0.68	0.77	0.54	0.63	0.72	0.72	0.82	0.57	0.67	0.76	0.76	0.87
	PI	0.56	0.56	0.56	0.56	0.56	0.59	0.59	0.59	0.59	0.59	0.63	0.63	0.63	0.63	0.63	0.66	0.66	0.66	0.66	0.67
86°F	TC	11327	11342	11354	11355	11370	12009	12023	12035	12038	12052	12727	12743	12757	12760	12774	13493	13508	13523	13525	13542
	S/T	0.49	0.57	0.65	0.65	0.74	0.52	0.60	0.69	0.69	0.78	0.55	0.64	0.73	0.73	0.83	0.58	0.68	0.77	0.77	0.88
	PI	0.67	0.67	0.67	0.67	0.67	0.71	0.71	0.71	0.71	0.71	0.75	0.75	0.76	0.76	0.76	0.80	0.80	0.80	0.80	0.80
95°F	TC	10986	11001	11013	11013	11028	11648	11662	11673	11676	11689	12344	12360	12374	12376	12390	13088	13102	13116	13118	13135
	S/T	0.49	0.57	0.65	0.65	0.74	0.52	0.60	0.69	0.69	0.78	0.55	0.64	0.73	0.73	0.83	0.58	0.68	0.77	0.77	0.88
	PI	0.93	0.93	0.93	0.93	0.93	0.98	0.99	0.99	0.99	0.99	1.04	1.05	1.05	1.05	1.05	1.11	1.11	1.11	1.11	1.11
104°F	TC	9724	9737	9747	9748	9761	10310	10322	10332	10334	10346	10926	10940	10952	10954	10966	11584	11597	11609	11611	11626
	S/T	0.50	0.58	0.66	0.66	0.76	0.53	0.62	0.70	0.70	0.80	0.56	0.66	0.75	0.75	0.85	0.59	0.70	0.79	0.79	0.90
	PI	0.93	0.93	0.93	0.93	0.93	0.98	0.98	0.99	0.99	0.99	1.04	1.04	1.04	1.04	1.05	1.10	1.11	1.11	1.11	1.11
110°F	TC	8966	8979	8988	8989	9001	9507	9518	9528	9529	9541	10075	10088	10099	10101	10112	10682	10693	10705	10707	10720
	S/T	0.52	0.61	0.69	0.69	0.78	0.55	0.64	0.73	0.73	0.83	0.58	0.68	0.77	0.77	0.88	0.61	0.72	0.82	0.82	0.93
	PI	0.93	0.93	0.93	0.93	0.93	0.98	0.98	0.98	0.98	0.99	1.04	1.04	1.04	1.04	1.05	1.10	1.11	1.11	1.11	1.11
115°F	TC	7368	7378	7386	7386	7396	7812	7821	7829	7831	7840	8279	8290	8299	8300	8310	8778	8787	8797	8798	8809
	S/T	0.52	0.61	0.70	0.70	0.79	0.55	0.65	0.74	0.74	0.84	0.59	0.69	0.78	0.78	0.89	0.62	0.73	0.83	0.83	0.95
	PI	0.77	0.77	0.77	0.77	0.77	0.82	0.82	0.82	0.82	0.82	0.87	0.87	0.87	0.87	0.87	0.92	0.92	0.92	0.92	0.92
122°F	TC	5237	5244	5249	5250	5257	5552	5559	5564	5566	5572	5884	5892	5898	5899	5906	6239	6245	6252	6253	6261
	S/T	0.53	0.63	0.71	0.71	0.81	0.57	0.66	0.76	0.76	0.86	0.60	0.70	0.80	0.80	0.91	0.64	0.75	0.85	0.85	0.97
	PI	0.56	0.57	0.57	0.57	0.57	0.60	0.60	0.60	0.60	0.60	0.63	0.63	0.64	0.64	0.64	0.67	0.67	0.67	0.67	0.67

9CCHP-HH-SYS-B Expanded Cooling @ 353 CFM

OD DB	ID WB (°F)	60.8 °F					64.4°F					67.0°F					71.6°F				
		ID DB (°F)	73.4 °F	77.0 °F	80.0 °F	80.6 °F	84.2 °F	73.4 °F	77.0 °F	80.0 °F	80.6 °F	84.2 °F	73.4 °F	77.0 °F	80.0 °F	80.6 °F	84.2 °F	73.4 °F	77.0 °F	80.0 °F	80.6 °F
50°F	TC	11985	12001	12014	12015	12031	12708	12723	12735	12738	12753	13467	13484	13499	13502	13517	14278	14294	14309	14311	14329
	S/T	0.50	0.58	0.66	0.66	0.76	0.53	0.62	0.70	0.70	0.80	0.56	0.66	0.75	0.75	0.85	0.59	0.70	0.79	0.79	0.90
	PI	0.50	0.50	0.50	0.50	0.50	0.53	0.53	0.53	0.53	0.53	0.56	0.56	0.56	0.56	0.56	0.59	0.59	0.59	0.59	0.59
59°F	TC	12198	12215	12228	12228	12245	12933	12949	12961	12964	12979	13706	13724	13739	13742	13757	14532	14548	14563	14566	14584
	S/T	0.50	0.59	0.67	0.67	0.76	0.53	0.62	0.71	0.71	0.81	0.56	0.66	0.75	0.75	0.86	0.60	0.70	0.80	0.80	0.91
	PI	0.51	0.51	0.51	0.51	0.51	0.54	0.54	0.54	0.54	0.54	0.58	0.58	0.58	0.58	0.58	0.61	0.61	0.61	0.61	0.61
68°F	TC	12411	12428	12441	12442	12458	13159	13174	13188	13190	13206	13945	13963	13979	13981	13997	14785	14801	14817	14820	14838
	S/T	0.51	0.60	0.69	0.69	0.78	0.54	0.64	0.73	0.73	0.83	0.58	0.68	0.77	0.77	0.88	0.61	0.72	0.82	0.82	0.93
	PI	0.53	0.53	0.53	0.53	0.53	0.56	0.56	0.56	0.56	0.56	0.59	0.59	0.60	0.60	0.60	0.63	0.63	0.63	0.63	0.63
77°F	TC	12624	12641	12654	12655	12672	13385	13400	13414	13416	13432	14184	14203	14218	14221	14237	15039	15055	15072	15074	15093
	S/T	0.52	0.61	0.69	0.69	0.79	0.55	0.65	0.74	0.74	0.84	0.59	0.69	0.78	0.78	0.89	0.62	0.73	0.83	0.83	0.94
	PI	0.54	0.55	0.55	0.55	0.55	0.58	0.58	0.58	0.58	0.58	0.61	0.61	0.61	0.61	0.61	0.65	0.65	0.65	0.65	0.65
80°F	TC	12615	12632	12646	12647	12664	13376	13392	13405	13407	13423	14175	14193	14209	14212	14228	15029	15045	15062	15064	15083
	S/T	0.53	0.62	0.70	0.70	0.80	0.56	0.66	0.75	0.75	0.85	0.59	0.70	0.79	0.79	0.90	0.63	0.74	0.84	0.84	0.95
	PI	0.61	0.61	0.61	0.61	0.61	0.65	0.65	0.65	0.65	0.65	0.69	0.69	0.69	0.69	0.69	0.73	0.73	0.73	0.73	0.73
86°F	TC	12449	12466	12479	12480	12497	13199	13215	13228	13231	13246	13988	14006	14022	14024	14040	14831	14847	14863	14865	14884
	S/T	0.53	0.63	0.71	0.71	0.81	0.57	0.66	0.75	0.75	0.86	0.60	0.70	0.80	0.80	0.91	0.64	0.75	0.85	0.85	0.97
	PI	0.74	0.74	0.74	0.74	0.74	0.78	0.78	0.78	0.78	0.78	0.83	0.83	0.83	0.83	0.83	0.88	0.88	0.88	0.88	0.88
95°F	TC	12075	12091	12104	12104	12121	12802	12818	12830	12833	12848	13567	13585	13600	13603	13618	14385	14400	14416	14418	14436
	S/T	0.53	0.63	0.71	0.71	0.81	0.57	0.66	0.75	0.75	0.86	0.60	0.70	0.80	0.80	0.91	0.64	0.75	0.85	0.85	0.97
	PI	1.02	1.02	1.02	1.02	1.02	1.08	1.08	1.08	1.09	1.09	1.15	1.15	1.15	1.15	1.15	1.22	1.22	1.22	1.22	1.22
104°F	TC	10687	10702	10713	10714	10728	11332	11345	11356	11358	11372	12008	12024	12038	12040	12053	12732	12746	12760	12762	12778
	S/T	0.55	0.64	0.73	0.73	0.83	0.58	0.68	0.77	0.77	0.88	0.62	0.72	0.82	0.82	0.93	0.65	0.76	0.87	0.87	0.99
	PI	1.02	1.02	1.02	1.02	1.02	1.08	1.08	1.08	1.08	1.08	1.15	1.15	1.15	1.15	1.15	1.21	1.22	1.22	1.22	1.22
110°F	TC	9855	9868	9879	9879	9893	10449	10461	10472	10474	10486	11073	11088	11100	11102	11114	11740	11753	11766	11768	11782
	S/T	0.57	0.67	0.76	0.76	0.86	0.60	0.71	0.80	0.80	0.91	0.64	0.75	0.85	0.85	0.97	0.68	0.79	0.90	0.90	1.00
	PI	1.02	1.02	1.02	1.02	1.02	1.08	1.08	1.08	1.08	1.08	1.14	1.15	1.15	1.15	1.15	1.21	1.21	1.22	1.22	1.22
115°F	TC	8098	8109	8118	8118	8129	8586	8596	8605	8607	8617	9099	9111	9121	9123	9133	9647	9658	9668	9670	9682
	S/T	0.57	0.67	0.77	0.77	0.87	0.61	0.71	0.81	0.81	0.92	0.65	0.76	0.86	0.86	0.98	0.68	0.80	0.91	0.91	1.00
	PI	0.85	0.85	0.85	0.85	0.85	0.90	0.90	0.90	0.90	0.90	0.95	0.95	0.95	0.96	0.96	1.01	1.01	1.01	1.01	1.01
122°F	TC	5756	5763	5770	5770	5778	6103	6110	6116	6117	6124	6467	6476	6483	6484	6491	6857	6864	6872	6873	6881
	S/T	0.59	0.69	0.78	0.78	0.89	0.62	0.73	0.83	0.83	0.95	0.66	0.77	0.88	0.88	1.00	0.70	0.82	0.93	0.93	1.00
	PI	0.62	0.62	0.62	0.62	0.62	0.66	0.66	0.66	0.66	0.66	0.70	0.70	0.70	0.70	0.70	0.74	0.74	0.74	0.74	0.74

9CCHP-HH-SYS-B Expanded Heating @ 182 CFM

CFM	HEATING PERFORMANCE AT INDOOR DRY BULB TEMPERATURE										
	ODDB	TC : Total Heating Capacity(BTU/hr)					PI : Power Input(kW)				
		Indoor Conditions (DB °F)					Indoor Conditions (DB °F)				
		60.8°F	68°F	70°F	71.6°F	75.2°F	60.8°F	68°F	70°F	71.6°F	75.2°F
182	-22°F	3119	3057	3042	2911	2885	1.07	1.07	1.08	1.08	1.08
	-13°F	4248	4163	4142	3812	3778	1.17	1.18	1.18	1.19	1.19
	-4°F	5716	5601	5573	5129	5082	1.38	1.39	1.39	1.40	1.40
	0°F	6952	6812	6778	6238	6181	1.51	1.53	1.53	1.53	1.54
	5°F	8496	8326	8285	7624	7555	1.68	1.70	1.70	1.70	1.71
	14°F	9423	9235	9189	8455	8379	1.69	1.70	1.70	1.71	1.72
	17°F	9732	9537	9490	8733	8654	1.69	1.70	1.71	1.71	1.72
	22°F	10171	9967	9917	9126	9044	1.67	1.68	1.68	1.69	1.69
	27°F	10609	10397	10345	9520	9434	1.65	1.66	1.66	1.67	1.67
	32°F	11048	10827	10773	9913	9824	1.62	1.64	1.64	1.64	1.65
	35°F	11311	11085	11029	10149	10058	1.61	1.62	1.63	1.63	1.64
	37°F	11486	11256	11200	10306	10213	1.56	1.57	1.57	1.57	1.58
	42°F	11922	11683	11625	10697	10601	1.42	1.43	1.43	1.43	1.44
	44.6°F	12096	11855	11795	10854	10756	1.36	1.37	1.37	1.38	1.38
	47°F	12358	12111	12051	11089	10989	1.28	1.29	1.29	1.29	1.30
	52°F	12020	11780	11721	10785	10688	1.13	1.14	1.14	1.15	1.15
	57°F	11682	11448	11391	10482	10388	0.99	1.00	1.00	1.00	1.00
59°F	11547	11316	11259	10361	10267	0.93	0.94	0.94	0.94	0.94	
62°F	11344	11117	11061	10179	10087	0.84	0.85	0.85	0.85	0.86	
64.4°F	11208	10984	10929	10057	9967	0.78	0.79	0.79	0.79	0.80	

9CCHP-HH-SYS-B Expanded Heating @ 265 CFM

CFM	HEATING PERFORMANCE AT INDOOR DRY BULB TEMPERATURE										
	ODDB	TC : Total Heating Capacity(BTU/hr)					PI : Power Input(kW)				
		Indoor Conditions (DB °F)					Indoor Conditions (DB °F)				
		60.8°F	68°F	70°F	71.6°F	75.2°F	60.8°F	68°F	70°F	71.6°F	75.2°F
265	-22°F	3496	3426	3409	3328	3299	1.08	1.08	1.09	1.09	1.09
	-13°F	4669	4576	4553	4359	4319	1.18	1.19	1.20	1.20	1.20
	-4°F	6282	6156	6126	5864	5812	1.39	1.40	1.41	1.41	1.42
	0°F	7640	7488	7450	7132	7068	1.53	1.54	1.55	1.55	1.55
	5°F	9338	9152	9106	8717	8639	1.70	1.71	1.72	1.72	1.73
	14°F	10357	10150	10099	9668	9581	1.70	1.72	1.72	1.73	1.73
	17°F	10697	10483	10430	9985	9896	1.71	1.72	1.72	1.73	1.73
	22°F	11179	10955	10900	10435	10342	1.68	1.70	1.70	1.70	1.71
	27°F	11661	11428	11370	10885	10787	1.66	1.68	1.68	1.68	1.69
	32°F	12143	11900	11840	11335	11233	1.64	1.65	1.66	1.66	1.67
	35°F	12432	12183	12123	11605	11501	1.63	1.64	1.64	1.65	1.65
	37°F	12624	12371	12310	11785	11679	1.57	1.58	1.59	1.59	1.60
	42°F	13103	12841	12777	12232	12122	1.43	1.44	1.45	1.45	1.45
	44.6°F	13295	13029	12964	12411	12300	1.37	1.39	1.39	1.39	1.40
	47°F	13583	13311	13245	12680	12566	1.29	1.30	1.30	1.31	1.31
	52°F	13211	12947	12882	12333	12222	1.14	1.15	1.16	1.16	1.16
	57°F	12840	12583	12520	11986	11878	1.00	1.01	1.01	1.01	1.01
59°F	12691	12437	12375	11847	11740	0.94	0.95	0.95	0.95	0.95	
62°F	12468	12218	12157	11639	11534	0.85	0.86	0.86	0.86	0.87	
64.4°F	12319	12073	12012	11500	11397	0.79	0.80	0.80	0.80	0.81	

9CCHP-HH-SYS-B Expanded Heating @ 312 CFM

CFM	HEATING PERFORMANCE AT INDOOR DRY BULB TEMPERATURE										
	ODDB	TC : Total Heating Capacity(BTU/hr)					PI : Power Input(kW)				
		Indoor Conditions (DB °F)					Indoor Conditions (DB °F)				
		60.8°F	68°F	70°F	71.6°F	75.2°F	60.8°F	68°F	70°F	71.6°F	75.2°F
312	-22°F	3919	3841	3821	3806	3772	1.09	1.10	1.10	1.10	1.10
	-13°F	5132	5029	5004	4984	4939	1.20	1.21	1.21	1.21	1.22
	-4°F	6905	6767	6733	6706	6645	1.41	1.42	1.42	1.42	1.43
	0°F	8398	8230	8189	8156	8082	1.55	1.56	1.56	1.56	1.57
	5°F	10264	10058	10008	9968	9878	1.72	1.73	1.73	1.74	1.75
	14°F	11383	11156	11100	11056	10956	1.72	1.74	1.74	1.74	1.75
	17°F	11757	11522	11464	11418	11315	1.72	1.74	1.74	1.74	1.75
	22°F	12286	12041	11981	11933	11825	1.70	1.71	1.72	1.72	1.73
	27°F	12816	12560	12497	12447	12335	1.68	1.69	1.70	1.70	1.71
	32°F	13346	13079	13014	12962	12845	1.66	1.67	1.67	1.68	1.68
	35°F	13664	13391	13324	13271	13151	1.64	1.66	1.66	1.66	1.67
	37°F	13875	13597	13529	13475	13354	1.59	1.60	1.60	1.61	1.61
	42°F	14402	14114	14043	13987	13861	1.45	1.46	1.46	1.46	1.47
	44.6°F	14613	14321	14249	14192	14064	1.39	1.40	1.40	1.41	1.41
	47°F	14929	14630	14557	14499	14369	1.30	1.31	1.32	1.32	1.32
	52°F	14521	14230	14159	14102	13975	1.16	1.16	1.17	1.17	1.17
	57°F	14112	13830	13761	13706	13582	1.01	1.02	1.02	1.02	1.02
59°F	13949	13670	13601	13547	13425	0.95	0.96	0.96	0.96	0.96	
62°F	13703	13429	13362	13309	13189	0.86	0.87	0.87	0.87	0.87	
64.4°F	13540	13269	13203	13150	13032	0.80	0.81	0.81	0.81	0.81	

9CCHP-HH-SYS-B Expanded Heating @ 353 CFM

CFM	HEATING PERFORMANCE AT INDOOR DRY BULB TEMPERATURE										
	ODDB	TC : Total Heating Capacity(BTU/hr)					PI : Power Input(kW)				
		Indoor Conditions (DB °F)					Indoor Conditions (DB °F)				
		60.8°F	68°F	70°F	71.6°F	75.2°F	60.8°F	68°F	70°F	71.6°F	75.2°F
353	-22°F	4307	4221	4200	4183	4146	1.10	1.11	1.11	1.11	1.12
	-13°F	5640	5528	5500	5478	5429	1.21	1.22	1.22	1.22	1.23
	-4°F	7589	7437	7400	7370	7304	1.42	1.43	1.44	1.44	1.44
	0°F	9230	9045	9000	8964	8883	1.56	1.57	1.58	1.58	1.59
	5°F	11281	11055	11000	10956	10857	1.73	1.75	1.75	1.76	1.76
	14°F	12512	12261	12200	12151	12042	1.74	1.75	1.76	1.76	1.77
	17°F	12922	12663	12600	12550	12437	1.74	1.75	1.76	1.76	1.77
	22°F	13504	13234	13168	13115	12997	1.72	1.73	1.74	1.74	1.75
	27°F	14086	13805	13736	13681	13558	1.70	1.71	1.71	1.72	1.72
	32°F	14669	14375	14304	14246	14118	1.67	1.69	1.69	1.69	1.70
	35°F	15018	14718	14644	14586	14454	1.66	1.67	1.68	1.68	1.69
	37°F	15250	14945	14870	14811	14677	1.60	1.62	1.62	1.62	1.63
	42°F	15829	15513	15435	15373	15235	1.46	1.47	1.47	1.48	1.48
	44.6°F	16061	15740	15661	15598	15458	1.40	1.41	1.42	1.42	1.43
	47°F	16409	16080	16000	15936	15793	1.32	1.33	1.33	1.33	1.34
	52°F	15960	15640	15562	15500	15360	1.17	1.18	1.18	1.18	1.19
	57°F	15510	15200	15124	15064	14928	1.02	1.03	1.03	1.03	1.03
59°F	15331	15024	14949	14889	14755	0.96	0.97	0.97	0.97	0.97	
62°F	15061	14760	14686	14628	14496	0.87	0.88	0.88	0.88	0.88	
64.4°F	14882	14584	14511	14453	14323	0.81	0.82	0.82	0.82	0.82	

12CCHP-HH-SYS-B Expanded Cooling @ 194 CFM

OD DB	ID WB (°F)	60.8 °F					64.4°F					67.0°F					71.6°F				
		ID DB (°F)	73.4 °F	77.0 °F	80.0 °F	80.6 °F	84.2 °F	73.4 °F	77.0 °F	80.0 °F	80.6 °F	84.2 °F	73.4 °F	77.0 °F	80.0 °F	80.6 °F	84.2 °F	73.4 °F	77.0 °F	80.0 °F	80.6 °F
50°F	TC	8934	8946	8955	8956	8968	9472	9483	9493	9495	9506	10038	10051	10062	10064	10075	10643	10655	10666	10668	10681
	S/T	0.36	0.43	0.48	0.48	0.55	0.38	0.45	0.51	0.51	0.58	0.41	0.48	0.54	0.54	0.62	0.43	0.51	0.58	0.58	0.66
	PI	0.42	0.42	0.42	0.42	0.42	0.44	0.44	0.44	0.44	0.44	0.47	0.47	0.47	0.47	0.47	0.50	0.50	0.50	0.50	0.50
59°F	TC	9218	9231	9241	9241	9254	9774	9785	9795	9797	9809	10358	10371	10383	10385	10396	10982	10994	11006	11008	11021
	S/T	0.36	0.43	0.49	0.49	0.55	0.39	0.45	0.51	0.51	0.59	0.41	0.48	0.55	0.55	0.62	0.43	0.51	0.58	0.58	0.66
	PI	0.42	0.42	0.42	0.42	0.42	0.45	0.45	0.45	0.45	0.45	0.48	0.48	0.48	0.48	0.48	0.50	0.50	0.51	0.51	0.51
68°F	TC	9503	9516	9526	9526	9539	10076	10088	10097	10099	10111	10678	10691	10703	10705	10717	11321	11333	11346	11347	11361
	S/T	0.37	0.44	0.50	0.50	0.57	0.40	0.47	0.53	0.53	0.60	0.42	0.49	0.56	0.56	0.64	0.45	0.52	0.59	0.59	0.68
	PI	0.43	0.43	0.43	0.43	0.43	0.46	0.46	0.46	0.46	0.46	0.48	0.48	0.48	0.48	0.48	0.51	0.51	0.51	0.51	0.51
77°F	TC	9787	9801	9811	9812	9825	10377	10390	10400	10402	10414	10997	11012	11024	11026	11038	11660	11673	11685	11687	11702
	S/T	0.38	0.44	0.51	0.51	0.58	0.40	0.47	0.54	0.54	0.61	0.43	0.50	0.57	0.57	0.65	0.45	0.53	0.60	0.60	0.69
	PI	0.44	0.44	0.44	0.44	0.44	0.46	0.46	0.46	0.46	0.46	0.49	0.49	0.49	0.49	0.49	0.52	0.52	0.52	0.52	0.52
80°F	TC	9867	9881	9891	9892	9905	10462	10474	10485	10487	10499	11087	11101	11114	11116	11128	11755	11768	11781	11783	11797
	S/T	0.38	0.45	0.51	0.51	0.58	0.41	0.48	0.54	0.54	0.62	0.43	0.51	0.57	0.57	0.66	0.46	0.54	0.61	0.61	0.69
	PI	0.49	0.49	0.49	0.49	0.49	0.52	0.52	0.52	0.52	0.52	0.55	0.55	0.55	0.55	0.55	0.58	0.58	0.58	0.58	0.58
86°F	TC	9833	9846	9857	9857	9870	10425	10438	10448	10450	10462	11048	11063	11075	11077	11089	11714	11727	11739	11741	11756
	S/T	0.39	0.46	0.52	0.52	0.59	0.41	0.48	0.55	0.55	0.63	0.44	0.51	0.58	0.58	0.66	0.46	0.54	0.62	0.62	0.70
	PI	0.59	0.59	0.59	0.59	0.59	0.62	0.62	0.63	0.63	0.63	0.66	0.66	0.66	0.66	0.66	0.70	0.70	0.70	0.70	0.70
95°F	TC	9755	9768	9779	9779	9792	10343	10355	10365	10367	10380	10961	10975	10987	10989	11002	11621	11634	11646	11648	11663
	S/T	0.39	0.46	0.52	0.52	0.59	0.41	0.48	0.55	0.55	0.63	0.44	0.51	0.58	0.58	0.66	0.46	0.54	0.62	0.62	0.70
	PI	0.81	0.82	0.82	0.82	0.82	0.86	0.86	0.86	0.87	0.87	0.91	0.92	0.92	0.92	0.92	0.97	0.97	0.97	0.97	0.97
104°F	TC	8382	8393	8402	8403	8414	8887	8898	8907	8908	8919	9418	9431	9441	9443	9453	9986	9997	10007	10009	10022
	S/T	0.40	0.47	0.53	0.53	0.61	0.42	0.50	0.56	0.56	0.64	0.45	0.53	0.60	0.60	0.68	0.47	0.56	0.63	0.63	0.72
	PI	0.79	0.79	0.79	0.79	0.79	0.84	0.84	0.84	0.84	0.84	0.89	0.89	0.89	0.89	0.89	0.94	0.94	0.94	0.94	0.94
110°F	TC	7558	7569	7577	7577	7587	8014	8023	8031	8033	8043	8493	8504	8513	8515	8524	9004	9014	9024	9025	9037
	S/T	0.41	0.48	0.55	0.55	0.63	0.44	0.51	0.58	0.58	0.67	0.46	0.54	0.62	0.62	0.71	0.49	0.58	0.66	0.66	0.75
	PI	0.77	0.77	0.77	0.77	0.78	0.82	0.82	0.82	0.82	0.82	0.87	0.87	0.87	0.87	0.87	0.92	0.92	0.92	0.92	0.92
115°F	TC	6135	6143	6150	6150	6158	6505	6512	6519	6520	6528	6893	6902	6910	6911	6919	7308	7316	7324	7325	7335
	S/T	0.42	0.49	0.56	0.56	0.63	0.44	0.52	0.59	0.59	0.67	0.47	0.55	0.63	0.63	0.71	0.50	0.58	0.66	0.66	0.76
	PI	0.63	0.63	0.63	0.63	0.63	0.67	0.67	0.67	0.67	0.67	0.71	0.71	0.71	0.71	0.71	0.75	0.75	0.75	0.75	0.75
122°F	TC	4237	4242	4247	4247	4253	4492	4497	4502	4503	4508	4760	4766	4772	4773	4778	5047	5053	5058	5059	5065
	S/T	0.43	0.50	0.57	0.57	0.65	0.45	0.53	0.60	0.60	0.69	0.48	0.56	0.64	0.64	0.73	0.51	0.60	0.68	0.68	0.77
	PI	0.44	0.44	0.44	0.44	0.44	0.46	0.46	0.46	0.46	0.46	0.49	0.49	0.49	0.49	0.49	0.52	0.52	0.52	0.52	0.52

12CCHP-HH-SYS-B Expanded Cooling @ 306 CFM

OD DB	ID WB (°F)	60.8 °F					64.4°F					67.0°F					71.6°F				
		ID DB (°F)	73.4 °F	77.0 °F	80.0 °F	80.6 °F	84.2 °F	73.4 °F	77.0 °F	80.0 °F	80.6 °F	84.2 °F	73.4 °F	77.0 °F	80.0 °F	80.6 °F	84.2 °F	73.4 °F	77.0 °F	80.0 °F	80.6 °F
50°F	TC	9933	9946	9957	9957	9971	10531	10544	10554	10556	10569	11160	11175	11187	11189	11202	11833	11846	11859	11861	11875
	S/T	0.40	0.47	0.54	0.54	0.61	0.43	0.50	0.57	0.57	0.65	0.45	0.53	0.60	0.60	0.69	0.48	0.56	0.64	0.64	0.73
	PI	0.46	0.46	0.46	0.46	0.46	0.49	0.49	0.49	0.49	0.49	0.52	0.52	0.52	0.52	0.52	0.55	0.55	0.55	0.55	0.55
59°F	TC	10249	10263	10274	10274	10288	10867	10880	10890	10892	10905	11516	11531	11544	11546	11559	12210	12223	12236	12238	12253
	S/T	0.40	0.48	0.54	0.54	0.62	0.43	0.50	0.57	0.57	0.65	0.46	0.53	0.61	0.61	0.69	0.48	0.57	0.64	0.64	0.73
	PI	0.47	0.47	0.47	0.47	0.47	0.50	0.50	0.50	0.50	0.50	0.53	0.53	0.53	0.53	0.53	0.56	0.56	0.56	0.56	0.56
68°F	TC	10565	10580	10591	10591	10606	11202	11215	11226	11229	11242	11871	11887	11900	11902	11916	12587	12600	12614	12616	12632
	S/T	0.42	0.49	0.55	0.55	0.63	0.44	0.52	0.59	0.59	0.67	0.47	0.55	0.62	0.62	0.71	0.50	0.58	0.66	0.66	0.75
	PI	0.48	0.48	0.48	0.48	0.48	0.51	0.51	0.51	0.51	0.51	0.54	0.54	0.54	0.54	0.54	0.57	0.57	0.57	0.57	0.57
77°F	TC	10882	10896	10908	10909	10923	11538	11551	11563	11565	11579	12227	12243	12256	12259	12272	12964	12978	12992	12994	13010
	S/T	0.42	0.49	0.56	0.56	0.64	0.45	0.52	0.60	0.60	0.68	0.47	0.56	0.63	0.63	0.72	0.50	0.59	0.67	0.67	0.76
	PI	0.49	0.49	0.49	0.49	0.49	0.52	0.52	0.52	0.52	0.52	0.55	0.55	0.55	0.55	0.55	0.58	0.58	0.58	0.58	0.58
80°F	TC	10971	10985	10997	10998	11013	11632	11646	11657	11659	11673	12327	12343	12356	12359	12373	13069	13084	13098	13100	13116
	S/T	0.43	0.50	0.57	0.57	0.65	0.45	0.53	0.60	0.60	0.69	0.48	0.56	0.64	0.64	0.73	0.51	0.60	0.68	0.68	0.77
	PI	0.54	0.54	0.54	0.54	0.54	0.58	0.58	0.58	0.58	0.58	0.61	0.61	0.61	0.61	0.61	0.65	0.65	0.65	0.65	0.65
86°F	TC	10932	10947	10959	10959	10974	11591	11605	11616	11618	11632	12283	12299	12313	12315	12329	13024	13038	13052	13054	13070
	S/T	0.43	0.51	0.58	0.58	0.66	0.46	0.54	0.61	0.61	0.70	0.49	0.57	0.65	0.65	0.74	0.51	0.60	0.69	0.69	0.78
	PI	0.65	0.65	0.66	0.66	0.66	0.69	0.69	0.69	0.70	0.70	0.73	0.74	0.74	0.74	0.74	0.78	0.78	0.78	0.78	0.78
95°F	TC	10846	10860	10872	10872	10887	11499	11513	11524	11527	11540	12186	12202	12216	12218	12232	12921	12935	12949	12951	12967
	S/T	0.43	0.51	0.58	0.58	0.66	0.46	0.54	0.61	0.61	0.70	0.49	0.57	0.65	0.65	0.74	0.51	0.60	0.69	0.69	0.78
	PI	0.91	0.91	0.91	0.91	0.91	0.96	0.96	0.96	0.96	0.96	1.02	1.02	1.02	1.02	1.02	1.08	1.08	1.08	1.08	1.08
104°F	TC	9319	9332	9342	9342	9355	9881	9893	9902	9904	9916	10471	10485	10497	10499	10510	11102	11114	11126	11128	11142
	S/T	0.44	0.52	0.59	0.59	0.67	0.47	0.55	0.63	0.63	0.71	0.50	0.58	0.66	0.66	0.76	0.53	0.62	0.70	0.70	0.80
	PI	0.88	0.88	0.88	0.88	0.88	0.93	0.93	0.93	0.93	0.93	0.98	0.99	0.99	0.99	0.99	1.04	1.05	1.05	1.05	1.05
110°F	TC	8404	8415	8424	8424	8436	8910	8921	8929	8931	8942	9442	9455	9465	9467	9477	10011	10022	10033	10035	10047
	S/T	0.46	0.54	0.61	0.61	0.70	0.49	0.57	0.65	0.65	0.74	0.52	0.61	0.69	0.69	0.78	0.55	0.64	0.73	0.73	0.83
	PI	0.86	0.86	0.86	0.86	0.86	0.91	0.91	0.91	0.91	0.91	0.97	0.97	0.97	0.97	0.97	1.02	1.02	1.03	1.03	1.03
115°F	TC	6821	6830	6837	6838	6847	7232	7240	7247	7249	7258	7664	7674	7682	7684	7692	8126	8134	8143	8145	8155
	S/T	0.46	0.54	0.62	0.62	0.71	0.49	0.58	0.66	0.66	0.75	0.52	0.61	0.70	0.70	0.79	0.55	0.65	0.74	0.74	0.84
	PI	0.70	0.70	0.70	0.70	0.70	0.74	0.74	0.74	0.74	0.74	0.79	0.79	0.79	0.79	0.79	0.83	0.83	0.83	0.83	0.84
122°F	TC	4710	4717	4722	4722	4728	4994	5000	5005	5006	5012	5292	5299	5305	5306	5312	5611	5617	5624	5624	5631
	S/T	0.48	0.56	0.63	0.63	0.72	0.50	0.59	0.67	0.67	0.77	0.53	0.63	0.71	0.71	0.81	0.57	0.66	0.75	0.75	0.86
	PI	0.48	0.49	0.49	0.49	0.49	0.51	0.51	0.51	0.51	0.52	0.54	0.54	0.55	0.55	0.55	0.58	0.58	0.58	0.58	0.58

12CCHP-HH-SYS-B Expanded Cooling @ 365 CFM

OD DB	ID WB (°F)	60.8 °F					64.4°F					67.0°F					71.6°F				
		ID DB (°F)	73.4 °F	77.0 °F	80.0 °F	80.6 °F	84.2 °F	73.4 °F	77.0 °F	80.0 °F	80.6 °F	84.2 °F	73.4 °F	77.0 °F	80.0 °F	80.6 °F	84.2 °F	73.4 °F	77.0 °F	80.0 °F	80.6 °F
50°F	TC	11043	11058	11070	11070	11085	11709	11723	11734	11737	11750	12408	12424	12438	12441	12454	13156	13170	13185	13187	13203
	S/T	0.45	0.53	0.60	0.60	0.68	0.47	0.56	0.63	0.63	0.72	0.50	0.59	0.67	0.67	0.77	0.53	0.63	0.71	0.71	0.81
	PI	0.51	0.52	0.52	0.52	0.52	0.55	0.55	0.55	0.55	0.55	0.58	0.58	0.58	0.58	0.58	0.61	0.61	0.61	0.61	0.61
59°F	TC	11395	11410	11423	11423	11438	12082	12096	12108	12110	12125	12803	12820	12834	12837	12851	13575	13590	13604	13607	13624
	S/T	0.45	0.53	0.60	0.60	0.68	0.48	0.56	0.64	0.64	0.73	0.51	0.59	0.67	0.67	0.77	0.54	0.63	0.72	0.72	0.82
	PI	0.52	0.52	0.52	0.52	0.52	0.55	0.56	0.56	0.56	0.56	0.59	0.59	0.59	0.59	0.59	0.62	0.62	0.62	0.62	0.63
68°F	TC	11747	11762	11775	11776	11792	12455	12469	12482	12484	12499	13199	13216	13231	13233	13248	13994	14009	14024	14027	14044
	S/T	0.46	0.54	0.62	0.62	0.70	0.49	0.57	0.65	0.65	0.74	0.52	0.61	0.69	0.69	0.79	0.55	0.65	0.73	0.73	0.84
	PI	0.53	0.53	0.53	0.53	0.53	0.56	0.56	0.56	0.56	0.57	0.60	0.60	0.60	0.60	0.60	0.63	0.63	0.63	0.63	0.64
77°F	TC	12098	12115	12128	12128	12145	12827	12843	12855	12858	12873	13594	13612	13627	13629	13644	14413	14429	14444	14447	14465
	S/T	0.47	0.55	0.62	0.62	0.71	0.50	0.58	0.66	0.66	0.75	0.53	0.62	0.70	0.70	0.80	0.56	0.65	0.74	0.74	0.85
	PI	0.54	0.54	0.54	0.54	0.54	0.57	0.57	0.57	0.57	0.57	0.61	0.61	0.61	0.61	0.61	0.64	0.64	0.64	0.64	0.65
80°F	TC	12197	12214	12227	12227	12244	12932	12948	12960	12963	12978	13705	13723	13738	13741	13756	14531	14546	14562	14565	14583
	S/T	0.47	0.56	0.63	0.63	0.72	0.50	0.59	0.67	0.67	0.76	0.53	0.63	0.71	0.71	0.81	0.56	0.66	0.75	0.75	0.86
	PI	0.60	0.60	0.60	0.60	0.61	0.64	0.64	0.64	0.64	0.64	0.68	0.68	0.68	0.68	0.68	0.72	0.72	0.72	0.72	0.72
86°F	TC	12154	12171	12184	12184	12201	12887	12902	12915	12918	12933	13657	13675	13690	13692	13708	14480	14495	14511	14514	14532
	S/T	0.48	0.56	0.64	0.64	0.73	0.51	0.60	0.68	0.68	0.77	0.54	0.63	0.72	0.72	0.82	0.57	0.67	0.76	0.76	0.87
	PI	0.73	0.73	0.73	0.73	0.73	0.77	0.77	0.77	0.77	0.77	0.82	0.82	0.82	0.82	0.82	0.87	0.87	0.87	0.87	0.87
95°F	TC	12058	12074	12087	12088	12104	12785	12800	12813	12815	12830	13549	13566	13581	13584	13599	14365	14381	14396	14399	14417
	S/T	0.48	0.56	0.64	0.64	0.73	0.51	0.60	0.68	0.68	0.77	0.54	0.63	0.72	0.72	0.82	0.57	0.67	0.76	0.76	0.87
	PI	1.01	1.01	1.01	1.01	1.01	1.07	1.07	1.07	1.07	1.07	1.13	1.13	1.13	1.13	1.13	1.20	1.20	1.20	1.20	1.20
104°F	TC	10361	10375	10386	10387	10401	10986	10999	11010	11012	11025	11642	11657	11670	11672	11685	12344	12357	12370	12372	12388
	S/T	0.49	0.58	0.66	0.66	0.75	0.52	0.61	0.70	0.70	0.79	0.55	0.65	0.74	0.74	0.84	0.59	0.69	0.78	0.78	0.89
	PI	0.97	0.98	0.98	0.98	0.98	1.03	1.03	1.04	1.04	1.04	1.09	1.10	1.10	1.10	1.10	1.16	1.16	1.16	1.16	1.17
110°F	TC	9343	9356	9366	9366	9379	9906	9918	9928	9930	9941	10498	10512	10523	10525	10537	11131	11143	11155	11157	11170
	S/T	0.51	0.60	0.68	0.68	0.78	0.54	0.63	0.72	0.72	0.82	0.57	0.67	0.76	0.76	0.87	0.61	0.71	0.81	0.81	0.92
	PI	0.96	0.96	0.96	0.96	0.96	1.01	1.01	1.02	1.02	1.02	1.07	1.07	1.08	1.08	1.08	1.14	1.14	1.14	1.14	1.14
115°F	TC	7583	7594	7602	7602	7612	8040	8050	8058	8059	8069	8521	8532	8541	8543	8552	9034	9044	9054	9055	9066
	S/T	0.52	0.61	0.69	0.69	0.78	0.55	0.64	0.73	0.73	0.83	0.58	0.68	0.77	0.77	0.88	0.61	0.72	0.82	0.82	0.93
	PI	0.78	0.78	0.78	0.78	0.78	0.82	0.82	0.83	0.83	0.83	0.87	0.87	0.87	0.88	0.88	0.93	0.93	0.93	0.93	0.93
122°F	TC	5237	5244	5250	5250	5257	5552	5559	5565	5566	5572	5884	5892	5898	5899	5906	6239	6245	6252	6253	6261
	S/T	0.53	0.62	0.70	0.70	0.80	0.56	0.66	0.75	0.75	0.85	0.59	0.70	0.79	0.79	0.90	0.63	0.74	0.84	0.84	0.96
	PI	0.54	0.54	0.54	0.54	0.54	0.57	0.57	0.57	0.57	0.57	0.61	0.61	0.61	0.61	0.61	0.64	0.64	0.64	0.64	0.64

12CCHP-HH-SYS-B Expanded Cooling @ 418 CFM

OD DB	ID WB (°F)	60.8 °F					64.4°F					67.0°F					71.6°F				
		ID DB (°F)	73.4 °F	77.0 °F	80.0 °F	80.6 °F	84.2 °F	73.4 °F	77.0 °F	80.0 °F	80.6 °F	84.2 °F	73.4 °F	77.0 °F	80.0 °F	80.6 °F	84.2 °F	73.4 °F	77.0 °F	80.0 °F	80.6 °F
50°F	TC	12278	12294	12308	12308	12325	13018	13033	13046	13049	13064	13796	13814	13829	13832	13847	14627	14643	14659	14661	14679
	S/T	0.50	0.58	0.66	0.66	0.76	0.53	0.62	0.70	0.70	0.80	0.56	0.66	0.75	0.75	0.85	0.59	0.70	0.79	0.79	0.90
	PI	0.57	0.57	0.57	0.57	0.57	0.61	0.61	0.61	0.61	0.61	0.64	0.64	0.64	0.64	0.64	0.68	0.68	0.68	0.68	0.68
59°F	TC	12669	12686	12700	12700	12717	13432	13448	13462	13464	13480	14235	14253	14269	14272	14288	15093	15109	15126	15128	15147
	S/T	0.50	0.59	0.67	0.67	0.76	0.53	0.62	0.71	0.71	0.81	0.56	0.66	0.75	0.75	0.86	0.60	0.70	0.80	0.80	0.91
	PI	0.58	0.58	0.58	0.58	0.58	0.62	0.62	0.62	0.62	0.62	0.65	0.65	0.65	0.66	0.66	0.69	0.69	0.69	0.69	0.70
68°F	TC	13060	13078	13092	13092	13110	13847	13863	13877	13880	13896	14674	14693	14710	14713	14729	15559	15575	15592	15595	15614
	S/T	0.51	0.60	0.69	0.69	0.78	0.54	0.64	0.73	0.73	0.83	0.58	0.68	0.77	0.77	0.88	0.61	0.72	0.82	0.82	0.93
	PI	0.59	0.59	0.59	0.59	0.59	0.63	0.63	0.63	0.63	0.63	0.66	0.66	0.67	0.67	0.67	0.70	0.70	0.71	0.71	0.71
77°F	TC	13451	13469	13484	13484	13502	14262	14279	14293	14296	14312	15114	15133	15150	15153	15170	16024	16042	16059	16062	16082
	S/T	0.52	0.61	0.69	0.69	0.79	0.55	0.65	0.74	0.74	0.84	0.59	0.69	0.78	0.78	0.89	0.62	0.73	0.83	0.83	0.94
	PI	0.60	0.60	0.60	0.60	0.60	0.64	0.64	0.64	0.64	0.64	0.67	0.68	0.68	0.68	0.68	0.72	0.72	0.72	0.72	0.72
80°F	TC	13561	13579	13594	13594	13613	14378	14395	14409	14412	14429	15237	15257	15274	15277	15294	16155	16173	16190	16193	16213
	S/T	0.53	0.62	0.70	0.70	0.80	0.56	0.66	0.75	0.75	0.85	0.59	0.70	0.79	0.79	0.90	0.63	0.74	0.84	0.84	0.95
	PI	0.67	0.67	0.67	0.67	0.67	0.71	0.71	0.71	0.71	0.71	0.75	0.75	0.76	0.76	0.76	0.80	0.80	0.80	0.80	0.80
86°F	TC	13513	13532	13546	13547	13565	14328	14345	14359	14362	14379	15184	15204	15220	15223	15240	16099	16116	16134	16136	16156
	S/T	0.53	0.63	0.71	0.71	0.81	0.57	0.66	0.75	0.75	0.86	0.60	0.70	0.80	0.80	0.91	0.64	0.75	0.85	0.85	0.97
	PI	0.81	0.81	0.81	0.81	0.81	0.86	0.86	0.86	0.86	0.86	0.91	0.91	0.91	0.91	0.91	0.96	0.96	0.97	0.97	0.97
95°F	TC	13406	13424	13439	13440	13458	14214	14231	14245	14248	14265	15064	15083	15100	15103	15120	15971	15989	16006	16008	16028
	S/T	0.53	0.63	0.71	0.71	0.81	0.57	0.66	0.75	0.75	0.86	0.60	0.70	0.80	0.80	0.91	0.64	0.75	0.85	0.85	0.97
	PI	1.12	1.12	1.12	1.12	1.12	1.19	1.19	1.19	1.19	1.19	1.26	1.26	1.26	1.26	1.26	1.33	1.33	1.34	1.34	1.34
104°F	TC	11520	11535	11548	11548	11564	12214	12228	12241	12243	12258	12944	12961	12975	12977	12992	13724	13739	13754	13756	13773
	S/T	0.55	0.64	0.73	0.73	0.83	0.58	0.68	0.77	0.77	0.88	0.62	0.72	0.82	0.82	0.93	0.65	0.76	0.87	0.87	0.99
	PI	1.08	1.08	1.09	1.09	1.09	1.15	1.15	1.15	1.15	1.15	1.22	1.22	1.22	1.22	1.22	1.29	1.29	1.29	1.29	1.30
110°F	TC	10388	10402	10413	10413	10427	11014	11027	11038	11040	11053	11672	11687	11700	11702	11715	12375	12389	12402	12404	12419
	S/T	0.57	0.67	0.76	0.76	0.86	0.60	0.71	0.80	0.80	0.91	0.64	0.75	0.85	0.85	0.97	0.68	0.79	0.90	0.90	1.00
	PI	1.06	1.06	1.06	1.06	1.07	1.13	1.13	1.13	1.13	1.13	1.19	1.20	1.20	1.20	1.20	1.27	1.27	1.27	1.27	1.27
115°F	TC	8431	8443	8452	8452	8463	8939	8950	8959	8960	8971	9473	9486	9496	9498	9509	10044	10055	10066	10068	10080
	S/T	0.57	0.67	0.77	0.77	0.87	0.61	0.71	0.81	0.81	0.92	0.65	0.76	0.86	0.86	0.98	0.68	0.80	0.91	0.91	1.00
	PI	0.86	0.86	0.87	0.87	0.87	0.92	0.92	0.92	0.92	0.92	0.97	0.97	0.97	0.97	0.97	1.03	1.03	1.03	1.03	1.03
122°F	TC	5822	5830	5836	5837	5845	6173	6181	6187	6188	6195	6542	6551	6558	6559	6566	6936	6944	6951	6952	6961
	S/T	0.59	0.69	0.78	0.78	0.89	0.62	0.73	0.83	0.83	0.95	0.66	0.77	0.88	0.88	1.00	0.70	0.82	0.93	0.93	1.00
	PI	0.60	0.60	0.60	0.60	0.60	0.63	0.64	0.64	0.64	0.64	0.67	0.67	0.67	0.67	0.68	0.71	0.71	0.71	0.71	0.72

12CCHP-HH-SYS-B Expanded Heating @ 194 CFM

CFM	HEATING PERFORMANCE AT INDOOR DRY BULB TEMPERATURE										
	OD DB (°F)	TC : Total Heating Capacity(BTU/hr)					PI : Power Input(kW)				
		Indoor Conditions (DB °F)					Indoor Conditions (DB °F)				
		60.8°F	68°F	70°F	71.6°F	75.2°F	60.8°F	68°F	70°F	71.6°F	75.2°F
194	-22°F	3085	3024	3008	2875	2849	1.16	1.17	1.18	1.18	1.18
	-13°F	4179	4095	4075	3744	3710	1.21	1.22	1.23	1.23	1.23
	-4°F	5597	5485	5457	5014	4969	1.27	1.28	1.28	1.29	1.29
	0°F	6923	6785	6751	6203	6147	1.43	1.44	1.44	1.44	1.45
	5°F	8581	8410	8368	7688	7619	1.62	1.63	1.64	1.64	1.65
	14°F	9365	9178	9132	8390	8315	1.68	1.69	1.69	1.70	1.70
	17°F	9626	9434	9386	8624	8547	1.70	1.71	1.71	1.72	1.72
	22°F	10113	9911	9861	9060	8979	1.67	1.69	1.69	1.69	1.70
	27°F	10600	10388	10336	9496	9411	1.65	1.66	1.67	1.67	1.68
	32°F	11086	10865	10810	9932	9843	1.63	1.64	1.64	1.65	1.65
	35°F	11378	11151	11095	10194	10102	1.61	1.63	1.63	1.63	1.64
	37°F	11509	11279	11223	10311	10218	1.56	1.57	1.57	1.58	1.58
	42°F	11836	11600	11542	10604	10509	1.42	1.43	1.43	1.43	1.44
	44.6°F	11967	11728	11669	10721	10625	1.36	1.37	1.38	1.38	1.38
	47°F	12163	11920	11860	10897	10799	1.28	1.29	1.29	1.29	1.30
	52°F	11968	11729	11670	10723	10626	1.13	1.14	1.14	1.14	1.15
	57°F	11773	11538	11480	10548	10453	0.98	0.99	0.99	0.99	1.00
59°F	11696	11462	11404	10478	10384	0.92	0.93	0.93	0.93	0.94	
62°F	11579	11347	11290	10373	10280	0.83	0.84	0.84	0.84	0.85	
64.4°F	11501	11271	11214	10304	10211	0.77	0.78	0.78	0.78	0.79	

12CCHP-HH-SYS-B Expanded Heating @ 306 CFM

CFM	HEATING PERFORMANCE AT INDOOR DRY BULB TEMPERATURE										
	OD DB (°F)	TC : Total Heating Capacity(BTU/hr)					PI : Power Input(kW)				
		Indoor Conditions (DB °F)					Indoor Conditions (DB °F)				
		60.8°F	68°F	70°F	71.6°F	75.2°F	60.8°F	68°F	70°F	71.6°F	75.2°F
306	-22°F	3498	3428	3411	3328	3298	1.18	1.19	1.19	1.19	1.19
	-13°F	4646	4553	4530	4334	4295	1.23	1.23	1.24	1.24	1.24
	-4°F	6222	6098	6067	5804	5752	1.28	1.30	1.30	1.30	1.31
	0°F	7697	7543	7506	7180	7115	1.44	1.45	1.46	1.46	1.46
	5°F	9541	9350	9303	8900	8820	1.64	1.65	1.65	1.66	1.66
	14°F	10412	10204	10153	9712	9625	1.69	1.71	1.71	1.72	1.72
	17°F	10702	10488	10436	9983	9893	1.71	1.73	1.73	1.74	1.74
	22°F	11244	11019	10964	10488	10394	1.69	1.70	1.71	1.71	1.72
	27°F	11785	11549	11491	10993	10894	1.67	1.68	1.68	1.69	1.69
	32°F	12326	12079	12019	11498	11394	1.64	1.66	1.66	1.66	1.67
	35°F	12651	12398	12336	11800	11694	1.63	1.64	1.65	1.65	1.66
	37°F	12796	12540	12477	11936	11829	1.57	1.59	1.59	1.59	1.60
	42°F	13160	12896	12832	12275	12165	1.43	1.44	1.45	1.45	1.46
	44.6°F	13305	13039	12974	12411	12299	1.38	1.39	1.39	1.39	1.40
	47°F	13523	13253	13186	12614	12501	1.29	1.30	1.30	1.31	1.31
	52°F	13307	13040	12975	12412	12301	1.14	1.15	1.15	1.15	1.16
	57°F	13090	12828	12764	12210	12100	0.99	1.00	1.00	1.00	1.01
59°F	13003	12743	12679	12129	12020	0.93	0.94	0.94	0.94	0.95	
62°F	12873	12616	12553	12008	11900	0.84	0.85	0.85	0.85	0.85	
64.4°F	12786	12531	12468	11927	11820	0.78	0.79	0.79	0.79	0.79	

12CCHPHP-HH-SYS-B Expanded Heating @ 365 CFM

CFM	HEATING PERFORMANCE AT INDOOR DRY BULB TEMPERATURE										
	OD DB (°F)	TC : Total Heating Capacity(BTU/hr)					PI : Power Input(kW)				
		Indoor Conditions (DB °F)					Indoor Conditions (DB °F)				
		60.8°F	68°F	70°F	71.6°F	75.2°F	60.8°F	68°F	70°F	71.6°F	75.2°F
365	-22°F	3966	3887	3868	3852	3817	1.19	1.20	1.20	1.20	1.21
	-13°F	5165	5062	5037	5017	4972	1.24	1.25	1.25	1.25	1.26
	-4°F	6918	6780	6746	6719	6658	1.30	1.31	1.31	1.31	1.32
	0°F	8558	8387	8345	8311	8237	1.46	1.47	1.47	1.47	1.48
	5°F	10608	10395	10344	10302	10209	1.65	1.67	1.67	1.67	1.68
	14°F	11576	11345	11288	11243	11142	1.71	1.73	1.73	1.73	1.74
	17°F	11899	11661	11603	11556	11452	1.73	1.75	1.75	1.75	1.76
	22°F	12501	12251	12189	12141	12031	1.71	1.72	1.73	1.73	1.74
	27°F	13102	12840	12776	12725	12610	1.68	1.70	1.70	1.70	1.71
	32°F	13704	13430	13363	13309	13190	1.66	1.67	1.68	1.68	1.69
	35°F	14065	13784	13715	13660	13537	1.65	1.66	1.66	1.67	1.67
	37°F	14227	13942	13872	13817	13693	1.59	1.60	1.61	1.61	1.62
	42°F	14631	14338	14267	14210	14082	1.45	1.46	1.46	1.46	1.47
	44.6°F	14793	14497	14424	14367	14237	1.39	1.40	1.40	1.41	1.41
	47°F	15035	14734	14661	14602	14471	1.30	1.31	1.32	1.32	1.32
	52°F	14794	14498	14426	14368	14239	1.15	1.16	1.16	1.17	1.17
	57°F	14553	14262	14191	14134	14007	1.00	1.01	1.01	1.01	1.02
59°F	14457	14168	14097	14041	13914	0.94	0.95	0.95	0.95	0.96	
62°F	14312	14026	13956	13900	13775	0.85	0.86	0.86	0.86	0.86	
64.4°F	14216	13932	13862	13807	13682	0.79	0.80	0.80	0.80	0.80	

12CCHP-HH-SYS-B Expanded Heating @ 418 CFM

CFM	HEATING PERFORMANCE AT INDOOR DRY BULB TEMPERATURE										
	OD DB (°F)	TC : Total Heating Capacity(BTU/hr)					PI : Power Input(kW)				
		Indoor Conditions (DB °F)					Indoor Conditions (DB °F)				
		60.8°F	68°F	70°F	71.6°F	75.2°F	60.8°F	68°F	70°F	71.6°F	75.2°F
418	-22°F	4410	4322	4300	4283	4244	1.20	1.21	1.21	1.21	1.22
	-13°F	5743	5628	5600	5578	5527	1.25	1.26	1.26	1.27	1.27
	-4°F	7692	7538	7500	7470	7403	1.31	1.32	1.32	1.33	1.33
	0°F	9515	9324	9278	9241	9158	1.47	1.48	1.48	1.49	1.49
	5°F	11794	11558	11500	11454	11351	1.67	1.68	1.69	1.69	1.70
	14°F	12870	12613	12550	12500	12387	1.73	1.74	1.75	1.75	1.76
	17°F	13229	12965	12900	12848	12733	1.75	1.76	1.77	1.77	1.78
	22°F	13898	13620	13552	13498	13377	1.73	1.74	1.74	1.75	1.75
	27°F	14567	14276	14205	14148	14020	1.70	1.72	1.72	1.72	1.73
	32°F	15236	14932	14857	14797	14664	1.68	1.69	1.69	1.70	1.70
	35°F	15638	15325	15248	15187	15051	1.66	1.68	1.68	1.68	1.69
	37°F	15817	15501	15424	15362	15224	1.61	1.62	1.62	1.62	1.63
	42°F	16267	15941	15862	15798	15656	1.46	1.47	1.48	1.48	1.48
	44.6°F	16447	16118	16037	15973	15829	1.40	1.41	1.42	1.42	1.43
	47°F	16716	16382	16300	16235	16089	1.32	1.33	1.33	1.33	1.34
	52°F	16448	16119	16039	15975	15831	1.16	1.17	1.18	1.18	1.18
	57°F	16181	15857	15778	15715	15573	1.01	1.02	1.02	1.02	1.03
59°F	16073	15752	15673	15610	15470	0.95	0.96	0.96	0.96	0.97	
62°F	15913	15594	15516	15454	15315	0.86	0.87	0.87	0.87	0.87	
64.4°F	15806	15489	15412	15350	15212	0.80	0.80	0.81	0.81	0.81	

18CCHP-HH-SYS-B Expanded Cooling @ 194 CFM

OD DB	ID WB (°F)	60.8 °F					64.4°F					67.0°F					71.6°F				
		ID DB (°F)	73.4 °F	77.0 °F	80.0 °F	80.6 °F	84.2 °F	73.4 °F	77.0 °F	80.0 °F	80.6 °F	84.2 °F	73.4 °F	77.0 °F	80.0 °F	80.6 °F	84.2 °F	73.4 °F	77.0 °F	80.0 °F	80.6 °F
50°F	TC	12150	12166	12179	12179	12196	12882	12897	12910	12912	12928	13651	13669	13684	13687	13702	14474	14490	14505	14508	14526
	S/T	0.36	0.42	0.48	0.48	0.54	0.38	0.44	0.50	0.50	0.57	0.40	0.47	0.53	0.53	0.61	0.42	0.50	0.57	0.57	0.65
	PI	0.57	0.57	0.57	0.57	0.57	0.61	0.61	0.61	0.61	0.61	0.64	0.64	0.64	0.64	0.64	0.68	0.68	0.68	0.68	0.68
59°F	TC	12507	12524	12537	12538	12555	13261	13276	13289	13292	13308	14053	14071	14087	14089	14105	14900	14916	14932	14934	14953
	S/T	0.36	0.42	0.48	0.48	0.54	0.38	0.45	0.51	0.51	0.58	0.40	0.47	0.54	0.54	0.61	0.43	0.50	0.57	0.57	0.65
	PI	0.61	0.61	0.62	0.62	0.62	0.65	0.65	0.65	0.65	0.65	0.69	0.69	0.69	0.69	0.69	0.73	0.73	0.73	0.73	0.73
68°F	TC	12864	12882	12895	12896	12913	13640	13656	13669	13672	13688	14454	14473	14489	14492	14508	15325	15342	15359	15361	15380
	S/T	0.37	0.43	0.49	0.49	0.56	0.39	0.46	0.52	0.52	0.59	0.41	0.48	0.55	0.55	0.63	0.44	0.51	0.58	0.58	0.67
	PI	0.66	0.66	0.66	0.66	0.66	0.70	0.70	0.70	0.70	0.70	0.74	0.74	0.74	0.74	0.74	0.78	0.78	0.78	0.78	0.78
77°F	TC	13222	13239	13254	13254	13272	14018	14035	14049	14052	14068	14856	14875	14892	14895	14911	15751	15768	15785	15788	15807
	S/T	0.37	0.44	0.50	0.50	0.57	0.39	0.46	0.53	0.53	0.60	0.42	0.49	0.56	0.56	0.64	0.44	0.52	0.59	0.59	0.67
	PI	0.70	0.70	0.70	0.70	0.70	0.74	0.74	0.74	0.74	0.74	0.78	0.78	0.79	0.79	0.79	0.83	0.83	0.83	0.83	0.83
80°F	TC	13178	13196	13210	13211	13228	13972	13989	14003	14005	14022	14807	14826	14843	14846	14862	15699	15716	15733	15736	15755
	S/T	0.38	0.44	0.50	0.50	0.57	0.40	0.47	0.53	0.53	0.61	0.42	0.50	0.57	0.57	0.64	0.45	0.53	0.60	0.60	0.68
	PI	0.75	0.76	0.76	0.76	0.76	0.80	0.80	0.80	0.80	0.80	0.85	0.85	0.85	0.85	0.85	0.90	0.90	0.90	0.90	0.90
86°F	TC	12838	12855	12869	12870	12887	13612	13628	13641	13644	13660	14425	14444	14460	14462	14478	15294	15311	15327	15330	15349
	S/T	0.38	0.45	0.51	0.51	0.58	0.41	0.48	0.54	0.54	0.62	0.43	0.50	0.57	0.57	0.65	0.46	0.53	0.61	0.61	0.69
	PI	0.84	0.84	0.85	0.85	0.85	0.89	0.89	0.90	0.90	0.90	0.95	0.95	0.95	0.95	0.95	1.00	1.01	1.01	1.01	1.01
95°F	TC	12072	12089	12102	12102	12119	12800	12815	12828	12830	12846	13565	13582	13597	13600	13615	14382	14398	14413	14415	14433
	S/T	0.38	0.45	0.51	0.51	0.58	0.41	0.48	0.54	0.54	0.62	0.43	0.50	0.57	0.57	0.65	0.46	0.53	0.61	0.61	0.69
	PI	1.04	1.04	1.04	1.04	1.05	1.10	1.11	1.11	1.11	1.11	1.17	1.17	1.17	1.17	1.18	1.24	1.24	1.24	1.24	1.25
104°F	TC	10087	10100	10111	10112	10125	10695	10707	10718	10720	10733	11334	11348	11361	11363	11376	12017	12030	12043	12045	12060
	S/T	0.39	0.46	0.52	0.52	0.60	0.42	0.49	0.55	0.55	0.63	0.44	0.52	0.59	0.59	0.67	0.47	0.55	0.62	0.62	0.71
	PI	1.00	1.00	1.00	1.00	1.00	1.06	1.06	1.06	1.06	1.06	1.12	1.12	1.12	1.12	1.13	1.19	1.19	1.19	1.19	1.19
110°F	TC	8895	8907	8917	8917	8929	9432	9443	9452	9454	9465	9995	10008	10019	10021	10032	10597	10609	10620	10622	10635
	S/T	0.41	0.48	0.54	0.54	0.62	0.43	0.51	0.57	0.57	0.65	0.46	0.54	0.61	0.61	0.69	0.48	0.57	0.64	0.64	0.74
	PI	0.97	0.97	0.97	0.97	0.97	1.03	1.03	1.03	1.03	1.03	1.09	1.09	1.09	1.09	1.10	1.16	1.16	1.16	1.16	1.16
115°F	TC	7773	7784	7792	7792	7803	8242	8251	8260	8261	8271	8734	8745	8755	8757	8767	9260	9270	9281	9282	9294
	S/T	0.41	0.48	0.55	0.55	0.62	0.44	0.51	0.58	0.58	0.66	0.46	0.54	0.62	0.62	0.70	0.49	0.57	0.65	0.65	0.74
	PI	0.92	0.92	0.92	0.92	0.92	0.97	0.97	0.97	0.97	0.98	1.03	1.03	1.03	1.03	1.03	1.09	1.09	1.09	1.09	1.10
122°F	TC	6277	6285	6292	6292	6301	6655	6663	6670	6671	6679	7053	7062	7070	7071	7079	7478	7486	7494	7495	7505
	S/T	0.42	0.49	0.56	0.56	0.64	0.45	0.52	0.59	0.59	0.68	0.47	0.55	0.63	0.63	0.72	0.50	0.59	0.67	0.67	0.76
	PI	0.84	0.85	0.85	0.85	0.85	0.89	0.90	0.90	0.90	0.90	0.95	0.95	0.95	0.95	0.95	1.01	1.01	1.01	1.01	1.01

18CCHP-HH-SYS-B Expanded Cooling @ 318 CFM

OD DB	ID WB (°F)	60.8 °F					64.4°F					67.0°F					71.6°F				
		ID DB (°F)	73.4 °F	77.0 °F	80.0 °F	80.6 °F	84.2 °F	73.4 °F	77.0 °F	80.0 °F	80.6 °F	84.2 °F	73.4 °F	77.0 °F	80.0 °F	80.6 °F	84.2 °F	73.4 °F	77.0 °F	80.0 °F	80.6 °F
50°F	TC	13583	13601	13616	13616	13635	14401	14418	14433	14436	14453	15262	15282	15299	15302	15319	16181	16199	16217	16219	16239
	S/T	0.40	0.47	0.53	0.53	0.61	0.42	0.50	0.56	0.56	0.64	0.45	0.53	0.60	0.60	0.68	0.47	0.56	0.63	0.63	0.72
	PI	0.64	0.64	0.64	0.64	0.64	0.68	0.68	0.68	0.68	0.68	0.72	0.72	0.72	0.72	0.72	0.76	0.76	0.76	0.76	0.76
59°F	TC	13982	14001	14016	14017	14036	14825	14843	14857	14860	14878	15711	15731	15749	15752	15769	16657	16675	16694	16696	16717
	S/T	0.40	0.47	0.53	0.53	0.61	0.42	0.50	0.57	0.57	0.65	0.45	0.53	0.60	0.60	0.68	0.48	0.56	0.64	0.64	0.73
	PI	0.69	0.69	0.69	0.69	0.69	0.73	0.73	0.73	0.73	0.73	0.77	0.77	0.77	0.77	0.77	0.82	0.82	0.82	0.82	0.82
68°F	TC	14382	14401	14417	14417	14437	15249	15267	15282	15285	15303	16160	16181	16199	16202	16220	17133	17152	17171	17173	17195
	S/T	0.41	0.48	0.55	0.55	0.63	0.44	0.51	0.58	0.58	0.66	0.46	0.54	0.62	0.62	0.70	0.49	0.57	0.65	0.65	0.74
	PI	0.73	0.73	0.73	0.73	0.74	0.78	0.78	0.78	0.78	0.78	0.82	0.82	0.83	0.83	0.83	0.87	0.87	0.88	0.88	0.88
77°F	TC	14781	14801	14817	14818	14838	15672	15691	15706	15709	15728	16609	16630	16649	16652	16670	17609	17628	17648	17650	17672
	S/T	0.42	0.49	0.56	0.56	0.63	0.44	0.52	0.59	0.59	0.67	0.47	0.55	0.62	0.62	0.71	0.50	0.58	0.66	0.66	0.75
	PI	0.78	0.78	0.78	0.78	0.78	0.83	0.83	0.83	0.83	0.83	0.88	0.88	0.88	0.88	0.88	0.93	0.93	0.93	0.93	0.93
80°F	TC	14733	14753	14769	14769	14789	15621	15639	15655	15658	15676	16554	16575	16594	16597	16616	17551	17570	17590	17592	17614
	S/T	0.42	0.50	0.56	0.56	0.64	0.45	0.52	0.60	0.60	0.68	0.47	0.56	0.63	0.63	0.72	0.50	0.59	0.67	0.67	0.76
	PI	0.84	0.84	0.85	0.85	0.85	0.89	0.90	0.90	0.90	0.90	0.95	0.95	0.95	0.95	0.95	1.00	1.01	1.01	1.01	1.01
86°F	TC	14352	14372	14387	14388	14407	15217	15235	15251	15254	15272	16127	16148	16166	16169	16187	17098	17117	17135	17138	17159
	S/T	0.43	0.50	0.57	0.57	0.65	0.45	0.53	0.60	0.60	0.69	0.48	0.56	0.64	0.64	0.73	0.51	0.60	0.68	0.68	0.77
	PI	0.94	0.94	0.94	0.94	0.95	1.00	1.00	1.00	1.00	1.00	1.06	1.06	1.06	1.06	1.06	1.12	1.12	1.13	1.13	1.13
95°F	TC	13497	13515	13529	13530	13548	14310	14327	14341	14344	14361	15165	15185	15202	15204	15221	16079	16096	16114	16116	16136
	S/T	0.43	0.50	0.57	0.57	0.65	0.45	0.53	0.60	0.60	0.69	0.48	0.56	0.64	0.64	0.73	0.51	0.60	0.68	0.68	0.77
	PI	1.16	1.17	1.17	1.17	1.17	1.24	1.24	1.24	1.24	1.24	1.31	1.31	1.31	1.31	1.31	1.39	1.39	1.39	1.39	1.39
104°F	TC	11277	11292	11304	11305	11320	11956	11971	11982	11985	11999	12671	12687	12701	12704	12718	13434	13449	13463	13465	13482
	S/T	0.44	0.51	0.58	0.58	0.67	0.46	0.54	0.62	0.62	0.71	0.49	0.58	0.66	0.66	0.75	0.52	0.61	0.70	0.70	0.79
	PI	1.12	1.12	1.12	1.12	1.12	1.18	1.18	1.19	1.19	1.19	1.25	1.26	1.26	1.26	1.26	1.33	1.33	1.33	1.33	1.33
110°F	TC	9945	9958	9969	9969	9983	10544	10557	10567	10569	10582	11174	11189	11201	11203	11216	11847	11860	11873	11875	11890
	S/T	0.45	0.53	0.61	0.61	0.69	0.48	0.56	0.64	0.64	0.73	0.51	0.60	0.68	0.68	0.78	0.54	0.63	0.72	0.72	0.82
	PI	1.09	1.09	1.09	1.09	1.09	1.15	1.15	1.15	1.15	1.16	1.22	1.22	1.22	1.22	1.22	1.29	1.29	1.30	1.30	1.30
115°F	TC	8690	8702	8711	8712	8724	9214	9225	9234	9236	9247	9765	9777	9788	9790	9801	10353	10364	10375	10377	10390
	S/T	0.46	0.54	0.61	0.61	0.70	0.49	0.57	0.65	0.65	0.74	0.52	0.61	0.69	0.69	0.78	0.55	0.64	0.73	0.73	0.83
	PI	1.02	1.03	1.03	1.03	1.03	1.09	1.09	1.09	1.09	1.09	1.15	1.15	1.15	1.15	1.16	1.22	1.22	1.22	1.22	1.23
122°F	TC	7018	7027	7035	7035	7044	7440	7449	7457	7458	7467	7885	7895	7904	7905	7914	8360	8369	8378	8380	8390
	S/T	0.47	0.55	0.63	0.63	0.71	0.50	0.58	0.66	0.66	0.76	0.53	0.62	0.70	0.70	0.80	0.56	0.66	0.75	0.75	0.85
	PI	0.94	0.94	0.95	0.95	0.95	1.00	1.00	1.00	1.00	1.00	1.06	1.06	1.06	1.06	1.06	1.12	1.13	1.13	1.13	1.13

18CCHP-HH-SYS-B Expanded Cooling @ 388 CFM

OD DB	ID WB (°F)	60.8 °F					64.4°F					67.0°F					71.6°F				
		ID DB (°F)	73.4 °F	77.0 °F	80.0 °F	80.6 °F	84.2 °F	73.4 °F	77.0 °F	80.0 °F	80.6 °F	84.2 °F	73.4 °F	77.0 °F	80.0 °F	80.6 °F	84.2 °F	73.4 °F	77.0 °F	80.0 °F	80.6 °F
50°F	TC	15185	15206	15222	15223	15243	16100	16120	16135	16139	16158	17062	17085	17104	17107	17126	18090	18110	18130	18133	18155
	S/T	0.45	0.52	0.59	0.59	0.68	0.47	0.55	0.63	0.63	0.72	0.50	0.59	0.67	0.67	0.76	0.53	0.62	0.71	0.71	0.81
	PI	0.71	0.72	0.72	0.72	0.72	0.76	0.76	0.76	0.76	0.76	0.80	0.80	0.81	0.81	0.81	0.85	0.85	0.85	0.85	0.85
59°F	TC	15632	15653	15670	15671	15692	16574	16594	16610	16613	16633	17564	17587	17607	17610	17630	18623	18643	18663	18666	18689
	S/T	0.45	0.53	0.60	0.60	0.68	0.47	0.56	0.63	0.63	0.72	0.50	0.59	0.67	0.67	0.76	0.53	0.63	0.71	0.71	0.81
	PI	0.77	0.77	0.77	0.77	0.77	0.81	0.81	0.82	0.82	0.82	0.86	0.86	0.86	0.86	0.87	0.91	0.91	0.92	0.92	0.92
68°F	TC	16079	16100	16118	16118	16140	17048	17068	17085	17088	17108	18066	18090	18110	18113	18133	19155	19175	19196	19199	19223
	S/T	0.46	0.54	0.61	0.61	0.70	0.49	0.57	0.65	0.65	0.74	0.52	0.61	0.69	0.69	0.79	0.55	0.64	0.73	0.73	0.83
	PI	0.82	0.82	0.82	0.82	0.82	0.87	0.87	0.87	0.87	0.87	0.92	0.92	0.92	0.92	0.92	0.98	0.98	0.98	0.98	0.98
77°F	TC	16525	16548	16565	16566	16588	17521	17542	17559	17563	17584	18568	18592	18613	18616	18637	19687	19708	19730	19733	19757
	S/T	0.47	0.55	0.62	0.62	0.71	0.49	0.58	0.66	0.66	0.75	0.52	0.61	0.70	0.70	0.80	0.55	0.65	0.74	0.74	0.84
	PI	0.87	0.87	0.87	0.87	0.87	0.92	0.93	0.93	0.93	0.93	0.98	0.98	0.98	0.98	0.98	1.04	1.04	1.04	1.04	1.04
80°F	TC	16471	16493	16511	16512	16534	17464	17484	17502	17505	17526	18507	18531	18552	18555	18576	19622	19643	19665	19668	19692
	S/T	0.47	0.55	0.63	0.63	0.72	0.50	0.59	0.67	0.67	0.76	0.53	0.62	0.71	0.71	0.81	0.56	0.66	0.75	0.75	0.85
	PI	0.94	0.94	0.95	0.95	0.95	1.00	1.00	1.00	1.00	1.00	1.06	1.06	1.06	1.06	1.06	1.12	1.12	1.13	1.13	1.13
86°F	TC	16046	16067	16085	16085	16107	17013	17033	17050	17053	17073	18029	18053	18073	18076	18096	19115	19136	19157	19160	19184
	S/T	0.48	0.56	0.64	0.64	0.73	0.51	0.59	0.68	0.68	0.77	0.54	0.63	0.72	0.72	0.82	0.57	0.67	0.76	0.76	0.86
	PI	1.05	1.06	1.06	1.06	1.06	1.12	1.12	1.12	1.12	1.12	1.18	1.19	1.19	1.19	1.19	1.26	1.26	1.26	1.26	1.26
95°F	TC	15089	15109	15125	15126	15147	15998	16017	16033	16036	16055	16954	16976	16995	16998	17017	17976	17995	18015	18018	18040
	S/T	0.48	0.56	0.64	0.64	0.73	0.51	0.59	0.68	0.68	0.77	0.54	0.63	0.72	0.72	0.82	0.57	0.67	0.76	0.76	0.86
	PI	1.30	1.30	1.31	1.31	1.31	1.38	1.38	1.38	1.38	1.39	1.46	1.47	1.47	1.47	1.47	1.55	1.55	1.55	1.56	1.56
104°F	TC	12607	12624	12638	12638	12655	13367	13383	13396	13399	13415	14166	14184	14200	14202	14218	15019	15035	15052	15054	15073
	S/T	0.49	0.57	0.65	0.65	0.74	0.52	0.61	0.69	0.69	0.79	0.55	0.65	0.73	0.73	0.84	0.58	0.68	0.78	0.78	0.89
	PI	1.25	1.25	1.25	1.25	1.25	1.32	1.32	1.33	1.33	1.33	1.40	1.40	1.40	1.40	1.41	1.49	1.49	1.49	1.49	1.49
110°F	TC	11118	11133	11145	11146	11161	11788	11802	11814	11816	11830	12492	12509	12523	12525	12539	13245	13260	13274	13276	13293
	S/T	0.51	0.60	0.68	0.68	0.77	0.54	0.63	0.72	0.72	0.82	0.57	0.67	0.76	0.76	0.87	0.60	0.71	0.81	0.81	0.92
	PI	1.21	1.22	1.22	1.22	1.22	1.29	1.29	1.29	1.29	1.29	1.36	1.37	1.37	1.37	1.37	1.45	1.45	1.45	1.45	1.45
115°F	TC	9716	9729	9739	9740	9753	10301	10313	10323	10325	10338	10916	10931	10943	10945	10957	11574	11587	11599	11601	11616
	S/T	0.51	0.60	0.68	0.68	0.78	0.54	0.64	0.73	0.73	0.83	0.58	0.68	0.77	0.77	0.88	0.61	0.72	0.82	0.82	0.93
	PI	1.15	1.15	1.15	1.15	1.15	1.21	1.22	1.22	1.22	1.22	1.29	1.29	1.29	1.29	1.29	1.36	1.37	1.37	1.37	1.37
122°F	TC	7845	7856	7864	7865	7875	8318	8328	8336	8338	8348	8815	8827	8836	8838	8848	9346	9356	9367	9368	9380
	S/T	0.53	0.62	0.70	0.70	0.80	0.56	0.65	0.74	0.74	0.85	0.59	0.69	0.79	0.79	0.90	0.63	0.73	0.83	0.83	0.95
	PI	1.05	1.06	1.06	1.06	1.06	1.12	1.12	1.12	1.12	1.12	1.19	1.19	1.19	1.19	1.19	1.26	1.26	1.26	1.26	1.26

18CCHP-HH-SYS-B Expanded Cooling @ 447 CFM

OD DB	ID WB (°F)	60.8 °F					64.4°F					67.0°F					71.6°F				
		ID DB (°F)	73.4 °F	77.0 °F	80.0 °F	80.6 °F	84.2 °F	73.4 °F	77.0 °F	80.0 °F	80.6 °F	84.2 °F	73.4 °F	77.0 °F	80.0 °F	80.6 °F	84.2 °F	73.4 °F	77.0 °F	80.0 °F	80.6 °F
50°F	TC	16977	17000	17018	17019	17042	18000	18021	18039	18043	18064	19075	19100	19121	19125	19146	20225	20247	20269	20272	20297
	S/T	0.50	0.58	0.66	0.66	0.76	0.53	0.62	0.70	0.70	0.80	0.56	0.66	0.75	0.75	0.85	0.59	0.70	0.79	0.79	0.90
	PI	0.80	0.80	0.80	0.80	0.80	0.85	0.85	0.85	0.85	0.85	0.90	0.90	0.90	0.90	0.90	0.95	0.95	0.95	0.95	0.96
59°F	TC	17476	17500	17519	17519	17543	18529	18551	18570	18573	18595	19636	19662	19684	19687	19709	20820	20842	20865	20868	20894
	S/T	0.50	0.59	0.67	0.67	0.76	0.53	0.62	0.71	0.71	0.81	0.56	0.66	0.75	0.75	0.86	0.60	0.70	0.80	0.80	0.91
	PI	0.86	0.86	0.86	0.86	0.86	0.91	0.91	0.91	0.91	0.91	0.96	0.96	0.97	0.97	0.97	1.02	1.02	1.02	1.02	1.03
68°F	TC	17976	18000	18019	18020	18044	19059	19081	19100	19104	19127	20198	20224	20246	20250	20273	21414	21438	21461	21464	21491
	S/T	0.51	0.60	0.69	0.69	0.78	0.54	0.64	0.73	0.73	0.83	0.58	0.68	0.77	0.77	0.88	0.61	0.72	0.82	0.82	0.93
	PI	0.92	0.92	0.92	0.92	0.92	0.97	0.97	0.97	0.97	0.97	1.03	1.03	1.03	1.03	1.03	1.09	1.09	1.09	1.09	1.10
77°F	TC	18475	18500	18520	18521	18546	19588	19612	19631	19635	19658	20759	20786	20809	20813	20836	22009	22033	22057	22061	22088
	S/T	0.52	0.61	0.69	0.69	0.79	0.55	0.65	0.74	0.74	0.84	0.59	0.69	0.78	0.78	0.89	0.62	0.73	0.83	0.83	0.94
	PI	0.97	0.98	0.98	0.98	0.98	1.03	1.03	1.04	1.04	1.04	1.09	1.10	1.10	1.10	1.10	1.16	1.16	1.16	1.16	1.17
80°F	TC	18414	18439	18459	18460	18485	19524	19547	19566	19570	19593	20690	20717	20740	20744	20767	21937	21961	21985	21988	22016
	S/T	0.53	0.62	0.70	0.70	0.80	0.56	0.66	0.75	0.75	0.85	0.59	0.70	0.79	0.79	0.90	0.63	0.74	0.84	0.84	0.95
	PI	1.05	1.06	1.06	1.06	1.06	1.12	1.12	1.12	1.12	1.12	1.18	1.19	1.19	1.19	1.19	1.26	1.26	1.26	1.26	1.26
86°F	TC	17939	17963	17982	17983	18007	19020	19042	19061	19065	19088	20156	20182	20205	20209	20231	21371	21394	21417	21420	21447
	S/T	0.53	0.63	0.71	0.71	0.81	0.57	0.66	0.75	0.75	0.86	0.60	0.70	0.80	0.80	0.91	0.64	0.75	0.85	0.85	0.97
	PI	1.18	1.18	1.18	1.18	1.18	1.25	1.25	1.25	1.25	1.25	1.32	1.33	1.33	1.33	1.33	1.40	1.40	1.41	1.41	1.41
95°F	TC	16869	16892	16910	16911	16933	17886	17907	17925	17928	17949	18954	18979	19000	19004	19025	20096	20118	20140	20143	20168
	S/T	0.53	0.63	0.71	0.71	0.81	0.57	0.66	0.75	0.75	0.86	0.60	0.70	0.80	0.80	0.91	0.64	0.75	0.85	0.85	0.97
	PI	1.46	1.46	1.46	1.46	1.46	1.54	1.55	1.55	1.55	1.55	1.64	1.64	1.64	1.64	1.64	1.73	1.74	1.74	1.74	1.74
104° F	TC	14095	14113	14129	14129	14148	14944	14962	14976	14979	14997	15837	15857	15875	15878	15896	16791	16809	16828	16830	16851
	S/T	0.55	0.64	0.73	0.73	0.83	0.58	0.68	0.77	0.77	0.88	0.62	0.72	0.82	0.82	0.93	0.65	0.76	0.87	0.87	0.99
	PI	1.39	1.40	1.40	1.40	1.40	1.48	1.48	1.48	1.48	1.48	1.57	1.57	1.57	1.57	1.57	1.66	1.66	1.66	1.66	1.67
110° F	TC	12430	12447	12460	12461	12477	13179	13195	13208	13210	13226	13966	13984	14000	14003	14018	14808	14824	14840	14842	14861
	S/T	0.57	0.67	0.76	0.76	0.86	0.60	0.71	0.80	0.80	0.91	0.64	0.75	0.85	0.85	0.97	0.68	0.79	0.90	0.90	1.00
	PI	1.36	1.36	1.36	1.36	1.36	1.44	1.44	1.44	1.44	1.44	1.52	1.53	1.53	1.53	1.53	1.62	1.62	1.62	1.62	1.62
115° F	TC	10862	10876	10888	10889	10903	11516	11530	11541	11544	11557	12204	12220	12234	12236	12250	12940	12954	12968	12970	12986
	S/T	0.57	0.67	0.77	0.77	0.87	0.61	0.71	0.81	0.81	0.92	0.65	0.76	0.86	0.86	0.98	0.68	0.80	0.91	0.91	1.00
	PI	1.28	1.28	1.28	1.28	1.29	1.36	1.36	1.36	1.36	1.36	1.44	1.44	1.44	1.44	1.44	1.53	1.53	1.53	1.53	1.53
122° F	TC	8771	8783	8792	8793	8804	9300	9311	9320	9322	9333	9855	9868	9879	9881	9892	10449	10460	10472	10473	10486
	S/T	0.59	0.69	0.78	0.78	0.89	0.62	0.73	0.83	0.83	0.95	0.66	0.77	0.88	0.88	1.00	0.70	0.82	0.93	0.93	1.00
	PI	1.18	1.18	1.18	1.18	1.18	1.25	1.25	1.25	1.25	1.25	1.32	1.33	1.33	1.33	1.33	1.40	1.41	1.41	1.41	1.41

18CCHPHP-HH-SYS-B Expanded Heating @ 194 CFM

CFM	HEATING PERFORMANCE AT INDOOR DRY BULB TEMPERATURE										
	OD DB (°F)	TC : Total Heating Capacity(BTU/hr)					PI : Power Input(kW)				
		Indoor Conditions (DB °F)					Indoor Conditions (DB °F)				
		60.8°F	68°F	70°F	71.6°F	75.2°F	60.8°F	68°F	70°F	71.6°F	75.2°F
194	-22°F	5504	5394	5367	4935	4891	1.83	1.84	1.85	1.85	1.86
	-13°F	7339	7192	7157	6327	6270	1.88	1.89	1.90	1.90	1.91
	-4°F	10275	10069	10019	8858	8778	2.19	2.21	2.21	2.22	2.23
	0°F	11254	11028	10973	9701	9614	2.34	2.35	2.36	2.36	2.37
	5°F	12477	12227	12166	10756	10659	2.52	2.54	2.54	2.55	2.56
	14°F	13027	12767	12703	11231	11129	2.44	2.46	2.46	2.47	2.48
	17°F	13211	12946	12882	11389	11286	2.41	2.43	2.44	2.44	2.45
	22°F	13516	13246	13180	11652	11547	2.31	2.33	2.34	2.34	2.35
	27°F	13822	13545	13477	11915	11808	2.21	2.23	2.24	2.24	2.25
	32°F	14127	13844	13775	12179	12069	2.12	2.13	2.14	2.14	2.15
	35°F	14310	14024	13954	12337	12226	2.06	2.07	2.08	2.08	2.09
	37°F	14421	14132	14062	12432	12320	2.03	2.04	2.05	2.05	2.06
	42°F	14696	14402	14330	12669	12555	1.95	1.97	1.97	1.98	1.99
	44.6°F	14807	14511	14438	12765	12650	1.93	1.94	1.95	1.95	1.96
	47°F	14972	14673	14599	12907	12791	1.88	1.90	1.90	1.91	1.91
	52°F	14225	13941	13871	12263	12153	1.64	1.66	1.66	1.66	1.67
	57°F	13479	13209	13143	11620	11515	1.40	1.41	1.42	1.42	1.43
59°F	13180	12916	12852	11362	11260	1.31	1.32	1.32	1.32	1.33	
62°F	12732	12477	12415	10976	10877	1.16	1.17	1.17	1.18	1.18	
64.4°F	12433	12184	12123	10718	10622	1.07	1.07	1.08	1.08	1.08	

18CCHPHP-HH-SYS-B Expanded Heating @ 318 CFM

CFM	HEATING PERFORMANCE AT INDOOR DRY BULB TEMPERATURE										
	OD DB (°F)	TC : Total Heating Capacity(BTU/hr)					PI : Power Input(kW)				
		Indoor Conditions (DB °F)					Indoor Conditions (DB °F)				
		60.8°F	68°F	70°F	71.6°F	75.2°F	60.8°F	68°F	70°F	71.6°F	75.2°F
318	-22°F	6276	6150	6119	5856	5803	1.85	1.86	1.87	1.87	1.88
	-13°F	8205	8041	8001	7508	7440	1.90	1.91	1.92	1.92	1.93
	-4°F	11487	11257	11201	10511	10416	2.21	2.23	2.23	2.24	2.25
	0°F	12581	12330	12268	11512	11408	2.36	2.38	2.38	2.39	2.40
	5°F	13949	13670	13601	12763	12648	2.54	2.56	2.57	2.58	2.59
	14°F	14564	14273	14201	13326	13206	2.46	2.48	2.49	2.49	2.50
	17°F	14769	14474	14401	13514	13392	2.44	2.46	2.46	2.47	2.48
	22°F	15111	14809	14734	13827	13702	2.34	2.36	2.36	2.37	2.38
	27°F	15452	15143	15067	14139	14012	2.24	2.26	2.26	2.26	2.27
	32°F	15794	15478	15400	14451	14321	2.14	2.15	2.16	2.16	2.17
	35°F	15999	15679	15600	14639	14507	2.08	2.09	2.10	2.10	2.11
	37°F	16122	15799	15720	14752	14619	2.05	2.06	2.07	2.07	2.08
	42°F	16430	16102	16021	15034	14899	1.97	1.99	1.99	2.00	2.01
	44.6°F	16554	16222	16141	15147	15010	1.95	1.96	1.97	1.97	1.98
	47°F	16738	16404	16322	15316	15178	1.90	1.92	1.92	1.92	1.93
	52°F	15904	15586	15508	14552	14421	1.66	1.67	1.68	1.68	1.69
	57°F	15069	14767	14694	13788	13664	1.42	1.43	1.43	1.43	1.44
59°F	14735	14440	14368	13483	13361	1.32	1.33	1.33	1.34	1.34	
62°F	14234	13949	13879	13024	12907	1.17	1.18	1.19	1.19	1.19	
64.4°F	13900	13622	13554	12719	12604	1.08	1.09	1.09	1.09	1.09	

18CCHP-HH-SYS-B Expanded Heating @ 388 CFM

CFM	HEATING PERFORMANCE AT INDOOR DRY BULB TEMPERATURE										
	OD DB (°F)	TC : Total Heating Capacity(BTU/hr)					PI : Power Input(kW)				
		Indoor Conditions (DB °F)					Indoor Conditions (DB °F)				
		60.8°F	68°F	70°F	71.6°F	75.2°F	60.8°F	68°F	70°F	71.6°F	75.2°F
388	-22°F	7155	7012	6977	6949	6886	1.87	1.88	1.89	1.89	1.90
	-13°F	9173	8990	8945	8909	8829	1.92	1.93	1.93	1.94	1.95
	-4°F	12842	12586	12523	12473	12360	2.23	2.25	2.26	2.26	2.27
	0°F	14065	13784	13715	13660	13537	2.38	2.40	2.41	2.41	2.42
	5°F	15594	15282	15206	15145	15009	2.57	2.59	2.60	2.60	2.61
	14°F	16282	15957	15877	15813	15671	2.49	2.51	2.51	2.52	2.53
	17°F	16512	16181	16101	16036	15892	2.46	2.48	2.49	2.49	2.50
	22°F	16893	16556	16473	16407	16259	2.36	2.38	2.38	2.39	2.40
	27°F	17275	16930	16845	16778	16627	2.26	2.28	2.28	2.29	2.30
	32°F	17657	17304	17217	17148	16994	2.16	2.18	2.18	2.18	2.19
	35°F	17886	17528	17441	17371	17215	2.10	2.11	2.12	2.12	2.13
	37°F	18024	17663	17575	17505	17347	2.07	2.08	2.09	2.09	2.10
	42°F	18369	18001	17911	17840	17679	1.99	2.01	2.01	2.02	2.03
	44.6°F	18506	18136	18046	17973	17812	1.97	1.98	1.99	1.99	2.00
	47°F	18713	18339	18247	18174	18011	1.92	1.94	1.94	1.94	1.95
	52°F	17780	17424	17337	17268	17112	1.68	1.69	1.69	1.70	1.70
	57°F	16846	16510	16427	16361	16214	1.43	1.44	1.45	1.45	1.45
59°F	16473	16144	16063	15999	15855	1.33	1.34	1.35	1.35	1.35	
62°F	15913	15595	15517	15455	15316	1.19	1.20	1.20	1.20	1.21	
64.4°F	15540	15229	15153	15092	14956	1.09	1.10	1.10	1.10	1.11	

18CCHP-HH-SYS-B Expanded Heating @ 447 CFM

CFM	HEATING PERFORMANCE AT INDOOR DRY BULB TEMPERATURE										
	OD DB (°F)	TC : Total Heating Capacity(BTU/hr)					PI : Power Input(kW)				
		Indoor Conditions (DB °F)					Indoor Conditions (DB °F)				
		60.8°F	68°F	70°F	71.6°F	75.2°F	60.8°F	68°F	70°F	71.6°F	75.2°F
447	-22°F	7999	7839	7800	7769	7699	1.89	1.90	1.91	1.91	1.92
	-13°F	10255	10050	10000	9960	9870	1.93	1.95	1.95	1.96	1.97
	-4°F	14358	14070	14000	13944	13819	2.26	2.27	2.28	2.28	2.29
	0°F	15725	15410	15333	15272	15135	2.41	2.43	2.43	2.44	2.45
	5°F	17434	17085	17000	16932	16780	2.60	2.62	2.62	2.63	2.64
	14°F	18203	17839	17750	17679	17520	2.51	2.53	2.54	2.54	2.55
	17°F	18460	18090	18000	17928	17767	2.49	2.51	2.51	2.52	2.53
	22°F	18886	18509	18416	18343	18177	2.38	2.40	2.41	2.41	2.42
	27°F	19313	18927	18832	18757	18588	2.28	2.30	2.31	2.31	2.32
	32°F	19740	19345	19249	19172	18999	2.18	2.20	2.20	2.21	2.22
	35°F	19996	19596	19498	19420	19245	2.12	2.14	2.14	2.14	2.15
	37°F	20150	19747	19649	19570	19394	2.09	2.11	2.11	2.11	2.12
	42°F	20536	20125	20024	19944	19765	2.01	2.03	2.04	2.04	2.05
	44.6°F	20690	20276	20175	20094	19913	1.99	2.00	2.01	2.01	2.02
	47°F	20921	20503	20400	20318	20136	1.94	1.96	1.96	1.96	1.97
	52°F	19877	19480	19382	19305	19131	1.69	1.71	1.71	1.71	1.72
	57°F	18834	18457	18365	18292	18127	1.45	1.46	1.46	1.46	1.47
59°F	18417	18048	17958	17886	17725	1.35	1.36	1.36	1.36	1.37	
62°F	17790	17435	17347	17278	17123	1.20	1.21	1.21	1.21	1.22	
64.4°F	17373	17026	16940	16873	16721	1.10	1.11	1.11	1.11	1.12	

24CCHP-HH-SYS-B Expanded Cooling @ 547 CFM

OD DB	ID WB (°F)	60.8 °F					64.4°F					67.0°F					71.6°F				
		ID DB (°F)	73.4 °F	77.0 °F	80.0 °F	80.6 °F	84.2 °F	73.4 °F	77.0 °F	80.0 °F	80.6 °F	84.2 °F	73.4 °F	77.0 °F	80.0 °F	80.6 °F	84.2 °F	73.4 °F	77.0 °F	80.0 °F	80.6 °F
50°F	TC	22801	22832	22856	22857	22888	24175	24204	24227	24232	24261	25619	25653	25681	25686	25715	27163	27192	27222	27226	27260
	S/T	0.43	0.50	0.57	0.57	0.65	0.45	0.53	0.61	0.61	0.69	0.48	0.56	0.64	0.64	0.73	0.51	0.60	0.68	0.68	0.78
	PI	1.17	1.17	1.17	1.17	1.18	1.24	1.24	1.24	1.24	1.25	1.32	1.32	1.32	1.32	1.32	1.39	1.40	1.40	1.40	1.40
59°F	TC	23376	23408	23433	23434	23466	24785	24815	24839	24844	24873	26266	26300	26329	26334	26364	27849	27879	27909	27914	27948
	S/T	0.43	0.50	0.57	0.57	0.65	0.46	0.54	0.61	0.61	0.69	0.48	0.57	0.64	0.64	0.73	0.51	0.60	0.68	0.68	0.78
	PI	1.27	1.27	1.28	1.28	1.28	1.35	1.35	1.35	1.35	1.35	1.43	1.43	1.43	1.43	1.44	1.52	1.52	1.52	1.52	1.52
68°F	TC	23952	23984	24010	24011	24044	25396	25426	25451	25456	25486	26913	26948	26978	26983	27013	28534	28565	28596	28601	28636
	S/T	0.44	0.52	0.59	0.59	0.67	0.47	0.55	0.62	0.62	0.71	0.50	0.58	0.66	0.66	0.75	0.53	0.62	0.70	0.70	0.80
	PI	1.37	1.38	1.38	1.38	1.38	1.46	1.46	1.46	1.46	1.46	1.54	1.55	1.55	1.55	1.55	1.64	1.64	1.64	1.64	1.64
77°F	TC	24528	24561	24587	24588	24621	26006	26037	26062	26067	26098	27560	27595	27626	27631	27662	29220	29252	29284	29288	29325
	S/T	0.45	0.53	0.60	0.60	0.68	0.47	0.56	0.63	0.63	0.72	0.50	0.59	0.67	0.67	0.76	0.53	0.63	0.71	0.71	0.81
	PI	1.48	1.48	1.48	1.48	1.48	1.57	1.57	1.57	1.57	1.57	1.66	1.66	1.66	1.66	1.66	1.76	1.76	1.76	1.76	1.76
80°F	TC	24109	24141	24167	24169	24201	25562	25592	25617	25623	25653	27089	27124	27155	27160	27190	28721	28753	28784	28788	28824
	S/T	0.45	0.53	0.60	0.60	0.69	0.48	0.56	0.64	0.64	0.73	0.51	0.60	0.68	0.68	0.77	0.54	0.63	0.72	0.72	0.82
	PI	1.54	1.54	1.55	1.55	1.55	1.64	1.64	1.64	1.64	1.64	1.73	1.74	1.74	1.74	1.74	1.84	1.84	1.84	1.84	1.84
86°F	TC	22842	22873	22898	22899	22930	24219	24248	24272	24276	24305	25666	25699	25728	25733	25761	27212	27242	27272	27276	27310
	S/T	0.46	0.54	0.61	0.61	0.70	0.49	0.57	0.65	0.65	0.74	0.52	0.61	0.69	0.69	0.78	0.55	0.64	0.73	0.73	0.83
	PI	1.61	1.61	1.61	1.61	1.61	1.70	1.71	1.71	1.71	1.71	1.81	1.81	1.81	1.81	1.81	1.92	1.92	1.92	1.92	1.92
95°F	TC	19992	20019	20041	20042	20069	21197	21222	21243	21247	21273	22464	22493	22518	22522	22547	23817	23843	23869	23873	23902
	S/T	0.46	0.54	0.61	0.61	0.70	0.49	0.57	0.65	0.65	0.74	0.52	0.61	0.69	0.69	0.78	0.55	0.64	0.73	0.73	0.83
	PI	1.76	1.76	1.76	1.76	1.76	1.86	1.86	1.86	1.87	1.87	1.97	1.97	1.98	1.98	1.98	2.09	2.09	2.10	2.10	2.10
104°F	TC	17512	17536	17555	17556	17579	18568	18590	18608	18612	18634	19677	19703	19725	19728	19750	20863	20885	20908	20911	20937
	S/T	0.47	0.55	0.63	0.63	0.72	0.50	0.59	0.66	0.66	0.76	0.53	0.62	0.70	0.70	0.80	0.56	0.66	0.75	0.75	0.85
	PI	1.73	1.73	1.74	1.74	1.74	1.84	1.84	1.84	1.84	1.84	1.95	1.95	1.95	1.95	1.95	2.06	2.06	2.07	2.07	2.07
110°F	TC	16024	16046	16063	16064	16086	16990	17010	17027	17030	17051	18005	18029	18049	18052	18072	19090	19111	19132	19135	19158
	S/T	0.49	0.57	0.65	0.65	0.74	0.52	0.61	0.69	0.69	0.79	0.55	0.64	0.73	0.73	0.83	0.58	0.68	0.77	0.77	0.88
	PI	1.72	1.72	1.72	1.72	1.72	1.82	1.82	1.82	1.82	1.83	1.93	1.93	1.93	1.93	1.94	2.05	2.05	2.05	2.05	2.05
115°F	TC	13504	13522	13537	13537	13556	14318	14335	14349	14352	14369	15173	15193	15210	15213	15230	16087	16105	16123	16125	16145
	S/T	0.49	0.58	0.66	0.66	0.75	0.52	0.61	0.70	0.70	0.79	0.55	0.65	0.74	0.74	0.84	0.59	0.69	0.78	0.78	0.89
	PI	1.52	1.53	1.53	1.53	1.53	1.62	1.62	1.62	1.62	1.62	1.71	1.71	1.72	1.72	1.72	1.81	1.82	1.82	1.82	1.82
122°F	TC	10144	10157	10168	10169	10182	10755	10768	10778	10780	10793	11397	11412	11425	11427	11440	12084	12097	12110	12112	12127
	S/T	0.50	0.59	0.67	0.67	0.77	0.54	0.63	0.71	0.71	0.81	0.57	0.67	0.76	0.76	0.86	0.60	0.71	0.80	0.80	0.91
	PI	1.27	1.27	1.27	1.27	1.27	1.34	1.34	1.34	1.34	1.35	1.42	1.42	1.42	1.43	1.43	1.51	1.51	1.51	1.51	1.51

24CCHP-HH-SYS-B Expanded Cooling @ 635 CFM

OD DB	ID WB (°F)	60.8 °F					64.4°F					67.0°F					71.6°F				
		ID DB (°F)	73.4 °F	77.0 °F	80.0 °F	80.6 °F	84.2 °F	73.4 °F	77.0 °F	80.0 °F	80.6 °F	84.2 °F	73.4 °F	77.0 °F	80.0 °F	80.6 °F	84.2 °F	73.4 °F	77.0 °F	80.0 °F	80.6 °F
50°F	TC	23981	24014	24040	24041	24073	25427	25457	25482	25487	25517	26946	26981	27011	27016	27046	28569	28600	28632	28636	28672
	S/T	0.45	0.53	0.60	0.60	0.68	0.48	0.56	0.64	0.64	0.73	0.51	0.59	0.67	0.67	0.77	0.54	0.63	0.72	0.72	0.82
	PI	1.23	1.23	1.23	1.23	1.24	1.31	1.31	1.31	1.31	1.31	1.38	1.39	1.39	1.39	1.39	1.47	1.47	1.47	1.47	1.47
59°F	TC	24587	24620	24646	24648	24681	26069	26099	26125	26130	26161	27626	27662	27693	27698	27729	29291	29322	29354	29359	29395
	S/T	0.45	0.53	0.60	0.60	0.69	0.48	0.56	0.64	0.64	0.73	0.51	0.60	0.68	0.68	0.77	0.54	0.63	0.72	0.72	0.82
	PI	1.34	1.34	1.34	1.34	1.34	1.42	1.42	1.42	1.42	1.42	1.50	1.51	1.51	1.51	1.51	1.59	1.60	1.60	1.60	1.60
68°F	TC	25192	25226	25253	25254	25289	26711	26742	26769	26774	26806	28306	28343	28375	28380	28412	30012	30044	30077	30082	30119
	S/T	0.46	0.55	0.62	0.62	0.71	0.49	0.58	0.66	0.66	0.75	0.52	0.61	0.70	0.70	0.79	0.55	0.65	0.74	0.74	0.84
	PI	1.45	1.45	1.45	1.45	1.45	1.53	1.53	1.54	1.54	1.54	1.62	1.63	1.63	1.63	1.63	1.72	1.72	1.73	1.73	1.73
77°F	TC	25798	25832	25860	25861	25896	27352	27385	27412	27417	27450	28987	29024	29057	29062	29094	30733	30766	30800	30805	30843
	S/T	0.47	0.55	0.63	0.63	0.72	0.50	0.59	0.67	0.67	0.76	0.53	0.62	0.71	0.71	0.80	0.56	0.66	0.75	0.75	0.85
	PI	1.55	1.55	1.56	1.56	1.56	1.65	1.65	1.65	1.65	1.65	1.74	1.75	1.75	1.75	1.75	1.85	1.85	1.85	1.85	1.86
80°F	TC	25357	25391	25419	25420	25454	26886	26917	26944	26949	26981	28492	28529	28561	28566	28598	30208	30241	30274	30279	30317
	S/T	0.48	0.56	0.64	0.64	0.72	0.51	0.59	0.67	0.67	0.77	0.54	0.63	0.71	0.71	0.81	0.57	0.67	0.76	0.76	0.86
	PI	1.62	1.62	1.63	1.63	1.63	1.72	1.72	1.72	1.72	1.73	1.82	1.83	1.83	1.83	1.83	1.93	1.93	1.94	1.94	1.94
86°F	TC	24025	24057	24083	24084	24117	25473	25503	25528	25533	25564	26995	27030	27060	27065	27095	28621	28652	28684	28688	28724
	S/T	0.48	0.57	0.64	0.64	0.73	0.51	0.60	0.68	0.68	0.78	0.54	0.64	0.72	0.72	0.82	0.57	0.67	0.77	0.77	0.87
	PI	1.69	1.69	1.70	1.70	1.70	1.79	1.80	1.80	1.80	1.80	1.90	1.90	1.90	1.91	1.91	2.01	2.02	2.02	2.02	2.02
95°F	TC	21028	21056	21079	21079	21108	22295	22321	22343	22348	22374	23627	23657	23684	23688	23715	25050	25078	25105	25109	25140
	S/T	0.48	0.57	0.64	0.64	0.73	0.51	0.60	0.68	0.68	0.78	0.54	0.64	0.72	0.72	0.82	0.57	0.67	0.77	0.77	0.87
	PI	1.85	1.85	1.85	1.85	1.85	1.96	1.96	1.96	1.96	1.96	2.07	2.08	2.08	2.08	2.08	2.20	2.20	2.20	2.20	2.21
104°F	TC	18419	18444	18464	18465	18490	19529	19552	19572	19576	19599	20696	20723	20746	20750	20773	21943	21967	21991	21994	22022
	S/T	0.49	0.58	0.66	0.66	0.75	0.52	0.62	0.70	0.70	0.80	0.56	0.65	0.74	0.74	0.85	0.59	0.69	0.79	0.79	0.90
	PI	1.82	1.82	1.83	1.83	1.83	1.93	1.93	1.93	1.94	1.94	2.05	2.05	2.05	2.05	2.05	2.17	2.17	2.17	2.17	2.18
110°F	TC	16854	16877	16895	16896	16919	17870	17891	17909	17912	17933	18937	18962	18983	18987	19008	20078	20100	20122	20125	20150
	S/T	0.51	0.60	0.68	0.68	0.78	0.54	0.64	0.72	0.72	0.83	0.58	0.68	0.77	0.77	0.88	0.61	0.72	0.81	0.81	0.93
	PI	1.81	1.81	1.81	1.81	1.81	1.91	1.92	1.92	1.92	1.92	2.03	2.03	2.03	2.03	2.04	2.15	2.15	2.16	2.16	2.16
115°F	TC	14203	14222	14238	14238	14258	15059	15077	15092	15095	15113	15959	15980	15997	16000	16018	16920	16939	16957	16960	16981
	S/T	0.52	0.61	0.69	0.69	0.79	0.55	0.65	0.73	0.73	0.84	0.58	0.68	0.78	0.78	0.89	0.62	0.73	0.82	0.82	0.94
	PI	1.60	1.60	1.61	1.61	1.61	1.70	1.70	1.70	1.70	1.70	1.80	1.80	1.80	1.80	1.81	1.91	1.91	1.91	1.91	1.92
122°F	TC	10669	10683	10695	10695	10710	11312	11325	11336	11339	11352	11988	12003	12017	12019	12032	12710	12724	12737	12739	12755
	S/T	0.53	0.62	0.71	0.71	0.81	0.56	0.66	0.75	0.75	0.86	0.60	0.70	0.80	0.80	0.91	0.63	0.74	0.84	0.84	0.96
	PI	1.33	1.33	1.33	1.33	1.34	1.41	1.41	1.41	1.41	1.42	1.50	1.50	1.50	1.50	1.50	1.59	1.59	1.59	1.59	1.59

24CCHP-HH-SYS-B Expanded Cooling @ 706 CFM

OD DB	ID WB (°F)	60.8 °F					64.4°F					67.0°F					71.6°F				
		ID DB (°F)	73.4 °F	77.0 °F	80.0 °F	80.6 °F	84.2 °F	73.4 °F	77.0 °F	80.0 °F	80.6 °F	84.2 °F	73.4 °F	77.0 °F	80.0 °F	80.6 °F	84.2 °F	73.4 °F	77.0 °F	80.0 °F	80.6 °F
50°F	TC	25223	25257	25284	25286	25320	26743	26775	26801	26807	26839	28341	28378	28410	28415	28447	30049	30081	30114	30119	30156
	S/T	0.47	0.56	0.63	0.63	0.72	0.50	0.59	0.67	0.67	0.76	0.53	0.62	0.71	0.71	0.81	0.56	0.66	0.75	0.75	0.86
	PI	1.29	1.30	1.30	1.30	1.30	1.37	1.37	1.38	1.38	1.38	1.45	1.46	1.46	1.46	1.46	1.54	1.54	1.55	1.55	1.55
59°F	TC	25860	25895	25923	25924	25959	27418	27451	27478	27483	27516	29057	29094	29127	29132	29165	30807	30841	30874	30879	30918
	S/T	0.48	0.56	0.63	0.63	0.72	0.50	0.59	0.67	0.67	0.77	0.53	0.63	0.71	0.71	0.81	0.57	0.67	0.76	0.76	0.86
	PI	1.41	1.41	1.41	1.41	1.41	1.49	1.49	1.50	1.50	1.50	1.58	1.58	1.59	1.59	1.59	1.68	1.68	1.68	1.68	1.68
68°F	TC	26497	26532	26561	26562	26598	28094	28127	28155	28160	28194	29772	29811	29844	29849	29883	31566	31600	31635	31639	31679
	S/T	0.49	0.57	0.65	0.65	0.74	0.52	0.61	0.69	0.69	0.79	0.55	0.64	0.73	0.73	0.83	0.58	0.68	0.78	0.78	0.88
	PI	1.52	1.52	1.52	1.52	1.53	1.61	1.61	1.62	1.62	1.62	1.71	1.71	1.71	1.71	1.71	1.81	1.81	1.82	1.82	1.82
77°F	TC	27133	27170	27199	27200	27237	28769	28803	28831	28837	28871	30487	30527	30561	30567	30601	32324	32360	32395	32400	32440
	S/T	0.50	0.58	0.66	0.66	0.75	0.52	0.62	0.70	0.70	0.80	0.56	0.65	0.74	0.74	0.85	0.59	0.69	0.79	0.79	0.90
	PI	1.63	1.64	1.64	1.64	1.64	1.73	1.73	1.74	1.74	1.74	1.83	1.84	1.84	1.84	1.84	1.95	1.95	1.95	1.95	1.95
80°F	TC	26670	26706	26735	26736	26772	28278	28311	28339	28345	28378	29967	30006	30039	30045	30079	31773	31807	31842	31847	31886
	S/T	0.50	0.59	0.67	0.67	0.76	0.53	0.62	0.71	0.71	0.81	0.56	0.66	0.75	0.75	0.86	0.60	0.70	0.80	0.80	0.91
	PI	1.71	1.71	1.71	1.71	1.71	1.81	1.81	1.81	1.81	1.82	1.92	1.92	1.92	1.92	1.92	2.03	2.04	2.04	2.04	2.04
86°F	TC	25269	25303	25330	25332	25366	26792	26824	26850	26856	26887	28393	28430	28461	28467	28498	30103	30136	30169	30174	30211
	S/T	0.51	0.60	0.68	0.68	0.77	0.54	0.63	0.72	0.72	0.82	0.57	0.67	0.76	0.76	0.87	0.60	0.71	0.81	0.81	0.92
	PI	1.78	1.78	1.78	1.78	1.79	1.89	1.89	1.89	1.89	1.89	2.00	2.00	2.00	2.00	2.01	2.12	2.12	2.12	2.12	2.13
95°F	TC	22116	22146	22170	22171	22201	23449	23477	23500	23505	23533	24850	24882	24910	24915	24943	26347	26376	26405	26409	26442
	S/T	0.51	0.60	0.68	0.68	0.77	0.54	0.63	0.72	0.72	0.82	0.57	0.67	0.76	0.76	0.87	0.60	0.71	0.81	0.81	0.92
	PI	1.94	1.94	1.95	1.95	1.95	2.06	2.06	2.06	2.06	2.07	2.18	2.18	2.19	2.19	2.19	2.31	2.32	2.32	2.32	2.32
104°F	TC	19373	19399	19420	19421	19447	20540	20565	20585	20589	20614	21768	21796	21820	21824	21849	23079	23104	23129	23133	23162
	S/T	0.52	0.61	0.69	0.69	0.79	0.55	0.65	0.74	0.74	0.84	0.58	0.69	0.78	0.78	0.89	0.62	0.73	0.83	0.83	0.94
	PI	1.92	1.92	1.92	1.92	1.92	2.03	2.03	2.04	2.04	2.04	2.15	2.15	2.16	2.16	2.16	2.28	2.28	2.29	2.29	2.29
110°F	TC	17727	17751	17770	17771	17795	18795	18817	18836	18840	18862	19918	19944	19966	19970	19992	21118	21141	21164	21167	21194
	S/T	0.54	0.63	0.72	0.72	0.82	0.57	0.67	0.76	0.76	0.87	0.61	0.71	0.81	0.81	0.92	0.64	0.75	0.86	0.86	0.98
	PI	1.90	1.90	1.90	1.90	1.91	2.01	2.02	2.02	2.02	2.02	2.13	2.14	2.14	2.14	2.14	2.26	2.27	2.27	2.27	2.27
115°F	TC	14939	14959	14975	14976	14996	15839	15858	15873	15877	15895	16785	16807	16826	16829	16848	17797	17816	17835	17838	17860
	S/T	0.55	0.64	0.73	0.73	0.83	0.58	0.68	0.77	0.77	0.88	0.61	0.72	0.82	0.82	0.93	0.65	0.76	0.87	0.87	0.99
	PI	1.69	1.69	1.69	1.69	1.69	1.79	1.79	1.79	1.79	1.79	1.89	1.90	1.90	1.90	1.90	2.01	2.01	2.01	2.01	2.01
122°F	TC	11221	11236	11248	11249	11264	11897	11912	11923	11926	11940	12608	12625	12639	12641	12655	13368	13382	13397	13399	13416
	S/T	0.56	0.66	0.74	0.74	0.85	0.59	0.69	0.79	0.79	0.90	0.63	0.74	0.84	0.84	0.95	0.67	0.78	0.89	0.89	1.00
	PI	1.40	1.40	1.40	1.40	1.40	1.48	1.49	1.49	1.49	1.49	1.57	1.57	1.58	1.58	1.58	1.67	1.67	1.67	1.67	1.67

24CCHP-HH-SYS-B Expanded Cooling @ 765 CFM

OD DB	ID WB (°F)	60.8 °F					64.4°F					67.0°F					71.6°F				
		ID DB (°F)	73.4 °F	77.0 °F	80.0 °F	80.6 °F	84.2 °F	73.4 °F	77.0 °F	80.0 °F	80.6 °F	84.2 °F	73.4 °F	77.0 °F	80.0 °F	80.6 °F	84.2 °F	73.4 °F	77.0 °F	80.0 °F	80.6 °F
50°F	TC	26529	26565	26594	26595	26631	28128	28161	28189	28195	28228	29809	29847	29881	29886	29919	31605	31639	31673	31678	31718
	S/T	0.50	0.58	0.66	0.66	0.76	0.53	0.62	0.70	0.70	0.80	0.56	0.66	0.75	0.75	0.85	0.59	0.70	0.79	0.79	0.90
	PI	1.36	1.36	1.37	1.37	1.37	1.44	1.45	1.45	1.45	1.45	1.53	1.53	1.53	1.53	1.54	1.62	1.62	1.63	1.63	1.63
59°F	TC	27199	27236	27265	27266	27303	28838	28872	28901	28907	28941	30561	30601	30635	30641	30675	32402	32438	32473	32478	32518
	S/T	0.50	0.59	0.67	0.67	0.76	0.53	0.62	0.71	0.71	0.81	0.56	0.66	0.75	0.75	0.86	0.60	0.70	0.80	0.80	0.91
	PI	1.48	1.48	1.48	1.48	1.49	1.57	1.57	1.57	1.57	1.58	1.66	1.67	1.67	1.67	1.67	1.76	1.77	1.77	1.77	1.77
68°F	TC	27869	27906	27936	27938	27975	29548	29583	29612	29618	29653	31314	31354	31389	31395	31430	33200	33236	33273	33278	33319
	S/T	0.51	0.60	0.69	0.69	0.78	0.54	0.64	0.73	0.73	0.83	0.58	0.68	0.77	0.77	0.88	0.61	0.72	0.82	0.82	0.93
	PI	1.60	1.60	1.60	1.60	1.61	1.70	1.70	1.70	1.70	1.70	1.80	1.80	1.80	1.80	1.80	1.90	1.91	1.91	1.91	1.91
77°F	TC	28538	28577	28608	28609	28647	30258	30294	30324	30330	30366	32066	32108	32144	32150	32185	33998	34035	34072	34077	34120
	S/T	0.52	0.61	0.69	0.69	0.79	0.55	0.65	0.74	0.74	0.84	0.59	0.69	0.78	0.78	0.89	0.62	0.73	0.83	0.83	0.94
	PI	1.72	1.72	1.72	1.72	1.72	1.82	1.82	1.83	1.83	1.83	1.93	1.93	1.93	1.93	1.94	2.05	2.05	2.05	2.05	2.05
80°F	TC	28051	28089	28119	28121	28159	29742	29777	29807	29812	29848	31519	31560	31595	31601	31636	33418	33454	33491	33496	33538
	S/T	0.53	0.62	0.70	0.70	0.80	0.56	0.66	0.75	0.75	0.85	0.59	0.70	0.79	0.79	0.90	0.63	0.74	0.84	0.84	0.95
	PI	1.79	1.80	1.80	1.80	1.80	1.90	1.91	1.91	1.91	1.91	2.02	2.02	2.02	2.02	2.02	2.14	2.14	2.14	2.14	2.15
86°F	TC	26578	26613	26642	26643	26679	28179	28213	28241	28246	28280	29863	29902	29935	29941	29974	31662	31697	31731	31736	31775
	S/T	0.53	0.63	0.71	0.71	0.81	0.57	0.66	0.75	0.75	0.86	0.60	0.70	0.80	0.80	0.91	0.64	0.75	0.85	0.85	0.97
	PI	1.87	1.87	1.88	1.88	1.88	1.98	1.99	1.99	1.99	1.99	2.10	2.10	2.11	2.11	2.11	2.23	2.23	2.23	2.23	2.24
95°F	TC	23262	23293	23318	23319	23350	24663	24693	24717	24722	24751	26137	26171	26200	26205	26234	27712	27742	27772	27776	27811
	S/T	0.53	0.63	0.71	0.71	0.81	0.57	0.66	0.75	0.75	0.86	0.60	0.70	0.80	0.80	0.91	0.64	0.75	0.85	0.85	0.97
	PI	2.04	2.04	2.05	2.05	2.05	2.17	2.17	2.17	2.17	2.17	2.29	2.30	2.30	2.30	2.30	2.43	2.44	2.44	2.44	2.44
104°F	TC	20376	20403	20425	20426	20454	21604	21630	21651	21655	21681	22895	22924	22950	22954	22980	24274	24301	24327	24331	24361
	S/T	0.55	0.64	0.73	0.73	0.83	0.58	0.68	0.77	0.77	0.88	0.62	0.72	0.82	0.82	0.93	0.65	0.76	0.87	0.87	0.99
	PI	2.01	2.02	2.02	2.02	2.02	2.14	2.14	2.14	2.14	2.14	2.26	2.27	2.27	2.27	2.27	2.40	2.40	2.41	2.41	2.41
110°F	TC	18645	18670	18690	18691	18716	19768	19792	19811	19815	19839	20949	20977	21000	21004	21027	22212	22236	22260	22263	22291
	S/T	0.57	0.67	0.76	0.76	0.86	0.60	0.71	0.80	0.80	0.91	0.64	0.75	0.85	0.85	0.97	0.68	0.79	0.90	0.90	1.00
	PI	2.00	2.00	2.00	2.00	2.01	2.12	2.12	2.12	2.12	2.13	2.24	2.25	2.25	2.25	2.25	2.38	2.38	2.39	2.39	2.39
115°F	TC	15712	15733	15750	15751	15772	16659	16679	16695	16699	16718	17654	17677	17697	17700	17720	18718	18738	18759	18762	18785
	S/T	0.57	0.67	0.77	0.77	0.87	0.61	0.71	0.81	0.81	0.92	0.65	0.76	0.86	0.86	0.98	0.68	0.80	0.91	0.91	1.00
	PI	1.77	1.77	1.78	1.78	1.78	1.88	1.88	1.88	1.88	1.89	1.99	1.99	2.00	2.00	2.00	2.11	2.11	2.12	2.12	2.12
122°F	TC	11802	11818	11831	11831	11847	12514	12528	12541	12543	12558	13261	13278	13293	13296	13310	14060	14075	14091	14093	14110
	S/T	0.59	0.69	0.78	0.78	0.89	0.62	0.73	0.83	0.83	0.95	0.66	0.77	0.88	0.88	1.00	0.70	0.82	0.93	0.93	1.00
	PI	1.47	1.47	1.48	1.48	1.48	1.56	1.56	1.56	1.56	1.57	1.65	1.66	1.66	1.66	1.66	1.75	1.76	1.76	1.76	1.76

24CCHP-HH-SYS-B Expanded Heating @ 547 CFM

CFM	HEATING PERFORMANCE AT INDOOR DRY BULB TEMPERATURE										
	OD DB (°F)	TC : Total Heating Capacity(BTU/hr)					PI : Power Input(kW)				
		Indoor Conditions (DB °F)					Indoor Conditions (DB °F)				
		60.8°F	68°F	70°F	71.6°F	75.2°F	60.8°F	68°F	70°F	71.6°F	75.2°F
547	-22°F	8051	7890	7851	7731	7661	2.31	2.32	2.33	2.33	2.34
	-13°F	11106	10884	10829	10253	10161	2.38	2.40	2.40	2.41	2.42
	-4°F	15248	14943	14869	14078	13951	2.63	2.65	2.66	2.66	2.68
	0°F	17795	17439	17352	16429	16281	2.80	2.82	2.83	2.83	2.84
	5°F	20977	20558	20455	19367	19193	3.00	3.03	3.04	3.04	3.05
	14°F	21044	20623	20520	19428	19254	2.79	2.81	2.81	2.82	2.83
	17°F	21066	20644	20541	19449	19274	2.71	2.74	2.74	2.75	2.76
	22°F	21813	21377	21270	20139	19958	2.75	2.78	2.78	2.79	2.80
	27°F	22561	22110	21999	20830	20642	2.80	2.82	2.82	2.83	2.84
	32°F	23309	22843	22729	21520	21326	2.84	2.86	2.87	2.87	2.88
	35°F	23758	23282	23166	21934	21737	2.86	2.89	2.89	2.90	2.91
	37°F	24308	23822	23703	22442	22240	2.78	2.81	2.81	2.82	2.83
	42°F	25684	25170	25044	23712	23499	2.59	2.61	2.61	2.62	2.63
	44.6°F	26234	25709	25581	24220	24002	2.51	2.53	2.54	2.54	2.55
	47°F	27059	26518	26385	24982	24757	2.39	2.41	2.42	2.42	2.43
	52°F	26730	26196	26065	24679	24457	2.15	2.17	2.17	2.17	2.18
	57°F	26402	25874	25744	24375	24156	1.90	1.92	1.92	1.93	1.93
59°F	26270	25745	25616	24254	24036	1.81	1.82	1.82	1.83	1.84	
62°F	26073	25552	25424	24072	23855	1.66	1.67	1.68	1.68	1.69	
64.4°F	25941	25423	25296	23950	23735	1.56	1.57	1.58	1.58	1.59	

24CCHP-HH-SYS-B Expanded Heating @ 635 CFM

CFM	HEATING PERFORMANCE AT INDOOR DRY BULB TEMPERATURE										
	OD DB (°F)	TC : Total Heating Capacity(BTU/hr)					PI : Power Input(kW)				
		Indoor Conditions (DB °F)					Indoor Conditions (DB °F)				
		60.8°F	68°F	70°F	71.6°F	75.2°F	60.8°F	68°F	70°F	71.6°F	75.2°F
635	-22°F	8636	8463	8421	8339	8264	2.33	2.35	2.35	2.36	2.37
	-13°F	11681	11447	11390	11061	10961	2.40	2.42	2.43	2.43	2.44
	-4°F	16038	15717	15639	15187	15050	2.66	2.68	2.69	2.69	2.70
	0°F	18716	18342	18250	17723	17563	2.83	2.85	2.85	2.86	2.87
	5°F	22064	21622	21514	20893	20705	3.04	3.06	3.07	3.07	3.08
	14°F	22133	21691	21582	20958	20770	2.81	2.84	2.84	2.85	2.86
	17°F	22156	21713	21605	20980	20791	2.74	2.76	2.77	2.77	2.78
	22°F	22943	22484	22372	21725	21530	2.78	2.81	2.81	2.82	2.83
	27°F	23729	23255	23139	22470	22268	2.82	2.85	2.85	2.86	2.87
	32°F	24516	24026	23905	23215	23006	2.87	2.89	2.90	2.90	2.91
	35°F	24988	24488	24366	23661	23448	2.89	2.92	2.92	2.93	2.94
	37°F	25567	25055	24930	24209	23992	2.81	2.84	2.84	2.85	2.86
	42°F	27013	26473	26341	25580	25349	2.61	2.64	2.64	2.65	2.66
	44.6°F	27592	27040	26905	26128	25892	2.54	2.56	2.56	2.57	2.58
	47°F	28460	27891	27752	26950	26707	2.42	2.44	2.44	2.45	2.46
	52°F	28115	27552	27414	26622	26383	2.17	2.19	2.19	2.20	2.20
	57°F	27769	27213	27077	26295	26058	1.92	1.94	1.94	1.95	1.95
59°F	27630	27078	26942	26164	25928	1.82	1.84	1.84	1.85	1.85	
62°F	27423	26875	26740	25967	25734	1.68	1.69	1.69	1.70	1.70	
64.4°F	27285	26739	26605	25836	25604	1.58	1.59	1.59	1.60	1.60	

24CCHP-HH-SYS-B Expanded Heating @ 706 CFM

CFM	HEATING PERFORMANCE AT INDOOR DRY BULB TEMPERATURE										
	OD DB (°F)	TC : Total Heating Capacity(BTU/hr)					PI : Power Input(kW)				
		Indoor Conditions (DB °F)					Indoor Conditions (DB °F)				
		60.8°F	68°F	70°F	71.6°F	75.2°F	60.8°F	68°F	70°F	71.6°F	75.2°F
706	-22°F	9263	9078	9032	8996	8915	2.35	2.37	2.38	2.38	2.39
	-13°F	12286	12040	11980	11932	11824	2.43	2.45	2.45	2.46	2.47
	-4°F	16868	16531	16448	16383	16235	2.69	2.71	2.71	2.72	2.73
	0°F	19685	19291	19195	19118	18946	2.85	2.88	2.88	2.89	2.90
	5°F	23206	22742	22628	22538	22335	3.07	3.09	3.10	3.10	3.12
	14°F	23279	22814	22700	22609	22405	2.84	2.87	2.87	2.88	2.89
	17°F	23304	22838	22723	22632	22429	2.77	2.79	2.80	2.80	2.81
	22°F	24131	23648	23530	23436	23225	2.81	2.83	2.84	2.84	2.86
	27°F	24958	24459	24337	24239	24021	2.85	2.88	2.88	2.89	2.90
	32°F	25785	25270	25143	25043	24817	2.90	2.92	2.93	2.93	2.94
	35°F	26282	25756	25627	25525	25295	2.92	2.95	2.95	2.96	2.97
	37°F	26890	26353	26221	26116	25881	2.84	2.86	2.87	2.88	2.89
	42°F	28412	27844	27705	27594	27346	2.64	2.66	2.67	2.67	2.68
	44.6°F	29021	28440	28298	28185	27931	2.56	2.58	2.59	2.59	2.60
	47°F	29934	29335	29189	29072	28810	2.44	2.46	2.47	2.47	2.48
	52°F	29570	28979	28834	28719	28460	2.19	2.21	2.21	2.22	2.23
	57°F	29207	28623	28479	28365	28110	1.94	1.96	1.96	1.97	1.97
59°F	29061	28480	28338	28224	27970	1.84	1.86	1.86	1.87	1.87	
62°F	28843	28266	28125	28012	27760	1.69	1.71	1.71	1.71	1.72	
64.4°F	28698	28124	27983	27871	27620	1.59	1.61	1.61	1.61	1.62	

24CCHP-HH-SYS-B Expanded Heating @ 765 CFM

CFM	HEATING PERFORMANCE AT INDOOR DRY BULB TEMPERATURE										
	OD DB (°F)	TC : Total Heating Capacity(BTU/hr)					PI : Power Input(kW)				
		Indoor Conditions (DB °F)					Indoor Conditions (DB °F)				
		60.8°F	68°F	70°F	71.6°F	75.2°F	60.8°F	68°F	70°F	71.6°F	75.2°F
765	-22°F	9743	9548	9500	9462	9377	2.38	2.40	2.40	2.41	2.41
	-13°F	12922	12663	12600	12550	12437	2.45	2.47	2.48	2.48	2.49
	-4°F	17742	17387	17300	17231	17076	2.71	2.74	2.74	2.75	2.76
	0°F	20704	20290	20189	20108	19927	2.88	2.91	2.91	2.92	2.93
	5°F	24408	23920	23800	23705	23491	3.10	3.12	3.13	3.13	3.15
	14°F	24485	23995	23875	23780	23565	2.87	2.89	2.90	2.91	2.92
	17°F	24510	24020	23900	23804	23590	2.80	2.82	2.82	2.83	2.84
	22°F	25380	24873	24748	24649	24428	2.84	2.86	2.87	2.87	2.89
	27°F	26250	25725	25597	25494	25265	2.88	2.91	2.91	2.92	2.93
	32°F	27120	26578	26445	26339	26102	2.93	2.95	2.95	2.96	2.97
	35°F	27642	27090	26954	26846	26605	2.95	2.98	2.98	2.99	3.00
	37°F	28283	27717	27578	27468	27221	2.87	2.89	2.90	2.91	2.92
	42°F	29883	29286	29139	29023	28761	2.67	2.69	2.69	2.70	2.71
	44.6°F	30524	29913	29764	29644	29378	2.59	2.61	2.61	2.62	2.63
	47°F	31484	30854	30700	30577	30302	2.47	2.49	2.49	2.49	2.51
	52°F	31101	30479	30327	30206	29934	2.21	2.23	2.24	2.24	2.25
	57°F	30719	30105	29954	29834	29566	1.96	1.98	1.98	1.99	1.99
59°F	30566	29955	29805	29686	29418	1.86	1.88	1.88	1.88	1.89	
62°F	30336	29730	29581	29463	29198	1.71	1.72	1.73	1.73	1.74	
64.4°F	30183	29580	29432	29314	29050	1.61	1.62	1.63	1.63	1.64	

TC:Total Cooling Capacity (BTU/hr)

S/T:Sensible Cooling Capacity Ratio

PI:Power Input(kW)

36CCHP-HH-SYS-B Expanded Cooling @ 753 CFM

OD DB	ID WB (°F)	60.8 °F					64.4°F					67.0°F					71.6°F				
		ID DB (°F)	73.4 °F	77.0 °F	80.0 °F	80.6 °F	84.2 °F	73.4 °F	77.0 °F	80.0 °F	80.6 °F	84.2 °F	73.4 °F	77.0 °F	80.0 °F	80.6 °F	84.2 °F	73.4 °F	77.0 °F	80.0 °F	80.6 °F
50°F	TC	27988	28026	28056	28057	28095	29675	29710	29739	29745	29780	31448	31488	31524	31529	31565	33342	33379	33415	33420	33462
	S/T	0.41	0.48	0.55	0.55	0.62	0.43	0.51	0.58	0.58	0.66	0.46	0.54	0.61	0.61	0.70	0.49	0.57	0.65	0.65	0.74
	PI	1.56	1.57	1.57	1.57	1.57	1.66	1.66	1.66	1.66	1.66	1.76	1.76	1.76	1.76	1.76	1.86	1.86	1.87	1.87	1.87
59°F	TC	27828	27865	27895	27897	27934	29505	29540	29569	29575	29610	31268	31308	31343	31349	31384	33152	33188	33224	33229	33270
	S/T	0.41	0.48	0.55	0.55	0.63	0.44	0.51	0.58	0.58	0.66	0.46	0.54	0.62	0.62	0.70	0.49	0.58	0.65	0.65	0.75
	PI	1.65	1.65	1.66	1.66	1.66	1.75	1.75	1.76	1.76	1.76	1.86	1.86	1.86	1.86	1.86	1.97	1.97	1.97	1.97	1.98
68°F	TC	27668	27705	27735	27736	27774	29335	29370	29399	29405	29440	31088	31128	31163	31169	31203	32961	32997	33033	33038	33079
	S/T	0.42	0.50	0.56	0.56	0.64	0.45	0.53	0.60	0.60	0.68	0.47	0.56	0.63	0.63	0.72	0.50	0.59	0.67	0.67	0.77
	PI	1.74	1.74	1.75	1.75	1.75	1.85	1.85	1.85	1.85	1.85	1.96	1.96	1.96	1.96	1.96	2.08	2.08	2.08	2.08	2.08
77°F	TC	27508	27545	27574	27576	27613	29165	29200	29229	29235	29269	30908	30948	30983	30988	31023	32770	32806	32842	32847	32888
	S/T	0.43	0.50	0.57	0.57	0.65	0.45	0.53	0.61	0.61	0.69	0.48	0.56	0.64	0.64	0.73	0.51	0.60	0.68	0.68	0.78
	PI	1.83	1.83	1.84	1.84	1.84	1.94	1.94	1.95	1.95	1.95	2.06	2.06	2.06	2.06	2.07	2.18	2.18	2.19	2.19	2.19
80°F	TC	27539	27576	27605	27607	27644	29198	29233	29262	29267	29302	30943	30983	31017	31023	31058	32807	32843	32878	32884	32924
	S/T	0.43	0.51	0.58	0.58	0.66	0.46	0.54	0.61	0.61	0.70	0.49	0.57	0.65	0.65	0.74	0.52	0.61	0.69	0.69	0.79
	PI	1.95	1.95	1.95	1.95	1.96	2.07	2.07	2.07	2.07	2.07	2.19	2.19	2.20	2.20	2.20	2.32	2.33	2.33	2.33	2.33
86°F	TC	27715	27752	27782	27783	27820	29385	29420	29449	29454	29489	31140	31181	31216	31221	31256	33017	33053	33088	33094	33135
	S/T	0.44	0.52	0.59	0.59	0.67	0.47	0.55	0.62	0.62	0.71	0.49	0.58	0.66	0.66	0.75	0.52	0.61	0.70	0.70	0.80
	PI	2.13	2.13	2.14	2.14	2.14	2.26	2.26	2.27	2.27	2.27	2.40	2.40	2.40	2.40	2.40	2.54	2.54	2.55	2.55	2.55
95°F	TC	28110	28148	28179	28180	28218	29804	29840	29869	29875	29911	31585	31626	31661	31667	31703	33488	33525	33561	33566	33608
	S/T	0.44	0.52	0.59	0.59	0.67	0.47	0.55	0.62	0.62	0.71	0.49	0.58	0.66	0.66	0.75	0.52	0.61	0.70	0.70	0.80
	PI	2.54	2.54	2.55	2.55	2.55	2.69	2.70	2.70	2.70	2.70	2.85	2.86	2.86	2.86	2.87	3.03	3.03	3.03	3.03	3.04
104°F	TC	26239	26275	26303	26304	26340	27821	27854	27881	27887	27920	29483	29521	29554	29560	29593	31259	31293	31327	31332	31371
	S/T	0.45	0.53	0.60	0.60	0.68	0.48	0.56	0.64	0.64	0.73	0.51	0.59	0.67	0.67	0.77	0.54	0.63	0.71	0.71	0.81
	PI	2.85	2.86	2.86	2.86	2.86	3.03	3.03	3.03	3.03	3.04	3.21	3.21	3.21	3.22	3.22	3.40	3.40	3.41	3.41	3.41
110°F	TC	25117	25151	25178	25179	25213	26631	26662	26688	26694	26725	28222	28258	28290	28295	28327	29922	29954	29987	29992	30029
	S/T	0.47	0.55	0.62	0.62	0.71	0.49	0.58	0.66	0.66	0.75	0.52	0.62	0.70	0.70	0.80	0.56	0.65	0.74	0.74	0.84
	PI	3.04	3.05	3.05	3.05	3.05	3.23	3.23	3.23	3.23	3.24	3.42	3.42	3.43	3.43	3.43	3.62	3.63	3.63	3.63	3.64
115°F	TC	19623	19649	19670	19671	19697	20805	20830	20850	20854	20879	22048	22077	22101	22105	22130	23376	23402	23427	23431	23460
	S/T	0.47	0.55	0.63	0.63	0.72	0.50	0.59	0.67	0.67	0.76	0.53	0.62	0.71	0.71	0.81	0.56	0.66	0.75	0.75	0.85
	PI	2.44	2.44	2.45	2.45	2.45	2.59	2.59	2.59	2.59	2.60	2.74	2.75	2.75	2.75	2.75	2.91	2.91	2.91	2.91	2.92
122°F	TC	12297	12313	12327	12327	12344	13038	13053	13066	13069	13084	13817	13835	13850	13853	13868	14649	14665	14681	14683	14702
	S/T	0.48	0.57	0.64	0.64	0.73	0.51	0.60	0.68	0.68	0.78	0.54	0.64	0.72	0.72	0.83	0.58	0.68	0.77	0.77	0.87
	PI	1.64	1.64	1.64	1.64	1.64	1.74	1.74	1.74	1.74	1.74	1.84	1.84	1.85	1.85	1.85	1.95	1.95	1.96	1.96	1.96

36CCHP-HH-SYS-B Expanded Cooling @ 853 CFM

OD DB	ID WB (°F)	60.8 °F					64.4°F					67.0°F					71.6°F				
	ID DB (°F)	73.4 °F	77.0 °F	80.0 °F	80.6 °F	84.2 °F	73.4 °F	77.0 °F	80.0 °F	80.6 °F	84.2 °F	73.4 °F	77.0 °F	80.0 °F	80.6 °F	84.2 °F	73.4 °F	77.0 °F	80.0 °F	80.6 °F	84.2 °F
50°F	TC	29873	29913	29946	29947	29987	31674	31711	31742	31749	31786	33566	33609	33647	33653	33691	35588	35627	35666	35671	35716
	S/T	0.44	0.51	0.58	0.58	0.66	0.46	0.54	0.62	0.62	0.70	0.49	0.58	0.66	0.66	0.75	0.52	0.61	0.69	0.69	0.79
	PI	1.67	1.67	1.67	1.67	1.67	1.77	1.77	1.77	1.77	1.78	1.87	1.88	1.88	1.88	1.88	1.99	1.99	1.99	1.99	1.99
59°F	TC	29702	29742	29774	29776	29816	31492	31530	31561	31567	31605	33374	33417	33454	33461	33498	35385	35423	35462	35467	35511
	S/T	0.44	0.52	0.59	0.59	0.67	0.47	0.55	0.62	0.62	0.71	0.49	0.58	0.66	0.66	0.75	0.52	0.61	0.70	0.70	0.80
	PI	1.76	1.77	1.77	1.77	1.77	1.87	1.87	1.87	1.87	1.88	1.98	1.98	1.99	1.99	1.99	2.10	2.10	2.11	2.11	2.11
68°F	TC	29531	29571	29603	29604	29644	31311	31348	31379	31385	31423	33182	33225	33262	33268	33305	35181	35219	35258	35263	35307
	S/T	0.45	0.53	0.60	0.60	0.69	0.48	0.56	0.64	0.64	0.73	0.51	0.59	0.68	0.68	0.77	0.54	0.63	0.72	0.72	0.82
	PI	1.86	1.86	1.86	1.86	1.87	1.97	1.97	1.98	1.98	1.98	2.09	2.09	2.09	2.09	2.10	2.22	2.22	2.22	2.22	2.22
77°F	TC	29361	29400	29432	29433	29473	31130	31167	31198	31204	31241	32990	33033	33070	33076	33113	34978	35016	35054	35059	35103
	S/T	0.46	0.54	0.61	0.61	0.69	0.48	0.57	0.65	0.65	0.74	0.51	0.60	0.68	0.68	0.78	0.54	0.64	0.73	0.73	0.83
	PI	1.95	1.96	1.96	1.96	1.96	2.07	2.08	2.08	2.08	2.08	2.20	2.20	2.20	2.20	2.20	2.33	2.33	2.33	2.33	2.34
80°F	TC	29394	29433	29465	29466	29506	31165	31202	31233	31239	31276	33027	33070	33107	33113	33150	35017	35055	35093	35099	35142
	S/T	0.46	0.54	0.62	0.62	0.70	0.49	0.58	0.65	0.65	0.75	0.52	0.61	0.69	0.69	0.79	0.55	0.65	0.74	0.74	0.84
	PI	2.08	2.08	2.09	2.09	2.09	2.21	2.21	2.21	2.21	2.21	2.34	2.34	2.34	2.34	2.35	2.48	2.48	2.48	2.49	2.49
86°F	TC	29581	29621	29653	29654	29694	31364	31401	31432	31438	31476	33238	33281	33318	33324	33362	35241	35279	35317	35323	35367
	S/T	0.47	0.55	0.62	0.63	0.71	0.50	0.58	0.66	0.66	0.76	0.53	0.62	0.70	0.70	0.80	0.56	0.66	0.74	0.74	0.85
	PI	2.28	2.28	2.28	2.28	2.28	2.41	2.42	2.42	2.42	2.42	2.56	2.56	2.56	2.56	2.57	2.71	2.71	2.72	2.72	2.72
95°F	TC	30004	30044	30077	30078	30118	31812	31850	31881	31887	31925	33713	33756	33794	33800	33838	35744	35783	35822	35827	35872
	S/T	0.47	0.55	0.62	0.63	0.71	0.50	0.58	0.66	0.66	0.76	0.53	0.62	0.70	0.70	0.80	0.56	0.66	0.74	0.74	0.85
	PI	2.71	2.72	2.72	2.72	2.72	2.88	2.88	2.88	2.88	2.89	3.05	3.05	3.05	3.06	3.06	3.23	3.23	3.24	3.24	3.24
104°F	TC	28007	28045	28075	28076	28114	29695	29730	29759	29765	29800	31469	31510	31545	31551	31586	33365	33401	33437	33443	33484
	S/T	0.48	0.56	0.64	0.64	0.73	0.51	0.60	0.68	0.68	0.77	0.54	0.63	0.72	0.72	0.82	0.57	0.67	0.76	0.76	0.87
	PI	3.05	3.05	3.05	3.05	3.06	3.23	3.23	3.24	3.24	3.24	3.42	3.43	3.43	3.43	3.44	3.63	3.63	3.64	3.64	3.64
110°F	TC	26809	26845	26874	26875	26911	28424	28458	28486	28492	28525	30122	30162	30195	30201	30235	31937	31972	32007	32012	32052
	S/T	0.50	0.58	0.66	0.66	0.76	0.53	0.62	0.70	0.70	0.80	0.56	0.66	0.75	0.75	0.85	0.59	0.70	0.79	0.79	0.90
	PI	3.25	3.25	3.25	3.25	3.26	3.44	3.45	3.45	3.45	3.45	3.65	3.65	3.66	3.66	3.66	3.87	3.87	3.88	3.88	3.88
115°F	TC	20944	20972	20995	20996	21024	22206	22233	22255	22259	22286	23533	23564	23590	23594	23621	24951	24978	25005	25009	25040
	S/T	0.50	0.59	0.67	0.67	0.77	0.53	0.63	0.71	0.71	0.81	0.57	0.66	0.75	0.75	0.86	0.60	0.70	0.80	0.80	0.91
	PI	2.60	2.61	2.61	2.61	2.61	2.76	2.76	2.77	2.77	2.77	2.93	2.93	2.93	2.93	2.94	3.10	3.11	3.11	3.11	3.11
122°F	TC	13125	13143	13157	13157	13175	13916	13933	13946	13949	13966	14747	14767	14783	14786	14802	15636	15653	15670	15672	15692
	S/T	0.52	0.60	0.69	0.69	0.78	0.55	0.64	0.73	0.73	0.83	0.58	0.68	0.77	0.77	0.88	0.61	0.72	0.82	0.82	0.93
	PI	1.75	1.75	1.75	1.75	1.76	1.85	1.86	1.86	1.86	1.86	1.96	1.97	1.97	1.97	1.97	2.08	2.09	2.09	2.09	2.09

36CCHP-HH-SYS-B Expanded Cooling @ 947 CFM

OD DB	ID WB (°F)	60.8 °F					64.4°F					67.0°F					71.6°F				
		ID DB (°F)	73.4 °F	77.0 °F	80.0 °F	80.6 °F	84.2 °F	73.4 °F	77.0 °F	80.0 °F	80.6 °F	84.2 °F	73.4 °F	77.0 °F	80.0 °F	80.6 °F	84.2 °F	73.4 °F	77.0 °F	80.0 °F	80.6 °F
50°F	TC	31885	31928	31963	31964	32007	33807	33847	33880	33887	33927	35827	35873	35913	35920	35960	37985	38027	38068	38074	38121
	S/T	0.47	0.55	0.62	0.62	0.71	0.49	0.58	0.66	0.66	0.75	0.52	0.62	0.70	0.70	0.80	0.56	0.65	0.74	0.74	0.84
	PI	1.78	1.78	1.79	1.79	1.79	1.89	1.89	1.89	1.89	1.89	2.00	2.00	2.01	2.01	2.01	2.12	2.12	2.13	2.13	2.13
59°F	TC	31703	31746	31780	31781	31824	33614	33653	33687	33693	33733	35622	35668	35708	35715	35754	37768	37809	37850	37856	37903
	S/T	0.47	0.55	0.63	0.63	0.71	0.50	0.58	0.66	0.66	0.76	0.53	0.62	0.70	0.70	0.80	0.56	0.66	0.74	0.74	0.85
	PI	1.88	1.89	1.89	1.89	1.89	2.00	2.00	2.00	2.00	2.00	2.12	2.12	2.12	2.12	2.12	2.24	2.25	2.25	2.25	2.25
68°F	TC	31521	31563	31597	31598	31641	33420	33460	33493	33499	33539	35417	35463	35502	35509	35549	37551	37592	37633	37638	37685
	S/T	0.48	0.57	0.64	0.64	0.73	0.51	0.60	0.68	0.68	0.78	0.54	0.63	0.72	0.72	0.82	0.57	0.67	0.76	0.76	0.87
	PI	1.98	1.99	1.99	1.99	1.99	2.10	2.11	2.11	2.11	2.11	2.23	2.23	2.24	2.24	2.24	2.36	2.37	2.37	2.37	2.37
77°F	TC	31338	31380	31414	31416	31458	33227	33266	33299	33306	33345	35212	35258	35297	35304	35343	37334	37374	37415	37421	37467
	S/T	0.49	0.57	0.65	0.65	0.74	0.52	0.61	0.69	0.69	0.79	0.55	0.64	0.73	0.73	0.83	0.58	0.68	0.77	0.77	0.88
	PI	2.09	2.09	2.09	2.09	2.09	2.21	2.21	2.22	2.22	2.22	2.34	2.35	2.35	2.35	2.35	2.49	2.49	2.49	2.49	2.49
80°F	TC	31373	31416	31449	31451	31493	33264	33304	33336	33343	33383	35252	35297	35337	35343	35383	37376	37416	37457	37463	37509
	S/T	0.49	0.58	0.66	0.66	0.75	0.52	0.61	0.70	0.70	0.80	0.56	0.65	0.74	0.74	0.84	0.59	0.69	0.78	0.78	0.89
	PI	2.22	2.22	2.23	2.23	2.23	2.36	2.36	2.36	2.36	2.36	2.50	2.50	2.50	2.50	2.51	2.65	2.65	2.65	2.65	2.66
86°F	TC	31574	31616	31650	31652	31695	33477	33516	33549	33556	33596	35477	35523	35562	35569	35609	37614	37655	37696	37702	37749
	S/T	0.50	0.59	0.67	0.67	0.76	0.53	0.62	0.71	0.71	0.81	0.56	0.66	0.75	0.75	0.85	0.60	0.70	0.79	0.79	0.91
	PI	2.43	2.43	2.43	2.43	2.44	2.58	2.58	2.58	2.58	2.58	2.73	2.73	2.74	2.74	2.74	2.89	2.90	2.90	2.90	2.90
95°F	TC	32025	32068	32102	32104	32147	33955	33995	34029	34035	34076	35983	36030	36070	36077	36117	38152	38193	38235	38241	38288
	S/T	0.50	0.59	0.67	0.67	0.76	0.53	0.62	0.71	0.71	0.81	0.56	0.66	0.75	0.75	0.85	0.60	0.70	0.79	0.79	0.91
	PI	2.89	2.90	2.90	2.90	2.91	3.07	3.07	3.08	3.08	3.08	3.25	3.26	3.26	3.26	3.26	3.45	3.45	3.46	3.46	3.46
104°F	TC	29893	29934	29966	29967	30008	31695	31732	31764	31770	31808	33588	33632	33670	33676	33713	35612	35651	35690	35695	35740
	S/T	0.51	0.60	0.68	0.68	0.78	0.54	0.64	0.72	0.72	0.83	0.58	0.68	0.77	0.77	0.88	0.61	0.72	0.81	0.81	0.93
	PI	3.25	3.26	3.26	3.26	3.26	3.45	3.45	3.45	3.46	3.46	3.65	3.66	3.66	3.66	3.67	3.87	3.88	3.88	3.88	3.89
110°F	TC	28614	28653	28684	28685	28724	30339	30375	30405	30411	30447	32151	32193	32229	32235	32271	34089	34126	34163	34168	34211
	S/T	0.53	0.62	0.71	0.71	0.81	0.56	0.66	0.75	0.75	0.86	0.60	0.70	0.80	0.80	0.91	0.63	0.74	0.84	0.84	0.96
	PI	3.47	3.47	3.47	3.47	3.48	3.67	3.68	3.68	3.68	3.69	3.89	3.90	3.90	3.90	3.91	4.13	4.13	4.14	4.14	4.14
115°F	TC	22355	22385	22409	22410	22440	23702	23730	23754	23758	23787	25118	25151	25179	25184	25212	26632	26661	26690	26694	26727
	S/T	0.54	0.63	0.72	0.72	0.82	0.57	0.67	0.76	0.76	0.87	0.60	0.71	0.81	0.81	0.92	0.64	0.75	0.85	0.85	0.97
	PI	2.78	2.78	2.79	2.79	2.79	2.95	2.95	2.95	2.95	2.96	3.12	3.13	3.13	3.13	3.14	3.31	3.32	3.32	3.32	3.32
122°F	TC	14009	14028	14043	14044	14063	14853	14871	14886	14889	14906	15741	15761	15779	15782	15799	16689	16707	16726	16728	16749
	S/T	0.55	0.65	0.73	0.73	0.84	0.58	0.68	0.78	0.78	0.89	0.62	0.73	0.82	0.82	0.94	0.66	0.77	0.87	0.87	1.00
	PI	1.87	1.87	1.87	1.87	1.87	1.98	1.98	1.98	1.98	1.99	2.10	2.10	2.10	2.10	2.10	2.22	2.23	2.23	2.23	2.23

36CCHP-HH-SYS-B Expanded Cooling @ 1,041 CFM

OD DB	ID WB (°F)	60.8 °F					64.4°F					67.0°F					71.6°F				
	ID DB (°F)	73.4 °F	77.0 °F	80.0 °F	80.6 °F	84.2 °F	73.4 °F	77.0 °F	80.0 °F	80.6 °F	84.2 °F	73.4 °F	77.0 °F	80.0 °F	80.6 °F	84.2 °F	73.4 °F	77.0 °F	80.0 °F	80.6 °F	84.2 °F
50°F	TC	34033	34079	34116	34117	34163	36084	36127	36163	36170	36213	38240	38290	38332	38340	38382	40544	40588	40632	40639	40689
	S/T	0.50	0.58	0.66	0.66	0.76	0.53	0.62	0.70	0.70	0.80	0.56	0.66	0.75	0.75	0.85	0.59	0.70	0.79	0.79	0.90
	PI	1.90	1.90	1.91	1.91	1.91	2.02	2.02	2.02	2.02	2.02	2.14	2.14	2.14	2.14	2.14	2.26	2.27	2.27	2.27	2.27
59°F	TC	33839	33884	33921	33922	33968	35878	35920	35956	35963	36006	38021	38071	38113	38120	38163	40312	40356	40400	40406	40456
	S/T	0.50	0.59	0.67	0.67	0.76	0.53	0.62	0.71	0.71	0.81	0.56	0.66	0.75	0.75	0.86	0.60	0.70	0.80	0.80	0.91
	PI	2.01	2.01	2.01	2.01	2.02	2.13	2.13	2.14	2.14	2.14	2.26	2.26	2.26	2.26	2.27	2.39	2.40	2.40	2.40	2.40
68°F	TC	33644	33689	33725	33727	33772	35671	35714	35749	35756	35798	37803	37852	37894	37901	37943	40080	40124	40167	40174	40224
	S/T	0.51	0.60	0.69	0.69	0.78	0.54	0.64	0.73	0.73	0.83	0.58	0.68	0.77	0.77	0.88	0.61	0.72	0.82	0.82	0.93
	PI	2.12	2.12	2.12	2.12	2.13	2.25	2.25	2.25	2.25	2.25	2.38	2.38	2.39	2.39	2.39	2.52	2.53	2.53	2.53	2.53
77°F	TC	33449	33494	33530	33532	33577	35465	35507	35542	35549	35591	37584	37633	37675	37682	37724	39848	39892	39935	39941	39991
	S/T	0.52	0.61	0.69	0.69	0.79	0.55	0.65	0.74	0.74	0.84	0.59	0.69	0.78	0.78	0.89	0.62	0.73	0.83	0.83	0.94
	PI	2.23	2.23	2.23	2.23	2.24	2.36	2.36	2.37	2.37	2.37	2.50	2.51	2.51	2.51	2.51	2.65	2.66	2.66	2.66	2.66
80°F	TC	33487	33532	33568	33569	33615	35505	35547	35582	35589	35631	37626	37675	37717	37724	37766	39893	39936	39980	39986	40036
	S/T	0.53	0.62	0.70	0.70	0.80	0.56	0.66	0.75	0.75	0.85	0.59	0.70	0.79	0.79	0.90	0.63	0.74	0.84	0.84	0.95
	PI	2.37	2.37	2.38	2.38	2.38	2.51	2.52	2.52	2.52	2.52	2.66	2.67	2.67	2.67	2.67	2.82	2.83	2.83	2.83	2.83
86°F	TC	33701	33746	33782	33784	33829	35732	35774	35809	35816	35859	37866	37916	37958	37965	38007	40148	40192	40235	40242	40292
	S/T	0.53	0.63	0.71	0.71	0.81	0.57	0.66	0.75	0.75	0.86	0.60	0.70	0.80	0.80	0.91	0.64	0.75	0.85	0.85	0.97
	PI	2.59	2.60	2.60	2.60	2.60	2.75	2.75	2.75	2.76	2.76	2.91	2.92	2.92	2.92	2.92	3.09	3.09	3.09	3.10	3.10
95°F	TC	34182	34228	34265	34266	34313	36242	36285	36321	36328	36371	38407	38457	38500	38507	38550	40721	40766	40810	40816	40867
	S/T	0.53	0.63	0.71	0.71	0.81	0.57	0.66	0.75	0.75	0.86	0.60	0.70	0.80	0.80	0.91	0.64	0.75	0.85	0.85	0.97
	PI	3.09	3.09	3.10	3.10	3.10	3.28	3.28	3.28	3.28	3.29	3.47	3.48	3.48	3.48	3.48	3.68	3.68	3.69	3.69	3.69
104° F	TC	31907	31950	31984	31986	32029	33830	33870	33903	33910	33950	35851	35897	35938	35944	35984	38011	38052	38094	38100	38147
	S/T	0.55	0.64	0.73	0.73	0.83	0.58	0.68	0.77	0.77	0.88	0.62	0.72	0.82	0.82	0.93	0.65	0.76	0.87	0.87	0.99
	PI	3.47	3.48	3.48	3.48	3.48	3.68	3.68	3.69	3.69	3.69	3.90	3.90	3.91	3.91	3.91	4.13	4.14	4.14	4.14	4.15
110° F	TC	30542	30583	30616	30617	30659	32382	32421	32453	32459	32498	34317	34362	34400	34406	34445	36385	36424	36464	36470	36515
	S/T	0.57	0.67	0.76	0.76	0.86	0.60	0.71	0.80	0.80	0.91	0.64	0.75	0.85	0.85	0.97	0.68	0.79	0.90	0.90	1.00
	PI	3.70	3.70	3.71	3.71	3.71	3.92	3.93	3.93	3.93	3.94	4.16	4.16	4.17	4.17	4.17	4.41	4.41	4.42	4.42	4.42
115° F	TC	23861	23893	23919	23920	23952	25299	25329	25354	25359	25389	26810	26845	26875	26880	26910	28426	28457	28487	28492	28527
	S/T	0.57	0.67	0.77	0.77	0.87	0.61	0.71	0.81	0.81	0.92	0.65	0.76	0.86	0.86	0.98	0.68	0.80	0.91	0.91	1.00
	PI	2.97	2.97	2.97	2.97	2.98	3.15	3.15	3.15	3.15	3.16	3.33	3.34	3.34	3.34	3.35	3.54	3.54	3.54	3.54	3.55
122° F	TC	14953	14973	14989	14990	15010	15854	15873	15888	15891	15910	16801	16823	16842	16845	16864	17813	17833	17852	17855	17877
	S/T	0.59	0.69	0.78	0.78	0.89	0.62	0.73	0.83	0.83	0.95	0.66	0.77	0.88	0.88	1.00	0.70	0.82	0.93	0.93	1.00
	PI	1.99	1.99	2.00	2.00	2.00	2.11	2.11	2.12	2.12	2.12	2.24	2.24	2.24	2.24	2.25	2.37	2.38	2.38	2.38	2.38

36CCHP-HH-SYS-B Expanded Heating @ 753 CFM

CFM	HEATING PERFORMANCE AT INDOOR DRY BULB TEMPERATURE										
	OD DB (°F)	TC : Total Heating Capacity(BTU/hr)					PI : Power Input(kW)				
		Indoor Conditions (DB °F)					Indoor Conditions (DB °F)				
		60.8°F	68°F	70°F	71.6°F	75.2°F	60.8°F	68°F	70°F	71.6°F	75.2°F
753	-22°F	15570	15259	15182	15417	15279	3.70	3.73	3.74	3.75	3.76
	-13°F	24036	23555	23438	22885	22679	4.98	5.02	5.03	5.04	5.06
	-4°F	25386	24878	24753	24170	23952	4.61	4.64	4.65	4.66	4.68
	0°F	27972	27412	27275	26632	26393	4.93	4.97	4.98	4.99	5.01
	5°F	31205	30581	30428	29710	29443	5.34	5.39	5.40	5.41	5.43
	14°F	37024	36284	36102	35251	34934	5.83	5.88	5.89	5.90	5.93
	17°F	38964	38185	37994	37098	36764	5.99	6.04	6.05	6.07	6.09
	22°F	37712	36958	36773	35906	35583	5.55	5.59	5.60	5.62	5.64
	27°F	36460	35730	35552	34714	34401	5.10	5.14	5.15	5.16	5.19
	32°F	35208	34503	34331	33522	33220	4.66	4.70	4.70	4.71	4.73
	35°F	34456	33767	33598	32806	32511	4.39	4.43	4.43	4.44	4.46
	37°F	34983	34283	34112	33307	33008	4.32	4.36	4.37	4.38	4.39
	42°F	36299	35573	35395	34560	34249	4.16	4.19	4.20	4.21	4.23
	44.6°F	36825	36088	35908	35061	34746	4.09	4.13	4.14	4.14	4.16
	47°F	37614	36862	36678	35813	35491	4.00	4.03	4.04	4.04	4.06
	52°F	36727	35993	35813	34968	34654	3.61	3.64	3.65	3.65	3.67
	57°F	35840	35123	34947	34123	33816	3.22	3.25	3.26	3.26	3.28
59°F	35485	34775	34601	33785	33481	3.07	3.10	3.10	3.11	3.12	
62°F	34952	34253	34082	33278	32979	2.84	2.86	2.87	2.87	2.89	
64.4°F	34597	33905	33736	32940	32644	2.68	2.71	2.71	2.72	2.73	

36CCHP-HH-SYS-B Expanded Heating @ 853 CFM

CFM	HEATING PERFORMANCE AT INDOOR DRY BULB TEMPERATURE										
	OD DB (°F)	TC : Total Heating Capacity(BTU/hr)					PI : Power Input(kW)				
		Indoor Conditions (DB °F)					Indoor Conditions (DB °F)				
		60.8°F	68°F	70°F	71.6°F	75.2°F	60.8°F	68°F	70°F	71.6°F	75.2°F
853	-22°F	16948	16609	16526	16620	16470	3.74	3.77	3.78	3.79	3.80
	-13°F	25655	25142	25016	24670	24448	5.03	5.07	5.08	5.10	5.12
	-4°F	27095	26554	26421	26055	25821	4.65	4.69	4.70	4.71	4.73
	0°F	29856	29259	29113	28710	28451	4.98	5.02	5.03	5.04	5.06
	5°F	33307	32641	32477	32028	31740	5.40	5.44	5.45	5.46	5.48
	14°F	39518	38728	38534	38001	37659	5.89	5.94	5.95	5.96	5.99
	17°F	41588	40757	40553	39992	39632	6.05	6.10	6.12	6.13	6.15
	22°F	40252	39447	39250	38707	38358	5.60	5.65	5.66	5.67	5.70
	27°F	38916	38137	37947	37421	37085	5.15	5.20	5.21	5.22	5.24
	32°F	37579	36827	36643	36136	35811	4.70	4.74	4.75	4.76	4.78
	35°F	36777	36042	35861	35365	35047	4.43	4.47	4.48	4.49	4.51
	37°F	37339	36592	36409	35906	35582	4.37	4.40	4.41	4.42	4.44
	42°F	38744	37969	37779	37256	36921	4.20	4.24	4.24	4.25	4.27
	44.6°F	39305	38519	38327	37796	37456	4.14	4.17	4.18	4.19	4.20
	47°F	40148	39345	39148	38607	38259	4.04	4.07	4.08	4.09	4.10
	52°F	39201	38417	38225	37696	37357	3.65	3.68	3.68	3.69	3.71
	57°F	38254	37489	37301	36785	36454	3.26	3.28	3.29	3.30	3.31
59°F	37875	37117	36932	36421	36093	3.10	3.13	3.13	3.14	3.15	
62°F	37307	36560	36378	35874	35551	2.87	2.89	2.90	2.90	2.91	
64.4°F	36928	36189	36008	35510	35190	2.71	2.73	2.74	2.74	2.76	

36CCHP-HH-SYS-B Expanded Heating @ 947 CFM

CFM	HEATING PERFORMANCE AT INDOOR DRY BULB TEMPERATURE										
	OD DB (°F)	TC : Total Heating Capacity(BTU/hr)					PI : Power Input(kW)				
		Indoor Conditions (DB °F)					Indoor Conditions (DB °F)				
		60.8°F	68°F	70°F	71.6°F	75.2°F	60.8°F	68°F	70°F	71.6°F	75.2°F
947	-22°F	18448	18079	17988	17916	17755	3.78	3.81	3.82	3.82	3.84
	-13°F	27383	26836	26701	26595	26355	5.08	5.13	5.14	5.15	5.17
	-4°F	28921	28342	28200	28088	27835	4.70	4.74	4.75	4.76	4.78
	0°F	31867	31230	31074	30949	30671	5.03	5.07	5.08	5.09	5.11
	5°F	35550	34839	34665	34526	34216	5.45	5.49	5.51	5.52	5.54
	14°F	42180	41336	41130	40965	40596	5.95	6.00	6.01	6.02	6.05
	17°F	44390	43502	43284	43111	42723	6.12	6.17	6.18	6.19	6.21
	22°F	42963	42104	41893	41726	41350	5.66	5.71	5.72	5.73	5.75
	27°F	41537	40706	40503	40341	39977	5.21	5.25	5.26	5.27	5.29
	32°F	40110	39308	39112	38955	38605	4.75	4.79	4.80	4.81	4.83
	35°F	39254	38469	38277	38124	37781	4.48	4.52	4.52	4.53	4.55
	37°F	39854	39057	38862	38706	38358	4.41	4.45	4.46	4.47	4.48
	42°F	41353	40526	40324	40162	39801	4.24	4.28	4.29	4.30	4.31
	44.6°F	41953	41114	40908	40745	40378	4.18	4.21	4.22	4.23	4.25
	47°F	42852	41995	41785	41618	41244	4.08	4.11	4.12	4.13	4.14
	52°F	41841	41005	40800	40636	40271	3.68	3.71	3.72	3.73	3.74
	57°F	40830	40014	39814	39655	39298	3.29	3.32	3.32	3.33	3.34
59°F	40426	39618	39419	39262	38908	3.13	3.16	3.16	3.17	3.18	
62°F	39819	39023	38828	38673	38325	2.90	2.92	2.93	2.93	2.94	
64.4°F	39415	38627	38434	38280	37935	2.74	2.76	2.77	2.77	2.78	

36CCHP-HH-SYS-B Expanded Heating @ 1,041 CFM

CFM	HEATING PERFORMANCE AT INDOOR DRY BULB TEMPERATURE										
	OD DB (°F)	TC : Total Heating Capacity(BTU/hr)					PI : Power Input(kW)				
		Indoor Conditions (DB °F)					Indoor Conditions (DB °F)				
		60.8°F	68°F	70°F	71.6°F	75.2°F	60.8°F	68°F	70°F	71.6°F	75.2°F
1041	-22°F	19690	19296	19200	19123	18951	3.82	3.85	3.85	3.86	3.88
	-13°F	29228	28643	28500	28386	28131	5.14	5.18	5.19	5.20	5.22
	-4°F	30869	30251	30100	29980	29710	4.75	4.78	4.79	4.80	4.82
	0°F	34014	33333	33167	33034	32737	5.08	5.12	5.14	5.15	5.17
	5°F	37945	37186	37000	36852	36520	5.51	5.55	5.56	5.57	5.59
	14°F	45021	44121	43900	43724	43331	6.01	6.06	6.07	6.08	6.11
	17°F	47380	46432	46200	46015	45601	6.18	6.23	6.24	6.25	6.28
	22°F	45857	44940	44715	44536	44136	5.72	5.76	5.78	5.79	5.81
	27°F	44335	43448	43231	43058	42670	5.26	5.30	5.31	5.32	5.34
	32°F	42812	41956	41746	41579	41205	4.80	4.84	4.85	4.86	4.88
	35°F	41899	41061	40855	40692	40326	4.52	4.56	4.57	4.58	4.60
	37°F	42539	41688	41479	41313	40942	4.46	4.49	4.50	4.51	4.53
	42°F	44139	43256	43040	42868	42482	4.29	4.32	4.33	4.34	4.36
	44.6°F	44779	43883	43664	43489	43098	4.22	4.25	4.26	4.27	4.29
	47°F	45739	44824	44600	44422	44022	4.12	4.15	4.16	4.17	4.19
	52°F	44660	43767	43548	43374	42983	3.72	3.75	3.76	3.77	3.78
	57°F	43581	42709	42496	42326	41945	3.32	3.35	3.36	3.36	3.38
59°F	43149	42286	42075	41906	41529	3.16	3.19	3.20	3.20	3.22	
62°F	42502	41652	41443	41278	40906	2.93	2.95	2.96	2.96	2.97	
64.4°F	42070	41229	41022	40858	40491	2.77	2.79	2.80	2.80	2.81	

TC:Total Cooling Capacity (BTU/hr)

S/T:Sensible Cooling Capacity Ratio

PI:Power Input(kW)

48CCHP-HH-SYS-B Expanded Cooling @ 806 CFM

OD DB	ID WB (°F)	60.8 °F					64.4°F					67.0°F					71.6°F				
		ID DB (°F)	73.4 °F	77.0 °F	80.0 °F	80.6 °F	84.2 °F	73.4 °F	77.0 °F	80.0 °F	80.6 °F	84.2 °F	73.4 °F	77.0 °F	80.0 °F	80.6 °F	84.2 °F	73.4 °F	77.0 °F	80.0 °F	80.6 °F
50°F	TC	43187	43245	43292	43294	43352	45790	45844	45889	45898	45953	48526	48589	48643	48652	48706	51449	51505	51561	51569	51634
	S/T	0.40	0.47	0.54	0.54	0.61	0.43	0.50	0.57	0.57	0.65	0.45	0.53	0.60	0.60	0.69	0.48	0.56	0.64	0.64	0.73
	PI	2.76	2.76	2.77	2.77	2.77	2.93	2.93	2.93	2.93	2.94	3.10	3.10	3.11	3.11	3.11	3.29	3.29	3.29	3.29	3.30
59°F	TC	41013	41069	41113	41115	41170	43485	43537	43580	43588	43640	46083	46143	46194	46203	46255	48860	48913	48966	48974	49035
	S/T	0.41	0.48	0.54	0.54	0.62	0.43	0.50	0.57	0.57	0.65	0.46	0.53	0.61	0.61	0.69	0.48	0.57	0.64	0.64	0.73
	PI	2.72	2.72	2.72	2.72	2.73	2.88	2.88	2.89	2.89	2.89	3.05	3.06	3.06	3.06	3.06	3.24	3.24	3.24	3.24	3.25
68°F	TC	38840	38892	38934	38936	38988	41180	41229	41270	41278	41327	43641	43697	43746	43754	43803	46270	46321	46371	46378	46436
	S/T	0.42	0.49	0.55	0.55	0.63	0.44	0.52	0.59	0.59	0.67	0.47	0.55	0.62	0.62	0.71	0.50	0.58	0.66	0.66	0.75
	PI	2.67	2.68	2.68	2.68	2.68	2.83	2.84	2.84	2.84	2.84	3.00	3.01	3.01	3.01	3.01	3.18	3.19	3.19	3.19	3.20
77°F	TC	36666	36715	36755	36757	36806	38876	38922	38960	38968	39014	41198	41252	41298	41306	41352	43681	43728	43776	43783	43837
	S/T	0.42	0.49	0.56	0.56	0.64	0.45	0.52	0.60	0.60	0.68	0.47	0.56	0.63	0.63	0.72	0.50	0.59	0.67	0.67	0.76
	PI	2.63	2.63	2.64	2.64	2.64	2.79	2.79	2.79	2.80	2.80	2.96	2.96	2.96	2.96	2.97	3.13	3.14	3.14	3.14	3.14
80°F	TC	36179	36228	36267	36268	36317	38359	38405	38443	38450	38496	40651	40704	40749	40757	40802	43100	43147	43194	43201	43255
	S/T	0.43	0.50	0.57	0.57	0.65	0.45	0.53	0.60	0.60	0.69	0.48	0.56	0.64	0.64	0.73	0.51	0.60	0.68	0.68	0.77
	PI	2.81	2.82	2.82	2.82	2.82	2.98	2.99	2.99	2.99	2.99	3.16	3.16	3.17	3.17	3.17	3.35	3.35	3.36	3.36	3.36
86°F	TC	36698	36748	36787	36789	36839	38910	38956	38995	39002	39049	41235	41288	41334	41342	41388	43719	43767	43814	43821	43876
	S/T	0.43	0.51	0.58	0.58	0.66	0.46	0.54	0.61	0.61	0.70	0.49	0.57	0.65	0.65	0.74	0.51	0.60	0.69	0.69	0.78
	PI	3.22	3.22	3.23	3.23	3.23	3.41	3.42	3.42	3.42	3.42	3.62	3.62	3.62	3.63	3.63	3.83	3.84	3.84	3.84	3.85
95°F	TC	37867	37918	37959	37961	38012	40149	40197	40236	40244	40292	42548	42603	42651	42659	42706	45111	45160	45210	45217	45273
	S/T	0.43	0.51	0.58	0.58	0.66	0.46	0.54	0.61	0.61	0.70	0.49	0.57	0.65	0.65	0.74	0.51	0.60	0.69	0.69	0.78
	PI	4.13	4.14	4.14	4.14	4.15	4.38	4.39	4.39	4.39	4.40	4.64	4.65	4.65	4.65	4.66	4.92	4.93	4.93	4.93	4.94
104°F	TC	31580	31622	31656	31658	31701	33483	33523	33556	33562	33602	35483	35530	35569	35576	35615	37621	37662	37703	37709	37756
	S/T	0.44	0.52	0.59	0.59	0.67	0.47	0.55	0.63	0.63	0.71	0.50	0.58	0.66	0.66	0.76	0.53	0.62	0.70	0.70	0.80
	PI	3.54	3.54	3.55	3.55	3.55	3.75	3.75	3.76	3.76	3.76	3.97	3.98	3.98	3.98	3.99	4.21	4.22	4.22	4.22	4.23
110°F	TC	27808	27845	27875	27876	27914	29483	29518	29547	29553	29588	31245	31285	31320	31326	31361	33127	33163	33199	33205	33246
	S/T	0.46	0.54	0.61	0.61	0.70	0.49	0.57	0.65	0.65	0.74	0.52	0.61	0.69	0.69	0.78	0.55	0.64	0.73	0.73	0.83
	PI	3.18	3.18	3.19	3.19	3.19	3.37	3.38	3.38	3.38	3.38	3.57	3.58	3.58	3.58	3.59	3.79	3.79	3.80	3.80	3.80
115°F	TC	20222	20249	20271	20272	20299	21441	21466	21487	21492	21517	22722	22751	22777	22781	22806	24091	24117	24143	24147	24177
	S/T	0.46	0.55	0.62	0.62	0.71	0.49	0.58	0.66	0.66	0.75	0.52	0.61	0.70	0.70	0.79	0.55	0.65	0.74	0.74	0.84
	PI	2.46	2.46	2.47	2.47	2.47	2.61	2.61	2.62	2.62	2.62	2.77	2.77	2.77	2.77	2.78	2.93	2.94	2.94	2.94	2.94
122°F	TC	10108	10122	10133	10133	10147	10717	10730	10741	10743	10756	11358	11372	11385	11387	11400	12042	12055	12068	12070	12085
	S/T	0.48	0.56	0.63	0.63	0.72	0.50	0.59	0.67	0.67	0.77	0.53	0.63	0.71	0.71	0.81	0.57	0.66	0.75	0.75	0.86
	PI	1.50	1.51	1.51	1.51	1.51	1.59	1.60	1.60	1.60	1.60	1.69	1.69	1.69	1.69	1.70	1.79	1.79	1.80	1.80	1.80

48CCHP-HH-SYS-B Expanded Cooling @ 1,024 CFM

OD DB	ID WB (°F)	60.8 °F					64.4°F					67.0°F					71.6°F				
		ID DB (°F)	73.4 °F	77.0 °F	80.0 °F	80.6 °F	84.2 °F	73.4 °F	77.0 °F	80.0 °F	80.6 °F	84.2 °F	73.4 °F	77.0 °F	80.0 °F	80.6 °F	84.2 °F	73.4 °F	77.0 °F	80.0 °F	80.6 °F
50°F	TC	46343	46405	46455	46457	46520	49136	49194	49243	49252	49311	52071	52139	52197	52207	52265	55209	55269	55329	55337	55406
	S/T	0.43	0.51	0.58	0.58	0.66	0.46	0.54	0.61	0.61	0.70	0.49	0.57	0.65	0.65	0.74	0.52	0.60	0.69	0.69	0.78
	PI	2.96	2.96	2.97	2.97	2.97	3.14	3.14	3.15	3.15	3.15	3.33	3.33	3.33	3.34	3.34	3.53	3.53	3.54	3.54	3.54
59°F	TC	44010	44070	44117	44119	44178	46663	46718	46764	46773	46829	49450	49515	49570	49579	49634	52430	52487	52544	52552	52618
	S/T	0.43	0.51	0.58	0.58	0.66	0.46	0.54	0.61	0.61	0.70	0.49	0.57	0.65	0.65	0.74	0.52	0.61	0.69	0.69	0.79
	PI	2.91	2.92	2.92	2.92	2.93	3.09	3.09	3.10	3.10	3.10	3.28	3.28	3.28	3.28	3.29	3.47	3.48	3.48	3.48	3.48
68°F	TC	41678	41734	41779	41781	41837	44190	44242	44286	44294	44347	46830	46890	46943	46951	47004	49651	49705	49759	49767	49829
	S/T	0.45	0.52	0.60	0.60	0.68	0.47	0.56	0.63	0.63	0.72	0.50	0.59	0.67	0.67	0.76	0.53	0.62	0.71	0.71	0.81
	PI	2.87	2.87	2.88	2.88	2.88	3.04	3.04	3.05	3.05	3.05	3.22	3.23	3.23	3.23	3.24	3.42	3.42	3.42	3.43	3.43
77°F	TC	39345	39398	39441	39442	39496	41716	41766	41807	41815	41865	44209	44266	44316	44324	44373	46872	46923	46974	46982	47040
	S/T	0.45	0.53	0.60	0.60	0.69	0.48	0.56	0.64	0.64	0.73	0.51	0.60	0.68	0.68	0.77	0.54	0.63	0.72	0.72	0.82
	PI	2.82	2.83	2.83	2.83	2.83	2.99	3.00	3.00	3.00	3.00	3.17	3.18	3.18	3.18	3.18	3.36	3.37	3.37	3.37	3.37
80°F	TC	38823	38875	38917	38918	38971	41162	41211	41252	41260	41309	43621	43678	43727	43735	43784	46250	46300	46350	46358	46415
	S/T	0.46	0.54	0.61	0.61	0.70	0.49	0.57	0.65	0.65	0.74	0.51	0.60	0.69	0.69	0.78	0.55	0.64	0.73	0.73	0.83
	PI	3.02	3.02	3.03	3.03	3.03	3.20	3.20	3.21	3.21	3.21	3.39	3.40	3.40	3.40	3.40	3.60	3.60	3.60	3.60	3.61
86°F	TC	39380	39433	39475	39477	39530	41753	41803	41844	41852	41902	44248	44305	44355	44363	44412	46914	46965	47016	47023	47082
	S/T	0.46	0.54	0.62	0.62	0.70	0.49	0.58	0.66	0.66	0.75	0.52	0.61	0.69	0.69	0.79	0.55	0.65	0.74	0.74	0.84
	PI	3.45	3.46	3.46	3.46	3.47	3.66	3.67	3.67	3.67	3.67	3.88	3.89	3.89	3.89	3.89	4.11	4.12	4.12	4.12	4.13
95°F	TC	40634	40689	40733	40734	40789	43083	43134	43177	43185	43236	45657	45716	45767	45776	45827	48408	48460	48513	48521	48581
	S/T	0.46	0.54	0.62	0.62	0.70	0.49	0.58	0.66	0.66	0.75	0.52	0.61	0.69	0.69	0.79	0.55	0.65	0.74	0.74	0.84
	PI	4.43	4.44	4.44	4.44	4.45	4.70	4.71	4.71	4.71	4.72	4.98	4.99	4.99	4.99	5.00	5.28	5.29	5.29	5.29	5.30
104°F	TC	33887	33933	33970	33971	34017	35930	35972	36008	36015	36058	38076	38126	38168	38175	38218	40370	40414	40458	40465	40515
	S/T	0.48	0.56	0.63	0.63	0.72	0.50	0.59	0.67	0.67	0.77	0.53	0.63	0.71	0.71	0.81	0.57	0.66	0.75	0.75	0.86
	PI	3.80	3.80	3.80	3.80	3.81	4.02	4.03	4.03	4.03	4.04	4.26	4.27	4.27	4.28	4.28	4.52	4.53	4.53	4.53	4.54
110°F	TC	29839	29880	29912	29913	29953	31638	31675	31706	31713	31750	33528	33571	33609	33615	33653	35548	35587	35625	35631	35675
	S/T	0.49	0.58	0.66	0.66	0.75	0.52	0.61	0.70	0.70	0.79	0.55	0.65	0.74	0.74	0.84	0.59	0.69	0.78	0.78	0.89
	PI	3.41	3.42	3.42	3.42	3.43	3.62	3.62	3.63	3.63	3.63	3.83	3.84	3.84	3.84	3.85	4.07	4.07	4.07	4.07	4.08
115°F	TC	21700	21729	21752	21753	21783	23007	23035	23057	23062	23089	24382	24414	24441	24445	24473	25851	25879	25907	25911	25944
	S/T	0.50	0.58	0.66	0.66	0.76	0.53	0.62	0.70	0.70	0.80	0.56	0.66	0.75	0.75	0.85	0.59	0.70	0.79	0.79	0.90
	PI	2.64	2.65	2.65	2.65	2.65	2.80	2.80	2.81	2.81	2.81	2.97	2.97	2.98	2.98	2.98	3.15	3.15	3.15	3.15	3.16
122°F	TC	10847	10861	10873	10874	10888	11501	11514	11525	11528	11541	12188	12203	12217	12219	12233	12922	12936	12950	12952	12968
	S/T	0.51	0.60	0.68	0.68	0.78	0.54	0.63	0.72	0.72	0.82	0.57	0.67	0.76	0.76	0.87	0.61	0.71	0.81	0.81	0.92
	PI	1.61	1.62	1.62	1.62	1.62	1.71	1.71	1.71	1.72	1.72	1.81	1.82	1.82	1.82	1.82	1.92	1.92	1.93	1.93	1.93

48CCHP-HH-SYS-B Expanded Cooling @ 1,118 CFM

OD DB	ID WB (°F)	60.8 °F					64.4°F					67.0°F					71.6°F				
		ID DB (°F)	73.4 °F	77.0 °F	80.0 °F	80.6 °F	84.2 °F	73.4 °F	77.0 °F	80.0 °F	80.6 °F	84.2 °F	73.4 °F	77.0 °F	80.0 °F	80.6 °F	84.2 °F	73.4 °F	77.0 °F	80.0 °F	80.6 °F
50°F	TC	49729	49796	49850	49852	49919	52726	52789	52841	52851	52914	55876	55949	56011	56022	56084	59243	59307	59372	59381	59455
	S/T	0.46	0.54	0.62	0.62	0.71	0.49	0.58	0.66	0.66	0.75	0.52	0.61	0.70	0.70	0.79	0.55	0.65	0.74	0.74	0.84
	PI	3.18	3.18	3.18	3.19	3.19	3.37	3.37	3.38	3.38	3.38	3.57	3.57	3.58	3.58	3.58	3.79	3.79	3.79	3.79	3.80
59°F	TC	47226	47290	47341	47343	47407	50072	50132	50181	50191	50251	53064	53133	53192	53202	53261	56261	56322	56384	56392	56463
	S/T	0.47	0.55	0.62	0.62	0.71	0.49	0.58	0.66	0.66	0.75	0.52	0.62	0.70	0.70	0.80	0.56	0.65	0.74	0.74	0.84
	PI	3.13	3.13	3.14	3.14	3.14	3.32	3.32	3.32	3.32	3.33	3.51	3.52	3.52	3.52	3.53	3.73	3.73	3.73	3.73	3.74
68°F	TC	44723	44783	44832	44834	44894	47419	47475	47522	47531	47587	50252	50317	50373	50382	50438	53279	53337	53395	53404	53470
	S/T	0.48	0.56	0.64	0.64	0.73	0.51	0.60	0.68	0.68	0.77	0.54	0.63	0.72	0.72	0.82	0.57	0.67	0.76	0.76	0.87
	PI	3.08	3.08	3.09	3.09	3.09	3.26	3.27	3.27	3.27	3.28	3.46	3.46	3.47	3.47	3.47	3.67	3.67	3.67	3.68	3.68
77°F	TC	42220	42277	42323	42325	42382	44765	44818	44862	44871	44924	47439	47501	47554	47563	47616	50297	50352	50407	50415	50478
	S/T	0.49	0.57	0.65	0.65	0.74	0.51	0.60	0.69	0.69	0.78	0.55	0.64	0.73	0.73	0.83	0.58	0.68	0.77	0.77	0.88
	PI	3.03	3.03	3.04	3.04	3.04	3.21	3.21	3.22	3.22	3.22	3.40	3.41	3.41	3.41	3.42	3.61	3.61	3.62	3.62	3.62
80°F	TC	41659	41715	41760	41762	41819	44170	44222	44266	44275	44327	46809	46870	46922	46931	46983	49629	49683	49737	49745	49807
	S/T	0.49	0.58	0.66	0.66	0.75	0.52	0.61	0.69	0.69	0.79	0.55	0.65	0.74	0.74	0.84	0.59	0.69	0.78	0.78	0.89
	PI	3.24	3.24	3.25	3.25	3.25	3.43	3.44	3.44	3.44	3.45	3.64	3.64	3.65	3.65	3.65	3.86	3.86	3.87	3.87	3.87
86°F	TC	42258	42314	42360	42362	42419	44804	44857	44902	44910	44964	47481	47543	47596	47604	47658	50342	50397	50451	50459	50522
	S/T	0.50	0.58	0.66	0.66	0.76	0.53	0.62	0.70	0.70	0.80	0.56	0.66	0.75	0.75	0.85	0.59	0.70	0.79	0.79	0.90
	PI	3.71	3.71	3.71	3.71	3.72	3.93	3.93	3.94	3.94	3.94	4.16	4.17	4.17	4.17	4.18	4.41	4.42	4.42	4.43	4.43
95°F	TC	43603	43662	43709	43711	43770	46231	46286	46331	46341	46396	48993	49057	49111	49121	49175	51945	52001	52058	52066	52131
	S/T	0.50	0.58	0.66	0.66	0.76	0.53	0.62	0.70	0.70	0.80	0.56	0.66	0.75	0.75	0.85	0.59	0.70	0.79	0.79	0.90
	PI	4.76	4.76	4.77	4.77	4.78	5.04	5.05	5.06	5.06	5.06	5.35	5.35	5.36	5.36	5.37	5.67	5.67	5.68	5.68	5.69
104°F	TC	36364	36413	36452	36453	36503	38555	38601	38639	38647	38692	40859	40912	40957	40965	41011	43320	43367	43415	43421	43475
	S/T	0.51	0.60	0.68	0.68	0.78	0.54	0.63	0.72	0.72	0.82	0.57	0.67	0.76	0.76	0.87	0.61	0.71	0.81	0.81	0.92
	PI	4.07	4.08	4.08	4.08	4.09	4.32	4.32	4.33	4.33	4.33	4.58	4.58	4.59	4.59	4.59	4.85	4.86	4.86	4.86	4.87
110°F	TC	32020	32063	32097	32099	32142	33950	33990	34023	34030	34070	35978	36025	36065	36071	36112	38146	38187	38229	38235	38282
	S/T	0.53	0.62	0.70	0.71	0.80	0.56	0.66	0.75	0.75	0.85	0.59	0.70	0.79	0.79	0.90	0.63	0.74	0.84	0.84	0.96
	PI	3.66	3.67	3.67	3.67	3.68	3.88	3.89	3.89	3.89	3.90	4.11	4.12	4.12	4.12	4.13	4.36	4.37	4.37	4.37	4.38
115°F	TC	23285	23317	23342	23343	23374	24689	24718	24742	24747	24777	26164	26198	26227	26232	26261	27740	27770	27800	27805	27839
	S/T	0.53	0.63	0.71	0.71	0.81	0.57	0.67	0.76	0.76	0.86	0.60	0.71	0.80	0.80	0.91	0.64	0.75	0.85	0.85	0.97
	PI	2.83	2.84	2.84	2.84	2.85	3.01	3.01	3.01	3.01	3.02	3.18	3.19	3.19	3.19	3.20	3.38	3.38	3.38	3.38	3.39
122°F	TC	11639	11655	11668	11668	11684	12341	12355	12368	12370	12385	13078	13095	13110	13112	13127	13866	13881	13896	13898	13916
	S/T	0.55	0.64	0.73	0.73	0.83	0.58	0.68	0.77	0.77	0.88	0.62	0.72	0.82	0.82	0.93	0.65	0.76	0.87	0.87	0.99
	PI	1.73	1.73	1.74	1.74	1.74	1.84	1.84	1.84	1.84	1.84	1.95	1.95	1.95	1.95	1.95	2.06	2.07	2.07	2.07	2.07

48CCHP-HH-SYS-B Expanded Cooling @ 1,235 CFM

OD DB	ID WB (°F)	60.8 °F					64.4°F					67.0°F					71.6°F				
		ID DB (°F)	73.4 °F	77.0 °F	80.0 °F	80.6 °F	84.2 °F	73.4 °F	77.0 °F	80.0 °F	80.6 °F	84.2 °F	73.4 °F	77.0 °F	80.0 °F	80.6 °F	84.2 °F	73.4 °F	77.0 °F	80.0 °F	80.6 °F
50°F	TC	53363	53435	53492	53495	53567	56579	56646	56702	56713	56780	59959	60037	60104	60115	60182	63572	63641	63710	63720	63799
	S/T	0.50	0.58	0.66	0.66	0.76	0.53	0.62	0.70	0.70	0.80	0.56	0.66	0.75	0.75	0.85	0.59	0.70	0.79	0.79	0.90
	PI	3.41	3.41	3.42	3.42	3.42	3.61	3.62	3.62	3.62	3.63	3.83	3.84	3.84	3.84	3.85	4.06	4.07	4.07	4.07	4.08
59°F	TC	50677	50745	50800	50802	50871	53731	53795	53848	53859	53923	56941	57015	57079	57089	57153	60372	60438	60504	60513	60588
	S/T	0.50	0.59	0.67	0.67	0.76	0.53	0.62	0.71	0.71	0.81	0.56	0.66	0.75	0.75	0.86	0.60	0.70	0.80	0.80	0.91
	PI	3.36	3.36	3.36	3.36	3.37	3.56	3.56	3.57	3.57	3.57	3.77	3.78	3.78	3.78	3.79	4.00	4.00	4.01	4.01	4.01
68°F	TC	47991	48056	48108	48110	48175	50883	50944	50994	51004	51065	53923	53993	54054	54064	54124	57172	57235	57297	57306	57377
	S/T	0.51	0.60	0.69	0.69	0.78	0.54	0.64	0.73	0.73	0.83	0.58	0.68	0.77	0.77	0.88	0.61	0.72	0.82	0.82	0.93
	PI	3.30	3.31	3.31	3.31	3.32	3.50	3.51	3.51	3.51	3.51	3.71	3.72	3.72	3.72	3.73	3.93	3.94	3.94	3.94	3.95
77°F	TC	45305	45366	45415	45417	45478	48036	48093	48140	48150	48207	50906	50972	51029	51038	51095	53973	54031	54090	54099	54166
	S/T	0.52	0.61	0.69	0.69	0.79	0.55	0.65	0.74	0.74	0.84	0.59	0.69	0.78	0.78	0.89	0.62	0.73	0.83	0.83	0.94
	PI	3.25	3.25	3.26	3.26	3.26	3.45	3.45	3.45	3.45	3.46	3.65	3.66	3.66	3.66	3.67	3.87	3.88	3.88	3.88	3.89
80°F	TC	44704	44764	44812	44814	44874	47398	47454	47501	47510	47566	50229	50295	50351	50360	50416	53256	53314	53372	53380	53446
	S/T	0.53	0.62	0.70	0.70	0.80	0.56	0.66	0.75	0.75	0.85	0.59	0.70	0.79	0.79	0.90	0.63	0.74	0.84	0.84	0.95
	PI	3.48	3.48	3.48	3.48	3.49	3.68	3.69	3.69	3.69	3.70	3.90	3.91	3.91	3.91	3.92	4.14	4.14	4.15	4.15	4.15
86°F	TC	45345	45406	45455	45457	45519	48078	48135	48183	48192	48249	50950	51017	51073	51083	51140	54020	54079	54138	54146	54214
	S/T	0.53	0.63	0.71	0.71	0.81	0.57	0.66	0.75	0.75	0.86	0.60	0.70	0.80	0.80	0.91	0.64	0.75	0.85	0.85	0.97
	PI	3.98	3.98	3.99	3.99	3.99	4.22	4.22	4.23	4.23	4.23	4.47	4.47	4.48	4.48	4.48	4.74	4.74	4.75	4.75	4.75
95°F	TC	46789	46852	46903	46905	46968	49609	49668	49717	49727	49786	52573	52641	52700	52710	52769	55741	55801	55862	55871	55940
	S/T	0.53	0.63	0.71	0.71	0.81	0.57	0.66	0.75	0.75	0.86	0.60	0.70	0.80	0.80	0.91	0.64	0.75	0.85	0.85	0.97
	PI	5.11	5.11	5.12	5.12	5.12	5.41	5.42	5.42	5.43	5.43	5.74	5.74	5.75	5.75	5.76	6.08	6.09	6.10	6.10	6.10
104°F	TC	39021	39073	39115	39117	39170	41372	41421	41462	41470	41520	43844	43901	43950	43958	44007	46486	46536	46587	46594	46652
	S/T	0.55	0.64	0.73	0.73	0.83	0.58	0.68	0.77	0.77	0.88	0.62	0.72	0.82	0.82	0.93	0.65	0.76	0.87	0.87	0.99
	PI	4.37	4.38	4.38	4.38	4.39	4.63	4.64	4.64	4.64	4.65	4.91	4.92	4.92	4.92	4.93	5.21	5.21	5.22	5.22	5.22
110°F	TC	34360	34406	34443	34444	34491	36430	36473	36509	36517	36560	38607	38657	38700	38707	38750	40933	40977	41022	41028	41079
	S/T	0.57	0.67	0.76	0.76	0.86	0.60	0.71	0.80	0.80	0.91	0.64	0.75	0.85	0.85	0.97	0.68	0.79	0.90	0.90	1.00
	PI	3.93	3.93	3.94	3.94	3.94	4.17	4.17	4.18	4.18	4.18	4.41	4.42	4.43	4.43	4.43	4.68	4.69	4.69	4.69	4.70
115°F	TC	24987	25020	25047	25049	25082	26493	26524	26550	26556	26587	28075	28112	28143	28149	28180	29767	29799	29832	29837	29874
	S/T	0.57	0.67	0.77	0.77	0.87	0.61	0.71	0.81	0.81	0.92	0.65	0.76	0.86	0.86	0.98	0.68	0.80	0.91	0.91	1.00
	PI	3.04	3.05	3.05	3.05	3.05	3.22	3.23	3.23	3.23	3.24	3.42	3.42	3.43	3.43	3.43	3.62	3.63	3.63	3.63	3.64
122°F	TC	12490	12507	12520	12521	12538	13243	13258	13271	13274	13290	14034	14052	14068	14070	14086	14879	14896	14912	14914	14933
	S/T	0.59	0.69	0.78	0.78	0.89	0.62	0.73	0.83	0.83	0.95	0.66	0.77	0.88	0.88	1.00	0.70	0.82	0.93	0.93	1.00
	PI	1.86	1.86	1.86	1.86	1.87	1.97	1.97	1.97	1.97	1.98	2.09	2.09	2.09	2.09	2.10	2.21	2.22	2.22	2.22	2.22

48CCHP-HH-SYS-B Expanded Heating @ 806 CFM

CFM	HEATING PERFORMANCE AT INDOOR DRY BULB TEMPERATURE										
	OD DB (°F)	TC : Total Heating Capacity(BTU/hr)					PI : Power Input(kW)				
		Indoor Conditions (DB °F)					Indoor Conditions (DB °F)				
		60.8°F	68°F	70°F	71.6°F	75.2°F	60.8°F	68°F	70°F	71.6°F	75.2°F
806	-22°F	19153	18770	18676	19820	19642	4.73	4.76	4.77	4.78	4.80
	-13°F	25231	24727	24603	25106	24880	5.59	5.64	5.65	5.66	5.68
	-4°F	31705	31071	30916	31547	31263	6.08	6.13	6.14	6.15	6.17
	0°F	35136	34433	34261	34961	34646	6.41	6.46	6.47	6.49	6.51
	5°F	39424	38635	38442	39227	38874	6.82	6.88	6.89	6.91	6.93
	14°F	39735	38940	38746	39537	39181	6.38	6.43	6.44	6.45	6.48
	17°F	39839	39042	38847	39640	39284	6.23	6.28	6.29	6.30	6.33
	22°F	40503	39693	39494	40301	39938	6.14	6.18	6.20	6.21	6.23
	27°F	41167	40343	40142	40962	40593	6.04	6.09	6.10	6.12	6.14
	32°F	41831	40994	40789	41622	41248	5.95	6.00	6.01	6.02	6.05
	35°F	42229	41384	41177	42019	41640	5.89	5.94	5.95	5.97	5.99
	37°F	43131	42268	42057	42916	42530	5.82	5.87	5.88	5.89	5.91
	42°F	45386	44478	44256	45160	44753	5.63	5.67	5.68	5.70	5.72
	44.6°F	46288	45362	45135	46057	45643	5.55	5.60	5.61	5.62	5.64
	47°F	47641	46688	46454	47403	46977	5.44	5.48	5.49	5.50	5.52
	52°F	47367	46420	46188	47131	46707	5.08	5.12	5.13	5.14	5.16
	57°F	47094	46152	45922	46860	46438	4.73	4.77	4.78	4.78	4.80
59°F	46985	46045	45815	46751	46330	4.59	4.62	4.63	4.64	4.66	
62°F	46821	45885	45655	46588	46169	4.37	4.41	4.42	4.43	4.44	
64.4°F	46712	45778	45549	46479	46061	4.23	4.26	4.27	4.28	4.30	

48CCHP-HH-SYS-B Expanded Heating @ 1,024 CFM

CFM	HEATING PERFORMANCE AT INDOOR DRY BULB TEMPERATURE										
	OD DB (°F)	TC : Total Heating Capacity(BTU/hr)					PI : Power Input(kW)				
		Indoor Conditions (DB °F)					Indoor Conditions (DB °F)				
		60.8°F	68°F	70°F	71.6°F	75.2°F	60.8°F	68°F	70°F	71.6°F	75.2°F
1024	-22°F	20960	20541	20438	21012	20823	4.77	4.81	4.82	4.83	4.85
	-13°F	27075	26533	26401	26616	26376	5.65	5.70	5.71	5.72	5.74
	-4°F	34022	33341	33175	33445	33144	6.14	6.19	6.20	6.21	6.24
	0°F	37703	36949	36764	37063	36730	6.47	6.53	6.54	6.55	6.58
	5°F	42305	41459	41251	41587	41213	6.89	6.95	6.96	6.98	7.00
	14°F	42639	41786	41577	41915	41538	6.44	6.49	6.51	6.52	6.55
	17°F	42750	41895	41685	42025	41647	6.29	6.34	6.35	6.37	6.39
	22°F	43462	42593	42380	42725	42341	6.20	6.25	6.26	6.27	6.30
	27°F	44175	43291	43075	43425	43035	6.10	6.15	6.17	6.18	6.20
	32°F	44887	43989	43770	44126	43729	6.01	6.06	6.07	6.08	6.11
	35°F	45315	44408	44186	44546	44145	5.95	6.00	6.01	6.03	6.05
	37°F	46283	45357	45130	45497	45088	5.88	5.92	5.94	5.95	5.97
	42°F	48702	47728	47489	47876	47445	5.68	5.73	5.74	5.75	5.78
	44.6°F	49670	48677	48433	48827	48388	5.61	5.65	5.66	5.68	5.70
	47°F	51122	50099	49849	50255	49802	5.49	5.54	5.55	5.56	5.58
	52°F	50829	49812	49563	49966	49517	5.13	5.17	5.19	5.20	5.22
	57°F	50535	49525	49277	49678	49231	4.78	4.81	4.82	4.83	4.85
59°F	50418	49410	49163	49563	49117	4.63	4.67	4.68	4.69	4.71	
62°F	50242	49238	48991	49390	48946	4.42	4.45	4.46	4.47	4.49	
64.4°F	50125	49123	48877	49275	48831	4.27	4.31	4.32	4.33	4.34	

48CCHP-HH-SYS-B Expanded Heating @ 1,118 CFM

CFM	HEATING PERFORMANCE AT INDOOR DRY BULB TEMPERATURE										
	OD DB (°F)	TC : Total Heating Capacity(BTU/hr)					PI : Power Input(kW)				
		Indoor Conditions (DB °F)					Indoor Conditions (DB °F)				
		60.8°F	68°F	70°F	71.6°F	75.2°F	60.8°F	68°F	70°F	71.6°F	75.2°F
1118	-22°F	22937	22478	22366	22276	22076	4.82	4.86	4.87	4.88	4.90
	-13°F	29053	28472	28330	28217	27963	5.71	5.75	5.77	5.78	5.80
	-4°F	36508	35778	35599	35456	35137	6.20	6.25	6.26	6.27	6.30
	0°F	40458	39649	39451	39293	38939	6.54	6.59	6.60	6.62	6.64
	5°F	45396	44488	44265	44088	43692	6.96	7.02	7.03	7.05	7.07
	14°F	45754	44839	44615	44436	44037	6.51	6.56	6.57	6.58	6.61
	17°F	45874	44956	44731	44553	44152	6.35	6.41	6.42	6.43	6.46
	22°F	46638	45705	45477	45295	44887	6.26	6.31	6.32	6.34	6.36
	27°F	47403	46455	46222	46037	45623	6.17	6.22	6.23	6.24	6.27
	32°F	48167	47204	46968	46780	46359	6.07	6.12	6.13	6.14	6.17
	35°F	48626	47653	47415	47225	46800	6.01	6.06	6.08	6.09	6.11
	37°F	49664	48671	48428	48234	47800	5.94	5.98	6.00	6.01	6.03
	42°F	52261	51216	50960	50756	50299	5.74	5.79	5.80	5.81	5.83
	44.6°F	53299	52233	51972	51764	51299	5.66	5.71	5.72	5.73	5.76
	47°F	54857	53760	53491	53277	52798	5.55	5.59	5.60	5.61	5.64
	52°F	54543	53452	53185	52972	52495	5.19	5.23	5.24	5.25	5.27
	57°F	54228	53144	52878	52666	52192	4.82	4.86	4.87	4.88	4.90
	59°F	54102	53020	52755	52544	52071	4.68	4.72	4.73	4.74	4.75
62°F	53914	52835	52571	52361	51890	4.46	4.50	4.51	4.52	4.53	
64.4°F	53788	52712	52448	52239	51769	4.32	4.35	4.36	4.37	4.39	

48CCHP-HH-SYS-B Expanded Heating @ 1,235 CFM

CFM	HEATING PERFORMANCE AT INDOOR DRY BULB TEMPERATURE										
	OD DB (°F)	TC : Total Heating Capacity(BTU/hr)					PI : Power Input(kW)				
		Indoor Conditions (DB °F)					Indoor Conditions (DB °F)				
		60.8°F	68°F	70°F	71.6°F	75.2°F	60.8°F	68°F	70°F	71.6°F	75.2°F
1235	-22°F	24613	24121	24000	23904	23689	4.87	4.91	4.92	4.93	4.95
	-13°F	31176	30553	30400	30278	30006	5.77	5.81	5.82	5.84	5.86
	-4°F	39175	38392	38200	38047	37705	6.26	6.31	6.33	6.34	6.36
	0°F	43414	42546	42333	42164	41785	6.60	6.66	6.67	6.68	6.71
	5°F	48713	47739	47500	47310	46884	7.03	7.09	7.10	7.12	7.15
	14°F	49098	48116	47875	47684	47254	6.57	6.62	6.64	6.65	6.68
	17°F	49226	48241	48000	47808	47378	6.42	6.47	6.48	6.50	6.52
	22°F	50046	49045	48800	48605	48167	6.32	6.37	6.39	6.40	6.43
	27°F	50866	49849	49600	49401	48957	6.23	6.28	6.29	6.30	6.33
	32°F	51687	50653	50400	50198	49746	6.13	6.18	6.19	6.21	6.23
	35°F	52179	51135	50880	50676	50220	6.08	6.12	6.14	6.15	6.17
	37°F	53293	52228	51966	51759	51293	6.00	6.05	6.06	6.07	6.09
	42°F	56080	54958	54683	54464	53974	5.80	5.85	5.86	5.87	5.89
	44.6°F	57194	56050	55770	55547	55047	5.72	5.77	5.78	5.79	5.81
	47°F	58866	57688	57400	57170	56656	5.60	5.65	5.66	5.67	5.69
	52°F	58528	57358	57071	56843	56331	5.24	5.28	5.29	5.30	5.32
	57°F	58191	57027	56742	56515	56006	4.87	4.91	4.92	4.93	4.95
	59°F	58056	56895	56610	56384	55876	4.73	4.76	4.77	4.78	4.80
62°F	57853	56696	56413	56187	55681	4.51	4.54	4.55	4.56	4.58	
64.4°F	57718	56564	56281	56056	55551	4.36	4.40	4.40	4.41	4.43	

TC:Total Cooling Capacity (BTU/hr)

S/T:Sensible Cooling Capacity Ratio

PI:Power Input(kW)

Control Options

Part Number	Description
MWRC	Wireless infrared remote controller with timer, sleep function, follow me and turbo function.
SWC120LR	Standard wired wall controller with operation mode control, timer and follow me functions.
WIFI-DWC120X2	Deluxe wired wall controller with WFI and app, with programmable weekly timer, auto-restart, child lock, Turbo function, follow me function and more. The WIFI-DWC120X2 also functions as a receiver for the MWRC remote controller.
DWC120X2	Deluxe wired wall controller with programmable weekly timer, auto-restart, child lock, and follow me functions. The DWC120X2 also functions as a receiver for the MWRC remote controller.
M24V-INT	24V Interface Kit that allows the use of a conventional 24V thermostat with an HCHP system.



MWRC
Wireless Remote



SWC120LR
Standard Wired
Wall Controller



WIFI-DWC120X2
Deluxe Wired Wall



DWC120X2
Deluxe Wired



M24V-INT
24V Interface Kit





**33380 Zeiders Road, Suite 101
Menifee, CA 92584**

Phone 888-741-9775

Fax 760-480-8904

www.multimfg-usa.com