

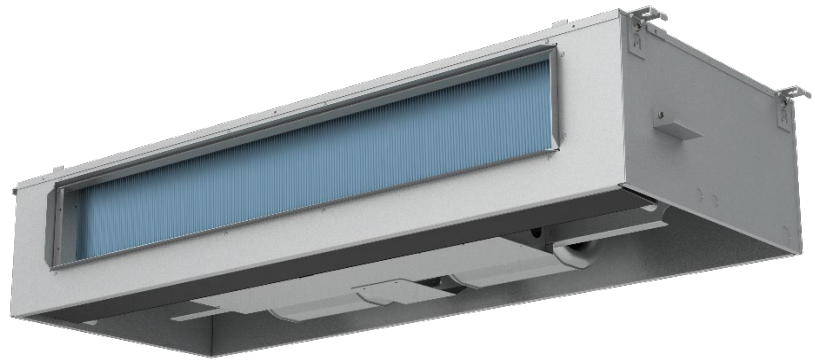


HSHP-HH-B

Hyper Heat

Horizontal Soffit Mount System

R454b Model



High Efficiency, with Full Heating Capacity down to 5° F

1.50 Ton - 3.00 Ton, with Efficiencies up to 17.50 SEER2 and 12.0 EER2



R454b

The HSHP-HH-B is a highly efficient split system, with a horizontal ceiling mount soffit mount fan coil and an outdoor side discharge heat pump unit. The indoor fan coil can be installed in various locations, and is designed for standard bottom return air. This system supplies comfortable cooling and heating performance at low sound levels.

Typical installations for the HSHP-HH-B include:

- Apartments
- Condominiums
- Independent Care Facilities
- Pre Manufactured Homes
- Single Family Home Additions
- Modular Buildings
- Student Housing
- Offices
- Stores



Features

Highly Efficient / High Performance

- Highly Efficient Inverter Compressor, with Efficiencies up to 18.00 SEER2
- Air Handler EC Blower Motor, with Available ESP up to 0.80" WC
- Low Amp Draw DC motor in Outdoor HP

Quiet Operation, Inside and Outside

- Low Sone EC motor in HSHP Fan Coil
- Quiet Inverter Compressor in Outdoor Heat Pump, with low Sound Levels

Heating at Low Ambient Conditions

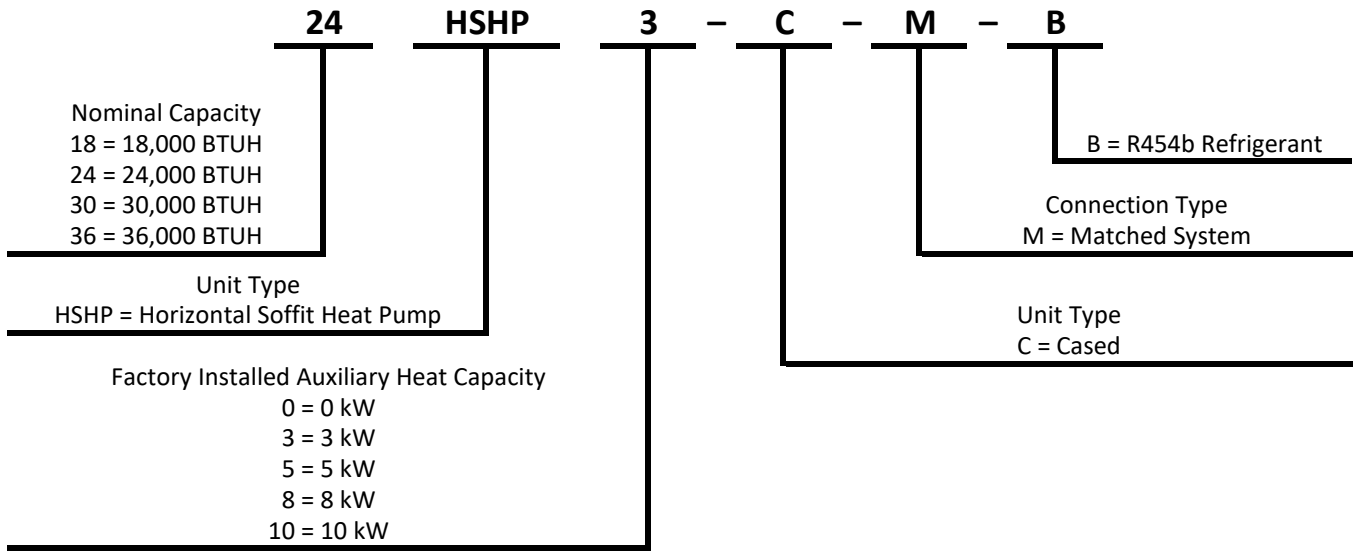
- Standard Base Pan Heaters
- Hyper Heat, with full heating capacity down to 5° F

Design

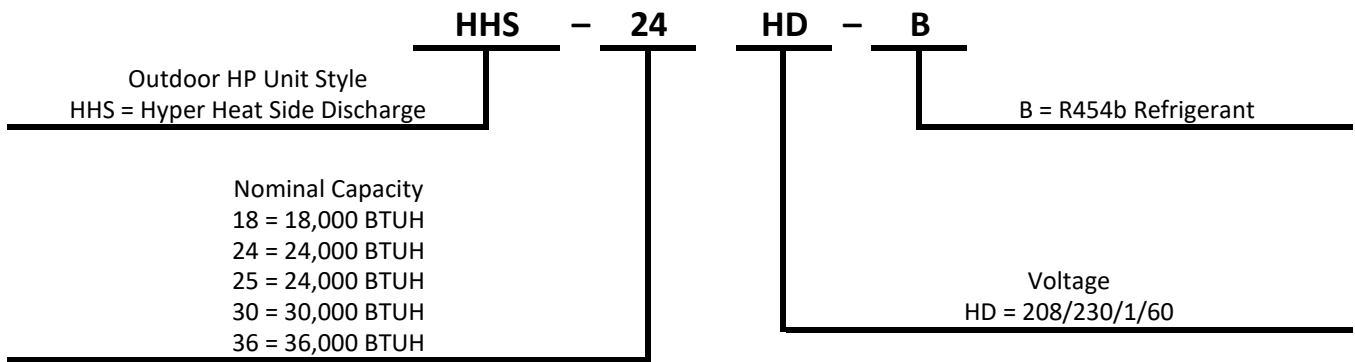
- Standard Bottom Return Air or Ducted Return Air Available
- Automatic Restart Function
- 24V Control Board with High, Medium and Low Motor Speed Settings
- Indoor Unit can be wired to 115/1 or 208/230/1
- Suction Line Service Port
- Pre-Coated Fins on Evaporator and Condenser Coils
- Crankcase Heater
- Compressor Time Delay
- Compressor Overload and Over Current Protection
- Environmentally Friendly R454b Refrigerant
- 208/1, 230/1 or 115/1 Power can be applied to the Fan Coil

Nomenclature

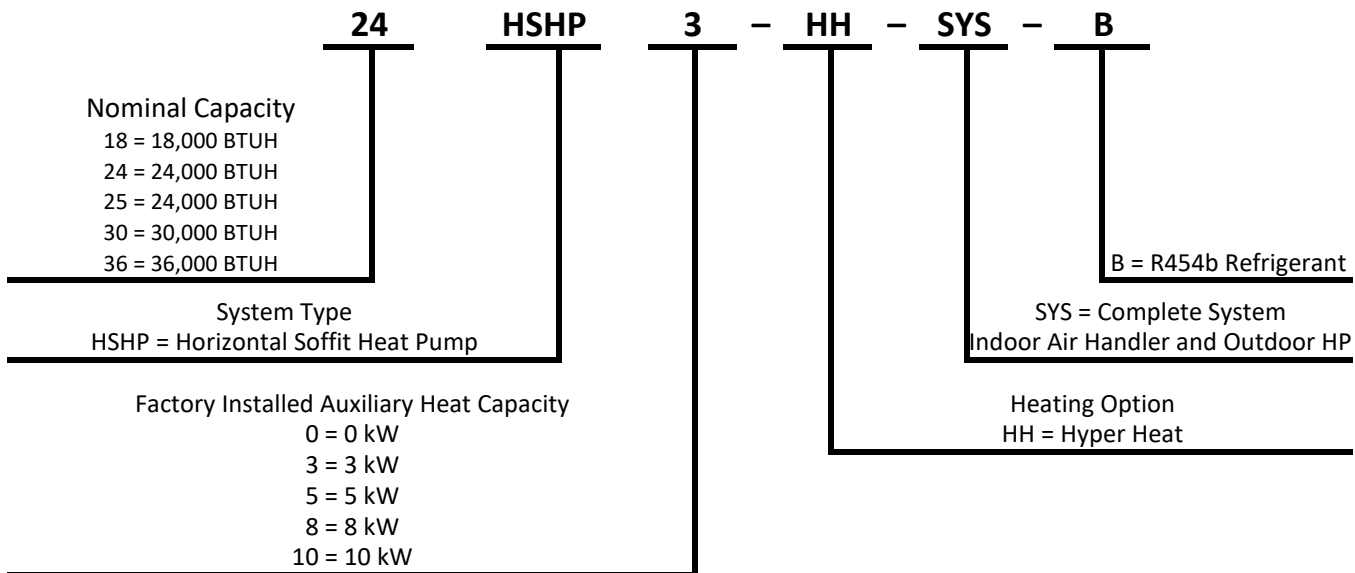
Indoor Unit



Outdoor Unit



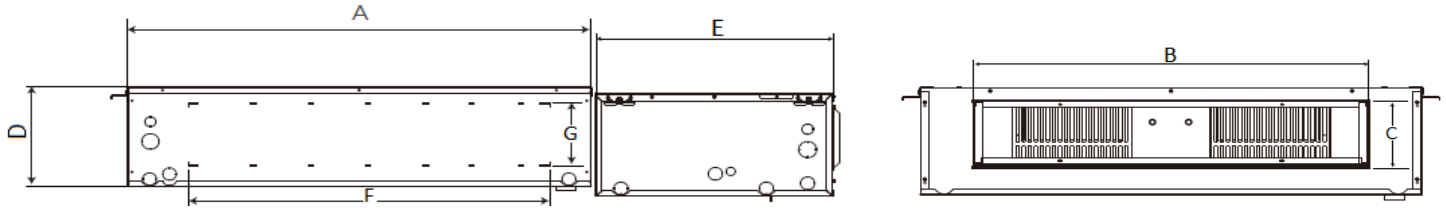
System



HSHP

1.50 ton - 3.00 ton Heat Pump Fan Coils

Dimensional and Electrical Data



Model Number	Height	Width	Depth	Supply Opening		Return Air Knockout		Weight
	D	A	E	Height (C)	Width (B)	Height (G)	Width (F)	
18HSHP*-C-M-B	10.94	39.938	23.30	6.88	30.3	7.0	28.0	110
24HSHP*-C-M-B	10.94	45.875	23.30	6.88	36.2	7.0	33.9	115
30HSHP*-C-M-B	10.94	51.94	23.30	6.88	42.3	7.0	40.0	125
36HSHP*-C-M-B	10.94	58.88	23.30	6.88	49.2	7.0	46.9	145

All Condensate Drain Connections are 3/4" MPT

Model Number	Electric Heat		Total Amps			Min. Cir. Ampacity			Max Fuse Size		
	kW	BTUH	115V	208V	240V	115V	208V	240V	115V	208V	240V
18HSHP*-C-M-B	0	0	4.0	3.5	3.5	6.0	5.0	5.0	15.0	15.0	15.0
	3	10200		10.9	12.0		15.0	16.0		20	20
	5	20400		18.1	19.7		22.0	24.0		25	30
	8	27300		28.3	30.9		32.0	35.0		40	45
	10	34100		36.7	42.0		45.9	52.9		45	50
24HSHP*-C-M-B	0	0	5.5	3.5	3.5	7.0	5.0	5.0	15.0	15.0	15.0
	3	10200		10.9	12.0		15.0	16.0		20	20
	5	20400		18.1	19.7		22.0	24.0		25	30
	8	27300		28.3	30.9		32.0	35.0		40	45
	10	34100		36.7	42.0		45.9	52.9		45	50
30HSHP*-C-M-B	0	0	6.4	4.5	4.5	8.0	6.0	6.0	15.0	15.0	15.0
	3	10200		10.9	12.0		15.0	16.0		20	20
	5	20400		18.1	19.7		22.0	24.0		25	30
	8	27300		28.3	30.9		32.0	35.0		40	45
	10	34100		36.7	42.0		45.9	52.9		45	50
36HSHP*-C-M-B	0	0	6.4	4.5	4.5	8.0	6.0	6.0	15.0	15.0	15.0
	3	10200		10.9	12.0		15.0	16.0		20	20
	5	20400		18.1	19.7		22.0	24.0		25	30
	8	27300		28.3	30.9		32.0	35.0		40	45
	10	34100		36.7	42.0		45.9	52.9		45	50

Note: A Separate 208/230/1 Power Source is Required for Fan Coils with Auxiliary Electric Strip Heat.

HHS

1.50 ton - 2.50 ton Heat Pump Outdoor Units

Dimensional Data

Figure 1

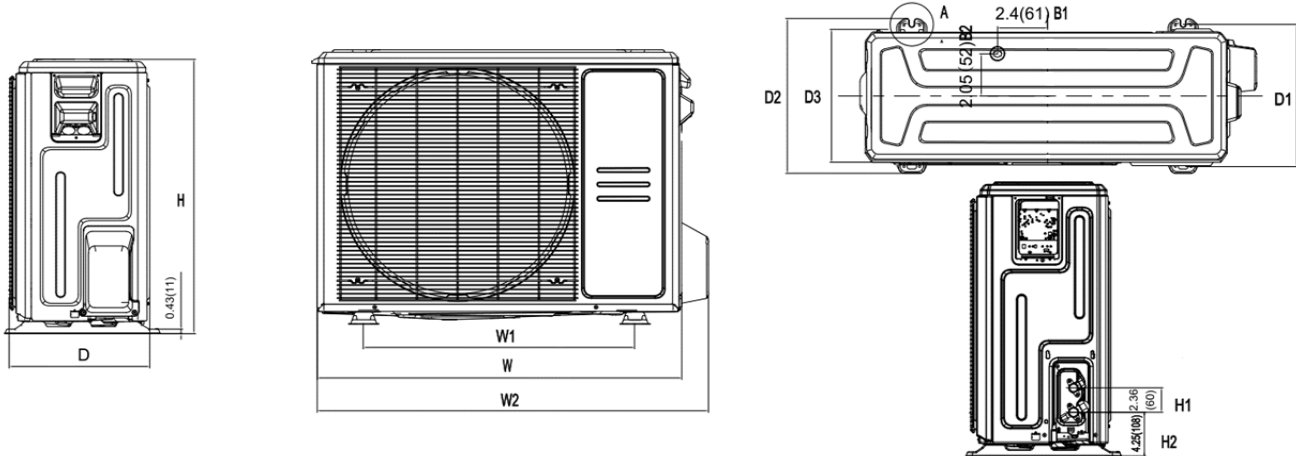
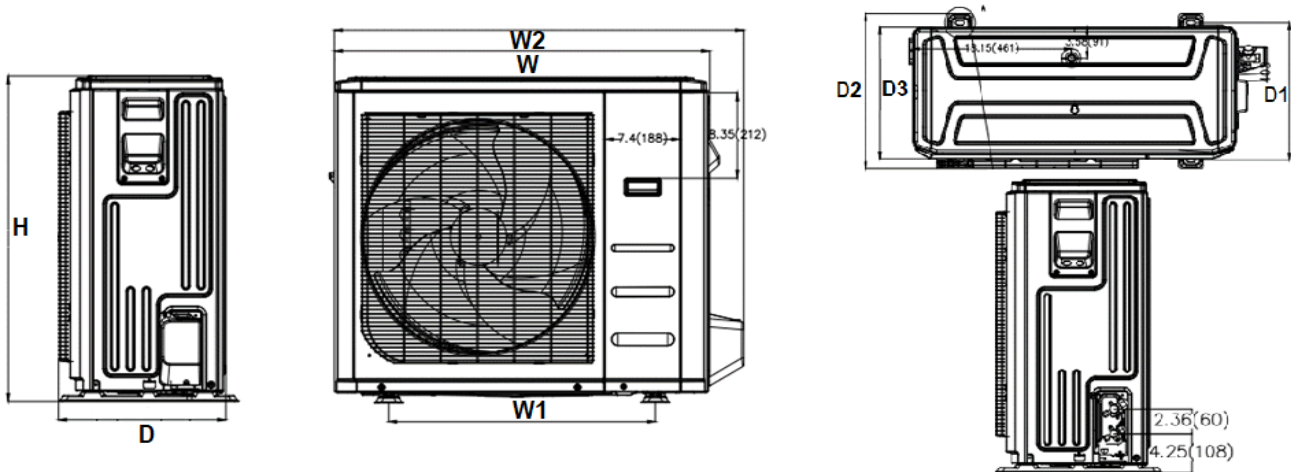


Figure 2

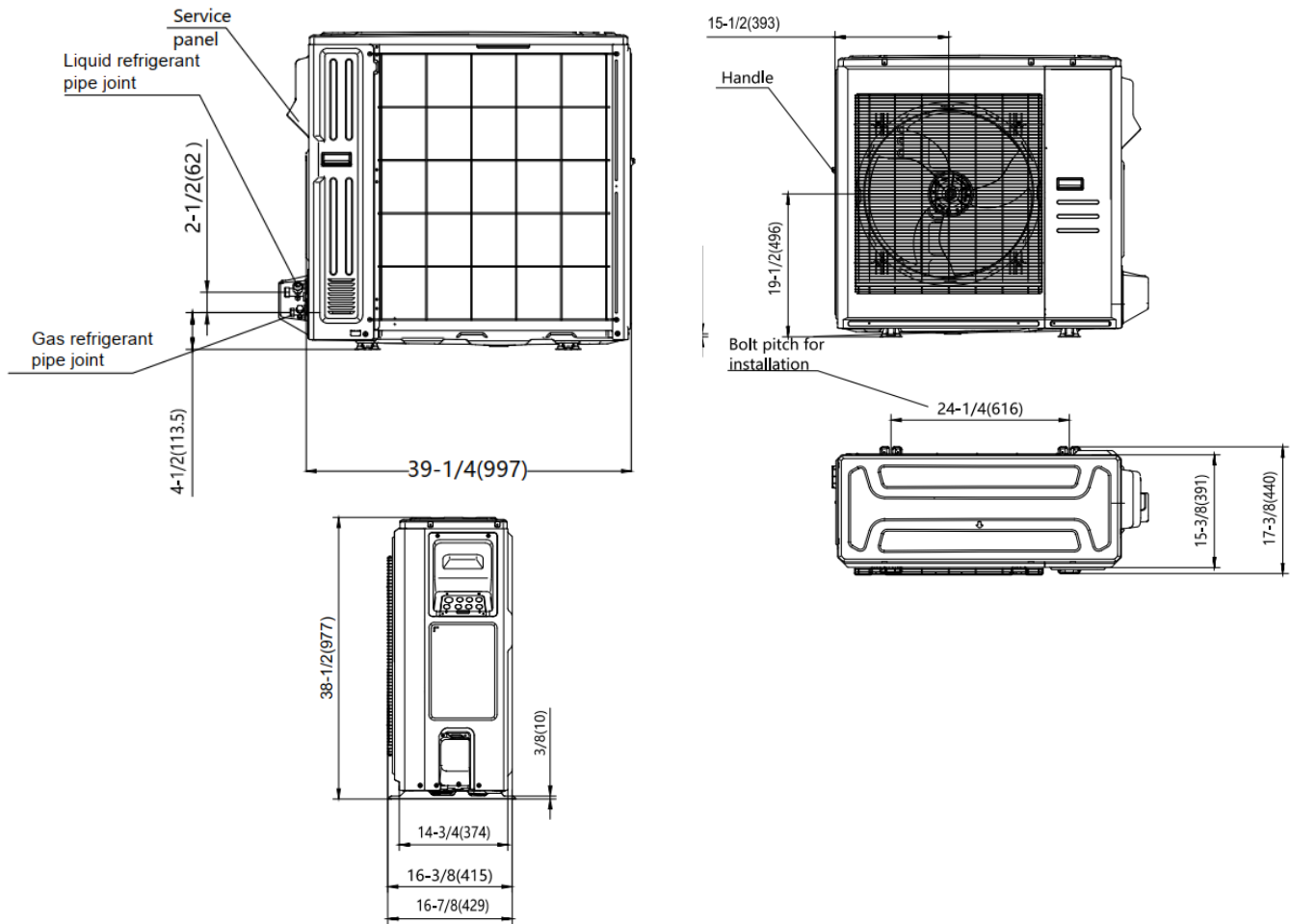


Unit	Figure	Unit Width (W)	Unit Width w/Elec (W2)	Unit Height (H)	Unit Depth (D)	Bracket Width (W1)	Bracket Depth (D2)	Weight (lbs)
HHS-18HD-B	1	35.04	37.63	26.50	13.46	26.13	15.00	103
HHS-24HD-B	1	35.04	37.63	26.50	13.46	26.13	15.00	103
HHS-25HD-B	2	37.25	40.50	31.90	16.15	26.50	17.88	164
HHS-30HD-B	2	37.25	40.50	31.90	16.15	26.50	17.88	164

Dimensions shown are in Inches

Dimensional Data

Figure 3



Unit	Figure	Unit Width (W)	Unit Width w/Elec (W2)	Unit Height (H)	Unit Depth (D)	Bracket Width (W1)	Bracket Depth (D2)	Weight (lbs)
HHS-36HD-B	3	39.25	42.75	38.50	16.34	24.25	17.38	205

Dimensions shown are in Inches

HSHP-HH-SYS-B

1.50 ton - 3.00 ton Hyper Heat Systems

System Specifications

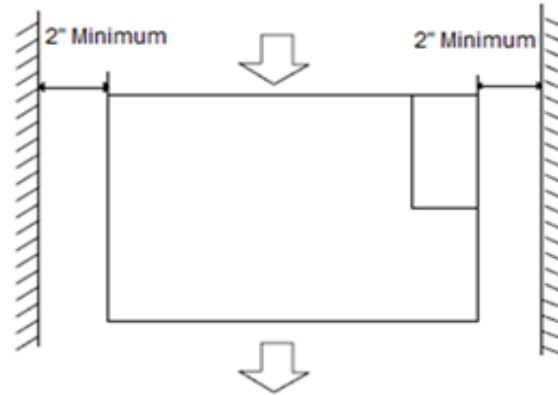
System Model		18HSHP*-HH-SYS-B	24HSHP*-HH-SYS-B	25HSHP*-HH-SYS-B
Indoor Model		18HSHP*-C-M-B	24HSHP*-C-M-B	24HSHP*-C-M-B
Outdoor Model		HHS-18HD-B	HHS-24HD-B	HHS-25HD-B
Energy Star (Cold Climate Split HP)		Yes	Yes	No
Energy Star (Meets Peak Cooling Requirements)		Yes	No	Yes
Rated Cooling Capacity	BTU/H	18,000	24,000	24,000
Cooling Capacity Range (Minimum - Maximum)	BTU/H	6,000~20,000	7,400~27,000	12,400~35,000
SEER2		16.80	17.50	17.40
EER2		12.0	10.8	12.0
Rated Heating Capacity at 47°F	BTU/H	19,000	26,000	26,000
Heating Capacity at 17°F	BTU/H	23,000	23,000	31,000
Heating Capacity at 5°F	BTU/H	19,000	20,000	30,000
Heating Capacity at -4°F	BTU/H	19,100	15,600	27,500
Heating Capacity at -13°F	BTU/H	16,000	15,000	24,000
Heating Capacity at -22°F	BTU/H	9,600	11,500	20,000
Heating Capacity Range (Minimum - Maximum)	BTU/H	6,000~22,000	9,200~32,200	10,000~35,000
HSPF2		10.5	9.2	9.8
COP at 47°F	W/W	3.5	3.5	3.9
COP at 17°F	W/W	2.3	2.5	2.3
COP at 5°F	W/W	1.8	1.9	1.7
Room Temp	Cooling / Heating	°F 60~90 / 32~86	60~90 / 32~86	60~90 / 32~86
Operation Temp	Cooling / Heating	°F -22~122 / -22~75	-22~122 / -22~75	-22~122 / -22~75

System Model		30HSHP*-HH-SYS-B	36HSHP*-HH-SYS-B
Indoor Model		30HSHP*-C-M-B	36HSHP*-C-M-B
Outdoor Model		HHS-30HD-B	HHS-36HD-B
Energy Star (Cold Climate Split HP)		Yes	Yes
Energy Star (Meets Peak Cooling Requirements)		Yes	No
Rated Cooling Capacity	BTU/H	30,000	36,000
Cooling Capacity Range (Minimum - Maximum)	BTU/H	10,320~39,000	11,100~40,000
SEER2		16.30	15.40
EER2		11.0	10.2
Rated Heating Capacity at 47°F	BTU/H	31,000	37,000
Heating Capacity at 17°F	BTU/H	37,800	38,000
Heating Capacity at 5°F	BTU/H	32,600	36,000
Heating Capacity at -4°F	BTU/H	28,200	36,000
Heating Capacity at -13°F	BTU/H	23,400	30,000
Heating Capacity at -22°F	BTU/H	20,100	27,800
Heating Capacity Range (Minimum - Maximum)	BTU/H	10,300~38,500	10,700~45,000
HSPF2		9.5	9.8
COP at 47°F	W/W	3.4	3.3
COP at 17°F	W/W	2.5	2.3
COP at 5°F	W/W	1.9	1.9
Room Temp	Cooling / Heating	°F 60~90 / 32~86	60~90 / 32~86
Operation Temp	Cooling / Heating	°F -22~122 / -22~75	-22~122 / -22~75

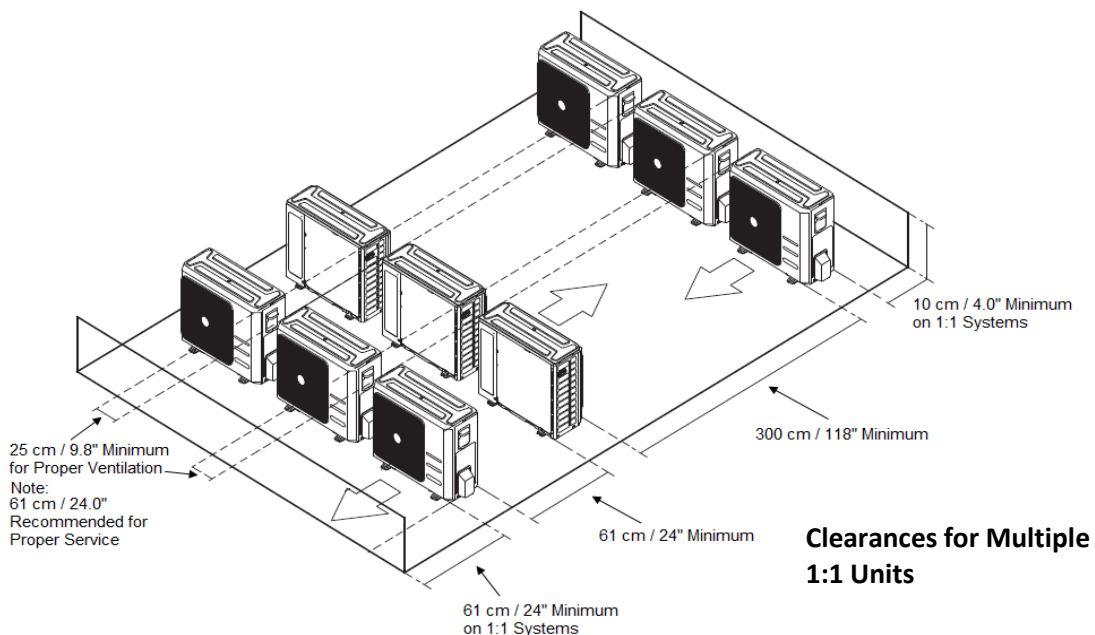
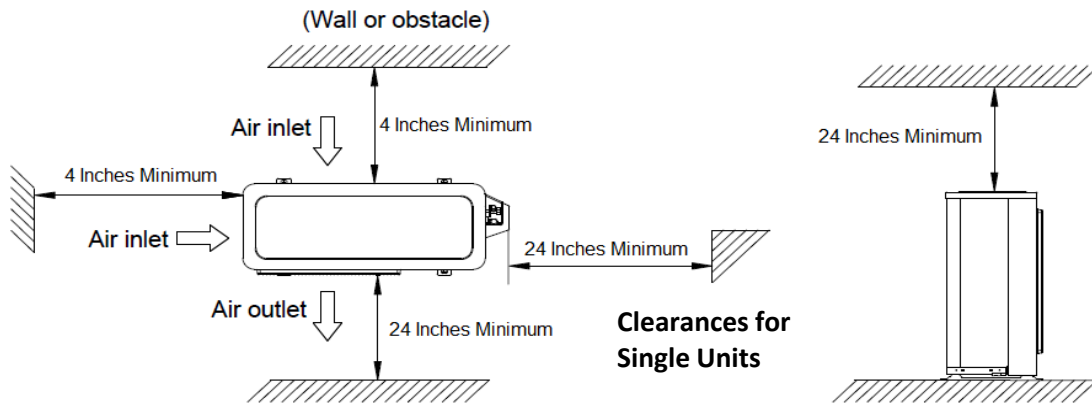
* in the System Model and Indoor Model refers to the electric strip heat.

Clearances

HSHP Indoor Units



HHS Outdoor Units





1.50 ton - 3.00 ton Hyper Heat Heat Pump Outdoor Unit

Electrical and Piping Data

Model		HHS-18HD-B	HHS-24HD-B	HHS-25HD-B HHS-30HD-B	HHS-36HD-B
Power Supply	V/Hz/Ph	208/230/60/1			
Compressor	Type	Inverter			
Comm Wiring	Size	AWG 20-2	AWG 20-2	AWG 20-2	AWG 20-2
Packaging	H x W x D	29.1 x 39.2 x 15.7	29.1 x 39.2 x 15.7	34.9 x 42.9 x 19.7	42.5 x 45.1 x 19.7
Packaged Weight	Lbs	109	109	174	246
Noise Level	dB(A)	58.5	59.0	62.5	64.0
Liquid - Suction	Inch	3/8 - 3/4	3/8 - 3/4	3/8 - 3/4	3/8 - 3/4
Max Lineset Length	Feet	98	164	164	246
Max Lineset Vertical Lift	Feet	66	82	82	98
Refrigerant / Precharge	Type / Oz	R454b / 74.08	R454b / 105.82	R454b / 105.82	R454b / 126.99
Refrigerant Precharge	Feet	25	25	25	25
Additional Charge Per Foot	Oz	0.70	0.70	0.70	0.70
Design Pressure	Psi	550	550	550	550
Indoor Operating Range	Cooling DB Min / Max	60°F / 90°F	60°F / 90°F	60°F / 90°F	60°F / 90°F
	Heating DB Min / Max	32°F / 86°F	32°F / 86°F	32°F / 86°F	32°F / 86°F
Outdoor Operating Range	Cooling DB Min / Max	-22°F / 122°F	-22°F / 122°F	-22°F / 122°F	-22°F / 122°F
	Heating DB Min / Max	-22°F / 75°F	-22°F / 75°F	-22°F / 75°F	-22°F / 75°F

Outdoor Heat Pumps Only

Unit	V / PH	Oper Volts		Compressor	Fan	MCA	Max Fuse
		Max	Min	Input (W)	Input (W)		
HHS-18HD-B	208/230/1	253	187	2045	80	16.0	20.0
HHS-24HD-B		253	187	2045	80	19.0	20.0
HHS-25HD-B		253	187	3200	120	29.5	30.0
HHS-30HD-B		253	187	3200	120	29.5	30.0
HHS-36HD-B		253	187	3265	250	29.0	30.0

MCA - Minimum Circuit Ampacity

Outdoor Heat Pumps with Matching Indoor Units

Outdoor Heat Pump				Indoor Fan Coil				
Model	V / PH	MCA	Max Fuse	Model	MCA	Max Fuse	MCA	Max Fuse
		208V / 230V			115V		208V / 230V	
HHS-18HD-B	208/230/1	16.0	20.0	18HSHP*-C-M-B	6.0	15.0	5.0	15.0
HHS-24HD-B		19.0	20.0	24HSHP*-C-M-B	7.0	15.0	5.0	15.0
HHS-25HD-B		29.5	30.0	24HSHP*-C-M-B	7.0	15.0	5.0	15.0
HHS-30HD-B		29.5	30.0	30HSHP*-C-M-B	8.0	15.0	6.0	15.0
HHS-36HD-B		29.0	30.0	36HSHP*-C-M-B	8.0	15.0	6.0	15.0

MCA - Minimum Circuit Ampacity

Note: A Separate 208/230/1 Power Source is Required for Fan Coils with Auxiliary Electric Strip Heat.

HSHP

Fan Coil Blower Performance

Fan Coil Blower Performance

Model Number	Motor HP	Speed	CFM @ Inches of WC External Static Pressure								
			0.00	0.10	0.20	0.30	0.40	0.50	0.60	0.70	0.80
18HSHP*-C-M-B	1/3	Special	602	594	603	600	594	594	609	610	604
		Special Setting	-8	-3	-2	0	3	5	7	8	11
		Turbo	754	690	633	600	554	494	467	450	383
		Watts	126	127	135	147	151	152	155	163	163
		High	715	651	593	559	513	454	426	409	341
		Watts	113	115	122	134	137	137	141	149	148
		Med-High	603	538	480	441	394	343	308	288	222
		Watts	80	83	89	99	102	100	106	112	106
		Low	491	426	368	324	276	236	192	165	104
Watts	51	57	62	68	72	73	77	83	70		
24HSHP*-C-M-B	1/3	Special	808	790	805	795	790	796	778	820	819
		Special Setting	-8	-3	-2	0	3	5	7	8	11
		Turbo	940	890	839	795	735	687	654	599	520
		Watts	171	179	187	194	203	216	228	229	219
		High	866	815	751	706	646	602	563	517	454
		Watts	139	146	154	161	169	179	190	196	197
		Med-Low	767	716	633	589	530	487	433	398	358
		Watts	100	106	114	119	127	129	136	147	164
		Low	596	546	427	383	331	287	190	170	172
Watts	39	44	51	55	61	45	38	56	103		
30HSHP*-C-M-B	1/2	Special	997	981	986	989	996	995	992	986	910
		Special Setting	-8	-3	-2	0	3	5	7	8	11
		Turbo	1117	1084	1045	989	956	875	825	789	758
		Watts	221	241	254	276	296	268	279	291	301
		High	1036	998	953	895	861	782	734	705	676
		Watts	195	214	227	248	268	239	252	267	279
		Med-Low	962	917	868	806	770	696	647	620	590
		Watts	155	173	184	203	221	195	209	226	239
		Low	746	679	612	541	492	438	380	342	295
Watts	84	94	99	109	116	114	122	131	138		
36HSHP*-C-M-B	1/2	Special	1184	1192	1201	1189	1180	1188	1201	1042	912
		Special Setting	-8	-3	-2	0	3	5	7	8	11
		Turbo	1312	1281	1261	1189	1157	1114	1061	991	899
		Watts	312	334	361	372	374	402	405	430	388
		High	1147	1067	1036	1001	912	856	795	778	715
		Watts	207	223	233	247	249	259	274	286	295
		Med-Low	978	883	836	795	700	644	591	521	445
		Watts	142	154	158	170	173	179	199	207	211
		Low	823	730	666	618	523	472	433	271	166
Watts	100	108	112	121	125	132	155	162	140		

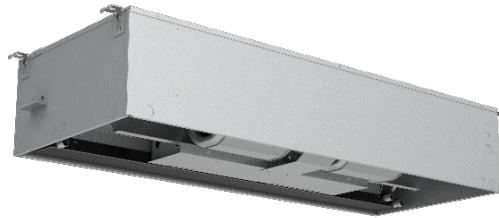
HSHP-HH-SYS-B

System Performance

Hyper Heat System	Indoor Fan Coil	Outdoor HP	SEER2	EER2	COP	HSPF2	BTU Cooling	BTU Heating	AHRI Reference Number
18HSHP*-HH-SYS-B	18HSHP*-C-M-B	HHS-18HD-B	16.80	12.0	3.5	10.5	18,000	19,000	216760052
24HSHP*-HH-SYS-B	24HSHP*-C-M-B	HHS-25HD-B	17.50	10.8	3.5	9.2	24,000	26,000	216760053
25HSHP*-HH-SYS-B	24HSHP*-C-M-B	HHS-25HD-B	17.40	12.0	3.9	9.8	24,000	26,000	217176412
30HSHP*-HH-SYS-B	30HSHP*-C-M-B	HHS-30HD-B	16.30	11.0	3.4	9.5	30,000	31,000	216760054
36HSHP*-HH-SYS-B	36HSHP*-C-M-B	HHS-36HD-B	15.40	10.2	3.3	9.8	36,000	37,000	216760055

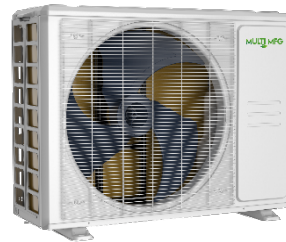
Fan Coil Noise Level (dBA)

Air Handler	dBA H / M / L
18HSHP*-C-M-B	55.5 / 52.5 / 50.5
24HSHP*-C-M-B	56.5 / 53.5 / 51.5
30HSHP*-C-M-B	62.0 / 60.0 / 54.0
36HSHP*-C-M-B	59.5 / 57.0 / 48.0



Outdoor Heat Pump Noise Level

Heat Pump	dBA
HHS-18HD-B	58.5
HHS-24HD-B	59.0
HHS-25HD-B	62.5
HHS-30HD-B	62.5
HHS-36HD-B	64.0



18HSHP-HH-SYS-B Expanded Cooling @ 488 CFM

OD DB	ID WB (°F)	60.8 °F					64.4°F					67.0°F					71.6°F				
	ID DB (°F)	73.4 °F	77.0 °F	80.0 °F	80.6 °F	84.2 °F	73.4 °F	77.0 °F	80.0 °F	80.6 °F	84.2 °F	73.4 °F	77.0 °F	80.0 °F	80.6 °F	84.2 °F	73.4 °F	77.0 °F	80.0 °F	80.6 °F	84.2 °F
50°F	TC	15107	15128	15144	15145	15165	16018	16037	16052	16056	16075	16975	16997	17016	17019	17038	17997	18017	18037	18039	18062
	S/T	0.45	0.53	0.60	0.60	0.69	0.48	0.56	0.64	0.64	0.73	0.51	0.60	0.68	0.68	0.77	0.54	0.63	0.72	0.72	0.82
	PI	0.64	0.64	0.64	0.64	0.64	0.68	0.68	0.68	0.68	0.68	0.72	0.72	0.72	0.72	0.72	0.76	0.76	0.77	0.77	0.77
59°F	TC	15695	15716	15733	15734	15755	16641	16661	16677	16681	16700	17635	17658	17678	17681	17701	18698	18718	18739	18742	18765
	S/T	0.45	0.53	0.61	0.61	0.69	0.48	0.57	0.64	0.64	0.73	0.51	0.60	0.68	0.68	0.78	0.54	0.63	0.72	0.72	0.82
	PI	0.75	0.75	0.75	0.75	0.75	0.79	0.79	0.79	0.79	0.79	0.84	0.84	0.84	0.84	0.84	0.89	0.89	0.89	0.89	0.89
68°F	TC	16283	16305	16323	16324	16346	17265	17285	17302	17306	17326	18296	18320	18340	18344	18364	19399	19420	19441	19444	19468
	S/T	0.47	0.55	0.62	0.62	0.71	0.49	0.58	0.66	0.66	0.75	0.52	0.61	0.70	0.70	0.80	0.56	0.65	0.74	0.74	0.84
	PI	0.85	0.85	0.85	0.85	0.85	0.90	0.90	0.90	0.90	0.90	0.95	0.96	0.96	0.96	0.96	1.01	1.01	1.01	1.01	1.02
77°F	TC	16871	16894	16912	16913	16936	17888	17909	17927	17931	17952	18957	18982	19003	19006	19027	20099	20121	20143	20146	20171
	S/T	0.47	0.55	0.63	0.63	0.72	0.50	0.59	0.67	0.67	0.76	0.53	0.62	0.71	0.71	0.81	0.56	0.66	0.75	0.75	0.86
	PI	0.95	0.95	0.96	0.96	0.96	1.01	1.01	1.01	1.01	1.01	1.07	1.07	1.07	1.07	1.08	1.14	1.14	1.14	1.14	1.14
80°F	TC	17071	17094	17113	17114	17137	18100	18122	18140	18143	18165	19182	19207	19228	19232	19253	20337	20359	20382	20385	20410
	S/T	0.48	0.56	0.64	0.64	0.73	0.51	0.60	0.68	0.68	0.77	0.54	0.63	0.72	0.72	0.82	0.57	0.67	0.76	0.76	0.87
	PI	0.99	0.99	0.99	0.99	0.99	1.05	1.05	1.05	1.05	1.05	1.11	1.11	1.11	1.11	1.12	1.18	1.18	1.18	1.18	1.18
86°F	TC	16709	16732	16750	16751	16773	17716	17737	17755	17758	17779	18775	18799	18820	18824	18845	19906	19928	19949	19952	19977
	S/T	0.48	0.57	0.65	0.65	0.74	0.51	0.60	0.68	0.69	0.78	0.54	0.64	0.73	0.73	0.83	0.58	0.68	0.77	0.77	0.88
	PI	1.25	1.25	1.25	1.25	1.25	1.32	1.32	1.33	1.33	1.33	1.40	1.40	1.41	1.41	1.41	1.49	1.49	1.49	1.49	1.49
95°F	TC	16161	16183	16200	16201	16223	17135	17155	17172	17175	17196	18158	18182	18202	18206	18226	19253	19273	19294	19297	19321
	S/T	0.48	0.57	0.65	0.65	0.74	0.51	0.60	0.68	0.69	0.78	0.54	0.64	0.73	0.73	0.83	0.58	0.68	0.77	0.77	0.88
	PI	1.64	1.64	1.64	1.64	1.65	1.74	1.74	1.74	1.74	1.74	1.84	1.84	1.85	1.85	1.85	1.95	1.95	1.96	1.96	1.96
104°F	TC	14000	14019	14034	14035	14054	14844	14862	14876	14879	14897	15731	15751	15769	15772	15789	16679	16697	16715	16718	16738
	S/T	0.50	0.58	0.66	0.66	0.76	0.53	0.62	0.70	0.70	0.80	0.56	0.65	0.74	0.74	0.85	0.59	0.69	0.79	0.79	0.90
	PI	1.56	1.56	1.56	1.56	1.56	1.65	1.65	1.65	1.65	1.65	1.75	1.75	1.75	1.75	1.75	1.85	1.85	1.86	1.86	1.86
110°F	TC	12704	12721	12735	12735	12753	13470	13486	13499	13502	13518	14274	14293	14309	14311	14327	15134	15151	15167	15170	15189
	S/T	0.51	0.60	0.69	0.69	0.78	0.55	0.64	0.73	0.73	0.83	0.58	0.68	0.77	0.77	0.88	0.61	0.72	0.82	0.82	0.93
	PI	1.51	1.51	1.51	1.51	1.51	1.60	1.60	1.60	1.60	1.60	1.69	1.69	1.70	1.70	1.70	1.79	1.80	1.80	1.80	1.80
115°F	TC	12020	12036	12049	12050	12066	12744	12759	12772	12775	12790	13506	13523	13538	13541	13556	14319	14335	14351	14353	14371
	S/T	0.52	0.61	0.69	0.69	0.79	0.55	0.65	0.74	0.74	0.84	0.59	0.69	0.78	0.78	0.89	0.62	0.73	0.83	0.83	0.94
	PI	1.58	1.59	1.59	1.59	1.59	1.68	1.68	1.68	1.68	1.68	1.78	1.78	1.78	1.78	1.79	1.89	1.89	1.89	1.89	1.89
122°F	TC	11108	11123	11135	11135	11150	11777	11791	11803	11805	11819	12481	12497	12511	12513	12527	13233	13247	13262	13264	13280
	S/T	0.53	0.63	0.71	0.71	0.81	0.57	0.66	0.75	0.75	0.86	0.60	0.70	0.80	0.80	0.91	0.63	0.75	0.85	0.85	0.97
	PI	1.69	1.69	1.69	1.69	1.69	1.79	1.79	1.79	1.79	1.80	1.90	1.90	1.90	1.90	1.90	2.01	2.01	2.02	2.02	2.02

18HSHP-HH-SYS-B Expanded Cooling @ 529 CFM

OD DB	ID WB (°F)	60.8 °F					64.4°F					67.0°F					71.6°F				
		ID DB (°F)	73.4 °F	77.0 °F	80.0 °F	80.6 °F	84.2 °F	73.4 °F	77.0 °F	80.0 °F	80.6 °F	84.2 °F	73.4 °F	77.0 °F	80.0 °F	80.6 °F	84.2 °F	73.4 °F	77.0 °F	80.0 °F	80.6 °F
50°F	TC	15603	15624	15641	15642	15663	16544	16563	16580	16583	16603	17532	17555	17575	17578	17597	18589	18609	18629	18632	18655
	S/T	0.47	0.55	0.62	0.62	0.71	0.49	0.58	0.66	0.66	0.75	0.52	0.62	0.70	0.70	0.80	0.56	0.65	0.74	0.74	0.85
	PI	0.66	0.66	0.66	0.66	0.66	0.70	0.70	0.70	0.70	0.70	0.74	0.75	0.75	0.75	0.75	0.79	0.79	0.79	0.79	0.79
59°F	TC	16211	16233	16250	16251	16273	17188	17208	17225	17229	17249	18215	18238	18259	18262	18282	19312	19333	19354	19357	19381
	S/T	0.47	0.55	0.63	0.63	0.71	0.50	0.58	0.66	0.66	0.76	0.53	0.62	0.70	0.70	0.80	0.56	0.66	0.75	0.75	0.85
	PI	0.77	0.77	0.77	0.77	0.77	0.82	0.82	0.82	0.82	0.82	0.87	0.87	0.87	0.87	0.87	0.92	0.92	0.92	0.92	0.92
68°F	TC	16818	16841	16859	16860	16882	17832	17853	17871	17874	17895	18897	18922	18943	18946	18967	20036	20057	20079	20082	20107
	S/T	0.48	0.57	0.64	0.64	0.73	0.51	0.60	0.68	0.68	0.78	0.54	0.64	0.72	0.72	0.82	0.57	0.67	0.77	0.77	0.87
	PI	0.88	0.88	0.88	0.88	0.88	0.93	0.93	0.93	0.93	0.93	0.99	0.99	0.99	0.99	0.99	1.05	1.05	1.05	1.05	1.05
77°F	TC	17426	17449	17468	17469	17492	18476	18498	18516	18520	18542	19580	19605	19627	19631	19652	20759	20782	20804	20808	20834
	S/T	0.49	0.57	0.65	0.65	0.74	0.52	0.61	0.69	0.69	0.79	0.55	0.64	0.73	0.73	0.83	0.58	0.68	0.78	0.78	0.88
	PI	0.99	0.99	0.99	0.99	0.99	1.04	1.05	1.05	1.05	1.05	1.11	1.11	1.11	1.11	1.11	1.17	1.17	1.18	1.18	1.18
80°F	TC	17632	17656	17675	17676	17699	18695	18717	18735	18739	18761	19812	19837	19859	19863	19885	21005	21028	21051	21054	21081
	S/T	0.49	0.58	0.66	0.66	0.75	0.52	0.61	0.70	0.70	0.80	0.56	0.65	0.74	0.74	0.84	0.59	0.69	0.78	0.79	0.89
	PI	1.02	1.02	1.02	1.02	1.03	1.08	1.08	1.09	1.09	1.09	1.15	1.15	1.15	1.15	1.15	1.22	1.22	1.22	1.22	1.22
86°F	TC	17258	17281	17300	17301	17324	18298	18320	18338	18342	18363	19391	19417	19438	19442	19464	20560	20582	20605	20608	20633
	S/T	0.50	0.59	0.67	0.67	0.76	0.53	0.62	0.71	0.71	0.81	0.56	0.66	0.75	0.75	0.85	0.60	0.70	0.79	0.80	0.91
	PI	1.29	1.29	1.29	1.29	1.29	1.37	1.37	1.37	1.37	1.37	1.45	1.45	1.45	1.45	1.45	1.53	1.54	1.54	1.54	1.54
95°F	TC	16692	16714	16732	16733	16755	17698	17718	17736	17739	17761	18755	18779	18800	18804	18825	19885	19906	19928	19931	19956
	S/T	0.50	0.59	0.67	0.67	0.76	0.53	0.62	0.71	0.71	0.81	0.56	0.66	0.75	0.75	0.85	0.60	0.70	0.79	0.80	0.91
	PI	1.69	1.70	1.70	1.70	1.70	1.79	1.80	1.80	1.80	1.80	1.90	1.90	1.91	1.91	1.91	2.02	2.02	2.02	2.02	2.02
104°F	TC	14460	14480	14495	14496	14515	15332	15350	15365	15368	15386	16248	16269	16287	16290	16308	17226	17245	17264	17267	17288
	S/T	0.51	0.60	0.68	0.68	0.78	0.54	0.64	0.73	0.73	0.83	0.58	0.68	0.77	0.77	0.88	0.61	0.72	0.81	0.81	0.93
	PI	1.61	1.61	1.61	1.61	1.61	1.70	1.71	1.71	1.71	1.71	1.80	1.81	1.81	1.81	1.81	1.91	1.92	1.92	1.92	1.92
110°F	TC	13121	13139	13153	13154	13171	13912	13928	13942	13945	13962	14743	14762	14779	14781	14798	15631	15648	15665	15668	15687
	S/T	0.53	0.62	0.71	0.71	0.81	0.56	0.66	0.75	0.75	0.86	0.60	0.70	0.80	0.80	0.91	0.63	0.74	0.84	0.84	0.96
	PI	1.55	1.56	1.56	1.56	1.56	1.65	1.65	1.65	1.65	1.65	1.75	1.75	1.75	1.75	1.75	1.85	1.85	1.86	1.86	1.86
115°F	TC	12415	12431	12445	12445	12462	13163	13179	13192	13194	13210	13949	13967	13983	13986	14001	14790	14806	14822	14824	14843
	S/T	0.54	0.63	0.72	0.72	0.82	0.57	0.67	0.76	0.76	0.87	0.60	0.71	0.81	0.81	0.92	0.64	0.75	0.85	0.85	0.97
	PI	1.64	1.64	1.64	1.64	1.64	1.73	1.74	1.74	1.74	1.74	1.84	1.84	1.84	1.84	1.84	1.95	1.95	1.95	1.95	1.96
122°F	TC	11473	11488	11501	11501	11517	12164	12179	12191	12193	12207	12891	12908	12922	12924	12939	13668	13682	13697	13699	13717
	S/T	0.55	0.65	0.73	0.73	0.84	0.58	0.68	0.78	0.78	0.89	0.62	0.73	0.82	0.83	0.94	0.66	0.77	0.87	0.87	1.00
	PI	1.74	1.75	1.75	1.75	1.75	1.85	1.85	1.85	1.85	1.86	1.96	1.96	1.96	1.96	1.97	2.08	2.08	2.08	2.08	2.08

18HSHP-HH-SYS-B Expanded Cooling @ 564 CFM

OD DB	ID WB (°F)	60.8 °F					64.4°F					67.0°F					71.6°F				
	ID DB (°F)	73.4 °F	77.0 °F	80.0 °F	80.6 °F	84.2 °F	73.4 °F	77.0 °F	80.0 °F	80.6 °F	84.2 °F	73.4 °F	77.0 °F	80.0 °F	80.6 °F	84.2 °F	73.4 °F	77.0 °F	80.0 °F	80.6 °F	84.2 °F
50°F	TC	16116	16138	16155	16156	16177	17087	17107	17124	17128	17148	18108	18132	18152	18155	18175	19199	19220	19241	19244	19268
	S/T	0.48	0.57	0.64	0.64	0.73	0.51	0.60	0.68	0.68	0.78	0.54	0.64	0.72	0.72	0.82	0.57	0.67	0.77	0.77	0.87
	PI	0.68	0.69	0.69	0.69	0.69	0.73	0.73	0.73	0.73	0.73	0.77	0.77	0.77	0.77	0.77	0.82	0.82	0.82	0.82	0.82
59°F	TC	16743	16766	16784	16785	16807	17752	17773	17791	17794	17816	18813	18837	18858	18862	18883	19946	19968	19990	19993	20018
	S/T	0.48	0.57	0.65	0.65	0.74	0.51	0.60	0.69	0.69	0.78	0.54	0.64	0.73	0.73	0.83	0.58	0.68	0.77	0.77	0.88
	PI	0.80	0.80	0.80	0.80	0.80	0.84	0.84	0.84	0.85	0.85	0.89	0.89	0.90	0.90	0.90	0.95	0.95	0.95	0.95	0.95
68°F	TC	17371	17394	17413	17413	17437	18417	18439	18457	18461	18483	19518	19543	19565	19569	19590	20694	20716	20739	20742	20768
	S/T	0.50	0.58	0.66	0.66	0.76	0.53	0.62	0.70	0.70	0.80	0.56	0.66	0.75	0.75	0.85	0.59	0.70	0.79	0.79	0.90
	PI	0.91	0.91	0.91	0.91	0.91	0.96	0.96	0.96	0.96	0.96	1.02	1.02	1.02	1.02	1.02	1.08	1.08	1.08	1.08	1.08
77°F	TC	17998	18022	18042	18042	18067	19083	19105	19124	19128	19151	20223	20249	20272	20275	20298	21441	21464	21488	21491	21518
	S/T	0.50	0.59	0.67	0.67	0.77	0.53	0.63	0.71	0.71	0.81	0.57	0.66	0.76	0.76	0.86	0.60	0.70	0.80	0.80	0.91
	PI	1.02	1.02	1.02	1.02	1.02	1.08	1.08	1.08	1.08	1.08	1.14	1.14	1.15	1.15	1.15	1.21	1.21	1.21	1.21	1.22
80°F	TC	18211	18236	18255	18256	18281	19309	19332	19351	19355	19378	20462	20489	20512	20516	20538	21695	21719	21742	21746	21773
	S/T	0.51	0.60	0.68	0.68	0.78	0.54	0.63	0.72	0.72	0.82	0.57	0.67	0.76	0.76	0.87	0.61	0.71	0.81	0.81	0.92
	PI	1.06	1.06	1.06	1.06	1.06	1.12	1.12	1.12	1.12	1.12	1.19	1.19	1.19	1.19	1.19	1.26	1.26	1.26	1.26	1.26
86°F	TC	17825	17849	17868	17869	17893	18899	18922	18940	18944	18967	20028	20054	20077	20080	20103	21235	21258	21281	21285	21311
	S/T	0.52	0.61	0.69	0.69	0.79	0.55	0.64	0.73	0.73	0.83	0.58	0.68	0.77	0.77	0.88	0.62	0.72	0.82	0.82	0.94
	PI	1.33	1.33	1.33	1.33	1.34	1.41	1.41	1.41	1.41	1.42	1.50	1.50	1.50	1.50	1.50	1.59	1.59	1.59	1.59	1.59
95°F	TC	17240	17263	17282	17282	17306	18279	18300	18319	18322	18344	19371	19396	19418	19421	19443	20538	20560	20583	20586	20612
	S/T	0.52	0.61	0.69	0.69	0.79	0.55	0.64	0.73	0.73	0.83	0.58	0.68	0.77	0.77	0.88	0.62	0.72	0.82	0.82	0.94
	PI	1.75	1.75	1.75	1.75	1.75	1.85	1.86	1.86	1.86	1.86	1.96	1.97	1.97	1.97	1.97	2.08	2.09	2.09	2.09	2.09
104°F	TC	14935	14955	14971	14972	14992	15835	15854	15870	15873	15892	16781	16803	16822	16825	16844	17792	17812	17831	17834	17856
	S/T	0.53	0.62	0.71	0.71	0.81	0.56	0.66	0.75	0.75	0.85	0.60	0.70	0.79	0.79	0.91	0.63	0.74	0.84	0.84	0.96
	PI	1.66	1.66	1.66	1.66	1.67	1.76	1.76	1.76	1.76	1.77	1.86	1.87	1.87	1.87	1.87	1.98	1.98	1.98	1.98	1.98
110°F	TC	13552	13570	13585	13586	13604	14369	14386	14400	14403	14420	15227	15247	15264	15267	15284	16145	16162	16180	16183	16203
	S/T	0.55	0.64	0.73	0.73	0.83	0.58	0.68	0.78	0.78	0.89	0.62	0.72	0.82	0.82	0.94	0.65	0.77	0.87	0.87	0.99
	PI	1.61	1.61	1.61	1.61	1.61	1.70	1.70	1.71	1.71	1.71	1.80	1.81	1.81	1.81	1.81	1.91	1.91	1.92	1.92	1.92
115°F	TC	12823	12840	12854	12854	12871	13595	13611	13625	13627	13644	14407	14426	14442	14445	14461	15276	15292	15309	15311	15330
	S/T	0.56	0.65	0.74	0.74	0.84	0.59	0.69	0.79	0.79	0.90	0.62	0.73	0.83	0.83	0.95	0.66	0.78	0.88	0.88	1.00
	PI	1.69	1.69	1.69	1.69	1.70	1.79	1.79	1.79	1.80	1.80	1.90	1.90	1.90	1.90	1.91	2.01	2.01	2.02	2.02	2.02
122°F	TC	11850	11866	11878	11879	11895	12564	12579	12591	12593	12608	13314	13332	13346	13349	13364	14117	14132	14147	14149	14167
	S/T	0.57	0.67	0.76	0.76	0.86	0.60	0.71	0.80	0.80	0.92	0.64	0.75	0.85	0.85	0.97	0.68	0.79	0.90	0.90	1.00
	PI	1.80	1.80	1.81	1.81	1.81	1.91	1.91	1.91	1.91	1.92	2.02	2.03	2.03	2.03	2.03	2.15	2.15	2.15	2.15	2.15

18HSHP-HH-SYS-B Expanded Cooling @ 600 CFM

OD DB	ID WB (°F)	60.8 °F					64.4°F					67.0°F					71.6°F				
		ID DB (°F)	73.4 °F	77.0 °F	80.0 °F	80.6 °F	84.2 °F	73.4 °F	77.0 °F	80.0 °F	80.6 °F	84.2 °F	73.4 °F	77.0 °F	80.0 °F	80.6 °F	84.2 °F	73.4 °F	77.0 °F	80.0 °F	80.6 °F
50°F	TC	16645	16668	16686	16686	16709	17648	17669	17687	17690	17711	18703	18727	18748	18751	18772	19830	19851	19873	19876	19901
	S/T	0.50	0.58	0.66	0.66	0.76	0.53	0.62	0.70	0.70	0.80	0.56	0.66	0.75	0.75	0.85	0.59	0.70	0.79	0.79	0.90
	PI	0.71	0.71	0.71	0.71	0.71	0.75	0.75	0.75	0.75	0.75	0.79	0.80	0.80	0.80	0.80	0.84	0.84	0.84	0.84	0.84
59°F	TC	17293	17316	17335	17336	17359	18335	18357	18375	18379	18401	19431	19456	19478	19481	19503	20602	20624	20646	20650	20675
	S/T	0.50	0.59	0.67	0.67	0.76	0.53	0.62	0.71	0.71	0.81	0.56	0.66	0.75	0.75	0.86	0.60	0.70	0.80	0.80	0.91
	PI	0.82	0.82	0.82	0.82	0.82	0.87	0.87	0.87	0.87	0.87	0.92	0.92	0.93	0.93	0.93	0.98	0.98	0.98	0.98	0.98
68°F	TC	17941	17965	17985	17985	18010	19022	19045	19064	19067	19090	20159	20185	20208	20211	20234	21373	21397	21420	21423	21450
	S/T	0.51	0.60	0.69	0.69	0.78	0.54	0.64	0.73	0.73	0.83	0.58	0.68	0.77	0.77	0.88	0.61	0.72	0.82	0.82	0.93
	PI	0.94	0.94	0.94	0.94	0.94	0.99	0.99	0.99	0.99	1.00	1.05	1.05	1.05	1.05	1.06	1.12	1.12	1.12	1.12	1.12
77°F	TC	18589	18614	18634	18635	18660	19709	19733	19752	19756	19780	20887	20914	20937	20941	20965	22145	22169	22194	22197	22225
	S/T	0.52	0.61	0.69	0.69	0.79	0.55	0.65	0.74	0.74	0.84	0.59	0.69	0.78	0.78	0.89	0.62	0.73	0.83	0.83	0.94
	PI	1.05	1.05	1.05	1.05	1.05	1.11	1.12	1.12	1.12	1.12	1.18	1.18	1.18	1.18	1.19	1.25	1.25	1.25	1.25	1.26
80°F	TC	18809	18835	18855	18856	18881	19943	19967	19986	19990	20014	21134	21162	21185	21189	21213	22408	22432	22457	22460	22488
	S/T	0.53	0.62	0.70	0.70	0.80	0.56	0.66	0.75	0.75	0.85	0.59	0.70	0.79	0.79	0.90	0.63	0.74	0.84	0.84	0.95
	PI	1.09	1.09	1.09	1.09	1.09	1.16	1.16	1.16	1.16	1.16	1.22	1.23	1.23	1.23	1.23	1.30	1.30	1.30	1.30	1.30
86°F	TC	18410	18435	18455	18456	18481	19520	19543	19562	19566	19589	20686	20713	20736	20740	20763	21933	21956	21980	21984	22011
	S/T	0.53	0.63	0.71	0.71	0.81	0.57	0.66	0.75	0.75	0.86	0.60	0.70	0.80	0.80	0.91	0.64	0.75	0.85	0.85	0.97
	PI	1.37	1.38	1.38	1.38	1.38	1.46	1.46	1.46	1.46	1.46	1.54	1.55	1.55	1.55	1.55	1.64	1.64	1.64	1.64	1.64
95°F	TC	17806	17830	17849	17850	17874	18879	18902	18920	18924	18946	20007	20033	20055	20059	20082	21213	21236	21259	21262	21289
	S/T	0.53	0.63	0.71	0.71	0.81	0.57	0.66	0.75	0.75	0.86	0.60	0.70	0.80	0.80	0.91	0.64	0.75	0.85	0.85	0.97
	PI	1.81	1.81	1.81	1.81	1.81	1.91	1.92	1.92	1.92	1.92	2.03	2.03	2.03	2.03	2.04	2.15	2.15	2.16	2.16	2.16
104°F	TC	15426	15446	15463	15464	15485	16355	16375	16391	16394	16413	17332	17355	17374	17377	17397	18377	18397	18417	18420	18442
	S/T	0.55	0.64	0.73	0.73	0.83	0.58	0.68	0.77	0.77	0.88	0.62	0.72	0.82	0.82	0.93	0.65	0.76	0.87	0.87	0.99
	PI	1.71	1.72	1.72	1.72	1.72	1.82	1.82	1.82	1.82	1.82	1.93	1.93	1.93	1.93	1.93	2.04	2.04	2.05	2.05	2.05
110°F	TC	13997	14016	14031	14032	14051	14841	14858	14873	14876	14894	15728	15748	15765	15768	15786	16675	16693	16711	16714	16735
	S/T	0.57	0.67	0.76	0.76	0.86	0.60	0.71	0.80	0.80	0.91	0.64	0.75	0.85	0.85	0.97	0.68	0.79	0.90	0.90	1.00
	PI	1.66	1.66	1.66	1.66	1.66	1.76	1.76	1.76	1.76	1.76	1.86	1.87	1.87	1.87	1.87	1.98	1.98	1.98	1.98	1.98
115°F	TC	13244	13261	13276	13276	13294	14042	14058	14072	14075	14092	14881	14900	14917	14919	14936	15777	15794	15812	15814	15834
	S/T	0.57	0.67	0.77	0.77	0.87	0.61	0.71	0.81	0.81	0.92	0.65	0.76	0.86	0.86	0.98	0.68	0.80	0.91	0.91	1.00
	PI	1.74	1.75	1.75	1.75	1.75	1.85	1.85	1.85	1.85	1.86	1.96	1.96	1.97	1.97	1.97	2.08	2.08	2.08	2.08	2.09
122°F	TC	12239	12255	12268	12269	12286	12976	12992	13005	13007	13023	13752	13769	13785	13787	13803	14580	14596	14612	14614	14632
	S/T	0.59	0.69	0.78	0.78	0.89	0.62	0.73	0.83	0.83	0.95	0.66	0.77	0.88	0.88	1.00	0.70	0.82	0.93	0.93	1.00
	PI	1.86	1.86	1.86	1.86	1.87	1.97	1.97	1.98	1.98	1.98	2.09	2.09	2.09	2.10	2.10	2.22	2.22	2.22	2.22	2.22

18HSHP-HH-SYS-B Expanded Heating @ 488 CFM

CFM	HEATING PERFORMANCE AT INDOOR DRY BULB TEMPERATURE										
	ODDB	TC : Total Heating Capacity(BTU/hr)					PI : Power Input(kW)				
		Indoor Conditions (DB °F)					Indoor Conditions (DB °F)				
		60.8°F	68°F	70°F	71.6°F	75.2°F	60.8°F	68°F	70°F	71.6°F	75.2°F
488	-22°F	8259	8094	8053	8305	8230	2.09	2.11	2.11	2.12	2.12
	-13°F	10884	10666	10613	10524	10430	2.30	2.32	2.32	2.33	2.34
	-4°F	13085	12823	12759	12653	12539	2.48	2.50	2.51	2.51	2.52
	0°F	14646	14353	14281	14162	14035	2.61	2.64	2.64	2.65	2.66
	5°F	16597	16265	16184	16049	15904	2.78	2.80	2.81	2.81	2.82
	14°F	16831	16495	16412	16275	16129	2.68	2.71	2.71	2.72	2.73
	17°F	16909	16571	16488	16351	16203	2.65	2.67	2.68	2.68	2.69
	22°F	16530	16199	16118	15984	15840	2.45	2.47	2.48	2.48	2.49
	27°F	16150	15827	15748	15617	15476	2.25	2.27	2.28	2.28	2.29
	32°F	15771	15455	15378	15250	15112	2.06	2.07	2.08	2.08	2.09
	35°F	15543	15232	15156	15029	14894	1.94	1.95	1.96	1.96	1.97
	37°F	16050	15729	15651	15520	15380	1.93	1.94	1.95	1.95	1.96
	42°F	17319	16972	16888	16746	16596	1.90	1.92	1.92	1.93	1.93
	44.6°F	17826	17470	17382	17237	17082	1.89	1.91	1.91	1.92	1.92
	47°F	18587	18215	18124	17973	17811	1.88	1.89	1.90	1.90	1.91
	52°F	17220	16876	16792	16651	16501	1.82	1.84	1.84	1.85	1.85
	57°F	15854	15537	15459	15330	15192	1.77	1.78	1.79	1.79	1.80
59°F	15307	15001	14926	14801	14668	1.75	1.76	1.76	1.77	1.77	
62°F	14487	14197	14126	14008	13882	1.71	1.73	1.73	1.73	1.74	
64.4°F	13940	13662	13593	13480	13358	1.69	1.70	1.71	1.71	1.72	

18HSHP-HH-SYS-B Expanded Heating @ 529 CFM

CFM	HEATING PERFORMANCE AT INDOOR DRY BULB TEMPERATURE										
	ODDB	TC : Total Heating Capacity(BTU/hr)					PI : Power Input(kW)				
		Indoor Conditions (DB °F)					Indoor Conditions (DB °F)				
		60.8°F	68°F	70°F	71.6°F	75.2°F	60.8°F	68°F	70°F	71.6°F	75.2°F
529	-22°F	8699	8525	8482	8597	8519	2.11	2.13	2.13	2.14	2.15
	-13°F	11242	11017	10962	10894	10796	2.32	2.34	2.35	2.35	2.36
	-4°F	13515	13244	13178	13097	12979	2.51	2.53	2.53	2.54	2.55
	0°F	15127	14825	14750	14659	14527	2.64	2.66	2.67	2.67	2.68
	5°F	17142	16800	16716	16612	16463	2.81	2.83	2.84	2.84	2.85
	14°F	17384	17036	16951	16847	16695	2.71	2.73	2.74	2.74	2.75
	17°F	17465	17115	17030	16925	16772	2.68	2.70	2.71	2.71	2.72
	22°F	17073	16731	16648	16545	16396	2.48	2.50	2.50	2.51	2.52
	27°F	16681	16347	16265	16165	16019	2.28	2.30	2.30	2.31	2.31
	32°F	16289	15963	15883	15785	15643	2.08	2.09	2.10	2.10	2.11
	35°F	16054	15733	15654	15557	15417	1.96	1.97	1.98	1.98	1.99
	37°F	16578	16246	16165	16065	15920	1.95	1.96	1.97	1.97	1.98
	42°F	17888	17530	17442	17334	17178	1.92	1.94	1.94	1.95	1.95
	44.6°F	18412	18043	17953	17842	17682	1.91	1.93	1.93	1.94	1.94
	47°F	19198	18814	18720	18604	18436	1.90	1.91	1.92	1.92	1.93
	52°F	17786	17430	17343	17236	17081	1.84	1.86	1.86	1.86	1.87
	57°F	16374	16047	15967	15868	15725	1.79	1.80	1.80	1.81	1.82
59°F	15810	15494	15416	15321	15183	1.76	1.78	1.78	1.79	1.79	
62°F	14963	14664	14590	14500	14370	1.73	1.74	1.75	1.75	1.76	
64.4°F	14398	14110	14040	13953	13827	1.71	1.72	1.73	1.73	1.74	

18HSHP-HH-SYS-B Expanded Heating @ 564 CFM

CFM	HEATING PERFORMANCE AT INDOOR DRY BULB TEMPERATURE										
	ODDB	TC : Total Heating Capacity(BTU/hr)					PI : Power Input(kW)				
		Indoor Conditions (DB °F)					Indoor Conditions (DB °F)				
		60.8°F	68°F	70°F	71.6°F	75.2°F	60.8°F	68°F	70°F	71.6°F	75.2°F
564	-22°F	9162	8979	8934	8899	8818	2.13	2.15	2.15	2.16	2.17
	-13°F	11611	11379	11322	11276	11175	2.35	2.37	2.37	2.38	2.38
	-4°F	13959	13679	13611	13557	13435	2.53	2.55	2.56	2.56	2.57
	0°F	15624	15311	15235	15174	15037	2.67	2.69	2.69	2.70	2.71
	5°F	17706	17351	17265	17196	17041	2.84	2.86	2.86	2.87	2.88
	14°F	17955	17596	17508	17438	17281	2.74	2.76	2.77	2.77	2.78
	17°F	18038	17678	17589	17519	17361	2.71	2.73	2.73	2.74	2.75
	22°F	17633	17281	17194	17126	16971	2.50	2.52	2.53	2.53	2.54
	27°F	17229	16884	16800	16732	16582	2.30	2.32	2.32	2.33	2.34
	32°F	16824	16487	16405	16339	16192	2.10	2.12	2.12	2.12	2.13
	35°F	16581	16249	16168	16103	15958	1.98	1.99	2.00	2.00	2.01
	37°F	17122	16780	16696	16629	16479	1.97	1.98	1.99	1.99	2.00
	42°F	18475	18106	18015	17943	17782	1.94	1.96	1.96	1.97	1.97
	44.6°F	19016	18636	18543	18469	18302	1.93	1.95	1.95	1.96	1.96
	47°F	19828	19432	19334	19257	19084	1.92	1.93	1.94	1.94	1.95
	52°F	18370	18003	17913	17841	17681	1.86	1.88	1.88	1.88	1.89
	57°F	16912	16574	16491	16425	16277	1.80	1.82	1.82	1.83	1.83
	59°F	16329	16002	15922	15859	15716	1.78	1.80	1.80	1.80	1.81
62°F	15454	15145	15069	15009	14874	1.75	1.76	1.77	1.77	1.78	
64.4°F	14871	14574	14501	14443	14313	1.73	1.74	1.74	1.75	1.75	

18HSHP-HH-SYS-B Expanded Heating @ 600 CFM

CFM	HEATING PERFORMANCE AT INDOOR DRY BULB TEMPERATURE										
	ODDB	TC : Total Heating Capacity(BTU/hr)					PI : Power Input(kW)				
		Indoor Conditions (DB °F)					Indoor Conditions (DB °F)				
		60.8°F	68°F	70°F	71.6°F	75.2°F	60.8°F	68°F	70°F	71.6°F	75.2°F
600	-22°F	9463	9274	9228	9191	9108	2.15	2.17	2.18	2.18	2.19
	-13°F	11992	11752	11694	11647	11542	2.37	2.39	2.39	2.40	2.41
	-4°F	14417	14129	14058	14002	13876	2.56	2.58	2.58	2.59	2.60
	0°F	16137	15814	15735	15672	15531	2.69	2.72	2.72	2.73	2.74
	5°F	18287	17921	17832	17760	17601	2.86	2.89	2.89	2.90	2.91
	14°F	18545	18174	18083	18011	17849	2.77	2.79	2.79	2.80	2.81
	17°F	18631	18258	18167	18094	17931	2.73	2.75	2.76	2.77	2.78
	22°F	18213	17848	17759	17688	17529	2.53	2.55	2.55	2.56	2.57
	27°F	17794	17439	17351	17282	17126	2.32	2.34	2.35	2.35	2.36
	32°F	17376	17029	16944	16876	16724	2.12	2.14	2.14	2.15	2.15
	35°F	17125	16783	16699	16632	16483	2.00	2.01	2.02	2.02	2.03
	37°F	17684	17331	17244	17175	17021	1.99	2.00	2.01	2.01	2.02
	42°F	19082	18700	18607	18532	18366	1.96	1.98	1.98	1.99	1.99
	44.6°F	19641	19248	19152	19075	18904	1.95	1.97	1.97	1.98	1.98
	47°F	20479	20070	19969	19890	19711	1.94	1.95	1.96	1.96	1.97
	52°F	18974	18594	18501	18427	18261	1.88	1.89	1.90	1.90	1.91
	57°F	17468	17118	17033	16965	16812	1.82	1.84	1.84	1.84	1.85
59°F	16865	16528	16445	16380	16232	1.80	1.81	1.82	1.82	1.83	
62°F	15962	15643	15564	15502	15363	1.77	1.78	1.78	1.79	1.79	
64.4°F	15360	15052	14977	14917	14783	1.74	1.76	1.76	1.76	1.77	

24HSHP-HH-SYS-B Expanded Cooling @ 629 CFM

OD DB	ID WB (°F)	60.8 °F					64.4°F					67.0°F					71.6°F				
		ID DB (°F)	73.4 °F	77.0 °F	80.0 °F	80.6 °F	84.2 °F	73.4 °F	77.0 °F	80.0 °F	80.6 °F	84.2 °F	73.4 °F	77.0 °F	80.0 °F	80.6 °F	84.2 °F	73.4 °F	77.0 °F	80.0 °F	80.6 °F
50°F	TC	15972	15994	16011	16011	16033	16935	16955	16971	16975	16995	17946	17970	17990	17993	18013	19028	19048	19069	19072	19096
	S/T	0.43	0.50	0.57	0.57	0.65	0.45	0.53	0.60	0.60	0.69	0.48	0.56	0.64	0.64	0.73	0.51	0.60	0.68	0.68	0.77
	PI	0.85	0.85	0.85	0.85	0.85	0.90	0.90	0.90	0.90	0.90	0.95	0.96	0.96	0.96	0.96	1.01	1.01	1.01	1.01	1.02
59°F	TC	16048	16070	16087	16088	16110	17015	17036	17052	17056	17076	18032	18055	18076	18079	18099	19119	19139	19160	19163	19187
	S/T	0.43	0.50	0.57	0.57	0.65	0.45	0.53	0.60	0.60	0.69	0.48	0.56	0.64	0.64	0.73	0.51	0.60	0.68	0.68	0.77
	PI	0.87	0.87	0.87	0.87	0.87	0.92	0.92	0.92	0.92	0.93	0.98	0.98	0.98	0.98	0.98	1.04	1.04	1.04	1.04	1.04
68°F	TC	16125	16146	16164	16164	16186	17096	17117	17133	17137	17157	18118	18141	18162	18165	18185	19209	19230	19251	19254	19278
	S/T	0.44	0.52	0.59	0.59	0.67	0.47	0.55	0.62	0.62	0.71	0.49	0.58	0.66	0.66	0.75	0.52	0.61	0.70	0.70	0.80
	PI	0.89	0.89	0.89	0.89	0.89	0.94	0.95	0.95	0.95	0.95	1.00	1.00	1.00	1.00	1.00	1.06	1.06	1.06	1.06	1.07
77°F	TC	16201	16223	16240	16241	16263	17177	17198	17215	17218	17238	18203	18227	18247	18251	18271	19300	19321	19342	19345	19369
	S/T	0.45	0.52	0.59	0.59	0.68	0.47	0.55	0.63	0.63	0.72	0.50	0.59	0.67	0.67	0.76	0.53	0.62	0.71	0.71	0.81
	PI	0.91	0.91	0.91	0.91	0.91	0.97	0.97	0.97	0.97	0.97	1.02	1.03	1.03	1.03	1.03	1.09	1.09	1.09	1.09	1.09
80°F	TC	16227	16249	16266	16267	16289	17205	17225	17242	17246	17266	18233	18256	18277	18280	18300	19331	19352	19373	19376	19400
	S/T	0.45	0.53	0.60	0.60	0.69	0.48	0.56	0.64	0.64	0.73	0.51	0.59	0.68	0.68	0.77	0.54	0.63	0.72	0.72	0.82
	PI	0.92	0.92	0.92	0.92	0.92	0.97	0.97	0.98	0.98	0.98	1.03	1.03	1.03	1.03	1.04	1.09	1.10	1.10	1.10	1.10
86°F	TC	17355	17379	17397	17398	17422	18401	18423	18441	18445	18467	19501	19526	19548	19551	19573	20676	20698	20721	20724	20750
	S/T	0.46	0.54	0.61	0.61	0.69	0.48	0.57	0.65	0.65	0.74	0.51	0.60	0.68	0.68	0.78	0.54	0.64	0.72	0.72	0.83
	PI	1.46	1.46	1.46	1.46	1.47	1.55	1.55	1.55	1.55	1.55	1.64	1.64	1.65	1.65	1.65	1.74	1.74	1.74	1.74	1.75
95°F	TC	19065	19091	19111	19112	19138	20214	20238	20258	20262	20286	21422	21450	21473	21477	21501	22712	22737	22762	22765	22794
	S/T	0.46	0.54	0.61	0.61	0.69	0.48	0.57	0.65	0.65	0.74	0.51	0.60	0.68	0.68	0.78	0.54	0.64	0.72	0.72	0.83
	PI	2.28	2.29	2.29	2.29	2.29	2.42	2.42	2.43	2.43	2.43	2.57	2.57	2.57	2.57	2.58	2.72	2.72	2.73	2.73	2.73
104°F	TC	17844	17868	17888	17888	17913	18920	18942	18961	18965	18987	20050	20076	20099	20102	20125	21258	21281	21304	21308	21334
	S/T	0.47	0.55	0.62	0.62	0.71	0.50	0.58	0.66	0.66	0.75	0.53	0.62	0.70	0.70	0.80	0.56	0.65	0.74	0.74	0.85
	PI	2.28	2.28	2.28	2.29	2.29	2.42	2.42	2.42	2.42	2.43	2.56	2.56	2.57	2.57	2.57	2.72	2.72	2.72	2.72	2.73
110°F	TC	17112	17135	17153	17154	17177	18143	18165	18183	18186	18208	19227	19252	19274	19277	19299	20386	20408	20430	20433	20459
	S/T	0.49	0.57	0.65	0.65	0.74	0.51	0.60	0.69	0.69	0.78	0.54	0.64	0.73	0.73	0.83	0.58	0.68	0.77	0.77	0.88
	PI	2.28	2.28	2.28	2.28	2.29	2.41	2.42	2.42	2.42	2.42	2.56	2.56	2.56	2.56	2.57	2.71	2.72	2.72	2.72	2.72
115°F	TC	13856	13874	13889	13890	13909	14691	14708	14723	14725	14743	15568	15589	15606	15609	15626	16506	16524	16542	16545	16565
	S/T	0.49	0.58	0.65	0.65	0.75	0.52	0.61	0.69	0.69	0.79	0.55	0.65	0.74	0.74	0.84	0.58	0.69	0.78	0.78	0.89
	PI	1.88	1.88	1.88	1.88	1.89	1.99	2.00	2.00	2.00	2.00	2.11	2.11	2.12	2.12	2.12	2.24	2.24	2.24	2.24	2.25
122°F	TC	9514	9527	9537	9537	9550	10087	10099	10109	10111	10123	10690	10704	10716	10718	10730	11334	11346	11359	11360	11375
	S/T	0.50	0.59	0.67	0.67	0.76	0.53	0.62	0.71	0.71	0.81	0.56	0.66	0.75	0.75	0.86	0.60	0.70	0.80	0.80	0.91
	PI	1.35	1.35	1.35	1.35	1.35	1.43	1.43	1.43	1.43	1.44	1.52	1.52	1.52	1.52	1.52	1.61	1.61	1.61	1.61	1.61

24HSHP-HH-SYS-B Expanded Cooling @ 647 CFM

OD DB	ID WB (°F)	60.8 °F					64.4°F					67.0°F					71.6°F				
		ID DB (°F)	73.4 °F	77.0 °F	80.0 °F	80.6 °F	84.2 °F	73.4 °F	77.0 °F	80.0 °F	80.6 °F	84.2 °F	73.4 °F	77.0 °F	80.0 °F	80.6 °F	84.2 °F	73.4 °F	77.0 °F	80.0 °F	80.6 °F
50°F	TC	16829	16852	16870	16871	16893	17843	17864	17882	17886	17907	18909	18934	18955	18959	18980	20049	20070	20092	20095	20120
	S/T	0.45	0.53	0.60	0.60	0.68	0.48	0.56	0.63	0.63	0.72	0.50	0.59	0.67	0.67	0.77	0.53	0.63	0.71	0.71	0.81
	PI	0.90	0.90	0.90	0.90	0.90	0.95	0.95	0.95	0.95	0.95	1.01	1.01	1.01	1.01	1.01	1.07	1.07	1.07	1.07	1.07
59°F	TC	16909	16932	16950	16951	16974	17929	17950	17967	17971	17992	19000	19024	19046	19049	19070	20144	20166	20188	20191	20217
	S/T	0.45	0.53	0.60	0.60	0.69	0.48	0.56	0.64	0.64	0.73	0.51	0.59	0.68	0.68	0.77	0.54	0.63	0.72	0.72	0.82
	PI	0.92	0.92	0.92	0.92	0.92	0.97	0.97	0.97	0.97	0.98	1.03	1.03	1.03	1.03	1.03	1.09	1.09	1.09	1.09	1.10
68°F	TC	16990	17013	17031	17032	17055	18014	18035	18053	18056	18078	19090	19115	19136	19140	19161	20240	20262	20284	20287	20313
	S/T	0.46	0.54	0.62	0.62	0.70	0.49	0.58	0.65	0.65	0.75	0.52	0.61	0.69	0.69	0.79	0.55	0.65	0.74	0.74	0.84
	PI	0.94	0.94	0.94	0.94	0.94	1.00	1.00	1.00	1.00	1.00	1.05	1.06	1.06	1.06	1.06	1.12	1.12	1.12	1.12	1.12
77°F	TC	17070	17093	17112	17112	17135	18099	18120	18138	18142	18163	19180	19205	19227	19230	19252	20336	20358	20380	20383	20409
	S/T	0.47	0.55	0.63	0.63	0.71	0.50	0.58	0.66	0.66	0.76	0.53	0.62	0.70	0.70	0.80	0.56	0.66	0.74	0.74	0.85
	PI	0.96	0.96	0.96	0.96	0.96	1.02	1.02	1.02	1.02	1.02	1.08	1.08	1.08	1.08	1.08	1.14	1.15	1.15	1.15	1.15
80°F	TC	17098	17121	17139	17140	17163	18128	18149	18167	18171	18192	19211	19236	19257	19261	19282	20368	20391	20413	20416	20441
	S/T	0.47	0.56	0.63	0.63	0.72	0.50	0.59	0.67	0.67	0.77	0.53	0.63	0.71	0.71	0.81	0.57	0.66	0.75	0.75	0.86
	PI	0.97	0.97	0.97	0.97	0.97	1.03	1.03	1.03	1.03	1.03	1.09	1.09	1.09	1.09	1.09	1.15	1.15	1.16	1.16	1.16
86°F	TC	18287	18311	18331	18332	18356	19389	19412	19431	19435	19458	20547	20574	20597	20600	20623	21785	21809	21832	21836	21863
	S/T	0.48	0.56	0.64	0.64	0.73	0.51	0.60	0.68	0.68	0.77	0.54	0.63	0.72	0.72	0.82	0.57	0.67	0.76	0.76	0.87
	PI	1.54	1.54	1.54	1.54	1.55	1.63	1.63	1.64	1.64	1.64	1.73	1.73	1.73	1.73	1.74	1.83	1.84	1.84	1.84	1.84
95°F	TC	20088	20115	20137	20138	20165	21299	21324	21345	21349	21375	22571	22601	22626	22630	22655	23931	23957	23983	23987	24017
	S/T	0.48	0.56	0.64	0.64	0.73	0.51	0.60	0.68	0.68	0.77	0.54	0.63	0.72	0.72	0.82	0.57	0.67	0.76	0.76	0.87
	PI	2.41	2.41	2.41	2.41	2.42	2.55	2.55	2.56	2.56	2.56	2.70	2.71	2.71	2.71	2.71	2.87	2.87	2.87	2.87	2.88
104°F	TC	18802	18827	18847	18848	18874	19935	19959	19978	19982	20006	21126	21153	21177	21181	21205	22399	22423	22448	22451	22479
	S/T	0.49	0.58	0.66	0.66	0.75	0.52	0.61	0.70	0.70	0.79	0.55	0.65	0.74	0.74	0.84	0.59	0.69	0.78	0.78	0.89
	PI	2.40	2.40	2.41	2.41	2.41	2.55	2.55	2.55	2.55	2.56	2.70	2.70	2.71	2.71	2.71	2.86	2.86	2.87	2.87	2.87
110°F	TC	18030	18054	18074	18075	18099	19117	19139	19158	19162	19185	20259	20285	20308	20312	20334	21480	21503	21526	21530	21556
	S/T	0.51	0.60	0.68	0.68	0.78	0.54	0.64	0.72	0.72	0.82	0.57	0.67	0.77	0.77	0.87	0.61	0.71	0.81	0.81	0.93
	PI	2.40	2.40	2.40	2.40	2.41	2.54	2.55	2.55	2.55	2.55	2.70	2.70	2.70	2.70	2.71	2.86	2.86	2.86	2.86	2.87
115°F	TC	14599	14619	14635	14635	14655	15479	15497	15513	15516	15534	16404	16425	16443	16446	16465	17392	17411	17430	17433	17454
	S/T	0.52	0.61	0.69	0.69	0.79	0.55	0.64	0.73	0.73	0.83	0.58	0.68	0.77	0.77	0.88	0.62	0.72	0.82	0.82	0.94
	PI	1.98	1.98	1.99	1.99	1.99	2.10	2.10	2.10	2.10	2.11	2.23	2.23	2.23	2.23	2.23	2.36	2.36	2.36	2.36	2.37
122°F	TC	10024	10038	10049	10049	10063	10629	10641	10652	10654	10666	11264	11278	11291	11293	11305	11942	11955	11968	11970	11985
	S/T	0.53	0.62	0.71	0.71	0.80	0.56	0.66	0.75	0.75	0.85	0.59	0.70	0.79	0.79	0.90	0.63	0.74	0.84	0.84	0.96
	PI	1.42	1.42	1.43	1.43	1.43	1.51	1.51	1.51	1.51	1.51	1.60	1.60	1.60	1.60	1.60	1.69	1.70	1.70	1.70	1.70

24HSHP-HH-SYS-B Expanded Cooling @ 759 CFM

OD DB	ID WB (°F)	60.8 °F					64.4°F					67.0°F					71.6°F				
		ID DB (°F)	73.4 °F	77.0 °F	80.0 °F	80.6 °F	84.2 °F	73.4 °F	77.0 °F	80.0 °F	80.6 °F	84.2 °F	73.4 °F	77.0 °F	80.0 °F	80.6 °F	84.2 °F	73.4 °F	77.0 °F	80.0 °F	80.6 °F
50°F	TC	17732	17756	17775	17776	17800	18801	18823	18842	18845	18868	19924	19950	19972	19976	19998	21125	21147	21171	21174	21200
	S/T	0.47	0.55	0.63	0.63	0.72	0.50	0.59	0.67	0.67	0.76	0.53	0.62	0.71	0.71	0.81	0.56	0.66	0.75	0.75	0.86
	PI	0.94	0.94	0.95	0.95	0.95	1.00	1.00	1.00	1.00	1.00	1.06	1.06	1.06	1.06	1.06	1.12	1.12	1.13	1.13	1.13
59°F	TC	17817	17841	17860	17861	17885	18891	18913	18932	18935	18958	20019	20045	20068	20071	20094	21225	21248	21272	21275	21301
	S/T	0.48	0.56	0.63	0.63	0.72	0.50	0.59	0.67	0.67	0.77	0.53	0.63	0.71	0.71	0.81	0.57	0.66	0.75	0.75	0.86
	PI	0.97	0.97	0.97	0.97	0.97	1.02	1.03	1.03	1.03	1.03	1.09	1.09	1.09	1.09	1.09	1.15	1.15	1.15	1.15	1.16
68°F	TC	17902	17926	17945	17946	17970	18980	19003	19022	19025	19048	20114	20140	20163	20167	20189	21326	21349	21373	21376	21403
	S/T	0.49	0.57	0.65	0.65	0.74	0.52	0.61	0.69	0.69	0.79	0.55	0.64	0.73	0.73	0.83	0.58	0.68	0.77	0.77	0.88
	PI	0.99	0.99	0.99	0.99	0.99	1.05	1.05	1.05	1.05	1.05	1.11	1.11	1.11	1.11	1.12	1.18	1.18	1.18	1.18	1.18
77°F	TC	17986	18010	18030	18031	18055	19070	19093	19112	19115	19138	20210	20236	20258	20262	20285	21427	21450	21474	21477	21504
	S/T	0.49	0.58	0.66	0.66	0.75	0.52	0.61	0.70	0.70	0.80	0.56	0.65	0.74	0.74	0.84	0.59	0.69	0.78	0.78	0.89
	PI	1.01	1.01	1.01	1.01	1.02	1.07	1.07	1.08	1.08	1.08	1.14	1.14	1.14	1.14	1.14	1.21	1.21	1.21	1.21	1.21
80°F	TC	18015	18039	18059	18060	18084	19101	19123	19142	19146	19169	20242	20268	20291	20295	20317	21461	21485	21508	21512	21538
	S/T	0.50	0.59	0.67	0.67	0.76	0.53	0.62	0.71	0.71	0.81	0.56	0.66	0.75	0.75	0.85	0.60	0.70	0.79	0.79	0.91
	PI	1.02	1.02	1.02	1.02	1.02	1.08	1.08	1.08	1.08	1.08	1.15	1.15	1.15	1.15	1.15	1.21	1.22	1.22	1.22	1.22
86°F	TC	19268	19294	19315	19315	19341	20429	20453	20473	20477	20502	21650	21678	21702	21706	21730	22954	22979	23004	23008	23036
	S/T	0.51	0.59	0.68	0.68	0.77	0.54	0.63	0.72	0.72	0.82	0.57	0.67	0.76	0.76	0.87	0.60	0.71	0.80	0.80	0.92
	PI	1.62	1.62	1.63	1.63	1.63	1.72	1.72	1.72	1.72	1.73	1.82	1.83	1.83	1.83	1.83	1.93	1.93	1.94	1.94	1.94
95°F	TC	21166	21195	21217	21218	21247	22442	22468	22490	22495	22522	23782	23813	23840	23844	23871	25215	25243	25270	25274	25306
	S/T	0.51	0.59	0.68	0.68	0.77	0.54	0.63	0.72	0.72	0.82	0.57	0.67	0.76	0.76	0.87	0.60	0.71	0.80	0.80	0.92
	PI	2.54	2.54	2.54	2.54	2.55	2.69	2.69	2.69	2.69	2.70	2.85	2.85	2.86	2.86	2.86	3.02	3.02	3.03	3.03	3.03
104°F	TC	19811	19838	19859	19860	19887	21005	21030	21050	21055	21080	22260	22289	22313	22318	22342	23601	23627	23652	23656	23685
	S/T	0.52	0.61	0.69	0.69	0.79	0.55	0.65	0.73	0.73	0.84	0.58	0.68	0.78	0.78	0.89	0.62	0.73	0.82	0.83	0.94
	PI	2.53	2.53	2.54	2.54	2.54	2.68	2.69	2.69	2.69	2.69	2.84	2.85	2.85	2.85	2.85	3.01	3.02	3.02	3.02	3.03
110°F	TC	18998	19023	19044	19045	19070	20143	20166	20186	20190	20214	21346	21374	21398	21402	21425	22632	22657	22681	22685	22713
	S/T	0.54	0.63	0.72	0.72	0.82	0.57	0.67	0.76	0.76	0.87	0.61	0.71	0.81	0.81	0.92	0.64	0.75	0.86	0.86	0.97
	PI	2.53	2.53	2.53	2.53	2.54	2.68	2.68	2.69	2.69	2.69	2.84	2.84	2.85	2.85	2.85	3.01	3.01	3.02	3.02	3.02
115°F	TC	15383	15403	15420	15421	15441	16310	16329	16345	16348	16368	17284	17306	17326	17329	17348	18325	18345	18365	18368	18391
	S/T	0.54	0.64	0.73	0.73	0.83	0.58	0.68	0.77	0.77	0.88	0.61	0.72	0.82	0.82	0.93	0.65	0.76	0.87	0.87	0.99
	PI	2.09	2.09	2.09	2.09	2.09	2.21	2.21	2.22	2.22	2.22	2.34	2.35	2.35	2.35	2.35	2.49	2.49	2.49	2.49	2.49
122°F	TC	10562	10577	10588	10588	10603	11199	11212	11223	11225	11239	11868	11883	11897	11899	11912	12583	12597	12610	12612	12628
	S/T	0.56	0.65	0.74	0.74	0.85	0.59	0.69	0.79	0.79	0.90	0.63	0.73	0.84	0.84	0.95	0.66	0.78	0.89	0.89	1.00
	PI	1.50	1.50	1.50	1.50	1.50	1.59	1.59	1.59	1.59	1.59	1.68	1.69	1.69	1.69	1.69	1.79	1.79	1.79	1.79	1.79

24HSHP-HH-SYS-B Expanded Cooling @ 824 CFM

OD DB	ID WB (°F)	60.8 °F					64.4°F					67.0°F					71.6°F				
		ID DB (°F)	73.4 °F	77.0 °F	80.0 °F	80.6 °F	84.2 °F	73.4 °F	77.0 °F	80.0 °F	80.6 °F	84.2 °F	73.4 °F	77.0 °F	80.0 °F	80.6 °F	84.2 °F	73.4 °F	77.0 °F	80.0 °F	80.6 °F
50°F	TC	18684	18709	18729	18730	18755	19810	19833	19853	19857	19880	20993	21020	21044	21048	21071	22258	22282	22307	22310	22338
	S/T	0.50	0.58	0.66	0.66	0.76	0.53	0.62	0.70	0.70	0.80	0.56	0.66	0.75	0.75	0.85	0.59	0.70	0.79	0.79	0.90
	PI	0.99	1.00	1.00	1.00	1.00	1.05	1.06	1.06	1.06	1.06	1.12	1.12	1.12	1.12	1.12	1.18	1.19	1.19	1.19	1.19
59°F	TC	18773	18798	18818	18819	18845	19904	19928	19948	19952	19975	21093	21121	21144	21148	21172	22364	22389	22413	22417	22444
	S/T	0.50	0.59	0.67	0.67	0.76	0.53	0.62	0.71	0.71	0.81	0.56	0.66	0.75	0.75	0.86	0.60	0.70	0.80	0.80	0.91
	PI	1.02	1.02	1.02	1.02	1.02	1.08	1.08	1.08	1.08	1.08	1.14	1.15	1.15	1.15	1.15	1.21	1.21	1.22	1.22	1.22
68°F	TC	18862	18888	18908	18909	18934	19999	20023	20042	20046	20070	21194	21221	21245	21249	21273	22471	22495	22520	22523	22551
	S/T	0.51	0.60	0.69	0.69	0.78	0.54	0.64	0.73	0.73	0.83	0.58	0.68	0.77	0.77	0.88	0.61	0.72	0.82	0.82	0.93
	PI	1.04	1.04	1.04	1.04	1.05	1.10	1.11	1.11	1.11	1.11	1.17	1.17	1.17	1.17	1.18	1.24	1.24	1.24	1.24	1.25
77°F	TC	18951	18977	18997	18998	19024	20094	20117	20137	20141	20165	21294	21322	21345	21349	21373	22577	22602	22626	22630	22658
	S/T	0.52	0.61	0.69	0.69	0.79	0.55	0.65	0.74	0.74	0.84	0.59	0.69	0.78	0.78	0.89	0.62	0.73	0.83	0.83	0.94
	PI	1.07	1.07	1.07	1.07	1.07	1.13	1.13	1.13	1.13	1.13	1.20	1.20	1.20	1.20	1.20	1.27	1.27	1.27	1.27	1.27
80°F	TC	18982	19007	19028	19029	19054	20126	20150	20169	20173	20197	21328	21356	21380	21384	21407	22613	22638	22662	22666	22694
	S/T	0.53	0.62	0.70	0.70	0.80	0.56	0.66	0.75	0.75	0.85	0.59	0.70	0.79	0.79	0.90	0.63	0.74	0.84	0.84	0.95
	PI	1.07	1.08	1.08	1.08	1.08	1.14	1.14	1.14	1.14	1.14	1.21	1.21	1.21	1.21	1.21	1.28	1.28	1.28	1.28	1.28
86°F	TC	20302	20329	20351	20352	20379	21525	21551	21572	21576	21602	22811	22841	22866	22871	22896	24186	24212	24238	24242	24272
	S/T	0.53	0.63	0.71	0.71	0.81	0.57	0.66	0.75	0.75	0.86	0.60	0.70	0.80	0.80	0.91	0.64	0.75	0.85	0.85	0.97
	PI	1.71	1.71	1.71	1.71	1.72	1.81	1.81	1.82	1.82	1.82	1.92	1.92	1.93	1.93	1.93	2.04	2.04	2.04	2.04	2.04
95°F	TC	22302	22332	22356	22357	22387	23646	23674	23697	23702	23730	25059	25091	25119	25124	25152	26568	26597	26626	26630	26664
	S/T	0.53	0.63	0.71	0.71	0.81	0.57	0.66	0.75	0.75	0.86	0.60	0.70	0.80	0.80	0.91	0.64	0.75	0.85	0.85	0.97
	PI	2.67	2.68	2.68	2.68	2.68	2.83	2.84	2.84	2.84	2.84	3.00	3.01	3.01	3.01	3.01	3.18	3.19	3.19	3.19	3.19
104°F	TC	20874	20902	20925	20925	20954	22132	22158	22180	22184	22211	23454	23485	23511	23515	23541	24867	24894	24921	24925	24956
	S/T	0.55	0.64	0.73	0.73	0.83	0.58	0.68	0.77	0.77	0.88	0.62	0.72	0.82	0.82	0.93	0.65	0.76	0.87	0.87	0.99
	PI	2.67	2.67	2.67	2.67	2.68	2.83	2.83	2.83	2.83	2.84	3.00	3.00	3.00	3.00	3.01	3.18	3.18	3.18	3.18	3.19
110°F	TC	20017	20044	20066	20067	20094	21224	21249	21270	21274	21299	22491	22521	22546	22550	22575	23847	23873	23899	23902	23932
	S/T	0.57	0.67	0.76	0.76	0.86	0.60	0.71	0.80	0.80	0.91	0.64	0.75	0.85	0.85	0.97	0.68	0.79	0.90	0.90	1.00
	PI	2.66	2.67	2.67	2.67	2.67	2.82	2.83	2.83	2.83	2.83	2.99	3.00	3.00	3.00	3.00	3.17	3.18	3.18	3.18	3.18
115°F	TC	16208	16230	16247	16248	16270	17185	17205	17222	17226	17246	18211	18235	18255	18259	18279	19309	19330	19351	19354	19378
	S/T	0.57	0.67	0.77	0.77	0.87	0.61	0.71	0.81	0.81	0.92	0.65	0.76	0.86	0.86	0.98	0.68	0.80	0.91	0.91	1.00
	PI	2.20	2.20	2.20	2.20	2.21	2.33	2.33	2.34	2.34	2.34	2.47	2.47	2.48	2.48	2.48	2.62	2.62	2.62	2.63	2.63
122°F	TC	11129	11144	11156	11157	11172	11800	11814	11825	11828	11842	12505	12521	12535	12537	12551	13258	13273	13287	13289	13306
	S/T	0.59	0.69	0.78	0.78	0.89	0.62	0.73	0.83	0.83	0.95	0.66	0.77	0.88	0.88	1.00	0.70	0.82	0.93	0.93	1.00
	PI	1.58	1.58	1.58	1.58	1.59	1.67	1.68	1.68	1.68	1.68	1.77	1.78	1.78	1.78	1.78	1.88	1.88	1.89	1.89	1.89

24HSHP-HH-SYS-B Expanded Heating @ 629 CFM

CFM	HEATING PERFORMANCE AT INDOOR DRY BULB TEMPERATURE										
	OD DB (°F)	TC : Total Heating Capacity(BTU/hr)					PI : Power Input(kW)				
		Indoor Conditions (DB °F)					Indoor Conditions (DB °F)				
		60.8°F	68°F	70°F	71.6°F	75.2°F	60.8°F	68°F	70°F	71.6°F	75.2°F
629	-22°F	8172	8009	7969	8135	8062	2.39	2.41	2.42	2.42	2.43
	-13°F	10139	9936	9886	9704	9617	2.58	2.60	2.61	2.62	2.63
	-4°F	12653	12400	12338	12111	12002	2.62	2.64	2.65	2.65	2.66
	0°F	14844	14547	14474	14208	14080	3.00	3.02	3.03	3.04	3.05
	5°F	17583	17231	17145	16829	16677	3.47	3.50	3.51	3.52	3.53
	14°F	17421	17073	16987	16674	16524	3.07	3.09	3.10	3.10	3.12
	17°F	17367	17020	16935	16622	16473	2.93	2.95	2.96	2.97	2.98
	22°F	17499	17149	17063	16748	16598	2.80	2.83	2.83	2.84	2.85
	27°F	17630	17278	17191	16874	16723	2.68	2.70	2.71	2.71	2.72
	32°F	17762	17407	17320	17000	16847	2.55	2.57	2.58	2.58	2.59
	35°F	17841	17484	17397	17076	16922	2.48	2.50	2.50	2.51	2.52
	37°F	18884	18506	18413	18074	17911	2.52	2.54	2.55	2.55	2.56
	42°F	21491	21061	20955	20569	20384	2.64	2.66	2.66	2.67	2.68
	44.6°F	22533	22083	21972	21567	21373	2.68	2.70	2.71	2.71	2.73
	47°F	24097	23615	23497	23064	22857	2.75	2.77	2.78	2.78	2.80
	52°F	22326	21879	21770	21368	21176	2.67	2.69	2.70	2.70	2.71
	57°F	20554	20143	20042	19672	19495	2.59	2.61	2.61	2.62	2.63
	59°F	19845	19448	19351	18994	18823	2.56	2.58	2.58	2.59	2.60
62°F	18782	18406	18314	17977	17815	2.51	2.53	2.53	2.54	2.55	
64.4°F	18073	17712	17623	17298	17143	2.48	2.50	2.50	2.51	2.52	

24HSHP-HH-SYS-B Expanded Heating @ 694 CFM

CFM	HEATING PERFORMANCE AT INDOOR DRY BULB TEMPERATURE										
	OD DB (°F)	TC : Total Heating Capacity(BTU/hr)					PI : Power Input(kW)				
		Indoor Conditions (DB °F)					Indoor Conditions (DB °F)				
		60.8°F	68°F	70°F	71.6°F	75.2°F	60.8°F	68°F	70°F	71.6°F	75.2°F
694	-22°F	8781	8606	8563	8634	8556	2.42	2.44	2.44	2.45	2.46
	-13°F	10683	10469	10417	10300	10207	2.61	2.63	2.64	2.64	2.65
	-4°F	13332	13065	13000	12854	12738	2.65	2.67	2.67	2.68	2.69
	0°F	15641	15328	15251	15080	14944	3.03	3.05	3.06	3.07	3.08
	5°F	18526	18156	18065	17862	17701	3.51	3.54	3.54	3.55	3.57
	14°F	18356	17989	17899	17697	17538	3.10	3.12	3.13	3.14	3.15
	17°F	18299	17933	17843	17643	17484	2.96	2.98	2.99	3.00	3.01
	22°F	18438	18069	17979	17776	17616	2.83	2.86	2.86	2.87	2.88
	27°F	18576	18205	18114	17910	17749	2.71	2.73	2.73	2.74	2.75
	32°F	18715	18341	18249	18044	17881	2.58	2.60	2.60	2.61	2.62
	35°F	18798	18422	18330	18124	17961	2.50	2.52	2.53	2.53	2.54
	37°F	19897	19499	19402	19183	19011	2.55	2.57	2.57	2.58	2.59
	42°F	22644	22191	22080	21832	21635	2.66	2.68	2.69	2.69	2.71
	44.6°F	23742	23268	23151	22891	22685	2.71	2.73	2.74	2.74	2.75
	47°F	25391	24883	24758	24480	24260	2.78	2.80	2.81	2.81	2.82
	52°F	23524	23053	22938	22680	22476	2.70	2.72	2.72	2.73	2.74
	57°F	21657	21223	21117	20880	20692	2.61	2.64	2.64	2.65	2.66
	59°F	20910	20492	20389	20160	19979	2.58	2.60	2.61	2.61	2.62
62°F	19790	19394	19297	19080	18908	2.53	2.55	2.56	2.56	2.57	
64.4°F	19043	18662	18569	18360	18195	2.50	2.52	2.53	2.53	2.54	

24HSHP-HH-SYS-B Expanded Heating @ 759 CFM

CFM	HEATING PERFORMANCE AT INDOOR DRY BULB TEMPERATURE										
	OD DB (°F)	TC : Total Heating Capacity(BTU/hr)					PI : Power Input(kW)				
		Indoor Conditions (DB °F)					Indoor Conditions (DB °F)				
		60.8°F	68°F	70°F	71.6°F	75.2°F	60.8°F	68°F	70°F	71.6°F	75.2°F
759	-22°F	9436	9247	9201	9164	9082	2.44	2.46	2.47	2.47	2.48
	-13°F	11256	11031	10976	10932	10833	2.64	2.66	2.66	2.67	2.68
	-4°F	14048	13767	13698	13643	13520	2.67	2.69	2.70	2.70	2.72
	0°F	16480	16150	16069	16005	15861	3.06	3.08	3.09	3.10	3.11
	5°F	19520	19130	19034	18958	18787	3.54	3.57	3.58	3.59	3.60
	14°F	19341	18954	18859	18784	18615	3.13	3.15	3.16	3.17	3.18
	17°F	19281	18895	18801	18726	18557	2.99	3.01	3.02	3.03	3.04
	22°F	19427	19039	18943	18868	18698	2.86	2.88	2.89	2.90	2.91
	27°F	19573	19182	19086	19009	18838	2.73	2.75	2.76	2.77	2.78
	32°F	19719	19325	19228	19151	18979	2.60	2.62	2.63	2.63	2.65
	35°F	19807	19411	19314	19237	19063	2.53	2.55	2.55	2.56	2.57
	37°F	20965	20545	20443	20361	20178	2.57	2.59	2.60	2.60	2.61
	42°F	23859	23382	23265	23172	22963	2.69	2.71	2.72	2.72	2.73
	44.6°F	25017	24516	24394	24296	24077	2.74	2.76	2.76	2.77	2.78
	47°F	26753	26218	26087	25983	25749	2.81	2.83	2.83	2.84	2.85
	52°F	24786	24290	24169	24072	23855	2.72	2.75	2.75	2.76	2.77
	57°F	22819	22362	22251	22162	21962	2.64	2.66	2.67	2.67	2.68
59°F	22032	21591	21483	21397	21205	2.61	2.63	2.63	2.64	2.65	
62°F	20852	20435	20332	20251	20069	2.56	2.58	2.58	2.59	2.60	
64.4°F	20065	19663	19565	19487	19312	2.53	2.55	2.55	2.56	2.57	

24HSHP-HH-SYS-B Expanded Heating @ 824 CFM

CFM	HEATING PERFORMANCE AT INDOOR DRY BULB TEMPERATURE										
	OD DB (°F)	TC : Total Heating Capacity(BTU/hr)					PI : Power Input(kW)				
		Indoor Conditions (DB °F)					Indoor Conditions (DB °F)				
		60.8°F	68°F	70°F	71.6°F	75.2°F	60.8°F	68°F	70°F	71.6°F	75.2°F
824	-22°F	9942	9743	9695	9656	9569	2.47	2.49	2.49	2.50	2.51
	-13°F	11860	11623	11565	11518	11415	2.66	2.68	2.69	2.70	2.71
	-4°F	14801	14505	14433	14375	14246	2.70	2.72	2.73	2.73	2.74
	0°F	17364	17017	16932	16864	16712	3.09	3.12	3.12	3.13	3.14
	5°F	20568	20156	20056	19975	19796	3.58	3.61	3.62	3.62	3.64
	14°F	20379	19971	19871	19792	19614	3.16	3.19	3.19	3.20	3.21
	17°F	20316	19909	19810	19730	19553	3.02	3.05	3.05	3.06	3.07
	22°F	20470	20060	19960	19880	19701	2.89	2.91	2.92	2.93	2.94
	27°F	20624	20211	20110	20030	19849	2.76	2.78	2.79	2.79	2.80
	32°F	20777	20362	20260	20179	19997	2.63	2.65	2.66	2.66	2.67
	35°F	20870	20452	20350	20269	20086	2.55	2.57	2.58	2.58	2.59
	37°F	22090	21648	21540	21453	21260	2.60	2.62	2.62	2.63	2.64
	42°F	25139	24636	24513	24415	24195	2.72	2.74	2.74	2.75	2.76
	44.6°F	26359	25832	25703	25600	25369	2.76	2.79	2.79	2.80	2.81
	47°F	28189	27625	27487	27377	27130	2.83	2.86	2.86	2.87	2.88
	52°F	26116	25594	25466	25364	25136	2.75	2.77	2.78	2.78	2.80
	57°F	24043	23562	23445	23351	23141	2.67	2.69	2.69	2.70	2.71
	59°F	23214	22750	22636	22546	22343	2.63	2.66	2.66	2.67	2.68
62°F	21971	21531	21423	21338	21146	2.58	2.61	2.61	2.62	2.63	
64.4°F	21141	20719	20615	20533	20348	2.55	2.57	2.58	2.58	2.59	

25HSHP-HH-SYS-B Expanded Cooling @ 629 CFM (Preliminary Data)

OD DB	ID WB (°F)	60.8 °F					64.4°F					67.0°F					71.6°F				
		ID DB (°F)	73.4 °F	77.0 °F	80.0 °F	80.6 °F	84.2 °F	73.4 °F	77.0 °F	80.0 °F	80.6 °F	84.2 °F	73.4 °F	77.0 °F	80.0 °F	80.6 °F	84.2 °F	73.4 °F	77.0 °F	80.0 °F	80.6 °F
50°F	TC	20711	20739	20761	20762	20790	21959	21985	22007	22011	22037	23271	23301	23327	23331	23357	24673	24700	24727	24730	24761
	S/T	0.43	0.50	0.57	0.57	0.65	0.45	0.53	0.60	0.60	0.69	0.48	0.56	0.64	0.64	0.73	0.51	0.60	0.68	0.68	0.77
	PI	1.84	1.84	1.85	1.85	1.85	1.95	1.96	1.96	1.96	1.96	2.07	2.07	2.07	2.08	2.08	2.19	2.20	2.20	2.20	2.20
59°F	TC	20722	20750	20772	20773	20801	21971	21997	22019	22023	22049	23283	23314	23340	23344	23370	24686	24713	24740	24744	24775
	S/T	0.43	0.50	0.57	0.57	0.65	0.45	0.53	0.60	0.60	0.69	0.48	0.56	0.64	0.64	0.73	0.51	0.60	0.68	0.68	0.77
	PI	1.80	1.80	1.80	1.80	1.81	1.91	1.91	1.91	1.91	1.91	2.02	2.02	2.03	2.03	2.03	2.14	2.15	2.15	2.15	2.15
68°F	TC	20733	20761	20783	20784	20812	21983	22009	22030	22035	22061	23296	23326	23352	23357	23383	24700	24727	24753	24757	24788
	S/T	0.44	0.52	0.59	0.59	0.67	0.47	0.55	0.62	0.62	0.71	0.49	0.58	0.66	0.66	0.75	0.52	0.61	0.70	0.70	0.80
	PI	1.76	1.76	1.76	1.76	1.76	1.86	1.86	1.87	1.87	1.87	1.97	1.98	1.98	1.98	1.98	2.09	2.09	2.10	2.10	2.10
77°F	TC	20745	20772	20795	20796	20824	21995	22021	22042	22047	22073	23309	23339	23365	23369	23395	24713	24740	24767	24771	24802
	S/T	0.45	0.52	0.59	0.59	0.68	0.47	0.55	0.63	0.63	0.72	0.50	0.59	0.67	0.67	0.76	0.53	0.62	0.71	0.71	0.81
	PI	1.71	1.72	1.72	1.72	1.72	1.82	1.82	1.82	1.82	1.82	1.92	1.93	1.93	1.93	1.93	2.04	2.04	2.05	2.05	2.05
80°F	TC	21011	21039	21062	21063	21091	22277	22303	22325	22330	22356	23608	23638	23665	23669	23696	25030	25057	25085	25089	25120
	S/T	0.45	0.53	0.60	0.60	0.69	0.48	0.56	0.64	0.64	0.73	0.51	0.59	0.68	0.68	0.77	0.54	0.63	0.72	0.72	0.82
	PI	1.84	1.84	1.84	1.84	1.84	1.95	1.95	1.95	1.95	1.96	2.06	2.07	2.07	2.07	2.07	2.19	2.19	2.19	2.19	2.20
86°F	TC	21551	21580	21604	21605	21634	22850	22877	22900	22904	22932	24215	24247	24274	24278	24306	25674	25702	25730	25734	25766
	S/T	0.46	0.54	0.61	0.61	0.69	0.48	0.57	0.65	0.65	0.74	0.51	0.60	0.68	0.68	0.78	0.54	0.64	0.72	0.72	0.83
	PI	2.12	2.13	2.13	2.13	2.13	2.25	2.26	2.26	2.26	2.26	2.39	2.39	2.39	2.39	2.40	2.53	2.53	2.54	2.54	2.54
95°F	TC	22768	22799	22823	22824	22855	24140	24169	24193	24198	24226	25583	25616	25644	25649	25678	27124	27154	27183	27187	27221
	S/T	0.46	0.54	0.61	0.61	0.69	0.48	0.57	0.65	0.65	0.74	0.51	0.60	0.68	0.68	0.78	0.54	0.64	0.72	0.72	0.83
	PI	2.77	2.77	2.78	2.78	2.78	2.94	2.94	2.94	2.94	2.95	3.11	3.12	3.12	3.12	3.12	3.30	3.30	3.31	3.31	3.31
104°F	TC	21106	21134	21157	21158	21187	22378	22405	22427	22431	22458	23715	23746	23772	23777	23803	25144	25171	25199	25202	25234
	S/T	0.47	0.55	0.62	0.62	0.71	0.50	0.58	0.66	0.66	0.75	0.53	0.62	0.70	0.70	0.80	0.56	0.65	0.74	0.74	0.85
	PI	2.74	2.74	2.74	2.74	2.75	2.90	2.91	2.91	2.91	2.91	3.08	3.08	3.08	3.08	3.09	3.26	3.26	3.27	3.27	3.27
110°F	TC	20109	20136	20157	20158	20186	21321	21346	21367	21371	21396	22594	22624	22649	22653	22678	23956	23982	24008	24012	24041
	S/T	0.49	0.57	0.65	0.65	0.74	0.51	0.60	0.69	0.69	0.78	0.54	0.64	0.73	0.73	0.83	0.58	0.68	0.77	0.77	0.88
	PI	2.72	2.72	2.72	2.72	2.73	2.88	2.88	2.89	2.89	2.89	3.05	3.06	3.06	3.06	3.06	3.24	3.24	3.24	3.24	3.25
115°F	TC	17643	17666	17685	17686	17710	18706	18728	18746	18750	18772	19823	19849	19871	19875	19897	21018	21041	21064	21067	21093
	S/T	0.49	0.58	0.65	0.65	0.75	0.52	0.61	0.69	0.69	0.79	0.55	0.65	0.74	0.74	0.84	0.58	0.69	0.78	0.78	0.89
	PI	2.32	2.32	2.33	2.33	2.33	2.46	2.46	2.47	2.47	2.47	2.61	2.61	2.61	2.61	2.62	2.76	2.77	2.77	2.77	2.77
122°F	TC	14354	14374	14389	14390	14409	15220	15238	15253	15256	15274	16129	16150	16168	16171	16189	17101	17119	17138	17141	17162
	S/T	0.50	0.59	0.67	0.67	0.76	0.53	0.62	0.71	0.71	0.81	0.56	0.66	0.75	0.75	0.86	0.60	0.70	0.80	0.80	0.91
	PI	1.79	1.79	1.79	1.79	1.80	1.90	1.90	1.90	1.90	1.91	2.01	2.01	2.02	2.02	2.02	2.13	2.14	2.14	2.14	2.14

25HSHP-HH-SYS-B Expanded Cooling @ 647 CFM (Preliminary Data)

OD DB	ID WB (°F)	60.8 °F					64.4°F					67.0°F					71.6°F				
		ID DB (°F)	73.4 °F	77.0 °F	80.0 °F	80.6 °F	84.2 °F	73.4 °F	77.0 °F	80.0 °F	80.6 °F	84.2 °F	73.4 °F	77.0 °F	80.0 °F	80.6 °F	84.2 °F	73.4 °F	77.0 °F	80.0 °F	80.6 °F
50°F	TC	21822	21851	21875	21876	21905	23137	23165	23187	23192	23220	24519	24551	24579	24583	24611	25997	26025	26053	26057	26090
	S/T	0.45	0.53	0.60	0.60	0.68	0.48	0.56	0.63	0.63	0.72	0.50	0.59	0.67	0.67	0.77	0.53	0.63	0.71	0.71	0.81
	PI	1.94	1.94	1.95	1.95	1.95	2.06	2.06	2.06	2.06	2.07	2.18	2.18	2.19	2.19	2.19	2.31	2.31	2.32	2.32	2.32
59°F	TC	21834	21863	21887	21888	21917	23150	23177	23200	23205	23232	24533	24565	24592	24597	24624	26011	26039	26068	26072	26104
	S/T	0.45	0.53	0.60	0.60	0.69	0.48	0.56	0.64	0.64	0.73	0.51	0.59	0.68	0.68	0.77	0.54	0.63	0.72	0.72	0.82
	PI	1.90	1.90	1.90	1.90	1.90	2.01	2.01	2.01	2.01	2.02	2.13	2.13	2.14	2.14	2.14	2.26	2.26	2.26	2.26	2.27
68°F	TC	21846	21875	21899	21900	21929	23162	23190	23213	23217	23245	24546	24578	24605	24610	24637	26025	26053	26082	26086	26118
	S/T	0.46	0.54	0.62	0.62	0.70	0.49	0.58	0.65	0.65	0.75	0.52	0.61	0.69	0.69	0.79	0.55	0.65	0.74	0.74	0.84
	PI	1.85	1.85	1.85	1.86	1.86	1.96	1.96	1.97	1.97	1.97	2.08	2.08	2.08	2.08	2.09	2.20	2.21	2.21	2.21	2.21
77°F	TC	21858	21887	21911	21912	21941	23175	23202	23225	23230	23257	24560	24591	24619	24623	24651	26039	26068	26096	26100	26133
	S/T	0.47	0.55	0.63	0.63	0.71	0.50	0.58	0.66	0.66	0.76	0.53	0.62	0.70	0.70	0.80	0.56	0.66	0.74	0.74	0.85
	PI	1.81	1.81	1.81	1.81	1.81	1.91	1.92	1.92	1.92	1.92	2.03	2.03	2.03	2.03	2.04	2.15	2.15	2.16	2.16	2.16
80°F	TC	22138	22168	22192	22193	22223	23472	23500	23523	23528	23556	24875	24907	24935	24939	24967	26373	26402	26431	26435	26468
	S/T	0.47	0.56	0.63	0.63	0.72	0.50	0.59	0.67	0.67	0.77	0.53	0.63	0.71	0.71	0.81	0.57	0.66	0.75	0.75	0.86
	PI	1.94	1.94	1.94	1.94	1.94	2.05	2.06	2.06	2.06	2.06	2.18	2.18	2.18	2.18	2.18	2.31	2.31	2.31	2.31	2.32
86°F	TC	22708	22738	22763	22764	22795	24076	24105	24129	24134	24162	25515	25548	25576	25581	25610	27052	27082	27111	27115	27149
	S/T	0.48	0.56	0.64	0.64	0.73	0.51	0.60	0.68	0.68	0.77	0.54	0.63	0.72	0.72	0.82	0.57	0.67	0.76	0.76	0.87
	PI	2.24	2.24	2.24	2.24	2.25	2.37	2.38	2.38	2.38	2.38	2.52	2.52	2.52	2.52	2.52	2.67	2.67	2.67	2.67	2.68
95°F	TC	23990	24022	24048	24049	24082	25436	25466	25491	25496	25526	26955	26990	27021	27026	27056	28580	28611	28642	28646	28682
	S/T	0.48	0.56	0.64	0.64	0.73	0.51	0.60	0.68	0.68	0.77	0.54	0.63	0.72	0.72	0.82	0.57	0.67	0.76	0.76	0.87
	PI	2.92	2.92	2.93	2.93	2.93	3.09	3.10	3.10	3.10	3.11	3.28	3.28	3.29	3.29	3.29	3.48	3.48	3.48	3.49	3.49
104°F	TC	22239	22269	22293	22294	22324	23579	23607	23630	23635	23663	24988	25020	25048	25053	25081	26493	26522	26551	26555	26588
	S/T	0.49	0.58	0.66	0.66	0.75	0.52	0.61	0.70	0.70	0.79	0.55	0.65	0.74	0.74	0.84	0.59	0.69	0.78	0.78	0.89
	PI	2.88	2.89	2.89	2.89	2.89	3.06	3.06	3.06	3.07	3.07	3.24	3.24	3.25	3.25	3.25	3.44	3.44	3.44	3.44	3.45
110°F	TC	21188	21216	21239	21240	21269	22465	22491	22513	22518	22545	23807	23838	23864	23869	23895	25241	25269	25296	25300	25332
	S/T	0.51	0.60	0.68	0.68	0.78	0.54	0.64	0.72	0.72	0.82	0.57	0.67	0.77	0.77	0.87	0.61	0.71	0.81	0.81	0.93
	PI	2.86	2.87	2.87	2.87	2.87	3.04	3.04	3.04	3.04	3.05	3.22	3.22	3.22	3.23	3.23	3.41	3.41	3.42	3.42	3.42
115°F	TC	18589	18614	18634	18635	18660	19710	19733	19752	19756	19780	20887	20914	20938	20941	20965	22146	22170	22194	22197	22225
	S/T	0.52	0.61	0.69	0.69	0.79	0.55	0.64	0.73	0.73	0.83	0.58	0.68	0.77	0.77	0.88	0.62	0.72	0.82	0.82	0.94
	PI	2.44	2.45	2.45	2.45	2.45	2.59	2.59	2.60	2.60	2.60	2.75	2.75	2.75	2.75	2.76	2.91	2.92	2.92	2.92	2.92
122°F	TC	15125	15145	15161	15162	15183	16036	16055	16071	16074	16093	16994	17016	17035	17039	17058	18018	18038	18057	18060	18083
	S/T	0.53	0.62	0.71	0.71	0.80	0.56	0.66	0.75	0.75	0.85	0.59	0.70	0.79	0.79	0.90	0.63	0.74	0.84	0.84	0.96
	PI	1.89	1.89	1.89	1.89	1.89	2.00	2.00	2.00	2.00	2.01	2.12	2.12	2.12	2.13	2.13	2.25	2.25	2.25	2.25	2.26

25HSHP-HH-SYS-B Expanded Cooling @ 759 CFM (Preliminary Data)

OD DB	ID WB (°F)	60.8 °F					64.4°F					67.0°F					71.6°F				
		ID DB (°F)	73.4 °F	77.0 °F	80.0 °F	80.6 °F	84.2 °F	73.4 °F	77.0 °F	80.0 °F	80.6 °F	84.2 °F	73.4 °F	77.0 °F	80.0 °F	80.6 °F	84.2 °F	73.4 °F	77.0 °F	80.0 °F	80.6 °F
50°F	TC	21615	21644	21668	21669	21698	22918	22945	22968	22972	22999	24287	24319	24346	24350	24377	25750	25778	25806	25810	25843
	S/T	0.47	0.55	0.63	0.63	0.72	0.50	0.59	0.67	0.67	0.76	0.53	0.62	0.71	0.71	0.81	0.56	0.66	0.75	0.75	0.86
	PI	1.35	1.35	1.35	1.35	1.36	1.43	1.43	1.44	1.44	1.44	1.52	1.52	1.52	1.52	1.52	1.61	1.61	1.61	1.61	1.62
59°F	TC	21531	21560	21583	21584	21613	22828	22855	22878	22882	22909	24192	24223	24250	24255	24282	25650	25678	25705	25709	25742
	S/T	0.48	0.56	0.63	0.63	0.72	0.50	0.59	0.67	0.67	0.77	0.53	0.63	0.71	0.71	0.81	0.57	0.66	0.75	0.75	0.86
	PI	1.28	1.29	1.29	1.29	1.29	1.36	1.36	1.36	1.36	1.37	1.44	1.44	1.45	1.45	1.45	1.53	1.53	1.53	1.53	1.53
68°F	TC	21446	21475	21498	21499	21528	22739	22765	22788	22792	22820	24097	24128	24155	24160	24187	25549	25577	25605	25609	25640
	S/T	0.49	0.57	0.65	0.65	0.74	0.52	0.61	0.69	0.69	0.79	0.55	0.64	0.73	0.73	0.83	0.58	0.68	0.77	0.77	0.88
	PI	1.22	1.22	1.22	1.22	1.22	1.29	1.29	1.29	1.29	1.29	1.37	1.37	1.37	1.37	1.37	1.45	1.45	1.45	1.45	1.45
77°F	TC	21362	21390	21413	21414	21443	22649	22676	22698	22703	22730	24002	24033	24060	24065	24091	25448	25476	25504	25508	25539
	S/T	0.49	0.58	0.66	0.66	0.75	0.52	0.61	0.70	0.70	0.80	0.56	0.65	0.74	0.74	0.84	0.59	0.69	0.78	0.78	0.89
	PI	1.15	1.15	1.15	1.15	1.15	1.22	1.22	1.22	1.22	1.22	1.29	1.29	1.29	1.29	1.30	1.37	1.37	1.37	1.37	1.37
80°F	TC	21845	21874	21898	21899	21929	23162	23189	23212	23216	23244	24545	24577	24605	24609	24637	26024	26053	26081	26085	26117
	S/T	0.50	0.59	0.67	0.67	0.76	0.53	0.62	0.71	0.71	0.81	0.56	0.66	0.75	0.75	0.85	0.60	0.70	0.79	0.79	0.91
	PI	1.31	1.32	1.32	1.32	1.32	1.39	1.39	1.40	1.40	1.40	1.48	1.48	1.48	1.48	1.48	1.57	1.57	1.57	1.57	1.57
86°F	TC	22901	22932	22957	22958	22989	24281	24310	24334	24339	24368	25732	25765	25794	25799	25828	27282	27312	27342	27346	27380
	S/T	0.51	0.59	0.68	0.68	0.77	0.54	0.63	0.72	0.72	0.82	0.57	0.67	0.76	0.76	0.87	0.60	0.71	0.80	0.80	0.92
	PI	1.70	1.70	1.70	1.70	1.71	1.80	1.81	1.81	1.81	1.81	1.91	1.91	1.92	1.92	1.92	2.03	2.03	2.03	2.03	2.03
95°F	TC	25277	25311	25339	25340	25374	26801	26832	26859	26864	26896	28402	28439	28471	28476	28508	30113	30146	30179	30183	30221
	S/T	0.51	0.59	0.68	0.68	0.77	0.54	0.63	0.72	0.72	0.82	0.57	0.67	0.76	0.76	0.87	0.60	0.71	0.80	0.80	0.92
	PI	2.57	2.57	2.58	2.58	2.58	2.72	2.73	2.73	2.73	2.73	2.89	2.89	2.89	2.90	2.90	3.06	3.07	3.07	3.07	3.07
104°F	TC	22115	22145	22168	22169	22199	23448	23475	23499	23503	23531	24848	24881	24908	24913	24941	26346	26374	26403	26407	26440
	S/T	0.52	0.61	0.69	0.69	0.79	0.55	0.65	0.73	0.73	0.84	0.58	0.68	0.78	0.78	0.89	0.62	0.73	0.82	0.83	0.94
	PI	2.52	2.52	2.53	2.53	2.53	2.67	2.67	2.68	2.68	2.68	2.83	2.83	2.84	2.84	2.84	3.00	3.00	3.01	3.01	3.01
110°F	TC	20217	20245	20266	20267	20295	21436	21461	21482	21487	21512	22716	22746	22771	22775	22801	24085	24111	24138	24141	24171
	S/T	0.54	0.63	0.72	0.72	0.82	0.57	0.67	0.76	0.76	0.87	0.61	0.71	0.81	0.81	0.92	0.64	0.75	0.86	0.86	0.97
	PI	2.49	2.49	2.49	2.49	2.50	2.64	2.64	2.64	2.64	2.65	2.80	2.80	2.80	2.80	2.81	2.96	2.97	2.97	2.97	2.97
115°F	TC	16552	16574	16592	16593	16615	17549	17570	17587	17591	17612	18598	18622	18642	18646	18667	19718	19740	19761	19764	19789
	S/T	0.54	0.64	0.73	0.73	0.83	0.58	0.68	0.77	0.77	0.88	0.61	0.72	0.82	0.82	0.93	0.65	0.76	0.87	0.87	0.99
	PI	2.02	2.02	2.03	2.03	2.03	2.14	2.14	2.15	2.15	2.15	2.27	2.27	2.28	2.28	2.28	2.41	2.41	2.41	2.41	2.42
122°F	TC	11664	11680	11692	11693	11709	12367	12382	12394	12396	12411	13106	13123	13138	13140	13155	13896	13911	13926	13928	13945
	S/T	0.56	0.65	0.74	0.74	0.85	0.59	0.69	0.79	0.79	0.90	0.63	0.73	0.84	0.84	0.95	0.66	0.78	0.89	0.89	1.00
	PI	1.40	1.40	1.40	1.40	1.40	1.48	1.48	1.48	1.48	1.49	1.57	1.57	1.57	1.57	1.58	1.66	1.67	1.67	1.67	1.67

25HSHP-HH-SYS-B Expanded Cooling @ 824 CFM (Preliminary Data)

OD DB	ID WB (°F)	60.8 °F					64.4°F					67.0°F					71.6°F				
		ID DB (°F)	73.4 °F	77.0 °F	80.0 °F	80.6 °F	84.2 °F	73.4 °F	77.0 °F	80.0 °F	80.6 °F	84.2 °F	73.4 °F	77.0 °F	80.0 °F	80.6 °F	84.2 °F	73.4 °F	77.0 °F	80.0 °F	80.6 °F
50°F	TC	22775	22806	22830	22831	22862	24148	24176	24200	24205	24234	25590	25624	25652	25657	25685	27132	27162	27191	27195	27229
	S/T	0.50	0.58	0.66	0.66	0.76	0.53	0.62	0.70	0.70	0.80	0.56	0.66	0.75	0.75	0.85	0.59	0.70	0.79	0.79	0.90
	PI	1.42	1.43	1.43	1.43	1.43	1.51	1.51	1.51	1.51	1.51	1.60	1.60	1.60	1.60	1.61	1.70	1.70	1.70	1.70	1.70
59°F	TC	22686	22717	22741	22742	22773	24053	24082	24105	24110	24139	25490	25523	25552	25557	25585	27026	27055	27085	27089	27123
	S/T	0.50	0.59	0.67	0.67	0.76	0.53	0.62	0.71	0.71	0.81	0.56	0.66	0.75	0.75	0.86	0.60	0.70	0.80	0.80	0.91
	PI	1.35	1.35	1.36	1.36	1.36	1.43	1.44	1.44	1.44	1.44	1.52	1.52	1.52	1.52	1.53	1.61	1.61	1.62	1.62	1.62
68°F	TC	22597	22627	22652	22653	22683	23959	23987	24011	24016	24044	25390	25423	25451	25456	25485	26920	26949	26979	26983	27016
	S/T	0.51	0.60	0.69	0.69	0.78	0.54	0.64	0.73	0.73	0.83	0.58	0.68	0.77	0.77	0.88	0.61	0.72	0.82	0.82	0.93
	PI	1.28	1.28	1.29	1.29	1.29	1.36	1.36	1.36	1.36	1.36	1.44	1.44	1.44	1.44	1.45	1.53	1.53	1.53	1.53	1.53
77°F	TC	22508	22538	22562	22563	22594	23864	23893	23916	23921	23949	25290	25323	25351	25356	25384	26814	26843	26872	26876	26910
	S/T	0.52	0.61	0.69	0.69	0.79	0.55	0.65	0.74	0.74	0.84	0.59	0.69	0.78	0.78	0.89	0.62	0.73	0.83	0.83	0.94
	PI	1.21	1.21	1.21	1.21	1.22	1.28	1.29	1.29	1.29	1.29	1.36	1.36	1.36	1.36	1.37	1.44	1.44	1.45	1.45	1.45
80°F	TC	23017	23048	23073	23074	23105	24404	24433	24457	24462	24491	25862	25896	25925	25930	25959	27421	27451	27480	27485	27519
	S/T	0.53	0.62	0.70	0.70	0.80	0.56	0.66	0.75	0.75	0.85	0.59	0.70	0.79	0.79	0.90	0.63	0.74	0.84	0.84	0.95
	PI	1.38	1.39	1.39	1.39	1.39	1.47	1.47	1.47	1.47	1.47	1.56	1.56	1.56	1.56	1.56	1.65	1.65	1.65	1.65	1.66
86°F	TC	24130	24163	24189	24190	24222	25584	25615	25640	25645	25675	27113	27148	27178	27183	27214	28746	28778	28809	28813	28849
	S/T	0.53	0.63	0.71	0.71	0.81	0.57	0.66	0.75	0.75	0.86	0.60	0.70	0.80	0.80	0.91	0.64	0.75	0.85	0.85	0.97
	PI	1.79	1.79	1.80	1.80	1.80	1.90	1.90	1.90	1.90	1.91	2.01	2.02	2.02	2.02	2.02	2.13	2.14	2.14	2.14	2.14
95°F	TC	26634	26670	26698	26700	26736	28239	28272	28300	28306	28339	29926	29965	29998	30004	30037	31729	31764	31798	31803	31843
	S/T	0.53	0.63	0.71	0.71	0.81	0.57	0.66	0.75	0.75	0.86	0.60	0.70	0.80	0.80	0.91	0.64	0.75	0.85	0.85	0.97
	PI	2.71	2.71	2.71	2.71	2.72	2.87	2.87	2.88	2.88	2.88	3.04	3.05	3.05	3.05	3.05	3.23	3.23	3.23	3.23	3.24
104°F	TC	23302	23333	23358	23359	23391	24706	24735	24760	24764	24794	26182	26216	26245	26250	26279	27759	27790	27820	27824	27859
	S/T	0.55	0.64	0.73	0.73	0.83	0.58	0.68	0.77	0.77	0.88	0.62	0.72	0.82	0.82	0.93	0.65	0.76	0.87	0.87	0.99
	PI	2.65	2.66	2.66	2.66	2.66	2.81	2.82	2.82	2.82	2.82	2.98	2.99	2.99	2.99	2.99	3.16	3.17	3.17	3.17	3.17
110°F	TC	21302	21331	21354	21355	21384	22586	22613	22635	22640	22666	23935	23966	23993	23998	24024	25378	25405	25433	25437	25468
	S/T	0.57	0.67	0.76	0.76	0.86	0.60	0.71	0.80	0.80	0.91	0.64	0.75	0.85	0.85	0.97	0.68	0.79	0.90	0.90	1.00
	PI	2.62	2.63	2.63	2.63	2.63	2.78	2.78	2.79	2.79	2.79	2.95	2.95	2.95	2.95	2.96	3.12	3.13	3.13	3.13	3.13
115°F	TC	17440	17463	17482	17483	17506	18491	18513	18531	18535	18557	19596	19621	19643	19647	19668	20776	20799	20821	20825	20851
	S/T	0.57	0.67	0.77	0.77	0.87	0.61	0.71	0.81	0.81	0.92	0.65	0.76	0.86	0.86	0.98	0.68	0.80	0.91	0.91	1.00
	PI	2.13	2.13	2.13	2.13	2.14	2.26	2.26	2.26	2.26	2.27	2.39	2.40	2.40	2.40	2.40	2.54	2.54	2.54	2.54	2.55
122°F	TC	12290	12307	12320	12320	12337	13031	13046	13059	13062	13077	13809	13827	13842	13845	13861	14641	14657	14673	14675	14694
	S/T	0.59	0.69	0.78	0.78	0.89	0.62	0.73	0.83	0.83	0.95	0.66	0.77	0.88	0.88	1.00	0.70	0.82	0.93	0.93	1.00
	PI	1.47	1.47	1.48	1.48	1.48	1.56	1.56	1.56	1.56	1.57	1.65	1.66	1.66	1.66	1.66	1.75	1.76	1.76	1.76	1.76

25HSHP-HH-SYS-B Expanded Heating @ 629 CFM (Preliminary Data)

CFM	HEATING PERFORMANCE AT INDOOR DRY BULB TEMPERATURE										
	OD DB (°F)	TC : Total Heating Capacity(BTU/hr)					PI : Power Input(kW)				
		Indoor Conditions (DB °F)					Indoor Conditions (DB °F)				
		60.8°F	68°F	70°F	71.6°F	75.2°F	60.8°F	68°F	70°F	71.6°F	75.2°F
629	-22°F	15172	14869	14794	15102	14967	3.38	3.40	3.41	3.42	3.43
	-13°F	19288	18902	18807	18461	18295	3.86	3.89	3.90	3.91	3.92
	-4°F	21917	21479	21371	20977	20789	4.06	4.09	4.10	4.11	4.13
	0°F	22696	22242	22131	21723	21528	4.13	4.17	4.17	4.18	4.20
	5°F	23670	23197	23081	22655	22451	4.22	4.26	4.27	4.27	4.29
	14°F	24985	24485	24363	23913	23698	3.60	3.63	3.63	3.64	3.66
	17°F	25423	24914	24790	24333	24114	3.39	3.42	3.42	3.43	3.44
	22°F	24609	24117	23997	23554	23342	3.26	3.29	3.30	3.30	3.32
	27°F	23796	23320	23203	22776	22571	3.14	3.16	3.17	3.17	3.19
	32°F	22982	22523	22410	21997	21799	3.01	3.03	3.04	3.04	3.06
	35°F	22494	22045	21934	21530	21336	2.93	2.96	2.96	2.97	2.98
	37°F	23275	22809	22695	22277	22076	2.97	2.99	3.00	3.00	3.02
	42°F	25225	24721	24597	24144	23926	3.06	3.08	3.09	3.10	3.11
	44.6°F	26005	25485	25358	24890	24666	3.10	3.12	3.13	3.13	3.15
	47°F	27176	26632	26499	26011	25777	3.15	3.18	3.18	3.19	3.20
	52°F	25153	24650	24527	24075	23858	2.90	2.92	2.93	2.93	2.95
	57°F	23130	22668	22555	22139	21940	2.65	2.67	2.67	2.68	2.69
59°F	22321	21875	21766	21364	21172	2.54	2.57	2.57	2.58	2.59	
62°F	21108	20686	20582	20203	20021	2.39	2.41	2.42	2.42	2.43	
64.4°F	20299	19893	19793	19429	19254	2.29	2.31	2.32	2.32	2.33	

25HSHP-HH-SYS-B Expanded Heating @ 694 CFM (Preliminary Data)

CFM	HEATING PERFORMANCE AT INDOOR DRY BULB TEMPERATURE										
	OD DB (°F)	TC : Total Heating Capacity(BTU/hr)					PI : Power Input(kW)				
		Indoor Conditions (DB °F)					Indoor Conditions (DB °F)				
		60.8°F	68°F	70°F	71.6°F	75.2°F	60.8°F	68°F	70°F	71.6°F	75.2°F
694	-22°F	16303	15977	15897	16029	15885	3.41	3.44	3.45	3.45	3.47
	-13°F	20323	19916	19817	19594	19418	3.90	3.93	3.94	3.95	3.96
	-4°F	23093	22631	22518	22265	22065	4.10	4.13	4.14	4.15	4.17
	0°F	23914	23436	23319	23056	22849	4.17	4.21	4.22	4.22	4.24
	5°F	24940	24441	24319	24046	23829	4.27	4.30	4.31	4.32	4.33
	14°F	26325	25799	25670	25381	25153	3.63	3.66	3.67	3.68	3.69
	17°F	26787	26251	26120	25826	25594	3.42	3.45	3.46	3.47	3.48
	22°F	25930	25411	25284	25000	24775	3.30	3.32	3.33	3.34	3.35
	27°F	25073	24571	24449	24174	23956	3.17	3.19	3.20	3.21	3.22
	32°F	24216	23731	23613	23347	23137	3.04	3.06	3.07	3.08	3.09
	35°F	23701	23227	23111	22851	22646	2.96	2.99	2.99	3.00	3.01
	37°F	24524	24033	23913	23644	23431	3.00	3.02	3.03	3.03	3.05
	42°F	26579	26047	25917	25626	25395	3.09	3.12	3.12	3.13	3.14
	44.6°F	27401	26853	26719	26418	26180	3.13	3.15	3.16	3.17	3.18
	47°F	28634	28061	27921	27607	27359	3.18	3.21	3.21	3.22	3.23
	52°F	26503	25973	25843	25552	25322	2.93	2.95	2.96	2.96	2.97
	57°F	24372	23884	23765	23498	23286	2.67	2.69	2.70	2.70	2.72
59°F	23519	23049	22934	22676	22472	2.57	2.59	2.60	2.60	2.61	
62°F	22241	21796	21687	21443	21250	2.42	2.44	2.44	2.45	2.46	
64.4°F	21388	20960	20856	20621	20435	2.32	2.33	2.34	2.34	2.35	

25HSHP-HH-SYS-B Expanded Heating @ 759 CFM (Preliminary Data)

CFM	HEATING PERFORMANCE AT INDOOR DRY BULB TEMPERATURE										
	OD DB (°F)	TC : Total Heating Capacity(BTU/hr)					PI : Power Input(kW)				
		Indoor Conditions (DB °F)					Indoor Conditions (DB °F)				
		60.8°F	68°F	70°F	71.6°F	75.2°F	60.8°F	68°F	70°F	71.6°F	75.2°F
759	-22°F	17518	17168	17082	17013	16860	3.45	3.47	3.48	3.49	3.50
	-13°F	21413	20985	20880	20797	20609	3.94	3.97	3.98	3.99	4.00
	-4°F	24332	23846	23727	23632	23419	4.14	4.18	4.18	4.19	4.21
	0°F	25197	24693	24570	24472	24251	4.22	4.25	4.26	4.27	4.28
	5°F	26278	25753	25624	25522	25292	4.31	4.34	4.35	4.36	4.38
	14°F	27738	27183	27047	26939	26697	3.67	3.70	3.71	3.72	3.73
	17°F	28225	27660	27522	27412	27165	3.46	3.49	3.49	3.50	3.51
	22°F	27321	26775	26641	26535	26296	3.33	3.36	3.36	3.37	3.38
	27°F	26418	25890	25760	25657	25427	3.20	3.22	3.23	3.24	3.25
	32°F	25515	25005	24880	24780	24557	3.07	3.09	3.10	3.11	3.12
	35°F	24973	24474	24352	24254	24036	2.99	3.02	3.02	3.03	3.04
	37°F	25840	25323	25196	25095	24869	3.03	3.05	3.06	3.07	3.08
	42°F	28005	27445	27308	27199	26954	3.12	3.15	3.15	3.16	3.17
	44.6°F	28871	28294	28152	28040	27787	3.16	3.18	3.19	3.20	3.21
	47°F	30171	29567	29419	29302	29038	3.21	3.24	3.25	3.25	3.27
	52°F	27925	27367	27230	27121	26877	2.96	2.98	2.99	2.99	3.00
	57°F	25680	25166	25040	24940	24715	2.70	2.72	2.73	2.73	2.74
59°F	24781	24286	24164	24068	23851	2.60	2.62	2.62	2.63	2.64	
62°F	23434	22965	22850	22759	22554	2.44	2.46	2.47	2.47	2.48	
64.4°F	22536	22085	21975	21887	21690	2.34	2.36	2.36	2.37	2.38	

25HSHP-HH-SYS-B Expanded Heating @ 824 CFM (Preliminary Data)

CFM	HEATING PERFORMANCE AT INDOOR DRY BULB TEMPERATURE										
	OD DB (°F)	TC : Total Heating Capacity(BTU/hr)					PI : Power Input(kW)				
		Indoor Conditions (DB °F)					Indoor Conditions (DB °F)				
		60.8°F	68°F	70°F	71.6°F	75.2°F	60.8°F	68°F	70°F	71.6°F	75.2°F
824	-22°F	18458	18089	17998	17926	17765	3.48	3.51	3.52	3.52	3.54
	-13°F	22562	22111	22001	21913	21715	3.98	4.01	4.02	4.03	4.04
	-4°F	25638	25125	25000	24900	24676	4.18	4.22	4.23	4.23	4.25
	0°F	26549	26018	25888	25785	25553	4.26	4.29	4.30	4.31	4.33
	5°F	27689	27135	26999	26891	26649	4.35	4.39	4.40	4.40	4.42
	14°F	29226	28642	28499	28385	28129	3.71	3.74	3.75	3.75	3.77
	17°F	29739	29144	28999	28883	28623	3.49	3.52	3.53	3.54	3.55
	22°F	28788	28212	28071	27958	27707	3.36	3.39	3.40	3.40	3.42
	27°F	27836	27279	27143	27034	26791	3.23	3.26	3.26	3.27	3.28
	32°F	26884	26347	26215	26110	25875	3.10	3.13	3.13	3.14	3.15
	35°F	26313	25787	25658	25556	25326	3.02	3.05	3.05	3.06	3.07
	37°F	27226	26682	26548	26442	26204	3.06	3.08	3.09	3.10	3.11
	42°F	29508	28918	28773	28658	28400	3.15	3.18	3.19	3.19	3.20
	44.6°F	30421	29812	29663	29544	29279	3.19	3.22	3.22	3.23	3.24
	47°F	31790	31154	30998	30874	30596	3.25	3.27	3.28	3.29	3.30
	52°F	29424	28835	28691	28576	28319	2.99	3.01	3.02	3.02	3.04
	57°F	27058	26516	26384	26278	26042	2.73	2.75	2.75	2.76	2.77
59°F	26111	25589	25461	25359	25131	2.62	2.64	2.65	2.65	2.66	
62°F	24691	24198	24077	23980	23765	2.47	2.49	2.49	2.50	2.51	
64.4°F	23745	23270	23154	23061	22854	2.36	2.38	2.39	2.39	2.40	

30HSHP-HH-SYS-B Expanded Cooling @ 712 CFM

OD DB	ID WB (°F)	60.8 °F					64.4°F					67.0°F					71.6°F				
	ID DB (°F)	73.4 °F	77.0 °F	80.0 °F	80.6 °F	84.2 °F	73.4 °F	77.0 °F	80.0 °F	80.6 °F	84.2 °F	73.4 °F	77.0 °F	80.0 °F	80.6 °F	84.2 °F	73.4 °F	77.0 °F	80.0 °F	80.6 °F	84.2 °F
50°F	TC	21403	21432	21455	21456	21485	22693	22720	22742	22747	22774	24049	24080	24107	24111	24138	25498	25525	25553	25557	25589
	S/T	0.40	0.47	0.54	0.54	0.61	0.43	0.50	0.57	0.57	0.65	0.45	0.53	0.60	0.60	0.69	0.48	0.56	0.64	0.64	0.73
	PI	0.90	0.90	0.90	0.90	0.90	0.95	0.95	0.95	0.96	0.96	1.01	1.01	1.01	1.01	1.01	1.07	1.07	1.07	1.07	1.07
59°F	TC	21992	22022	22046	22047	22076	23318	23345	23368	23373	23401	24711	24743	24770	24775	24803	26200	26228	26257	26261	26293
	S/T	0.41	0.48	0.54	0.54	0.62	0.43	0.50	0.57	0.57	0.65	0.46	0.53	0.61	0.61	0.69	0.48	0.57	0.64	0.64	0.73
	PI	1.03	1.03	1.03	1.03	1.03	1.09	1.09	1.09	1.09	1.10	1.16	1.16	1.16	1.16	1.16	1.23	1.23	1.23	1.23	1.23
68°F	TC	22582	22612	22636	22637	22668	23942	23971	23994	23999	24028	25373	25406	25434	25439	25467	26902	26931	26960	26964	26998
	S/T	0.42	0.49	0.55	0.55	0.63	0.44	0.52	0.59	0.59	0.67	0.47	0.55	0.62	0.62	0.71	0.50	0.58	0.66	0.66	0.75
	PI	1.16	1.16	1.16	1.16	1.16	1.23	1.23	1.23	1.23	1.23	1.30	1.30	1.31	1.31	1.31	1.38	1.38	1.38	1.38	1.39
77°F	TC	23171	23202	23227	23228	23259	24567	24596	24621	24625	24655	26035	26069	26098	26103	26132	27604	27634	27664	27668	27703
	S/T	0.42	0.49	0.56	0.56	0.64	0.45	0.52	0.60	0.60	0.68	0.47	0.56	0.63	0.63	0.72	0.50	0.59	0.67	0.67	0.76
	PI	1.29	1.29	1.29	1.29	1.30	1.37	1.37	1.37	1.37	1.37	1.45	1.45	1.45	1.45	1.46	1.54	1.54	1.54	1.54	1.54
80°F	TC	23371	23403	23428	23429	23460	24780	24809	24834	24838	24868	26260	26294	26324	26328	26358	27842	27873	27903	27907	27942
	S/T	0.43	0.50	0.57	0.57	0.65	0.45	0.53	0.60	0.60	0.69	0.48	0.56	0.64	0.64	0.73	0.51	0.60	0.68	0.68	0.77
	PI	1.33	1.34	1.34	1.34	1.34	1.42	1.42	1.42	1.42	1.42	1.50	1.50	1.50	1.50	1.51	1.59	1.59	1.59	1.59	1.60
86°F	TC	24032	24064	24090	24091	24124	25480	25510	25535	25540	25571	27002	27037	27068	27073	27103	28629	28660	28692	28696	28732
	S/T	0.43	0.51	0.58	0.58	0.66	0.46	0.54	0.61	0.61	0.70	0.49	0.57	0.65	0.65	0.74	0.51	0.60	0.69	0.69	0.78
	PI	1.89	1.89	1.89	1.89	1.90	2.00	2.00	2.01	2.01	2.01	2.12	2.12	2.13	2.13	2.13	2.25	2.25	2.25	2.26	2.26
95°F	TC	25033	25066	25093	25094	25128	26541	26573	26599	26604	26636	28127	28164	28195	28200	28232	29822	29854	29887	29891	29928
	S/T	0.43	0.51	0.58	0.58	0.66	0.46	0.54	0.61	0.61	0.70	0.49	0.57	0.65	0.65	0.74	0.51	0.60	0.69	0.69	0.78
	PI	2.73	2.73	2.73	2.73	2.74	2.89	2.90	2.90	2.90	2.90	3.07	3.07	3.07	3.07	3.08	3.25	3.25	3.26	3.26	3.26
104°F	TC	22484	22514	22539	22540	22570	23839	23867	23891	23896	23924	25263	25296	25324	25329	25357	26786	26815	26844	26848	26882
	S/T	0.44	0.52	0.59	0.59	0.67	0.47	0.55	0.63	0.63	0.71	0.50	0.58	0.66	0.66	0.76	0.53	0.62	0.70	0.70	0.80
	PI	2.70	2.70	2.71	2.71	2.71	2.86	2.87	2.87	2.87	2.87	3.03	3.04	3.04	3.04	3.05	3.22	3.22	3.22	3.22	3.23
110°F	TC	20955	20983	21006	21007	21035	22218	22244	22266	22271	22297	23545	23576	23602	23607	23633	24964	24991	25018	25022	25053
	S/T	0.46	0.54	0.61	0.61	0.70	0.49	0.57	0.65	0.65	0.74	0.52	0.61	0.69	0.69	0.78	0.55	0.64	0.73	0.73	0.83
	PI	2.68	2.69	2.69	2.69	2.69	2.85	2.85	2.85	2.85	2.86	3.02	3.02	3.02	3.02	3.03	3.20	3.20	3.20	3.20	3.21
115°F	TC	17874	17898	17918	17918	17942	18951	18974	18993	18996	19019	20084	20110	20132	20136	20158	21294	21317	21340	21343	21370
	S/T	0.46	0.55	0.62	0.62	0.71	0.49	0.58	0.66	0.66	0.75	0.52	0.61	0.70	0.70	0.79	0.55	0.65	0.74	0.74	0.84
	PI	2.43	2.43	2.43	2.43	2.44	2.57	2.58	2.58	2.58	2.58	2.73	2.73	2.73	2.73	2.74	2.89	2.89	2.90	2.90	2.90
122°F	TC	13766	13785	13800	13800	13819	14596	14613	14628	14631	14648	15468	15488	15505	15508	15526	16400	16418	16436	16438	16459
	S/T	0.48	0.56	0.63	0.63	0.72	0.50	0.59	0.67	0.67	0.77	0.53	0.63	0.71	0.71	0.81	0.57	0.66	0.75	0.75	0.86
	PI	2.08	2.09	2.09	2.09	2.09	2.21	2.21	2.21	2.21	2.22	2.34	2.34	2.35	2.35	2.35	2.48	2.48	2.49	2.49	2.49

30HSHP-HH-SYS-B Expanded Cooling @ 806 CFM

OD DB	ID WB (°F)	60.8 °F					64.4°F					67.0°F					71.6°F				
		ID DB (°F)	73.4 °F	77.0 °F	80.0 °F	80.6 °F	84.2 °F	73.4 °F	77.0 °F	80.0 °F	80.6 °F	84.2 °F	73.4 °F	77.0 °F	80.0 °F	80.6 °F	84.2 °F	73.4 °F	77.0 °F	80.0 °F	80.6 °F
50°F	TC	22967	22998	23023	23024	23055	24351	24380	24404	24409	24438	25806	25839	25868	25873	25902	27361	27391	27420	27425	27459
	S/T	0.43	0.51	0.58	0.58	0.66	0.46	0.54	0.61	0.61	0.70	0.49	0.57	0.65	0.65	0.74	0.52	0.60	0.69	0.69	0.78
	PI	0.96	0.97	0.97	0.97	0.97	1.02	1.02	1.02	1.02	1.03	1.08	1.08	1.09	1.09	1.09	1.15	1.15	1.15	1.15	1.15
59°F	TC	23599	23631	23657	23658	23689	25022	25051	25076	25081	25111	26516	26551	26580	26585	26615	28114	28145	28175	28180	28215
	S/T	0.43	0.51	0.58	0.58	0.66	0.46	0.54	0.61	0.61	0.70	0.49	0.57	0.65	0.65	0.74	0.52	0.61	0.69	0.69	0.79
	PI	1.10	1.11	1.11	1.11	1.11	1.17	1.17	1.17	1.17	1.18	1.24	1.24	1.24	1.24	1.25	1.32	1.32	1.32	1.32	1.32
68°F	TC	24232	24264	24290	24291	24324	25692	25722	25748	25753	25783	27227	27262	27293	27298	27328	28867	28899	28930	28935	28971
	S/T	0.45	0.52	0.60	0.60	0.68	0.47	0.56	0.63	0.63	0.72	0.50	0.59	0.67	0.67	0.76	0.53	0.62	0.71	0.71	0.81
	PI	1.24	1.25	1.25	1.25	1.25	1.32	1.32	1.32	1.32	1.32	1.40	1.40	1.40	1.40	1.40	1.48	1.48	1.49	1.49	1.49
77°F	TC	24864	24897	24924	24925	24959	26362	26394	26420	26425	26456	27937	27974	28005	28010	28041	29621	29653	29685	29690	29727
	S/T	0.45	0.53	0.60	0.60	0.69	0.48	0.56	0.64	0.64	0.73	0.51	0.60	0.68	0.68	0.77	0.54	0.63	0.72	0.72	0.82
	PI	1.38	1.39	1.39	1.39	1.39	1.47	1.47	1.47	1.47	1.47	1.56	1.56	1.56	1.56	1.56	1.65	1.65	1.65	1.65	1.66
80°F	TC	25079	25113	25140	25141	25175	26590	26622	26648	26653	26685	28179	28216	28247	28252	28284	29877	29909	29942	29946	29984
	S/T	0.46	0.54	0.61	0.61	0.70	0.49	0.57	0.65	0.65	0.74	0.51	0.60	0.69	0.69	0.78	0.55	0.64	0.73	0.73	0.83
	PI	1.43	1.43	1.44	1.44	1.44	1.52	1.52	1.52	1.52	1.52	1.61	1.61	1.61	1.61	1.62	1.71	1.71	1.71	1.71	1.71
86°F	TC	25788	25823	25850	25851	25886	27342	27374	27401	27407	27439	28975	29013	29045	29051	29083	30721	30755	30788	30793	30831
	S/T	0.46	0.54	0.62	0.62	0.70	0.49	0.58	0.66	0.66	0.75	0.52	0.61	0.69	0.69	0.79	0.55	0.65	0.74	0.74	0.84
	PI	2.03	2.03	2.03	2.03	2.03	2.15	2.15	2.15	2.15	2.16	2.28	2.28	2.28	2.28	2.29	2.41	2.42	2.42	2.42	2.42
95°F	TC	26862	26898	26927	26928	26964	28481	28514	28543	28548	28582	30182	30221	30255	30261	30295	32001	32036	32070	32075	32115
	S/T	0.46	0.54	0.62	0.62	0.70	0.49	0.58	0.66	0.66	0.75	0.52	0.61	0.69	0.69	0.79	0.55	0.65	0.74	0.74	0.84
	PI	2.93	2.93	2.93	2.93	2.94	3.10	3.11	3.11	3.11	3.11	3.29	3.29	3.30	3.30	3.30	3.49	3.49	3.50	3.50	3.50
104°F	TC	24127	24160	24186	24187	24219	25581	25611	25637	25642	25672	27109	27145	27175	27180	27210	28743	28774	28805	28810	28846
	S/T	0.48	0.56	0.63	0.63	0.72	0.50	0.59	0.67	0.67	0.77	0.53	0.63	0.71	0.71	0.81	0.57	0.66	0.75	0.75	0.86
	PI	2.90	2.90	2.90	2.90	2.91	3.07	3.08	3.08	3.08	3.08	3.26	3.26	3.26	3.26	3.27	3.45	3.46	3.46	3.46	3.46
110°F	TC	22486	22517	22541	22542	22572	23841	23870	23893	23898	23926	25266	25299	25327	25332	25360	26788	26817	26846	26851	26884
	S/T	0.49	0.58	0.66	0.66	0.75	0.52	0.61	0.70	0.70	0.79	0.55	0.65	0.74	0.74	0.84	0.59	0.69	0.78	0.78	0.89
	PI	2.88	2.88	2.89	2.89	2.89	3.05	3.06	3.06	3.06	3.06	3.24	3.24	3.24	3.24	3.25	3.43	3.43	3.44	3.44	3.44
115°F	TC	19180	19206	19227	19228	19254	20336	20360	20380	20384	20409	21551	21579	21603	21607	21631	22850	22874	22899	22903	22931
	S/T	0.50	0.58	0.66	0.66	0.76	0.53	0.62	0.70	0.70	0.80	0.56	0.66	0.75	0.75	0.85	0.59	0.70	0.79	0.79	0.90
	PI	2.60	2.61	2.61	2.61	2.61	2.76	2.76	2.77	2.77	2.77	2.93	2.93	2.93	2.93	2.94	3.10	3.10	3.11	3.11	3.11
122°F	TC	14772	14792	14808	14809	14829	15662	15681	15697	15700	15718	16598	16620	16638	16641	16660	17598	17617	17637	17639	17661
	S/T	0.51	0.60	0.68	0.68	0.78	0.54	0.63	0.72	0.72	0.82	0.57	0.67	0.76	0.76	0.87	0.61	0.71	0.81	0.81	0.92
	PI	2.23	2.24	2.24	2.24	2.24	2.37	2.37	2.37	2.38	2.38	2.51	2.51	2.52	2.52	2.52	2.66	2.67	2.67	2.67	2.67

30HSHP-HH-SYS-B Expanded Cooling @ 894 CFM

OD DB	ID WB (°F)	60.8 °F					64.4°F					67.0°F					71.6°F				
		ID DB (°F)	73.4 °F	77.0 °F	80.0 °F	80.6 °F	84.2 °F	73.4 °F	77.0 °F	80.0 °F	80.6 °F	84.2 °F	73.4 °F	77.0 °F	80.0 °F	80.6 °F	84.2 °F	73.4 °F	77.0 °F	80.0 °F	80.6 °F
50°F	TC	24645	24678	24705	24706	24739	26130	26161	26187	26192	26224	27692	27728	27758	27764	27795	29360	29392	29424	29429	29465
	S/T	0.46	0.54	0.62	0.62	0.71	0.49	0.58	0.66	0.66	0.75	0.52	0.61	0.70	0.70	0.79	0.55	0.65	0.74	0.74	0.84
	PI	1.03	1.04	1.04	1.04	1.04	1.10	1.10	1.10	1.10	1.10	1.16	1.16	1.17	1.17	1.17	1.23	1.23	1.24	1.24	1.24
59°F	TC	25324	25358	25385	25386	25420	26850	26882	26908	26914	26945	28454	28491	28523	28528	28560	30168	30201	30234	30239	30276
	S/T	0.47	0.55	0.62	0.62	0.71	0.49	0.58	0.66	0.66	0.75	0.52	0.62	0.70	0.70	0.80	0.56	0.65	0.74	0.74	0.84
	PI	1.19	1.19	1.19	1.19	1.19	1.26	1.26	1.26	1.26	1.26	1.33	1.33	1.33	1.34	1.34	1.41	1.41	1.41	1.42	1.42
68°F	TC	26002	26037	26065	26066	26102	27569	27602	27629	27635	27667	29216	29254	29287	29292	29325	30977	31010	31044	31049	31088
	S/T	0.48	0.56	0.64	0.64	0.73	0.51	0.60	0.68	0.68	0.77	0.54	0.63	0.72	0.72	0.82	0.57	0.67	0.76	0.76	0.87
	PI	1.34	1.34	1.34	1.34	1.34	1.42	1.42	1.42	1.42	1.42	1.50	1.50	1.50	1.50	1.51	1.59	1.59	1.59	1.59	1.60
77°F	TC	26681	26717	26745	26747	26783	28289	28322	28350	28356	28389	29979	30018	30051	30057	30090	31785	31820	31854	31859	31899
	S/T	0.49	0.57	0.65	0.65	0.74	0.51	0.60	0.69	0.69	0.78	0.55	0.64	0.73	0.73	0.83	0.58	0.68	0.77	0.77	0.88
	PI	1.49	1.49	1.49	1.49	1.49	1.58	1.58	1.58	1.58	1.58	1.67	1.67	1.67	1.67	1.68	1.77	1.77	1.77	1.77	1.78
80°F	TC	26912	26948	26977	26978	27014	28533	28567	28595	28601	28635	30238	30277	30311	30317	30351	32060	32095	32130	32135	32175
	S/T	0.49	0.58	0.66	0.66	0.75	0.52	0.61	0.69	0.69	0.79	0.55	0.65	0.74	0.74	0.84	0.59	0.69	0.78	0.78	0.89
	PI	1.54	1.54	1.54	1.54	1.54	1.63	1.63	1.63	1.63	1.64	1.73	1.73	1.73	1.73	1.73	1.83	1.83	1.83	1.84	1.84
86°F	TC	27672	27709	27739	27740	27778	29340	29375	29404	29409	29444	31093	31133	31168	31174	31208	32966	33002	33038	33043	33084
	S/T	0.50	0.58	0.66	0.66	0.76	0.53	0.62	0.70	0.70	0.80	0.56	0.66	0.75	0.75	0.85	0.59	0.70	0.79	0.79	0.90
	PI	2.17	2.18	2.18	2.18	2.18	2.31	2.31	2.31	2.31	2.31	2.44	2.45	2.45	2.45	2.45	2.59	2.59	2.60	2.60	2.60
95°F	TC	28825	28863	28895	28896	28935	30562	30598	30628	30634	30671	32388	32430	32466	32472	32508	34339	34376	34414	34419	34462
	S/T	0.50	0.58	0.66	0.66	0.76	0.53	0.62	0.70	0.70	0.80	0.56	0.66	0.75	0.75	0.85	0.59	0.70	0.79	0.79	0.90
	PI	3.14	3.15	3.15	3.15	3.15	3.33	3.33	3.34	3.34	3.34	3.53	3.53	3.54	3.54	3.54	3.74	3.75	3.75	3.75	3.76
104°F	TC	25890	25925	25953	25954	25989	27450	27483	27510	27515	27548	29090	29128	29161	29166	29199	30843	30877	30910	30915	30954
	S/T	0.51	0.60	0.68	0.68	0.78	0.54	0.63	0.72	0.72	0.82	0.57	0.67	0.76	0.76	0.87	0.61	0.71	0.81	0.81	0.92
	PI	3.11	3.11	3.12	3.12	3.12	3.30	3.30	3.30	3.30	3.31	3.49	3.50	3.50	3.50	3.51	3.70	3.71	3.71	3.71	3.72
110°F	TC	24129	24162	24188	24189	24222	25584	25614	25639	25644	25675	27112	27147	27177	27183	27213	28746	28777	28808	28813	28849
	S/T	0.53	0.62	0.70	0.71	0.80	0.56	0.66	0.75	0.75	0.85	0.59	0.70	0.79	0.79	0.90	0.63	0.74	0.84	0.84	0.96
	PI	3.09	3.09	3.10	3.10	3.10	3.28	3.28	3.28	3.28	3.29	3.47	3.48	3.48	3.48	3.48	3.68	3.69	3.69	3.69	3.69
115°F	TC	20582	20609	20632	20633	20660	21822	21848	21870	21874	21900	23126	23156	23182	23186	23212	24519	24546	24573	24576	24607
	S/T	0.53	0.63	0.71	0.71	0.81	0.57	0.67	0.76	0.76	0.86	0.60	0.71	0.80	0.80	0.91	0.64	0.75	0.85	0.85	0.97
	PI	2.79	2.80	2.80	2.80	2.80	2.96	2.97	2.97	2.97	2.97	3.14	3.14	3.15	3.15	3.15	3.33	3.33	3.34	3.34	3.34
122°F	TC	15852	15873	15890	15891	15912	16807	16827	16843	16847	16867	17811	17834	17854	17857	17877	18884	18905	18925	18928	18952
	S/T	0.55	0.64	0.73	0.73	0.83	0.58	0.68	0.77	0.77	0.88	0.62	0.72	0.82	0.82	0.93	0.65	0.76	0.87	0.87	0.99
	PI	2.40	2.40	2.40	2.40	2.41	2.54	2.55	2.55	2.55	2.55	2.69	2.70	2.70	2.70	2.70	2.86	2.86	2.86	2.86	2.87

30HSH-PP-SYS-B Expanded Cooling @ 988 CFM

OD DB	ID WB (°F)	60.8 °F					64.4°F					67.0°F					71.6°F				
		ID DB (°F)	73.4 °F	77.0 °F	80.0 °F	80.6 °F	84.2 °F	73.4 °F	77.0 °F	80.0 °F	80.6 °F	84.2 °F	73.4 °F	77.0 °F	80.0 °F	80.6 °F	84.2 °F	73.4 °F	77.0 °F	80.0 °F	80.6 °F
50°F	TC	26446	26482	26510	26511	26547	28040	28073	28101	28106	28140	29715	29754	29787	29792	29826	31505	31540	31574	31579	31618
	S/T	0.50	0.58	0.66	0.66	0.76	0.53	0.62	0.70	0.70	0.80	0.56	0.66	0.75	0.75	0.85	0.59	0.70	0.79	0.79	0.90
	PI	1.11	1.11	1.11	1.11	1.11	1.18	1.18	1.18	1.18	1.18	1.25	1.25	1.25	1.25	1.25	1.32	1.32	1.33	1.33	1.33
59°F	TC	27174	27211	27240	27241	27278	28812	28846	28874	28880	28914	30533	30573	30607	30613	30647	32373	32408	32443	32448	32489
	S/T	0.50	0.59	0.67	0.67	0.76	0.53	0.62	0.71	0.71	0.81	0.56	0.66	0.75	0.75	0.86	0.60	0.70	0.80	0.80	0.91
	PI	1.27	1.27	1.27	1.27	1.28	1.35	1.35	1.35	1.35	1.35	1.43	1.43	1.43	1.43	1.43	1.51	1.52	1.52	1.52	1.52
68°F	TC	27902	27940	27970	27971	28009	29584	29619	29648	29654	29689	31351	31392	31427	31433	31468	33240	33276	33313	33318	33359
	S/T	0.51	0.60	0.69	0.69	0.78	0.54	0.64	0.73	0.73	0.83	0.58	0.68	0.77	0.77	0.88	0.61	0.72	0.82	0.82	0.93
	PI	1.43	1.43	1.44	1.44	1.44	1.52	1.52	1.52	1.52	1.52	1.61	1.61	1.61	1.61	1.62	1.71	1.71	1.71	1.71	1.71
77°F	TC	28630	28669	28700	28701	28740	30356	30392	30422	30428	30464	32169	32211	32247	32253	32289	34108	34145	34182	34187	34230
	S/T	0.52	0.61	0.69	0.69	0.79	0.55	0.65	0.74	0.74	0.84	0.59	0.69	0.78	0.78	0.89	0.62	0.73	0.83	0.83	0.94
	PI	1.59	1.60	1.60	1.60	1.60	1.69	1.69	1.69	1.69	1.70	1.79	1.79	1.80	1.80	1.80	1.90	1.90	1.90	1.90	1.91
80°F	TC	28878	28917	28948	28949	28988	30618	30655	30685	30691	30727	32448	32490	32526	32532	32568	34403	34440	34477	34483	34526
	S/T	0.53	0.62	0.70	0.70	0.80	0.56	0.66	0.75	0.75	0.85	0.59	0.70	0.79	0.79	0.90	0.63	0.74	0.84	0.84	0.95
	PI	1.65	1.65	1.65	1.65	1.66	1.75	1.75	1.75	1.75	1.75	1.85	1.86	1.86	1.86	1.86	1.96	1.97	1.97	1.97	1.97
86°F	TC	29694	29734	29766	29768	29808	31484	31521	31552	31558	31596	33365	33408	33445	33451	33489	35375	35413	35452	35457	35502
	S/T	0.53	0.63	0.71	0.71	0.81	0.57	0.66	0.75	0.75	0.86	0.60	0.70	0.80	0.80	0.91	0.64	0.75	0.85	0.85	0.97
	PI	2.33	2.34	2.34	2.34	2.34	2.47	2.48	2.48	2.48	2.48	2.62	2.63	2.63	2.63	2.63	2.78	2.78	2.79	2.79	2.79
95°F	TC	30931	30973	31006	31007	31049	32795	32834	32866	32873	32912	34754	34799	34838	34845	34884	36848	36888	36929	36934	36980
	S/T	0.53	0.63	0.71	0.71	0.81	0.57	0.66	0.75	0.75	0.86	0.60	0.70	0.80	0.80	0.91	0.64	0.75	0.85	0.85	0.97
	PI	3.37	3.38	3.38	3.38	3.38	3.57	3.58	3.58	3.58	3.59	3.79	3.79	3.80	3.80	3.80	4.02	4.02	4.02	4.03	4.03
104°F	TC	27782	27819	27849	27851	27888	29456	29491	29520	29526	29561	31216	31257	31291	31297	31332	33097	33133	33169	33174	33215
	S/T	0.55	0.64	0.73	0.73	0.83	0.58	0.68	0.77	0.77	0.88	0.62	0.72	0.82	0.82	0.93	0.65	0.76	0.87	0.87	0.99
	PI	3.34	3.34	3.34	3.34	3.35	3.54	3.54	3.55	3.55	3.55	3.75	3.75	3.76	3.76	3.76	3.97	3.98	3.98	3.98	3.99
110°F	TC	25893	25927	25955	25956	25991	27453	27485	27513	27518	27551	29093	29131	29163	29169	29201	30846	30880	30913	30918	30957
	S/T	0.57	0.67	0.76	0.76	0.86	0.60	0.71	0.80	0.80	0.91	0.64	0.75	0.85	0.85	0.97	0.68	0.79	0.90	0.90	1.00
	PI	3.32	3.32	3.32	3.32	3.33	3.52	3.52	3.52	3.52	3.53	3.73	3.73	3.73	3.74	3.74	3.95	3.95	3.96	3.96	3.96
115°F	TC	22086	22115	22139	22140	22170	23417	23444	23468	23472	23500	24816	24848	24876	24880	24908	26311	26340	26368	26372	26405
	S/T	0.57	0.67	0.77	0.77	0.87	0.61	0.71	0.81	0.81	0.92	0.65	0.76	0.86	0.86	0.98	0.68	0.80	0.91	0.91	1.00
	PI	3.00	3.00	3.01	3.01	3.01	3.18	3.18	3.19	3.19	3.19	3.37	3.37	3.38	3.38	3.38	3.57	3.58	3.58	3.58	3.58
122°F	TC	17010	17033	17051	17052	17075	18035	18056	18074	18078	18099	19113	19137	19159	19162	19184	20264	20286	20308	20311	20337
	S/T	0.59	0.69	0.78	0.78	0.89	0.62	0.73	0.83	0.83	0.95	0.66	0.77	0.88	0.88	1.00	0.70	0.82	0.93	0.93	1.00
	PI	2.57	2.58	2.58	2.58	2.58	2.73	2.73	2.73	2.74	2.74	2.89	2.90	2.90	2.90	2.90	3.07	3.07	3.07	3.07	3.08

30HSHP-HH-SYS-B Expanded Heating @ 712 CFM

CFM	HEATING PERFORMANCE AT INDOOR DRY BULB TEMPERATURE										
	OD DB (°F)	TC : Total Heating Capacity(BTU/hr)					PI : Power Input(kW)				
		Indoor Conditions (DB °F)					Indoor Conditions (DB °F)				
		60.8°F	68°F	70°F	71.6°F	75.2°F	60.8°F	68°F	70°F	71.6°F	75.2°F
712	-22°F	14412	14124	14054	14446	14316	3.83	3.86	3.87	3.87	3.89
	-13°F	17466	17117	17031	16834	16683	4.21	4.25	4.26	4.27	4.28
	-4°F	21057	20636	20533	20295	20113	4.43	4.47	4.48	4.49	4.50
	0°F	22900	22442	22330	22072	21873	4.68	4.71	4.72	4.73	4.75
	5°F	25204	24700	24576	24292	24073	4.98	5.02	5.03	5.04	5.06
	14°F	27460	26910	26776	26466	26228	4.76	4.80	4.81	4.82	4.84
	17°F	28211	27647	27509	27191	26946	4.69	4.73	4.74	4.75	4.77
	22°F	28071	27510	27372	27056	26812	4.35	4.39	4.40	4.40	4.42
	27°F	27931	27372	27236	26920	26678	4.01	4.04	4.05	4.06	4.08
	32°F	27791	27235	27099	26785	26544	3.67	3.70	3.71	3.72	3.73
	35°F	27707	27153	27017	26704	26464	3.47	3.50	3.50	3.51	3.53
	37°F	27878	27320	27183	26869	26627	3.40	3.43	3.43	3.44	3.45
	42°F	28304	27738	27600	27280	27035	3.22	3.25	3.25	3.26	3.27
	44.6°F	28475	27906	27766	27445	27198	3.15	3.17	3.18	3.19	3.20
	47°F	28731	28157	28016	27692	27443	3.04	3.06	3.07	3.08	3.09
	52°F	26619	26086	25956	25656	25425	2.95	2.97	2.98	2.99	3.00
	57°F	24506	24016	23896	23619	23407	2.86	2.88	2.89	2.90	2.91
	59°F	23661	23188	23072	22805	22600	2.83	2.85	2.85	2.86	2.87
62°F	22394	21946	21836	21583	21389	2.77	2.79	2.80	2.81	2.82	
64.4°F	21549	21118	21012	20769	20582	2.74	2.76	2.76	2.77	2.78	

30HSHP-HH-SYS-B Expanded Heating @ 806 CFM

CFM	HEATING PERFORMANCE AT INDOOR DRY BULB TEMPERATURE										
	OD DB (°F)	TC : Total Heating Capacity(BTU/hr)					PI : Power Input(kW)				
		Indoor Conditions (DB °F)					Indoor Conditions (DB °F)				
		60.8°F	68°F	70°F	71.6°F	75.2°F	60.8°F	68°F	70°F	71.6°F	75.2°F
806	-22°F	15772	15456	15379	15561	15421	3.87	3.90	3.90	3.91	3.93
	-13°F	18742	18368	18276	18133	17970	4.26	4.29	4.30	4.31	4.33
	-4°F	22596	22144	22033	21862	21665	4.48	4.51	4.52	4.53	4.55
	0°F	24574	24082	23962	23775	23561	4.72	4.76	4.77	4.78	4.80
	5°F	27045	26505	26372	26166	25931	5.03	5.07	5.08	5.09	5.11
	14°F	29466	28877	28732	28508	28252	4.81	4.85	4.86	4.87	4.89
	17°F	30273	29667	29519	29289	29025	4.74	4.78	4.79	4.80	4.82
	22°F	30122	29520	29372	29143	28881	4.40	4.43	4.44	4.45	4.47
	27°F	29972	29373	29226	28998	28737	4.05	4.09	4.09	4.10	4.12
	32°F	29822	29225	29079	28852	28593	3.71	3.74	3.75	3.76	3.77
	35°F	29731	29137	28991	28765	28506	3.50	3.53	3.54	3.55	3.56
	37°F	29915	29316	29170	28942	28682	3.43	3.46	3.47	3.47	3.49
	42°F	30373	29765	29616	29386	29121	3.25	3.28	3.28	3.29	3.30
	44.6°F	30556	29945	29795	29563	29297	3.18	3.20	3.21	3.22	3.23
	47°F	30831	30214	30063	29829	29560	3.07	3.10	3.10	3.11	3.12
	52°F	28564	27993	27853	27636	27387	2.98	3.00	3.01	3.02	3.03
	57°F	26297	25771	25642	25442	25213	2.89	2.91	2.92	2.93	2.94
59°F	25390	24882	24758	24565	24344	2.85	2.88	2.88	2.89	2.90	
62°F	24030	23549	23432	23249	23040	2.80	2.82	2.83	2.83	2.85	
64.4°F	23123	22661	22547	22372	22170	2.76	2.79	2.79	2.80	2.81	

30HSHP-HH-SYS-B Expanded Heating @ 894 CFM

CFM	HEATING PERFORMANCE AT INDOOR DRY BULB TEMPERATURE										
	OD DB (°F)	TC : Total Heating Capacity(BTU/hr)					PI : Power Input(kW)				
		Indoor Conditions (DB °F)					Indoor Conditions (DB °F)				
		60.8°F	68°F	70°F	71.6°F	75.2°F	60.8°F	68°F	70°F	71.6°F	75.2°F
894	-22°F	17259	16914	16830	16762	16611	3.90	3.94	3.94	3.95	3.97
	-13°F	20112	19710	19611	19533	19357	4.30	4.34	4.34	4.35	4.37
	-4°F	24247	23762	23643	23549	23337	4.52	4.56	4.57	4.58	4.60
	0°F	26369	25842	25713	25610	25379	4.77	4.81	4.82	4.83	4.85
	5°F	29022	28441	28299	28186	27932	5.08	5.12	5.14	5.15	5.17
	14°F	31619	30987	30832	30708	30432	4.86	4.90	4.91	4.92	4.94
	17°F	32485	31835	31676	31549	31265	4.79	4.82	4.83	4.84	4.86
	22°F	32324	31677	31519	31393	31110	4.44	4.48	4.48	4.49	4.51
	27°F	32162	31519	31361	31236	30955	4.09	4.13	4.14	4.14	4.16
	32°F	32001	31361	31204	31079	30799	3.75	3.78	3.79	3.79	3.81
	35°F	31904	31266	31109	30985	30706	3.54	3.57	3.58	3.58	3.60
	37°F	32101	31458	31301	31176	30895	3.47	3.50	3.50	3.51	3.52
	42°F	32592	31940	31781	31653	31369	3.28	3.31	3.32	3.32	3.34
	44.6°F	32789	32133	31972	31844	31558	3.21	3.24	3.24	3.25	3.26
	47°F	33084	32422	32260	32131	31842	3.10	3.13	3.13	3.14	3.15
	52°F	30651	30038	29888	29768	29500	3.01	3.03	3.04	3.05	3.06
	57°F	28218	27654	27516	27406	27159	2.92	2.94	2.95	2.95	2.97
59°F	27245	26700	26567	26461	26223	2.88	2.91	2.91	2.92	2.93	
62°F	25786	25270	25144	25043	24818	2.83	2.85	2.86	2.86	2.87	
64.4°F	24813	24316	24195	24098	23881	2.79	2.81	2.82	2.83	2.84	

30HSHP-HH-SYS-B Expanded Heating @ 988 CFM

CFM	HEATING PERFORMANCE AT INDOOR DRY BULB TEMPERATURE										
	OD DB (°F)	TC : Total Heating Capacity(BTU/hr)					PI : Power Input(kW)				
		Indoor Conditions (DB °F)					Indoor Conditions (DB °F)				
		60.8°F	68°F	70°F	71.6°F	75.2°F	60.8°F	68°F	70°F	71.6°F	75.2°F
988	-22°F	18521	18150	18059	17987	17825	3.94	3.98	3.98	3.99	4.01
	-13°F	21582	21150	21044	20960	20771	4.34	4.38	4.39	4.40	4.41
	-4°F	26019	25498	25371	25269	25042	4.57	4.61	4.61	4.62	4.64
	0°F	28296	27730	27591	27481	27234	4.82	4.86	4.87	4.88	4.90
	5°F	31142	30519	30367	30245	29973	5.14	5.18	5.19	5.20	5.22
	14°F	33930	33251	33085	32952	32656	4.91	4.95	4.96	4.97	4.99
	17°F	34859	34161	33991	33855	33550	4.83	4.87	4.88	4.89	4.91
	22°F	34685	33992	33822	33687	33383	4.48	4.52	4.53	4.54	4.56
	27°F	34512	33822	33653	33518	33217	4.14	4.17	4.18	4.19	4.20
	32°F	34339	33652	33484	33350	33050	3.79	3.82	3.82	3.83	3.85
	35°F	34235	33550	33383	33249	32950	3.58	3.60	3.61	3.62	3.63
	37°F	34446	33757	33588	33454	33153	3.50	3.53	3.54	3.54	3.56
	42°F	34974	34274	34103	33966	33661	3.32	3.34	3.35	3.36	3.37
	44.6°F	35185	34481	34309	34171	33864	3.24	3.27	3.28	3.28	3.30
	47°F	35501	34791	34617	34479	34168	3.13	3.16	3.16	3.17	3.18
	52°F	32891	32233	32072	31943	31656	3.04	3.07	3.07	3.08	3.09
	57°F	30280	29675	29526	29408	29144	2.95	2.97	2.98	2.98	3.00
59°F	29236	28651	28508	28394	28139	2.91	2.94	2.94	2.95	2.96	
62°F	27670	27117	26981	26873	26631	2.86	2.88	2.89	2.89	2.90	
64.4°F	26626	26093	25963	25859	25626	2.82	2.84	2.85	2.85	2.87	

36HSHP-HH-SYS-B Expanded Cooling @ 865 CFM

OD DB	ID WB (°F)	60.8 °F					64.4°F					67.0°F					71.6°F				
		ID DB (°F)	73.4 °F	77.0 °F	80.0 °F	80.6 °F	84.2 °F	73.4 °F	77.0 °F	80.0 °F	80.6 °F	84.2 °F	73.4 °F	77.0 °F	80.0 °F	80.6 °F	84.2 °F	73.4 °F	77.0 °F	80.0 °F	80.6 °F
50°F	TC	25733	25768	25796	25797	25832	27284	27316	27343	27349	27381	28914	28952	28984	28989	29022	30656	30690	30723	30728	30766
	S/T	0.41	0.48	0.55	0.55	0.63	0.44	0.51	0.58	0.58	0.66	0.46	0.54	0.62	0.62	0.70	0.49	0.57	0.65	0.65	0.74
	PI	1.59	1.59	1.59	1.59	1.59	1.68	1.69	1.69	1.69	1.69	1.78	1.79	1.79	1.79	1.79	1.89	1.89	1.90	1.90	1.90
59°F	TC	26082	26117	26145	26146	26182	27654	27687	27714	27719	27752	29306	29344	29377	29382	29415	31072	31105	31139	31144	31183
	S/T	0.41	0.49	0.55	0.55	0.63	0.44	0.51	0.58	0.58	0.67	0.46	0.55	0.62	0.62	0.71	0.49	0.58	0.66	0.66	0.75
	PI	1.82	1.83	1.83	1.83	1.83	1.93	1.94	1.94	1.94	1.94	2.05	2.05	2.05	2.05	2.06	2.17	2.17	2.18	2.18	2.18
68°F	TC	26431	26466	26495	26496	26532	28024	28057	28085	28090	28123	29698	29736	29770	29775	29808	31487	31521	31556	31561	31600
	S/T	0.42	0.50	0.57	0.57	0.65	0.45	0.53	0.60	0.60	0.68	0.48	0.56	0.64	0.64	0.72	0.51	0.59	0.67	0.67	0.77
	PI	2.06	2.06	2.06	2.06	2.07	2.18	2.18	2.19	2.19	2.19	2.31	2.32	2.32	2.32	2.32	2.45	2.45	2.46	2.46	2.46
77°F	TC	26780	26816	26844	26846	26882	28393	28427	28455	28461	28495	30090	30129	30162	30168	30202	31903	31937	31972	31977	32017
	S/T	0.43	0.50	0.57	0.57	0.65	0.46	0.53	0.61	0.61	0.69	0.48	0.57	0.64	0.64	0.73	0.51	0.60	0.68	0.68	0.78
	PI	2.29	2.30	2.30	2.30	2.30	2.43	2.43	2.44	2.44	2.44	2.58	2.58	2.58	2.58	2.59	2.73	2.73	2.74	2.74	2.74
80°F	TC	26898	26934	26963	26965	27001	28519	28553	28581	28587	28621	30223	30262	30296	30302	30335	32044	32079	32114	32119	32159
	S/T	0.44	0.51	0.58	0.58	0.66	0.46	0.54	0.62	0.62	0.70	0.49	0.57	0.65	0.65	0.74	0.52	0.61	0.69	0.69	0.79
	PI	2.37	2.38	2.38	2.38	2.38	2.52	2.52	2.52	2.52	2.52	2.67	2.67	2.67	2.67	2.68	2.83	2.83	2.83	2.83	2.84
86°F	TC	27321	27357	27387	27388	27425	28967	29001	29030	29036	29070	30698	30738	30772	30778	30812	32547	32583	32618	32623	32664
	S/T	0.44	0.52	0.59	0.59	0.67	0.47	0.55	0.62	0.62	0.71	0.50	0.58	0.66	0.66	0.75	0.53	0.62	0.70	0.70	0.80
	PI	2.79	2.79	2.79	2.79	2.80	2.96	2.96	2.96	2.96	2.97	3.13	3.14	3.14	3.14	3.14	3.32	3.32	3.33	3.33	3.33
95°F	TC	27961	27999	28029	28030	28068	29646	29681	29710	29716	29752	31417	31458	31493	31499	31534	33310	33346	33383	33388	33429
	S/T	0.44	0.52	0.59	0.59	0.67	0.47	0.55	0.62	0.62	0.71	0.50	0.58	0.66	0.66	0.75	0.53	0.62	0.70	0.70	0.80
	PI	3.42	3.42	3.43	3.43	3.43	3.62	3.63	3.63	3.63	3.64	3.84	3.84	3.85	3.85	3.85	4.07	4.07	4.08	4.08	4.09
104°F	TC	25744	25779	25807	25808	25843	27296	27328	27355	27361	27393	28927	28964	28997	29002	29034	30670	30703	30736	30741	30779
	S/T	0.45	0.53	0.60	0.60	0.69	0.48	0.56	0.64	0.64	0.73	0.51	0.60	0.68	0.68	0.77	0.54	0.63	0.72	0.72	0.82
	PI	3.28	3.29	3.29	3.29	3.30	3.48	3.49	3.49	3.49	3.50	3.69	3.70	3.70	3.70	3.70	3.91	3.92	3.92	3.92	3.93
110°F	TC	24415	24447	24474	24475	24508	25886	25917	25942	25947	25978	27432	27468	27499	27504	27534	29085	29117	29149	29153	29189
	S/T	0.47	0.55	0.62	0.62	0.71	0.50	0.58	0.66	0.66	0.75	0.53	0.62	0.70	0.70	0.80	0.56	0.65	0.74	0.74	0.85
	PI	3.21	3.21	3.21	3.21	3.22	3.40	3.40	3.41	3.41	3.41	3.60	3.61	3.61	3.61	3.62	3.82	3.82	3.83	3.83	3.83
115°F	TC	21010	21038	21061	21062	21090	22276	22303	22325	22329	22356	23607	23638	23664	23669	23695	25030	25057	25084	25088	25119
	S/T	0.47	0.56	0.63	0.63	0.72	0.50	0.59	0.67	0.67	0.76	0.53	0.63	0.71	0.71	0.81	0.56	0.66	0.75	0.75	0.86
	PI	2.93	2.93	2.94	2.94	2.94	3.11	3.11	3.11	3.11	3.12	3.29	3.30	3.30	3.30	3.30	3.49	3.49	3.50	3.50	3.50
122°F	TC	16471	16493	16511	16511	16534	17463	17484	17501	17505	17526	18507	18531	18551	18555	18576	19622	19643	19664	19668	19692
	S/T	0.49	0.57	0.65	0.65	0.74	0.51	0.60	0.69	0.69	0.78	0.55	0.64	0.73	0.73	0.83	0.58	0.68	0.77	0.77	0.88
	PI	2.56	2.56	2.57	2.57	2.57	2.71	2.72	2.72	2.72	2.72	2.88	2.88	2.88	2.88	2.89	3.05	3.05	3.06	3.06	3.06

36HSHP-HH-SYS-B Expanded Cooling @ 971 CFM

OD DB	ID WB (°F)	60.8 °F					64.4°F					67.0°F					71.6°F				
		ID DB (°F)	73.4 °F	77.0 °F	80.0 °F	80.6 °F	84.2 °F	73.4 °F	77.0 °F	80.0 °F	80.6 °F	84.2 °F	73.4 °F	77.0 °F	80.0 °F	80.6 °F	84.2 °F	73.4 °F	77.0 °F	80.0 °F	80.6 °F
50°F	TC	27428	27465	27494	27495	27533	29081	29115	29144	29150	29184	30818	30858	30893	30898	30933	32675	32710	32746	32751	32792
	S/T	0.44	0.51	0.58	0.58	0.67	0.46	0.55	0.62	0.62	0.71	0.49	0.58	0.66	0.66	0.75	0.52	0.61	0.70	0.70	0.79
	PI	1.69	1.70	1.70	1.70	1.70	1.80	1.80	1.80	1.80	1.80	1.90	1.90	1.91	1.91	1.91	2.02	2.02	2.02	2.02	2.02
59°F	TC	27799	27837	27867	27868	27906	29475	29510	29539	29545	29580	31236	31276	31311	31317	31352	33118	33154	33190	33195	33236
	S/T	0.44	0.52	0.59	0.59	0.67	0.47	0.55	0.62	0.62	0.71	0.50	0.58	0.66	0.66	0.75	0.52	0.62	0.70	0.70	0.80
	PI	1.94	1.95	1.95	1.95	1.95	2.06	2.06	2.06	2.07	2.07	2.18	2.19	2.19	2.19	2.19	2.32	2.32	2.32	2.32	2.32
68°F	TC	28171	28209	28240	28241	28279	29869	29904	29934	29940	29975	31653	31695	31730	31736	31771	33561	33597	33634	33639	33681
	S/T	0.45	0.53	0.60	0.60	0.69	0.48	0.56	0.64	0.64	0.73	0.51	0.60	0.68	0.68	0.77	0.54	0.63	0.72	0.72	0.82
	PI	2.19	2.20	2.20	2.20	2.20	2.33	2.33	2.33	2.33	2.33	2.46	2.47	2.47	2.47	2.47	2.61	2.62	2.62	2.62	2.62
77°F	TC	28543	28581	28612	28613	28652	30263	30299	30329	30335	30371	32071	32113	32149	32155	32190	34004	34041	34078	34083	34125
	S/T	0.46	0.54	0.61	0.61	0.70	0.49	0.57	0.65	0.65	0.74	0.51	0.60	0.69	0.69	0.78	0.55	0.64	0.73	0.73	0.83
	PI	2.44	2.45	2.45	2.45	2.45	2.59	2.59	2.60	2.60	2.60	2.75	2.75	2.75	2.75	2.76	2.91	2.91	2.92	2.92	2.92
80°F	TC	28669	28708	28739	28740	28779	30397	30433	30463	30469	30505	32213	32255	32291	32297	32333	34154	34191	34228	34234	34276
	S/T	0.46	0.54	0.62	0.62	0.71	0.49	0.58	0.66	0.66	0.75	0.52	0.61	0.70	0.70	0.79	0.55	0.65	0.74	0.74	0.84
	PI	2.53	2.53	2.54	2.54	2.54	2.68	2.68	2.69	2.69	2.69	2.84	2.85	2.85	2.85	2.85	3.01	3.02	3.02	3.02	3.02
86°F	TC	29120	29159	29190	29192	29231	30875	30911	30942	30948	30985	32719	32762	32798	32804	32841	34691	34728	34766	34772	34815
	S/T	0.47	0.55	0.63	0.63	0.71	0.50	0.58	0.66	0.66	0.76	0.53	0.62	0.70	0.70	0.80	0.56	0.66	0.75	0.75	0.85
	PI	2.97	2.98	2.98	2.98	2.98	3.15	3.15	3.16	3.16	3.16	3.34	3.34	3.35	3.35	3.35	3.54	3.54	3.55	3.55	3.55
95°F	TC	29802	29842	29874	29876	29916	31598	31636	31667	31673	31711	33486	33529	33567	33573	33611	35504	35542	35581	35586	35631
	S/T	0.47	0.55	0.63	0.63	0.71	0.50	0.58	0.66	0.66	0.76	0.53	0.62	0.70	0.70	0.80	0.56	0.66	0.75	0.75	0.85
	PI	3.64	3.65	3.65	3.65	3.66	3.86	3.87	3.87	3.87	3.88	4.09	4.10	4.10	4.10	4.11	4.34	4.34	4.35	4.35	4.35
104°F	TC	27440	27477	27506	27507	27545	29093	29128	29157	29162	29197	30832	30872	30906	30912	30946	32689	32725	32760	32765	32806
	S/T	0.48	0.57	0.64	0.64	0.73	0.51	0.60	0.68	0.68	0.78	0.54	0.64	0.72	0.72	0.82	0.57	0.67	0.77	0.77	0.87
	PI	3.50	3.51	3.51	3.51	3.51	3.71	3.72	3.72	3.72	3.73	3.93	3.94	3.94	3.94	3.95	4.17	4.18	4.18	4.18	4.19
110°F	TC	26022	26057	26085	26087	26122	27591	27623	27650	27656	27689	29239	29277	29309	29315	29348	31001	31034	31068	31073	31112
	S/T	0.50	0.59	0.67	0.67	0.76	0.53	0.62	0.71	0.71	0.80	0.56	0.66	0.75	0.75	0.85	0.59	0.70	0.79	0.79	0.90
	PI	3.42	3.42	3.43	3.43	3.43	3.62	3.63	3.63	3.63	3.64	3.84	3.84	3.85	3.85	3.85	4.07	4.08	4.08	4.08	4.09
115°F	TC	22394	22424	22448	22449	22479	23743	23771	23795	23799	23828	25162	25194	25222	25227	25255	26678	26707	26736	26740	26773
	S/T	0.51	0.59	0.67	0.67	0.77	0.54	0.63	0.71	0.71	0.81	0.57	0.67	0.76	0.76	0.86	0.60	0.71	0.80	0.80	0.91
	PI	3.12	3.13	3.13	3.13	3.13	3.31	3.31	3.32	3.32	3.32	3.51	3.51	3.52	3.52	3.52	3.72	3.72	3.73	3.73	3.73
122°F	TC	17555	17579	17598	17599	17622	18613	18635	18654	18657	18680	19725	19751	19773	19777	19799	20914	20937	20959	20963	20989
	S/T	0.52	0.61	0.69	0.69	0.79	0.55	0.64	0.73	0.73	0.83	0.58	0.68	0.77	0.77	0.88	0.62	0.72	0.82	0.82	0.94
	PI	2.73	2.73	2.74	2.74	2.74	2.89	2.90	2.90	2.90	2.90	3.07	3.07	3.07	3.07	3.08	3.25	3.25	3.26	3.26	3.26

36HSHP-HH-SYS-B Expanded Cooling @ 1,082 CFM

OD DB	ID WB (°F)	60.8 °F					64.4°F					67.0°F					71.6°F				
		ID DB (°F)	73.4 °F	77.0 °F	80.0 °F	80.6 °F	84.2 °F	73.4 °F	77.0 °F	80.0 °F	80.6 °F	84.2 °F	73.4 °F	77.0 °F	80.0 °F	80.6 °F	84.2 °F	73.4 °F	77.0 °F	80.0 °F	80.6 °F
50°F	TC	29234	29273	29305	29306	29346	30996	31032	31063	31069	31106	32847	32890	32927	32933	32970	34827	34864	34902	34908	34951
	S/T	0.47	0.55	0.62	0.62	0.71	0.50	0.58	0.66	0.66	0.75	0.53	0.62	0.70	0.70	0.80	0.56	0.65	0.74	0.74	0.85
	PI	1.80	1.81	1.81	1.81	1.81	1.91	1.92	1.92	1.92	1.92	2.03	2.03	2.03	2.03	2.04	2.15	2.15	2.15	2.15	2.16
59°F	TC	29630	29670	29702	29703	29743	31416	31453	31484	31490	31528	33293	33336	33373	33379	33417	35299	35337	35375	35381	35425
	S/T	0.47	0.55	0.63	0.63	0.71	0.50	0.58	0.66	0.66	0.76	0.53	0.62	0.70	0.70	0.80	0.56	0.66	0.75	0.75	0.85
	PI	2.07	2.07	2.08	2.08	2.08	2.20	2.20	2.20	2.20	2.20	2.33	2.33	2.33	2.33	2.34	2.47	2.47	2.47	2.47	2.48
68°F	TC	30026	30067	30099	30100	30141	31836	31874	31905	31911	31949	33738	33782	33819	33826	33863	35771	35810	35849	35854	35899
	S/T	0.48	0.57	0.64	0.64	0.73	0.51	0.60	0.68	0.68	0.78	0.54	0.64	0.72	0.72	0.82	0.57	0.67	0.77	0.77	0.87
	PI	2.34	2.34	2.34	2.34	2.35	2.48	2.48	2.48	2.48	2.49	2.63	2.63	2.63	2.63	2.64	2.79	2.79	2.79	2.79	2.80
77°F	TC	30423	30463	30496	30498	30539	32256	32294	32326	32332	32371	34183	34227	34266	34272	34310	36243	36282	36322	36327	36372
	S/T	0.49	0.57	0.65	0.65	0.74	0.52	0.61	0.69	0.69	0.79	0.55	0.64	0.73	0.73	0.83	0.58	0.68	0.78	0.78	0.88
	PI	2.60	2.61	2.61	2.61	2.61	2.76	2.77	2.77	2.77	2.77	2.93	2.93	2.93	2.93	2.94	3.10	3.11	3.11	3.11	3.11
80°F	TC	30557	30598	30631	30633	30674	32399	32437	32469	32476	32514	34334	34379	34417	34424	34462	36403	36443	36482	36488	36534
	S/T	0.49	0.58	0.66	0.66	0.75	0.52	0.62	0.70	0.70	0.80	0.56	0.65	0.74	0.74	0.84	0.59	0.69	0.79	0.79	0.90
	PI	2.70	2.70	2.70	2.70	2.71	2.86	2.86	2.86	2.86	2.87	3.03	3.03	3.04	3.04	3.04	3.21	3.21	3.22	3.22	3.22
86°F	TC	31037	31079	31113	31114	31156	32908	32947	32979	32986	33025	34874	34919	34958	34965	35004	36975	37015	37056	37061	37107
	S/T	0.50	0.59	0.67	0.67	0.76	0.53	0.62	0.71	0.71	0.81	0.56	0.66	0.75	0.75	0.86	0.60	0.70	0.80	0.80	0.91
	PI	3.17	3.17	3.17	3.18	3.18	3.36	3.36	3.37	3.37	3.37	3.56	3.56	3.57	3.57	3.57	3.77	3.78	3.78	3.78	3.79
95°F	TC	31765	31807	31842	31843	31886	33679	33719	33752	33759	33799	35691	35737	35777	35784	35824	37842	37883	37924	37930	37977
	S/T	0.50	0.59	0.67	0.67	0.76	0.53	0.62	0.71	0.71	0.81	0.56	0.66	0.75	0.75	0.86	0.60	0.70	0.80	0.80	0.91
	PI	3.88	3.89	3.89	3.89	3.90	4.12	4.12	4.12	4.13	4.13	4.36	4.37	4.37	4.37	4.38	4.62	4.63	4.63	4.64	4.64
104°F	TC	29247	29286	29318	29319	29358	31009	31046	31077	31083	31120	32862	32905	32941	32947	32984	34842	34880	34918	34923	34967
	S/T	0.51	0.60	0.68	0.68	0.78	0.54	0.64	0.73	0.73	0.83	0.58	0.68	0.77	0.77	0.88	0.61	0.72	0.82	0.82	0.93
	PI	3.73	3.74	3.74	3.74	3.75	3.96	3.96	3.97	3.97	3.97	4.19	4.20	4.20	4.20	4.21	4.45	4.45	4.46	4.46	4.46
110°F	TC	27736	27773	27803	27804	27842	29407	29442	29471	29477	29512	31164	31205	31240	31245	31280	33042	33078	33114	33119	33160
	S/T	0.53	0.62	0.71	0.71	0.81	0.56	0.66	0.75	0.75	0.86	0.60	0.70	0.80	0.80	0.91	0.63	0.74	0.85	0.85	0.96
	PI	3.64	3.65	3.65	3.65	3.66	3.86	3.87	3.87	3.87	3.88	4.09	4.10	4.10	4.10	4.11	4.34	4.34	4.35	4.35	4.35
115°F	TC	23868	23900	23926	23927	23959	25307	25337	25362	25367	25397	26819	26853	26883	26888	26918	28434	28465	28496	28501	28536
	S/T	0.54	0.63	0.72	0.72	0.82	0.57	0.67	0.76	0.76	0.87	0.61	0.71	0.81	0.81	0.92	0.64	0.75	0.86	0.86	0.98
	PI	3.33	3.33	3.34	3.34	3.34	3.53	3.53	3.54	3.54	3.54	3.74	3.74	3.75	3.75	3.75	3.96	3.97	3.97	3.97	3.98
122°F	TC	18711	18737	18757	18758	18783	19839	19863	19882	19886	19910	21024	21052	21075	21079	21103	22291	22315	22340	22343	22371
	S/T	0.55	0.65	0.73	0.73	0.84	0.58	0.69	0.78	0.78	0.89	0.62	0.73	0.83	0.83	0.94	0.66	0.77	0.88	0.88	1.00
	PI	2.91	2.91	2.92	2.92	2.92	3.08	3.09	3.09	3.09	3.09	3.27	3.27	3.28	3.28	3.28	3.46	3.47	3.47	3.47	3.48

36HSHP-HH-SYS-B Expanded Cooling @ 1,188 CFM

OD DB	ID WB (°F)	60.8 °F					64.4°F					67.0°F					71.6°F				
		ID DB (°F)	73.4 °F	77.0 °F	80.0 °F	80.6 °F	84.2 °F	73.4 °F	77.0 °F	80.0 °F	80.6 °F	84.2 °F	73.4 °F	77.0 °F	80.0 °F	80.6 °F	84.2 °F	73.4 °F	77.0 °F	80.0 °F	80.6 °F
50°F	TC	31159	31201	31234	31236	31278	33037	33076	33109	33115	33154	35010	35056	35095	35102	35141	37120	37160	37201	37207	37253
	S/T	0.50	0.58	0.66	0.66	0.76	0.53	0.62	0.70	0.70	0.80	0.56	0.66	0.75	0.75	0.85	0.59	0.70	0.79	0.79	0.90
	PI	1.92	1.93	1.93	1.93	1.93	2.04	2.04	2.04	2.04	2.05	2.16	2.16	2.17	2.17	2.17	2.29	2.29	2.30	2.30	2.30
59°F	TC	31581	31624	31658	31659	31702	33485	33524	33557	33564	33604	35485	35531	35571	35577	35617	37623	37664	37705	37711	37758
	S/T	0.50	0.59	0.67	0.67	0.76	0.53	0.62	0.71	0.71	0.81	0.56	0.66	0.75	0.75	0.86	0.60	0.70	0.80	0.80	0.91
	PI	2.21	2.21	2.21	2.21	2.22	2.34	2.34	2.35	2.35	2.35	2.48	2.48	2.49	2.49	2.49	2.63	2.63	2.64	2.64	2.64
68°F	TC	32004	32047	32081	32083	32126	33932	33972	34006	34013	34053	35960	36006	36046	36053	36093	38126	38168	38209	38215	38263
	S/T	0.51	0.60	0.69	0.69	0.78	0.54	0.64	0.73	0.73	0.83	0.58	0.68	0.77	0.77	0.88	0.61	0.72	0.82	0.82	0.93
	PI	2.49	2.50	2.50	2.50	2.50	2.64	2.65	2.65	2.65	2.65	2.80	2.80	2.81	2.81	2.81	2.97	2.97	2.98	2.98	2.98
77°F	TC	32426	32470	32504	32506	32550	34380	34421	34455	34462	34502	36434	36481	36522	36529	36570	38629	38671	38713	38719	38768
	S/T	0.52	0.61	0.69	0.69	0.79	0.55	0.65	0.74	0.74	0.84	0.59	0.69	0.78	0.78	0.89	0.62	0.73	0.83	0.83	0.94
	PI	2.78	2.78	2.78	2.78	2.79	2.94	2.95	2.95	2.95	2.95	3.12	3.12	3.13	3.13	3.13	3.31	3.31	3.31	3.32	3.32
80°F	TC	32569	32613	32648	32650	32694	34532	34573	34607	34614	34655	36595	36643	36684	36691	36732	38800	38843	38885	38891	38939
	S/T	0.53	0.62	0.70	0.70	0.80	0.56	0.66	0.75	0.75	0.85	0.59	0.70	0.79	0.79	0.90	0.63	0.74	0.84	0.84	0.95
	PI	2.87	2.88	2.88	2.88	2.88	3.05	3.05	3.05	3.05	3.06	3.23	3.23	3.24	3.24	3.24	3.42	3.43	3.43	3.43	3.44
86°F	TC	33081	33126	33161	33163	33208	35075	35116	35151	35158	35200	37170	37219	37260	37267	37309	39410	39453	39496	39502	39551
	S/T	0.53	0.63	0.71	0.71	0.81	0.57	0.66	0.75	0.75	0.86	0.60	0.70	0.80	0.80	0.91	0.64	0.75	0.85	0.85	0.97
	PI	3.38	3.38	3.38	3.38	3.39	3.58	3.58	3.59	3.59	3.59	3.79	3.80	3.80	3.80	3.81	4.02	4.03	4.03	4.03	4.04
95°F	TC	33856	33902	33938	33940	33986	35897	35939	35975	35982	36025	38041	38091	38133	38140	38183	40333	40377	40421	40427	40478
	S/T	0.53	0.63	0.71	0.71	0.81	0.57	0.66	0.75	0.75	0.86	0.60	0.70	0.80	0.80	0.91	0.64	0.75	0.85	0.85	0.97
	PI	4.14	4.14	4.15	4.15	4.15	4.39	4.39	4.40	4.40	4.40	4.65	4.65	4.66	4.66	4.67	4.93	4.93	4.94	4.94	4.95
104°F	TC	31173	31214	31248	31250	31292	33051	33090	33123	33130	33169	35026	35071	35110	35117	35156	37136	37177	37217	37223	37269
	S/T	0.55	0.64	0.73	0.73	0.83	0.58	0.68	0.77	0.77	0.88	0.62	0.72	0.82	0.82	0.93	0.65	0.76	0.87	0.87	0.99
	PI	3.98	3.98	3.99	3.99	3.99	4.22	4.22	4.23	4.23	4.23	4.47	4.48	4.48	4.48	4.49	4.74	4.74	4.75	4.75	4.76
110°F	TC	29562	29602	29634	29635	29675	31344	31381	31412	31418	31455	33216	33260	33297	33303	33340	35218	35256	35294	35300	35344
	S/T	0.57	0.67	0.76	0.76	0.86	0.60	0.71	0.80	0.80	0.91	0.64	0.75	0.85	0.85	0.97	0.68	0.79	0.90	0.90	1.00
	PI	3.88	3.89	3.89	3.89	3.90	4.12	4.12	4.12	4.13	4.13	4.36	4.37	4.37	4.37	4.38	4.62	4.63	4.63	4.64	4.64
115°F	TC	25440	25474	25502	25503	25537	26973	27005	27032	27037	27069	28585	28622	28654	28659	28691	30307	30340	30373	30378	30415
	S/T	0.57	0.67	0.77	0.77	0.87	0.61	0.71	0.81	0.81	0.92	0.65	0.76	0.86	0.86	0.98	0.68	0.80	0.91	0.91	1.00
	PI	3.55	3.55	3.56	3.56	3.56	3.76	3.76	3.77	3.77	3.77	3.99	3.99	3.99	4.00	4.00	4.23	4.23	4.23	4.23	4.24
122°F	TC	19944	19970	19992	19993	20020	21145	21171	21191	21196	21221	22409	22438	22463	22467	22492	23759	23785	23811	23814	23844
	S/T	0.59	0.69	0.78	0.78	0.89	0.62	0.73	0.83	0.83	0.95	0.66	0.77	0.88	0.88	1.00	0.70	0.82	0.93	0.93	1.00
	PI	3.10	3.10	3.11	3.11	3.11	3.29	3.29	3.29	3.29	3.30	3.48	3.49	3.49	3.49	3.50	3.69	3.70	3.70	3.70	3.71

36HSHP-HH-SYS-B Expanded Heating @ 865 CFM

CFM	HEATING PERFORMANCE AT INDOOR DRY BULB TEMPERATURE										
	OD DB (°F)	TC : Total Heating Capacity(BTU/hr)					PI : Power Input(kW)				
		Indoor Conditions (DB °F)					Indoor Conditions (DB °F)				
		60.8°F	68°F	70°F	71.6°F	75.2°F	60.8°F	68°F	70°F	71.6°F	75.2°F
865	-22°F	20482	20072	19972	20050	19869	5.20	5.24	5.25	5.26	5.28
	-13°F	23551	23080	22964	22167	21968	5.50	5.55	5.56	5.57	5.59
	-4°F	27184	26640	26507	25587	25357	5.73	5.78	5.79	5.80	5.82
	0°F	28827	28250	28109	27133	26889	5.92	5.97	5.98	5.99	6.01
	5°F	30880	30262	30111	29066	28804	6.15	6.20	6.22	6.23	6.25
	14°F	31561	30929	30775	29707	29439	5.67	5.71	5.72	5.73	5.76
	17°F	31787	31152	30996	29920	29651	5.50	5.55	5.56	5.57	5.59
	22°F	33378	32711	32547	31418	31135	5.37	5.42	5.43	5.44	5.46
	27°F	34969	34270	34098	32915	32619	5.24	5.28	5.30	5.31	5.33
	32°F	36560	35829	35650	34412	34103	5.11	5.15	5.16	5.17	5.20
	35°F	37514	36764	36580	35311	34993	5.03	5.07	5.08	5.10	5.12
	37°F	37382	36634	36451	35186	34869	4.93	4.97	4.98	4.99	5.01
	42°F	37050	36309	36128	34874	34560	4.67	4.70	4.71	4.72	4.74
	44.6°F	36918	36179	35998	34749	34436	4.56	4.60	4.61	4.62	4.64
	47°F	36719	35984	35804	34562	34251	4.40	4.44	4.45	4.46	4.48
	52°F	34019	33338	33172	32020	31732	4.28	4.31	4.32	4.33	4.34
	57°F	31319	30692	30539	29479	29214	4.15	4.18	4.19	4.20	4.21
	59°F	30239	29634	29486	28463	28206	4.09	4.13	4.14	4.14	4.16
62°F	28619	28047	27906	26938	26695	4.02	4.05	4.06	4.06	4.08	
64.4°F	27539	26988	26853	25921	25688	3.96	4.00	4.00	4.01	4.03	

36HSHP-HH-SYS-B Expanded Heating @ 971 CFM

CFM	HEATING PERFORMANCE AT INDOOR DRY BULB TEMPERATURE										
	OD DB (°F)	TC : Total Heating Capacity(BTU/hr)					PI : Power Input(kW)				
		Indoor Conditions (DB °F)					Indoor Conditions (DB °F)				
		60.8°F	68°F	70°F	71.6°F	75.2°F	60.8°F	68°F	70°F	71.6°F	75.2°F
971	-22°F	22263	21817	21708	21707	21512	5.25	5.29	5.30	5.31	5.33
	-13°F	25101	24599	24476	24000	23784	5.56	5.60	5.61	5.62	5.65
	-4°F	28974	28395	28253	27702	27453	5.79	5.83	5.85	5.86	5.88
	0°F	30725	30110	29960	29376	29112	5.98	6.03	6.04	6.05	6.07
	5°F	32913	32255	32094	31469	31186	6.22	6.27	6.28	6.29	6.32
	14°F	33639	32966	32801	32162	31873	5.72	5.77	5.78	5.79	5.82
	17°F	33881	33203	33037	32394	32102	5.56	5.60	5.62	5.63	5.65
	22°F	35576	34865	34690	34015	33709	5.43	5.47	5.48	5.49	5.52
	27°F	37272	36526	36344	35636	35315	5.30	5.34	5.35	5.36	5.38
	32°F	38967	38188	37997	37257	36922	5.16	5.21	5.22	5.23	5.25
	35°F	39985	39185	38989	38230	37886	5.08	5.13	5.14	5.15	5.17
	37°F	39843	39047	38851	38095	37752	4.98	5.02	5.03	5.04	5.06
	42°F	39490	38700	38507	37757	37417	4.71	4.75	4.76	4.77	4.79
	44.6°F	39349	38562	38369	37622	37283	4.61	4.65	4.65	4.66	4.68
	47°F	39137	38354	38162	37419	37082	4.45	4.49	4.49	4.50	4.52
	52°F	36259	35534	35356	34668	34356	4.32	4.35	4.36	4.37	4.39
	57°F	33381	32714	32550	31916	31629	4.19	4.22	4.23	4.24	4.26
59°F	32230	31586	31428	30816	30538	4.14	4.17	4.18	4.19	4.20	
62°F	30504	29893	29744	29165	28902	4.06	4.09	4.10	4.11	4.12	
64.4°F	29352	28765	28622	28064	27812	4.00	4.04	4.04	4.05	4.07	

36HSHP-HH-SYS-B Expanded Heating @ 1,082 CFM

CFM	HEATING PERFORMANCE AT INDOOR DRY BULB TEMPERATURE										
	OD DB (°F)	TC : Total Heating Capacity(BTU/hr)					PI : Power Input(kW)				
		Indoor Conditions (DB °F)					Indoor Conditions (DB °F)				
		60.8°F	68°F	70°F	71.6°F	75.2°F	60.8°F	68°F	70°F	71.6°F	75.2°F
1082	-22°F	24199	23715	23596	23502	23290	5.30	5.34	5.35	5.37	5.39
	-13°F	26754	26219	26088	25984	25750	5.61	5.66	5.67	5.68	5.70
	-4°F	30882	30264	30113	29993	29723	5.85	5.89	5.90	5.92	5.94
	0°F	32748	32093	31933	31805	31519	6.04	6.09	6.10	6.11	6.14
	5°F	35081	34379	34207	34070	33764	6.28	6.33	6.34	6.35	6.38
	14°F	35854	35137	34961	34821	34508	5.78	5.83	5.84	5.85	5.87
	17°F	36112	35389	35213	35072	34756	5.62	5.66	5.67	5.68	5.71
	22°F	37919	37161	36975	36827	36495	5.48	5.53	5.54	5.55	5.57
	27°F	39726	38932	38737	38582	38235	5.35	5.39	5.40	5.41	5.44
	32°F	41534	40703	40499	40337	39974	5.22	5.26	5.27	5.28	5.30
	35°F	42618	41766	41557	41390	41018	5.14	5.18	5.19	5.20	5.22
	37°F	42467	41618	41410	41244	40873	5.03	5.07	5.08	5.09	5.11
	42°F	42090	41249	41042	40878	40510	4.76	4.80	4.81	4.82	4.84
	44.6°F	41940	41101	40895	40732	40365	4.65	4.69	4.70	4.71	4.73
	47°F	41714	40879	40675	40512	40148	4.49	4.53	4.54	4.55	4.57
	52°F	38647	37874	37684	37534	37196	4.36	4.40	4.41	4.41	4.43
	57°F	35579	34868	34693	34555	34244	4.23	4.26	4.27	4.28	4.30
	59°F	34352	33665	33497	33363	33063	4.18	4.21	4.22	4.23	4.24
62°F	32512	31862	31703	31576	31292	4.10	4.13	4.14	4.15	4.16	
64.4°F	31285	30660	30506	30384	30111	4.04	4.08	4.09	4.09	4.11	

36HSHP-HH-SYS-B Expanded Heating @ 1,188 CFM

CFM	HEATING PERFORMANCE AT INDOOR DRY BULB TEMPERATURE										
	OD DB (°F)	TC : Total Heating Capacity(BTU/hr)					PI : Power Input(kW)				
		Indoor Conditions (DB °F)					Indoor Conditions (DB °F)				
		60.8°F	68°F	70°F	71.6°F	75.2°F	60.8°F	68°F	70°F	71.6°F	75.2°F
1188	-22°F	25792	25276	25150	25049	24824	5.35	5.40	5.41	5.42	5.44
	-13°F	28516	27946	27806	27695	27446	5.67	5.72	5.73	5.74	5.76
	-4°F	32916	32257	32096	31968	31680	5.90	5.95	5.96	5.98	6.00
	0°F	34905	34207	34036	33899	33594	6.10	6.15	6.16	6.17	6.20
	5°F	37391	36643	36460	36314	35987	6.34	6.39	6.41	6.42	6.44
	14°F	38215	37451	37263	37114	36780	5.84	5.89	5.90	5.91	5.93
	17°F	38490	37720	37531	37381	37045	5.67	5.72	5.73	5.74	5.76
	22°F	40416	39608	39410	39252	38899	5.54	5.58	5.59	5.60	5.63
	27°F	42342	41495	41288	41123	40753	5.40	5.45	5.46	5.47	5.49
	32°F	44269	43383	43166	42994	42607	5.27	5.31	5.32	5.33	5.35
	35°F	45424	44516	44293	44116	43719	5.19	5.23	5.24	5.25	5.27
	37°F	45264	44358	44137	43960	43564	5.08	5.12	5.13	5.14	5.16
	42°F	44862	43965	43745	43570	43178	4.81	4.85	4.86	4.87	4.89
	44.6°F	44702	43808	43588	43414	43023	4.70	4.74	4.75	4.76	4.78
	47°F	44461	43571	43354	43180	42792	4.54	4.58	4.59	4.59	4.61
	52°F	41191	40368	40166	40005	39645	4.41	4.44	4.45	4.46	4.48
	57°F	37922	37164	36978	36830	36499	4.27	4.31	4.32	4.32	4.34
	59°F	36615	35882	35703	35560	35240	4.22	4.25	4.26	4.27	4.29
62°F	34653	33960	33790	33655	33352	4.14	4.17	4.18	4.19	4.21	
64.4°F	33345	32679	32515	32385	32094	4.09	4.12	4.13	4.14	4.15	

TC:Total Cooling Capacity (BTU/hr)

S/T:Sensible Cooling Capacity Ratio

PI:Power Input(kW)

Control Options

Thermostats

Part Number	Description
MMT4522-001	24V 2H/1C Programmable Thermostat with Occupancy Sensor Input and Standard Display.
MMT8532-002	24V 2H/1C Programmable Thermostat with Occupancy Sensor Input and Deluxe Display.
MMT8532OCC-1	24V 2H/1C Programmable Thermostat with Built-In Occupancy Sensor and Deluxe Display.
MMW-1	24V 2H/1C Non-Programmable Wireless Thermostat.

The HSHP-SYS includes a factory installed 24V control board, in the outdoor heat pump, and can be used with most standard 24V thermostats.



MMT4522-001



MMT8532-002



MMW-1



Wired Wall Controllers and IR Controller

Part Number	Description
SWC120LR	Standard wired wall controller with operation mode control, timer and fan speed functions.
DWC120X2	Deluxe wired wall controller with programmable weekly timer, auto-restart, child lock, and follow me functions. The DWC120X2 also functions as a receiver for the MWRC remote controller.
WIFI-DWC120X2	Deluxe wired wall controller with WFI and app, with programmable weekly timer, auto-restart, child lock, Turbo function, follow me function and more. The WIFI-DWC120X2 also functions as a receiver for the MWRC remote controller.
MWRC2	Wireless infrared remote controller with timer, sleep function, follow me and turbo function. Internal functions, such as setting airflow, can be made with this remote controller, as well.



SWC120LR

Standard Wired
Wall Controller



WIFI-DWC120X2

WIFI Deluxe Wired
Wall Controller



MWRC2

Wireless Remote

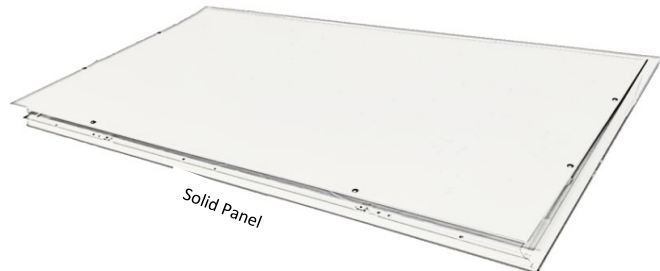
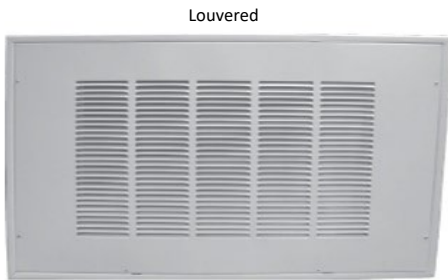
Access Panels

Ceiling Access Panels / Filter Grilles								
Model Number	Panel Part Number	Style	Filter Rack	Filter Quantity	Inside Frame Dimensions		Outside Frame Dimensions	
18HSHP	965-LA	Louvered	20 X 30 X 1	1	24.5	40	27.5	43
	965-LB	Louvered	20 X 30 X 2	1	24.5	40	27.5	43
	965-S	Solid	N/A	N/A	24.5	40	27.5	43
24HSHP	966-LA	Louvered	20 X 20 X 1	2	24.5	46	27.5	49
	966-LB	Louvered	20 X 20 X 2	2	24.5	46	27.5	49
	966-S	Solid	N/A	N/A	24.5	46	27.5	49
30HSHP	967-LA	Louvered	20 X 20 X 1	2	24.5	52.5	27.5	55.5
	967-LB	Louvered	20 X 20 X 2	2	24.5	52.5	27.5	55.5
	967-S	Solid	N/A	N/A	24.5	52.5	27.5	55.5
36HSHP	967-6-LA	Louvered	20 X 25 X 1	2	24.5	60	27.5	63
	967-6-LB	Louvered	20 X 25 X 2	2	24.5	60	27.5	63
	967-6-S	Solid	N/A	N/A	24.5	60	27.5	63

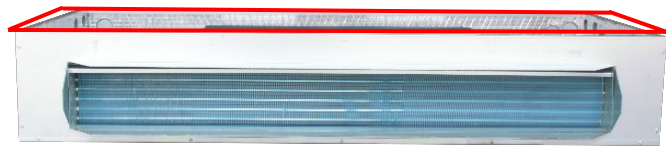
Access Panels are not included with the HSHP series units.

Filters are not included with the louvered access panels.

Please refer to the Multi Manufacturing Louvered Access Panel Performance brochure for Merv 8, Merv 11 and Merv 13 pressure drop information.



Bottom Cap	
Model Number	Bottom Cap Part Number
18HSHP	CAP-18
24HSHP	CAP-24
30HSHP	CAP-30
36HSHP	CAP-36



With Galvanized Steel Construction, with Foil-Face insulation lining, the Bottom Caps are designed for use in a suspended ceiling, ducted application. A Bottom Cap would be used in place of a ceiling access panel in such applications.

Bottom Caps have a 1/2" lip around the perimeter, and can be fastened to the cabinet with 1/4" zip screws.



**33380 Zeiders Road, Suite 101
Menifee, CA 92584**

Phone 888-741-9775

Fax 760-480-8904

www.multimfg-usa.com