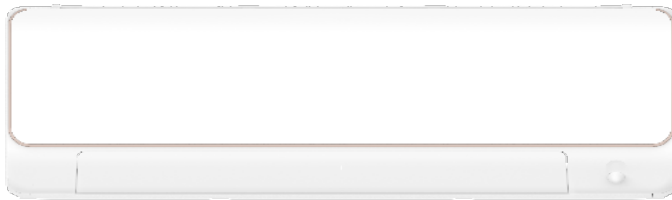




HWMS-HH-B

High Wall Mini Split Heat Pump System

R454b Model



Hyper Heat Mini Split System, with Inverter Technology

1/2 Ton - 2.5 Ton, with Efficiencies up to 26.00 SEER2 and 16.0 EER2



R454b

The HWMS is a highly efficient split system, with a high wall mini split fan coil and an outdoor side discharge heat pump unit. The indoor fan coil can be installed in various locations. This system supplies comfortable cooling and heating performance at low sound levels.

Typical installations for the HWMS-HH include:

- Apartments
- Condominiums
- Independent Care Facilities
- Pre Manufactured Homes
- Single Family Home Additions
- Modular Buildings
- Student Housing
- Offices
- Stores



Features

Highly Efficient / High Performance

- Highly Efficient Inverter Compressor, with Efficiencies up to 26.00 SEER2
- Low Amp Draw DC motor in Outdoor HP

Quiet Operation, Inside and Outside

- Low Sone DC motor in HWMS Fan Coil
- Quiet Inverter Compressor in Outdoor Heat Pump, with low Sound Levels

Heating at Low Ambient Conditions

- Standard Base Pan Heaters
- Hyper Heat (100% Heating Capacity down to 5° F)
- Low Ambient Kit

Controls

- Standard Wireless Remote or Optional Wired Wall Controller
- Optional WiFi Module available

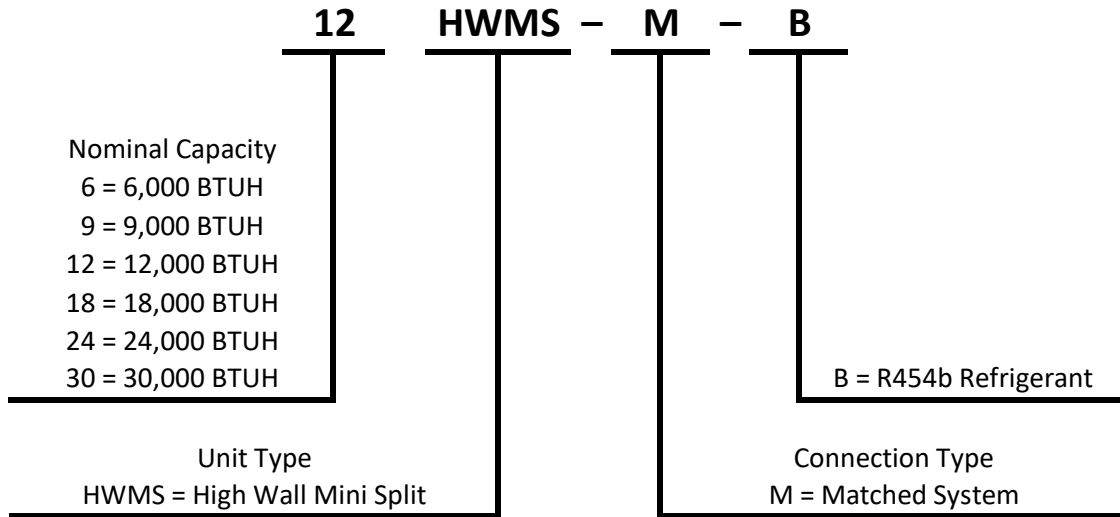
Design

- Gold Fin Coil Protection on Indoor Fan Coil and Outdoor Heat Pump
- Automatic Restart Function
- Follow Me Function with Wireless Remote Control
- Turbo Mode
- Low Refrigerant Pressure Notification
- Environmentally Friendly R454b Refrigerant

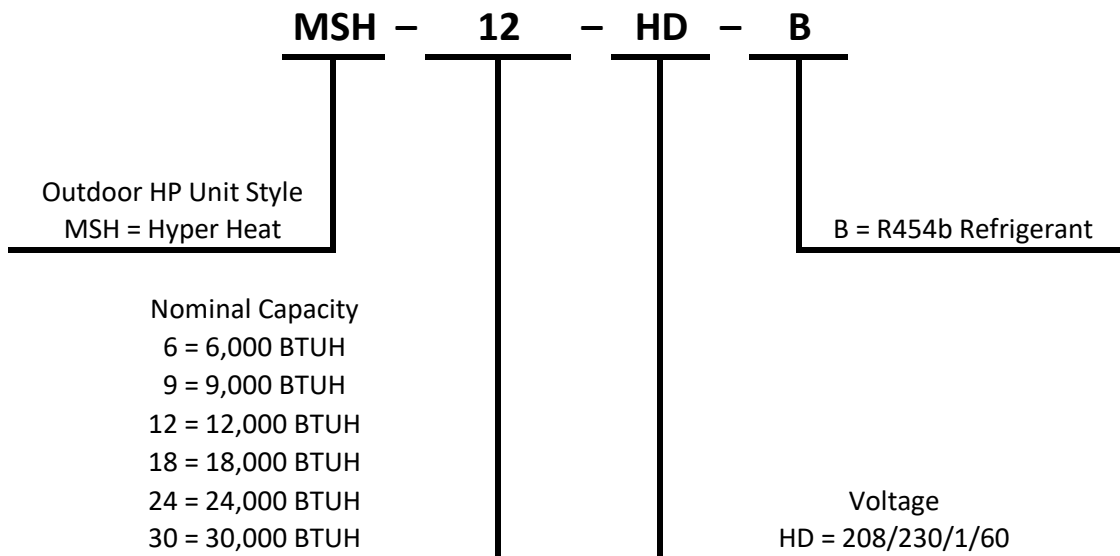


Nomenclature

Indoor Unit



Outdoor Unit



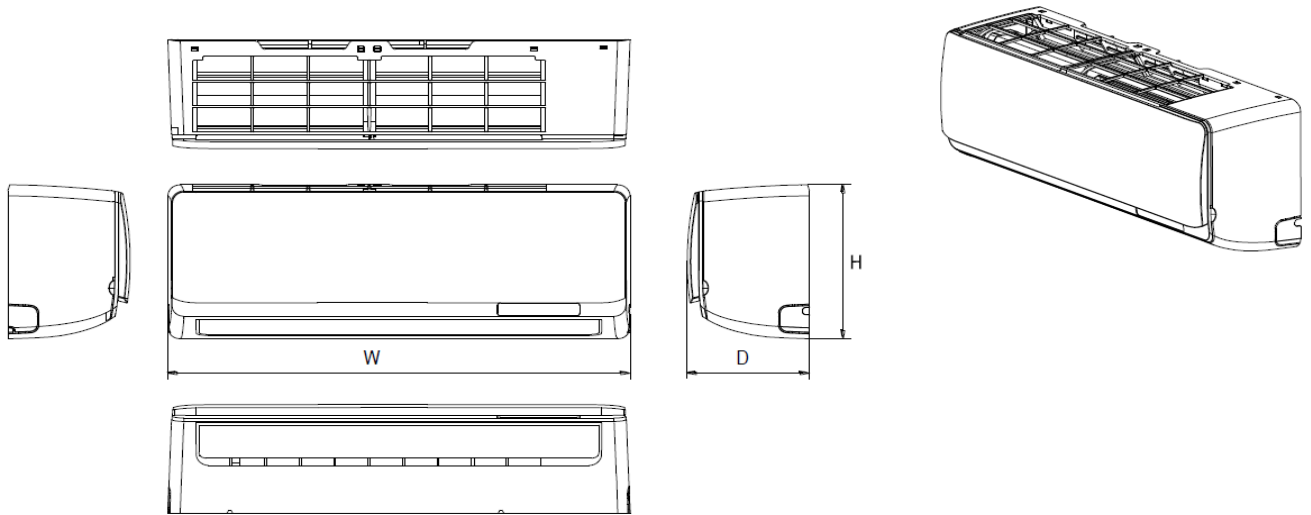
System

System Model Number	Indoor Unit	Outdoor Unit
6HWMS-HH-SYS-B	6HWMS-M-B	MSH-06HD-B
9HWMS-HH-SYS-B	9HWMS-M-B	MSH-09HD-B
12HWMS-HH-SYS-B	12HWMS-M-B	MSH-12HD-B
18HWMS-HH-SYS-B	18HWMS-M-B	MSH-18HD-B
24HWMS-HH-SYS-B	24HWMS-M-B	MSH-24HD-B
30HWMS-HH-SYS-B	30HWMS-M-B	MSH-30HD-B

HWMS

1/2 ton - 2 1/2 ton High Wall Fan Coil

Dimensional Data



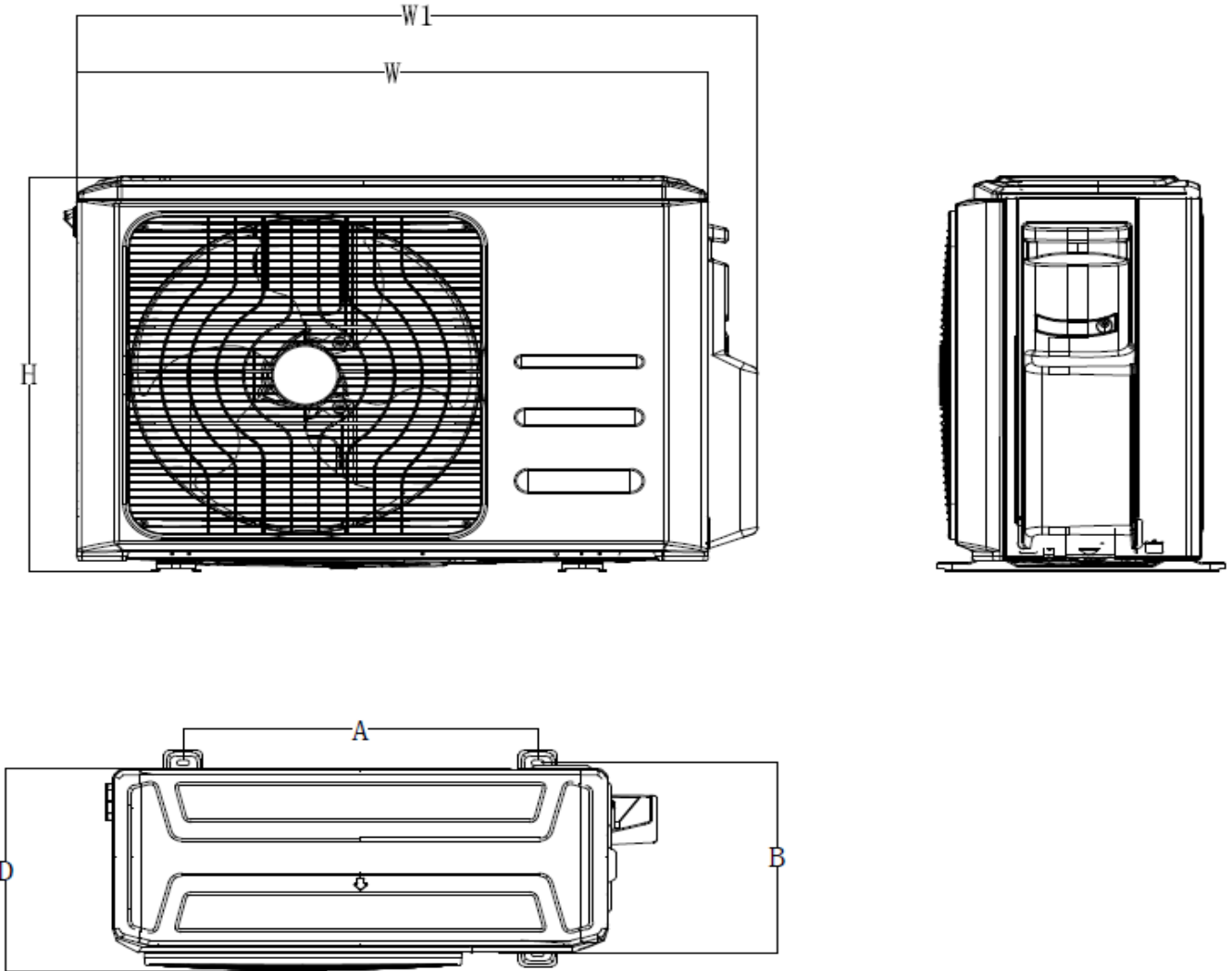
Unit	H	W	D	Weight
6HWMS0-M-B	11.76	33.40	9.18	22.7
9HWMS0-M-B	11.76	33.40	9.18	22.7
12HWMS0-M-B	11.76	33.40	9.18	22.9
18HWMS0-M-B	12.60	40.06	9.72	27.1
24HWMS0-M-B	14.59	46.85	11.20	43.7
30HWMS0-M-B	15.59	47.85	12.20	44.7
Dimensions shown are in Inches				
Weights shown are in lbs				



MSH

1/2 ton - 2 1/2ton Hyper Heat HP Outdoor Units

Dimensional Data



Unit	Unit Width (W)	Unit Depth (D)	Unit Height (H)	W1	Bracket Width (A)	Bracket Depth (B)	Weight
MSH-06HD-B	30.12	11.88	21.88	32.88	17.75	11.25	62
MSH-09HD-B	32.13	13.00	21.75	34.38	20.13	12.50	73
MSH-12HD-B	32.13	13.00	21.75	34.38	20.13	12.50	73
MSH-18HD-B	35.25	13.50	26.50	37.63	26.13	13.25	100
MSH-24HD-B	37.25	16.13	31.88	40.50	26.50	15.88	130
MSH-30HD-B	37.25	16.13	31.88	40.50	26.50	15.88	157
Dimensions shown are in Inches							
Weights shown are in lbs							

HWMS-HH-B

1/2 ton - 2 1/2 ton Hyper Heat HP

System Specifications

System Model		6HWMS0-HH-SYS-B	9HWMS0-HH-SYS-B	12HWMS0-HH-SYS-B	18HWMS0-HH-SYS-B	24HWMS0-HH-SYS-B	30HWMS0-HH-SYS-B	
Indoor Model		6HWMS0-M-B	9HWMS0-M-B	12HWMS0-M-B	18HWMS0-M-B	24HWMS0-M-B	30HWMS0-M-B	
Outdoor Model		MSH-06HD-B	MSH-09HD-B	MSH-12HD-B	MSH-18HD-B	MSH-24HD-B	MSH-30HD-B	
Energy Star (Cold Climate Split HP)		No	Yes	Yes	No	Yes	Yes	
Energy Star (Meets Peak Cooling Requirements)		No	Yes	Yes	No	Yes	Yes	
Power supply		V/Hz/Ph	208/230/60/1	208/230/60/1	208/230/60/1	208/230/60/1	208/230/60/1	
Cooling	Capacity	Btu/h	6000	9000	12000	18000	23000	33000
	Input	W	375	600	910	1384	1840	2821
	Rated current	A	3.1	4.0	4.1	9.0	8.4	12.6
	EER2	Btu/W	16.0	15.0	13.2	13.0	12.5	11.7
	SEER2		25.30	26.00	24.00	21.70	22.30	20.00
Heating	Capacity	Btu/h	7000	12000	12000	18000	26000	36000
	Input	W	540	970	907	1490	2498	3277
	Rated current	A	4.00	4.30	4.30	9.50	11.20	14.10
	COP	W/W	3.8	3.6	3.6	3.5	3.1	3.2
	HSPF2		14.6	12.5	10.5	10.8	13.3	10.5
Fan Coil Power Supply			Fan Coil Powered from Outdoor Heat Pump					
Min Circuit Ampacity	A	12.0	15.0	15.0	19.0	25.0	34.0	
MAX.FUSE	A	15.0	15.0	15.0	20.0	35.0	35.0	
Indoor air flow (Turbo/Hi/Med/Lo)	CFM	294/235/177/141	383/294/194/153	383/294/194/153	759/500/441/371	759/589/459/383	830/677/530/447	
Indoor noise level (Hi/Med/Lo)	dB(A)	37.0/32.0/24.0	39.5/33.0/24.0	39.5/33.0/24.0	45.0/40.0/24.5	49.5/43.5/34.5	52.5/46.5/29.5	
Outdoor air flow	CFM	1235	1470	1470	1765	2235	2235	
Outdoor noise level	dB(A)	53.0	56.0	56.0	59.0	61.0	63.5	
Refrigerant	Type	R454B	R454B	R454B	R454B	R454B	R454B	
Ref Precharge	oz	32.45	35.27	35.27	55.38	63.49	87.13	
Refrigerant precharge	ft	25	25	25	25	25	25	
Additional charge / ft	oz	0.16	0.16	0.16	0.16	0.32	0.32	
Drain Line Diameter	inch	ODΦ1	ODΦ1	ODΦ1	ODΦ1	ODΦ1	ODΦ1	
Ref Piping	Liquid / Suction	inch	1/4 / 3/8	1/4 / 3/8	1/4 / 3/8	1/4 / 1/2	3/8 / 5/8	3/8 / 3/4
	Max. Pipe Length	ft	82	82	82	98	164	164
	Max. Pipe Lift	ft	49	49	49	66	82	82
Connection Wiring			14AWG*4 Stranded, Shielded					
Thermostat Type			Wireless Remote Control or Wired Wall Controller					
Room Temp	Indoor Cooling	°F	60~90	60~90	60~90	60~90	60~90	60~90
	Indoor Heating	°F	32~86	32~86	32~86	32~86	32~86	32~86
	Outdoor Cooling	°F	-22~122	-22~122	-22~122	-22~122	-22~122	-22~122
	Outdoor Heating	°F	-22~75	-22~75	-22~75	-22~75	-22~75	-22~75

6HWMS0-HH-SYS-B Expanded Cooling @ 141 CFM

CFM	OD DB (°F)	ID WB	60.8°F (16.0°C)					64.4°F (18.0°C)					67°F (19.4°C)					71.6°F (22.0°C)				
			ID DB					ID DB					ID DB					ID DB				
			73.4°F	77.0°F	80.0°F	80.6°F	84.2°F	73.4°F	77.0°F	80.0°F	80.6°F	84.2°F	73.4°F	77.0°F	80.0°F	80.6°F	84.2°F	73.4°F	77.0°F	80.0°F	80.6°F	84.2°F
23.0°C	25.0°C	26.7°C	27.0°C	29.0°C	23.0°C	25.0°C	26.7°C	27.0°C	29.0°C	23.0°C	25.0°C	26.7°C	27.0°C	29.0°C	23.0°C	25.0°C	26.7°C	27.0°C	29.0°C			
141	50°F (10°C)	TC	30492	30533	30566	30567	30608	32329	32368	32400	32406	32445	34261	34305	34344	34350	34388	36325	36365	36404	36410	36455
		S/T	0.41	0.48	0.55	0.55	0.63	0.44	0.51	0.58	0.58	0.66	0.46	0.54	0.62	0.62	0.70	0.49	0.58	0.65	0.65	0.75
		PI	1.39	1.39	1.39	1.39	1.39	1.47	1.47	1.47	1.47	1.48	1.56	1.56	1.56	1.56	1.56	1.65	1.65	1.66	1.66	1.66
	59°F (15°C)	TC	30375	30416	30449	30450	30491	32206	32244	32276	32282	32321	34130	34174	34213	34219	34257	36187	36226	36265	36271	36316
		S/T	0.41	0.49	0.55	0.55	0.63	0.44	0.52	0.59	0.59	0.67	0.47	0.55	0.62	0.62	0.71	0.49	0.58	0.66	0.66	0.75
		PI	1.58	1.58	1.59	1.59	1.59	1.68	1.68	1.68	1.68	1.68	1.78	1.78	1.78	1.78	1.78	1.88	1.89	1.89	1.89	1.89
	68°F (20°C)	TC	30259	30300	30332	30334	30375	32083	32121	32152	32159	32197	33999	34044	34081	34088	34126	36048	36087	36126	36132	36177
		S/T	0.43	0.50	0.57	0.57	0.65	0.45	0.53	0.60	0.60	0.69	0.48	0.56	0.64	0.64	0.73	0.51	0.59	0.68	0.68	0.77
		PI	1.78	1.78	1.78	1.78	1.78	1.88	1.89	1.89	1.89	1.89	2.00	2.00	2.00	2.00	2.00	2.12	2.12	2.12	2.12	2.12
	77°F (25°C)	TC	30143	30183	30216	30217	30258	31959	31997	32029	32035	32073	33869	33913	33950	33957	33995	35909	35948	35987	35993	36038
		S/T	0.43	0.51	0.57	0.57	0.65	0.46	0.54	0.61	0.61	0.69	0.48	0.57	0.65	0.65	0.74	0.51	0.60	0.68	0.68	0.78
		PI	1.97	1.97	1.98	1.98	1.98	2.09	2.09	2.09	2.09	2.10	2.21	2.22	2.22	2.22	2.22	2.35	2.35	2.35	2.35	2.36
	82°F (27.8°C)	TC	30161	30202	30235	30236	30277	31979	32017	32049	32055	32093	33890	33934	33972	33978	34016	35932	35971	36010	36015	36060
		S/T	0.44	0.51	0.58	0.58	0.66	0.46	0.54	0.62	0.62	0.70	0.49	0.58	0.65	0.65	0.75	0.52	0.61	0.69	0.69	0.79
		PI	2.19	2.20	2.20	2.20	2.20	2.32	2.33	2.33	2.33	2.33	2.46	2.47	2.47	2.47	2.47	2.61	2.61	2.62	2.62	2.62
	86°F (30°C)	TC	30282	30323	30355	30357	30398	32107	32145	32177	32183	32221	34025	34069	34107	34113	34152	36075	36114	36154	36159	36204
		S/T	0.44	0.52	0.59	0.59	0.67	0.47	0.55	0.62	0.62	0.71	0.50	0.58	0.66	0.66	0.75	0.53	0.62	0.70	0.70	0.80
		PI	2.51	2.52	2.52	2.52	2.52	2.66	2.67	2.67	2.67	2.67	2.82	2.83	2.83	2.83	2.83	2.99	3.00	3.00	3.00	3.00
	95°F (35°C)	TC	30553	30594	30627	30628	30669	32394	32432	32464	32471	32509	34329	34374	34412	34419	34457	36398	36437	36477	36483	36528
		S/T	0.44	0.52	0.59	0.59	0.67	0.47	0.55	0.62	0.62	0.71	0.50	0.58	0.66	0.66	0.75	0.53	0.62	0.70	0.70	0.80
		PI	3.23	3.24	3.24	3.24	3.24	3.43	3.43	3.43	3.43	3.44	3.63	3.64	3.64	3.64	3.64	3.85	3.85	3.86	3.86	3.86
	104°F (40°C)	TC	28016	28053	28083	28085	28123	29704	29739	29768	29774	29810	31479	31519	31555	31560	31596	33375	33411	33448	33453	33495
		S/T	0.45	0.53	0.60	0.60	0.69	0.48	0.56	0.64	0.64	0.73	0.51	0.60	0.68	0.68	0.77	0.54	0.63	0.72	0.72	0.82
		PI	3.20	3.20	3.21	3.21	3.21	3.39	3.39	3.40	3.40	3.40	3.59	3.60	3.60	3.60	3.61	3.81	3.81	3.82	3.82	3.82
110°F (43°C)	TC	26493	26529	26557	26559	26594	28090	28123	28151	28156	28190	29768	29807	29840	29846	29879	31562	31596	31630	31635	31675	
	S/T	0.47	0.55	0.63	0.63	0.71	0.50	0.58	0.66	0.66	0.76	0.53	0.62	0.70	0.70	0.80	0.56	0.66	0.75	0.75	0.85	
	PI	3.18	3.18	3.19	3.19	3.19	3.37	3.37	3.38	3.38	3.38	3.57	3.58	3.58	3.58	3.58	3.79	3.79	3.79	3.79	3.80	
115°F (46°C)	TC	22651	22682	22706	22707	22738	24016	24045	24069	24073	24102	25451	25484	25513	25517	25546	26985	27014	27043	27048	27081	
	S/T	0.47	0.56	0.63	0.63	0.72	0.50	0.59	0.67	0.67	0.77	0.53	0.63	0.71	0.71	0.81	0.57	0.66	0.75	0.75	0.86	
	PI	2.85	2.86	2.86	2.86	2.86	3.02	3.03	3.03	3.03	3.04	3.20	3.21	3.21	3.21	3.22	3.40	3.40	3.41	3.41	3.41	
122°F (50°C)	TC	17529	17552	17571	17572	17596	18585	18607	18625	18629	18651	19695	19721	19743	19747	19769	20882	20905	20928	20931	20957	
	S/T	0.49	0.57	0.65	0.65	0.74	0.52	0.60	0.69	0.69	0.78	0.55	0.64	0.73	0.73	0.83	0.58	0.68	0.77	0.77	0.88	
	PI	2.42	2.42	2.42	2.42	2.43	2.56	2.57	2.57	2.57	2.57	2.72	2.72	2.72	2.72	2.73	2.88	2.88	2.89	2.89	2.89	

TC: Total Cooling Capacity (BTU/hr)

S/T: Sensible Cooling Capacity Ratio

PI: Power Input (kW)

6HWMS0-HH-SYS-B Expanded Cooling @ 178 CFM

CFM	OD DB (°F)	ID WB	60.8°F (16.0°C)					64.4°F (18.0°C)					67°F (19.4°C)					71.6°F (22.0°C)				
			ID DB					ID DB					ID DB					ID DB				
			73.4°F	77.0°F	80.0°F	80.6°F	84.2°F	73.4°F	77.0°F	80.0°F	80.6°F	84.2°F	73.4°F	77.0°F	80.0°F	80.6°F	84.2°F	73.4°F	77.0°F	80.0°F	80.6°F	84.2°F
23.0°C	25.0°C	26.7°C	27.0°C	29.0°C	23.0°C	25.0°C	26.7°C	27.0°C	29.0°C	23.0°C	25.0°C	26.7°C	27.0°C	29.0°C	23.0°C	25.0°C	26.7°C	27.0°C	29.0°C			
178	50°F (10°C)	TC	30492	30533	30566	30567	30608	32329	32368	32400	32406	32445	34261	34305	34344	34350	34388	36325	36365	36404	36410	36455
		S/T	0.41	0.48	0.55	0.55	0.63	0.44	0.51	0.58	0.58	0.66	0.46	0.54	0.62	0.62	0.70	0.49	0.58	0.65	0.65	0.75
		PI	1.39	1.39	1.39	1.39	1.39	1.47	1.47	1.47	1.47	1.48	1.56	1.56	1.56	1.56	1.56	1.65	1.65	1.66	1.66	1.66
	59°F (15°C)	TC	30375	30416	30449	30450	30491	32206	32244	32276	32282	32321	34130	34174	34213	34219	34257	36187	36226	36265	36271	36316
		S/T	0.41	0.49	0.55	0.55	0.63	0.44	0.52	0.59	0.59	0.67	0.47	0.55	0.62	0.62	0.71	0.49	0.58	0.66	0.66	0.75
		PI	1.58	1.58	1.59	1.59	1.59	1.68	1.68	1.68	1.68	1.68	1.78	1.78	1.78	1.78	1.78	1.88	1.89	1.89	1.89	1.89
	68°F (20°C)	TC	30259	30300	30332	30334	30375	32083	32121	32152	32159	32197	33999	34044	34081	34088	34126	36048	36087	36126	36132	36177
		S/T	0.43	0.50	0.57	0.57	0.65	0.45	0.53	0.60	0.60	0.69	0.48	0.56	0.64	0.64	0.73	0.51	0.59	0.68	0.68	0.77
		PI	1.78	1.78	1.78	1.78	1.78	1.88	1.89	1.89	1.89	1.89	2.00	2.00	2.00	2.00	2.00	2.12	2.12	2.12	2.12	2.12
	77°F (25°C)	TC	30143	30183	30216	30217	30258	31959	31997	32029	32035	32073	33869	33913	33950	33957	33995	35909	35948	35987	35993	36038
		S/T	0.43	0.51	0.57	0.57	0.65	0.46	0.54	0.61	0.61	0.69	0.48	0.57	0.65	0.65	0.74	0.51	0.60	0.68	0.68	0.78
		PI	1.97	1.97	1.98	1.98	1.98	2.09	2.09	2.09	2.09	2.10	2.21	2.22	2.22	2.22	2.22	2.35	2.35	2.35	2.35	2.36
	82°F (27.8°C)	TC	30161	30202	30235	30236	30277	31979	32017	32049	32055	32093	33890	33934	33972	33978	34016	35932	35971	36010	36015	36060
		S/T	0.44	0.51	0.58	0.58	0.66	0.46	0.54	0.62	0.62	0.70	0.49	0.58	0.65	0.65	0.75	0.52	0.61	0.69	0.69	0.79
		PI	2.19	2.20	2.20	2.20	2.20	2.32	2.33	2.33	2.33	2.33	2.46	2.47	2.47	2.47	2.47	2.61	2.61	2.62	2.62	2.62
	86°F (30°C)	TC	30282	30323	30355	30357	30398	32107	32145	32177	32183	32221	34025	34069	34107	34113	34152	36075	36114	36154	36159	36204
		S/T	0.44	0.52	0.59	0.59	0.67	0.47	0.55	0.62	0.62	0.71	0.50	0.58	0.66	0.66	0.75	0.53	0.62	0.70	0.70	0.80
		PI	2.51	2.52	2.52	2.52	2.52	2.66	2.67	2.67	2.67	2.67	2.82	2.83	2.83	2.83	2.83	2.99	3.00	3.00	3.00	3.00
	95°F (35°C)	TC	30553	30594	30627	30628	30669	32394	32432	32464	32471	32509	34329	34374	34412	34419	34457	36398	36437	36477	36483	36528
		S/T	0.44	0.52	0.59	0.59	0.67	0.47	0.55	0.62	0.62	0.71	0.50	0.58	0.66	0.66	0.75	0.53	0.62	0.70	0.70	0.80
		PI	3.23	3.24	3.24	3.24	3.24	3.43	3.43	3.43	3.43	3.44	3.63	3.64	3.64	3.64	3.64	3.85	3.85	3.86	3.86	3.86
	104°F (40°C)	TC	28016	28053	28083	28085	28123	29704	29739	29768	29774	29810	31479	31519	31555	31560	31596	33375	33411	33448	33453	33495
		S/T	0.45	0.53	0.60	0.60	0.69	0.48	0.56	0.64	0.64	0.73	0.51	0.60	0.68	0.68	0.77	0.54	0.63	0.72	0.72	0.82
		PI	3.20	3.20	3.21	3.21	3.21	3.39	3.39	3.40	3.40	3.40	3.59	3.60	3.60	3.60	3.61	3.81	3.81	3.82	3.82	3.82
110°F (43°C)	TC	26493	26529	26557	26559	26594	28090	28123	28151	28156	28190	29768	29807	29840	29846	29879	31562	31596	31630	31635	31675	
	S/T	0.47	0.55	0.63	0.63	0.71	0.50	0.58	0.66	0.66	0.76	0.53	0.62	0.70	0.70	0.80	0.56	0.66	0.75	0.75	0.85	
	PI	3.18	3.18	3.19	3.19	3.19	3.37	3.37	3.38	3.38	3.38	3.57	3.58	3.58	3.58	3.58	3.79	3.79	3.79	3.79	3.80	
115°F (46°C)	TC	22651	22682	22706	22707	22738	24016	24045	24069	24073	24102	25451	25484	25513	25517	25546	26985	27014	27043	27048	27081	
	S/T	0.47	0.56	0.63	0.63	0.72	0.50	0.59	0.67	0.67	0.77	0.53	0.63	0.71	0.71	0.81	0.57	0.66	0.75	0.75	0.86	
	PI	2.85	2.86	2.86	2.86	2.86	3.02	3.03	3.03	3.03	3.04	3.20	3.21	3.21	3.21	3.22	3.40	3.40	3.41	3.41	3.41	
122°F (50°C)	TC	17529	17552	17571	17572	17596	18585	18607	18625	18629	18651	19695	19721	19743	19747	19769	20882	20905	20928	20931	20957	
	S/T	0.49	0.57	0.65	0.65	0.74	0.52	0.60	0.69	0.69	0.78	0.55	0.64	0.73	0.73	0.83	0.58	0.68	0.77	0.77	0.88	
	PI	2.42	2.42	2.42	2.42	2.43	2.56	2.57	2.57	2.57	2.57	2.72	2.72	2.72	2.72	2.73	2.88	2.88	2.89	2.89	2.89	

TC:Total Cooling Capacity (BTU/hr)

S/T:Sensible Cooling Capacity Ratio

PI:Power Input(kW)

6HWMS0-HH-SYS-B Expanded Cooling @ 235 CFM

CFM	OD DB (°F)	ID WB	60.8°F (16.0°C)					64.4°F (18.0°C)					67°F (19.4°C)					71.6°F (22.0°C)				
			ID DB					ID DB					ID DB					ID DB				
			73.4°F	77.0°F	80.0°F	80.6°F	84.2°F	73.4°F	77.0°F	80.0°F	80.6°F	84.2°F	73.4°F	77.0°F	80.0°F	80.6°F	84.2°F	73.4°F	77.0°F	80.0°F	80.6°F	84.2°F
235	50°F (10°C)	TC	30492	30533	30566	30567	30608	32329	32368	32400	32406	32445	34261	34305	34344	34350	34388	36325	36365	36404	36410	36455
		S/T	0.41	0.48	0.55	0.55	0.63	0.44	0.51	0.58	0.58	0.66	0.46	0.54	0.62	0.62	0.70	0.49	0.58	0.65	0.65	0.75
		PI	1.39	1.39	1.39	1.39	1.39	1.47	1.47	1.47	1.47	1.48	1.56	1.56	1.56	1.56	1.56	1.65	1.65	1.66	1.66	1.66
	59°F (15°C)	TC	30375	30416	30449	30450	30491	32206	32244	32276	32282	32321	34130	34174	34213	34219	34257	36187	36226	36265	36271	36316
		S/T	0.41	0.49	0.55	0.55	0.63	0.44	0.52	0.59	0.59	0.67	0.47	0.55	0.62	0.62	0.71	0.49	0.58	0.66	0.66	0.75
		PI	1.58	1.58	1.59	1.59	1.59	1.68	1.68	1.68	1.68	1.68	1.78	1.78	1.78	1.78	1.78	1.88	1.89	1.89	1.89	1.89
	68°F (20°C)	TC	30259	30300	30332	30334	30375	32083	32121	32152	32159	32197	33999	34044	34081	34088	34126	36048	36087	36126	36132	36177
		S/T	0.43	0.50	0.57	0.57	0.65	0.45	0.53	0.60	0.60	0.69	0.48	0.56	0.64	0.64	0.73	0.51	0.59	0.68	0.68	0.77
		PI	1.78	1.78	1.78	1.78	1.78	1.88	1.89	1.89	1.89	1.89	2.00	2.00	2.00	2.00	2.00	2.12	2.12	2.12	2.12	2.12
	77°F (25°C)	TC	30143	30183	30216	30217	30258	31959	31997	32029	32035	32073	33869	33913	33950	33957	33995	35909	35948	35987	35993	36038
		S/T	0.43	0.51	0.57	0.57	0.65	0.46	0.54	0.61	0.61	0.69	0.48	0.57	0.65	0.65	0.74	0.51	0.60	0.68	0.68	0.78
		PI	1.97	1.97	1.98	1.98	1.98	2.09	2.09	2.09	2.09	2.10	2.21	2.22	2.22	2.22	2.22	2.35	2.35	2.35	2.35	2.36
	82°F (27.8°C)	TC	30161	30202	30235	30236	30277	31979	32017	32049	32055	32093	33890	33934	33972	33978	34016	35932	35971	36010	36015	36060
		S/T	0.44	0.51	0.58	0.58	0.66	0.46	0.54	0.62	0.62	0.70	0.49	0.58	0.65	0.65	0.75	0.52	0.61	0.69	0.69	0.79
		PI	2.19	2.20	2.20	2.20	2.20	2.32	2.33	2.33	2.33	2.33	2.46	2.47	2.47	2.47	2.47	2.61	2.61	2.62	2.62	2.62
	86°F (30°C)	TC	30282	30323	30355	30357	30398	32107	32145	32177	32183	32221	34025	34069	34107	34113	34152	36075	36114	36154	36159	36204
		S/T	0.44	0.52	0.59	0.59	0.67	0.47	0.55	0.62	0.62	0.71	0.50	0.58	0.66	0.66	0.75	0.53	0.62	0.70	0.70	0.80
		PI	2.51	2.52	2.52	2.52	2.52	2.66	2.67	2.67	2.67	2.67	2.82	2.83	2.83	2.83	2.83	2.99	3.00	3.00	3.00	3.00
	95°F (35°C)	TC	30553	30594	30627	30628	30669	32394	32432	32464	32471	32509	34329	34374	34412	34419	34457	36398	36437	36477	36483	36528
		S/T	0.44	0.52	0.59	0.59	0.67	0.47	0.55	0.62	0.62	0.71	0.50	0.58	0.66	0.66	0.75	0.53	0.62	0.70	0.70	0.80
		PI	3.23	3.24	3.24	3.24	3.24	3.43	3.43	3.43	3.43	3.44	3.63	3.64	3.64	3.64	3.64	3.85	3.85	3.86	3.86	3.86
	104°F (40°C)	TC	28016	28053	28083	28085	28123	29704	29739	29768	29774	29810	31479	31519	31555	31560	31596	33375	33411	33448	33453	33495
		S/T	0.45	0.53	0.60	0.60	0.69	0.48	0.56	0.64	0.64	0.73	0.51	0.60	0.68	0.68	0.77	0.54	0.63	0.72	0.72	0.82
		PI	3.20	3.20	3.21	3.21	3.21	3.39	3.39	3.40	3.40	3.40	3.59	3.60	3.60	3.60	3.61	3.81	3.81	3.82	3.82	3.82
110°F (43°C)	TC	26493	26529	26557	26559	26594	28090	28123	28151	28156	28190	29768	29807	29840	29846	29879	31562	31596	31630	31635	31675	
	S/T	0.47	0.55	0.63	0.63	0.71	0.50	0.58	0.66	0.66	0.76	0.53	0.62	0.70	0.70	0.80	0.56	0.66	0.75	0.75	0.85	
	PI	3.18	3.18	3.19	3.19	3.19	3.37	3.37	3.38	3.38	3.38	3.57	3.58	3.58	3.58	3.58	3.79	3.79	3.79	3.79	3.80	
115°F (46°C)	TC	22651	22682	22706	22707	22738	24016	24045	24069	24073	24102	25451	25484	25513	25517	25546	26985	27014	27043	27048	27081	
	S/T	0.47	0.56	0.63	0.63	0.72	0.50	0.59	0.67	0.67	0.77	0.53	0.63	0.71	0.71	0.81	0.57	0.66	0.75	0.75	0.86	
	PI	2.85	2.86	2.86	2.86	2.86	3.02	3.03	3.03	3.03	3.04	3.20	3.21	3.21	3.21	3.22	3.40	3.40	3.41	3.41	3.41	
122°F (50°C)	TC	17529	17552	17571	17572	17596	18585	18607	18625	18629	18651	19695	19721	19743	19747	19769	20882	20905	20928	20931	20957	
	S/T	0.49	0.57	0.65	0.65	0.74	0.52	0.60	0.69	0.69	0.78	0.55	0.64	0.73	0.73	0.83	0.58	0.68	0.77	0.77	0.88	
	PI	2.42	2.42	2.42	2.42	2.43	2.56	2.57	2.57	2.57	2.57	2.72	2.72	2.72	2.72	2.73	2.88	2.88	2.89	2.89	2.89	

TC:Total Cooling Capacity (BTU/hr)

S/T:Sensible Cooling Capacity Ratio

PI:Power Input(kW)

6HWMS0-HH-SYS-B Expanded Cooling @ 294 CFM

CFM	OD DB (°F)	ID WB	60.8°F (16.0°C)					64.4°F (18.0°C)					67°F (19.4°C)					71.6°F (22.0°C)				
			ID DB					ID DB					ID DB					ID DB				
			73.4°F	77.0°F	80.0°F	80.6°F	84.2°F	73.4°F	77.0°F	80.0°F	80.6°F	84.2°F	73.4°F	77.0°F	80.0°F	80.6°F	84.2°F	73.4°F	77.0°F	80.0°F	80.6°F	84.2°F
294	50°F (10°C)	TC	30492	30533	30566	30567	30608	32329	32368	32400	32406	32445	34261	34305	34344	34350	34388	36325	36365	36404	36410	36455
		S/T	0.41	0.48	0.55	0.55	0.63	0.44	0.51	0.58	0.58	0.66	0.46	0.54	0.62	0.62	0.70	0.49	0.58	0.65	0.65	0.75
		PI	1.39	1.39	1.39	1.39	1.39	1.47	1.47	1.47	1.47	1.48	1.56	1.56	1.56	1.56	1.56	1.65	1.65	1.66	1.66	1.66
	59°F (15°C)	TC	30375	30416	30449	30450	30491	32206	32244	32276	32282	32321	34130	34174	34213	34219	34257	36187	36226	36265	36271	36316
		S/T	0.41	0.49	0.55	0.55	0.63	0.44	0.52	0.59	0.59	0.67	0.47	0.55	0.62	0.62	0.71	0.49	0.58	0.66	0.66	0.75
		PI	1.58	1.58	1.59	1.59	1.59	1.68	1.68	1.68	1.68	1.68	1.78	1.78	1.78	1.78	1.78	1.88	1.89	1.89	1.89	1.89
	68°F (20°C)	TC	30259	30300	30332	30334	30375	32083	32121	32152	32159	32197	33999	34044	34081	34088	34126	36048	36087	36126	36132	36177
		S/T	0.43	0.50	0.57	0.57	0.65	0.45	0.53	0.60	0.60	0.69	0.48	0.56	0.64	0.64	0.73	0.51	0.59	0.68	0.68	0.77
		PI	1.78	1.78	1.78	1.78	1.78	1.88	1.89	1.89	1.89	1.89	2.00	2.00	2.00	2.00	2.00	2.12	2.12	2.12	2.12	2.12
	77°F (25°C)	TC	30143	30183	30216	30217	30258	31959	31997	32029	32035	32073	33869	33913	33950	33957	33995	35909	35948	35987	35993	36038
		S/T	0.43	0.51	0.57	0.57	0.65	0.46	0.54	0.61	0.61	0.69	0.48	0.57	0.65	0.65	0.74	0.51	0.60	0.68	0.68	0.78
		PI	1.97	1.97	1.98	1.98	1.98	2.09	2.09	2.09	2.09	2.10	2.21	2.22	2.22	2.22	2.22	2.35	2.35	2.35	2.35	2.36
	82°F (27.8°C)	TC	30161	30202	30235	30236	30277	31979	32017	32049	32055	32093	33890	33934	33972	33978	34016	35932	35971	36010	36015	36060
		S/T	0.44	0.51	0.58	0.58	0.66	0.46	0.54	0.62	0.62	0.70	0.49	0.58	0.65	0.65	0.75	0.52	0.61	0.69	0.69	0.79
		PI	2.19	2.20	2.20	2.20	2.20	2.32	2.33	2.33	2.33	2.33	2.46	2.47	2.47	2.47	2.47	2.61	2.61	2.62	2.62	2.62
	86°F (30°C)	TC	30282	30323	30355	30357	30398	32107	32145	32177	32183	32221	34025	34069	34107	34113	34152	36075	36114	36154	36159	36204
		S/T	0.44	0.52	0.59	0.59	0.67	0.47	0.55	0.62	0.62	0.71	0.50	0.58	0.66	0.66	0.75	0.53	0.62	0.70	0.70	0.80
		PI	2.51	2.52	2.52	2.52	2.52	2.66	2.67	2.67	2.67	2.67	2.82	2.83	2.83	2.83	2.83	2.99	3.00	3.00	3.00	3.00
	95°F (35°C)	TC	30553	30594	30627	30628	30669	32394	32432	32464	32471	32509	34329	34374	34412	34419	34457	36398	36437	36477	36483	36528
		S/T	0.44	0.52	0.59	0.59	0.67	0.47	0.55	0.62	0.62	0.71	0.50	0.58	0.66	0.66	0.75	0.53	0.62	0.70	0.70	0.80
		PI	3.23	3.24	3.24	3.24	3.24	3.43	3.43	3.43	3.43	3.44	3.63	3.64	3.64	3.64	3.64	3.85	3.85	3.86	3.86	3.86
	104°F (40°C)	TC	28016	28053	28083	28085	28123	29704	29739	29768	29774	29810	31479	31519	31555	31560	31596	33375	33411	33448	33453	33495
		S/T	0.45	0.53	0.60	0.60	0.69	0.48	0.56	0.64	0.64	0.73	0.51	0.60	0.68	0.68	0.77	0.54	0.63	0.72	0.72	0.82
		PI	3.20	3.20	3.21	3.21	3.21	3.39	3.39	3.40	3.40	3.40	3.59	3.60	3.60	3.60	3.61	3.81	3.81	3.82	3.82	3.82
110°F (43°C)	TC	26493	26529	26557	26559	26594	28090	28123	28151	28156	28190	29768	29807	29840	29846	29879	31562	31596	31630	31635	31675	
	S/T	0.47	0.55	0.63	0.63	0.71	0.50	0.58	0.66	0.66	0.76	0.53	0.62	0.70	0.70	0.80	0.56	0.66	0.75	0.75	0.85	
	PI	3.18	3.18	3.19	3.19	3.19	3.37	3.37	3.38	3.38	3.38	3.57	3.58	3.58	3.58	3.58	3.79	3.79	3.79	3.79	3.80	
115°F (46°C)	TC	22651	22682	22706	22707	22738	24016	24045	24069	24073	24102	25451	25484	25513	25517	25546	26985	27014	27043	27048	27081	
	S/T	0.47	0.56	0.63	0.63	0.72	0.50	0.59	0.67	0.67	0.77	0.53	0.63	0.71	0.71	0.81	0.57	0.66	0.75	0.75	0.86	
	PI	2.85	2.86	2.86	2.86	2.86	3.02	3.03	3.03	3.03	3.04	3.20	3.21	3.21	3.21	3.22	3.40	3.40	3.41	3.41	3.41	
122°F (50°C)	TC	17529	17552	17571	17572	17596	18585	18607	18625	18629	18651	19695	19721	19743	19747	19769	20882	20905	20928	20931	20957	
	S/T	0.49	0.57	0.65	0.65	0.74	0.52	0.60	0.69	0.69	0.78	0.55	0.64	0.73	0.73	0.83	0.58	0.68	0.77	0.77	0.88	
	PI	2.42	2.42	2.42	2.42	2.43	2.56	2.57	2.57	2.57	2.57	2.72	2.72	2.72	2.72	2.73	2.88	2.88	2.89	2.89	2.89	

TC:Total Cooling Capacity (BTU/hr)

S/T:Sensible Cooling Capacity Ratio

PI:Power Input(kW)

6HWMS0-HH-SYS-B Expanded Heating @ 141 CFM

CFM	HEATING PERFORMANCE AT INDOOR DRY BULB TEMPERATURE										
	OD DB (°F)	TC : Total Heating Capacity(BTU/hr)					PI : Power Input(kW)				
		Indoor Conditions (DB °F)					Indoor Conditions (DB °F)				
		60.8°F	68°F	70°F	71.6°F	75.2°F	60.8°F	68°F	70°F	71.6°F	75.2°F
141	-22°F	19064	18683	18589	18515	18348	3.82	3.85	3.86	3.86	3.88
	-13°F	25126	24624	24501	24403	24183	4.19	4.23	4.23	4.24	4.26
	-4°F	30034	29433	29286	29169	28906	4.53	4.57	4.58	4.59	4.61
	0°F	31745	31110	30954	30831	30553	4.60	4.63	4.64	4.65	4.67
	5°F	33884	33206	33040	32908	32612	4.68	4.71	4.72	4.73	4.75
	14°F	33008	32348	32186	32057	31769	4.25	4.29	4.30	4.30	4.32
	17°F	32716	32061	31901	31774	31488	4.11	4.14	4.15	4.16	4.18
	22°F	32555	31904	31745	31618	31333	3.89	3.93	3.93	3.94	3.96
	27°F	32394	31747	31588	31461	31178	3.68	3.71	3.72	3.72	3.74
	32°F	32234	31589	31431	31305	31024	3.46	3.49	3.50	3.50	3.52
	35°F	32137	31495	31337	31212	30931	3.33	3.36	3.37	3.37	3.39
	37°F	33645	32972	32807	32676	32382	3.32	3.34	3.35	3.36	3.37
	42°F	37413	36665	36481	36335	36008	3.28	3.31	3.31	3.32	3.33
	44.6°F	38920	38142	37951	37799	37459	3.27	3.29	3.30	3.31	3.32
	47°F	41181	40358	40156	39995	39635	3.24	3.27	3.28	3.28	3.30
	52°F	38704	37930	37740	37589	37251	2.85	2.87	2.87	2.88	2.89
	57°F	36227	35503	35325	35184	34867	2.45	2.47	2.47	2.48	2.49
	59°F	35236	34532	34359	34221	33913	2.29	2.31	2.31	2.31	2.32
62°F	33750	33075	32910	32778	32483	2.05	2.06	2.07	2.07	2.08	
64.4°F	32759	32104	31943	31816	31529	1.89	1.90	1.91	1.91	1.92	

6HWMS0-HH-SYS-B Expanded Heating @ 176 CFM

CFM	HEATING PERFORMANCE AT INDOOR DRY BULB TEMPERATURE										
	OD DB (°F)	TC : Total Heating Capacity(BTU/hr)					PI : Power Input(kW)				
		Indoor Conditions (DB °F)					Indoor Conditions (DB °F)				
		60.8°F	68°F	70°F	71.6°F	75.2°F	60.8°F	68°F	70°F	71.6°F	75.2°F
176	-22°F	19064	18683	18589	18515	18348	3.82	3.85	3.86	3.86	3.88
	-13°F	25126	24624	24501	24403	24183	4.19	4.23	4.23	4.24	4.26
	-4°F	30034	29433	29286	29169	28906	4.53	4.57	4.58	4.59	4.61
	0°F	31745	31110	30954	30831	30553	4.60	4.63	4.64	4.65	4.67
	5°F	33884	33206	33040	32908	32612	4.68	4.71	4.72	4.73	4.75
	14°F	33008	32348	32186	32057	31769	4.25	4.29	4.30	4.30	4.32
	17°F	32716	32061	31901	31774	31488	4.11	4.14	4.15	4.16	4.18
	22°F	32555	31904	31745	31618	31333	3.89	3.93	3.93	3.94	3.96
	27°F	32394	31747	31588	31461	31178	3.68	3.71	3.72	3.72	3.74
	32°F	32234	31589	31431	31305	31024	3.46	3.49	3.50	3.50	3.52
	35°F	32137	31495	31337	31212	30931	3.33	3.36	3.37	3.37	3.39
	37°F	33645	32972	32807	32676	32382	3.32	3.34	3.35	3.36	3.37
	42°F	37413	36665	36481	36335	36008	3.28	3.31	3.31	3.32	3.33
	44.6°F	38920	38142	37951	37799	37459	3.27	3.29	3.30	3.31	3.32
	47°F	41181	40358	40156	39995	39635	3.24	3.27	3.28	3.28	3.30
	52°F	38704	37930	37740	37589	37251	2.85	2.87	2.87	2.88	2.89
	57°F	36227	35503	35325	35184	34867	2.45	2.47	2.47	2.48	2.49
59°F	35236	34532	34359	34221	33913	2.29	2.31	2.31	2.31	2.32	
62°F	33750	33075	32910	32778	32483	2.05	2.06	2.07	2.07	2.08	
64.4°F	32759	32104	31943	31816	31529	1.89	1.90	1.91	1.91	1.92	

6HWMS0-HH-SYS-B Expanded Heating @ 235 CFM

CFM	HEATING PERFORMANCE AT INDOOR DRY BULB TEMPERATURE										
	OD DB (°F)	TC : Total Heating Capacity(BTU/hr)					PI : Power Input(kW)				
		Indoor Conditions (DB °F)					Indoor Conditions (DB °F)				
		60.8°F	68°F	70°F	71.6°F	75.2°F	60.8°F	68°F	70°F	71.6°F	75.2°F
235	-22°F	19064	18683	18589	18515	18348	3.82	3.85	3.86	3.86	3.88
	-13°F	25126	24624	24501	24403	24183	4.19	4.23	4.23	4.24	4.26
	-4°F	30034	29433	29286	29169	28906	4.53	4.57	4.58	4.59	4.61
	0°F	31745	31110	30954	30831	30553	4.60	4.63	4.64	4.65	4.67
	5°F	33884	33206	33040	32908	32612	4.68	4.71	4.72	4.73	4.75
	14°F	33008	32348	32186	32057	31769	4.25	4.29	4.30	4.30	4.32
	17°F	32716	32061	31901	31774	31488	4.11	4.14	4.15	4.16	4.18
	22°F	32555	31904	31745	31618	31333	3.89	3.93	3.93	3.94	3.96
	27°F	32394	31747	31588	31461	31178	3.68	3.71	3.72	3.72	3.74
	32°F	32234	31589	31431	31305	31024	3.46	3.49	3.50	3.50	3.52
	35°F	32137	31495	31337	31212	30931	3.33	3.36	3.37	3.37	3.39
	37°F	33645	32972	32807	32676	32382	3.32	3.34	3.35	3.36	3.37
	42°F	37413	36665	36481	36335	36008	3.28	3.31	3.31	3.32	3.33
	44.6°F	38920	38142	37951	37799	37459	3.27	3.29	3.30	3.31	3.32
	47°F	41181	40358	40156	39995	39635	3.24	3.27	3.28	3.28	3.30
	52°F	38704	37930	37740	37589	37251	2.85	2.87	2.87	2.88	2.89
	57°F	36227	35503	35325	35184	34867	2.45	2.47	2.47	2.48	2.49
	59°F	35236	34532	34359	34221	33913	2.29	2.31	2.31	2.31	2.32
62°F	33750	33075	32910	32778	32483	2.05	2.06	2.07	2.07	2.08	
64.4°F	32759	32104	31943	31816	31529	1.89	1.90	1.91	1.91	1.92	

6HWMS0-HH-SYS-B Expanded Heating @ 294 CFM

CFM	HEATING PERFORMANCE AT INDOOR DRY BULB TEMPERATURE										
	OD DB (°F)	TC : Total Heating Capacity(BTU/hr)					PI : Power Input(kW)				
		Indoor Conditions (DB °F)					Indoor Conditions (DB °F)				
		60.8°F	68°F	70°F	71.6°F	75.2°F	60.8°F	68°F	70°F	71.6°F	75.2°F
294	-22°F	19064	18683	18589	18515	18348	3.82	3.85	3.86	3.86	3.88
	-13°F	25126	24624	24501	24403	24183	4.19	4.23	4.23	4.24	4.26
	-4°F	30034	29433	29286	29169	28906	4.53	4.57	4.58	4.59	4.61
	0°F	31745	31110	30954	30831	30553	4.60	4.63	4.64	4.65	4.67
	5°F	33884	33206	33040	32908	32612	4.68	4.71	4.72	4.73	4.75
	14°F	33008	32348	32186	32057	31769	4.25	4.29	4.30	4.30	4.32
	17°F	32716	32061	31901	31774	31488	4.11	4.14	4.15	4.16	4.18
	22°F	32555	31904	31745	31618	31333	3.89	3.93	3.93	3.94	3.96
	27°F	32394	31747	31588	31461	31178	3.68	3.71	3.72	3.72	3.74
	32°F	32234	31589	31431	31305	31024	3.46	3.49	3.50	3.50	3.52
	35°F	32137	31495	31337	31212	30931	3.33	3.36	3.37	3.37	3.39
	37°F	33645	32972	32807	32676	32382	3.32	3.34	3.35	3.36	3.37
	42°F	37413	36665	36481	36335	36008	3.28	3.31	3.31	3.32	3.33
	44.6°F	38920	38142	37951	37799	37459	3.27	3.29	3.30	3.31	3.32
	47°F	41181	40358	40156	39995	39635	3.24	3.27	3.28	3.28	3.30
	52°F	38704	37930	37740	37589	37251	2.85	2.87	2.87	2.88	2.89
	57°F	36227	35503	35325	35184	34867	2.45	2.47	2.47	2.48	2.49
59°F	35236	34532	34359	34221	33913	2.29	2.31	2.31	2.31	2.32	
62°F	33750	33075	32910	32778	32483	2.05	2.06	2.07	2.07	2.08	
64.4°F	32759	32104	31943	31816	31529	1.89	1.90	1.91	1.91	1.92	

9HWMS0-HH-SYS-B Expanded Cooling @ 141 CFM

CFM	OD DB (°F)	ID WB	60.8°F (16.0°C)					64.4°F (18.0°C)					67°F (19.4°C)					71.6°F (22.0°C)				
			ID DB					ID DB					ID DB					ID DB				
			73.4°F	77.0°F	80.0°F	80.6°F	84.2°F	73.4°F	77.0°F	80.0°F	80.6°F	84.2°F	73.4°F	77.0°F	80.0°F	80.6°F	84.2°F	73.4°F	77.0°F	80.0°F	80.6°F	84.2°F
23.0°C	25.0°C	26.7°C	27.0°C	29.0°C	23.0°C	25.0°C	26.7°C	27.0°C	29.0°C	23.0°C	25.0°C	26.7°C	27.0°C	29.0°C	23.0°C	25.0°C	26.7°C	27.0°C	29.0°C			
141	50°F (10°C)	TC	30492	30533	30566	30567	30608	32329	32368	32400	32406	32445	34261	34305	34344	34350	34388	36325	36365	36404	36410	36455
		S/T	0.41	0.48	0.55	0.55	0.63	0.44	0.51	0.58	0.58	0.66	0.46	0.54	0.62	0.62	0.70	0.49	0.58	0.65	0.65	0.75
		PI	1.39	1.39	1.39	1.39	1.39	1.47	1.47	1.47	1.47	1.48	1.56	1.56	1.56	1.56	1.56	1.65	1.65	1.66	1.66	1.66
	59°F (15°C)	TC	30375	30416	30449	30450	30491	32206	32244	32276	32282	32321	34130	34174	34213	34219	34257	36187	36226	36265	36271	36316
		S/T	0.41	0.49	0.55	0.55	0.63	0.44	0.52	0.59	0.59	0.67	0.47	0.55	0.62	0.62	0.71	0.49	0.58	0.66	0.66	0.75
		PI	1.58	1.58	1.59	1.59	1.59	1.68	1.68	1.68	1.68	1.68	1.78	1.78	1.78	1.78	1.78	1.88	1.89	1.89	1.89	1.89
	68°F (20°C)	TC	30259	30300	30332	30334	30375	32083	32121	32152	32159	32197	33999	34044	34081	34088	34126	36048	36087	36126	36132	36177
		S/T	0.43	0.50	0.57	0.57	0.65	0.45	0.53	0.60	0.60	0.69	0.48	0.56	0.64	0.64	0.73	0.51	0.59	0.68	0.68	0.77
		PI	1.78	1.78	1.78	1.78	1.78	1.88	1.89	1.89	1.89	1.89	2.00	2.00	2.00	2.00	2.00	2.12	2.12	2.12	2.12	2.12
	77°F (25°C)	TC	30143	30183	30216	30217	30258	31959	31997	32029	32035	32073	33869	33913	33950	33957	33995	35909	35948	35987	35993	36038
		S/T	0.43	0.51	0.57	0.57	0.65	0.46	0.54	0.61	0.61	0.69	0.48	0.57	0.65	0.65	0.74	0.51	0.60	0.68	0.68	0.78
		PI	1.97	1.97	1.98	1.98	1.98	2.09	2.09	2.09	2.09	2.10	2.21	2.22	2.22	2.22	2.22	2.35	2.35	2.35	2.35	2.36
	82°F (27.8°C)	TC	30161	30202	30235	30236	30277	31979	32017	32049	32055	32093	33890	33934	33972	33978	34016	35932	35971	36010	36015	36060
		S/T	0.44	0.51	0.58	0.58	0.66	0.46	0.54	0.62	0.62	0.70	0.49	0.58	0.65	0.65	0.75	0.52	0.61	0.69	0.69	0.79
		PI	2.19	2.20	2.20	2.20	2.20	2.32	2.33	2.33	2.33	2.33	2.46	2.47	2.47	2.47	2.47	2.61	2.61	2.62	2.62	2.62
	86°F (30°C)	TC	30282	30323	30355	30357	30398	32107	32145	32177	32183	32221	34025	34069	34107	34113	34152	36075	36114	36154	36159	36204
		S/T	0.44	0.52	0.59	0.59	0.67	0.47	0.55	0.62	0.62	0.71	0.50	0.58	0.66	0.66	0.75	0.53	0.62	0.70	0.70	0.80
		PI	2.51	2.52	2.52	2.52	2.52	2.66	2.67	2.67	2.67	2.67	2.82	2.83	2.83	2.83	2.83	2.99	3.00	3.00	3.00	3.00
	95°F (35°C)	TC	30553	30594	30627	30628	30669	32394	32432	32464	32471	32509	34329	34374	34412	34419	34457	36398	36437	36477	36483	36528
		S/T	0.44	0.52	0.59	0.59	0.67	0.47	0.55	0.62	0.62	0.71	0.50	0.58	0.66	0.66	0.75	0.53	0.62	0.70	0.70	0.80
		PI	3.23	3.24	3.24	3.24	3.24	3.43	3.43	3.43	3.43	3.44	3.63	3.64	3.64	3.64	3.64	3.85	3.85	3.86	3.86	3.86
	104°F (40°C)	TC	28016	28053	28083	28085	28123	29704	29739	29768	29774	29810	31479	31519	31555	31560	31596	33375	33411	33448	33453	33495
		S/T	0.45	0.53	0.60	0.60	0.69	0.48	0.56	0.64	0.64	0.73	0.51	0.60	0.68	0.68	0.77	0.54	0.63	0.72	0.72	0.82
		PI	3.20	3.20	3.21	3.21	3.21	3.39	3.39	3.40	3.40	3.40	3.59	3.60	3.60	3.60	3.61	3.81	3.81	3.82	3.82	3.82
110°F (43°C)	TC	26493	26529	26557	26559	26594	28090	28123	28151	28156	28190	29768	29807	29840	29846	29879	31562	31596	31630	31635	31675	
	S/T	0.47	0.55	0.63	0.63	0.71	0.50	0.58	0.66	0.66	0.76	0.53	0.62	0.70	0.70	0.80	0.56	0.66	0.75	0.75	0.85	
	PI	3.18	3.18	3.19	3.19	3.19	3.37	3.37	3.38	3.38	3.38	3.57	3.58	3.58	3.58	3.58	3.79	3.79	3.79	3.79	3.80	
115°F (46°C)	TC	22651	22682	22706	22707	22738	24016	24045	24069	24073	24102	25451	25484	25513	25517	25546	26985	27014	27043	27048	27081	
	S/T	0.47	0.56	0.63	0.63	0.72	0.50	0.59	0.67	0.67	0.77	0.53	0.63	0.71	0.71	0.81	0.57	0.66	0.75	0.75	0.86	
	PI	2.85	2.86	2.86	2.86	2.86	3.02	3.03	3.03	3.03	3.04	3.20	3.21	3.21	3.21	3.22	3.40	3.40	3.41	3.41	3.41	
122°F (50°C)	TC	17529	17552	17571	17572	17596	18585	18607	18625	18629	18651	19695	19721	19743	19747	19769	20882	20905	20928	20931	20957	
	S/T	0.49	0.57	0.65	0.65	0.74	0.52	0.60	0.69	0.69	0.78	0.55	0.64	0.73	0.73	0.83	0.58	0.68	0.77	0.77	0.88	
	PI	2.42	2.42	2.42	2.42	2.43	2.56	2.57	2.57	2.57	2.57	2.72	2.72	2.72	2.72	2.73	2.88	2.88	2.89	2.89	2.89	

TC:Total Cooling Capacity (BTU/hr)

S/T:Sensible Cooling Capacity Ratio

PI:Power Input(kW)

9HWMS0-HH-SYS-B Expanded Cooling @ 178 CFM

CFM	OD DB (°F)	ID WB	60.8°F (16.0°C)					64.4°F (18.0°C)					67°F (19.4°C)					71.6°F (22.0°C)				
			ID DB					ID DB					ID DB					ID DB				
			73.4°F	77.0°F	80.0°F	80.6°F	84.2°F	73.4°F	77.0°F	80.0°F	80.6°F	84.2°F	73.4°F	77.0°F	80.0°F	80.6°F	84.2°F	73.4°F	77.0°F	80.0°F	80.6°F	84.2°F
23.0°C	25.0°C	26.7°C	27.0°C	29.0°C	23.0°C	25.0°C	26.7°C	27.0°C	29.0°C	23.0°C	25.0°C	26.7°C	27.0°C	29.0°C	23.0°C	25.0°C	26.7°C	27.0°C	29.0°C			
178	50°F (10°C)	TC	30492	30533	30566	30567	30608	32329	32368	32400	32406	32445	34261	34305	34344	34350	34388	36325	36365	36404	36410	36455
		S/T	0.41	0.48	0.55	0.55	0.63	0.44	0.51	0.58	0.58	0.66	0.46	0.54	0.62	0.62	0.70	0.49	0.58	0.65	0.65	0.75
		PI	1.39	1.39	1.39	1.39	1.39	1.47	1.47	1.47	1.47	1.48	1.56	1.56	1.56	1.56	1.56	1.65	1.65	1.66	1.66	1.66
	59°F (15°C)	TC	30375	30416	30449	30450	30491	32206	32244	32276	32282	32321	34130	34174	34213	34219	34257	36187	36226	36265	36271	36316
		S/T	0.41	0.49	0.55	0.55	0.63	0.44	0.52	0.59	0.59	0.67	0.47	0.55	0.62	0.62	0.71	0.49	0.58	0.66	0.66	0.75
		PI	1.58	1.58	1.59	1.59	1.59	1.68	1.68	1.68	1.68	1.68	1.78	1.78	1.78	1.78	1.78	1.88	1.89	1.89	1.89	1.89
	68°F (20°C)	TC	30259	30300	30332	30334	30375	32083	32121	32152	32159	32197	33999	34044	34081	34088	34126	36048	36087	36126	36132	36177
		S/T	0.43	0.50	0.57	0.57	0.65	0.45	0.53	0.60	0.60	0.69	0.48	0.56	0.64	0.64	0.73	0.51	0.59	0.68	0.68	0.77
		PI	1.78	1.78	1.78	1.78	1.78	1.88	1.89	1.89	1.89	1.89	2.00	2.00	2.00	2.00	2.00	2.12	2.12	2.12	2.12	2.12
	77°F (25°C)	TC	30143	30183	30216	30217	30258	31959	31997	32029	32035	32073	33869	33913	33950	33957	33995	35909	35948	35987	35993	36038
		S/T	0.43	0.51	0.57	0.57	0.65	0.46	0.54	0.61	0.61	0.69	0.48	0.57	0.65	0.65	0.74	0.51	0.60	0.68	0.68	0.78
		PI	1.97	1.97	1.98	1.98	1.98	2.09	2.09	2.09	2.09	2.10	2.21	2.22	2.22	2.22	2.22	2.35	2.35	2.35	2.35	2.36
	82°F (27.8°C)	TC	30161	30202	30235	30236	30277	31979	32017	32049	32055	32093	33890	33934	33972	33978	34016	35932	35971	36010	36015	36060
		S/T	0.44	0.51	0.58	0.58	0.66	0.46	0.54	0.62	0.62	0.70	0.49	0.58	0.65	0.65	0.75	0.52	0.61	0.69	0.69	0.79
		PI	2.19	2.20	2.20	2.20	2.20	2.32	2.33	2.33	2.33	2.33	2.46	2.47	2.47	2.47	2.47	2.61	2.61	2.62	2.62	2.62
	86°F (30°C)	TC	30282	30323	30355	30357	30398	32107	32145	32177	32183	32221	34025	34069	34107	34113	34152	36075	36114	36154	36159	36204
		S/T	0.44	0.52	0.59	0.59	0.67	0.47	0.55	0.62	0.62	0.71	0.50	0.58	0.66	0.66	0.75	0.53	0.62	0.70	0.70	0.80
		PI	2.51	2.52	2.52	2.52	2.52	2.66	2.67	2.67	2.67	2.67	2.82	2.83	2.83	2.83	2.83	2.99	3.00	3.00	3.00	3.00
	95°F (35°C)	TC	30553	30594	30627	30628	30669	32394	32432	32464	32471	32509	34329	34374	34412	34419	34457	36398	36437	36477	36483	36528
		S/T	0.44	0.52	0.59	0.59	0.67	0.47	0.55	0.62	0.62	0.71	0.50	0.58	0.66	0.66	0.75	0.53	0.62	0.70	0.70	0.80
		PI	3.23	3.24	3.24	3.24	3.24	3.43	3.43	3.43	3.43	3.44	3.63	3.64	3.64	3.64	3.64	3.85	3.85	3.86	3.86	3.86
	104°F (40°C)	TC	28016	28053	28083	28085	28123	29704	29739	29768	29774	29810	31479	31519	31555	31560	31596	33375	33411	33448	33453	33495
		S/T	0.45	0.53	0.60	0.60	0.69	0.48	0.56	0.64	0.64	0.73	0.51	0.60	0.68	0.68	0.77	0.54	0.63	0.72	0.72	0.82
		PI	3.20	3.20	3.21	3.21	3.21	3.39	3.39	3.40	3.40	3.40	3.59	3.60	3.60	3.60	3.61	3.81	3.81	3.82	3.82	3.82
110°F (43°C)	TC	26493	26529	26557	26559	26594	28090	28123	28151	28156	28190	29768	29807	29840	29846	29879	31562	31596	31630	31635	31675	
	S/T	0.47	0.55	0.63	0.63	0.71	0.50	0.58	0.66	0.66	0.76	0.53	0.62	0.70	0.70	0.80	0.56	0.66	0.75	0.75	0.85	
	PI	3.18	3.18	3.19	3.19	3.19	3.37	3.37	3.38	3.38	3.38	3.57	3.58	3.58	3.58	3.58	3.79	3.79	3.79	3.79	3.80	
115°F (46°C)	TC	22651	22682	22706	22707	22738	24016	24045	24069	24073	24102	25451	25484	25513	25517	25546	26985	27014	27043	27048	27081	
	S/T	0.47	0.56	0.63	0.63	0.72	0.50	0.59	0.67	0.67	0.77	0.53	0.63	0.71	0.71	0.81	0.57	0.66	0.75	0.75	0.86	
	PI	2.85	2.86	2.86	2.86	2.86	3.02	3.03	3.03	3.03	3.04	3.20	3.21	3.21	3.21	3.22	3.40	3.40	3.41	3.41	3.41	
122°F (50°C)	TC	17529	17552	17571	17572	17596	18585	18607	18625	18629	18651	19695	19721	19743	19747	19769	20882	20905	20928	20931	20957	
	S/T	0.49	0.57	0.65	0.65	0.74	0.52	0.60	0.69	0.69	0.78	0.55	0.64	0.73	0.73	0.83	0.58	0.68	0.77	0.77	0.88	
	PI	2.42	2.42	2.42	2.42	2.43	2.56	2.57	2.57	2.57	2.57	2.72	2.72	2.72	2.72	2.73	2.88	2.88	2.89	2.89	2.89	

TC:Total Cooling Capacity (BTU/hr)

S/T:Sensible Cooling Capacity Ratio

PI:Power Input(kW)

9HWMS0-HH-SYS-B Expanded Cooling @ 235 CFM

CFM	OD DB (°F)	ID WB	60.8°F (16.0°C)					64.4°F (18.0°C)					67°F (19.4°C)					71.6°F (22.0°C)				
			ID DB					ID DB					ID DB					ID DB				
			73.4°F	77.0°F	80.0°F	80.6°F	84.2°F	73.4°F	77.0°F	80.0°F	80.6°F	84.2°F	73.4°F	77.0°F	80.0°F	80.6°F	84.2°F	73.4°F	77.0°F	80.0°F	80.6°F	84.2°F
235	50°F (10°C)	TC	30492	30533	30566	30567	30608	32329	32368	32400	32406	32445	34261	34305	34344	34350	34388	36325	36365	36404	36410	36455
		S/T	0.41	0.48	0.55	0.55	0.63	0.44	0.51	0.58	0.58	0.66	0.46	0.54	0.62	0.62	0.70	0.49	0.58	0.65	0.65	0.75
		PI	1.39	1.39	1.39	1.39	1.39	1.47	1.47	1.47	1.47	1.48	1.56	1.56	1.56	1.56	1.56	1.65	1.65	1.66	1.66	1.66
	59°F (15°C)	TC	30375	30416	30449	30450	30491	32206	32244	32276	32282	32321	34130	34174	34213	34219	34257	36187	36226	36265	36271	36316
		S/T	0.41	0.49	0.55	0.55	0.63	0.44	0.52	0.59	0.59	0.67	0.47	0.55	0.62	0.62	0.71	0.49	0.58	0.66	0.66	0.75
		PI	1.58	1.58	1.59	1.59	1.59	1.68	1.68	1.68	1.68	1.68	1.78	1.78	1.78	1.78	1.78	1.88	1.89	1.89	1.89	1.89
	68°F (20°C)	TC	30259	30300	30332	30334	30375	32083	32121	32152	32159	32197	33999	34044	34081	34088	34126	36048	36087	36126	36132	36177
		S/T	0.43	0.50	0.57	0.57	0.65	0.45	0.53	0.60	0.60	0.69	0.48	0.56	0.64	0.64	0.73	0.51	0.59	0.68	0.68	0.77
		PI	1.78	1.78	1.78	1.78	1.78	1.88	1.89	1.89	1.89	1.89	2.00	2.00	2.00	2.00	2.00	2.12	2.12	2.12	2.12	2.12
	77°F (25°C)	TC	30143	30183	30216	30217	30258	31959	31997	32029	32035	32073	33869	33913	33950	33957	33995	35909	35948	35987	35993	36038
		S/T	0.43	0.51	0.57	0.57	0.65	0.46	0.54	0.61	0.61	0.69	0.48	0.57	0.65	0.65	0.74	0.51	0.60	0.68	0.68	0.78
		PI	1.97	1.97	1.98	1.98	1.98	2.09	2.09	2.09	2.09	2.10	2.21	2.22	2.22	2.22	2.22	2.35	2.35	2.35	2.35	2.36
	82°F (27.8°C)	TC	30161	30202	30235	30236	30277	31979	32017	32049	32055	32093	33890	33934	33972	33978	34016	35932	35971	36010	36015	36060
		S/T	0.44	0.51	0.58	0.58	0.66	0.46	0.54	0.62	0.62	0.70	0.49	0.58	0.65	0.65	0.75	0.52	0.61	0.69	0.69	0.79
		PI	2.19	2.20	2.20	2.20	2.20	2.32	2.33	2.33	2.33	2.33	2.46	2.47	2.47	2.47	2.47	2.61	2.61	2.62	2.62	2.62
	86°F (30°C)	TC	30282	30323	30355	30357	30398	32107	32145	32177	32183	32221	34025	34069	34107	34113	34152	36075	36114	36154	36159	36204
		S/T	0.44	0.52	0.59	0.59	0.67	0.47	0.55	0.62	0.62	0.71	0.50	0.58	0.66	0.66	0.75	0.53	0.62	0.70	0.70	0.80
		PI	2.51	2.52	2.52	2.52	2.52	2.66	2.67	2.67	2.67	2.67	2.82	2.83	2.83	2.83	2.83	2.99	3.00	3.00	3.00	3.00
	95°F (35°C)	TC	30553	30594	30627	30628	30669	32394	32432	32464	32471	32509	34329	34374	34412	34419	34457	36398	36437	36477	36483	36528
		S/T	0.44	0.52	0.59	0.59	0.67	0.47	0.55	0.62	0.62	0.71	0.50	0.58	0.66	0.66	0.75	0.53	0.62	0.70	0.70	0.80
		PI	3.23	3.24	3.24	3.24	3.24	3.43	3.43	3.43	3.43	3.44	3.63	3.64	3.64	3.64	3.64	3.85	3.85	3.86	3.86	3.86
	104°F (40°C)	TC	28016	28053	28083	28085	28123	29704	29739	29768	29774	29810	31479	31519	31555	31560	31596	33375	33411	33448	33453	33495
		S/T	0.45	0.53	0.60	0.60	0.69	0.48	0.56	0.64	0.64	0.73	0.51	0.60	0.68	0.68	0.77	0.54	0.63	0.72	0.72	0.82
		PI	3.20	3.20	3.21	3.21	3.21	3.39	3.39	3.40	3.40	3.40	3.59	3.60	3.60	3.60	3.61	3.81	3.81	3.82	3.82	3.82
110°F (43°C)	TC	26493	26529	26557	26559	26594	28090	28123	28151	28156	28190	29768	29807	29840	29846	29879	31562	31596	31630	31635	31675	
	S/T	0.47	0.55	0.63	0.63	0.71	0.50	0.58	0.66	0.66	0.76	0.53	0.62	0.70	0.70	0.80	0.56	0.66	0.75	0.75	0.85	
	PI	3.18	3.18	3.19	3.19	3.19	3.37	3.37	3.38	3.38	3.38	3.57	3.58	3.58	3.58	3.58	3.79	3.79	3.79	3.79	3.80	
115°F (46°C)	TC	22651	22682	22706	22707	22738	24016	24045	24069	24073	24102	25451	25484	25513	25517	25546	26985	27014	27043	27048	27081	
	S/T	0.47	0.56	0.63	0.63	0.72	0.50	0.59	0.67	0.67	0.77	0.53	0.63	0.71	0.71	0.81	0.57	0.66	0.75	0.75	0.86	
	PI	2.85	2.86	2.86	2.86	2.86	3.02	3.03	3.03	3.03	3.04	3.20	3.21	3.21	3.21	3.22	3.40	3.40	3.41	3.41	3.41	
122°F (50°C)	TC	17529	17552	17571	17572	17596	18585	18607	18625	18629	18651	19695	19721	19743	19747	19769	20882	20905	20928	20931	20957	
	S/T	0.49	0.57	0.65	0.65	0.74	0.52	0.60	0.69	0.69	0.78	0.55	0.64	0.73	0.73	0.83	0.58	0.68	0.77	0.77	0.88	
	PI	2.42	2.42	2.42	2.42	2.43	2.56	2.57	2.57	2.57	2.57	2.72	2.72	2.72	2.72	2.73	2.88	2.88	2.89	2.89	2.89	

TC:Total Cooling Capacity (BTU/hr)

S/T:Sensible Cooling Capacity Ratio

PI:Power Input(kW)

9HWMS0-HH-SYS-B Expanded Cooling @ 294 CFM

CFM	OD DB (°F)	ID WB	60.8°F (16.0°C)					64.4°F (18.0°C)					67°F (19.4°C)					71.6°F (22.0°C)				
			ID DB					ID DB					ID DB					ID DB				
			73.4°F	77.0°F	80.0°F	80.6°F	84.2°F	73.4°F	77.0°F	80.0°F	80.6°F	84.2°F	73.4°F	77.0°F	80.0°F	80.6°F	84.2°F	73.4°F	77.0°F	80.0°F	80.6°F	84.2°F
294	50°F (10°C)	TC	30492	30533	30566	30567	30608	32329	32368	32400	32406	32445	34261	34305	34344	34350	34388	36325	36365	36404	36410	36455
		S/T	0.41	0.48	0.55	0.55	0.63	0.44	0.51	0.58	0.58	0.66	0.46	0.54	0.62	0.62	0.70	0.49	0.58	0.65	0.65	0.75
		PI	1.39	1.39	1.39	1.39	1.39	1.47	1.47	1.47	1.47	1.48	1.56	1.56	1.56	1.56	1.56	1.65	1.65	1.66	1.66	1.66
	59°F (15°C)	TC	30375	30416	30449	30450	30491	32206	32244	32276	32282	32321	34130	34174	34213	34219	34257	36187	36226	36265	36271	36316
		S/T	0.41	0.49	0.55	0.55	0.63	0.44	0.52	0.59	0.59	0.67	0.47	0.55	0.62	0.62	0.71	0.49	0.58	0.66	0.66	0.75
		PI	1.58	1.58	1.59	1.59	1.59	1.68	1.68	1.68	1.68	1.68	1.78	1.78	1.78	1.78	1.78	1.88	1.89	1.89	1.89	1.89
	68°F (20°C)	TC	30259	30300	30332	30334	30375	32083	32121	32152	32159	32197	33999	34044	34081	34088	34126	36048	36087	36126	36132	36177
		S/T	0.43	0.50	0.57	0.57	0.65	0.45	0.53	0.60	0.60	0.69	0.48	0.56	0.64	0.64	0.73	0.51	0.59	0.68	0.68	0.77
		PI	1.78	1.78	1.78	1.78	1.78	1.88	1.89	1.89	1.89	1.89	2.00	2.00	2.00	2.00	2.00	2.12	2.12	2.12	2.12	2.12
	77°F (25°C)	TC	30143	30183	30216	30217	30258	31959	31997	32029	32035	32073	33869	33913	33950	33957	33995	35909	35948	35987	35993	36038
		S/T	0.43	0.51	0.57	0.57	0.65	0.46	0.54	0.61	0.61	0.69	0.48	0.57	0.65	0.65	0.74	0.51	0.60	0.68	0.68	0.78
		PI	1.97	1.97	1.98	1.98	1.98	2.09	2.09	2.09	2.09	2.10	2.21	2.22	2.22	2.22	2.22	2.35	2.35	2.35	2.35	2.36
	82°F (27.8°C)	TC	30161	30202	30235	30236	30277	31979	32017	32049	32055	32093	33890	33934	33972	33978	34016	35932	35971	36010	36015	36060
		S/T	0.44	0.51	0.58	0.58	0.66	0.46	0.54	0.62	0.62	0.70	0.49	0.58	0.65	0.65	0.75	0.52	0.61	0.69	0.69	0.79
		PI	2.19	2.20	2.20	2.20	2.20	2.32	2.33	2.33	2.33	2.33	2.46	2.47	2.47	2.47	2.47	2.61	2.61	2.62	2.62	2.62
	86°F (30°C)	TC	30282	30323	30355	30357	30398	32107	32145	32177	32183	32221	34025	34069	34107	34113	34152	36075	36114	36154	36159	36204
		S/T	0.44	0.52	0.59	0.59	0.67	0.47	0.55	0.62	0.62	0.71	0.50	0.58	0.66	0.66	0.75	0.53	0.62	0.70	0.70	0.80
		PI	2.51	2.52	2.52	2.52	2.52	2.66	2.67	2.67	2.67	2.67	2.82	2.83	2.83	2.83	2.83	2.99	3.00	3.00	3.00	3.00
	95°F (35°C)	TC	30553	30594	30627	30628	30669	32394	32432	32464	32471	32509	34329	34374	34412	34419	34457	36398	36437	36477	36483	36528
		S/T	0.44	0.52	0.59	0.59	0.67	0.47	0.55	0.62	0.62	0.71	0.50	0.58	0.66	0.66	0.75	0.53	0.62	0.70	0.70	0.80
		PI	3.23	3.24	3.24	3.24	3.24	3.43	3.43	3.43	3.43	3.44	3.63	3.64	3.64	3.64	3.64	3.85	3.85	3.86	3.86	3.86
	104°F (40°C)	TC	28016	28053	28083	28085	28123	29704	29739	29768	29774	29810	31479	31519	31555	31560	31596	33375	33411	33448	33453	33495
		S/T	0.45	0.53	0.60	0.60	0.69	0.48	0.56	0.64	0.64	0.73	0.51	0.60	0.68	0.68	0.77	0.54	0.63	0.72	0.72	0.82
		PI	3.20	3.20	3.21	3.21	3.21	3.39	3.39	3.40	3.40	3.40	3.59	3.60	3.60	3.60	3.61	3.81	3.81	3.82	3.82	3.82
110°F (43°C)	TC	26493	26529	26557	26559	26594	28090	28123	28151	28156	28190	29768	29807	29840	29846	29879	31562	31596	31630	31635	31675	
	S/T	0.47	0.55	0.63	0.63	0.71	0.50	0.58	0.66	0.66	0.76	0.53	0.62	0.70	0.70	0.80	0.56	0.66	0.75	0.75	0.85	
	PI	3.18	3.18	3.19	3.19	3.19	3.37	3.37	3.38	3.38	3.38	3.57	3.58	3.58	3.58	3.58	3.79	3.79	3.79	3.79	3.80	
115°F (46°C)	TC	22651	22682	22706	22707	22738	24016	24045	24069	24073	24102	25451	25484	25513	25517	25546	26985	27014	27043	27048	27081	
	S/T	0.47	0.56	0.63	0.63	0.72	0.50	0.59	0.67	0.67	0.77	0.53	0.63	0.71	0.71	0.81	0.57	0.66	0.75	0.75	0.86	
	PI	2.85	2.86	2.86	2.86	2.86	3.02	3.03	3.03	3.03	3.04	3.20	3.21	3.21	3.21	3.22	3.40	3.40	3.41	3.41	3.41	
122°F (50°C)	TC	17529	17552	17571	17572	17596	18585	18607	18625	18629	18651	19695	19721	19743	19747	19769	20882	20905	20928	20931	20957	
	S/T	0.49	0.57	0.65	0.65	0.74	0.52	0.60	0.69	0.69	0.78	0.55	0.64	0.73	0.73	0.83	0.58	0.68	0.77	0.77	0.88	
	PI	2.42	2.42	2.42	2.42	2.43	2.56	2.57	2.57	2.57	2.57	2.72	2.72	2.72	2.72	2.73	2.88	2.88	2.89	2.89	2.89	

TC:Total Cooling Capacity (BTU/hr)

S/T:Sensible Cooling Capacity Ratio

PI:Power Input(kW)

9HWMS0-HH-SYS-B Expanded Heating @ 141 CFM

CFM	HEATING PERFORMANCE AT INDOOR DRY BULB TEMPERATURE										
	OD DB (°F)	TC : Total Heating Capacity(BTU/hr)					PI : Power Input(kW)				
		Indoor Conditions (DB °F)					Indoor Conditions (DB °F)				
		60.8°F	68°F	70°F	71.6°F	75.2°F	60.8°F	68°F	70°F	71.6°F	75.2°F
141	-22°F	19064	18683	18589	18515	18348	3.82	3.85	3.86	3.86	3.88
	-13°F	25126	24624	24501	24403	24183	4.19	4.23	4.23	4.24	4.26
	-4°F	30034	29433	29286	29169	28906	4.53	4.57	4.58	4.59	4.61
	0°F	31745	31110	30954	30831	30553	4.60	4.63	4.64	4.65	4.67
	5°F	33884	33206	33040	32908	32612	4.68	4.71	4.72	4.73	4.75
	14°F	33008	32348	32186	32057	31769	4.25	4.29	4.30	4.30	4.32
	17°F	32716	32061	31901	31774	31488	4.11	4.14	4.15	4.16	4.18
	22°F	32555	31904	31745	31618	31333	3.89	3.93	3.93	3.94	3.96
	27°F	32394	31747	31588	31461	31178	3.68	3.71	3.72	3.72	3.74
	32°F	32234	31589	31431	31305	31024	3.46	3.49	3.50	3.50	3.52
	35°F	32137	31495	31337	31212	30931	3.33	3.36	3.37	3.37	3.39
	37°F	33645	32972	32807	32676	32382	3.32	3.34	3.35	3.36	3.37
	42°F	37413	36665	36481	36335	36008	3.28	3.31	3.31	3.32	3.33
	44.6°F	38920	38142	37951	37799	37459	3.27	3.29	3.30	3.31	3.32
	47°F	41181	40358	40156	39995	39635	3.24	3.27	3.28	3.28	3.30
	52°F	38704	37930	37740	37589	37251	2.85	2.87	2.87	2.88	2.89
	57°F	36227	35503	35325	35184	34867	2.45	2.47	2.47	2.48	2.49
	59°F	35236	34532	34359	34221	33913	2.29	2.31	2.31	2.31	2.32
62°F	33750	33075	32910	32778	32483	2.05	2.06	2.07	2.07	2.08	
64.4°F	32759	32104	31943	31816	31529	1.89	1.90	1.91	1.91	1.92	

9HWMS0-HH-SYS-B Expanded Heating @ 176 CFM

CFM	HEATING PERFORMANCE AT INDOOR DRY BULB TEMPERATURE										
	OD DB (°F)	TC : Total Heating Capacity(BTU/hr)					PI : Power Input(kW)				
		Indoor Conditions (DB °F)					Indoor Conditions (DB °F)				
		60.8°F	68°F	70°F	71.6°F	75.2°F	60.8°F	68°F	70°F	71.6°F	75.2°F
176	-22°F	19064	18683	18589	18515	18348	3.82	3.85	3.86	3.86	3.88
	-13°F	25126	24624	24501	24403	24183	4.19	4.23	4.23	4.24	4.26
	-4°F	30034	29433	29286	29169	28906	4.53	4.57	4.58	4.59	4.61
	0°F	31745	31110	30954	30831	30553	4.60	4.63	4.64	4.65	4.67
	5°F	33884	33206	33040	32908	32612	4.68	4.71	4.72	4.73	4.75
	14°F	33008	32348	32186	32057	31769	4.25	4.29	4.30	4.30	4.32
	17°F	32716	32061	31901	31774	31488	4.11	4.14	4.15	4.16	4.18
	22°F	32555	31904	31745	31618	31333	3.89	3.93	3.93	3.94	3.96
	27°F	32394	31747	31588	31461	31178	3.68	3.71	3.72	3.72	3.74
	32°F	32234	31589	31431	31305	31024	3.46	3.49	3.50	3.50	3.52
	35°F	32137	31495	31337	31212	30931	3.33	3.36	3.37	3.37	3.39
	37°F	33645	32972	32807	32676	32382	3.32	3.34	3.35	3.36	3.37
	42°F	37413	36665	36481	36335	36008	3.28	3.31	3.31	3.32	3.33
	44.6°F	38920	38142	37951	37799	37459	3.27	3.29	3.30	3.31	3.32
	47°F	41181	40358	40156	39995	39635	3.24	3.27	3.28	3.28	3.30
	52°F	38704	37930	37740	37589	37251	2.85	2.87	2.87	2.88	2.89
	57°F	36227	35503	35325	35184	34867	2.45	2.47	2.47	2.48	2.49
	59°F	35236	34532	34359	34221	33913	2.29	2.31	2.31	2.31	2.32
62°F	33750	33075	32910	32778	32483	2.05	2.06	2.07	2.07	2.08	
64.4°F	32759	32104	31943	31816	31529	1.89	1.90	1.91	1.91	1.92	

9HWMS0-HH-SYS-B Expanded Heating @ 235 CFM

CFM	HEATING PERFORMANCE AT INDOOR DRY BULB TEMPERATURE										
	OD DB (°F)	TC : Total Heating Capacity(BTU/hr)					PI : Power Input(kW)				
		Indoor Conditions (DB °F)					Indoor Conditions (DB °F)				
		60.8°F	68°F	70°F	71.6°F	75.2°F	60.8°F	68°F	70°F	71.6°F	75.2°F
235	-22°F	19064	18683	18589	18515	18348	3.82	3.85	3.86	3.86	3.88
	-13°F	25126	24624	24501	24403	24183	4.19	4.23	4.23	4.24	4.26
	-4°F	30034	29433	29286	29169	28906	4.53	4.57	4.58	4.59	4.61
	0°F	31745	31110	30954	30831	30553	4.60	4.63	4.64	4.65	4.67
	5°F	33884	33206	33040	32908	32612	4.68	4.71	4.72	4.73	4.75
	14°F	33008	32348	32186	32057	31769	4.25	4.29	4.30	4.30	4.32
	17°F	32716	32061	31901	31774	31488	4.11	4.14	4.15	4.16	4.18
	22°F	32555	31904	31745	31618	31333	3.89	3.93	3.93	3.94	3.96
	27°F	32394	31747	31588	31461	31178	3.68	3.71	3.72	3.72	3.74
	32°F	32234	31589	31431	31305	31024	3.46	3.49	3.50	3.50	3.52
	35°F	32137	31495	31337	31212	30931	3.33	3.36	3.37	3.37	3.39
	37°F	33645	32972	32807	32676	32382	3.32	3.34	3.35	3.36	3.37
	42°F	37413	36665	36481	36335	36008	3.28	3.31	3.31	3.32	3.33
	44.6°F	38920	38142	37951	37799	37459	3.27	3.29	3.30	3.31	3.32
	47°F	41181	40358	40156	39995	39635	3.24	3.27	3.28	3.28	3.30
	52°F	38704	37930	37740	37589	37251	2.85	2.87	2.87	2.88	2.89
	57°F	36227	35503	35325	35184	34867	2.45	2.47	2.47	2.48	2.49
59°F	35236	34532	34359	34221	33913	2.29	2.31	2.31	2.31	2.32	
62°F	33750	33075	32910	32778	32483	2.05	2.06	2.07	2.07	2.08	
64.4°F	32759	32104	31943	31816	31529	1.89	1.90	1.91	1.91	1.92	

9HWMS0-HH-SYS-B Expanded Heating @ 294 CFM

CFM	HEATING PERFORMANCE AT INDOOR DRY BULB TEMPERATURE										
	OD DB (°F)	TC : Total Heating Capacity(BTU/hr)					PI : Power Input(kW)				
		Indoor Conditions (DB °F)					Indoor Conditions (DB °F)				
		60.8°F	68°F	70°F	71.6°F	75.2°F	60.8°F	68°F	70°F	71.6°F	75.2°F
294	-22°F	19064	18683	18589	18515	18348	3.82	3.85	3.86	3.86	3.88
	-13°F	25126	24624	24501	24403	24183	4.19	4.23	4.23	4.24	4.26
	-4°F	30034	29433	29286	29169	28906	4.53	4.57	4.58	4.59	4.61
	0°F	31745	31110	30954	30831	30553	4.60	4.63	4.64	4.65	4.67
	5°F	33884	33206	33040	32908	32612	4.68	4.71	4.72	4.73	4.75
	14°F	33008	32348	32186	32057	31769	4.25	4.29	4.30	4.30	4.32
	17°F	32716	32061	31901	31774	31488	4.11	4.14	4.15	4.16	4.18
	22°F	32555	31904	31745	31618	31333	3.89	3.93	3.93	3.94	3.96
	27°F	32394	31747	31588	31461	31178	3.68	3.71	3.72	3.72	3.74
	32°F	32234	31589	31431	31305	31024	3.46	3.49	3.50	3.50	3.52
	35°F	32137	31495	31337	31212	30931	3.33	3.36	3.37	3.37	3.39
	37°F	33645	32972	32807	32676	32382	3.32	3.34	3.35	3.36	3.37
	42°F	37413	36665	36481	36335	36008	3.28	3.31	3.31	3.32	3.33
	44.6°F	38920	38142	37951	37799	37459	3.27	3.29	3.30	3.31	3.32
	47°F	41181	40358	40156	39995	39635	3.24	3.27	3.28	3.28	3.30
	52°F	38704	37930	37740	37589	37251	2.85	2.87	2.87	2.88	2.89
	57°F	36227	35503	35325	35184	34867	2.45	2.47	2.47	2.48	2.49
59°F	35236	34532	34359	34221	33913	2.29	2.31	2.31	2.31	2.32	
62°F	33750	33075	32910	32778	32483	2.05	2.06	2.07	2.07	2.08	
64.4°F	32759	32104	31943	31816	31529	1.89	1.90	1.91	1.91	1.92	

12HWMS0-HH-SYS-B Expanded Cooling @ 141 CFM

CFM	OD DB (°F)	ID WB	60.8°F (16.0°C)					64.4°F (18.0°C)					67°F (19.4°C)					71.6°F (22.0°C)				
			ID DB					ID DB					ID DB					ID DB				
			73.4°F	77.0°F	80.0°F	80.6°F	84.2°F	73.4°F	77.0°F	80.0°F	80.6°F	84.2°F	73.4°F	77.0°F	80.0°F	80.6°F	84.2°F	73.4°F	77.0°F	80.0°F	80.6°F	84.2°F
23.0°C	25.0°C	26.7°C	27.0°C	29.0°C	23.0°C	25.0°C	26.7°C	27.0°C	29.0°C	23.0°C	25.0°C	26.7°C	27.0°C	29.0°C	23.0°C	25.0°C	26.7°C	27.0°C	29.0°C			
141	50°F (10°C)	TC	30492	30533	30566	30567	30608	32329	32368	32400	32406	32445	34261	34305	34344	34350	34388	36325	36365	36404	36410	36455
		S/T	0.41	0.48	0.55	0.55	0.63	0.44	0.51	0.58	0.58	0.66	0.46	0.54	0.62	0.62	0.70	0.49	0.58	0.65	0.65	0.75
		PI	1.39	1.39	1.39	1.39	1.39	1.47	1.47	1.47	1.47	1.48	1.56	1.56	1.56	1.56	1.56	1.65	1.65	1.66	1.66	1.66
	59°F (15°C)	TC	30375	30416	30449	30450	30491	32206	32244	32276	32282	32321	34130	34174	34213	34219	34257	36187	36226	36265	36271	36316
		S/T	0.41	0.49	0.55	0.55	0.63	0.44	0.52	0.59	0.59	0.67	0.47	0.55	0.62	0.62	0.71	0.49	0.58	0.66	0.66	0.75
		PI	1.58	1.58	1.59	1.59	1.59	1.68	1.68	1.68	1.68	1.68	1.78	1.78	1.78	1.78	1.78	1.88	1.89	1.89	1.89	1.89
	68°F (20°C)	TC	30259	30300	30332	30334	30375	32083	32121	32152	32159	32197	33999	34044	34081	34088	34126	36048	36087	36126	36132	36177
		S/T	0.43	0.50	0.57	0.57	0.65	0.45	0.53	0.60	0.60	0.69	0.48	0.56	0.64	0.64	0.73	0.51	0.59	0.68	0.68	0.77
		PI	1.78	1.78	1.78	1.78	1.78	1.88	1.89	1.89	1.89	1.89	2.00	2.00	2.00	2.00	2.00	2.12	2.12	2.12	2.12	2.12
	77°F (25°C)	TC	30143	30183	30216	30217	30258	31959	31997	32029	32035	32073	33869	33913	33950	33957	33995	35909	35948	35987	35993	36038
		S/T	0.43	0.51	0.57	0.57	0.65	0.46	0.54	0.61	0.61	0.69	0.48	0.57	0.65	0.65	0.74	0.51	0.60	0.68	0.68	0.78
		PI	1.97	1.97	1.98	1.98	1.98	2.09	2.09	2.09	2.09	2.10	2.21	2.22	2.22	2.22	2.22	2.35	2.35	2.35	2.35	2.36
	82°F (27.8°C)	TC	30161	30202	30235	30236	30277	31979	32017	32049	32055	32093	33890	33934	33972	33978	34016	35932	35971	36010	36015	36060
		S/T	0.44	0.51	0.58	0.58	0.66	0.46	0.54	0.62	0.62	0.70	0.49	0.58	0.65	0.65	0.75	0.52	0.61	0.69	0.69	0.79
		PI	2.19	2.20	2.20	2.20	2.20	2.32	2.33	2.33	2.33	2.33	2.46	2.47	2.47	2.47	2.47	2.61	2.61	2.62	2.62	2.62
	86°F (30°C)	TC	30282	30323	30355	30357	30398	32107	32145	32177	32183	32221	34025	34069	34107	34113	34152	36075	36114	36154	36159	36204
		S/T	0.44	0.52	0.59	0.59	0.67	0.47	0.55	0.62	0.62	0.71	0.50	0.58	0.66	0.66	0.75	0.53	0.62	0.70	0.70	0.80
		PI	2.51	2.52	2.52	2.52	2.52	2.66	2.67	2.67	2.67	2.67	2.82	2.83	2.83	2.83	2.83	2.99	3.00	3.00	3.00	3.00
	95°F (35°C)	TC	30553	30594	30627	30628	30669	32394	32432	32464	32471	32509	34329	34374	34412	34419	34457	36398	36437	36477	36483	36528
		S/T	0.44	0.52	0.59	0.59	0.67	0.47	0.55	0.62	0.62	0.71	0.50	0.58	0.66	0.66	0.75	0.53	0.62	0.70	0.70	0.80
		PI	3.23	3.24	3.24	3.24	3.24	3.43	3.43	3.43	3.43	3.44	3.63	3.64	3.64	3.64	3.64	3.85	3.85	3.86	3.86	3.86
	104°F (40°C)	TC	28016	28053	28083	28085	28123	29704	29739	29768	29774	29810	31479	31519	31555	31560	31596	33375	33411	33448	33453	33495
		S/T	0.45	0.53	0.60	0.60	0.69	0.48	0.56	0.64	0.64	0.73	0.51	0.60	0.68	0.68	0.77	0.54	0.63	0.72	0.72	0.82
		PI	3.20	3.20	3.21	3.21	3.21	3.39	3.39	3.40	3.40	3.40	3.59	3.60	3.60	3.60	3.61	3.81	3.81	3.82	3.82	3.82
110°F (43°C)	TC	26493	26529	26557	26559	26594	28090	28123	28151	28156	28190	29768	29807	29840	29846	29879	31562	31596	31630	31635	31675	
	S/T	0.47	0.55	0.63	0.63	0.71	0.50	0.58	0.66	0.66	0.76	0.53	0.62	0.70	0.70	0.80	0.56	0.66	0.75	0.75	0.85	
	PI	3.18	3.18	3.19	3.19	3.19	3.37	3.37	3.38	3.38	3.38	3.57	3.58	3.58	3.58	3.58	3.79	3.79	3.79	3.79	3.80	
115°F (46°C)	TC	22651	22682	22706	22707	22738	24016	24045	24069	24073	24102	25451	25484	25513	25517	25546	26985	27014	27043	27048	27081	
	S/T	0.47	0.56	0.63	0.63	0.72	0.50	0.59	0.67	0.67	0.77	0.53	0.63	0.71	0.71	0.81	0.57	0.66	0.75	0.75	0.86	
	PI	2.85	2.86	2.86	2.86	2.86	3.02	3.03	3.03	3.03	3.04	3.20	3.21	3.21	3.21	3.22	3.40	3.40	3.41	3.41	3.41	
122°F (50°C)	TC	17529	17552	17571	17572	17596	18585	18607	18625	18629	18651	19695	19721	19743	19747	19769	20882	20905	20928	20931	20957	
	S/T	0.49	0.57	0.65	0.65	0.74	0.52	0.60	0.69	0.69	0.78	0.55	0.64	0.73	0.73	0.83	0.58	0.68	0.77	0.77	0.88	
	PI	2.42	2.42	2.42	2.42	2.43	2.56	2.57	2.57	2.57	2.57	2.72	2.72	2.72	2.72	2.73	2.88	2.88	2.89	2.89	2.89	

TC:Total Cooling Capacity (BTU/hr)

S/T:Sensible Cooling Capacity Ratio

PI:Power Input(kW)

12HWMS0-HH-SYS-B Expanded Cooling @ 178 CFM

CFM	OD DB (°F)	ID WB	60.8°F (16.0°C)					64.4°F (18.0°C)					67°F (19.4°C)					71.6°F (22.0°C)				
			ID DB					ID DB					ID DB					ID DB				
			73.4°F	77.0°F	80.0°F	80.6°F	84.2°F	73.4°F	77.0°F	80.0°F	80.6°F	84.2°F	73.4°F	77.0°F	80.0°F	80.6°F	84.2°F	73.4°F	77.0°F	80.0°F	80.6°F	84.2°F
23.0°C	25.0°C	26.7°C	27.0°C	29.0°C	23.0°C	25.0°C	26.7°C	27.0°C	29.0°C	23.0°C	25.0°C	26.7°C	27.0°C	29.0°C	23.0°C	25.0°C	26.7°C	27.0°C	29.0°C			
178	50°F (10°C)	TC	30492	30533	30566	30567	30608	32329	32368	32400	32406	32445	34261	34305	34344	34350	34388	36325	36365	36404	36410	36455
		S/T	0.41	0.48	0.55	0.55	0.63	0.44	0.51	0.58	0.58	0.66	0.46	0.54	0.62	0.62	0.70	0.49	0.58	0.65	0.65	0.75
		PI	1.39	1.39	1.39	1.39	1.39	1.47	1.47	1.47	1.47	1.48	1.56	1.56	1.56	1.56	1.56	1.65	1.65	1.66	1.66	1.66
	59°F (15°C)	TC	30375	30416	30449	30450	30491	32206	32244	32276	32282	32321	34130	34174	34213	34219	34257	36187	36226	36265	36271	36316
		S/T	0.41	0.49	0.55	0.55	0.63	0.44	0.52	0.59	0.59	0.67	0.47	0.55	0.62	0.62	0.71	0.49	0.58	0.66	0.66	0.75
		PI	1.58	1.58	1.59	1.59	1.59	1.68	1.68	1.68	1.68	1.68	1.78	1.78	1.78	1.78	1.78	1.88	1.89	1.89	1.89	1.89
	68°F (20°C)	TC	30259	30300	30332	30334	30375	32083	32121	32152	32159	32197	33999	34044	34081	34088	34126	36048	36087	36126	36132	36177
		S/T	0.43	0.50	0.57	0.57	0.65	0.45	0.53	0.60	0.60	0.69	0.48	0.56	0.64	0.64	0.73	0.51	0.59	0.68	0.68	0.77
		PI	1.78	1.78	1.78	1.78	1.78	1.88	1.89	1.89	1.89	1.89	2.00	2.00	2.00	2.00	2.00	2.12	2.12	2.12	2.12	2.12
	77°F (25°C)	TC	30143	30183	30216	30217	30258	31959	31997	32029	32035	32073	33869	33913	33950	33957	33995	35909	35948	35987	35993	36038
		S/T	0.43	0.51	0.57	0.57	0.65	0.46	0.54	0.61	0.61	0.69	0.48	0.57	0.65	0.65	0.74	0.51	0.60	0.68	0.68	0.78
		PI	1.97	1.97	1.98	1.98	1.98	2.09	2.09	2.09	2.09	2.10	2.21	2.22	2.22	2.22	2.22	2.35	2.35	2.35	2.35	2.36
	82°F (27.8°C)	TC	30161	30202	30235	30236	30277	31979	32017	32049	32055	32093	33890	33934	33972	33978	34016	35932	35971	36010	36015	36060
		S/T	0.44	0.51	0.58	0.58	0.66	0.46	0.54	0.62	0.62	0.70	0.49	0.58	0.65	0.65	0.75	0.52	0.61	0.69	0.69	0.79
		PI	2.19	2.20	2.20	2.20	2.20	2.32	2.33	2.33	2.33	2.33	2.46	2.47	2.47	2.47	2.47	2.61	2.61	2.62	2.62	2.62
	86°F (30°C)	TC	30282	30323	30355	30357	30398	32107	32145	32177	32183	32221	34025	34069	34107	34113	34152	36075	36114	36154	36159	36204
		S/T	0.44	0.52	0.59	0.59	0.67	0.47	0.55	0.62	0.62	0.71	0.50	0.58	0.66	0.66	0.75	0.53	0.62	0.70	0.70	0.80
		PI	2.51	2.52	2.52	2.52	2.52	2.66	2.67	2.67	2.67	2.67	2.82	2.83	2.83	2.83	2.83	2.99	3.00	3.00	3.00	3.00
	95°F (35°C)	TC	30553	30594	30627	30628	30669	32394	32432	32464	32471	32509	34329	34374	34412	34419	34457	36398	36437	36477	36483	36528
		S/T	0.44	0.52	0.59	0.59	0.67	0.47	0.55	0.62	0.62	0.71	0.50	0.58	0.66	0.66	0.75	0.53	0.62	0.70	0.70	0.80
		PI	3.23	3.24	3.24	3.24	3.24	3.43	3.43	3.43	3.43	3.44	3.63	3.64	3.64	3.64	3.64	3.85	3.85	3.86	3.86	3.86
	104°F (40°C)	TC	28016	28053	28083	28085	28123	29704	29739	29768	29774	29810	31479	31519	31555	31560	31596	33375	33411	33448	33453	33495
		S/T	0.45	0.53	0.60	0.60	0.69	0.48	0.56	0.64	0.64	0.73	0.51	0.60	0.68	0.68	0.77	0.54	0.63	0.72	0.72	0.82
		PI	3.20	3.20	3.21	3.21	3.21	3.39	3.39	3.40	3.40	3.40	3.59	3.60	3.60	3.60	3.61	3.81	3.81	3.82	3.82	3.82
110°F (43°C)	TC	26493	26529	26557	26559	26594	28090	28123	28151	28156	28190	29768	29807	29840	29846	29879	31562	31596	31630	31635	31675	
	S/T	0.47	0.55	0.63	0.63	0.71	0.50	0.58	0.66	0.66	0.76	0.53	0.62	0.70	0.70	0.80	0.56	0.66	0.75	0.75	0.85	
	PI	3.18	3.18	3.19	3.19	3.19	3.37	3.37	3.38	3.38	3.38	3.57	3.58	3.58	3.58	3.58	3.79	3.79	3.79	3.79	3.80	
115°F (46°C)	TC	22651	22682	22706	22707	22738	24016	24045	24069	24073	24102	25451	25484	25513	25517	25546	26985	27014	27043	27048	27081	
	S/T	0.47	0.56	0.63	0.63	0.72	0.50	0.59	0.67	0.67	0.77	0.53	0.63	0.71	0.71	0.81	0.57	0.66	0.75	0.75	0.86	
	PI	2.85	2.86	2.86	2.86	2.86	3.02	3.03	3.03	3.03	3.04	3.20	3.21	3.21	3.21	3.22	3.40	3.40	3.41	3.41	3.41	
122°F (50°C)	TC	17529	17552	17571	17572	17596	18585	18607	18625	18629	18651	19695	19721	19743	19747	19769	20882	20905	20928	20931	20957	
	S/T	0.49	0.57	0.65	0.65	0.74	0.52	0.60	0.69	0.69	0.78	0.55	0.64	0.73	0.73	0.83	0.58	0.68	0.77	0.77	0.88	
	PI	2.42	2.42	2.42	2.42	2.43	2.56	2.57	2.57	2.57	2.57	2.72	2.72	2.72	2.72	2.73	2.88	2.88	2.89	2.89	2.89	

TC:Total Cooling Capacity (BTU/hr)

S/T:Sensible Cooling Capacity Ratio

PI:Power Input(kW)

12HWMS0-HH-SYS-B Expanded Cooling @ 235 CFM

CFM	OD DB (°F)	ID WB	60.8°F (16.0°C)					64.4°F (18.0°C)					67°F (19.4°C)					71.6°F (22.0°C)				
			ID DB					ID DB					ID DB					ID DB				
			73.4°F	77.0°F	80.0°F	80.6°F	84.2°F	73.4°F	77.0°F	80.0°F	80.6°F	84.2°F	73.4°F	77.0°F	80.0°F	80.6°F	84.2°F	73.4°F	77.0°F	80.0°F	80.6°F	84.2°F
23.0°C	25.0°C	26.7°C	27.0°C	29.0°C	23.0°C	25.0°C	26.7°C	27.0°C	29.0°C	23.0°C	25.0°C	26.7°C	27.0°C	29.0°C	23.0°C	25.0°C	26.7°C	27.0°C	29.0°C			
235	50°F (10°C)	TC	30492	30533	30566	30567	30608	32329	32368	32400	32406	32445	34261	34305	34344	34350	34388	36325	36365	36404	36410	36455
		S/T	0.41	0.48	0.55	0.55	0.63	0.44	0.51	0.58	0.58	0.66	0.46	0.54	0.62	0.62	0.70	0.49	0.58	0.65	0.65	0.75
		PI	1.39	1.39	1.39	1.39	1.39	1.47	1.47	1.47	1.47	1.48	1.56	1.56	1.56	1.56	1.56	1.65	1.65	1.66	1.66	1.66
	59°F (15°C)	TC	30375	30416	30449	30450	30491	32206	32244	32276	32282	32321	34130	34174	34213	34219	34257	36187	36226	36265	36271	36316
		S/T	0.41	0.49	0.55	0.55	0.63	0.44	0.52	0.59	0.59	0.67	0.47	0.55	0.62	0.62	0.71	0.49	0.58	0.66	0.66	0.75
		PI	1.58	1.58	1.59	1.59	1.59	1.68	1.68	1.68	1.68	1.68	1.78	1.78	1.78	1.78	1.78	1.88	1.89	1.89	1.89	1.89
	68°F (20°C)	TC	30259	30300	30332	30334	30375	32083	32121	32152	32159	32197	33999	34044	34081	34088	34126	36048	36087	36126	36132	36177
		S/T	0.43	0.50	0.57	0.57	0.65	0.45	0.53	0.60	0.60	0.69	0.48	0.56	0.64	0.64	0.73	0.51	0.59	0.68	0.68	0.77
		PI	1.78	1.78	1.78	1.78	1.78	1.88	1.89	1.89	1.89	1.89	2.00	2.00	2.00	2.00	2.00	2.12	2.12	2.12	2.12	2.12
	77°F (25°C)	TC	30143	30183	30216	30217	30258	31959	31997	32029	32035	32073	33869	33913	33950	33957	33995	35909	35948	35987	35993	36038
		S/T	0.43	0.51	0.57	0.57	0.65	0.46	0.54	0.61	0.61	0.69	0.48	0.57	0.65	0.65	0.74	0.51	0.60	0.68	0.68	0.78
		PI	1.97	1.97	1.98	1.98	1.98	2.09	2.09	2.09	2.09	2.10	2.21	2.22	2.22	2.22	2.22	2.35	2.35	2.35	2.35	2.36
	82°F (27.8°C)	TC	30161	30202	30235	30236	30277	31979	32017	32049	32055	32093	33890	33934	33972	33978	34016	35932	35971	36010	36015	36060
		S/T	0.44	0.51	0.58	0.58	0.66	0.46	0.54	0.62	0.62	0.70	0.49	0.58	0.65	0.65	0.75	0.52	0.61	0.69	0.69	0.79
		PI	2.19	2.20	2.20	2.20	2.20	2.32	2.33	2.33	2.33	2.33	2.46	2.47	2.47	2.47	2.47	2.61	2.61	2.62	2.62	2.62
	86°F (30°C)	TC	30282	30323	30355	30357	30398	32107	32145	32177	32183	32221	34025	34069	34107	34113	34152	36075	36114	36154	36159	36204
		S/T	0.44	0.52	0.59	0.59	0.67	0.47	0.55	0.62	0.62	0.71	0.50	0.58	0.66	0.66	0.75	0.53	0.62	0.70	0.70	0.80
		PI	2.51	2.52	2.52	2.52	2.52	2.66	2.67	2.67	2.67	2.67	2.82	2.83	2.83	2.83	2.83	2.99	3.00	3.00	3.00	3.00
	95°F (35°C)	TC	30553	30594	30627	30628	30669	32394	32432	32464	32471	32509	34329	34374	34412	34419	34457	36398	36437	36477	36483	36528
		S/T	0.44	0.52	0.59	0.59	0.67	0.47	0.55	0.62	0.62	0.71	0.50	0.58	0.66	0.66	0.75	0.53	0.62	0.70	0.70	0.80
		PI	3.23	3.24	3.24	3.24	3.24	3.43	3.43	3.43	3.43	3.44	3.63	3.64	3.64	3.64	3.64	3.85	3.85	3.86	3.86	3.86
	104°F (40°C)	TC	28016	28053	28083	28085	28123	29704	29739	29768	29774	29810	31479	31519	31555	31560	31596	33375	33411	33448	33453	33495
		S/T	0.45	0.53	0.60	0.60	0.69	0.48	0.56	0.64	0.64	0.73	0.51	0.60	0.68	0.68	0.77	0.54	0.63	0.72	0.72	0.82
		PI	3.20	3.20	3.21	3.21	3.21	3.39	3.39	3.40	3.40	3.40	3.59	3.60	3.60	3.60	3.61	3.81	3.81	3.82	3.82	3.82
110°F (43°C)	TC	26493	26529	26557	26559	26594	28090	28123	28151	28156	28190	29768	29807	29840	29846	29879	31562	31596	31630	31635	31675	
	S/T	0.47	0.55	0.63	0.63	0.71	0.50	0.58	0.66	0.66	0.76	0.53	0.62	0.70	0.70	0.80	0.56	0.66	0.75	0.75	0.85	
	PI	3.18	3.18	3.19	3.19	3.19	3.37	3.37	3.38	3.38	3.38	3.57	3.58	3.58	3.58	3.58	3.79	3.79	3.79	3.79	3.80	
115°F (46°C)	TC	22651	22682	22706	22707	22738	24016	24045	24069	24073	24102	25451	25484	25513	25517	25546	26985	27014	27043	27048	27081	
	S/T	0.47	0.56	0.63	0.63	0.72	0.50	0.59	0.67	0.67	0.77	0.53	0.63	0.71	0.71	0.81	0.57	0.66	0.75	0.75	0.86	
	PI	2.85	2.86	2.86	2.86	2.86	3.02	3.03	3.03	3.03	3.04	3.20	3.21	3.21	3.21	3.22	3.40	3.40	3.41	3.41	3.41	
122°F (50°C)	TC	17529	17552	17571	17572	17596	18585	18607	18625	18629	18651	19695	19721	19743	19747	19769	20882	20905	20928	20931	20957	
	S/T	0.49	0.57	0.65	0.65	0.74	0.52	0.60	0.69	0.69	0.78	0.55	0.64	0.73	0.73	0.83	0.58	0.68	0.77	0.77	0.88	
	PI	2.42	2.42	2.42	2.42	2.43	2.56	2.57	2.57	2.57	2.57	2.72	2.72	2.72	2.72	2.73	2.88	2.88	2.89	2.89	2.89	

TC:Total Cooling Capacity (BTU/hr)

S/T:Sensible Cooling Capacity Ratio

PI:Power Input(kW)

12HWMS0-HH-SYS-B Expanded Cooling @ 294 CFM

CFM	OD DB (°F)	ID WB	60.8°F (16.0°C)					64.4°F (18.0°C)					67°F (19.4°C)					71.6°F (22.0°C)				
			ID DB					ID DB					ID DB					ID DB				
			73.4°F	77.0°F	80.0°F	80.6°F	84.2°F	73.4°F	77.0°F	80.0°F	80.6°F	84.2°F	73.4°F	77.0°F	80.0°F	80.6°F	84.2°F	73.4°F	77.0°F	80.0°F	80.6°F	84.2°F
294	50°F (10°C)	TC	30492	30533	30566	30567	30608	32329	32368	32400	32406	32445	34261	34305	34344	34350	34388	36325	36365	36404	36410	36455
		S/T	0.41	0.48	0.55	0.55	0.63	0.44	0.51	0.58	0.58	0.66	0.46	0.54	0.62	0.62	0.70	0.49	0.58	0.65	0.65	0.75
		PI	1.39	1.39	1.39	1.39	1.39	1.47	1.47	1.47	1.47	1.48	1.56	1.56	1.56	1.56	1.56	1.65	1.65	1.66	1.66	1.66
	59°F (15°C)	TC	30375	30416	30449	30450	30491	32206	32244	32276	32282	32321	34130	34174	34213	34219	34257	36187	36226	36265	36271	36316
		S/T	0.41	0.49	0.55	0.55	0.63	0.44	0.52	0.59	0.59	0.67	0.47	0.55	0.62	0.62	0.71	0.49	0.58	0.66	0.66	0.75
		PI	1.58	1.58	1.59	1.59	1.59	1.68	1.68	1.68	1.68	1.68	1.78	1.78	1.78	1.78	1.78	1.88	1.89	1.89	1.89	1.89
	68°F (20°C)	TC	30259	30300	30332	30334	30375	32083	32121	32152	32159	32197	33999	34044	34081	34088	34126	36048	36087	36126	36132	36177
		S/T	0.43	0.50	0.57	0.57	0.65	0.45	0.53	0.60	0.60	0.69	0.48	0.56	0.64	0.64	0.73	0.51	0.59	0.68	0.68	0.77
		PI	1.78	1.78	1.78	1.78	1.78	1.88	1.89	1.89	1.89	1.89	2.00	2.00	2.00	2.00	2.00	2.12	2.12	2.12	2.12	2.12
	77°F (25°C)	TC	30143	30183	30216	30217	30258	31959	31997	32029	32035	32073	33869	33913	33950	33957	33995	35909	35948	35987	35993	36038
		S/T	0.43	0.51	0.57	0.57	0.65	0.46	0.54	0.61	0.61	0.69	0.48	0.57	0.65	0.65	0.74	0.51	0.60	0.68	0.68	0.78
		PI	1.97	1.97	1.98	1.98	1.98	2.09	2.09	2.09	2.09	2.10	2.21	2.22	2.22	2.22	2.22	2.35	2.35	2.35	2.35	2.36
	82°F (27.8°C)	TC	30161	30202	30235	30236	30277	31979	32017	32049	32055	32093	33890	33934	33972	33978	34016	35932	35971	36010	36015	36060
		S/T	0.44	0.51	0.58	0.58	0.66	0.46	0.54	0.62	0.62	0.70	0.49	0.58	0.65	0.65	0.75	0.52	0.61	0.69	0.69	0.79
		PI	2.19	2.20	2.20	2.20	2.20	2.32	2.33	2.33	2.33	2.33	2.46	2.47	2.47	2.47	2.47	2.61	2.61	2.62	2.62	2.62
	86°F (30°C)	TC	30282	30323	30355	30357	30398	32107	32145	32177	32183	32221	34025	34069	34107	34113	34152	36075	36114	36154	36159	36204
		S/T	0.44	0.52	0.59	0.59	0.67	0.47	0.55	0.62	0.62	0.71	0.50	0.58	0.66	0.66	0.75	0.53	0.62	0.70	0.70	0.80
		PI	2.51	2.52	2.52	2.52	2.52	2.66	2.67	2.67	2.67	2.67	2.82	2.83	2.83	2.83	2.83	2.99	3.00	3.00	3.00	3.00
	95°F (35°C)	TC	30553	30594	30627	30628	30669	32394	32432	32464	32471	32509	34329	34374	34412	34419	34457	36398	36437	36477	36483	36528
		S/T	0.44	0.52	0.59	0.59	0.67	0.47	0.55	0.62	0.62	0.71	0.50	0.58	0.66	0.66	0.75	0.53	0.62	0.70	0.70	0.80
		PI	3.23	3.24	3.24	3.24	3.24	3.43	3.43	3.43	3.43	3.44	3.63	3.64	3.64	3.64	3.64	3.85	3.85	3.86	3.86	3.86
	104°F (40°C)	TC	28016	28053	28083	28085	28123	29704	29739	29768	29774	29810	31479	31519	31555	31560	31596	33375	33411	33448	33453	33495
		S/T	0.45	0.53	0.60	0.60	0.69	0.48	0.56	0.64	0.64	0.73	0.51	0.60	0.68	0.68	0.77	0.54	0.63	0.72	0.72	0.82
		PI	3.20	3.20	3.21	3.21	3.21	3.39	3.39	3.40	3.40	3.40	3.59	3.60	3.60	3.60	3.61	3.81	3.81	3.82	3.82	3.82
110°F (43°C)	TC	26493	26529	26557	26559	26594	28090	28123	28151	28156	28190	29768	29807	29840	29846	29879	31562	31596	31630	31635	31675	
	S/T	0.47	0.55	0.63	0.63	0.71	0.50	0.58	0.66	0.66	0.76	0.53	0.62	0.70	0.70	0.80	0.56	0.66	0.75	0.75	0.85	
	PI	3.18	3.18	3.19	3.19	3.19	3.37	3.37	3.38	3.38	3.38	3.57	3.58	3.58	3.58	3.58	3.79	3.79	3.79	3.79	3.80	
115°F (46°C)	TC	22651	22682	22706	22707	22738	24016	24045	24069	24073	24102	25451	25484	25513	25517	25546	26985	27014	27043	27048	27081	
	S/T	0.47	0.56	0.63	0.63	0.72	0.50	0.59	0.67	0.67	0.77	0.53	0.63	0.71	0.71	0.81	0.57	0.66	0.75	0.75	0.86	
	PI	2.85	2.86	2.86	2.86	2.86	3.02	3.03	3.03	3.03	3.04	3.20	3.21	3.21	3.21	3.22	3.40	3.40	3.41	3.41	3.41	
122°F (50°C)	TC	17529	17552	17571	17572	17596	18585	18607	18625	18629	18651	19695	19721	19743	19747	19769	20882	20905	20928	20931	20957	
	S/T	0.49	0.57	0.65	0.65	0.74	0.52	0.60	0.69	0.69	0.78	0.55	0.64	0.73	0.73	0.83	0.58	0.68	0.77	0.77	0.88	
	PI	2.42	2.42	2.42	2.42	2.43	2.56	2.57	2.57	2.57	2.57	2.72	2.72	2.72	2.72	2.73	2.88	2.88	2.89	2.89	2.89	

TC:Total Cooling Capacity (BTU/hr)

S/T:Sensible Cooling Capacity Ratio

PI:Power Input(kW)

12HWMS0-HH-SYS-B Expanded Heating @ 141 CFM

CFM	HEATING PERFORMANCE AT INDOOR DRY BULB TEMPERATURE										
	OD DB (°F)	TC : Total Heating Capacity(BTU/hr)					PI : Power Input(kW)				
		Indoor Conditions (DB °F)					Indoor Conditions (DB °F)				
		60.8°F	68°F	70°F	71.6°F	75.2°F	60.8°F	68°F	70°F	71.6°F	75.2°F
141	-22°F	19064	18683	18589	18515	18348	3.82	3.85	3.86	3.86	3.88
	-13°F	25126	24624	24501	24403	24183	4.19	4.23	4.23	4.24	4.26
	-4°F	30034	29433	29286	29169	28906	4.53	4.57	4.58	4.59	4.61
	0°F	31745	31110	30954	30831	30553	4.60	4.63	4.64	4.65	4.67
	5°F	33884	33206	33040	32908	32612	4.68	4.71	4.72	4.73	4.75
	14°F	33008	32348	32186	32057	31769	4.25	4.29	4.30	4.30	4.32
	17°F	32716	32061	31901	31774	31488	4.11	4.14	4.15	4.16	4.18
	22°F	32555	31904	31745	31618	31333	3.89	3.93	3.93	3.94	3.96
	27°F	32394	31747	31588	31461	31178	3.68	3.71	3.72	3.72	3.74
	32°F	32234	31589	31431	31305	31024	3.46	3.49	3.50	3.50	3.52
	35°F	32137	31495	31337	31212	30931	3.33	3.36	3.37	3.37	3.39
	37°F	33645	32972	32807	32676	32382	3.32	3.34	3.35	3.36	3.37
	42°F	37413	36665	36481	36335	36008	3.28	3.31	3.31	3.32	3.33
	44.6°F	38920	38142	37951	37799	37459	3.27	3.29	3.30	3.31	3.32
	47°F	41181	40358	40156	39995	39635	3.24	3.27	3.28	3.28	3.30
	52°F	38704	37930	37740	37589	37251	2.85	2.87	2.87	2.88	2.89
	57°F	36227	35503	35325	35184	34867	2.45	2.47	2.47	2.48	2.49
	59°F	35236	34532	34359	34221	33913	2.29	2.31	2.31	2.31	2.32
62°F	33750	33075	32910	32778	32483	2.05	2.06	2.07	2.07	2.08	
64.4°F	32759	32104	31943	31816	31529	1.89	1.90	1.91	1.91	1.92	

12HWMS0-HH-SYS-B Expanded Heating @ 176 CFM

CFM	HEATING PERFORMANCE AT INDOOR DRY BULB TEMPERATURE										
	OD DB (°F)	TC : Total Heating Capacity(BTU/hr)					PI : Power Input(kW)				
		Indoor Conditions (DB °F)					Indoor Conditions (DB °F)				
		60.8°F	68°F	70°F	71.6°F	75.2°F	60.8°F	68°F	70°F	71.6°F	75.2°F
176	-22°F	19064	18683	18589	18515	18348	3.82	3.85	3.86	3.86	3.88
	-13°F	25126	24624	24501	24403	24183	4.19	4.23	4.23	4.24	4.26
	-4°F	30034	29433	29286	29169	28906	4.53	4.57	4.58	4.59	4.61
	0°F	31745	31110	30954	30831	30553	4.60	4.63	4.64	4.65	4.67
	5°F	33884	33206	33040	32908	32612	4.68	4.71	4.72	4.73	4.75
	14°F	33008	32348	32186	32057	31769	4.25	4.29	4.30	4.30	4.32
	17°F	32716	32061	31901	31774	31488	4.11	4.14	4.15	4.16	4.18
	22°F	32555	31904	31745	31618	31333	3.89	3.93	3.93	3.94	3.96
	27°F	32394	31747	31588	31461	31178	3.68	3.71	3.72	3.72	3.74
	32°F	32234	31589	31431	31305	31024	3.46	3.49	3.50	3.50	3.52
	35°F	32137	31495	31337	31212	30931	3.33	3.36	3.37	3.37	3.39
	37°F	33645	32972	32807	32676	32382	3.32	3.34	3.35	3.36	3.37
	42°F	37413	36665	36481	36335	36008	3.28	3.31	3.31	3.32	3.33
	44.6°F	38920	38142	37951	37799	37459	3.27	3.29	3.30	3.31	3.32
	47°F	41181	40358	40156	39995	39635	3.24	3.27	3.28	3.28	3.30
	52°F	38704	37930	37740	37589	37251	2.85	2.87	2.87	2.88	2.89
	57°F	36227	35503	35325	35184	34867	2.45	2.47	2.47	2.48	2.49
	59°F	35236	34532	34359	34221	33913	2.29	2.31	2.31	2.31	2.32
62°F	33750	33075	32910	32778	32483	2.05	2.06	2.07	2.07	2.08	
64.4°F	32759	32104	31943	31816	31529	1.89	1.90	1.91	1.91	1.92	

12HWMS0-HH-SYS-B Expanded Heating @ 235 CFM

CFM	HEATING PERFORMANCE AT INDOOR DRY BULB TEMPERATURE										
	OD DB (°F)	TC : Total Heating Capacity(BTU/hr)					PI : Power Input(kW)				
		Indoor Conditions (DB °F)					Indoor Conditions (DB °F)				
		60.8°F	68°F	70°F	71.6°F	75.2°F	60.8°F	68°F	70°F	71.6°F	75.2°F
235	-22°F	19064	18683	18589	18515	18348	3.82	3.85	3.86	3.86	3.88
	-13°F	25126	24624	24501	24403	24183	4.19	4.23	4.23	4.24	4.26
	-4°F	30034	29433	29286	29169	28906	4.53	4.57	4.58	4.59	4.61
	0°F	31745	31110	30954	30831	30553	4.60	4.63	4.64	4.65	4.67
	5°F	33884	33206	33040	32908	32612	4.68	4.71	4.72	4.73	4.75
	14°F	33008	32348	32186	32057	31769	4.25	4.29	4.30	4.30	4.32
	17°F	32716	32061	31901	31774	31488	4.11	4.14	4.15	4.16	4.18
	22°F	32555	31904	31745	31618	31333	3.89	3.93	3.93	3.94	3.96
	27°F	32394	31747	31588	31461	31178	3.68	3.71	3.72	3.72	3.74
	32°F	32234	31589	31431	31305	31024	3.46	3.49	3.50	3.50	3.52
	35°F	32137	31495	31337	31212	30931	3.33	3.36	3.37	3.37	3.39
	37°F	33645	32972	32807	32676	32382	3.32	3.34	3.35	3.36	3.37
	42°F	37413	36665	36481	36335	36008	3.28	3.31	3.31	3.32	3.33
	44.6°F	38920	38142	37951	37799	37459	3.27	3.29	3.30	3.31	3.32
	47°F	41181	40358	40156	39995	39635	3.24	3.27	3.28	3.28	3.30
	52°F	38704	37930	37740	37589	37251	2.85	2.87	2.87	2.88	2.89
	57°F	36227	35503	35325	35184	34867	2.45	2.47	2.47	2.48	2.49
	59°F	35236	34532	34359	34221	33913	2.29	2.31	2.31	2.31	2.32
62°F	33750	33075	32910	32778	32483	2.05	2.06	2.07	2.07	2.08	
64.4°F	32759	32104	31943	31816	31529	1.89	1.90	1.91	1.91	1.92	

12HWMS0-HH-SYS-B Expanded Heating @ 294 CFM

CFM	HEATING PERFORMANCE AT INDOOR DRY BULB TEMPERATURE										
	OD DB (°F)	TC : Total Heating Capacity(BTU/hr)					PI : Power Input(kW)				
		Indoor Conditions (DB °F)					Indoor Conditions (DB °F)				
		60.8°F	68°F	70°F	71.6°F	75.2°F	60.8°F	68°F	70°F	71.6°F	75.2°F
294	-22°F	19064	18683	18589	18515	18348	3.82	3.85	3.86	3.86	3.88
	-13°F	25126	24624	24501	24403	24183	4.19	4.23	4.23	4.24	4.26
	-4°F	30034	29433	29286	29169	28906	4.53	4.57	4.58	4.59	4.61
	0°F	31745	31110	30954	30831	30553	4.60	4.63	4.64	4.65	4.67
	5°F	33884	33206	33040	32908	32612	4.68	4.71	4.72	4.73	4.75
	14°F	33008	32348	32186	32057	31769	4.25	4.29	4.30	4.30	4.32
	17°F	32716	32061	31901	31774	31488	4.11	4.14	4.15	4.16	4.18
	22°F	32555	31904	31745	31618	31333	3.89	3.93	3.93	3.94	3.96
	27°F	32394	31747	31588	31461	31178	3.68	3.71	3.72	3.72	3.74
	32°F	32234	31589	31431	31305	31024	3.46	3.49	3.50	3.50	3.52
	35°F	32137	31495	31337	31212	30931	3.33	3.36	3.37	3.37	3.39
	37°F	33645	32972	32807	32676	32382	3.32	3.34	3.35	3.36	3.37
	42°F	37413	36665	36481	36335	36008	3.28	3.31	3.31	3.32	3.33
	44.6°F	38920	38142	37951	37799	37459	3.27	3.29	3.30	3.31	3.32
	47°F	41181	40358	40156	39995	39635	3.24	3.27	3.28	3.28	3.30
	52°F	38704	37930	37740	37589	37251	2.85	2.87	2.87	2.88	2.89
	57°F	36227	35503	35325	35184	34867	2.45	2.47	2.47	2.48	2.49
59°F	35236	34532	34359	34221	33913	2.29	2.31	2.31	2.31	2.32	
62°F	33750	33075	32910	32778	32483	2.05	2.06	2.07	2.07	2.08	
64.4°F	32759	32104	31943	31816	31529	1.89	1.90	1.91	1.91	1.92	

18HWMS0-HH-SYS-B Expanded Cooling @ 141 CFM

CFM	OD DB (°F)	ID WB ID DB	60.8°F (16.0°C)					64.4°F (18.0°C)					67°F (19.4°C)					71.6°F (22.0°C)				
			73.4°F	77.0°F	80.0°F	80.6°F	84.2°F	73.4°F	77.0°F	80.0°F	80.6°F	84.2°F	73.4°F	77.0°F	80.0°F	80.6°F	84.2°F	73.4°F	77.0°F	80.0°F	80.6°F	84.2°F
			23.0°C	25.0°C	26.7°C	27.0°C	29.0°C	23.0°C	25.0°C	26.7°C	27.0°C	29.0°C	23.0°C	25.0°C	26.7°C	27.0°C	29.0°C	23.0°C	25.0°C	26.7°C	27.0°C	29.0°C
141	50°F (10°C)	TC	30492	30533	30566	30567	30608	32329	32368	32400	32406	32445	34261	34305	34344	34350	34388	36325	36365	36404	36410	36455
		S/T	0.41	0.48	0.55	0.55	0.63	0.44	0.51	0.58	0.58	0.66	0.46	0.54	0.62	0.62	0.70	0.49	0.58	0.65	0.65	0.75
		PI	1.39	1.39	1.39	1.39	1.39	1.47	1.47	1.47	1.47	1.48	1.56	1.56	1.56	1.56	1.56	1.65	1.65	1.66	1.66	1.66
	59°F (15°C)	TC	30375	30416	30449	30450	30491	32206	32244	32276	32282	32321	34130	34174	34213	34219	34257	36187	36226	36265	36271	36316
		S/T	0.41	0.49	0.55	0.55	0.63	0.44	0.52	0.59	0.59	0.67	0.47	0.55	0.62	0.62	0.71	0.49	0.58	0.66	0.66	0.75
		PI	1.58	1.58	1.59	1.59	1.59	1.68	1.68	1.68	1.68	1.68	1.78	1.78	1.78	1.78	1.78	1.88	1.89	1.89	1.89	1.89
	68°F (20°C)	TC	30259	30300	30332	30334	30375	32083	32121	32152	32159	32197	33999	34044	34081	34088	34126	36048	36087	36126	36132	36177
		S/T	0.43	0.50	0.57	0.57	0.65	0.45	0.53	0.60	0.60	0.69	0.48	0.56	0.64	0.64	0.73	0.51	0.59	0.68	0.68	0.77
		PI	1.78	1.78	1.78	1.78	1.78	1.88	1.89	1.89	1.89	1.89	2.00	2.00	2.00	2.00	2.00	2.12	2.12	2.12	2.12	2.12
	77°F (25°C)	TC	30143	30183	30216	30217	30258	31959	31997	32029	32035	32073	33869	33913	33950	33957	33995	35909	35948	35987	35993	36038
		S/T	0.43	0.51	0.57	0.57	0.65	0.46	0.54	0.61	0.61	0.69	0.48	0.57	0.65	0.65	0.74	0.51	0.60	0.68	0.68	0.78
		PI	1.97	1.97	1.98	1.98	1.98	2.09	2.09	2.09	2.09	2.10	2.21	2.22	2.22	2.22	2.22	2.35	2.35	2.35	2.35	2.36
	82°F (27.8°C)	TC	30161	30202	30235	30236	30277	31979	32017	32049	32055	32093	33890	33934	33972	33978	34016	35932	35971	36010	36015	36060
		S/T	0.44	0.51	0.58	0.58	0.66	0.46	0.54	0.62	0.62	0.70	0.49	0.58	0.65	0.65	0.75	0.52	0.61	0.69	0.69	0.79
		PI	2.19	2.20	2.20	2.20	2.20	2.32	2.33	2.33	2.33	2.33	2.46	2.47	2.47	2.47	2.47	2.61	2.61	2.62	2.62	2.62
	86°F (30°C)	TC	30282	30323	30355	30357	30398	32107	32145	32177	32183	32221	34025	34069	34107	34113	34152	36075	36114	36154	36159	36204
		S/T	0.44	0.52	0.59	0.59	0.67	0.47	0.55	0.62	0.62	0.71	0.50	0.58	0.66	0.66	0.75	0.53	0.62	0.70	0.70	0.80
		PI	2.51	2.52	2.52	2.52	2.52	2.66	2.67	2.67	2.67	2.67	2.82	2.83	2.83	2.83	2.83	2.99	3.00	3.00	3.00	3.00
	95°F (35°C)	TC	30553	30594	30627	30628	30669	32394	32432	32464	32471	32509	34329	34374	34412	34419	34457	36398	36437	36477	36483	36528
		S/T	0.44	0.52	0.59	0.59	0.67	0.47	0.55	0.62	0.62	0.71	0.50	0.58	0.66	0.66	0.75	0.53	0.62	0.70	0.70	0.80
		PI	3.23	3.24	3.24	3.24	3.24	3.43	3.43	3.43	3.43	3.44	3.63	3.64	3.64	3.64	3.64	3.85	3.85	3.86	3.86	3.86
	104°F (40°C)	TC	28016	28053	28083	28085	28123	29704	29739	29768	29774	29810	31479	31519	31555	31560	31596	33375	33411	33448	33453	33495
		S/T	0.45	0.53	0.60	0.60	0.69	0.48	0.56	0.64	0.64	0.73	0.51	0.60	0.68	0.68	0.77	0.54	0.63	0.72	0.72	0.82
		PI	3.20	3.20	3.21	3.21	3.21	3.39	3.39	3.40	3.40	3.40	3.59	3.60	3.60	3.60	3.61	3.81	3.81	3.82	3.82	3.82
110°F (43°C)	TC	26493	26529	26557	26559	26594	28090	28123	28151	28156	28190	29768	29807	29840	29846	29879	31562	31596	31630	31635	31675	
	S/T	0.47	0.55	0.63	0.63	0.71	0.50	0.58	0.66	0.66	0.76	0.53	0.62	0.70	0.70	0.80	0.56	0.66	0.75	0.75	0.85	
	PI	3.18	3.18	3.19	3.19	3.19	3.37	3.37	3.38	3.38	3.38	3.57	3.58	3.58	3.58	3.58	3.79	3.79	3.79	3.79	3.80	
115°F (46°C)	TC	22651	22682	22706	22707	22738	24016	24045	24069	24073	24102	25451	25484	25513	25517	25546	26985	27014	27043	27048	27081	
	S/T	0.47	0.56	0.63	0.63	0.72	0.50	0.59	0.67	0.67	0.77	0.53	0.63	0.71	0.71	0.81	0.57	0.66	0.75	0.75	0.86	
	PI	2.85	2.86	2.86	2.86	2.86	3.02	3.03	3.03	3.03	3.04	3.20	3.21	3.21	3.21	3.22	3.40	3.40	3.41	3.41	3.41	
122°F (50°C)	TC	17529	17552	17571	17572	17596	18585	18607	18625	18629	18651	19695	19721	19743	19747	19769	20882	20905	20928	20931	20957	
	S/T	0.49	0.57	0.65	0.65	0.74	0.52	0.60	0.69	0.69	0.78	0.55	0.64	0.73	0.73	0.83	0.58	0.68	0.77	0.77	0.88	
	PI	2.42	2.42	2.42	2.42	2.43	2.56	2.57	2.57	2.57	2.57	2.72	2.72	2.72	2.72	2.73	2.88	2.88	2.89	2.89	2.89	

TC:Total Cooling Capacity (BTU/hr)

S/T:Sensible Cooling Capacity Ratio

PI:Power Input(kW)

18HWMS0-HH-SYS-B Expanded Cooling @ 178 CFM

CFM	OD DB (°F)	ID WB ID DB	60.8°F (16.0°C)					64.4°F (18.0°C)					67°F (19.4°C)					71.6°F (22.0°C)				
			73.4°F	77.0°F	80.0°F	80.6°F	84.2°F	73.4°F	77.0°F	80.0°F	80.6°F	84.2°F	73.4°F	77.0°F	80.0°F	80.6°F	84.2°F	73.4°F	77.0°F	80.0°F	80.6°F	84.2°F
			23.0°C	25.0°C	26.7°C	27.0°C	29.0°C	23.0°C	25.0°C	26.7°C	27.0°C	29.0°C	23.0°C	25.0°C	26.7°C	27.0°C	29.0°C	23.0°C	25.0°C	26.7°C	27.0°C	29.0°C
178	50°F (10°C)	TC	30492	30533	30566	30567	30608	32329	32368	32400	32406	32445	34261	34305	34344	34350	34388	36325	36365	36404	36410	36455
		S/T	0.41	0.48	0.55	0.55	0.63	0.44	0.51	0.58	0.58	0.66	0.46	0.54	0.62	0.62	0.70	0.49	0.58	0.65	0.65	0.75
		PI	1.39	1.39	1.39	1.39	1.39	1.47	1.47	1.47	1.47	1.48	1.56	1.56	1.56	1.56	1.56	1.65	1.65	1.66	1.66	1.66
	59°F (15°C)	TC	30375	30416	30449	30450	30491	32206	32244	32276	32282	32321	34130	34174	34213	34219	34257	36187	36226	36265	36271	36316
		S/T	0.41	0.49	0.55	0.55	0.63	0.44	0.52	0.59	0.59	0.67	0.47	0.55	0.62	0.62	0.71	0.49	0.58	0.66	0.66	0.75
		PI	1.58	1.58	1.59	1.59	1.59	1.68	1.68	1.68	1.68	1.68	1.78	1.78	1.78	1.78	1.78	1.88	1.89	1.89	1.89	1.89
	68°F (20°C)	TC	30259	30300	30332	30334	30375	32083	32121	32152	32159	32197	33999	34044	34081	34088	34126	36048	36087	36126	36132	36177
		S/T	0.43	0.50	0.57	0.57	0.65	0.45	0.53	0.60	0.60	0.69	0.48	0.56	0.64	0.64	0.73	0.51	0.59	0.68	0.68	0.77
		PI	1.78	1.78	1.78	1.78	1.78	1.88	1.89	1.89	1.89	1.89	2.00	2.00	2.00	2.00	2.00	2.12	2.12	2.12	2.12	2.12
	77°F (25°C)	TC	30143	30183	30216	30217	30258	31959	31997	32029	32035	32073	33869	33913	33950	33957	33995	35909	35948	35987	35993	36038
		S/T	0.43	0.51	0.57	0.57	0.65	0.46	0.54	0.61	0.61	0.69	0.48	0.57	0.65	0.65	0.74	0.51	0.60	0.68	0.68	0.78
		PI	1.97	1.97	1.98	1.98	1.98	2.09	2.09	2.09	2.09	2.10	2.21	2.22	2.22	2.22	2.22	2.35	2.35	2.35	2.35	2.36
	82°F (27.8°C)	TC	30161	30202	30235	30236	30277	31979	32017	32049	32055	32093	33890	33934	33972	33978	34016	35932	35971	36010	36015	36060
		S/T	0.44	0.51	0.58	0.58	0.66	0.46	0.54	0.62	0.62	0.70	0.49	0.58	0.65	0.65	0.75	0.52	0.61	0.69	0.69	0.79
		PI	2.19	2.20	2.20	2.20	2.20	2.32	2.33	2.33	2.33	2.33	2.46	2.47	2.47	2.47	2.47	2.61	2.61	2.62	2.62	2.62
	86°F (30°C)	TC	30282	30323	30355	30357	30398	32107	32145	32177	32183	32221	34025	34069	34107	34113	34152	36075	36114	36154	36159	36204
		S/T	0.44	0.52	0.59	0.59	0.67	0.47	0.55	0.62	0.62	0.71	0.50	0.58	0.66	0.66	0.75	0.53	0.62	0.70	0.70	0.80
		PI	2.51	2.52	2.52	2.52	2.52	2.66	2.67	2.67	2.67	2.67	2.82	2.83	2.83	2.83	2.83	2.99	3.00	3.00	3.00	3.00
	95°F (35°C)	TC	30553	30594	30627	30628	30669	32394	32432	32464	32471	32509	34329	34374	34412	34419	34457	36398	36437	36477	36483	36528
		S/T	0.44	0.52	0.59	0.59	0.67	0.47	0.55	0.62	0.62	0.71	0.50	0.58	0.66	0.66	0.75	0.53	0.62	0.70	0.70	0.80
		PI	3.23	3.24	3.24	3.24	3.24	3.43	3.43	3.43	3.43	3.44	3.63	3.64	3.64	3.64	3.64	3.85	3.85	3.86	3.86	3.86
	104°F (40°C)	TC	28016	28053	28083	28085	28123	29704	29739	29768	29774	29810	31479	31519	31555	31560	31596	33375	33411	33448	33453	33495
		S/T	0.45	0.53	0.60	0.60	0.69	0.48	0.56	0.64	0.64	0.73	0.51	0.60	0.68	0.68	0.77	0.54	0.63	0.72	0.72	0.82
		PI	3.20	3.20	3.21	3.21	3.21	3.39	3.39	3.40	3.40	3.40	3.59	3.60	3.60	3.60	3.61	3.81	3.81	3.82	3.82	3.82
110°F (43°C)	TC	26493	26529	26557	26559	26594	28090	28123	28151	28156	28190	29768	29807	29840	29846	29879	31562	31596	31630	31635	31675	
	S/T	0.47	0.55	0.63	0.63	0.71	0.50	0.58	0.66	0.66	0.76	0.53	0.62	0.70	0.70	0.80	0.56	0.66	0.75	0.75	0.85	
	PI	3.18	3.18	3.19	3.19	3.19	3.37	3.37	3.38	3.38	3.38	3.57	3.58	3.58	3.58	3.58	3.79	3.79	3.79	3.79	3.80	
115°F (46°C)	TC	22651	22682	22706	22707	22738	24016	24045	24069	24073	24102	25451	25484	25513	25517	25546	26985	27014	27043	27048	27081	
	S/T	0.47	0.56	0.63	0.63	0.72	0.50	0.59	0.67	0.67	0.77	0.53	0.63	0.71	0.71	0.81	0.57	0.66	0.75	0.75	0.86	
	PI	2.85	2.86	2.86	2.86	2.86	3.02	3.03	3.03	3.03	3.04	3.20	3.21	3.21	3.21	3.22	3.40	3.40	3.41	3.41	3.41	
122°F (50°C)	TC	17529	17552	17571	17572	17596	18585	18607	18625	18629	18651	19695	19721	19743	19747	19769	20882	20905	20928	20931	20957	
	S/T	0.49	0.57	0.65	0.65	0.74	0.52	0.60	0.69	0.69	0.78	0.55	0.64	0.73	0.73	0.83	0.58	0.68	0.77	0.77	0.88	
	PI	2.42	2.42	2.42	2.42	2.43	2.56	2.57	2.57	2.57	2.57	2.72	2.72	2.72	2.72	2.73	2.88	2.88	2.89	2.89	2.89	

TC:Total Cooling Capacity (BTU/hr)

S/T:Sensible Cooling Capacity Ratio

PI:Power Input(kW)

18HWMS0-HH-SYS-B Expanded Cooling @ 235 CFM

CFM	OD DB (°F)	ID WB ID DB	60.8°F (16.0°C)					64.4°F (18.0°C)					67°F (19.4°C)					71.6°F (22.0°C)				
			73.4°F	77.0°F	80.0°F	80.6°F	84.2°F	73.4°F	77.0°F	80.0°F	80.6°F	84.2°F	73.4°F	77.0°F	80.0°F	80.6°F	84.2°F	73.4°F	77.0°F	80.0°F	80.6°F	84.2°F
			23.0°C	25.0°C	26.7°C	27.0°C	29.0°C	23.0°C	25.0°C	26.7°C	27.0°C	29.0°C	23.0°C	25.0°C	26.7°C	27.0°C	29.0°C	23.0°C	25.0°C	26.7°C	27.0°C	29.0°C
235	50°F (10°C)	TC	30492	30533	30566	30567	30608	32329	32368	32400	32406	32445	34261	34305	34344	34350	34388	36325	36365	36404	36410	36455
		S/T	0.41	0.48	0.55	0.55	0.63	0.44	0.51	0.58	0.58	0.66	0.46	0.54	0.62	0.62	0.70	0.49	0.58	0.65	0.65	0.75
		PI	1.39	1.39	1.39	1.39	1.39	1.47	1.47	1.47	1.47	1.48	1.56	1.56	1.56	1.56	1.56	1.65	1.65	1.66	1.66	1.66
	59°F (15°C)	TC	30375	30416	30449	30450	30491	32206	32244	32276	32282	32321	34130	34174	34213	34219	34257	36187	36226	36265	36271	36316
		S/T	0.41	0.49	0.55	0.55	0.63	0.44	0.52	0.59	0.59	0.67	0.47	0.55	0.62	0.62	0.71	0.49	0.58	0.66	0.66	0.75
		PI	1.58	1.58	1.59	1.59	1.59	1.68	1.68	1.68	1.68	1.68	1.78	1.78	1.78	1.78	1.78	1.88	1.89	1.89	1.89	1.89
	68°F (20°C)	TC	30259	30300	30332	30334	30375	32083	32121	32152	32159	32197	33999	34044	34081	34088	34126	36048	36087	36126	36132	36177
		S/T	0.43	0.50	0.57	0.57	0.65	0.45	0.53	0.60	0.60	0.69	0.48	0.56	0.64	0.64	0.73	0.51	0.59	0.68	0.68	0.77
		PI	1.78	1.78	1.78	1.78	1.78	1.88	1.89	1.89	1.89	1.89	2.00	2.00	2.00	2.00	2.00	2.12	2.12	2.12	2.12	2.12
	77°F (25°C)	TC	30143	30183	30216	30217	30258	31959	31997	32029	32035	32073	33869	33913	33950	33957	33995	35909	35948	35987	35993	36038
		S/T	0.43	0.51	0.57	0.57	0.65	0.46	0.54	0.61	0.61	0.69	0.48	0.57	0.65	0.65	0.74	0.51	0.60	0.68	0.68	0.78
		PI	1.97	1.97	1.98	1.98	1.98	2.09	2.09	2.09	2.09	2.10	2.21	2.22	2.22	2.22	2.22	2.35	2.35	2.35	2.35	2.36
	82°F (27.8°C)	TC	30161	30202	30235	30236	30277	31979	32017	32049	32055	32093	33890	33934	33972	33978	34016	35932	35971	36010	36015	36060
		S/T	0.44	0.51	0.58	0.58	0.66	0.46	0.54	0.62	0.62	0.70	0.49	0.58	0.65	0.65	0.75	0.52	0.61	0.69	0.69	0.79
		PI	2.19	2.20	2.20	2.20	2.20	2.32	2.33	2.33	2.33	2.33	2.46	2.47	2.47	2.47	2.47	2.61	2.61	2.62	2.62	2.62
	86°F (30°C)	TC	30282	30323	30355	30357	30398	32107	32145	32177	32183	32221	34025	34069	34107	34113	34152	36075	36114	36154	36159	36204
		S/T	0.44	0.52	0.59	0.59	0.67	0.47	0.55	0.62	0.62	0.71	0.50	0.58	0.66	0.66	0.75	0.53	0.62	0.70	0.70	0.80
		PI	2.51	2.52	2.52	2.52	2.52	2.66	2.67	2.67	2.67	2.67	2.82	2.83	2.83	2.83	2.83	2.99	3.00	3.00	3.00	3.00
	95°F (35°C)	TC	30553	30594	30627	30628	30669	32394	32432	32464	32471	32509	34329	34374	34412	34419	34457	36398	36437	36477	36483	36528
		S/T	0.44	0.52	0.59	0.59	0.67	0.47	0.55	0.62	0.62	0.71	0.50	0.58	0.66	0.66	0.75	0.53	0.62	0.70	0.70	0.80
		PI	3.23	3.24	3.24	3.24	3.24	3.43	3.43	3.43	3.43	3.44	3.63	3.64	3.64	3.64	3.64	3.85	3.85	3.86	3.86	3.86
	104°F (40°C)	TC	28016	28053	28083	28085	28123	29704	29739	29768	29774	29810	31479	31519	31555	31560	31596	33375	33411	33448	33453	33495
		S/T	0.45	0.53	0.60	0.60	0.69	0.48	0.56	0.64	0.64	0.73	0.51	0.60	0.68	0.68	0.77	0.54	0.63	0.72	0.72	0.82
		PI	3.20	3.20	3.21	3.21	3.21	3.39	3.39	3.40	3.40	3.40	3.59	3.60	3.60	3.60	3.61	3.81	3.81	3.82	3.82	3.82
110°F (43°C)	TC	26493	26529	26557	26559	26594	28090	28123	28151	28156	28190	29768	29807	29840	29846	29879	31562	31596	31630	31635	31675	
	S/T	0.47	0.55	0.63	0.63	0.71	0.50	0.58	0.66	0.66	0.76	0.53	0.62	0.70	0.70	0.80	0.56	0.66	0.75	0.75	0.85	
	PI	3.18	3.18	3.19	3.19	3.19	3.37	3.37	3.38	3.38	3.38	3.57	3.58	3.58	3.58	3.58	3.79	3.79	3.79	3.79	3.80	
115°F (46°C)	TC	22651	22682	22706	22707	22738	24016	24045	24069	24073	24102	25451	25484	25513	25517	25546	26985	27014	27043	27048	27081	
	S/T	0.47	0.56	0.63	0.63	0.72	0.50	0.59	0.67	0.67	0.77	0.53	0.63	0.71	0.71	0.81	0.57	0.66	0.75	0.75	0.86	
	PI	2.85	2.86	2.86	2.86	2.86	3.02	3.03	3.03	3.03	3.04	3.20	3.21	3.21	3.21	3.22	3.40	3.40	3.41	3.41	3.41	
122°F (50°C)	TC	17529	17552	17571	17572	17596	18585	18607	18625	18629	18651	19695	19721	19743	19747	19769	20882	20905	20928	20931	20957	
	S/T	0.49	0.57	0.65	0.65	0.74	0.52	0.60	0.69	0.69	0.78	0.55	0.64	0.73	0.73	0.83	0.58	0.68	0.77	0.77	0.88	
	PI	2.42	2.42	2.42	2.42	2.43	2.56	2.57	2.57	2.57	2.57	2.72	2.72	2.72	2.72	2.73	2.88	2.88	2.89	2.89	2.89	

TC:Total Cooling Capacity (BTU/hr)

S/T:Sensible Cooling Capacity Ratio

PI:Power Input(kW)

18HWMS0-HH-SYS-B Expanded Cooling @ 294 CFM

CFM	OD DB (°F)	ID WB ID DB	60.8°F (16.0°C)					64.4°F (18.0°C)					67°F (19.4°C)					71.6°F (22.0°C)				
			73.4°F	77.0°F	80.0°F	80.6°F	84.2°F	73.4°F	77.0°F	80.0°F	80.6°F	84.2°F	73.4°F	77.0°F	80.0°F	80.6°F	84.2°F	73.4°F	77.0°F	80.0°F	80.6°F	84.2°F
			23.0°C	25.0°C	26.7°C	27.0°C	29.0°C	23.0°C	25.0°C	26.7°C	27.0°C	29.0°C	23.0°C	25.0°C	26.7°C	27.0°C	29.0°C	23.0°C	25.0°C	26.7°C	27.0°C	29.0°C
294	50°F (10°C)	TC	30492	30533	30566	30567	30608	32329	32368	32400	32406	32445	34261	34305	34344	34350	34388	36325	36365	36404	36410	36455
		S/T	0.41	0.48	0.55	0.55	0.63	0.44	0.51	0.58	0.58	0.66	0.46	0.54	0.62	0.62	0.70	0.49	0.58	0.65	0.65	0.75
		PI	1.39	1.39	1.39	1.39	1.39	1.47	1.47	1.47	1.47	1.48	1.56	1.56	1.56	1.56	1.56	1.65	1.65	1.66	1.66	1.66
	59°F (15°C)	TC	30375	30416	30449	30450	30491	32206	32244	32276	32282	32321	34130	34174	34213	34219	34257	36187	36226	36265	36271	36316
		S/T	0.41	0.49	0.55	0.55	0.63	0.44	0.52	0.59	0.59	0.67	0.47	0.55	0.62	0.62	0.71	0.49	0.58	0.66	0.66	0.75
		PI	1.58	1.58	1.59	1.59	1.59	1.68	1.68	1.68	1.68	1.68	1.78	1.78	1.78	1.78	1.78	1.88	1.89	1.89	1.89	1.89
	68°F (20°C)	TC	30259	30300	30332	30334	30375	32083	32121	32152	32159	32197	33999	34044	34081	34088	34126	36048	36087	36126	36132	36177
		S/T	0.43	0.50	0.57	0.57	0.65	0.45	0.53	0.60	0.60	0.69	0.48	0.56	0.64	0.64	0.73	0.51	0.59	0.68	0.68	0.77
		PI	1.78	1.78	1.78	1.78	1.78	1.88	1.89	1.89	1.89	1.89	2.00	2.00	2.00	2.00	2.00	2.12	2.12	2.12	2.12	2.12
	77°F (25°C)	TC	30143	30183	30216	30217	30258	31959	31997	32029	32035	32073	33869	33913	33950	33957	33995	35909	35948	35987	35993	36038
		S/T	0.43	0.51	0.57	0.57	0.65	0.46	0.54	0.61	0.61	0.69	0.48	0.57	0.65	0.65	0.74	0.51	0.60	0.68	0.68	0.78
		PI	1.97	1.97	1.98	1.98	1.98	2.09	2.09	2.09	2.09	2.10	2.21	2.22	2.22	2.22	2.22	2.35	2.35	2.35	2.35	2.36
	82°F (27.8°C)	TC	30161	30202	30235	30236	30277	31979	32017	32049	32055	32093	33890	33934	33972	33978	34016	35932	35971	36010	36015	36060
		S/T	0.44	0.51	0.58	0.58	0.66	0.46	0.54	0.62	0.62	0.70	0.49	0.58	0.65	0.65	0.75	0.52	0.61	0.69	0.69	0.79
		PI	2.19	2.20	2.20	2.20	2.20	2.32	2.33	2.33	2.33	2.33	2.46	2.47	2.47	2.47	2.47	2.61	2.61	2.62	2.62	2.62
	86°F (30°C)	TC	30282	30323	30355	30357	30398	32107	32145	32177	32183	32221	34025	34069	34107	34113	34152	36075	36114	36154	36159	36204
		S/T	0.44	0.52	0.59	0.59	0.67	0.47	0.55	0.62	0.62	0.71	0.50	0.58	0.66	0.66	0.75	0.53	0.62	0.70	0.70	0.80
		PI	2.51	2.52	2.52	2.52	2.52	2.66	2.67	2.67	2.67	2.67	2.82	2.83	2.83	2.83	2.83	2.99	3.00	3.00	3.00	3.00
	95°F (35°C)	TC	30553	30594	30627	30628	30669	32394	32432	32464	32471	32509	34329	34374	34412	34419	34457	36398	36437	36477	36483	36528
		S/T	0.44	0.52	0.59	0.59	0.67	0.47	0.55	0.62	0.62	0.71	0.50	0.58	0.66	0.66	0.75	0.53	0.62	0.70	0.70	0.80
		PI	3.23	3.24	3.24	3.24	3.24	3.43	3.43	3.43	3.43	3.44	3.63	3.64	3.64	3.64	3.64	3.85	3.85	3.86	3.86	3.86
	104°F (40°C)	TC	28016	28053	28083	28085	28123	29704	29739	29768	29774	29810	31479	31519	31555	31560	31596	33375	33411	33448	33453	33495
		S/T	0.45	0.53	0.60	0.60	0.69	0.48	0.56	0.64	0.64	0.73	0.51	0.60	0.68	0.68	0.77	0.54	0.63	0.72	0.72	0.82
		PI	3.20	3.20	3.21	3.21	3.21	3.39	3.39	3.40	3.40	3.40	3.59	3.60	3.60	3.60	3.61	3.81	3.81	3.82	3.82	3.82
110°F (43°C)	TC	26493	26529	26557	26559	26594	28090	28123	28151	28156	28190	29768	29807	29840	29846	29879	31562	31596	31630	31635	31675	
	S/T	0.47	0.55	0.63	0.63	0.71	0.50	0.58	0.66	0.66	0.76	0.53	0.62	0.70	0.70	0.80	0.56	0.66	0.75	0.75	0.85	
	PI	3.18	3.18	3.19	3.19	3.19	3.37	3.37	3.38	3.38	3.38	3.57	3.58	3.58	3.58	3.58	3.79	3.79	3.79	3.79	3.80	
115°F (46°C)	TC	22651	22682	22706	22707	22738	24016	24045	24069	24073	24102	25451	25484	25513	25517	25546	26985	27014	27043	27048	27081	
	S/T	0.47	0.56	0.63	0.63	0.72	0.50	0.59	0.67	0.67	0.77	0.53	0.63	0.71	0.71	0.81	0.57	0.66	0.75	0.75	0.86	
	PI	2.85	2.86	2.86	2.86	2.86	3.02	3.03	3.03	3.03	3.04	3.20	3.21	3.21	3.21	3.22	3.40	3.40	3.41	3.41	3.41	
122°F (50°C)	TC	17529	17552	17571	17572	17596	18585	18607	18625	18629	18651	19695	19721	19743	19747	19769	20882	20905	20928	20931	20957	
	S/T	0.49	0.57	0.65	0.65	0.74	0.52	0.60	0.69	0.69	0.78	0.55	0.64	0.73	0.73	0.83	0.58	0.68	0.77	0.77	0.88	
	PI	2.42	2.42	2.42	2.42	2.43	2.56	2.57	2.57	2.57	2.57	2.72	2.72	2.72	2.72	2.73	2.88	2.88	2.89	2.89	2.89	

TC:Total Cooling Capacity (BTU/hr)

S/T:Sensible Cooling Capacity Ratio

PI:Power Input(kW)

18HWMS0-HH-SYS-B Expanded Heating @ 141 CFM

CFM	HEATING PERFORMANCE AT INDOOR DRY BULB TEMPERATURE										
	OD DB (°F)	TC : Total Heating Capacity(BTU/hr)					PI : Power Input(kW)				
		Indoor Conditions (DB °F)					Indoor Conditions (DB °F)				
		60.8°F	68°F	70°F	71.6°F	75.2°F	60.8°F	68°F	70°F	71.6°F	75.2°F
141	-22°F	19064	18683	18589	18515	18348	3.82	3.85	3.86	3.86	3.88
	-13°F	25126	24624	24501	24403	24183	4.19	4.23	4.23	4.24	4.26
	-4°F	30034	29433	29286	29169	28906	4.53	4.57	4.58	4.59	4.61
	0°F	31745	31110	30954	30831	30553	4.60	4.63	4.64	4.65	4.67
	5°F	33884	33206	33040	32908	32612	4.68	4.71	4.72	4.73	4.75
	14°F	33008	32348	32186	32057	31769	4.25	4.29	4.30	4.30	4.32
	17°F	32716	32061	31901	31774	31488	4.11	4.14	4.15	4.16	4.18
	22°F	32555	31904	31745	31618	31333	3.89	3.93	3.93	3.94	3.96
	27°F	32394	31747	31588	31461	31178	3.68	3.71	3.72	3.72	3.74
	32°F	32234	31589	31431	31305	31024	3.46	3.49	3.50	3.50	3.52
	35°F	32137	31495	31337	31212	30931	3.33	3.36	3.37	3.37	3.39
	37°F	33645	32972	32807	32676	32382	3.32	3.34	3.35	3.36	3.37
	42°F	37413	36665	36481	36335	36008	3.28	3.31	3.31	3.32	3.33
	44.6°F	38920	38142	37951	37799	37459	3.27	3.29	3.30	3.31	3.32
	47°F	41181	40358	40156	39995	39635	3.24	3.27	3.28	3.28	3.30
	52°F	38704	37930	37740	37589	37251	2.85	2.87	2.87	2.88	2.89
	57°F	36227	35503	35325	35184	34867	2.45	2.47	2.47	2.48	2.49
	59°F	35236	34532	34359	34221	33913	2.29	2.31	2.31	2.31	2.32
62°F	33750	33075	32910	32778	32483	2.05	2.06	2.07	2.07	2.08	
64.4°F	32759	32104	31943	31816	31529	1.89	1.90	1.91	1.91	1.92	

18HWMS0-HH-SYS-B Expanded Heating @ 176 CFM

CFM	HEATING PERFORMANCE AT INDOOR DRY BULB TEMPERATURE										
	OD DB (°F)	TC : Total Heating Capacity(BTU/hr)					PI : Power Input(kW)				
		Indoor Conditions (DB °F)					Indoor Conditions (DB °F)				
		60.8°F	68°F	70°F	71.6°F	75.2°F	60.8°F	68°F	70°F	71.6°F	75.2°F
176	-22°F	19064	18683	18589	18515	18348	3.82	3.85	3.86	3.86	3.88
	-13°F	25126	24624	24501	24403	24183	4.19	4.23	4.23	4.24	4.26
	-4°F	30034	29433	29286	29169	28906	4.53	4.57	4.58	4.59	4.61
	0°F	31745	31110	30954	30831	30553	4.60	4.63	4.64	4.65	4.67
	5°F	33884	33206	33040	32908	32612	4.68	4.71	4.72	4.73	4.75
	14°F	33008	32348	32186	32057	31769	4.25	4.29	4.30	4.30	4.32
	17°F	32716	32061	31901	31774	31488	4.11	4.14	4.15	4.16	4.18
	22°F	32555	31904	31745	31618	31333	3.89	3.93	3.93	3.94	3.96
	27°F	32394	31747	31588	31461	31178	3.68	3.71	3.72	3.72	3.74
	32°F	32234	31589	31431	31305	31024	3.46	3.49	3.50	3.50	3.52
	35°F	32137	31495	31337	31212	30931	3.33	3.36	3.37	3.37	3.39
	37°F	33645	32972	32807	32676	32382	3.32	3.34	3.35	3.36	3.37
	42°F	37413	36665	36481	36335	36008	3.28	3.31	3.31	3.32	3.33
	44.6°F	38920	38142	37951	37799	37459	3.27	3.29	3.30	3.31	3.32
	47°F	41181	40358	40156	39995	39635	3.24	3.27	3.28	3.28	3.30
	52°F	38704	37930	37740	37589	37251	2.85	2.87	2.87	2.88	2.89
	57°F	36227	35503	35325	35184	34867	2.45	2.47	2.47	2.48	2.49
	59°F	35236	34532	34359	34221	33913	2.29	2.31	2.31	2.31	2.32
62°F	33750	33075	32910	32778	32483	2.05	2.06	2.07	2.07	2.08	
64.4°F	32759	32104	31943	31816	31529	1.89	1.90	1.91	1.91	1.92	

18HWMS0-HH-SYS-B Expanded Heating @ 235 CFM

CFM	HEATING PERFORMANCE AT INDOOR DRY BULB TEMPERATURE										
	OD DB (°F)	TC : Total Heating Capacity(BTU/hr)					PI : Power Input(kW)				
		Indoor Conditions (DB °F)					Indoor Conditions (DB °F)				
		60.8°F	68°F	70°F	71.6°F	75.2°F	60.8°F	68°F	70°F	71.6°F	75.2°F
235	-22°F	19064	18683	18589	18515	18348	3.82	3.85	3.86	3.86	3.88
	-13°F	25126	24624	24501	24403	24183	4.19	4.23	4.23	4.24	4.26
	-4°F	30034	29433	29286	29169	28906	4.53	4.57	4.58	4.59	4.61
	0°F	31745	31110	30954	30831	30553	4.60	4.63	4.64	4.65	4.67
	5°F	33884	33206	33040	32908	32612	4.68	4.71	4.72	4.73	4.75
	14°F	33008	32348	32186	32057	31769	4.25	4.29	4.30	4.30	4.32
	17°F	32716	32061	31901	31774	31488	4.11	4.14	4.15	4.16	4.18
	22°F	32555	31904	31745	31618	31333	3.89	3.93	3.93	3.94	3.96
	27°F	32394	31747	31588	31461	31178	3.68	3.71	3.72	3.72	3.74
	32°F	32234	31589	31431	31305	31024	3.46	3.49	3.50	3.50	3.52
	35°F	32137	31495	31337	31212	30931	3.33	3.36	3.37	3.37	3.39
	37°F	33645	32972	32807	32676	32382	3.32	3.34	3.35	3.36	3.37
	42°F	37413	36665	36481	36335	36008	3.28	3.31	3.31	3.32	3.33
	44.6°F	38920	38142	37951	37799	37459	3.27	3.29	3.30	3.31	3.32
	47°F	41181	40358	40156	39995	39635	3.24	3.27	3.28	3.28	3.30
	52°F	38704	37930	37740	37589	37251	2.85	2.87	2.87	2.88	2.89
	57°F	36227	35503	35325	35184	34867	2.45	2.47	2.47	2.48	2.49
	59°F	35236	34532	34359	34221	33913	2.29	2.31	2.31	2.31	2.32
62°F	33750	33075	32910	32778	32483	2.05	2.06	2.07	2.07	2.08	
64.4°F	32759	32104	31943	31816	31529	1.89	1.90	1.91	1.91	1.92	

18HWMS0-HH-SYS-B Expanded Heating @ 294 CFM

CFM	HEATING PERFORMANCE AT INDOOR DRY BULB TEMPERATURE										
	OD DB (°F)	TC : Total Heating Capacity(BTU/hr)					PI : Power Input(kW)				
		Indoor Conditions (DB °F)					Indoor Conditions (DB °F)				
		60.8°F	68°F	70°F	71.6°F	75.2°F	60.8°F	68°F	70°F	71.6°F	75.2°F
294	-22°F	19064	18683	18589	18515	18348	3.82	3.85	3.86	3.86	3.88
	-13°F	25126	24624	24501	24403	24183	4.19	4.23	4.23	4.24	4.26
	-4°F	30034	29433	29286	29169	28906	4.53	4.57	4.58	4.59	4.61
	0°F	31745	31110	30954	30831	30553	4.60	4.63	4.64	4.65	4.67
	5°F	33884	33206	33040	32908	32612	4.68	4.71	4.72	4.73	4.75
	14°F	33008	32348	32186	32057	31769	4.25	4.29	4.30	4.30	4.32
	17°F	32716	32061	31901	31774	31488	4.11	4.14	4.15	4.16	4.18
	22°F	32555	31904	31745	31618	31333	3.89	3.93	3.93	3.94	3.96
	27°F	32394	31747	31588	31461	31178	3.68	3.71	3.72	3.72	3.74
	32°F	32234	31589	31431	31305	31024	3.46	3.49	3.50	3.50	3.52
	35°F	32137	31495	31337	31212	30931	3.33	3.36	3.37	3.37	3.39
	37°F	33645	32972	32807	32676	32382	3.32	3.34	3.35	3.36	3.37
	42°F	37413	36665	36481	36335	36008	3.28	3.31	3.31	3.32	3.33
	44.6°F	38920	38142	37951	37799	37459	3.27	3.29	3.30	3.31	3.32
	47°F	41181	40358	40156	39995	39635	3.24	3.27	3.28	3.28	3.30
	52°F	38704	37930	37740	37589	37251	2.85	2.87	2.87	2.88	2.89
	57°F	36227	35503	35325	35184	34867	2.45	2.47	2.47	2.48	2.49
	59°F	35236	34532	34359	34221	33913	2.29	2.31	2.31	2.31	2.32
62°F	33750	33075	32910	32778	32483	2.05	2.06	2.07	2.07	2.08	
64.4°F	32759	32104	31943	31816	31529	1.89	1.90	1.91	1.91	1.92	

24HWMS0-HH-SYS-B Expanded Cooling @ 141 CFM

CFM	OD DB (°F)	ID WB ID DB	60.8°F (16.0°C)					64.4°F (18.0°C)					67°F (19.4°C)					71.6°F (22.0°C)				
			73.4°F	77.0°F	80.0°F	80.6°F	84.2°F	73.4°F	77.0°F	80.0°F	80.6°F	84.2°F	73.4°F	77.0°F	80.0°F	80.6°F	84.2°F	73.4°F	77.0°F	80.0°F	80.6°F	84.2°F
			23.0°C	25.0°C	26.7°C	27.0°C	29.0°C	23.0°C	25.0°C	26.7°C	27.0°C	29.0°C	23.0°C	25.0°C	26.7°C	27.0°C	29.0°C	23.0°C	25.0°C	26.7°C	27.0°C	29.0°C
141	50°F (10°C)	TC	30492	30533	30566	30567	30608	32329	32368	32400	32406	32445	34261	34305	34344	34350	34388	36325	36365	36404	36410	36455
		S/T	0.41	0.48	0.55	0.55	0.63	0.44	0.51	0.58	0.58	0.66	0.46	0.54	0.62	0.62	0.70	0.49	0.58	0.65	0.65	0.75
		PI	1.39	1.39	1.39	1.39	1.39	1.47	1.47	1.47	1.47	1.48	1.56	1.56	1.56	1.56	1.56	1.65	1.65	1.66	1.66	1.66
	59°F (15°C)	TC	30375	30416	30449	30450	30491	32206	32244	32276	32282	32321	34130	34174	34213	34219	34257	36187	36226	36265	36271	36316
		S/T	0.41	0.49	0.55	0.55	0.63	0.44	0.52	0.59	0.59	0.67	0.47	0.55	0.62	0.62	0.71	0.49	0.58	0.66	0.66	0.75
		PI	1.58	1.58	1.59	1.59	1.59	1.68	1.68	1.68	1.68	1.68	1.78	1.78	1.78	1.78	1.78	1.88	1.89	1.89	1.89	1.89
	68°F (20°C)	TC	30259	30300	30332	30334	30375	32083	32121	32152	32159	32197	33999	34044	34081	34088	34126	36048	36087	36126	36132	36177
		S/T	0.43	0.50	0.57	0.57	0.65	0.45	0.53	0.60	0.60	0.69	0.48	0.56	0.64	0.64	0.73	0.51	0.59	0.68	0.68	0.77
		PI	1.78	1.78	1.78	1.78	1.78	1.88	1.89	1.89	1.89	1.89	2.00	2.00	2.00	2.00	2.00	2.12	2.12	2.12	2.12	2.12
	77°F (25°C)	TC	30143	30183	30216	30217	30258	31959	31997	32029	32035	32073	33869	33913	33950	33957	33995	35909	35948	35987	35993	36038
		S/T	0.43	0.51	0.57	0.57	0.65	0.46	0.54	0.61	0.61	0.69	0.48	0.57	0.65	0.65	0.74	0.51	0.60	0.68	0.68	0.78
		PI	1.97	1.97	1.98	1.98	1.98	2.09	2.09	2.09	2.09	2.10	2.21	2.22	2.22	2.22	2.22	2.35	2.35	2.35	2.35	2.36
	82°F (27.8°C)	TC	30161	30202	30235	30236	30277	31979	32017	32049	32055	32093	33890	33934	33972	33978	34016	35932	35971	36010	36015	36060
		S/T	0.44	0.51	0.58	0.58	0.66	0.46	0.54	0.62	0.62	0.70	0.49	0.58	0.65	0.65	0.75	0.52	0.61	0.69	0.69	0.79
		PI	2.19	2.20	2.20	2.20	2.20	2.32	2.33	2.33	2.33	2.33	2.46	2.47	2.47	2.47	2.47	2.61	2.61	2.62	2.62	2.62
	86°F (30°C)	TC	30282	30323	30355	30357	30398	32107	32145	32177	32183	32221	34025	34069	34107	34113	34152	36075	36114	36154	36159	36204
		S/T	0.44	0.52	0.59	0.59	0.67	0.47	0.55	0.62	0.62	0.71	0.50	0.58	0.66	0.66	0.75	0.53	0.62	0.70	0.70	0.80
		PI	2.51	2.52	2.52	2.52	2.52	2.66	2.67	2.67	2.67	2.67	2.82	2.83	2.83	2.83	2.83	2.99	3.00	3.00	3.00	3.00
	95°F (35°C)	TC	30553	30594	30627	30628	30669	32394	32432	32464	32471	32509	34329	34374	34412	34419	34457	36398	36437	36477	36483	36528
		S/T	0.44	0.52	0.59	0.59	0.67	0.47	0.55	0.62	0.62	0.71	0.50	0.58	0.66	0.66	0.75	0.53	0.62	0.70	0.70	0.80
		PI	3.23	3.24	3.24	3.24	3.24	3.43	3.43	3.43	3.43	3.44	3.63	3.64	3.64	3.64	3.64	3.85	3.85	3.86	3.86	3.86
	104°F (40°C)	TC	28016	28053	28083	28085	28123	29704	29739	29768	29774	29810	31479	31519	31555	31560	31596	33375	33411	33448	33453	33495
		S/T	0.45	0.53	0.60	0.60	0.69	0.48	0.56	0.64	0.64	0.73	0.51	0.60	0.68	0.68	0.77	0.54	0.63	0.72	0.72	0.82
		PI	3.20	3.20	3.21	3.21	3.21	3.39	3.39	3.40	3.40	3.40	3.59	3.60	3.60	3.60	3.61	3.81	3.81	3.82	3.82	3.82
110°F (43°C)	TC	26493	26529	26557	26559	26594	28090	28123	28151	28156	28190	29768	29807	29840	29846	29879	31562	31596	31630	31635	31675	
	S/T	0.47	0.55	0.63	0.63	0.71	0.50	0.58	0.66	0.66	0.76	0.53	0.62	0.70	0.70	0.80	0.56	0.66	0.75	0.75	0.85	
	PI	3.18	3.18	3.19	3.19	3.19	3.37	3.37	3.38	3.38	3.38	3.57	3.58	3.58	3.58	3.58	3.79	3.79	3.79	3.79	3.80	
115°F (46°C)	TC	22651	22682	22706	22707	22738	24016	24045	24069	24073	24102	25451	25484	25513	25517	25546	26985	27014	27043	27048	27081	
	S/T	0.47	0.56	0.63	0.63	0.72	0.50	0.59	0.67	0.67	0.77	0.53	0.63	0.71	0.71	0.81	0.57	0.66	0.75	0.75	0.86	
	PI	2.85	2.86	2.86	2.86	2.86	3.02	3.03	3.03	3.03	3.04	3.20	3.21	3.21	3.21	3.22	3.40	3.40	3.41	3.41	3.41	
122°F (50°C)	TC	17529	17552	17571	17572	17596	18585	18607	18625	18629	18651	19695	19721	19743	19747	19769	20882	20905	20928	20931	20957	
	S/T	0.49	0.57	0.65	0.65	0.74	0.52	0.60	0.69	0.69	0.78	0.55	0.64	0.73	0.73	0.83	0.58	0.68	0.77	0.77	0.88	
	PI	2.42	2.42	2.42	2.42	2.43	2.56	2.57	2.57	2.57	2.57	2.72	2.72	2.72	2.72	2.73	2.88	2.88	2.89	2.89	2.89	

TC:Total Cooling Capacity (BTU/hr)

S/T:Sensible Cooling Capacity Ratio

PI:Power Input(kW)

24HWMS0-HH-SYS-B Expanded Cooling @ 178 CFM

CFM	OD DB (°F)	ID WB ID DB	60.8°F (16.0°C)					64.4°F (18.0°C)					67°F (19.4°C)					71.6°F (22.0°C)				
			73.4°F	77.0°F	80.0°F	80.6°F	84.2°F	73.4°F	77.0°F	80.0°F	80.6°F	84.2°F	73.4°F	77.0°F	80.0°F	80.6°F	84.2°F	73.4°F	77.0°F	80.0°F	80.6°F	84.2°F
			23.0°C	25.0°C	26.7°C	27.0°C	29.0°C	23.0°C	25.0°C	26.7°C	27.0°C	29.0°C	23.0°C	25.0°C	26.7°C	27.0°C	29.0°C	23.0°C	25.0°C	26.7°C	27.0°C	29.0°C
178	50°F (10°C)	TC	30492	30533	30566	30567	30608	32329	32368	32400	32406	32445	34261	34305	34344	34350	34388	36325	36365	36404	36410	36455
		S/T	0.41	0.48	0.55	0.55	0.63	0.44	0.51	0.58	0.58	0.66	0.46	0.54	0.62	0.62	0.70	0.49	0.58	0.65	0.65	0.75
		PI	1.39	1.39	1.39	1.39	1.39	1.47	1.47	1.47	1.47	1.48	1.56	1.56	1.56	1.56	1.56	1.65	1.65	1.66	1.66	1.66
	59°F (15°C)	TC	30375	30416	30449	30450	30491	32206	32244	32276	32282	32321	34130	34174	34213	34219	34257	36187	36226	36265	36271	36316
		S/T	0.41	0.49	0.55	0.55	0.63	0.44	0.52	0.59	0.59	0.67	0.47	0.55	0.62	0.62	0.71	0.49	0.58	0.66	0.66	0.75
		PI	1.58	1.58	1.59	1.59	1.59	1.68	1.68	1.68	1.68	1.68	1.78	1.78	1.78	1.78	1.78	1.88	1.89	1.89	1.89	1.89
	68°F (20°C)	TC	30259	30300	30332	30334	30375	32083	32121	32152	32159	32197	33999	34044	34081	34088	34126	36048	36087	36126	36132	36177
		S/T	0.43	0.50	0.57	0.57	0.65	0.45	0.53	0.60	0.60	0.69	0.48	0.56	0.64	0.64	0.73	0.51	0.59	0.68	0.68	0.77
		PI	1.78	1.78	1.78	1.78	1.78	1.88	1.89	1.89	1.89	1.89	2.00	2.00	2.00	2.00	2.00	2.12	2.12	2.12	2.12	2.12
	77°F (25°C)	TC	30143	30183	30216	30217	30258	31959	31997	32029	32035	32073	33869	33913	33950	33957	33995	35909	35948	35987	35993	36038
		S/T	0.43	0.51	0.57	0.57	0.65	0.46	0.54	0.61	0.61	0.69	0.48	0.57	0.65	0.65	0.74	0.51	0.60	0.68	0.68	0.78
		PI	1.97	1.97	1.98	1.98	1.98	2.09	2.09	2.09	2.09	2.10	2.21	2.22	2.22	2.22	2.22	2.35	2.35	2.35	2.35	2.36
	82°F (27.8°C)	TC	30161	30202	30235	30236	30277	31979	32017	32049	32055	32093	33890	33934	33972	33978	34016	35932	35971	36010	36015	36060
		S/T	0.44	0.51	0.58	0.58	0.66	0.46	0.54	0.62	0.62	0.70	0.49	0.58	0.65	0.65	0.75	0.52	0.61	0.69	0.69	0.79
		PI	2.19	2.20	2.20	2.20	2.20	2.32	2.33	2.33	2.33	2.33	2.46	2.47	2.47	2.47	2.47	2.61	2.61	2.62	2.62	2.62
	86°F (30°C)	TC	30282	30323	30355	30357	30398	32107	32145	32177	32183	32221	34025	34069	34107	34113	34152	36075	36114	36154	36159	36204
		S/T	0.44	0.52	0.59	0.59	0.67	0.47	0.55	0.62	0.62	0.71	0.50	0.58	0.66	0.66	0.75	0.53	0.62	0.70	0.70	0.80
		PI	2.51	2.52	2.52	2.52	2.52	2.66	2.67	2.67	2.67	2.67	2.82	2.83	2.83	2.83	2.83	2.99	3.00	3.00	3.00	3.00
	95°F (35°C)	TC	30553	30594	30627	30628	30669	32394	32432	32464	32471	32509	34329	34374	34412	34419	34457	36398	36437	36477	36483	36528
		S/T	0.44	0.52	0.59	0.59	0.67	0.47	0.55	0.62	0.62	0.71	0.50	0.58	0.66	0.66	0.75	0.53	0.62	0.70	0.70	0.80
		PI	3.23	3.24	3.24	3.24	3.24	3.43	3.43	3.43	3.43	3.44	3.63	3.64	3.64	3.64	3.64	3.85	3.85	3.86	3.86	3.86
	104°F (40°C)	TC	28016	28053	28083	28085	28123	29704	29739	29768	29774	29810	31479	31519	31555	31560	31596	33375	33411	33448	33453	33495
		S/T	0.45	0.53	0.60	0.60	0.69	0.48	0.56	0.64	0.64	0.73	0.51	0.60	0.68	0.68	0.77	0.54	0.63	0.72	0.72	0.82
		PI	3.20	3.20	3.21	3.21	3.21	3.39	3.39	3.40	3.40	3.40	3.59	3.60	3.60	3.60	3.61	3.81	3.81	3.82	3.82	3.82
110°F (43°C)	TC	26493	26529	26557	26559	26594	28090	28123	28151	28156	28190	29768	29807	29840	29846	29879	31562	31596	31630	31635	31675	
	S/T	0.47	0.55	0.63	0.63	0.71	0.50	0.58	0.66	0.66	0.76	0.53	0.62	0.70	0.70	0.80	0.56	0.66	0.75	0.75	0.85	
	PI	3.18	3.18	3.19	3.19	3.19	3.37	3.37	3.38	3.38	3.38	3.57	3.58	3.58	3.58	3.58	3.79	3.79	3.79	3.79	3.80	
115°F (46°C)	TC	22651	22682	22706	22707	22738	24016	24045	24069	24073	24102	25451	25484	25513	25517	25546	26985	27014	27043	27048	27081	
	S/T	0.47	0.56	0.63	0.63	0.72	0.50	0.59	0.67	0.67	0.77	0.53	0.63	0.71	0.71	0.81	0.57	0.66	0.75	0.75	0.86	
	PI	2.85	2.86	2.86	2.86	2.86	3.02	3.03	3.03	3.03	3.04	3.20	3.21	3.21	3.21	3.22	3.40	3.40	3.41	3.41	3.41	
122°F (50°C)	TC	17529	17552	17571	17572	17596	18585	18607	18625	18629	18651	19695	19721	19743	19747	19769	20882	20905	20928	20931	20957	
	S/T	0.49	0.57	0.65	0.65	0.74	0.52	0.60	0.69	0.69	0.78	0.55	0.64	0.73	0.73	0.83	0.58	0.68	0.77	0.77	0.88	
	PI	2.42	2.42	2.42	2.42	2.43	2.56	2.57	2.57	2.57	2.57	2.72	2.72	2.72	2.72	2.73	2.88	2.88	2.89	2.89	2.89	

TC:Total Cooling Capacity (BTU/hr)

S/T:Sensible Cooling Capacity Ratio

PI:Power Input(kW)

24HWMS0-HH-SYS-B Expanded Cooling @ 235 CFM

CFM	OD DB (°F)	ID WB ID DB	60.8°F (16.0°C)					64.4°F (18.0°C)					67°F (19.4°C)					71.6°F (22.0°C)				
			73.4°F	77.0°F	80.0°F	80.6°F	84.2°F	73.4°F	77.0°F	80.0°F	80.6°F	84.2°F	73.4°F	77.0°F	80.0°F	80.6°F	84.2°F	73.4°F	77.0°F	80.0°F	80.6°F	84.2°F
			23.0°C	25.0°C	26.7°C	27.0°C	29.0°C	23.0°C	25.0°C	26.7°C	27.0°C	29.0°C	23.0°C	25.0°C	26.7°C	27.0°C	29.0°C	23.0°C	25.0°C	26.7°C	27.0°C	29.0°C
235	50°F (10°C)	TC	30492	30533	30566	30567	30608	32329	32368	32400	32406	32445	34261	34305	34344	34350	34388	36325	36365	36404	36410	36455
		S/T	0.41	0.48	0.55	0.55	0.63	0.44	0.51	0.58	0.58	0.66	0.46	0.54	0.62	0.62	0.70	0.49	0.58	0.65	0.65	0.75
		PI	1.39	1.39	1.39	1.39	1.39	1.47	1.47	1.47	1.47	1.48	1.56	1.56	1.56	1.56	1.56	1.65	1.65	1.66	1.66	1.66
	59°F (15°C)	TC	30375	30416	30449	30450	30491	32206	32244	32276	32282	32321	34130	34174	34213	34219	34257	36187	36226	36265	36271	36316
		S/T	0.41	0.49	0.55	0.55	0.63	0.44	0.52	0.59	0.59	0.67	0.47	0.55	0.62	0.62	0.71	0.49	0.58	0.66	0.66	0.75
		PI	1.58	1.58	1.59	1.59	1.59	1.68	1.68	1.68	1.68	1.68	1.78	1.78	1.78	1.78	1.78	1.88	1.89	1.89	1.89	1.89
	68°F (20°C)	TC	30259	30300	30332	30334	30375	32083	32121	32152	32159	32197	33999	34044	34081	34088	34126	36048	36087	36126	36132	36177
		S/T	0.43	0.50	0.57	0.57	0.65	0.45	0.53	0.60	0.60	0.69	0.48	0.56	0.64	0.64	0.73	0.51	0.59	0.68	0.68	0.77
		PI	1.78	1.78	1.78	1.78	1.78	1.88	1.89	1.89	1.89	1.89	2.00	2.00	2.00	2.00	2.00	2.12	2.12	2.12	2.12	2.12
	77°F (25°C)	TC	30143	30183	30216	30217	30258	31959	31997	32029	32035	32073	33869	33913	33950	33957	33995	35909	35948	35987	35993	36038
		S/T	0.43	0.51	0.57	0.57	0.65	0.46	0.54	0.61	0.61	0.69	0.48	0.57	0.65	0.65	0.74	0.51	0.60	0.68	0.68	0.78
		PI	1.97	1.97	1.98	1.98	1.98	2.09	2.09	2.09	2.09	2.10	2.21	2.22	2.22	2.22	2.22	2.35	2.35	2.35	2.35	2.36
	82°F (27.8°C)	TC	30161	30202	30235	30236	30277	31979	32017	32049	32055	32093	33890	33934	33972	33978	34016	35932	35971	36010	36015	36060
		S/T	0.44	0.51	0.58	0.58	0.66	0.46	0.54	0.62	0.62	0.70	0.49	0.58	0.65	0.65	0.75	0.52	0.61	0.69	0.69	0.79
		PI	2.19	2.20	2.20	2.20	2.20	2.32	2.33	2.33	2.33	2.33	2.46	2.47	2.47	2.47	2.47	2.61	2.61	2.62	2.62	2.62
	86°F (30°C)	TC	30282	30323	30355	30357	30398	32107	32145	32177	32183	32221	34025	34069	34107	34113	34152	36075	36114	36154	36159	36204
		S/T	0.44	0.52	0.59	0.59	0.67	0.47	0.55	0.62	0.62	0.71	0.50	0.58	0.66	0.66	0.75	0.53	0.62	0.70	0.70	0.80
		PI	2.51	2.52	2.52	2.52	2.52	2.66	2.67	2.67	2.67	2.67	2.82	2.83	2.83	2.83	2.83	2.99	3.00	3.00	3.00	3.00
	95°F (35°C)	TC	30553	30594	30627	30628	30669	32394	32432	32464	32471	32509	34329	34374	34412	34419	34457	36398	36437	36477	36483	36528
		S/T	0.44	0.52	0.59	0.59	0.67	0.47	0.55	0.62	0.62	0.71	0.50	0.58	0.66	0.66	0.75	0.53	0.62	0.70	0.70	0.80
		PI	3.23	3.24	3.24	3.24	3.24	3.43	3.43	3.43	3.43	3.44	3.63	3.64	3.64	3.64	3.64	3.85	3.85	3.86	3.86	3.86
	104°F (40°C)	TC	28016	28053	28083	28085	28123	29704	29739	29768	29774	29810	31479	31519	31555	31560	31596	33375	33411	33448	33453	33495
		S/T	0.45	0.53	0.60	0.60	0.69	0.48	0.56	0.64	0.64	0.73	0.51	0.60	0.68	0.68	0.77	0.54	0.63	0.72	0.72	0.82
		PI	3.20	3.20	3.21	3.21	3.21	3.39	3.39	3.40	3.40	3.40	3.59	3.60	3.60	3.60	3.61	3.81	3.81	3.82	3.82	3.82
110°F (43°C)	TC	26493	26529	26557	26559	26594	28090	28123	28151	28156	28190	29768	29807	29840	29846	29879	31562	31596	31630	31635	31675	
	S/T	0.47	0.55	0.63	0.63	0.71	0.50	0.58	0.66	0.66	0.76	0.53	0.62	0.70	0.70	0.80	0.56	0.66	0.75	0.75	0.85	
	PI	3.18	3.18	3.19	3.19	3.19	3.37	3.37	3.38	3.38	3.38	3.57	3.58	3.58	3.58	3.58	3.79	3.79	3.79	3.79	3.80	
115°F (46°C)	TC	22651	22682	22706	22707	22738	24016	24045	24069	24073	24102	25451	25484	25513	25517	25546	26985	27014	27043	27048	27081	
	S/T	0.47	0.56	0.63	0.63	0.72	0.50	0.59	0.67	0.67	0.77	0.53	0.63	0.71	0.71	0.81	0.57	0.66	0.75	0.75	0.86	
	PI	2.85	2.86	2.86	2.86	2.86	3.02	3.03	3.03	3.03	3.04	3.20	3.21	3.21	3.21	3.22	3.40	3.40	3.41	3.41	3.41	
122°F (50°C)	TC	17529	17552	17571	17572	17596	18585	18607	18625	18629	18651	19695	19721	19743	19747	19769	20882	20905	20928	20931	20957	
	S/T	0.49	0.57	0.65	0.65	0.74	0.52	0.60	0.69	0.69	0.78	0.55	0.64	0.73	0.73	0.83	0.58	0.68	0.77	0.77	0.88	
	PI	2.42	2.42	2.42	2.42	2.43	2.56	2.57	2.57	2.57	2.57	2.72	2.72	2.72	2.72	2.73	2.88	2.88	2.89	2.89	2.89	

TC:Total Cooling Capacity (BTU/hr)

S/T:Sensible Cooling Capacity Ratio

PI:Power Input(kW)

24HWMS0-HH-SYS-B Expanded Cooling @ 294 CFM

CFM	OD DB (°F)	ID WB ID DB	60.8°F (16.0°C)					64.4°F (18.0°C)					67°F (19.4°C)					71.6°F (22.0°C)				
			73.4°F	77.0°F	80.0°F	80.6°F	84.2°F	73.4°F	77.0°F	80.0°F	80.6°F	84.2°F	73.4°F	77.0°F	80.0°F	80.6°F	84.2°F	73.4°F	77.0°F	80.0°F	80.6°F	84.2°F
			23.0°C	25.0°C	26.7°C	27.0°C	29.0°C	23.0°C	25.0°C	26.7°C	27.0°C	29.0°C	23.0°C	25.0°C	26.7°C	27.0°C	29.0°C	23.0°C	25.0°C	26.7°C	27.0°C	29.0°C
294	50°F (10°C)	TC	30492	30533	30566	30567	30608	32329	32368	32400	32406	32445	34261	34305	34344	34350	34388	36325	36365	36404	36410	36455
		S/T	0.41	0.48	0.55	0.55	0.63	0.44	0.51	0.58	0.58	0.66	0.46	0.54	0.62	0.62	0.70	0.49	0.58	0.65	0.65	0.75
		PI	1.39	1.39	1.39	1.39	1.39	1.47	1.47	1.47	1.47	1.48	1.56	1.56	1.56	1.56	1.56	1.65	1.65	1.66	1.66	1.66
	59°F (15°C)	TC	30375	30416	30449	30450	30491	32206	32244	32276	32282	32321	34130	34174	34213	34219	34257	36187	36226	36265	36271	36316
		S/T	0.41	0.49	0.55	0.55	0.63	0.44	0.52	0.59	0.59	0.67	0.47	0.55	0.62	0.62	0.71	0.49	0.58	0.66	0.66	0.75
		PI	1.58	1.58	1.59	1.59	1.59	1.68	1.68	1.68	1.68	1.68	1.78	1.78	1.78	1.78	1.78	1.88	1.89	1.89	1.89	1.89
	68°F (20°C)	TC	30259	30300	30332	30334	30375	32083	32121	32152	32159	32197	33999	34044	34081	34088	34126	36048	36087	36126	36132	36177
		S/T	0.43	0.50	0.57	0.57	0.65	0.45	0.53	0.60	0.60	0.69	0.48	0.56	0.64	0.64	0.73	0.51	0.59	0.68	0.68	0.77
		PI	1.78	1.78	1.78	1.78	1.78	1.88	1.89	1.89	1.89	1.89	2.00	2.00	2.00	2.00	2.00	2.12	2.12	2.12	2.12	2.12
	77°F (25°C)	TC	30143	30183	30216	30217	30258	31959	31997	32029	32035	32073	33869	33913	33950	33957	33995	35909	35948	35987	35993	36038
		S/T	0.43	0.51	0.57	0.57	0.65	0.46	0.54	0.61	0.61	0.69	0.48	0.57	0.65	0.65	0.74	0.51	0.60	0.68	0.68	0.78
		PI	1.97	1.97	1.98	1.98	1.98	2.09	2.09	2.09	2.09	2.10	2.21	2.22	2.22	2.22	2.22	2.35	2.35	2.35	2.35	2.36
	82°F (27.8°C)	TC	30161	30202	30235	30236	30277	31979	32017	32049	32055	32093	33890	33934	33972	33978	34016	35932	35971	36010	36015	36060
		S/T	0.44	0.51	0.58	0.58	0.66	0.46	0.54	0.62	0.62	0.70	0.49	0.58	0.65	0.65	0.75	0.52	0.61	0.69	0.69	0.79
		PI	2.19	2.20	2.20	2.20	2.20	2.32	2.33	2.33	2.33	2.33	2.46	2.47	2.47	2.47	2.47	2.61	2.61	2.62	2.62	2.62
	86°F (30°C)	TC	30282	30323	30355	30357	30398	32107	32145	32177	32183	32221	34025	34069	34107	34113	34152	36075	36114	36154	36159	36204
		S/T	0.44	0.52	0.59	0.59	0.67	0.47	0.55	0.62	0.62	0.71	0.50	0.58	0.66	0.66	0.75	0.53	0.62	0.70	0.70	0.80
		PI	2.51	2.52	2.52	2.52	2.52	2.66	2.67	2.67	2.67	2.67	2.82	2.83	2.83	2.83	2.83	2.99	3.00	3.00	3.00	3.00
	95°F (35°C)	TC	30553	30594	30627	30628	30669	32394	32432	32464	32471	32509	34329	34374	34412	34419	34457	36398	36437	36477	36483	36528
		S/T	0.44	0.52	0.59	0.59	0.67	0.47	0.55	0.62	0.62	0.71	0.50	0.58	0.66	0.66	0.75	0.53	0.62	0.70	0.70	0.80
		PI	3.23	3.24	3.24	3.24	3.24	3.43	3.43	3.43	3.43	3.44	3.63	3.64	3.64	3.64	3.64	3.85	3.85	3.86	3.86	3.86
	104°F (40°C)	TC	28016	28053	28083	28085	28123	29704	29739	29768	29774	29810	31479	31519	31555	31560	31596	33375	33411	33448	33453	33495
		S/T	0.45	0.53	0.60	0.60	0.69	0.48	0.56	0.64	0.64	0.73	0.51	0.60	0.68	0.68	0.77	0.54	0.63	0.72	0.72	0.82
		PI	3.20	3.20	3.21	3.21	3.21	3.39	3.39	3.40	3.40	3.40	3.59	3.60	3.60	3.60	3.61	3.81	3.81	3.82	3.82	3.82
110°F (43°C)	TC	26493	26529	26557	26559	26594	28090	28123	28151	28156	28190	29768	29807	29840	29846	29879	31562	31596	31630	31635	31675	
	S/T	0.47	0.55	0.63	0.63	0.71	0.50	0.58	0.66	0.66	0.76	0.53	0.62	0.70	0.70	0.80	0.56	0.66	0.75	0.75	0.85	
	PI	3.18	3.18	3.19	3.19	3.19	3.37	3.37	3.38	3.38	3.38	3.57	3.58	3.58	3.58	3.58	3.79	3.79	3.79	3.79	3.80	
115°F (46°C)	TC	22651	22682	22706	22707	22738	24016	24045	24069	24073	24102	25451	25484	25513	25517	25546	26985	27014	27043	27048	27081	
	S/T	0.47	0.56	0.63	0.63	0.72	0.50	0.59	0.67	0.67	0.77	0.53	0.63	0.71	0.71	0.81	0.57	0.66	0.75	0.75	0.86	
	PI	2.85	2.86	2.86	2.86	2.86	3.02	3.03	3.03	3.03	3.04	3.20	3.21	3.21	3.21	3.22	3.40	3.40	3.41	3.41	3.41	
122°F (50°C)	TC	17529	17552	17571	17572	17596	18585	18607	18625	18629	18651	19695	19721	19743	19747	19769	20882	20905	20928	20931	20957	
	S/T	0.49	0.57	0.65	0.65	0.74	0.52	0.60	0.69	0.69	0.78	0.55	0.64	0.73	0.73	0.83	0.58	0.68	0.77	0.77	0.88	
	PI	2.42	2.42	2.42	2.42	2.43	2.56	2.57	2.57	2.57	2.57	2.72	2.72	2.72	2.72	2.73	2.88	2.88	2.89	2.89	2.89	

TC:Total Cooling Capacity (BTU/hr)

S/T:Sensible Cooling Capacity Ratio

PI:Power Input(kW)

24HWMS0-HH-SYS-B Expanded Heating @ 141 CFM

CFM	HEATING PERFORMANCE AT INDOOR DRY BULB TEMPERATURE										
	OD DB (°F)	TC : Total Heating Capacity(BTU/hr)					PI : Power Input(kW)				
		Indoor Conditions (DB °F)					Indoor Conditions (DB °F)				
		60.8°F	68°F	70°F	71.6°F	75.2°F	60.8°F	68°F	70°F	71.6°F	75.2°F
141	-22°F	19064	18683	18589	18515	18348	3.82	3.85	3.86	3.86	3.88
	-13°F	25126	24624	24501	24403	24183	4.19	4.23	4.23	4.24	4.26
	-4°F	30034	29433	29286	29169	28906	4.53	4.57	4.58	4.59	4.61
	0°F	31745	31110	30954	30831	30553	4.60	4.63	4.64	4.65	4.67
	5°F	33884	33206	33040	32908	32612	4.68	4.71	4.72	4.73	4.75
	14°F	33008	32348	32186	32057	31769	4.25	4.29	4.30	4.30	4.32
	17°F	32716	32061	31901	31774	31488	4.11	4.14	4.15	4.16	4.18
	22°F	32555	31904	31745	31618	31333	3.89	3.93	3.93	3.94	3.96
	27°F	32394	31747	31588	31461	31178	3.68	3.71	3.72	3.72	3.74
	32°F	32234	31589	31431	31305	31024	3.46	3.49	3.50	3.50	3.52
	35°F	32137	31495	31337	31212	30931	3.33	3.36	3.37	3.37	3.39
	37°F	33645	32972	32807	32676	32382	3.32	3.34	3.35	3.36	3.37
	42°F	37413	36665	36481	36335	36008	3.28	3.31	3.31	3.32	3.33
	44.6°F	38920	38142	37951	37799	37459	3.27	3.29	3.30	3.31	3.32
	47°F	41181	40358	40156	39995	39635	3.24	3.27	3.28	3.28	3.30
	52°F	38704	37930	37740	37589	37251	2.85	2.87	2.87	2.88	2.89
	57°F	36227	35503	35325	35184	34867	2.45	2.47	2.47	2.48	2.49
	59°F	35236	34532	34359	34221	33913	2.29	2.31	2.31	2.31	2.32
62°F	33750	33075	32910	32778	32483	2.05	2.06	2.07	2.07	2.08	
64.4°F	32759	32104	31943	31816	31529	1.89	1.90	1.91	1.91	1.92	

24HWMS0-HH-SYS-B Expanded Heating @ 176 CFM

CFM	HEATING PERFORMANCE AT INDOOR DRY BULB TEMPERATURE										
	OD DB (°F)	TC : Total Heating Capacity(BTU/hr)					PI : Power Input(kW)				
		Indoor Conditions (DB °F)					Indoor Conditions (DB °F)				
		60.8°F	68°F	70°F	71.6°F	75.2°F	60.8°F	68°F	70°F	71.6°F	75.2°F
176	-22°F	19064	18683	18589	18515	18348	3.82	3.85	3.86	3.86	3.88
	-13°F	25126	24624	24501	24403	24183	4.19	4.23	4.23	4.24	4.26
	-4°F	30034	29433	29286	29169	28906	4.53	4.57	4.58	4.59	4.61
	0°F	31745	31110	30954	30831	30553	4.60	4.63	4.64	4.65	4.67
	5°F	33884	33206	33040	32908	32612	4.68	4.71	4.72	4.73	4.75
	14°F	33008	32348	32186	32057	31769	4.25	4.29	4.30	4.30	4.32
	17°F	32716	32061	31901	31774	31488	4.11	4.14	4.15	4.16	4.18
	22°F	32555	31904	31745	31618	31333	3.89	3.93	3.93	3.94	3.96
	27°F	32394	31747	31588	31461	31178	3.68	3.71	3.72	3.72	3.74
	32°F	32234	31589	31431	31305	31024	3.46	3.49	3.50	3.50	3.52
	35°F	32137	31495	31337	31212	30931	3.33	3.36	3.37	3.37	3.39
	37°F	33645	32972	32807	32676	32382	3.32	3.34	3.35	3.36	3.37
	42°F	37413	36665	36481	36335	36008	3.28	3.31	3.31	3.32	3.33
	44.6°F	38920	38142	37951	37799	37459	3.27	3.29	3.30	3.31	3.32
	47°F	41181	40358	40156	39995	39635	3.24	3.27	3.28	3.28	3.30
	52°F	38704	37930	37740	37589	37251	2.85	2.87	2.87	2.88	2.89
	57°F	36227	35503	35325	35184	34867	2.45	2.47	2.47	2.48	2.49
	59°F	35236	34532	34359	34221	33913	2.29	2.31	2.31	2.31	2.32
62°F	33750	33075	32910	32778	32483	2.05	2.06	2.07	2.07	2.08	
64.4°F	32759	32104	31943	31816	31529	1.89	1.90	1.91	1.91	1.92	

24HWMS0-HH-SYS-B Expanded Heating @ 235 CFM

CFM	HEATING PERFORMANCE AT INDOOR DRY BULB TEMPERATURE										
	OD DB (°F)	TC : Total Heating Capacity(BTU/hr)					PI : Power Input(kW)				
		Indoor Conditions (DB °F)					Indoor Conditions (DB °F)				
		60.8°F	68°F	70°F	71.6°F	75.2°F	60.8°F	68°F	70°F	71.6°F	75.2°F
235	-22°F	19064	18683	18589	18515	18348	3.82	3.85	3.86	3.86	3.88
	-13°F	25126	24624	24501	24403	24183	4.19	4.23	4.23	4.24	4.26
	-4°F	30034	29433	29286	29169	28906	4.53	4.57	4.58	4.59	4.61
	0°F	31745	31110	30954	30831	30553	4.60	4.63	4.64	4.65	4.67
	5°F	33884	33206	33040	32908	32612	4.68	4.71	4.72	4.73	4.75
	14°F	33008	32348	32186	32057	31769	4.25	4.29	4.30	4.30	4.32
	17°F	32716	32061	31901	31774	31488	4.11	4.14	4.15	4.16	4.18
	22°F	32555	31904	31745	31618	31333	3.89	3.93	3.93	3.94	3.96
	27°F	32394	31747	31588	31461	31178	3.68	3.71	3.72	3.72	3.74
	32°F	32234	31589	31431	31305	31024	3.46	3.49	3.50	3.50	3.52
	35°F	32137	31495	31337	31212	30931	3.33	3.36	3.37	3.37	3.39
	37°F	33645	32972	32807	32676	32382	3.32	3.34	3.35	3.36	3.37
	42°F	37413	36665	36481	36335	36008	3.28	3.31	3.31	3.32	3.33
	44.6°F	38920	38142	37951	37799	37459	3.27	3.29	3.30	3.31	3.32
	47°F	41181	40358	40156	39995	39635	3.24	3.27	3.28	3.28	3.30
	52°F	38704	37930	37740	37589	37251	2.85	2.87	2.87	2.88	2.89
	57°F	36227	35503	35325	35184	34867	2.45	2.47	2.47	2.48	2.49
	59°F	35236	34532	34359	34221	33913	2.29	2.31	2.31	2.31	2.32
62°F	33750	33075	32910	32778	32483	2.05	2.06	2.07	2.07	2.08	
64.4°F	32759	32104	31943	31816	31529	1.89	1.90	1.91	1.91	1.92	

24HWMS0-HH-SYS-B Expanded Heating @ 294 CFM

CFM	HEATING PERFORMANCE AT INDOOR DRY BULB TEMPERATURE										
	OD DB (°F)	TC : Total Heating Capacity(BTU/hr)					PI : Power Input(kW)				
		Indoor Conditions (DB °F)					Indoor Conditions (DB °F)				
		60.8°F	68°F	70°F	71.6°F	75.2°F	60.8°F	68°F	70°F	71.6°F	75.2°F
294	-22°F	19064	18683	18589	18515	18348	3.82	3.85	3.86	3.86	3.88
	-13°F	25126	24624	24501	24403	24183	4.19	4.23	4.23	4.24	4.26
	-4°F	30034	29433	29286	29169	28906	4.53	4.57	4.58	4.59	4.61
	0°F	31745	31110	30954	30831	30553	4.60	4.63	4.64	4.65	4.67
	5°F	33884	33206	33040	32908	32612	4.68	4.71	4.72	4.73	4.75
	14°F	33008	32348	32186	32057	31769	4.25	4.29	4.30	4.30	4.32
	17°F	32716	32061	31901	31774	31488	4.11	4.14	4.15	4.16	4.18
	22°F	32555	31904	31745	31618	31333	3.89	3.93	3.93	3.94	3.96
	27°F	32394	31747	31588	31461	31178	3.68	3.71	3.72	3.72	3.74
	32°F	32234	31589	31431	31305	31024	3.46	3.49	3.50	3.50	3.52
	35°F	32137	31495	31337	31212	30931	3.33	3.36	3.37	3.37	3.39
	37°F	33645	32972	32807	32676	32382	3.32	3.34	3.35	3.36	3.37
	42°F	37413	36665	36481	36335	36008	3.28	3.31	3.31	3.32	3.33
	44.6°F	38920	38142	37951	37799	37459	3.27	3.29	3.30	3.31	3.32
	47°F	41181	40358	40156	39995	39635	3.24	3.27	3.28	3.28	3.30
	52°F	38704	37930	37740	37589	37251	2.85	2.87	2.87	2.88	2.89
	57°F	36227	35503	35325	35184	34867	2.45	2.47	2.47	2.48	2.49
	59°F	35236	34532	34359	34221	33913	2.29	2.31	2.31	2.31	2.32
62°F	33750	33075	32910	32778	32483	2.05	2.06	2.07	2.07	2.08	
64.4°F	32759	32104	31943	31816	31529	1.89	1.90	1.91	1.91	1.92	

30HWMS0-HH-SYS-B Expanded Cooling @ 141 CFM

CFM	OD DB (°F)	ID WB	60.8°F (16.0°C)					64.4°F (18.0°C)					67°F (19.4°C)					71.6°F (22.0°C)				
			ID DB					ID DB					ID DB					ID DB				
			73.4°F	77.0°F	80.0°F	80.6°F	84.2°F	73.4°F	77.0°F	80.0°F	80.6°F	84.2°F	73.4°F	77.0°F	80.0°F	80.6°F	84.2°F	73.4°F	77.0°F	80.0°F	80.6°F	84.2°F
23.0°C	25.0°C	26.7°C	27.0°C	29.0°C	23.0°C	25.0°C	26.7°C	27.0°C	29.0°C	23.0°C	25.0°C	26.7°C	27.0°C	29.0°C	23.0°C	25.0°C	26.7°C	27.0°C	29.0°C			
141	50°F (10°C)	TC	30492	30533	30566	30567	30608	32329	32368	32400	32406	32445	34261	34305	34344	34350	34388	36325	36365	36404	36410	36455
		S/T	0.41	0.48	0.55	0.55	0.63	0.44	0.51	0.58	0.58	0.66	0.46	0.54	0.62	0.62	0.70	0.49	0.58	0.65	0.65	0.75
		PI	1.39	1.39	1.39	1.39	1.39	1.47	1.47	1.47	1.47	1.48	1.56	1.56	1.56	1.56	1.56	1.65	1.65	1.66	1.66	1.66
	59°F (15°C)	TC	30375	30416	30449	30450	30491	32206	32244	32276	32282	32321	34130	34174	34213	34219	34257	36187	36226	36265	36271	36316
		S/T	0.41	0.49	0.55	0.55	0.63	0.44	0.52	0.59	0.59	0.67	0.47	0.55	0.62	0.62	0.71	0.49	0.58	0.66	0.66	0.75
		PI	1.58	1.58	1.59	1.59	1.59	1.68	1.68	1.68	1.68	1.68	1.78	1.78	1.78	1.78	1.78	1.88	1.89	1.89	1.89	1.89
	68°F (20°C)	TC	30259	30300	30332	30334	30375	32083	32121	32152	32159	32197	33999	34044	34081	34088	34126	36048	36087	36126	36132	36177
		S/T	0.43	0.50	0.57	0.57	0.65	0.45	0.53	0.60	0.60	0.69	0.48	0.56	0.64	0.64	0.73	0.51	0.59	0.68	0.68	0.77
		PI	1.78	1.78	1.78	1.78	1.78	1.88	1.89	1.89	1.89	1.89	2.00	2.00	2.00	2.00	2.00	2.12	2.12	2.12	2.12	2.12
	77°F (25°C)	TC	30143	30183	30216	30217	30258	31959	31997	32029	32035	32073	33869	33913	33950	33957	33995	35909	35948	35987	35993	36038
		S/T	0.43	0.51	0.57	0.57	0.65	0.46	0.54	0.61	0.61	0.69	0.48	0.57	0.65	0.65	0.74	0.51	0.60	0.68	0.68	0.78
		PI	1.97	1.97	1.98	1.98	1.98	2.09	2.09	2.09	2.09	2.10	2.21	2.22	2.22	2.22	2.22	2.35	2.35	2.35	2.35	2.36
	82°F (27.8°C)	TC	30161	30202	30235	30236	30277	31979	32017	32049	32055	32093	33890	33934	33972	33978	34016	35932	35971	36010	36015	36060
		S/T	0.44	0.51	0.58	0.58	0.66	0.46	0.54	0.62	0.62	0.70	0.49	0.58	0.65	0.65	0.75	0.52	0.61	0.69	0.69	0.79
		PI	2.19	2.20	2.20	2.20	2.20	2.32	2.33	2.33	2.33	2.33	2.46	2.47	2.47	2.47	2.47	2.61	2.61	2.62	2.62	2.62
	86°F (30°C)	TC	30282	30323	30355	30357	30398	32107	32145	32177	32183	32221	34025	34069	34107	34113	34152	36075	36114	36154	36159	36204
		S/T	0.44	0.52	0.59	0.59	0.67	0.47	0.55	0.62	0.62	0.71	0.50	0.58	0.66	0.66	0.75	0.53	0.62	0.70	0.70	0.80
		PI	2.51	2.52	2.52	2.52	2.52	2.66	2.67	2.67	2.67	2.67	2.82	2.83	2.83	2.83	2.83	2.99	3.00	3.00	3.00	3.00
	95°F (35°C)	TC	30553	30594	30627	30628	30669	32394	32432	32464	32471	32509	34329	34374	34412	34419	34457	36398	36437	36477	36483	36528
		S/T	0.44	0.52	0.59	0.59	0.67	0.47	0.55	0.62	0.62	0.71	0.50	0.58	0.66	0.66	0.75	0.53	0.62	0.70	0.70	0.80
		PI	3.23	3.24	3.24	3.24	3.24	3.43	3.43	3.43	3.43	3.44	3.63	3.64	3.64	3.64	3.64	3.85	3.85	3.86	3.86	3.86
	104°F (40°C)	TC	28016	28053	28083	28085	28123	29704	29739	29768	29774	29810	31479	31519	31555	31560	31596	33375	33411	33448	33453	33495
		S/T	0.45	0.53	0.60	0.60	0.69	0.48	0.56	0.64	0.64	0.73	0.51	0.60	0.68	0.68	0.77	0.54	0.63	0.72	0.72	0.82
		PI	3.20	3.20	3.21	3.21	3.21	3.39	3.39	3.40	3.40	3.40	3.59	3.60	3.60	3.60	3.61	3.81	3.81	3.82	3.82	3.82
110°F (43°C)	TC	26493	26529	26557	26559	26594	28090	28123	28151	28156	28190	29768	29807	29840	29846	29879	31562	31596	31630	31635	31675	
	S/T	0.47	0.55	0.63	0.63	0.71	0.50	0.58	0.66	0.66	0.76	0.53	0.62	0.70	0.70	0.80	0.56	0.66	0.75	0.75	0.85	
	PI	3.18	3.18	3.19	3.19	3.19	3.37	3.37	3.38	3.38	3.38	3.57	3.58	3.58	3.58	3.58	3.79	3.79	3.79	3.79	3.80	
115°F (46°C)	TC	22651	22682	22706	22707	22738	24016	24045	24069	24073	24102	25451	25484	25513	25517	25546	26985	27014	27043	27048	27081	
	S/T	0.47	0.56	0.63	0.63	0.72	0.50	0.59	0.67	0.67	0.77	0.53	0.63	0.71	0.71	0.81	0.57	0.66	0.75	0.75	0.86	
	PI	2.85	2.86	2.86	2.86	2.86	3.02	3.03	3.03	3.03	3.04	3.20	3.21	3.21	3.21	3.22	3.40	3.40	3.41	3.41	3.41	
122°F (50°C)	TC	17529	17552	17571	17572	17596	18585	18607	18625	18629	18651	19695	19721	19743	19747	19769	20882	20905	20928	20931	20957	
	S/T	0.49	0.57	0.65	0.65	0.74	0.52	0.60	0.69	0.69	0.78	0.55	0.64	0.73	0.73	0.83	0.58	0.68	0.77	0.77	0.88	
	PI	2.42	2.42	2.42	2.42	2.43	2.56	2.57	2.57	2.57	2.57	2.72	2.72	2.72	2.72	2.73	2.88	2.88	2.89	2.89	2.89	

TC:Total Cooling Capacity (BTU/hr)

S/T:Sensible Cooling Capacity Ratio

PI:Power Input(kW)

30HWMS0-HH-SYS-B Expanded Cooling @ 178 CFM

CFM	OD DB (°F)	ID WB ID DB	60.8°F (16.0°C)					64.4°F (18.0°C)					67°F (19.4°C)					71.6°F (22.0°C)				
			73.4°F	77.0°F	80.0°F	80.6°F	84.2°F	73.4°F	77.0°F	80.0°F	80.6°F	84.2°F	73.4°F	77.0°F	80.0°F	80.6°F	84.2°F	73.4°F	77.0°F	80.0°F	80.6°F	84.2°F
			23.0°C	25.0°C	26.7°C	27.0°C	29.0°C	23.0°C	25.0°C	26.7°C	27.0°C	29.0°C	23.0°C	25.0°C	26.7°C	27.0°C	29.0°C	23.0°C	25.0°C	26.7°C	27.0°C	29.0°C
178	50°F (10°C)	TC	30492	30533	30566	30567	30608	32329	32368	32400	32406	32445	34261	34305	34344	34350	34388	36325	36365	36404	36410	36455
		S/T	0.41	0.48	0.55	0.55	0.63	0.44	0.51	0.58	0.58	0.66	0.46	0.54	0.62	0.62	0.70	0.49	0.58	0.65	0.65	0.75
		PI	1.39	1.39	1.39	1.39	1.39	1.47	1.47	1.47	1.47	1.48	1.56	1.56	1.56	1.56	1.56	1.65	1.65	1.66	1.66	1.66
	59°F (15°C)	TC	30375	30416	30449	30450	30491	32206	32244	32276	32282	32321	34130	34174	34213	34219	34257	36187	36226	36265	36271	36316
		S/T	0.41	0.49	0.55	0.55	0.63	0.44	0.52	0.59	0.59	0.67	0.47	0.55	0.62	0.62	0.71	0.49	0.58	0.66	0.66	0.75
		PI	1.58	1.58	1.59	1.59	1.59	1.68	1.68	1.68	1.68	1.68	1.78	1.78	1.78	1.78	1.78	1.88	1.89	1.89	1.89	1.89
	68°F (20°C)	TC	30259	30300	30332	30334	30375	32083	32121	32152	32159	32197	33999	34044	34081	34088	34126	36048	36087	36126	36132	36177
		S/T	0.43	0.50	0.57	0.57	0.65	0.45	0.53	0.60	0.60	0.69	0.48	0.56	0.64	0.64	0.73	0.51	0.59	0.68	0.68	0.77
		PI	1.78	1.78	1.78	1.78	1.78	1.88	1.89	1.89	1.89	1.89	2.00	2.00	2.00	2.00	2.00	2.12	2.12	2.12	2.12	2.12
	77°F (25°C)	TC	30143	30183	30216	30217	30258	31959	31997	32029	32035	32073	33869	33913	33950	33957	33995	35909	35948	35987	35993	36038
		S/T	0.43	0.51	0.57	0.57	0.65	0.46	0.54	0.61	0.61	0.69	0.48	0.57	0.65	0.65	0.74	0.51	0.60	0.68	0.68	0.78
		PI	1.97	1.97	1.98	1.98	1.98	2.09	2.09	2.09	2.09	2.10	2.21	2.22	2.22	2.22	2.22	2.35	2.35	2.35	2.35	2.36
	82°F (27.8°C)	TC	30161	30202	30235	30236	30277	31979	32017	32049	32055	32093	33890	33934	33972	33978	34016	35932	35971	36010	36015	36060
		S/T	0.44	0.51	0.58	0.58	0.66	0.46	0.54	0.62	0.62	0.70	0.49	0.58	0.65	0.65	0.75	0.52	0.61	0.69	0.69	0.79
		PI	2.19	2.20	2.20	2.20	2.20	2.32	2.33	2.33	2.33	2.33	2.46	2.47	2.47	2.47	2.47	2.61	2.61	2.62	2.62	2.62
	86°F (30°C)	TC	30282	30323	30355	30357	30398	32107	32145	32177	32183	32221	34025	34069	34107	34113	34152	36075	36114	36154	36159	36204
		S/T	0.44	0.52	0.59	0.59	0.67	0.47	0.55	0.62	0.62	0.71	0.50	0.58	0.66	0.66	0.75	0.53	0.62	0.70	0.70	0.80
		PI	2.51	2.52	2.52	2.52	2.52	2.66	2.67	2.67	2.67	2.67	2.82	2.83	2.83	2.83	2.83	2.99	3.00	3.00	3.00	3.00
	95°F (35°C)	TC	30553	30594	30627	30628	30669	32394	32432	32464	32471	32509	34329	34374	34412	34419	34457	36398	36437	36477	36483	36528
		S/T	0.44	0.52	0.59	0.59	0.67	0.47	0.55	0.62	0.62	0.71	0.50	0.58	0.66	0.66	0.75	0.53	0.62	0.70	0.70	0.80
		PI	3.23	3.24	3.24	3.24	3.24	3.43	3.43	3.43	3.43	3.44	3.63	3.64	3.64	3.64	3.64	3.85	3.85	3.86	3.86	3.86
	104°F (40°C)	TC	28016	28053	28083	28085	28123	29704	29739	29768	29774	29810	31479	31519	31555	31560	31596	33375	33411	33448	33453	33495
		S/T	0.45	0.53	0.60	0.60	0.69	0.48	0.56	0.64	0.64	0.73	0.51	0.60	0.68	0.68	0.77	0.54	0.63	0.72	0.72	0.82
		PI	3.20	3.20	3.21	3.21	3.21	3.39	3.39	3.40	3.40	3.40	3.59	3.60	3.60	3.60	3.61	3.81	3.81	3.82	3.82	3.82
110°F (43°C)	TC	26493	26529	26557	26559	26594	28090	28123	28151	28156	28190	29768	29807	29840	29846	29879	31562	31596	31630	31635	31675	
	S/T	0.47	0.55	0.63	0.63	0.71	0.50	0.58	0.66	0.66	0.76	0.53	0.62	0.70	0.70	0.80	0.56	0.66	0.75	0.75	0.85	
	PI	3.18	3.18	3.19	3.19	3.19	3.37	3.37	3.38	3.38	3.38	3.57	3.58	3.58	3.58	3.58	3.79	3.79	3.79	3.79	3.80	
115°F (46°C)	TC	22651	22682	22706	22707	22738	24016	24045	24069	24073	24102	25451	25484	25513	25517	25546	26985	27014	27043	27048	27081	
	S/T	0.47	0.56	0.63	0.63	0.72	0.50	0.59	0.67	0.67	0.77	0.53	0.63	0.71	0.71	0.81	0.57	0.66	0.75	0.75	0.86	
	PI	2.85	2.86	2.86	2.86	2.86	3.02	3.03	3.03	3.03	3.04	3.20	3.21	3.21	3.21	3.22	3.40	3.40	3.41	3.41	3.41	
122°F (50°C)	TC	17529	17552	17571	17572	17596	18585	18607	18625	18629	18651	19695	19721	19743	19747	19769	20882	20905	20928	20931	20957	
	S/T	0.49	0.57	0.65	0.65	0.74	0.52	0.60	0.69	0.69	0.78	0.55	0.64	0.73	0.73	0.83	0.58	0.68	0.77	0.77	0.88	
	PI	2.42	2.42	2.42	2.42	2.43	2.56	2.57	2.57	2.57	2.57	2.72	2.72	2.72	2.72	2.73	2.88	2.88	2.89	2.89	2.89	

TC:Total Cooling Capacity (BTU/hr)

S/T:Sensible Cooling Capacity Ratio

PI:Power Input(kW)

30HWMS0-HH-SYS-B Expanded Cooling @ 235 CFM

CFM	OD DB (°F)	ID WB ID DB	60.8°F (16.0°C)					64.4°F (18.0°C)					67°F (19.4°C)					71.6°F (22.0°C)				
			73.4°F	77.0°F	80.0°F	80.6°F	84.2°F	73.4°F	77.0°F	80.0°F	80.6°F	84.2°F	73.4°F	77.0°F	80.0°F	80.6°F	84.2°F	73.4°F	77.0°F	80.0°F	80.6°F	84.2°F
			23.0°C	25.0°C	26.7°C	27.0°C	29.0°C	23.0°C	25.0°C	26.7°C	27.0°C	29.0°C	23.0°C	25.0°C	26.7°C	27.0°C	29.0°C	23.0°C	25.0°C	26.7°C	27.0°C	29.0°C
235	50°F (10°C)	TC	30492	30533	30566	30567	30608	32329	32368	32400	32406	32445	34261	34305	34344	34350	34388	36325	36365	36404	36410	36455
		S/T	0.41	0.48	0.55	0.55	0.63	0.44	0.51	0.58	0.58	0.66	0.46	0.54	0.62	0.62	0.70	0.49	0.58	0.65	0.65	0.75
		PI	1.39	1.39	1.39	1.39	1.39	1.47	1.47	1.47	1.47	1.48	1.56	1.56	1.56	1.56	1.56	1.65	1.65	1.66	1.66	1.66
	59°F (15°C)	TC	30375	30416	30449	30450	30491	32206	32244	32276	32282	32321	34130	34174	34213	34219	34257	36187	36226	36265	36271	36316
		S/T	0.41	0.49	0.55	0.55	0.63	0.44	0.52	0.59	0.59	0.67	0.47	0.55	0.62	0.62	0.71	0.49	0.58	0.66	0.66	0.75
		PI	1.58	1.58	1.59	1.59	1.59	1.68	1.68	1.68	1.68	1.68	1.78	1.78	1.78	1.78	1.78	1.88	1.89	1.89	1.89	1.89
	68°F (20°C)	TC	30259	30300	30332	30334	30375	32083	32121	32152	32159	32197	33999	34044	34081	34088	34126	36048	36087	36126	36132	36177
		S/T	0.43	0.50	0.57	0.57	0.65	0.45	0.53	0.60	0.60	0.69	0.48	0.56	0.64	0.64	0.73	0.51	0.59	0.68	0.68	0.77
		PI	1.78	1.78	1.78	1.78	1.78	1.88	1.89	1.89	1.89	1.89	2.00	2.00	2.00	2.00	2.00	2.12	2.12	2.12	2.12	2.12
	77°F (25°C)	TC	30143	30183	30216	30217	30258	31959	31997	32029	32035	32073	33869	33913	33950	33957	33995	35909	35948	35987	35993	36038
		S/T	0.43	0.51	0.57	0.57	0.65	0.46	0.54	0.61	0.61	0.69	0.48	0.57	0.65	0.65	0.74	0.51	0.60	0.68	0.68	0.78
		PI	1.97	1.97	1.98	1.98	1.98	2.09	2.09	2.09	2.09	2.10	2.21	2.22	2.22	2.22	2.22	2.35	2.35	2.35	2.35	2.36
	82°F (27.8°C)	TC	30161	30202	30235	30236	30277	31979	32017	32049	32055	32093	33890	33934	33972	33978	34016	35932	35971	36010	36015	36060
		S/T	0.44	0.51	0.58	0.58	0.66	0.46	0.54	0.62	0.62	0.70	0.49	0.58	0.65	0.65	0.75	0.52	0.61	0.69	0.69	0.79
		PI	2.19	2.20	2.20	2.20	2.20	2.32	2.33	2.33	2.33	2.33	2.46	2.47	2.47	2.47	2.47	2.61	2.61	2.62	2.62	2.62
	86°F (30°C)	TC	30282	30323	30355	30357	30398	32107	32145	32177	32183	32221	34025	34069	34107	34113	34152	36075	36114	36154	36159	36204
		S/T	0.44	0.52	0.59	0.59	0.67	0.47	0.55	0.62	0.62	0.71	0.50	0.58	0.66	0.66	0.75	0.53	0.62	0.70	0.70	0.80
		PI	2.51	2.52	2.52	2.52	2.52	2.66	2.67	2.67	2.67	2.67	2.82	2.83	2.83	2.83	2.83	2.99	3.00	3.00	3.00	3.00
	95°F (35°C)	TC	30553	30594	30627	30628	30669	32394	32432	32464	32471	32509	34329	34374	34412	34419	34457	36398	36437	36477	36483	36528
		S/T	0.44	0.52	0.59	0.59	0.67	0.47	0.55	0.62	0.62	0.71	0.50	0.58	0.66	0.66	0.75	0.53	0.62	0.70	0.70	0.80
		PI	3.23	3.24	3.24	3.24	3.24	3.43	3.43	3.43	3.43	3.44	3.63	3.64	3.64	3.64	3.64	3.85	3.85	3.86	3.86	3.86
	104°F (40°C)	TC	28016	28053	28083	28085	28123	29704	29739	29768	29774	29810	31479	31519	31555	31560	31596	33375	33411	33448	33453	33495
		S/T	0.45	0.53	0.60	0.60	0.69	0.48	0.56	0.64	0.64	0.73	0.51	0.60	0.68	0.68	0.77	0.54	0.63	0.72	0.72	0.82
		PI	3.20	3.20	3.21	3.21	3.21	3.39	3.39	3.40	3.40	3.40	3.59	3.60	3.60	3.60	3.61	3.81	3.81	3.82	3.82	3.82
110°F (43°C)	TC	26493	26529	26557	26559	26594	28090	28123	28151	28156	28190	29768	29807	29840	29846	29879	31562	31596	31630	31635	31675	
	S/T	0.47	0.55	0.63	0.63	0.71	0.50	0.58	0.66	0.66	0.76	0.53	0.62	0.70	0.70	0.80	0.56	0.66	0.75	0.75	0.85	
	PI	3.18	3.18	3.19	3.19	3.19	3.37	3.37	3.38	3.38	3.38	3.57	3.58	3.58	3.58	3.58	3.79	3.79	3.79	3.79	3.80	
115°F (46°C)	TC	22651	22682	22706	22707	22738	24016	24045	24069	24073	24102	25451	25484	25513	25517	25546	26985	27014	27043	27048	27081	
	S/T	0.47	0.56	0.63	0.63	0.72	0.50	0.59	0.67	0.67	0.77	0.53	0.63	0.71	0.71	0.81	0.57	0.66	0.75	0.75	0.86	
	PI	2.85	2.86	2.86	2.86	2.86	3.02	3.03	3.03	3.03	3.04	3.20	3.21	3.21	3.21	3.22	3.40	3.40	3.41	3.41	3.41	
122°F (50°C)	TC	17529	17552	17571	17572	17596	18585	18607	18625	18629	18651	19695	19721	19743	19747	19769	20882	20905	20928	20931	20957	
	S/T	0.49	0.57	0.65	0.65	0.74	0.52	0.60	0.69	0.69	0.78	0.55	0.64	0.73	0.73	0.83	0.58	0.68	0.77	0.77	0.88	
	PI	2.42	2.42	2.42	2.42	2.43	2.56	2.57	2.57	2.57	2.57	2.72	2.72	2.72	2.72	2.73	2.88	2.88	2.89	2.89	2.89	

TC:Total Cooling Capacity (BTU/hr)

S/T:Sensible Cooling Capacity Ratio

PI:Power Input(kW)

30HWMS0-HH-SYS-B Expanded Cooling @ 294 CFM

CFM	OD DB (°F)	ID WB	60.8°F (16.0°C)					64.4°F (18.0°C)					67°F (19.4°C)					71.6°F (22.0°C)				
			ID DB					ID DB					ID DB					ID DB				
			73.4°F	77.0°F	80.0°F	80.6°F	84.2°F	73.4°F	77.0°F	80.0°F	80.6°F	84.2°F	73.4°F	77.0°F	80.0°F	80.6°F	84.2°F	73.4°F	77.0°F	80.0°F	80.6°F	84.2°F
23.0°C	25.0°C	26.7°C	27.0°C	29.0°C	23.0°C	25.0°C	26.7°C	27.0°C	29.0°C	23.0°C	25.0°C	26.7°C	27.0°C	29.0°C	23.0°C	25.0°C	26.7°C	27.0°C	29.0°C			
294	50°F (10°C)	TC	30492	30533	30566	30567	30608	32329	32368	32400	32406	32445	34261	34305	34344	34350	34388	36325	36365	36404	36410	36455
		S/T	0.41	0.48	0.55	0.55	0.63	0.44	0.51	0.58	0.58	0.66	0.46	0.54	0.62	0.62	0.70	0.49	0.58	0.65	0.65	0.75
		PI	1.39	1.39	1.39	1.39	1.39	1.47	1.47	1.47	1.47	1.48	1.56	1.56	1.56	1.56	1.56	1.65	1.65	1.66	1.66	1.66
	59°F (15°C)	TC	30375	30416	30449	30450	30491	32206	32244	32276	32282	32321	34130	34174	34213	34219	34257	36187	36226	36265	36271	36316
		S/T	0.41	0.49	0.55	0.55	0.63	0.44	0.52	0.59	0.59	0.67	0.47	0.55	0.62	0.62	0.71	0.49	0.58	0.66	0.66	0.75
		PI	1.58	1.58	1.59	1.59	1.59	1.68	1.68	1.68	1.68	1.68	1.78	1.78	1.78	1.78	1.78	1.88	1.89	1.89	1.89	1.89
	68°F (20°C)	TC	30259	30300	30332	30334	30375	32083	32121	32152	32159	32197	33999	34044	34081	34088	34126	36048	36087	36126	36132	36177
		S/T	0.43	0.50	0.57	0.57	0.65	0.45	0.53	0.60	0.60	0.69	0.48	0.56	0.64	0.64	0.73	0.51	0.59	0.68	0.68	0.77
		PI	1.78	1.78	1.78	1.78	1.78	1.88	1.89	1.89	1.89	1.89	2.00	2.00	2.00	2.00	2.00	2.12	2.12	2.12	2.12	2.12
	77°F (25°C)	TC	30143	30183	30216	30217	30258	31959	31997	32029	32035	32073	33869	33913	33950	33957	33995	35909	35948	35987	35993	36038
		S/T	0.43	0.51	0.57	0.57	0.65	0.46	0.54	0.61	0.61	0.69	0.48	0.57	0.65	0.65	0.74	0.51	0.60	0.68	0.68	0.78
		PI	1.97	1.97	1.98	1.98	1.98	2.09	2.09	2.09	2.09	2.10	2.21	2.22	2.22	2.22	2.22	2.35	2.35	2.35	2.35	2.36
	82°F (27.8°C)	TC	30161	30202	30235	30236	30277	31979	32017	32049	32055	32093	33890	33934	33972	33978	34016	35932	35971	36010	36015	36060
		S/T	0.44	0.51	0.58	0.58	0.66	0.46	0.54	0.62	0.62	0.70	0.49	0.58	0.65	0.65	0.75	0.52	0.61	0.69	0.69	0.79
		PI	2.19	2.20	2.20	2.20	2.20	2.32	2.33	2.33	2.33	2.33	2.46	2.47	2.47	2.47	2.47	2.61	2.61	2.62	2.62	2.62
	86°F (30°C)	TC	30282	30323	30355	30357	30398	32107	32145	32177	32183	32221	34025	34069	34107	34113	34152	36075	36114	36154	36159	36204
		S/T	0.44	0.52	0.59	0.59	0.67	0.47	0.55	0.62	0.62	0.71	0.50	0.58	0.66	0.66	0.75	0.53	0.62	0.70	0.70	0.80
		PI	2.51	2.52	2.52	2.52	2.52	2.66	2.67	2.67	2.67	2.67	2.82	2.83	2.83	2.83	2.83	2.99	3.00	3.00	3.00	3.00
	95°F (35°C)	TC	30553	30594	30627	30628	30669	32394	32432	32464	32471	32509	34329	34374	34412	34419	34457	36398	36437	36477	36483	36528
		S/T	0.44	0.52	0.59	0.59	0.67	0.47	0.55	0.62	0.62	0.71	0.50	0.58	0.66	0.66	0.75	0.53	0.62	0.70	0.70	0.80
		PI	3.23	3.24	3.24	3.24	3.24	3.43	3.43	3.43	3.43	3.44	3.63	3.64	3.64	3.64	3.64	3.85	3.85	3.86	3.86	3.86
	104°F (40°C)	TC	28016	28053	28083	28085	28123	29704	29739	29768	29774	29810	31479	31519	31555	31560	31596	33375	33411	33448	33453	33495
		S/T	0.45	0.53	0.60	0.60	0.69	0.48	0.56	0.64	0.64	0.73	0.51	0.60	0.68	0.68	0.77	0.54	0.63	0.72	0.72	0.82
		PI	3.20	3.20	3.21	3.21	3.21	3.39	3.39	3.40	3.40	3.40	3.59	3.60	3.60	3.60	3.61	3.81	3.81	3.82	3.82	3.82
110°F (43°C)	TC	26493	26529	26557	26559	26594	28090	28123	28151	28156	28190	29768	29807	29840	29846	29879	31562	31596	31630	31635	31675	
	S/T	0.47	0.55	0.63	0.63	0.71	0.50	0.58	0.66	0.66	0.76	0.53	0.62	0.70	0.70	0.80	0.56	0.66	0.75	0.75	0.85	
	PI	3.18	3.18	3.19	3.19	3.19	3.37	3.37	3.38	3.38	3.38	3.57	3.58	3.58	3.58	3.58	3.79	3.79	3.79	3.79	3.80	
115°F (46°C)	TC	22651	22682	22706	22707	22738	24016	24045	24069	24073	24102	25451	25484	25513	25517	25546	26985	27014	27043	27048	27081	
	S/T	0.47	0.56	0.63	0.63	0.72	0.50	0.59	0.67	0.67	0.77	0.53	0.63	0.71	0.71	0.81	0.57	0.66	0.75	0.75	0.86	
	PI	2.85	2.86	2.86	2.86	2.86	3.02	3.03	3.03	3.03	3.04	3.20	3.21	3.21	3.21	3.22	3.40	3.40	3.41	3.41	3.41	
122°F (50°C)	TC	17529	17552	17571	17572	17596	18585	18607	18625	18629	18651	19695	19721	19743	19747	19769	20882	20905	20928	20931	20957	
	S/T	0.49	0.57	0.65	0.65	0.74	0.52	0.60	0.69	0.69	0.78	0.55	0.64	0.73	0.73	0.83	0.58	0.68	0.77	0.77	0.88	
	PI	2.42	2.42	2.42	2.42	2.43	2.56	2.57	2.57	2.57	2.57	2.72	2.72	2.72	2.72	2.73	2.88	2.88	2.89	2.89	2.89	

TC:Total Cooling Capacity (BTU/hr)

S/T:Sensible Cooling Capacity Ratio

PI:Power Input(kW)

30HWMS0-HH-SYS-B Expanded Heating @ 141 CFM

CFM	HEATING PERFORMANCE AT INDOOR DRY BULB TEMPERATURE										
	OD DB (°F)	TC : Total Heating Capacity(BTU/hr)					PI : Power Input(kW)				
		Indoor Conditions (DB °F)					Indoor Conditions (DB °F)				
		60.8°F	68°F	70°F	71.6°F	75.2°F	60.8°F	68°F	70°F	71.6°F	75.2°F
141	-22°F	19064	18683	18589	18515	18348	3.82	3.85	3.86	3.86	3.88
	-13°F	25126	24624	24501	24403	24183	4.19	4.23	4.23	4.24	4.26
	-4°F	30034	29433	29286	29169	28906	4.53	4.57	4.58	4.59	4.61
	0°F	31745	31110	30954	30831	30553	4.60	4.63	4.64	4.65	4.67
	5°F	33884	33206	33040	32908	32612	4.68	4.71	4.72	4.73	4.75
	14°F	33008	32348	32186	32057	31769	4.25	4.29	4.30	4.30	4.32
	17°F	32716	32061	31901	31774	31488	4.11	4.14	4.15	4.16	4.18
	22°F	32555	31904	31745	31618	31333	3.89	3.93	3.93	3.94	3.96
	27°F	32394	31747	31588	31461	31178	3.68	3.71	3.72	3.72	3.74
	32°F	32234	31589	31431	31305	31024	3.46	3.49	3.50	3.50	3.52
	35°F	32137	31495	31337	31212	30931	3.33	3.36	3.37	3.37	3.39
	37°F	33645	32972	32807	32676	32382	3.32	3.34	3.35	3.36	3.37
	42°F	37413	36665	36481	36335	36008	3.28	3.31	3.31	3.32	3.33
	44.6°F	38920	38142	37951	37799	37459	3.27	3.29	3.30	3.31	3.32
	47°F	41181	40358	40156	39995	39635	3.24	3.27	3.28	3.28	3.30
	52°F	38704	37930	37740	37589	37251	2.85	2.87	2.87	2.88	2.89
	57°F	36227	35503	35325	35184	34867	2.45	2.47	2.47	2.48	2.49
	59°F	35236	34532	34359	34221	33913	2.29	2.31	2.31	2.31	2.32
62°F	33750	33075	32910	32778	32483	2.05	2.06	2.07	2.07	2.08	
64.4°F	32759	32104	31943	31816	31529	1.89	1.90	1.91	1.91	1.92	

30HWMS0-HH-SYS-B Expanded Heating @ 176 CFM

CFM	HEATING PERFORMANCE AT INDOOR DRY BULB TEMPERATURE										
	OD DB (°F)	TC : Total Heating Capacity(BTU/hr)					PI : Power Input(kW)				
		Indoor Conditions (DB °F)					Indoor Conditions (DB °F)				
		60.8°F	68°F	70°F	71.6°F	75.2°F	60.8°F	68°F	70°F	71.6°F	75.2°F
176	-22°F	19064	18683	18589	18515	18348	3.82	3.85	3.86	3.86	3.88
	-13°F	25126	24624	24501	24403	24183	4.19	4.23	4.23	4.24	4.26
	-4°F	30034	29433	29286	29169	28906	4.53	4.57	4.58	4.59	4.61
	0°F	31745	31110	30954	30831	30553	4.60	4.63	4.64	4.65	4.67
	5°F	33884	33206	33040	32908	32612	4.68	4.71	4.72	4.73	4.75
	14°F	33008	32348	32186	32057	31769	4.25	4.29	4.30	4.30	4.32
	17°F	32716	32061	31901	31774	31488	4.11	4.14	4.15	4.16	4.18
	22°F	32555	31904	31745	31618	31333	3.89	3.93	3.93	3.94	3.96
	27°F	32394	31747	31588	31461	31178	3.68	3.71	3.72	3.72	3.74
	32°F	32234	31589	31431	31305	31024	3.46	3.49	3.50	3.50	3.52
	35°F	32137	31495	31337	31212	30931	3.33	3.36	3.37	3.37	3.39
	37°F	33645	32972	32807	32676	32382	3.32	3.34	3.35	3.36	3.37
	42°F	37413	36665	36481	36335	36008	3.28	3.31	3.31	3.32	3.33
	44.6°F	38920	38142	37951	37799	37459	3.27	3.29	3.30	3.31	3.32
	47°F	41181	40358	40156	39995	39635	3.24	3.27	3.28	3.28	3.30
	52°F	38704	37930	37740	37589	37251	2.85	2.87	2.87	2.88	2.89
	57°F	36227	35503	35325	35184	34867	2.45	2.47	2.47	2.48	2.49
	59°F	35236	34532	34359	34221	33913	2.29	2.31	2.31	2.31	2.32
62°F	33750	33075	32910	32778	32483	2.05	2.06	2.07	2.07	2.08	
64.4°F	32759	32104	31943	31816	31529	1.89	1.90	1.91	1.91	1.92	

30HWMS0-HH-SYS-B Expanded Heating @ 235 CFM

CFM	HEATING PERFORMANCE AT INDOOR DRY BULB TEMPERATURE										
	OD DB (°F)	TC : Total Heating Capacity(BTU/hr)					PI : Power Input(kW)				
		Indoor Conditions (DB °F)					Indoor Conditions (DB °F)				
		60.8°F	68°F	70°F	71.6°F	75.2°F	60.8°F	68°F	70°F	71.6°F	75.2°F
235	-22°F	19064	18683	18589	18515	18348	3.82	3.85	3.86	3.86	3.88
	-13°F	25126	24624	24501	24403	24183	4.19	4.23	4.23	4.24	4.26
	-4°F	30034	29433	29286	29169	28906	4.53	4.57	4.58	4.59	4.61
	0°F	31745	31110	30954	30831	30553	4.60	4.63	4.64	4.65	4.67
	5°F	33884	33206	33040	32908	32612	4.68	4.71	4.72	4.73	4.75
	14°F	33008	32348	32186	32057	31769	4.25	4.29	4.30	4.30	4.32
	17°F	32716	32061	31901	31774	31488	4.11	4.14	4.15	4.16	4.18
	22°F	32555	31904	31745	31618	31333	3.89	3.93	3.93	3.94	3.96
	27°F	32394	31747	31588	31461	31178	3.68	3.71	3.72	3.72	3.74
	32°F	32234	31589	31431	31305	31024	3.46	3.49	3.50	3.50	3.52
	35°F	32137	31495	31337	31212	30931	3.33	3.36	3.37	3.37	3.39
	37°F	33645	32972	32807	32676	32382	3.32	3.34	3.35	3.36	3.37
	42°F	37413	36665	36481	36335	36008	3.28	3.31	3.31	3.32	3.33
	44.6°F	38920	38142	37951	37799	37459	3.27	3.29	3.30	3.31	3.32
	47°F	41181	40358	40156	39995	39635	3.24	3.27	3.28	3.28	3.30
	52°F	38704	37930	37740	37589	37251	2.85	2.87	2.87	2.88	2.89
	57°F	36227	35503	35325	35184	34867	2.45	2.47	2.47	2.48	2.49
	59°F	35236	34532	34359	34221	33913	2.29	2.31	2.31	2.31	2.32
62°F	33750	33075	32910	32778	32483	2.05	2.06	2.07	2.07	2.08	
64.4°F	32759	32104	31943	31816	31529	1.89	1.90	1.91	1.91	1.92	

30HWMS0-HH-SYS-B Expanded Heating @ 294 CFM

CFM	HEATING PERFORMANCE AT INDOOR DRY BULB TEMPERATURE										
	OD DB (°F)	TC : Total Heating Capacity(BTU/hr)					PI : Power Input(kW)				
		Indoor Conditions (DB °F)					Indoor Conditions (DB °F)				
		60.8°F	68°F	70°F	71.6°F	75.2°F	60.8°F	68°F	70°F	71.6°F	75.2°F
294	-22°F	19064	18683	18589	18515	18348	3.82	3.85	3.86	3.86	3.88
	-13°F	25126	24624	24501	24403	24183	4.19	4.23	4.23	4.24	4.26
	-4°F	30034	29433	29286	29169	28906	4.53	4.57	4.58	4.59	4.61
	0°F	31745	31110	30954	30831	30553	4.60	4.63	4.64	4.65	4.67
	5°F	33884	33206	33040	32908	32612	4.68	4.71	4.72	4.73	4.75
	14°F	33008	32348	32186	32057	31769	4.25	4.29	4.30	4.30	4.32
	17°F	32716	32061	31901	31774	31488	4.11	4.14	4.15	4.16	4.18
	22°F	32555	31904	31745	31618	31333	3.89	3.93	3.93	3.94	3.96
	27°F	32394	31747	31588	31461	31178	3.68	3.71	3.72	3.72	3.74
	32°F	32234	31589	31431	31305	31024	3.46	3.49	3.50	3.50	3.52
	35°F	32137	31495	31337	31212	30931	3.33	3.36	3.37	3.37	3.39
	37°F	33645	32972	32807	32676	32382	3.32	3.34	3.35	3.36	3.37
	42°F	37413	36665	36481	36335	36008	3.28	3.31	3.31	3.32	3.33
	44.6°F	38920	38142	37951	37799	37459	3.27	3.29	3.30	3.31	3.32
	47°F	41181	40358	40156	39995	39635	3.24	3.27	3.28	3.28	3.30
	52°F	38704	37930	37740	37589	37251	2.85	2.87	2.87	2.88	2.89
	57°F	36227	35503	35325	35184	34867	2.45	2.47	2.47	2.48	2.49
59°F	35236	34532	34359	34221	33913	2.29	2.31	2.31	2.31	2.32	
62°F	33750	33075	32910	32778	32483	2.05	2.06	2.07	2.07	2.08	
64.4°F	32759	32104	31943	31816	31529	1.89	1.90	1.91	1.91	1.92	

Control Options

Part Number	Description
MWRC2	Wireless infrared remote controller with timer, sleep function, follow me and turbo function. (Included with each HWMS-HH system.
SWC120LR	Standard wired wall controller with operation mode control, timer and follow me functions.
WFI-MS1	Wifi Smart Kit that will allow the system to connect to WiFi.



MWRC2
Wireless Remote



SWC120LR
Standard Wired



WFI-MS1
WiFi Interface
Module



**33380 Zeiders Road, Suite 101
Menifee, CA 92584**

Phone 888-741-9775

Fax 760-480-8904

www.multimfg-usa.com