



MPHP-HE-B

Inverter

Multi-Position System

R454b Model



High Efficiency Communicating

1.50 Ton - 5.00 Ton, with Efficiencies up to 18.80 SEER2 and 11.0 EER2



R454b

The MPHP-HE-B is a highly efficient split system, with a 4-way multi-position indoor direct drive air hand and an outdoor side discharge heat pump unit. The indoor air handler can be installed in various locations, including closet, attic, garage and ceiling suspended. With a wide range of sizes, from 1.5 to 5 tons, and flexibility of application, this highly efficient system is the solution for many projects.

Typical installations for the MPHP-HE include:

- Apartments
- Condominiums
- Independent Care Facilities
- Manufactured Homes
- Single Family Homes
- Modular Buildings
- Student Housing
- Offices
- Stores



Features

Highly Efficient / High Performance

- Highly Efficient Inverter Compressor, with Efficiencies up to 18.80 SEER2
- Air Handler EC Blower Motor, with Available ESP up to 1.00" WC
- Low Amp Draw DC motor in Outdoor HP

Quiet Operation, Inside and Outside

- Low Sone DC motor in MPHP Air Handler
- Quiet Inverter Compressor in Outdoor Heat Pump, with Sound Levels as low as 55 dBA

Heating at Low Ambient Conditions

- Standard Base Pan Heaters
- Field Install Heat Strip Options Available

Fresh Air

- Optional Field Install OSA Fan-Assisted Fresh Air Package is available

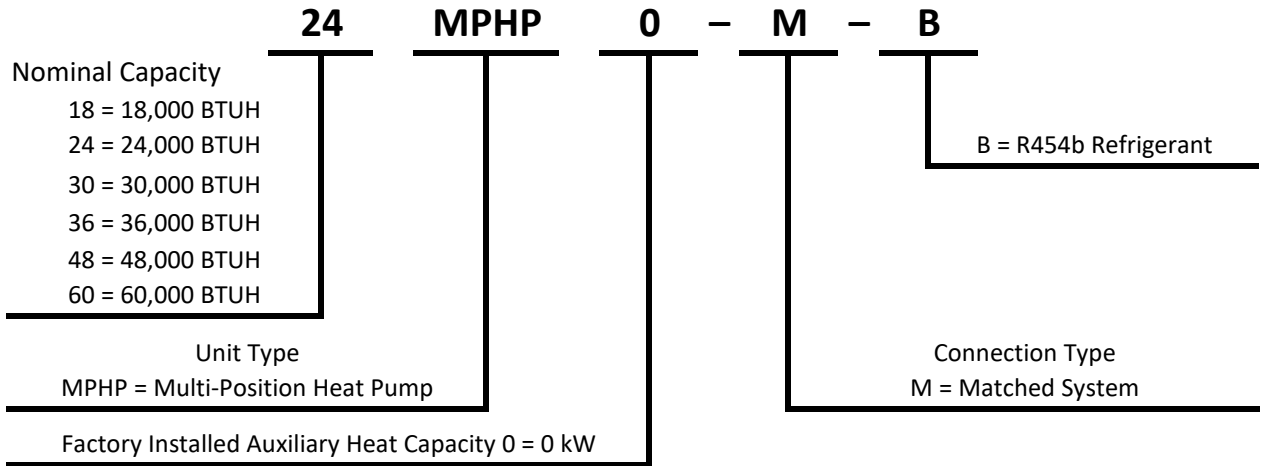
Design

- Versatile air handler design; field convertible Hz Left, Hz Right or downflow
- Intelligent Preheating and Intelligent Defrosting
- Electronic Expansion Valve
- Indoor Unit can be wired to 115/1 or 208/230/1
- Factory Installed 24V Control Board with High, Medium and Low Motor Speed Taps
- Compatible with Standard 24V 2 Stage Heat / 1 Stage Cool Thermostats
- Compatible with Multi Mfg Wired Wall Controller
- Pre-Coated Fins on Evaporator and Condenser Coils
- Air Handler coils are aluminum fin / aluminum tube
- Condenser coils are aluminum fin / copper tube
- Compressor Overload and Over Current Protection

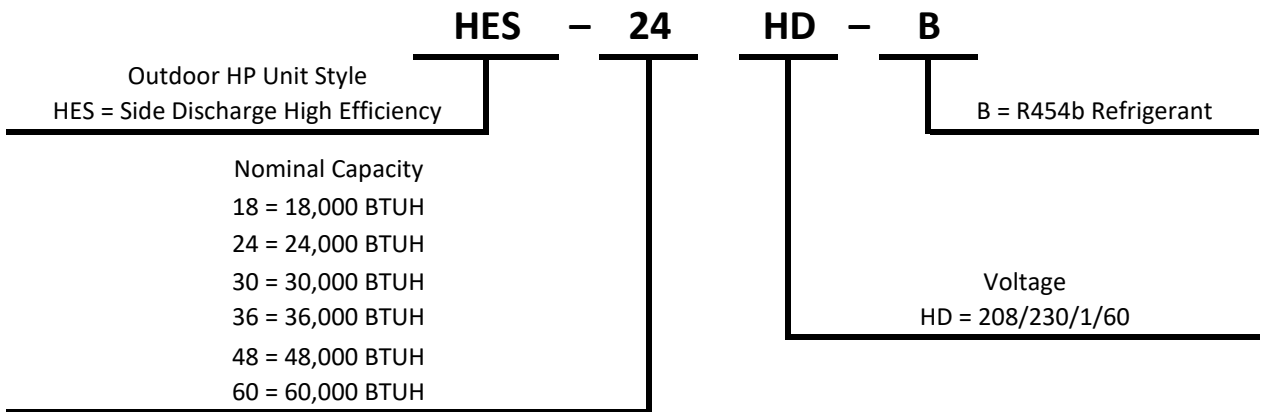


Nomenclature

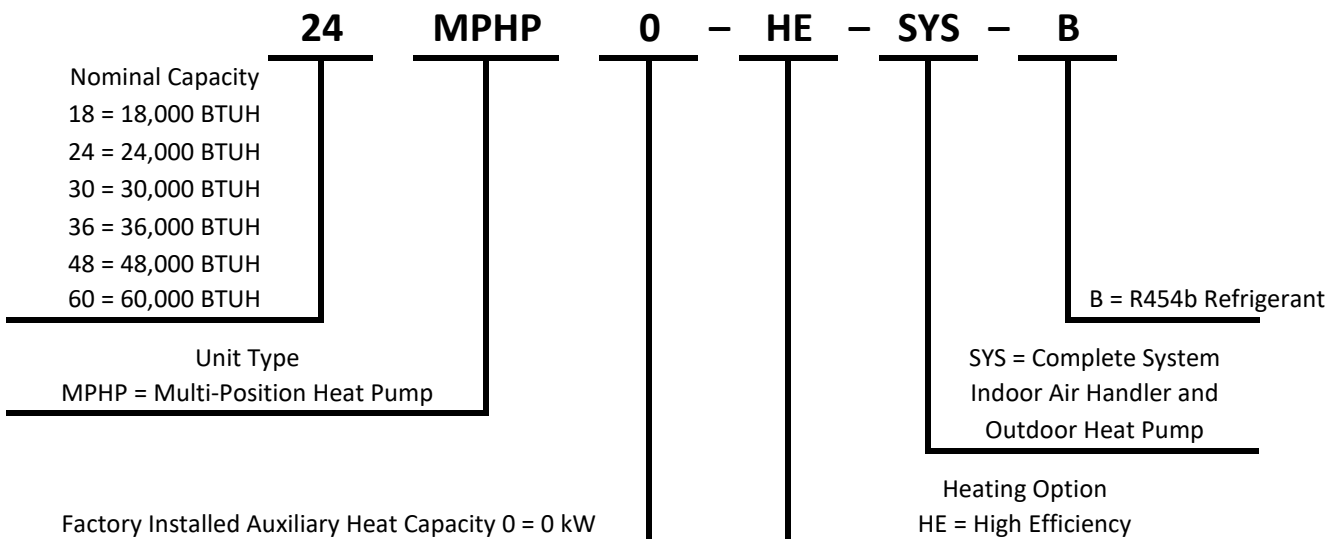
Indoor Unit



Outdoor Unit



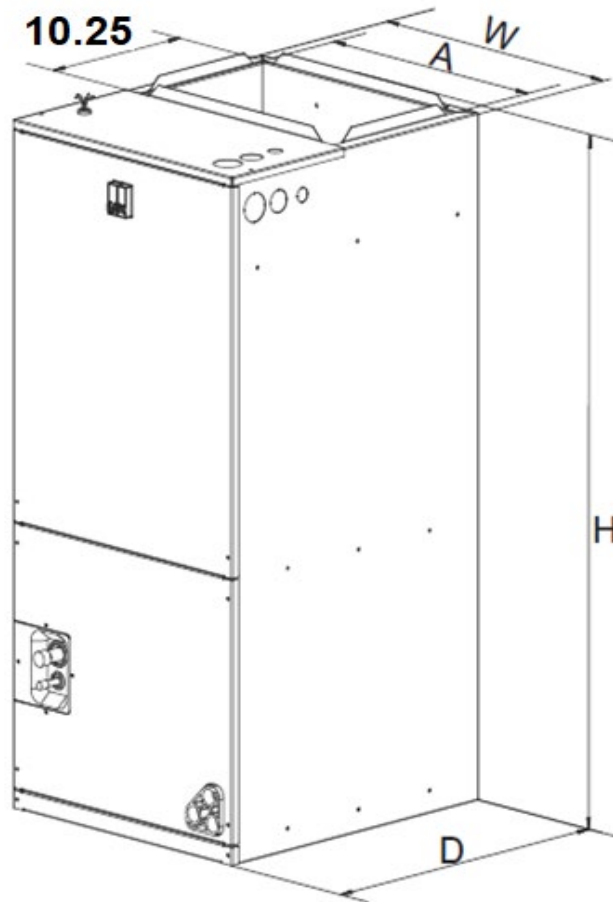
System



MPHP

1.5 ton - 5.0 ton Heat Pump Air Handler

Dimensional Data



Unit	Height (H)	Width (W)	Depth (D)	Supply Width (A)	Supply Depth	Weight (lbs)
18MPHP	45.0	17.5	21.0	15.75	10.25	106
24MPHP	45.0	17.5	21.0	15.75	10.25	106
30MPHP	49.0	21.0	21.0	19.31	10.25	129
36MPHP	49.0	21.0	21.0	19.31	10.25	129
48MPHP	53.0	24.5	21.0	22.63	10.25	163
60MPHP	53.0	24.5	21.0	22.63	10.25	163

Dimensions shown are in Inches

Condensate Connections on all units are 3/4"

HES

1.5 ton - 2.0 ton Heat Pump Outdoor Unit

Dimensional Data

Figure 1

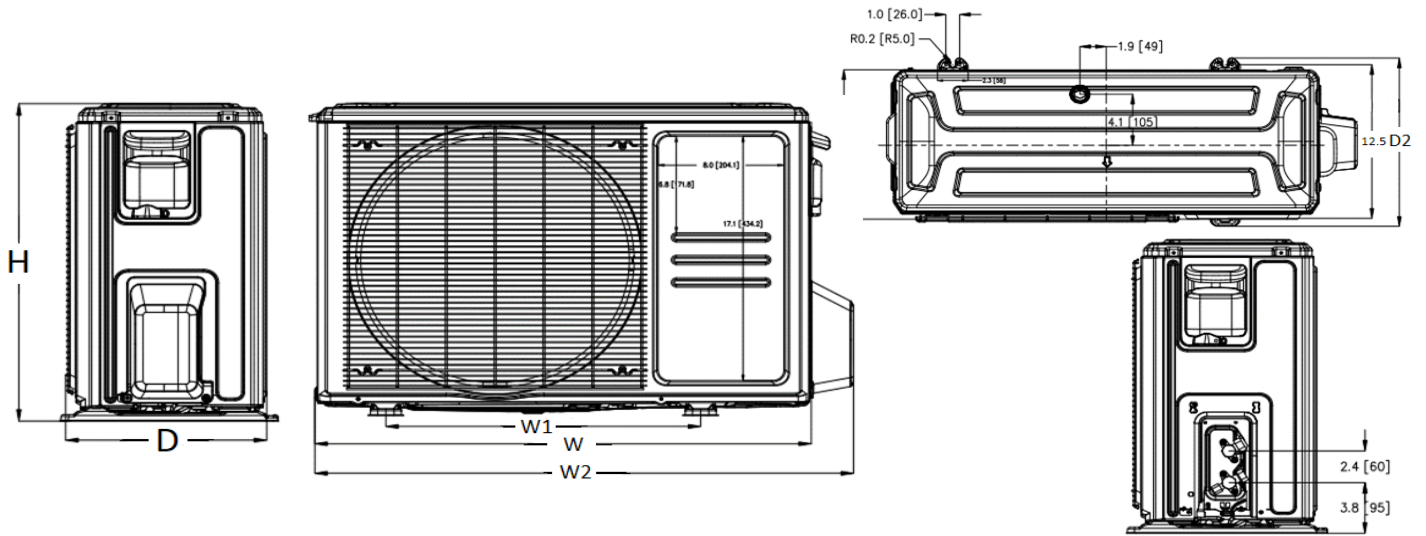
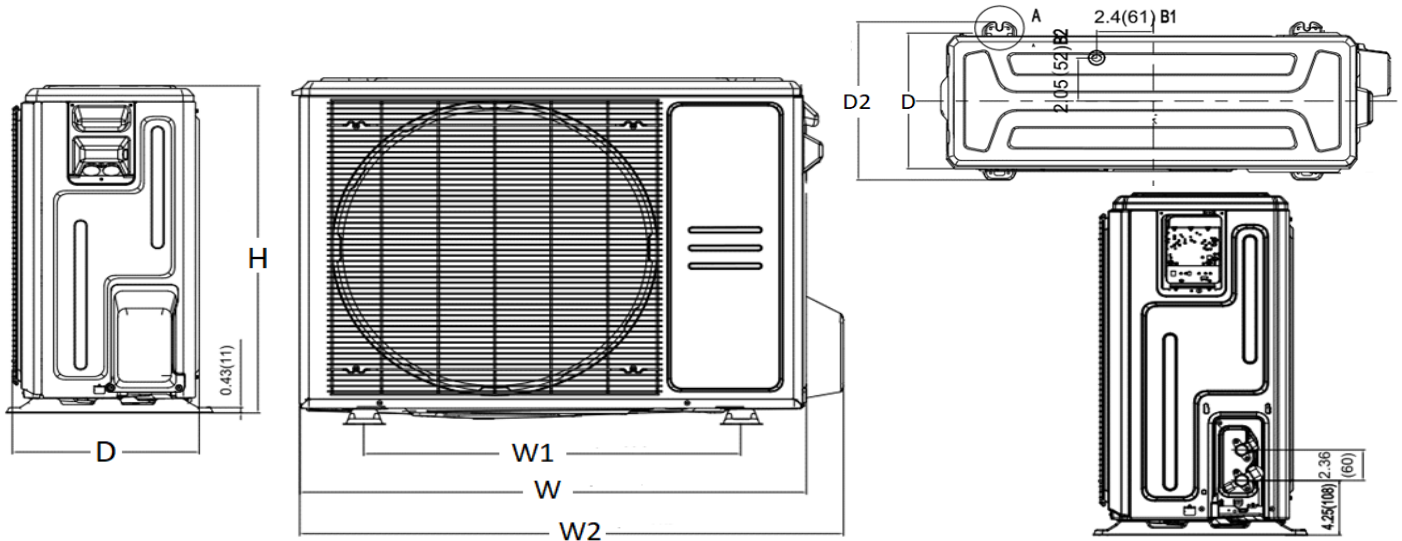


Figure 2



Unit	Figure	Unit Width (W)	Unit Width w/Elec (W2)	Unit Height (H)	Unit Depth (D)	Bracket Width (W1)	Bracket Depth (D2)	Weight (lbs)
HES-18HD-B	1	31.69	34.40	21.81	12.99	20.10	13.60	77
HES-24HD-B	2	35.04	37.60	26.50	13.46	26.10	14.95	101

Dimensions shown are in Inches

Dimensional Data

Figure 3

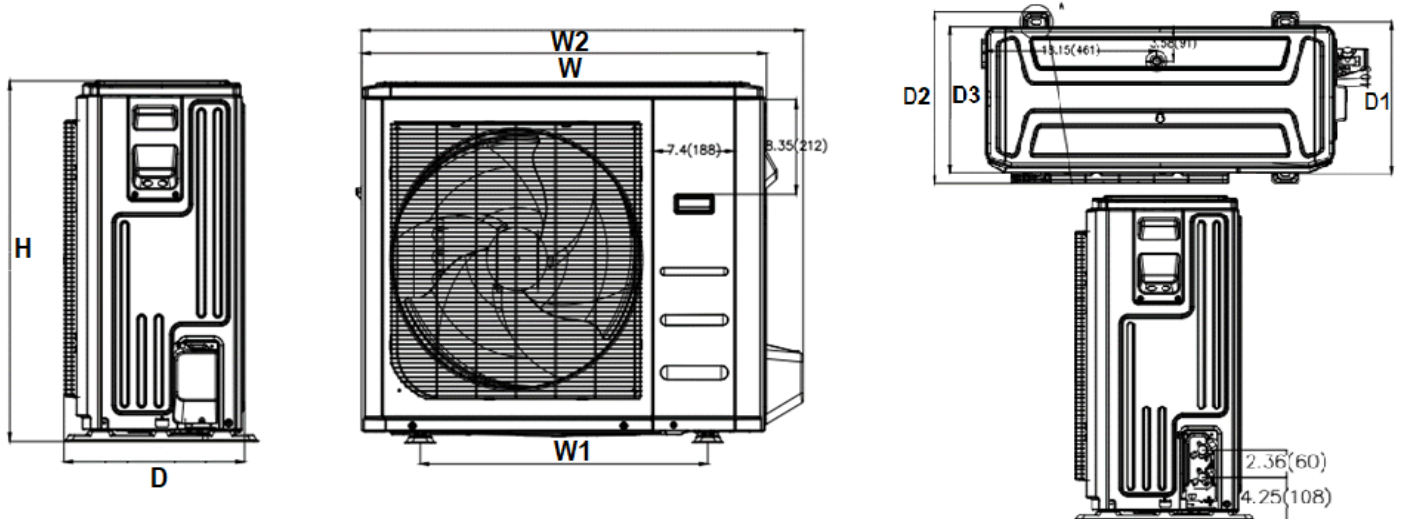
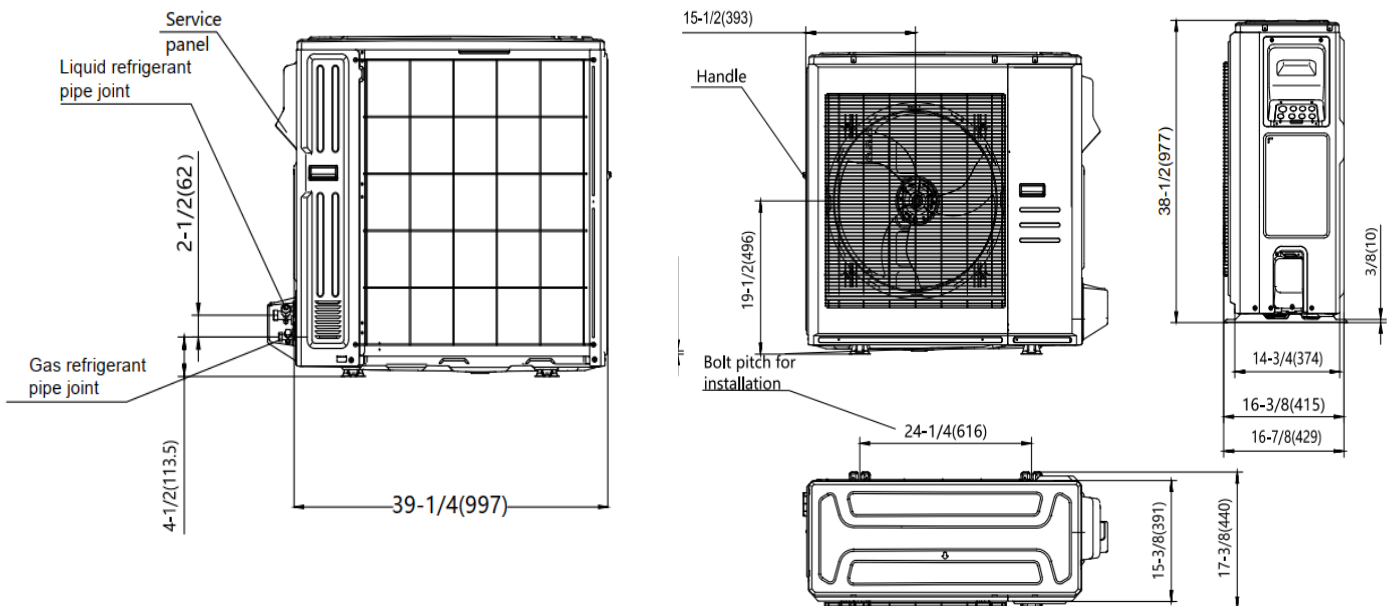


Figure 4



Unit	Figure	Unit Width (W)	Unit Width w/Elec (W2)	Unit Height (H)	Unit Depth (D)	Bracket Width (W1)	Bracket Depth (D2)	Weight (lbs)
HES-30HD-B	3	37.24	40.55	31.89	16.14	26.50	15.90	142
HES-36HD-B	3	37.24	40.55	31.89	16.14	26.50	15.90	153
HES-48HD-B	4	39.25	42.75	38.50	16.34	24.25	17.38	192
HES-60HD-B	4	39.25	42.75	38.50	16.34	24.25	17.38	192

Dimensions shown are in Inches

MPHP

1.5 ton - 5.0 ton Heat Pump Air Handler

Electrical Data

Model Number	Electric Heat		Indoor Fan Motor		Circuit 1				Circuit 2				
					Min. Cir. Ampacity		MOCP		Min. Cir. Ampacity		MOCP		
	kW	BTUH		Input (W)	Output (W)	208V	230V	208V	230V	208V	230V	208V	230V
		208V	230V										
18MPHP*-M-A	0	0	0	487	600	5.5	4.0	15.0	15.0				
	3	7700	10200	487	600	14.0	16.0	15.0	20.0				
	5	12795	17060	487	600	23.0	27.0	25.0	30.0				
	8	20500	27300	487	600	37.0	42.0	40.0	45.0				
	10	25575	34100	487	600	46.0	53.0	50.0	60.0				
24MPHP*-M-A	0	0	0	487	600	5.5	4.0	15.0	15.0				
	5	12795	17060	487	600	23.0	27.0	25.0	30.0				
	8	20500	27300	487	600	37.0	42.0	40.0	45.0				
	10	25575	34100	487	600	46.0	53.0	50.0	60.0				
	15	38400	51200	487	600	23.0	27.0	25.0	30.0	46.0	53.0	50.0	60.0
30MPHP*-M-A	0	0	0	487	600	8.0	6.0	15.0	15.0				
	5	12795	17060	487	600	23.0	27.0	25.0	30.0				
	8	20500	27300	487	600	37.0	42.0	40.0	45.0				
	10	25575	34100	487	600	46.0	53.0	50.0	60.0				
	15	38400	51200	487	600	23.0	27.0	25.0	30.0	46.0	53.0	50.0	60.0
36MPHP*-M-A	0	0	0	487	600	8.0	6.0	15.0	15.0				
	5	12795	17060	487	600	23.0	27.0	25.0	30.0				
	8	20500	27300	487	600	37.0	42.0	40.0	45.0				
	10	25575	34100	487	600	46.0	53.0	50.0	60.0				
	15	38400	51200	487	600	23.0	27.0	25.0	30.0	46.0	53.0	50.0	60.0
	20	51150	68200	487	600	46.0	53.0	50.0	60.0	46.0	53.0	50.0	60.0
48MPHP*-M-A	0	0	0	487	600	14.5	11.0	15.0	15.0				
	8	20500	27300	487	600	37.0	42.0	40.0	45.0				
	10	25575	34100	487	600	46.0	53.0	50.0	60.0				
	15	38400	51200	487	600	23.0	27.0	25.0	30.0	46.0	53.0	50.0	60.0
	20	51150	68200	487	600	46.0	53.0	50.0	60.0	46.0	53.0	50.0	60.0
60MPHP*-M-A	0	0	0	487	600	14.5	11.0	15.0	15.0				
	10	25575	34100	487	600	46.0	53.0	50.0	60.0				
	15	38400	51200	487	600	23.0	27.0	25.0	30.0	46.0	53.0	50.0	60.0
	20	51150	68200	487	600	46.0	53.0	50.0	60.0	46.0	53.0	50.0	60.0

All MPHP indoor units, with electric heat strip, shall be powered by a separate indoor electrical circuit which solely powers the strip heaters.

MPHP-HE-SYS-B

1.50 ton - 5.00 ton High Efficiency Systems

System Specifications

System Model		18MPHP0-HE-SYS-B	24MPHP0-HE-SYS-B	30MPHP0-HE-SYS-B
Indoor Model		18MPHP0-M-B	24MPHP0-M-B	30MPHP0-M-B
Outdoor Model		HES-18HD-B	HES-24HD-B	HES-30HD-B
Energy Star (Cold Climate Split HP)		No	Yes	No
Energy Star (Meets Peak Cooling Requirements)		Yes	Yes	No
Rated Cooling Capacity	BTU/H	18,000	24,000	30,000
Cooling Capacity Range (Min-Max)	BTU/H	5,350~20,000	7,200~27,000	10,400~34,000
SEER2		18.80	18.10	17.00
EER2		11.0	11.0	10.7
Rated Heating Capacity at 47°F	BTU/H	18,000	26,000	31,000
Heating Capacity at 17°F	BTU/H	12,600	22,000	20,600
Heating Capacity at 5°F	BTU/H	11,200	21,600	19,100
Heating Capacity at -4°F	BTU/H	9,000	17,300	15,500
Heating Capacity at -13°F	BTU/H	7,200	14,400	12,200
Heating Capacity Range (Min-Max)	BTU/H	5600~19,000	7,100~30,000	6,400~32,000
HSPF2		9.1	9.7	8.5
COP at 47°F	W/W	3.2	3.2	3.5
COP at 17°F	W/W	2.6	2.4	2.4
COP at 5°F	W/W	2.0	1.9	2.0
Room Temperature	Cooling	°F	60~90	60~90
	Heating	°F	32~86	32~86
Operation Temperature	Cooling	°F	-13~122	-13~122
	Heating	°F	-13~75	-13~75

System Model		36MPHP0-HE-SYS-B	48MPHP0-HE-SYS-B	60MPHP0-HE-SYS-B
Indoor Model		36MPHP0-M-B	48MPHP0-M-B	60MPHP0-M-B
Outdoor Model		HES-36HD-B	HES-48HD-B	HES-60HD-B
Energy Star (Cold Climate Split HP)		Yes	Yes	Yes
Energy Star (Meets Peak Cooling Requirements)		No	No	No
Rated Cooling Capacity	BTU/H	36,000	48,000	54,000
Cooling Capacity Range (Min-Max)	BTU/H	8,300~38,900	16,600~49,900	21,000~55,000
SEER2		16.10	16.00	15.20
EER2		10.0	10.0	8.6
Rated Heating Capacity at 47°F	BTU/H	36,000	48,000	54,000
Heating Capacity at 17°F	BTU/H	30,000	39,000	34,500
Heating Capacity at 5°F	BTU/H	27,000	38,000	38,000
Heating Capacity at -4°F	BTU/H	25,000	34,200	33,000
Heating Capacity at -13°F	BTU/H	20,000	32,500	29,000
Heating Capacity Range (Min-Max)	BTU/H	6,700~41,300	15,300~49,500	26,000~55,000
HSPF2		8.7	8.5	8.4
COP at 47°F	W/W	3.4	3.5	3.4
COP at 17°F	W/W	2.6	2.5	2.3
COP at 5°F	W/W	2.0	1.9	1.8
Room Temperature	Cooling	°F	60~90	60~90
	Heating	°F	32~86	32~86
Operation Temperature	Cooling	°F	-22~122	-22~122
	Heating	°F	-22~75	-22~75

HES

1.5 ton - 5.0 ton Heat Pump Outdoor Unit

Electrical, Refrigerant, Piping and Dimensional Data

Model		HES-18HD-B	HES-24HD-B	HES-30HD-B	HES-36HD-B	HES-48HD-B	HES-60HD-B
Power Supply	V/Hz/Ph	208/230/60/1					
Compressor	Type	Inverter					
Comm Wiring		AWG 20-2	AWG 20-2	AWG 20-2	AWG 20-2	AWG 20-2	AWG 20-2
Packaging	H x W x D	24.2 x 36.0 x 14.6	29.1 x 39.2 x 15.6	34.8 x 42.9 x 19.7	34.8 x 42.9 x 19.7	42.5 x 45.1 x 19.7	42.5 x 45.1 x 19.7
Packaged Weight	Lbs	84	109	152	164	224	224
Noise Level	dB(A)	55	60	60	63	65	65
Liquid - Suction	Inch	3/8 - 3/4	3/8 - 3/4	3/8 - 3/4	3/8 - 3/4	3/8 - 3/4	3/8 - 3/4
Max Lineset Length	Feet	98	164	164	246	246	246
Max Lineset Vertical Lift	Feet	66	82	82	98	98	98
Refrigerant		R454b	R454b	R454b	R454b	R454b	R454b
Refrigerant	Feet	25	25	25	25	25	25
Additional Charge	Oz	0.7	0.7	0.7	0.7	0.7	0.7
Design Pressure	Psi	550	550	550	550	550	550
Indoor Operating Range	Cooling DB Min / Max	60°F / 90°F	60°F / 90°F	60°F / 90°F	60°F / 90°F	60°F / 90°F	60°F / 90°F
	Heating DB Min / Max	32°F / 86°F	32°F / 86°F	32°F / 86°F	32°F / 86°F	32°F / 86°F	32°F / 86°F
Outdoor Operating Range	Cooling DB Min / Max	-13°F / 122°F	-13°F / 122°F	-13°F / 122°F	-13°F / 122°F	-13°F / 122°F	-13°F / 122°F
	Heating DB Min / Max	-13°F / 75°F	-13°F / 75°F	-13°F / 75°F	-13°F / 75°F	-13°F / 75°F	-13°F / 75°F

Outdoor Heat Pumps Only

Unit	V / PH	Oper Volts		Compressor	Fan	MCA	MOP
		Max	Min	Input (W)	Input (W)		
HES-18HD-B	208/230/1	253	187	1090	34	16.0	20.0
HES-24HD-B		253	187	2045	80	19.0	20.0
HES-30HD-B		253	187	2200	120	22.5	25.0
HES-36HD-B		253	187	2765	120	24.0	30.0
HES-48HD-B		253	187	4900	250	36.0	40.0
HES-60HD-B		254	188	4900	250	39.0	40.0

MCA - Minimum Circuit Ampacity

Outdoor Heat Pumps with Matching Indoor Units

Outdoor Heat Pump				Indoor Air Handler				
Model	V / PH	MCA	MOP	Model	MCA	MOP	MCA	MOP
		208V / 230V			115V		208V / 230V	
HES-18HD-B	208/230/1	16.0	20.0	18MPHP0-M-B	5.5	15.0	4.0	15.0
HES-24HD-B		19.0	20.0	24MPHP0-M-B	5.5	15.0	4.0	15.0
HES-30HD-B		22.5	25.0	30MPHP0-M-B	8.0	15.0	6.0	15.0
HES-36HD-B		24.0	30.0	36MPHP0-M-B	8.0	15.0	6.0	15.0
HES-48HD-B		36.0	40.0	48MPHP0-M-B	14.5	15.0	11.0	15.0
HES-60HD-B		39.0	40.0	60MPHP0-M-B	14.5	15.0	11.0	15.0

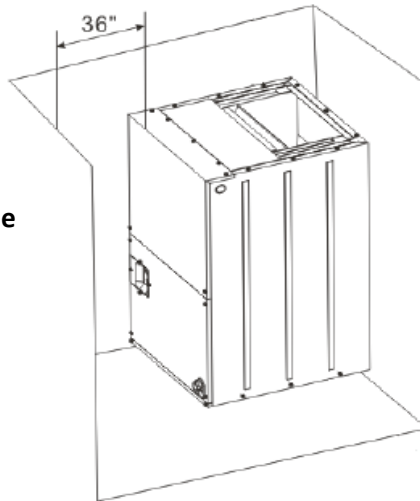
MCA - Minimum Circuit Ampacity

Multi Manufacturing | 33380 Zeiders Rd., Ste 101 | Menifee, CA 92584 | Phone 888-741-9775 | Fax 760-480-8904 | www.multimfg-usa.com

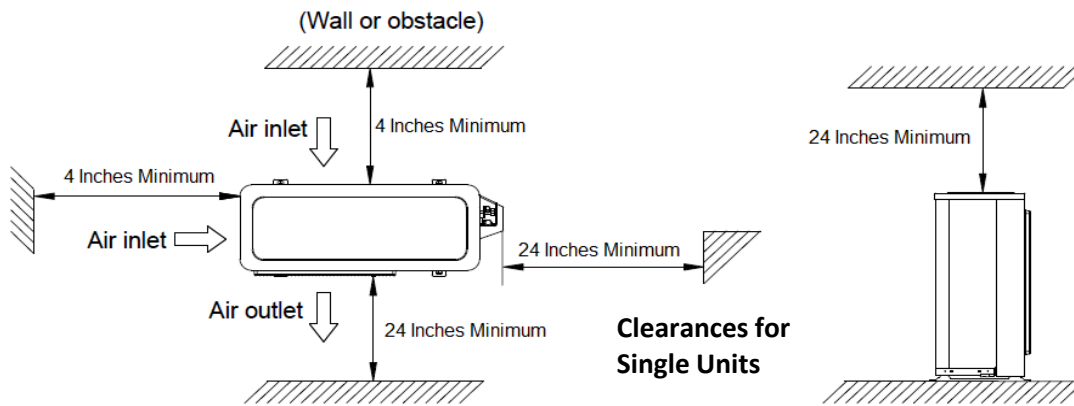
Clearances

MPHP Indoor Units

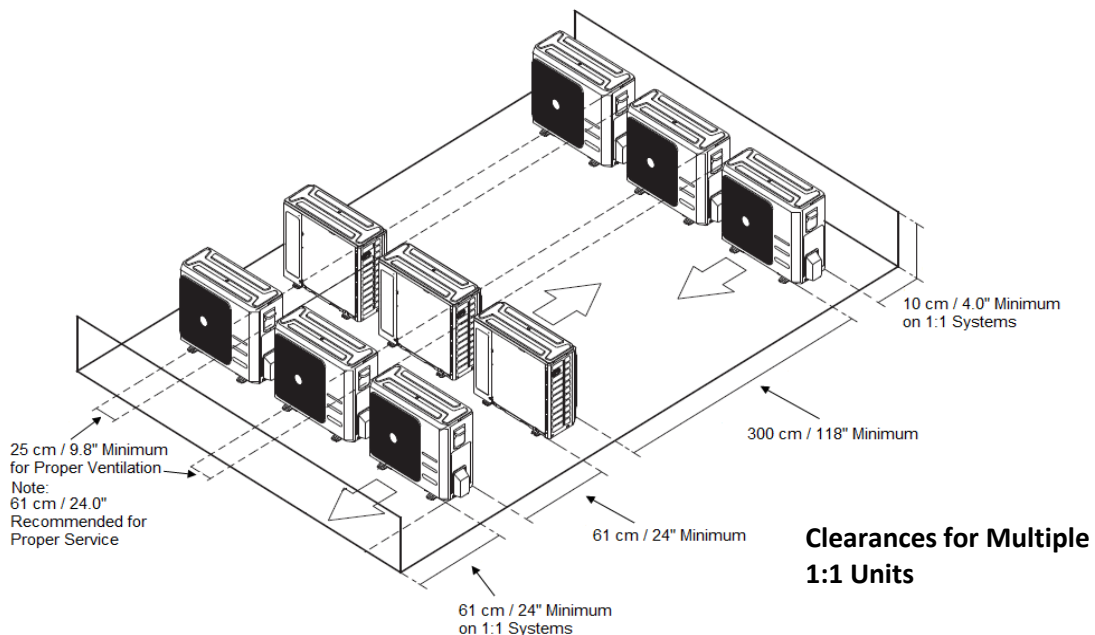
Service Clearance of 36" at the front of the unit



HES Outdoor Units



Clearances for Single Units



Clearances for Multiple 1:1 Units

MPHP

1.5 ton - 5.0 ton Heat Pump Air Handler

Blower Table

AHU Model Number	Speed	EXTERNAL STATIC PRESSURE (in.w.g.)									
		0	0.1	0.15	0.2	0.3	0.4	0.5	0.6	0.8	1.0
18MPHP	Turbo	611	616	618	615	612	618	620	610	613	
	High	573	577	580	576	579	574	573	576	577	574
	Medium	524	528	532	542	523	524	533	523	521	519
	Low	489	493	490	488	501	497	495	492	489	488
24MPHP	Turbo	820	825	822	820	825	822	825	820	822	
	High	752	746	750	756	750	746	741	745	735	714
	Medium	692	690	685	695	693	692	688	684	670	654
	Low	598	613	625	630	632	635	631	624	614	624
30MPHP	Turbo	986	984	983	980	985	989	985	992	988	
	High	899	895	902	898	900	909	901	908	905	899
	Medium	813	811	813	816	815	811	809	801	807	801
	Low	722	705	713	705	708	711	707	704	702	698
36MPHP	Turbo	1179	1180	1185	1182	1184	1191	1182	1189	1188	
	High	1137	1123	1119	1120	1112	1111	1113	1101	1094	1088
	Medium	1010	1001	1001	1000	995	995	996	983	996	969
	Low	879	883	888	892	893	893	892	890	873	826
48MPHP	Turbo	1465	1467	1480	1470	1466	1475	1470	1478	1473	
	High	1325	1328	1337	1337	1330	1333	1338	1335	1321	1321
	Medium	1155	1156	1154	1154	1143	1147	1149	1143	1140	1113
	Low	946	943	942	948	947	940	940	933	925	925
60MPHP	Turbo	1799	1800	1798	1796	1802	1805	1798	1800	1806	
	High	1591	1595	1604	1604	1599	1602	1605	1603	1589	1586
	Medium	1255	1257	1262	1262	1256	1258	1259	1255	1251	1232
	Low	1142	1143	1142	1145	1143	1147	1149	1143	1140	1113

Please see page 11 special settings for increased air flow.

MPHP

1.5 ton - 5.0 ton Heat Pump Air Handler

Various Air Handler Blower Settings

Air Handler	Fan Speed	CFM	Air Handler	Fan Speed	CFM
18MPHP0 (1/3HP)	Cooling Turbo	618	36MPHP0 (1/2HP)	Cooling Turbo	1188
	Cooling High	576		Cooling High	1082
	Cooling Medium	529		Cooling Medium	971
	Cooling Low	488		Cooling Low	865
	Heat Pump Turbo	565		Heat Pump Turbo	1112
	Heat Pump High	541		Heat Pump High	1059
	Heat Pump Medium	435		Heat Pump Medium	794
	Heat Pump Low	400		Heat Pump Low	582
	Aux Heater Default 0	653		Aux Heater Default 0	1306
	Auxiliary Heater 1	624		Auxiliary Heater 1	1241
	Auxiliary Heater 2	594		Auxiliary Heater 2	1176
	Auxiliary Heater 3	565		Auxiliary Heater 3	1112
24MPHP0 (1/2HP)	Cooling Turbo	824	48MPHP0 (3/4HP)	Cooling Turbo	1471
	Cooling High	759		Cooling High	1282
	Cooling Medium	694		Cooling Medium	1094
	Cooling Low	629		Cooling Low	906
	Heat Pump Turbo	788		Heat Pump Turbo	1471
	Heat Pump High	753		Heat Pump High	1306
	Heat Pump Medium	641		Heat Pump Medium	1141
	Heat Pump Low	524		Heat Pump Low	976
	Aux Heater Default 0	871		Aux Heater Default 0	1741
	Auxiliary Heater 1	841		Auxiliary Heater 1	1653
	Auxiliary Heater 2	818		Auxiliary Heater 2	1559
	Auxiliary Heater 3	788		Auxiliary Heater 3	1471
30MPHP0 (1/2HP)	Cooling Turbo	988	60MPHP0 (1HP)	Cooling Turbo	1806
	Cooling High	894		Cooling High	1582
	Cooling Medium	806		Cooling Medium	1359
	Cooling Low	712		Cooling Low	1135
	Heat Pump Turbo	918		Heat Pump Turbo	1659
	Heat Pump High	876		Heat Pump High	1582
	Heat Pump Medium	665		Heat Pump Medium	1247
	Heat Pump Low	453		Heat Pump Low	976
	Aux Heater Default 0	1088		Aux Heater Default 0	2171
	Auxiliary Heater 1	1029		Auxiliary Heater 1	2029
	Auxiliary Heater 2	976		Auxiliary Heater 2	1894
	Auxiliary Heater 3	918		Auxiliary Heater 3	1753

Notes:

1. Cooling Turbo & Heat Pump Turbo fan speeds are only available when using the DWC120X2 wired wall controller.
2. Auxiliary Heater fan speeds are available with either DWC120X2 wired wall controller or 24V thermostat.
3. The Auxiliary Heater settings 0, 1, 2 and 3 are set with dip switches, on the air handler board.

Matched System Ratings

System	Indoor Air Handler	Outdoor HP	SEER2	EER2	COP	HSPF2	BTU Cooling	BTU Heating	AHRI Reference Number
18MPHP0-HE-SYS-B	18MPHP0-M-B	HES-18HD-B	18.80	11.0	3.2	9.1	18,000	18,000	216760027
24MPHP0-HE-SYS-B	24MPHP0-M-B	HES-24HD-B	18.10	11.0	3.2	9.7	24,000	26,000	216760028
30MPHP0-HE-SYS-B	30MPHP0-M-B	HES-30HD-B	17.00	10.7	3.5	8.5	30,000	31,000	216760029
36MPHP0-HE-SYS-B	36MPHP0-M-B	HES-36HD-B	16.10	10.0	3.4	8.7	36,000	36,000	216760030
48MPHP0-HE-SYS-B	48MPHP0-M-B	HES-48HD-B	16.00	10.0	3.5	8.5	48,000	48,000	216760031
60MPHP0-HH-SYS-B	60MPHP0-M-B	HES-60HD-B	15.20	8.6	3.4	8.4	54,000	54,000	216760032

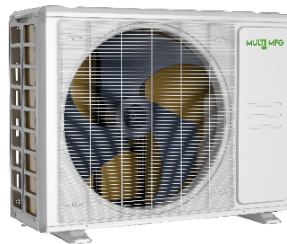
Air Handler Noise Level (dBA)

Fan Coil	High	Med	Low
18MPHP0-M-B	41.0	39.0	33.0
24MPHP0-M-B	44.0	42.0	28.0
30MPHP0-M-B	46.0	43.0	27.5
36MPHP0-M-B	48.0	45.5	25.5
48MPHP0-M-B	52.0	50.0	34.0
60MPHP0-M-B	52.0	49.5	34.5



Outdoor HP Noise Level

Fan Coil	dBA
HES-18HD-B	55.0
HES-24HD-B	60.0
HES-30HD-B	60.0
HES-36HD-B	63.0
HES-48HD-B	65.0
HES-60HD-B	65.0



18MPHP-HE-SYS Expanded Cooling @ 490 CFM

CFM	OD DB (°F)	ID WB	60.8°F (16.0°C)					64.4°F (18.0°C)					67°F (19.4°C)					71.6°F (22.0°C)														
			73.4°F		77.0°F		80.0°F		80.6°F		84.2°F		73.4°F		77.0°F		80.0°F		80.6°F		84.2°F		73.4°F		77.0°F		80.0°F		80.6°F		84.2°F	
			23.0°C	25.0°C	26.7°C	27.0°C	29.0°C	23.0°C	25.0°C	26.7°C	27.0°C	29.0°C	23.0°C	25.0°C	26.7°C	27.0°C	29.0°C	23.0°C	25.0°C	26.7°C	27.0°C	29.0°C	23.0°C	25.0°C	26.7°C	27.0°C	29.0°C	23.0°C	25.0°C	26.7°C	27.0°C	29.0°C
490	50°F (10°C)	TC	16545	16567	16585	16586	16608	17542	17563	17580	17584	17605	18590	18614	18635	18639	18659	19710	19732	19753	19756	19781										
		S/T	0.45	0.52	0.59	0.59	0.68	0.47	0.55	0.63	0.63	0.72	0.50	0.59	0.67	0.67	0.76	0.53	0.62	0.71	0.71	0.81										
		PI	0.60	0.60	0.60	0.60	0.61	0.64	0.64	0.64	0.64	0.64	0.68	0.68	0.68	0.68	0.68	0.72	0.72	0.72	0.72	0.72										
	59°F (15°C)	TC	17189	17212	17231	17232	17255	18225	18247	18265	18268	18290	19314	19339	19360	19364	19386	20478	20500	20522	20525	20551										
		S/T	0.45	0.53	0.60	0.60	0.68	0.47	0.56	0.63	0.63	0.72	0.50	0.59	0.67	0.67	0.76	0.53	0.63	0.71	0.71	0.81										
		PI	0.70	0.70	0.70	0.70	0.70	0.74	0.74	0.74	0.74	0.75	0.79	0.79	0.79	0.79	0.79	0.83	0.84	0.84	0.84	0.84										
	68°F (20°C)	TC	17833	17857	17876	17877	17901	18908	18930	18949	18953	18975	20037	20064	20086	20090	20112	21245	21268	21291	21294	21321										
		S/T	0.46	0.54	0.61	0.61	0.70	0.49	0.57	0.65	0.65	0.74	0.52	0.61	0.69	0.69	0.79	0.55	0.64	0.73	0.73	0.83										
		PI	0.80	0.80	0.80	0.80	0.80	0.85	0.85	0.85	0.85	0.85	0.90	0.90	0.90	0.90	0.90	0.95	0.95	0.95	0.95	0.95										
	77°F (25°C)	TC	18477	18502	18522	18523	18548	19591	19614	19633	19637	19660	20761	20788	20811	20815	20838	22012	22036	22060	22063	22091										
		S/T	0.47	0.55	0.62	0.62	0.71	0.49	0.58	0.66	0.66	0.75	0.52	0.61	0.70	0.70	0.80	0.55	0.65	0.74	0.74	0.84										
		PI	0.90	0.90	0.90	0.90	0.90	0.95	0.95	0.95	0.95	0.95	1.01	1.01	1.01	1.01	1.01	1.07	1.07	1.07	1.07	1.07										
	82°F (27.8°C)	TC	18636	18661	18682	18682	18708	19759	19783	19802	19806	19830	20940	20967	20991	20994	21018	22202	22226	22250	22253	22281										
		S/T	0.47	0.55	0.63	0.63	0.72	0.50	0.59	0.67	0.67	0.76	0.53	0.62	0.71	0.71	0.81	0.56	0.66	0.75	0.75	0.85										
		PI	1.02	1.02	1.02	1.02	1.02	1.08	1.08	1.08	1.08	1.08	1.15	1.15	1.15	1.15	1.15	1.21	1.22	1.22	1.22	1.22										
	86°F (30°C)	TC	18513	18538	18558	18559	18584	19629	19652	19671	19675	19699	20801	20828	20852	20856	20879	22055	22079	22103	22106	22134										
		S/T	0.48	0.56	0.64	0.64	0.73	0.51	0.59	0.68	0.68	0.77	0.54	0.63	0.72	0.72	0.82	0.57	0.67	0.76	0.76	0.86										
		PI	1.21	1.21	1.21	1.21	1.21	1.28	1.28	1.28	1.28	1.28	1.36	1.36	1.36	1.36	1.36	1.44	1.44	1.44	1.44	1.44										
	95°F (35°C)	TC	18235	18260	18280	18280	18305	19334	19357	19376	19380	19403	20490	20516	20539	20543	20566	21724	21748	21771	21775	21802										
		S/T	0.48	0.56	0.64	0.64	0.73	0.51	0.59	0.68	0.68	0.77	0.54	0.63	0.72	0.72	0.82	0.57	0.67	0.76	0.76	0.86										
		PI	1.63	1.63	1.63	1.63	1.63	1.73	1.73	1.73	1.73	1.73	1.83	1.83	1.83	1.83	1.84	1.94	1.94	1.94	1.94	1.95										
	104°F (40°C)	TC	16198	16220	16237	16238	16260	17174	17194	17211	17215	17235	18200	18224	18244	18247	18268	19297	19318	19339	19342	19366										
		S/T	0.49	0.57	0.65	0.65	0.74	0.52	0.61	0.69	0.69	0.79	0.55	0.65	0.73	0.73	0.84	0.58	0.68	0.78	0.78	0.89										
		PI	1.71	1.71	1.71	1.71	1.71	1.81	1.81	1.81	1.81	1.82	1.92	1.92	1.92	1.92	1.93	2.03	2.04	2.04	2.04	2.04										
110°F (43°C)	TC	14975	14996	15012	15012	15033	15878	15897	15912	15916	15934	16826	16848	16867	16870	16889	17840	17860	17879	17882	17904											
	S/T	0.51	0.60	0.68	0.68	0.77	0.54	0.63	0.72	0.72	0.82	0.57	0.67	0.76	0.76	0.87	0.60	0.71	0.81	0.81	0.92											
	PI	1.75	1.76	1.76	1.76	1.76	1.86	1.86	1.86	1.86	1.87	1.97	1.97	1.98	1.98	1.98	2.09	2.09	2.09	2.10	2.10											
115°F (46°C)	TC	13771	13789	13804	13805	13824	14601	14618	14633	14636	14653	15473	15493	15511	15513	15531	16405	16423	16441	16444	16464											
	S/T	0.51	0.60	0.68	0.68	0.78	0.54	0.64	0.73	0.73	0.83	0.58	0.68	0.77	0.77	0.88	0.61	0.72	0.82	0.82	0.93											
	PI	1.68	1.69	1.69	1.69	1.69	1.78	1.79	1.79	1.79	1.79	1.89	1.89	1.90	1.90	1.90	2.01	2.01	2.01	2.01	2.01											
122°F (50°C)	TC	12165	12181	12195	12195	12212	12898	12914	12926	12929	12944	13669	13687	13702	13704	13720	14492	14508	14524	14526	14544											
	S/T	0.53	0.62	0.70	0.70	0.80	0.56	0.65	0.74	0.74	0.85	0.59	0.69	0.79	0.79	0.90	0.63	0.73	0.83	0.83	0.95											
	PI	1.59	1.59	1.59	1.59	1.59	1.68	1.69	1.69	1.69	1.69	1.78	1.79	1.79	1.79	1.79	1.89	1.89	1.90	1.90	1.90											

TC:Total Cooling Capacity (BTU/hr)

S/T:Sensible Cooling Capacity Ratio

PI:Power Input(kW)

18MPHP-HE-SYS Expanded Cooling @ 530 CFM

CFM	OD DB (°F)	ID WB ID DB	60.8°F (16.0°C)					64.4°F (18.0°C)					67°F (19.4°C)					71.6°F (22.0°C)				
			73.4°F	77.0°F	80.0°F	80.6°F	84.2°F	73.4°F	77.0°F	80.0°F	80.6°F	84.2°F	73.4°F	77.0°F	80.0°F	80.6°F	84.2°F	73.4°F	77.0°F	80.0°F	80.6°F	84.2°F
			23.0°C	25.0°C	26.7°C	27.0°C	29.0°C	23.0°C	25.0°C	26.7°C	27.0°C	29.0°C	23.0°C	25.0°C	26.7°C	27.0°C	29.0°C	23.0°C	25.0°C	26.7°C	27.0°C	29.0°C
530	50°F (10°C)	TC	14451	14470	14486	14486	14506	15321	15340	15355	15358	15376	16237	16258	16276	16279	16297	17215	17234	17253	17255	17277
		S/T	0.46	0.54	0.62	0.62	0.70	0.49	0.58	0.65	0.65	0.75	0.52	0.61	0.69	0.69	0.79	0.55	0.65	0.73	0.73	0.84
		PI	0.73	0.73	0.73	0.73	0.73	0.78	0.78	0.78	0.78	0.78	0.82	0.82	0.82	0.82	0.83	0.87	0.87	0.87	0.87	0.88
	59°F (15°C)	TC	14577	14597	14612	14613	14633	15455	15474	15489	15492	15510	16379	16400	16418	16421	16440	17366	17384	17403	17406	17428
		S/T	0.46	0.55	0.62	0.62	0.71	0.49	0.58	0.66	0.66	0.75	0.52	0.61	0.70	0.70	0.79	0.55	0.65	0.74	0.74	0.84
		PI	0.76	0.76	0.76	0.76	0.76	0.80	0.80	0.80	0.80	0.81	0.85	0.85	0.85	0.85	0.85	0.90	0.90	0.90	0.90	0.91
	68°F (20°C)	TC	14703	14723	14739	14740	14759	15589	15608	15623	15626	15645	16521	16542	16561	16564	16582	17516	17535	17554	17557	17579
		S/T	0.48	0.56	0.64	0.64	0.73	0.51	0.59	0.67	0.67	0.77	0.54	0.63	0.71	0.71	0.81	0.57	0.67	0.76	0.76	0.86
		PI	0.78	0.78	0.78	0.78	0.79	0.83	0.83	0.83	0.83	0.83	0.88	0.88	0.88	0.88	0.88	0.93	0.93	0.93	0.93	0.94
	77°F (25°C)	TC	14830	14850	14866	14866	14886	15723	15742	15757	15761	15779	16663	16684	16703	16706	16725	17667	17686	17705	17708	17730
		S/T	0.48	0.57	0.64	0.64	0.73	0.51	0.60	0.68	0.68	0.78	0.54	0.64	0.72	0.72	0.83	0.58	0.68	0.77	0.77	0.88
		PI	0.81	0.81	0.81	0.81	0.81	0.86	0.86	0.86	0.86	0.86	0.91	0.91	0.91	0.91	0.91	0.96	0.96	0.96	0.96	0.97
	82°F (27.8°C)	TC	15134	15154	15170	15171	15191	16046	16065	16081	16084	16103	17004	17026	17045	17049	17068	18029	18048	18068	18071	18093
		S/T	0.49	0.57	0.65	0.65	0.74	0.52	0.61	0.69	0.69	0.79	0.55	0.65	0.73	0.73	0.84	0.58	0.68	0.78	0.78	0.89
		PI	0.91	0.91	0.91	0.91	0.92	0.97	0.97	0.97	0.97	0.97	1.02	1.03	1.03	1.03	1.03	1.09	1.09	1.09	1.09	1.09
	86°F (30°C)	TC	15672	15693	15710	15711	15732	16617	16636	16653	16656	16676	17609	17632	17652	17655	17675	18670	18691	18711	18714	18737
		S/T	0.50	0.58	0.66	0.66	0.75	0.53	0.62	0.70	0.70	0.80	0.56	0.65	0.74	0.74	0.85	0.59	0.69	0.79	0.79	0.90
		PI	1.11	1.11	1.11	1.11	1.11	1.18	1.18	1.18	1.18	1.18	1.25	1.25	1.25	1.25	1.25	1.32	1.32	1.32	1.32	1.33
	95°F (35°C)	TC	16883	16906	16924	16925	16948	17901	17922	17940	17943	17965	18970	18995	19016	19020	19041	20113	20135	20157	20160	20185
		S/T	0.50	0.58	0.66	0.66	0.75	0.53	0.62	0.70	0.70	0.80	0.56	0.65	0.74	0.74	0.85	0.59	0.69	0.79	0.79	0.90
		PI	1.55	1.55	1.56	1.56	1.56	1.64	1.65	1.65	1.65	1.65	1.74	1.75	1.75	1.75	1.75	1.85	1.85	1.85	1.85	1.85
	104°F (40°C)	TC	14479	14498	14514	14515	14534	15351	15370	15385	15388	15406	16268	16290	16308	16311	16329	17249	17267	17286	17289	17310
		S/T	0.51	0.60	0.68	0.68	0.77	0.54	0.63	0.72	0.72	0.82	0.57	0.67	0.76	0.76	0.87	0.61	0.71	0.81	0.81	0.92
		PI	1.41	1.42	1.42	1.42	1.42	1.50	1.50	1.50	1.50	1.50	1.59	1.59	1.59	1.59	1.59	1.68	1.69	1.69	1.69	1.69
110°F (43°C)	TC	13036	13053	13068	13068	13086	13822	13838	13852	13854	13871	14647	14666	14683	14685	14702	15530	15547	15564	15566	15585	
	S/T	0.53	0.62	0.70	0.70	0.80	0.56	0.66	0.74	0.74	0.85	0.59	0.69	0.79	0.79	0.90	0.63	0.74	0.84	0.84	0.95	
	PI	1.33	1.33	1.33	1.33	1.34	1.41	1.41	1.41	1.41	1.42	1.49	1.50	1.50	1.50	1.50	1.58	1.59	1.59	1.59	1.59	
115°F (46°C)	TC	10821	10835	10847	10847	10862	11473	11486	11498	11500	11513	12158	12174	12187	12190	12203	12891	12905	12919	12921	12937	
	S/T	0.53	0.63	0.71	0.71	0.81	0.56	0.66	0.75	0.75	0.86	0.60	0.70	0.80	0.80	0.91	0.63	0.74	0.85	0.85	0.96	
	PI	1.20	1.20	1.20	1.20	1.20	1.27	1.27	1.27	1.27	1.28	1.35	1.35	1.35	1.35	1.35	1.43	1.43	1.43	1.43	1.43	
122°F (50°C)	TC	7867	7877	7886	7886	7897	8341	8351	8359	8360	8370	8839	8850	8860	8862	8872	9372	9382	9392	9393	9405	
	S/T	0.55	0.64	0.73	0.73	0.83	0.58	0.68	0.77	0.77	0.88	0.61	0.72	0.82	0.82	0.93	0.65	0.76	0.87	0.87	0.99	
	PI	1.02	1.03	1.03	1.03	1.03	1.09	1.09	1.09	1.09	1.09	1.15	1.15	1.15	1.15	1.16	1.22	1.22	1.22	1.22	1.22	

TC:Total Cooling Capacity (BTU/hr)

S/T:Sensible Cooling Capacity Ratio

PI:Power Input(kW)

18MPHP-HE-SYS Expanded Cooling @ 580 CFM

CFM	OD DB (°F)	ID WB ID DB	60.8°F (16.0°C)					64.4°F (18.0°C)					67°F (19.4°C)					71.6°F (22.0°C)				
			73.4°F	77.0°F	80.0°F	80.6°F	84.2°F	73.4°F	77.0°F	80.0°F	80.6°F	84.2°F	73.4°F	77.0°F	80.0°F	80.6°F	84.2°F	73.4°F	77.0°F	80.0°F	80.6°F	84.2°F
			23.0°C	25.0°C	26.7°C	27.0°C	29.0°C	23.0°C	25.0°C	26.7°C	27.0°C	29.0°C	23.0°C	25.0°C	26.7°C	27.0°C	29.0°C	23.0°C	25.0°C	26.7°C	27.0°C	29.0°C
580	50°F (10°C)	TC	14997	15017	15034	15034	15055	15901	15920	15936	15939	15958	16851	16873	16892	16895	16914	17866	17886	17905	17908	17930
		S/T	0.48	0.56	0.64	0.64	0.73	0.51	0.60	0.68	0.68	0.77	0.54	0.63	0.72	0.72	0.82	0.57	0.67	0.76	0.76	0.87
		PI	0.76	0.76	0.76	0.76	0.76	0.81	0.81	0.81	0.81	0.81	0.85	0.85	0.86	0.86	0.86	0.91	0.91	0.91	0.91	0.91
	59°F (15°C)	TC	15128	15149	15165	15166	15186	16040	16059	16075	16078	16097	16998	17020	17039	17043	17062	18023	18042	18062	18065	18087
		S/T	0.48	0.57	0.64	0.64	0.73	0.51	0.60	0.68	0.68	0.78	0.54	0.64	0.72	0.72	0.82	0.57	0.67	0.77	0.77	0.87
		PI	0.79	0.79	0.79	0.79	0.79	0.83	0.83	0.84	0.84	0.84	0.88	0.88	0.89	0.89	0.89	0.94	0.94	0.94	0.94	0.94
	68°F (20°C)	TC	15259	15280	15296	15297	15318	16179	16198	16214	16217	16237	17146	17168	17187	17190	17209	18179	18199	18218	18221	18244
		S/T	0.50	0.58	0.66	0.66	0.75	0.52	0.62	0.70	0.70	0.80	0.56	0.65	0.74	0.74	0.85	0.59	0.69	0.79	0.79	0.90
		PI	0.81	0.81	0.81	0.81	0.82	0.86	0.86	0.86	0.86	0.86	0.91	0.91	0.91	0.91	0.92	0.97	0.97	0.97	0.97	0.97
	77°F (25°C)	TC	15391	15411	15428	15429	15449	16318	16337	16354	16357	16376	17293	17315	17335	17338	17357	18335	18355	18375	18378	18401
		S/T	0.50	0.59	0.67	0.67	0.76	0.53	0.62	0.71	0.71	0.81	0.56	0.66	0.75	0.75	0.86	0.60	0.70	0.80	0.80	0.91
		PI	0.84	0.84	0.84	0.84	0.84	0.89	0.89	0.89	0.89	0.89	0.94	0.94	0.94	0.94	0.95	1.00	1.00	1.00	1.00	1.00
	82°F (27.8°C)	TC	15706	15727	15744	15745	15766	16653	16672	16689	16692	16712	17648	17671	17690	17693	17713	18711	18731	18752	18755	18778
		S/T	0.51	0.60	0.68	0.68	0.77	0.54	0.63	0.72	0.72	0.82	0.57	0.67	0.76	0.76	0.87	0.61	0.71	0.81	0.81	0.92
		PI	0.95	0.95	0.95	0.95	0.95	1.00	1.00	1.01	1.01	1.01	1.06	1.06	1.07	1.07	1.07	1.13	1.13	1.13	1.13	1.13
	86°F (30°C)	TC	16265	16287	16304	16305	16327	17245	17266	17283	17286	17307	18275	18299	18320	18323	18343	19377	19398	19419	19422	19446
		S/T	0.51	0.60	0.69	0.69	0.78	0.55	0.64	0.73	0.73	0.83	0.58	0.68	0.77	0.77	0.88	0.61	0.72	0.82	0.82	0.93
		PI	1.15	1.15	1.15	1.15	1.15	1.22	1.22	1.22	1.22	1.22	1.29	1.29	1.30	1.30	1.30	1.37	1.37	1.37	1.37	1.38
	95°F (35°C)	TC	17522	17546	17565	17565	17589	18578	18600	18619	18622	18644	19688	19714	19736	19739	19761	20874	20897	20920	20923	20949
		S/T	0.51	0.60	0.69	0.69	0.78	0.55	0.64	0.73	0.73	0.83	0.58	0.68	0.77	0.77	0.88	0.61	0.72	0.82	0.82	0.93
		PI	1.61	1.61	1.61	1.61	1.62	1.71	1.71	1.71	1.71	1.71	1.81	1.81	1.81	1.81	1.82	1.92	1.92	1.92	1.92	1.92
	104°F (40°C)	TC	15027	15047	15063	15064	15084	15932	15951	15967	15970	15989	16884	16906	16925	16928	16947	17901	17921	17940	17943	17965
		S/T	0.53	0.62	0.70	0.70	0.80	0.56	0.66	0.75	0.75	0.85	0.59	0.70	0.79	0.79	0.90	0.63	0.74	0.84	0.84	0.95
		PI	1.47	1.47	1.47	1.47	1.47	1.56	1.56	1.56	1.56	1.56	1.65	1.65	1.65	1.65	1.65	1.75	1.75	1.75	1.75	1.75
110°F (43°C)	TC	13529	13547	13562	13563	13581	14344	14361	14376	14378	14396	15201	15221	15238	15241	15258	16117	16135	16152	16155	16175	
	S/T	0.55	0.64	0.73	0.73	0.83	0.58	0.68	0.77	0.77	0.88	0.61	0.72	0.82	0.82	0.93	0.65	0.76	0.87	0.87	0.99	
	PI	1.38	1.38	1.38	1.38	1.39	1.46	1.47	1.47	1.47	1.47	1.55	1.55	1.56	1.56	1.56	1.64	1.65	1.65	1.65	1.65	
115°F (46°C)	TC	11230	11245	11257	11258	11273	11907	11921	11932	11935	11949	12618	12634	12648	12651	12665	13378	13393	13407	13409	13426	
	S/T	0.55	0.65	0.74	0.74	0.84	0.59	0.69	0.78	0.78	0.89	0.62	0.73	0.83	0.83	0.94	0.66	0.77	0.88	0.88	1.00	
	PI	1.24	1.25	1.25	1.25	1.25	1.32	1.32	1.32	1.32	1.32	1.40	1.40	1.40	1.40	1.40	1.48	1.48	1.49	1.49	1.49	
122°F (50°C)	TC	8164	8175	8184	8184	8195	8656	8666	8675	8677	8687	9173	9185	9195	9197	9207	9726	9737	9747	9749	9761	
	S/T	0.57	0.66	0.75	0.75	0.86	0.60	0.70	0.80	0.80	0.91	0.64	0.75	0.85	0.85	0.97	0.67	0.79	0.90	0.90	1.00	
	PI	1.06	1.06	1.07	1.07	1.07	1.13	1.13	1.13	1.13	1.13	1.19	1.20	1.20	1.20	1.20	1.27	1.27	1.27	1.27	1.27	

TC:Total Cooling Capacity (BTU/hr)

S/T:Sensible Cooling Capacity Ratio

PI:Power Input(kW)

18MPHP-HE-SYS Expanded Cooling @ 620 CFM

CFM	OD DB (°F)	ID WB	60.8°F (16.0°C)					64.4°F (18.0°C)					67°F (19.4°C)					71.6°F (22.0°C)				
			73.4°F	77.0°F	80.0°F	80.6°F	84.2°F	73.4°F	77.0°F	80.0°F	80.6°F	84.2°F	73.4°F	77.0°F	80.0°F	80.6°F	84.2°F	73.4°F	77.0°F	80.0°F	80.6°F	84.2°F
			23.0°C	25.0°C	26.7°C	27.0°C	29.0°C	23.0°C	25.0°C	26.7°C	27.0°C	29.0°C	23.0°C	25.0°C	26.7°C	27.0°C	29.0°C	23.0°C	25.0°C	26.7°C	27.0°C	29.0°C
620	50°F (10°C)	TC	15565	15586	15602	15603	15624	16503	16522	16538	16542	16561	17489	17511	17531	17534	17554	18542	18562	18583	18585	18609
		S/T	0.50	0.58	0.66	0.66	0.76	0.53	0.62	0.70	0.70	0.80	0.56	0.66	0.75	0.75	0.85	0.59	0.70	0.79	0.79	0.90
		PI	0.79	0.79	0.79	0.79	0.79	0.84	0.84	0.84	0.84	0.84	0.89	0.89	0.89	0.89	0.89	0.94	0.94	0.94	0.94	0.94
	59°F (15°C)	TC	15701	15722	15739	15739	15761	16647	16667	16683	16686	16706	17641	17664	17684	17687	17707	18704	18725	18745	18748	18771
		S/T	0.50	0.59	0.67	0.67	0.76	0.53	0.62	0.71	0.71	0.81	0.56	0.66	0.75	0.75	0.86	0.60	0.70	0.80	0.80	0.91
		PI	0.82	0.82	0.82	0.82	0.82	0.86	0.87	0.87	0.87	0.87	0.92	0.92	0.92	0.92	0.92	0.97	0.97	0.97	0.97	0.98
	68°F (20°C)	TC	15837	15858	15875	15876	15897	16791	16811	16828	16831	16851	17794	17817	17837	17841	17861	18866	18887	18908	18910	18934
		S/T	0.51	0.60	0.69	0.69	0.78	0.54	0.64	0.73	0.73	0.83	0.58	0.68	0.77	0.77	0.88	0.61	0.72	0.82	0.82	0.93
		PI	0.84	0.84	0.84	0.84	0.85	0.89	0.89	0.90	0.90	0.90	0.95	0.95	0.95	0.95	0.95	1.00	1.00	1.01	1.01	1.01
	77°F (25°C)	TC	15973	15994	16012	16012	16034	16935	16955	16972	16976	16996	17947	17971	17991	17994	18014	19029	19049	19070	19073	19097
		S/T	0.52	0.61	0.69	0.69	0.79	0.55	0.65	0.74	0.74	0.84	0.59	0.69	0.78	0.78	0.89	0.62	0.73	0.83	0.83	0.94
		PI	0.87	0.87	0.87	0.87	0.87	0.92	0.92	0.92	0.92	0.93	0.98	0.98	0.98	0.98	0.98	1.04	1.04	1.04	1.04	1.04
	82°F (27.8°C)	TC	16300	16322	16340	16341	16363	17283	17303	17320	17324	17344	18315	18339	18359	18363	18383	19419	19440	19461	19464	19488
		S/T	0.53	0.62	0.70	0.70	0.80	0.56	0.66	0.75	0.75	0.85	0.59	0.70	0.79	0.79	0.90	0.63	0.74	0.84	0.84	0.95
		PI	0.98	0.98	0.98	0.98	0.99	1.04	1.04	1.04	1.04	1.04	1.10	1.10	1.11	1.11	1.11	1.17	1.17	1.17	1.17	1.17
	86°F (30°C)	TC	16880	16903	16921	16922	16945	17898	17919	17936	17940	17961	18967	18991	19013	19016	19037	20110	20131	20153	20156	20182
		S/T	0.53	0.63	0.71	0.71	0.81	0.57	0.66	0.75	0.75	0.86	0.60	0.70	0.80	0.80	0.91	0.64	0.75	0.85	0.85	0.97
		PI	1.19	1.20	1.20	1.20	1.20	1.27	1.27	1.27	1.27	1.27	1.34	1.34	1.34	1.34	1.35	1.42	1.42	1.43	1.43	1.43
	95°F (35°C)	TC	18185	18210	18229	18230	18255	19281	19304	19323	19327	19350	20433	20459	20482	20486	20509	21664	21688	21711	21715	21742
		S/T	0.53	0.63	0.71	0.71	0.81	0.57	0.66	0.75	0.75	0.86	0.60	0.70	0.80	0.80	0.91	0.64	0.75	0.85	0.85	0.97
		PI	1.67	1.67	1.67	1.68	1.68	1.77	1.77	1.78	1.78	1.78	1.88	1.88	1.88	1.88	1.88	1.99	1.99	1.99	2.00	2.00
	104°F (40°C)	TC	15595	15616	15633	15633	15655	16535	16554	16571	16574	16594	17523	17545	17565	17568	17588	18578	18599	18619	18622	18645
		S/T	0.55	0.64	0.73	0.73	0.83	0.58	0.68	0.77	0.77	0.88	0.62	0.72	0.82	0.82	0.93	0.65	0.76	0.87	0.87	0.99
		PI	1.52	1.52	1.53	1.53	1.53	1.61	1.62	1.62	1.62	1.62	1.71	1.71	1.71	1.71	1.72	1.81	1.82	1.82	1.82	1.82
110°F (43°C)	TC	14041	14060	14075	14076	14095	14887	14905	14919	14922	14940	15777	15797	15815	15818	15835	16727	16745	16763	16766	16787	
	S/T	0.57	0.67	0.76	0.76	0.86	0.60	0.71	0.80	0.80	0.91	0.64	0.75	0.85	0.85	0.97	0.68	0.79	0.90	0.90	1.00	
	PI	1.43	1.43	1.44	1.44	1.44	1.52	1.52	1.52	1.52	1.52	1.61	1.61	1.61	1.61	1.62	1.71	1.71	1.71	1.71	1.71	
115°F (46°C)	TC	11655	11670	11683	11683	11699	12357	12372	12384	12386	12401	13095	13112	13127	13129	13144	13884	13899	13915	13917	13934	
	S/T	0.57	0.67	0.77	0.77	0.87	0.61	0.71	0.81	0.81	0.92	0.65	0.76	0.86	0.86	0.98	0.68	0.80	0.91	0.91	1.00	
	PI	1.29	1.29	1.29	1.30	1.30	1.37	1.37	1.37	1.37	1.37	1.45	1.45	1.46	1.46	1.46	1.54	1.54	1.54	1.54	1.54	
122°F (50°C)	TC	8473	8484	8494	8494	8505	8984	8994	9003	9005	9016	9520	9533	9543	9545	9556	10094	10105	10116	10118	10130	
	S/T	0.59	0.69	0.78	0.78	0.89	0.62	0.73	0.83	0.83	0.95	0.66	0.77	0.88	0.88	1.00	0.70	0.82	0.93	0.93	1.00	
	PI	1.10	1.11	1.11	1.11	1.11	1.17	1.17	1.17	1.17	1.17	1.24	1.24	1.24	1.24	1.24	1.31	1.32	1.32	1.32	1.32	

TC:Total Cooling Capacity (BTU/hr)

S/T:Sensible Cooling Capacity Ratio

PI:Power Input(kW)

18MPHP-HE-SYS Expanded Heating @ 489 CFM

CFM	HEATING PERFORMANCE AT INDOOR DRY BULB TEMPERATURE										
	ODDB	TC: Total Heating Capacity (BTU/hr)					PI: Power Input (kW)				
		Indoor Conditions (DB °F)					Indoor Conditions (DB °F)				
		60.8°F	68°F	70°F	71.6°F	75.2°F	60.8°F	68°F	70°F	71.6°F	75.2°F
489	-13°F	6621	6489	6456	6459	6401	1.39	1.40	1.40	1.40	1.41
	-10°F	7103	6960	6926	6929	6866	1.41	1.42	1.42	1.43	1.43
	-4°F	8065	7904	7864	7868	7797	1.45	1.47	1.47	1.47	1.48
	0°F	8832	8656	8612	8616	8538	1.49	1.50	1.51	1.51	1.52
	5°F	9791	9595	9547	9551	9465	1.54	1.55	1.56	1.56	1.57
	14°F	10923	10705	10651	10656	10560	1.58	1.59	1.60	1.60	1.61
	17°F	11301	11075	11019	11024	10925	1.59	1.61	1.61	1.61	1.62
	22°F	12138	11896	11836	11841	11735	1.60	1.61	1.62	1.62	1.63
	27°F	12976	12717	12653	12659	12545	1.61	1.62	1.62	1.63	1.63
	32°F	13814	13538	13470	13476	13355	1.62	1.63	1.63	1.64	1.64
	37°F	14317	14030	13960	13966	13841	1.62	1.63	1.64	1.64	1.65
	42°F	16043	15722	15644	15651	15510	1.57	1.58	1.58	1.59	1.59
	44.6°F	16537	16206	16125	16132	15987	1.55	1.57	1.57	1.57	1.58
	47°F	17277	16931	16846	16854	16702	1.51	1.52	1.53	1.53	1.54
	52°F	16413	16085	16004	16011	15867	1.48	1.49	1.50	1.50	1.51
	57°F	15592	15280	15204	15211	15074	1.45	1.46	1.47	1.47	1.48
	59°F	14813	14516	14444	14450	14320	1.42	1.43	1.44	1.44	1.45
62°F	14072	13790	13722	13728	13604	1.39	1.41	1.41	1.41	1.42	
64.4°F	13368	13101	13035	13041	12924	1.37	1.38	1.38	1.38	1.39	

18MPHP-HE-SYS Expanded Heating @ 530 CFM

CFM	HEATING PERFORMANCE AT INDOOR DRY BULB TEMPERATURE										
	ODDB	TC: Total Heating Capacity (BTU/hr)					PI: Power Input (kW)				
		Indoor Conditions (DB °F)					Indoor Conditions (DB °F)				
		60.8°F	68°F	70°F	71.6°F	75.2°F	60.8°F	68°F	70°F	71.6°F	75.2°F
530	-13°F	6998	6858	6824	6797	6736	1.40	1.41	1.42	1.42	1.42
	-10°F	7507	7357	7320	7291	7225	1.42	1.44	1.44	1.44	1.45
	-4°F	8525	8354	8312	8279	8205	1.47	1.48	1.48	1.49	1.49
	0°F	9335	9149	9103	9066	8985	1.51	1.52	1.52	1.53	1.53
	5°F	10349	10142	10091	10051	9960	1.56	1.57	1.57	1.58	1.58
	14°F	11545	11315	11258	11213	11112	1.60	1.61	1.61	1.61	1.62
	17°F	11944	11705	11647	11600	11496	1.61	1.62	1.62	1.63	1.63
	22°F	12830	12573	12510	12460	12348	1.62	1.63	1.63	1.64	1.64
	27°F	13716	13441	13374	13321	13201	1.62	1.64	1.64	1.64	1.65
	32°F	14601	14309	14238	14181	14053	1.63	1.65	1.65	1.65	1.66
	37°F	15132	14830	14756	14697	14564	1.64	1.65	1.65	1.66	1.66
	42°F	16957	16618	16535	16469	16321	1.58	1.60	1.60	1.60	1.61
	44.6°F	17479	17129	17044	16975	16823	1.57	1.58	1.58	1.59	1.59
	47°F	18261	17896	17806	17735	17575	1.53	1.54	1.54	1.55	1.55
	52°F	17348	17001	16916	16848	16697	1.50	1.51	1.51	1.51	1.52
	57°F	16480	16151	16070	16006	15862	1.47	1.48	1.48	1.48	1.49
	59°F	15656	15343	15267	15206	15069	1.44	1.45	1.45	1.45	1.46
62°F	14874	14576	14503	14445	14315	1.41	1.42	1.42	1.43	1.43	
64.4°F	14130	13847	13778	13723	13599	1.38	1.39	1.39	1.40	1.40	

18MPHP-HE-SYS Expanded Heating @ 577 CFM

CFM	HEATING PERFORMANCE AT INDOOR DRY BULB TEMPERATURE										
	ODDB	TC: Total Heating Capacity (BTU/hr)					PI: Power Input (kW)				
		Indoor Conditions (DB °F)					Indoor Conditions (DB °F)				
		60.8°F	68°F	70°F	71.6°F	75.2°F	60.8°F	68°F	70°F	71.6°F	75.2°F
577	-13°F	7397	7249	7213	7184	7119	1.42	1.43	1.43	1.43	1.44
	-10°F	7935	7776	7737	7706	7637	1.44	1.45	1.45	1.46	1.46
	-4°F	9010	8830	8786	8751	8672	1.48	1.50	1.50	1.50	1.51
	0°F	9867	9670	9621	9583	9497	1.52	1.54	1.54	1.54	1.55
	5°F	10938	10720	10666	10623	10528	1.57	1.59	1.59	1.59	1.60
	14°F	12203	11959	11899	11852	11745	1.61	1.62	1.63	1.63	1.64
	17°F	12625	12372	12310	12261	12151	1.62	1.64	1.64	1.64	1.65
	22°F	13561	13290	13223	13170	13052	1.63	1.65	1.65	1.65	1.66
	27°F	14497	14207	14136	14079	13953	1.64	1.65	1.66	1.66	1.67
	32°F	15433	15124	15049	14988	14854	1.65	1.66	1.67	1.67	1.68
	37°F	15995	15675	15596	15534	15394	1.65	1.67	1.67	1.67	1.68
	42°F	17923	17565	17477	17407	17251	1.60	1.61	1.62	1.62	1.63
	44.6°F	18475	18105	18015	17942	17781	1.58	1.60	1.60	1.60	1.61
	47°F	19301	18915	18821	18745	18577	1.54	1.55	1.56	1.56	1.57
	52°F	18336	17969	17880	17808	17648	1.51	1.52	1.53	1.53	1.54
	57°F	17419	17071	16986	16918	16765	1.48	1.49	1.50	1.50	1.51
	59°F	16548	16217	16136	16072	15927	1.45	1.46	1.47	1.47	1.48
62°F	15721	15407	15329	15268	15131	1.42	1.43	1.44	1.44	1.45	
64.4°F	14935	14636	14563	14505	14374	1.39	1.41	1.41	1.41	1.42	

18MPHP-HE-SYS Expanded Heating @ 618 CFM

CFM	HEATING PERFORMANCE AT INDOOR DRY BULB TEMPERATURE										
	ODDB	TC: Total Heating Capacity (BTU/hr)					PI: Power Input (kW)				
		Indoor Conditions (DB °F)					Indoor Conditions (DB °F)				
		60.8°F	68°F	70°F	71.6°F	75.2°F	60.8°F	68°F	70°F	71.6°F	75.2°F
618	-13°F	7692	7538	7500	7470	7403	1.43	1.44	1.44	1.45	1.45
	-10°F	8251	8086	8046	8014	7941	1.45	1.46	1.47	1.47	1.48
	-4°F	9369	9182	9136	9100	9018	1.50	1.51	1.51	1.52	1.52
	0°F	10260	10055	10005	9965	9875	1.54	1.55	1.55	1.56	1.56
	5°F	11374	11147	11091	11047	10947	1.59	1.60	1.61	1.61	1.61
	14°F	12690	12436	12374	12324	12213	1.63	1.64	1.64	1.65	1.65
	17°F	13128	12866	12801	12750	12635	1.64	1.65	1.66	1.66	1.67
	22°F	14101	13819	13750	13695	13572	1.65	1.66	1.67	1.67	1.68
	27°F	15075	14773	14699	14641	14509	1.66	1.67	1.67	1.68	1.68
	32°F	16048	15727	15648	15586	15446	1.67	1.68	1.68	1.69	1.69
	37°F	16632	16299	16218	16153	16008	1.67	1.68	1.69	1.69	1.70
	42°F	18638	18265	18174	18101	17938	1.62	1.63	1.63	1.64	1.64
	44.6°F	19211	18827	18733	18658	18490	1.60	1.61	1.62	1.62	1.63
	47°F	20071	19669	19571	19493	19317	1.56	1.57	1.57	1.58	1.58
	52°F	19067	18686	18592	18518	18351	1.53	1.54	1.54	1.55	1.55
	57°F	18114	17751	17663	17592	17434	1.50	1.51	1.51	1.51	1.52
	59°F	17208	16864	16780	16712	16562	1.47	1.48	1.48	1.48	1.49
62°F	16348	16021	15941	15877	15734	1.44	1.45	1.45	1.45	1.46	
64.4°F	15530	15220	15144	15083	14947	1.41	1.42	1.42	1.43	1.43	

24MPHP-HE-SYS Expanded Cooling @ 638 CFM

CFM	ODDB	ID WB(°F)	60.8°F					67.0°F					71.6°F				
		ID DB(°F)	73.4°F	77.0°F	80.0°F	80.6°F	84.2°F	73.4°F	77.0°F	80.0°F	80.6°F	84.2°F	73.4°F	77.0°F	80.0°F	80.6°F	84.2°F
638	50°F	TC	24117	24150	24176	24177	24209	27098	27134	27164	27169	27199	28731	28762	28794	28798	28834
		S/T	0.43	0.50	0.57	0.57	0.65	0.48	0.57	0.64	0.64	0.73	0.51	0.60	0.68	0.68	0.78
		PI	1.20	1.20	1.20	1.20	1.21	1.35	1.35	1.35	1.35	1.35	1.43	1.43	1.43	1.43	1.44
	59°F	TC	23551	23582	23608	23609	23641	26462	26496	26526	26531	26560	28056	28087	28117	28121	28157
		S/T	0.43	0.51	0.58	0.58	0.66	0.48	0.57	0.65	0.65	0.74	0.51	0.60	0.69	0.69	0.78
		PI	1.26	1.26	1.26	1.26	1.27	1.42	1.42	1.42	1.42	1.42	1.50	1.50	1.51	1.51	1.51
	68°F	TC	22984	23015	23040	23041	23072	25825	25859	25887	25892	25921	27381	27411	27441	27445	27479
		S/T	0.43	0.51	0.58	0.58	0.66	0.49	0.57	0.65	0.65	0.74	0.52	0.61	0.69	0.69	0.79
		PI	1.32	1.32	1.33	1.33	1.33	1.49	1.49	1.49	1.49	1.49	1.58	1.58	1.58	1.58	1.58
	77°F	TC	22417	22447	22472	22473	22503	25188	25221	25249	25254	25282	26706	26735	26764	26768	26802
		S/T	0.45	0.52	0.59	0.59	0.68	0.50	0.59	0.67	0.67	0.76	0.53	0.62	0.71	0.71	0.81
		PI	1.38	1.39	1.39	1.39	1.39	1.55	1.56	1.56	1.56	1.56	1.65	1.65	1.65	1.65	1.65
	80°F	TC	22225	22255	22279	22280	22310	24972	25004	25032	25037	25065	26476	26505	26534	26538	26571
		S/T	0.45	0.53	0.60	0.60	0.69	0.51	0.59	0.68	0.68	0.77	0.54	0.63	0.72	0.72	0.82
		PI	1.40	1.41	1.41	1.41	1.41	1.58	1.58	1.58	1.58	1.58	1.67	1.67	1.68	1.68	1.68
	86°F	TC	21618	21647	21671	21672	21701	24290	24322	24349	24354	24381	25754	25782	25810	25814	25846
		S/T	0.46	0.54	0.61	0.61	0.69	0.51	0.60	0.68	0.68	0.78	0.54	0.64	0.73	0.73	0.83
		PI	1.71	1.72	1.72	1.72	1.72	1.93	1.93	1.93	1.93	1.93	2.04	2.04	2.05	2.05	2.05
	95°F	TC	20699	20727	20750	20751	20779	23258	23288	23314	23319	23345	24659	24686	24713	24717	24748
		S/T	0.46	0.54	0.62	0.62	0.70	0.52	0.61	0.69	0.69	0.79	0.55	0.65	0.73	0.73	0.84
		PI	2.18	2.18	2.19	2.19	2.19	2.45	2.45	2.46	2.46	2.46	2.60	2.60	2.60	2.61	2.61
	104°F	TC	18727	18752	18773	18773	18799	21042	21069	21093	21097	21120	22310	22334	22358	22362	22390
		S/T	0.49	0.57	0.65	0.65	0.74	0.55	0.64	0.73	0.73	0.83	0.58	0.68	0.77	0.77	0.88
		PI	2.20	2.20	2.20	2.20	2.21	2.47	2.47	2.48	2.48	2.48	2.62	2.62	2.62	2.62	2.63
	110°F	TC	17544	17567	17586	17587	17611	19712	19738	19760	19764	19786	20900	20923	20946	20949	20975
		S/T	0.49	0.58	0.66	0.66	0.75	0.55	0.65	0.74	0.74	0.84	0.59	0.69	0.78	0.78	0.89
		PI	2.21	2.21	2.21	2.21	2.22	2.48	2.48	2.49	2.49	2.49	2.63	2.63	2.64	2.64	2.64
	115°F	TC	14740	14759	14775	14776	14796	16561	16583	16601	16605	16623	17559	17578	17598	17600	17622
		S/T	0.49	0.58	0.66	0.66	0.75	0.55	0.65	0.74	0.74	0.84	0.59	0.69	0.78	0.78	0.89
		PI	1.80	1.80	1.81	1.81	1.81	2.02	2.03	2.03	2.03	2.03	2.15	2.15	2.15	2.15	2.15
122°F	TC	12479	12495	12509	12509	12526	14021	14039	14055	14058	14073	14866	14882	14898	14901	14919	
	S/T	0.51	0.60	0.68	0.68	0.77	0.57	0.67	0.76	0.76	0.87	0.61	0.71	0.81	0.81	0.92	
	PI	1.73	1.73	1.73	1.73	1.73	1.94	1.94	1.94	1.95	1.95	2.06	2.06	2.06	2.06	2.06	

TC:Total Cooling Capacity (BTU/hr)

S/T:Sensible Cooling Capacity Ratio

PI:Power Input(kW)

24MPHP-HE-SYS Expanded Cooling @ 709 CFM

CFM	ODDB	ID WB(°F)	60.8°F					67.0°F					71.6°F				
		ID DB(°F)	73.4°F	77.0°F	80.0°F	80.6°F	84.2°F	73.4°F	77.0°F	80.0°F	80.6°F	84.2°F	73.4°F	77.0°F	80.0°F	80.6°F	84.2°F
709	50°F	TC	26526	26562	26590	26591	26627	29805	29844	29877	29882	29916	31601	31635	31669	31674	31714
		S/T	0.46	0.54	0.62	0.62	0.70	0.52	0.61	0.69	0.69	0.79	0.55	0.64	0.73	0.73	0.84
		PI	1.28	1.29	1.29	1.29	1.29	1.44	1.44	1.45	1.45	1.45	1.53	1.53	1.53	1.53	1.53
	59°F	TC	25903	25938	25966	25967	26002	29105	29142	29175	29180	29213	30858	30892	30925	30930	30969
		S/T	0.46	0.54	0.62	0.62	0.70	0.52	0.61	0.69	0.69	0.79	0.55	0.65	0.74	0.74	0.84
		PI	1.35	1.35	1.35	1.35	1.35	1.52	1.52	1.52	1.52	1.52	1.61	1.61	1.61	1.61	1.61
	68°F	TC	25280	25314	25341	25342	25376	28404	28441	28473	28478	28510	30116	30148	30181	30186	30224
		S/T	0.47	0.55	0.62	0.62	0.71	0.52	0.61	0.70	0.70	0.80	0.55	0.65	0.74	0.74	0.84
		PI	1.41	1.42	1.42	1.42	1.42	1.59	1.59	1.59	1.59	1.59	1.68	1.69	1.69	1.69	1.69
	77°F	TC	24656	24689	24716	24717	24750	27704	27740	27771	27776	27807	29373	29405	29437	29442	29478
		S/T	0.48	0.56	0.64	0.64	0.73	0.54	0.63	0.72	0.72	0.82	0.57	0.67	0.76	0.76	0.87
		PI	1.48	1.48	1.48	1.48	1.48	1.66	1.66	1.67	1.67	1.67	1.76	1.76	1.77	1.77	1.77
	80°F	TC	24444	24477	24504	24505	24538	27466	27502	27532	27537	27568	29121	29152	29184	29189	29225
		S/T	0.48	0.57	0.65	0.65	0.74	0.54	0.64	0.73	0.73	0.83	0.58	0.68	0.77	0.77	0.88
		PI	1.50	1.50	1.51	1.51	1.51	1.69	1.69	1.69	1.69	1.69	1.79	1.79	1.79	1.79	1.80
	86°F	TC	23777	23809	23835	23836	23868	26717	26751	26781	26786	26816	28326	28357	28388	28392	28428
		S/T	0.49	0.58	0.65	0.65	0.75	0.55	0.65	0.74	0.74	0.84	0.58	0.69	0.78	0.78	0.89
		PI	1.83	1.83	1.84	1.84	1.84	2.06	2.06	2.06	2.06	2.07	2.18	2.18	2.19	2.19	2.19
	95°F	TC	22767	22797	22822	22823	22854	25581	25614	25643	25648	25676	27122	27152	27181	27186	27219
		S/T	0.50	0.58	0.66	0.66	0.76	0.56	0.66	0.74	0.74	0.85	0.59	0.69	0.79	0.79	0.90
		PI	2.33	2.34	2.34	2.34	2.34	2.62	2.62	2.63	2.63	2.63	2.78	2.78	2.79	2.79	2.79
	104°F	TC	20598	20625	20648	20648	20676	23144	23174	23200	23204	23230	24538	24565	24592	24595	24626
		S/T	0.52	0.61	0.70	0.70	0.79	0.59	0.69	0.78	0.78	0.89	0.62	0.73	0.83	0.83	0.94
		PI	2.35	2.35	2.36	2.36	2.36	2.64	2.64	2.65	2.65	2.65	2.80	2.80	2.81	2.81	2.81
	110°F	TC	19296	19322	19343	19344	19370	21681	21709	21734	21738	21762	22988	23013	23038	23041	23070
		S/T	0.53	0.62	0.70	0.70	0.80	0.59	0.70	0.79	0.79	0.90	0.63	0.74	0.84	0.84	0.96
		PI	2.36	2.36	2.37	2.37	2.37	2.65	2.66	2.66	2.66	2.66	2.81	2.81	2.82	2.82	2.82
	115°F	TC	16212	16233	16251	16252	16274	18216	18239	18260	18263	18283	19313	19334	19355	19358	19382
		S/T	0.53	0.62	0.70	0.70	0.80	0.59	0.70	0.79	0.79	0.90	0.63	0.74	0.84	0.84	0.96
		PI	1.93	1.93	1.93	1.93	1.93	2.16	2.17	2.17	2.17	2.17	2.29	2.30	2.30	2.30	2.30
122°F	TC	13725	13743	13758	13759	13777	15421	15442	15459	15462	15479	16351	16368	16386	16389	16409	
	S/T	0.55	0.64	0.73	0.73	0.83	0.61	0.72	0.82	0.82	0.93	0.65	0.76	0.87	0.87	0.99	
	PI	1.85	1.85	1.85	1.85	1.85	2.07	2.08	2.08	2.08	2.08	2.20	2.20	2.20	2.20	2.21	

TC:Total Cooling Capacity (BTU/hr)

S/T:Sensible Cooling Capacity Ratio

PI:Power Input(kW)

24MPHP-HE-SYS Expanded Cooling @ 769 CFM

CFM	ODDB	ID WB(°F)	60.8°F					67.0°F					71.6°F				
		ID DB(°F)	73.4°F	77.0°F	80.0°F	80.6°F	84.2°F	73.4°F	77.0°F	80.0°F	80.6°F	84.2°F	73.4°F	77.0°F	80.0°F	80.6°F	84.2°F
769	50°F	TC	28501	28539	28570	28571	28610	32024	32065	32101	32107	32143	33953	33990	34027	34033	34075
		S/T	0.50	0.58	0.66	0.66	0.75	0.56	0.65	0.74	0.74	0.85	0.59	0.69	0.79	0.79	0.90
		PI	1.38	1.38	1.38	1.38	1.38	1.55	1.55	1.55	1.55	1.56	1.64	1.64	1.65	1.65	1.65
	59°F	TC	27831	27869	27899	27900	27938	31271	31312	31347	31353	31388	33156	33192	33228	33233	33274
		S/T	0.50	0.58	0.66	0.66	0.76	0.56	0.66	0.75	0.75	0.85	0.59	0.70	0.79	0.79	0.90
		PI	1.45	1.45	1.45	1.45	1.45	1.63	1.63	1.63	1.63	1.63	1.73	1.73	1.73	1.73	1.73
	68°F	TC	27162	27198	27227	27229	27265	30519	30559	30593	30598	30633	32358	32393	32428	32433	32474
		S/T	0.50	0.59	0.67	0.67	0.76	0.56	0.66	0.75	0.75	0.86	0.60	0.70	0.80	0.80	0.91
		PI	1.52	1.52	1.52	1.52	1.53	1.71	1.71	1.71	1.71	1.71	1.81	1.81	1.81	1.81	1.82
	77°F	TC	26492	26528	26556	26557	26593	29767	29805	29838	29844	29877	31560	31594	31629	31634	31673
		S/T	0.51	0.60	0.69	0.69	0.78	0.58	0.68	0.77	0.77	0.88	0.61	0.72	0.82	0.82	0.93
		PI	1.59	1.59	1.59	1.59	1.60	1.79	1.79	1.79	1.79	1.79	1.89	1.90	1.90	1.90	1.90
	80°F	TC	26264	26300	26328	26329	26365	29511	29549	29582	29588	29621	31289	31323	31357	31362	31401
		S/T	0.52	0.61	0.69	0.69	0.79	0.59	0.69	0.78	0.78	0.89	0.62	0.73	0.83	0.83	0.94
		PI	1.61	1.62	1.62	1.62	1.62	1.81	1.81	1.82	1.82	1.82	1.92	1.92	1.93	1.93	1.93
	86°F	TC	25548	25582	25610	25611	25645	28706	28743	28775	28780	28812	30435	30468	30501	30506	30544
		S/T	0.53	0.62	0.70	0.70	0.80	0.59	0.70	0.79	0.79	0.90	0.63	0.74	0.84	0.84	0.95
		PI	1.97	1.97	1.97	1.97	1.98	2.21	2.21	2.22	2.22	2.22	2.34	2.35	2.35	2.35	2.35
	95°F	TC	24462	24495	24521	24522	24555	27486	27521	27552	27557	27588	29142	29173	29205	29210	29246
		S/T	0.53	0.63	0.71	0.71	0.81	0.60	0.70	0.80	0.80	0.91	0.64	0.75	0.85	0.85	0.97
		PI	2.51	2.51	2.51	2.51	2.52	2.82	2.82	2.82	2.82	2.83	2.99	2.99	2.99	2.99	3.00
	104°F	TC	22131	22161	22185	22186	22216	24867	24899	24927	24931	24959	26365	26394	26422	26427	26459
		S/T	0.56	0.66	0.75	0.75	0.85	0.63	0.74	0.84	0.84	0.96	0.67	0.78	0.89	0.89	1.00
		PI	2.52	2.53	2.53	2.53	2.53	2.84	2.84	2.84	2.84	2.85	3.01	3.01	3.01	3.01	3.02
	110°F	TC	20733	20761	20783	20784	20812	23295	23326	23352	23356	23382	24699	24726	24753	24757	24788
		S/T	0.57	0.67	0.76	0.76	0.86	0.64	0.75	0.85	0.85	0.97	0.68	0.79	0.90	0.90	1.00
		PI	2.54	2.54	2.54	2.54	2.55	2.85	2.85	2.86	2.86	2.86	3.02	3.02	3.03	3.03	3.03
	115°F	TC	17419	17442	17461	17462	17485	19572	19597	19619	19623	19645	20751	20774	20796	20799	20825
		S/T	0.57	0.67	0.76	0.76	0.86	0.64	0.75	0.85	0.85	0.97	0.68	0.79	0.90	0.90	1.00
		PI	2.07	2.07	2.07	2.07	2.08	2.32	2.33	2.33	2.33	2.33	2.46	2.47	2.47	2.47	2.47
122°F	TC	14747	14767	14782	14783	14803	16570	16591	16610	16613	16631	17568	17587	17606	17609	17631	
	S/T	0.59	0.69	0.78	0.78	0.89	0.66	0.77	0.88	0.88	1.00	0.70	0.82	0.93	0.93	1.00	
	PI	1.98	1.99	1.99	1.99	1.99	2.23	2.23	2.23	2.23	2.24	2.36	2.37	2.37	2.37	2.37	

TC:Total Cooling Capacity (BTU/hr)

S/T:Sensible Cooling Capacity Ratio

PI:Power Input(kW)

24MPHP-HE-SYS Expanded Cooling @ 824 CFM

CFM	ODDB	ID WB(°F)	60.8°F					67.0°F					71.6°F				
		ID DB(°F)	73.4°F	77.0°F	80.0°F	80.6°F	84.2°F	73.4°F	77.0°F	80.0°F	80.6°F	84.2°F	73.4°F	77.0°F	80.0°F	80.6°F	84.2°F
824	50°F	TC	30229	30270	30302	30304	30344	33965	34010	34047	34054	34092	36012	36051	36090	36096	36141
		S/T	0.53	0.62	0.70	0.70	0.80	0.59	0.69	0.79	0.79	0.90	0.63	0.73	0.83	0.83	0.95
		PI	1.46	1.46	1.47	1.47	1.47	1.64	1.65	1.65	1.65	1.65	1.74	1.74	1.75	1.75	1.75
	59°F	TC	29519	29558	29590	29592	29631	33167	33211	33248	33254	33291	35166	35204	35242	35248	35292
		S/T	0.53	0.62	0.70	0.70	0.80	0.59	0.70	0.79	0.79	0.90	0.63	0.74	0.84	0.84	0.96
		PI	1.54	1.54	1.54	1.54	1.54	1.73	1.73	1.73	1.73	1.73	1.83	1.83	1.84	1.84	1.84
	68°F	TC	28808	28847	28878	28880	28918	32369	32411	32448	32454	32490	34320	34357	34394	34400	34443
		S/T	0.53	0.62	0.71	0.71	0.81	0.60	0.70	0.80	0.80	0.91	0.63	0.74	0.84	0.84	0.96
		PI	1.61	1.61	1.62	1.62	1.62	1.81	1.81	1.81	1.82	1.82	1.92	1.92	1.92	1.92	1.93
	77°F	TC	28098	28136	28166	28168	28206	31571	31612	31648	31653	31689	33474	33510	33546	33552	33593
		S/T	0.55	0.64	0.73	0.73	0.83	0.61	0.72	0.82	0.82	0.93	0.65	0.76	0.87	0.87	0.99
		PI	1.69	1.69	1.69	1.69	1.69	1.89	1.90	1.90	1.90	1.90	2.01	2.01	2.01	2.01	2.02
	80°F	TC	27857	27894	27924	27925	27963	31300	31341	31376	31381	31416	33186	33222	33258	33263	33305
		S/T	0.55	0.65	0.74	0.74	0.84	0.62	0.73	0.83	0.83	0.94	0.66	0.77	0.88	0.88	1.00
		PI	1.71	1.71	1.72	1.72	1.72	1.92	1.93	1.93	1.93	1.93	2.04	2.04	2.04	2.04	2.05
	86°F	TC	27097	27133	27162	27163	27200	30446	30486	30520	30525	30559	32280	32316	32351	32356	32396
		S/T	0.56	0.66	0.75	0.75	0.85	0.63	0.74	0.84	0.84	0.96	0.67	0.78	0.89	0.89	1.00
		PI	2.09	2.09	2.09	2.09	2.10	2.35	2.35	2.35	2.35	2.35	2.49	2.49	2.49	2.49	2.50
	95°F	TC	25945	25980	26008	26009	26044	29152	29190	29222	29228	29260	30908	30942	30976	30981	31019
		S/T	0.57	0.66	0.76	0.76	0.86	0.64	0.75	0.85	0.85	0.97	0.67	0.79	0.90	0.90	1.00
		PI	2.66	2.66	2.66	2.66	2.67	2.99	2.99	2.99	2.99	3.00	3.17	3.17	3.17	3.17	3.18
	104°F	TC	23473	23505	23530	23531	23563	26374	26409	26438	26443	26473	27964	27994	28024	28029	28064
		S/T	0.59	0.70	0.79	0.79	0.90	0.67	0.78	0.89	0.89	1.00	0.71	0.83	0.94	0.94	1.00
		PI	2.68	2.68	2.68	2.68	2.69	3.01	3.01	3.02	3.02	3.02	3.19	3.19	3.20	3.20	3.20
	110°F	TC	21990	22019	22043	22044	22074	24708	24740	24768	24772	24800	26197	26225	26254	26258	26290
		S/T	0.60	0.71	0.80	0.80	0.91	0.68	0.79	0.90	0.90	1.00	0.72	0.84	0.96	0.96	1.00
		PI	2.69	2.69	2.70	2.70	2.70	3.02	3.03	3.03	3.03	3.03	3.20	3.21	3.21	3.21	3.22
	115°F	TC	18475	18500	18520	18520	18545	20758	20785	20809	20812	20836	22009	22033	22057	22060	22088
		S/T	0.60	0.71	0.80	0.80	0.91	0.68	0.79	0.90	0.90	1.00	0.72	0.84	0.96	0.96	1.00
		PI	2.19	2.20	2.20	2.20	2.20	2.47	2.47	2.47	2.47	2.47	2.61	2.62	2.62	2.62	2.62
122°F	TC	15641	15662	15679	15679	15701	17574	17597	17617	17620	17640	18633	18653	18674	18677	18700	
	S/T	0.62	0.73	0.83	0.83	0.95	0.70	0.82	0.93	0.93	1.00	0.74	0.87	0.99	0.99	1.00	
	PI	2.10	2.11	2.11	2.11	2.11	2.36	2.37	2.37	2.37	2.37	2.51	2.51	2.51	2.51	2.52	

TC:Total Cooling Capacity (BTU/hr)

S/T:Sensible Cooling Capacity Ratio

PI:Power Input(kW)

24MPHP-HE-SYS Expanded Heating @ 638 CFM

CFM	HEATING PERFORMANCE AT INDOOR DRY BULB TEMPERATURE										
	OD DB (°F)	TC: Total Heating Capacity (BTU/hr)					PI: Power Input (kW)				
		Indoor Conditions (DB °F)					Indoor Conditions (DB °F)				
		60.8°F	68°F	70°F	71.6°F	75.2°F	60.8°F	68°F	70°F	71.6°F	75.2°F
638	-13°F	13400	13132	13066	12713	12599	2.19	2.21	2.21	2.22	2.23
	-10°F	13585	13313	13247	12889	12773	2.23	2.25	2.25	2.26	2.27
	-4°F	13955	13676	13607	13240	13121	2.32	2.33	2.34	2.34	2.35
	0°F	15035	14734	14661	14265	14136	2.37	2.39	2.40	2.40	2.41
	5°F	16385	16058	15977	15546	15406	2.45	2.47	2.47	2.48	2.49
	14°F	19582	19190	19094	18578	18411	2.52	2.54	2.55	2.55	2.56
	17°F	20647	20234	20133	19589	19413	2.55	2.57	2.57	2.58	2.59
	22°F	21439	21010	20905	20340	20157	2.55	2.57	2.57	2.58	2.59
	27°F	22230	21786	21677	21091	20901	2.55	2.57	2.57	2.58	2.59
	32°F	23022	22561	22449	21842	21645	2.55	2.57	2.57	2.58	2.59
	37°F	23497	23027	22912	22293	22092	2.55	2.57	2.57	2.58	2.59
	42°F	27141	26598	26465	25750	25518	2.66	2.69	2.69	2.70	2.71
	44.6°F	28183	27619	27481	26738	26498	2.70	2.72	2.73	2.73	2.74
	47°F	29745	29150	29004	28220	27966	2.79	2.81	2.82	2.82	2.84
	52°F	28257	27692	27554	26809	26568	2.73	2.76	2.76	2.77	2.78
	57°F	26844	26308	26176	25469	25239	2.68	2.70	2.71	2.71	2.72
	59°F	25502	24992	24867	24195	23977	2.63	2.65	2.65	2.66	2.67
62°F	24227	23743	23624	22985	22779	2.57	2.59	2.60	2.61	2.62	
64.4°F	23016	22555	22443	21836	21640	2.52	2.54	2.55	2.55	2.56	

24MPHP-HE-SYS Expanded Heating @ 709 CFM

CFM	HEATING PERFORMANCE AT INDOOR DRY BULB TEMPERATURE										
	OD DB (°F)	TC: Total Heating Capacity (BTU/hr)					PI: Power Input (kW)				
		Indoor Conditions (DB °F)					Indoor Conditions (DB °F)				
		60.8°F	68°F	70°F	71.6°F	75.2°F	60.8°F	68°F	70°F	71.6°F	75.2°F
709	-13°F	14118	13836	13767	13712	13588	2.21	2.23	2.24	2.24	2.25
	-10°F	14313	14027	13957	13901	13776	2.25	2.27	2.28	2.28	2.29
	-4°F	14703	14409	14337	14279	14151	2.34	2.36	2.36	2.37	2.38
	0°F	15841	15524	15446	15385	15246	2.40	2.42	2.42	2.43	2.44
	5°F	17263	16918	16834	16766	16615	2.47	2.49	2.50	2.50	2.51
	14°F	20631	20218	20117	20037	19857	2.55	2.57	2.57	2.58	2.59
	17°F	21754	21319	21212	21127	20937	2.57	2.59	2.60	2.60	2.61
	22°F	22588	22136	22025	21937	21740	2.57	2.59	2.60	2.60	2.61
	27°F	23422	22953	22838	22747	22542	2.57	2.59	2.60	2.60	2.61
	32°F	24256	23770	23652	23557	23345	2.57	2.59	2.60	2.60	2.61
	37°F	24756	24261	24139	24043	23827	2.57	2.59	2.60	2.60	2.61
	42°F	28596	28024	27884	27772	27522	2.69	2.71	2.72	2.72	2.74
	44.6°F	29693	29099	28953	28838	28578	2.73	2.75	2.75	2.76	2.77
	47°F	31338	30712	30558	30436	30162	2.82	2.84	2.85	2.85	2.86
	52°F	29772	29176	29030	28914	28654	2.76	2.78	2.79	2.80	2.81
	57°F	28283	27717	27579	27468	27221	2.71	2.73	2.73	2.74	2.75
	59°F	26869	26331	26200	26095	25860	2.65	2.67	2.68	2.69	2.70
62°F	25525	25015	24890	24790	24567	2.60	2.62	2.63	2.63	2.64	
64.4°F	24249	23764	23645	23551	23339	2.55	2.57	2.57	2.58	2.59	

24MPHP-HE-SYS Expanded Heating @ 769 CFM

CFM	HEATING PERFORMANCE AT INDOOR DRY BULB TEMPERATURE										
	OD DB (°F)	TC: Total Heating Capacity (BTU/hr)					PI: Power Input (kW)				
		Indoor Conditions (DB °F)					Indoor Conditions (DB °F)				
		60.8°F	68°F	70°F	71.6°F	75.2°F	60.8°F	68°F	70°F	71.6°F	75.2°F
769	-13°F	14875	14577	14504	14446	14316	2.24	2.25	2.26	2.26	2.27
	-10°F	15080	14778	14705	14646	14514	2.28	2.30	2.30	2.31	2.31
	-4°F	15491	15181	15105	15045	14909	2.36	2.38	2.39	2.39	2.40
	0°F	16690	16356	16274	16209	16063	2.42	2.44	2.45	2.45	2.46
	5°F	18188	17825	17736	17665	17506	2.50	2.52	2.52	2.53	2.54
	14°F	21737	21302	21195	21111	20921	2.57	2.59	2.60	2.60	2.61
	17°F	22919	22461	22349	22259	22059	2.60	2.62	2.63	2.63	2.64
	22°F	23798	23322	23205	23113	22905	2.60	2.62	2.62	2.63	2.64
	27°F	24677	24183	24062	23966	23750	2.60	2.62	2.62	2.63	2.64
	32°F	25555	25044	24919	24819	24596	2.60	2.62	2.62	2.63	2.64
	37°F	26083	25561	25433	25331	25103	2.60	2.62	2.62	2.63	2.64
	42°F	30128	29526	29378	29260	28997	2.72	2.74	2.75	2.75	2.76
	44.6°F	31284	30658	30505	30383	30110	2.75	2.78	2.78	2.79	2.80
	47°F	33018	32357	32196	32067	31778	2.85	2.87	2.88	2.88	2.89
	52°F	31367	30740	30586	30464	30189	2.79	2.81	2.82	2.82	2.84
	57°F	29799	29203	29057	28940	28680	2.73	2.76	2.76	2.77	2.78
	59°F	28309	27742	27604	27493	27246	2.68	2.70	2.71	2.71	2.72
62°F	26893	26355	26224	26119	25884	2.63	2.65	2.65	2.66	2.67	
64.4°F	25549	25038	24912	24813	24589	2.57	2.59	2.60	2.60	2.62	

24MPHP-HE-SYS Expanded Heating @ 824 CFM

CFM	HEATING PERFORMANCE AT INDOOR DRY BULB TEMPERATURE										
	OD DB (°F)	TC: Total Heating Capacity (BTU/hr)					PI: Power Input (kW)				
		Indoor Conditions (DB °F)					Indoor Conditions (DB °F)				
		60.8°F	68°F	70°F	71.6°F	75.2°F	60.8°F	68°F	70°F	71.6°F	75.2°F
824	-13°F	15470	15161	15085	15025	14890	2.26	2.28	2.28	2.29	2.29
	-10°F	15684	15370	15293	15232	15095	2.30	2.32	2.32	2.33	2.34
	-4°F	16111	15789	15710	15647	15506	2.39	2.41	2.41	2.41	2.42
	0°F	17358	17011	16926	16858	16706	2.45	2.47	2.47	2.48	2.49
	5°F	18917	18538	18446	18372	18207	2.52	2.54	2.55	2.55	2.56
	14°F	22607	22155	22044	21956	21758	2.60	2.62	2.63	2.63	2.64
	17°F	23837	23360	23243	23150	22942	2.63	2.65	2.65	2.66	2.67
	22°F	24751	24256	24134	24038	23822	2.62	2.65	2.65	2.66	2.67
	27°F	25665	25151	25026	24925	24701	2.62	2.65	2.65	2.66	2.67
	32°F	26578	26047	25917	25813	25581	2.62	2.65	2.65	2.66	2.67
	37°F	27127	26584	26451	26345	26108	2.62	2.65	2.65	2.66	2.67
	42°F	31334	30708	30554	30432	30158	2.75	2.77	2.77	2.78	2.79
	44.6°F	32536	31886	31726	31599	31315	2.78	2.80	2.81	2.82	2.83
	47°F	34340	33653	33485	33351	33051	2.88	2.90	2.91	2.91	2.92
	52°F	32623	31970	31810	31683	31398	2.82	2.84	2.85	2.85	2.86
	57°F	30992	30372	30220	30099	29828	2.76	2.78	2.79	2.80	2.81
	59°F	29442	28853	28709	28594	28337	2.71	2.73	2.73	2.74	2.75
62°F	27970	27410	27273	27164	26920	2.65	2.67	2.68	2.68	2.70	
64.4°F	26571	26040	25910	25806	25574	2.60	2.62	2.63	2.63	2.64	

30MPHP-HE-SYS Expanded Cooling @ 712 CFM

CFM	ODDB	ID WB(°F)	60.8°F					67.0°F					71.6°F				
			ID DB(°F)	73.4°F	77.0°F	80.0°F	80.6°F	84.2°F	73.4°F	77.0°F	80.0°F	80.6°F	84.2°F	73.4°F	77.0°F	80.0°F	80.6°F
712	50°F	TC	25009	25043	25070	25071	25105	28101	28137	28168	28174	28205	29794	29826	29859	29863	29900
		S/T	0.41	0.48	0.54	0.54	0.62	0.46	0.54	0.61	0.61	0.69	0.48	0.57	0.64	0.64	0.73
		PI	1.56	1.57	1.57	1.57	1.57	1.76	1.76	1.76	1.76	1.76	1.86	1.87	1.87	1.87	1.87
	59°F	TC	25681	25716	25743	25744	25779	28856	28893	28925	28931	28963	30594	30627	30661	30665	30704
		S/T	0.41	0.48	0.54	0.54	0.62	0.46	0.54	0.61	0.61	0.70	0.49	0.57	0.65	0.65	0.74
		PI	1.55	1.55	1.55	1.55	1.55	1.74	1.74	1.74	1.74	1.75	1.84	1.85	1.85	1.85	1.85
	68°F	TC	26353	26388	26417	26418	26454	29611	29649	29682	29688	29721	31395	31429	31463	31468	31507
		S/T	0.41	0.48	0.55	0.55	0.62	0.46	0.54	0.61	0.61	0.70	0.49	0.57	0.65	0.65	0.74
		PI	1.53	1.53	1.53	1.53	1.54	1.72	1.72	1.72	1.72	1.73	1.82	1.83	1.83	1.83	1.83
	77°F	TC	27025	27061	27090	27092	27128	30365	30405	30439	30444	30478	32195	32230	32265	32270	32310
		S/T	0.42	0.49	0.56	0.56	0.64	0.47	0.56	0.63	0.63	0.72	0.50	0.59	0.67	0.67	0.76
		PI	1.51	1.52	1.52	1.52	1.52	1.70	1.70	1.70	1.71	1.71	1.80	1.81	1.81	1.81	1.81
	80°F	TC	27253	27290	27319	27321	27358	30622	30662	30696	30702	30736	32467	32503	32538	32543	32583
		S/T	0.43	0.50	0.57	0.57	0.65	0.48	0.56	0.64	0.64	0.73	0.51	0.60	0.68	0.68	0.77
		PI	1.51	1.51	1.51	1.51	1.51	1.69	1.70	1.70	1.70	1.70	1.80	1.80	1.80	1.80	1.80
	86°F	TC	26021	26056	26084	26085	26120	29237	29275	29308	29313	29346	30999	31033	31066	31071	31110
		S/T	0.43	0.51	0.58	0.58	0.66	0.49	0.57	0.65	0.65	0.74	0.51	0.60	0.69	0.69	0.78
		PI	1.85	1.85	1.85	1.85	1.85	2.07	2.08	2.08	2.08	2.08	2.20	2.20	2.20	2.20	2.21
	95°F	TC	24153	24186	24212	24213	24246	27139	27174	27205	27210	27240	28774	28805	28837	28841	28877
		S/T	0.44	0.51	0.58	0.58	0.66	0.49	0.58	0.66	0.66	0.75	0.52	0.61	0.69	0.69	0.79
		PI	2.36	2.36	2.36	2.37	2.37	2.65	2.65	2.66	2.66	2.66	2.81	2.81	2.82	2.82	2.82
	104°F	TC	22606	22637	22661	22662	22693	25401	25434	25462	25467	25495	26931	26960	26990	26994	27027
		S/T	0.46	0.54	0.61	0.61	0.70	0.52	0.61	0.69	0.69	0.78	0.55	0.64	0.73	0.73	0.83
		PI	2.49	2.49	2.49	2.49	2.50	2.80	2.80	2.80	2.80	2.81	2.96	2.97	2.97	2.97	2.97
	110°F	TC	21678	21707	21730	21731	21761	24357	24389	24416	24421	24448	25825	25853	25881	25885	25917
		S/T	0.46	0.55	0.62	0.62	0.71	0.52	0.61	0.70	0.70	0.79	0.55	0.65	0.74	0.74	0.84
		PI	2.57	2.57	2.57	2.57	2.58	2.88	2.89	2.89	2.89	2.89	3.06	3.06	3.06	3.06	3.07
	115°F	TC	18106	18130	18150	18151	18175	20344	20370	20393	20397	20420	21570	21593	21617	21620	21647
		S/T	0.46	0.55	0.62	0.62	0.71	0.52	0.61	0.70	0.70	0.79	0.55	0.65	0.74	0.74	0.84
		PI	2.23	2.23	2.23	2.23	2.24	2.50	2.51	2.51	2.51	2.51	2.66	2.66	2.66	2.66	2.67
122°F	TC	14659	14679	14695	14695	14715	16471	16493	16511	16514	16533	17464	17483	17502	17504	17526	
	S/T	0.48	0.56	0.64	0.64	0.73	0.54	0.63	0.72	0.72	0.82	0.57	0.67	0.76	0.76	0.87	
	PI	1.97	1.98	1.98	1.98	1.98	2.22	2.22	2.22	2.22	2.22	2.35	2.35	2.36	2.36	2.36	

TC:Total Cooling Capacity (BTU/hr)

S/T:Sensible Cooling Capacity Ratio

PI:Power Input(kW)

30MPHP-HE-SYS Expanded Cooling @ 802 CFM

CFM	ODDB	ID WB(°F)	60.8°F					67.0°F					71.6°F				
		ID DB(°F)	73.4°F	77.0°F	80.0°F	80.6°F	84.2°F	73.4°F	77.0°F	80.0°F	80.6°F	84.2°F	73.4°F	77.0°F	80.0°F	80.6°F	84.2°F
802	50°F	TC	27892	27929	27959	27960	27998	31339	31380	31415	31421	31456	33227	33264	33300	33305	33346
		S/T	0.45	0.53	0.60	0.60	0.68	0.50	0.59	0.67	0.67	0.77	0.53	0.63	0.71	0.71	0.81
		PI	1.72	1.72	1.72	1.72	1.73	1.93	1.94	1.94	1.94	1.94	2.05	2.05	2.05	2.05	2.06
	59°F	TC	28641	28679	28710	28712	28750	32181	32223	32259	32265	32301	34120	34157	34194	34200	34242
		S/T	0.45	0.53	0.60	0.60	0.69	0.51	0.59	0.68	0.68	0.77	0.54	0.63	0.72	0.72	0.82
		PI	1.70	1.70	1.71	1.71	1.71	1.91	1.91	1.92	1.92	1.92	2.03	2.03	2.03	2.03	2.03
	68°F	TC	29390	29430	29461	29463	29503	33023	33066	33103	33109	33146	35013	35051	35089	35095	35138
		S/T	0.45	0.53	0.60	0.60	0.69	0.51	0.60	0.68	0.68	0.77	0.54	0.63	0.72	0.72	0.82
		PI	1.68	1.69	1.69	1.69	1.69	1.89	1.89	1.90	1.90	1.90	2.00	2.01	2.01	2.01	2.01
	77°F	TC	30140	30180	30213	30214	30255	33865	33909	33947	33953	33991	35906	35945	35984	35989	36034
		S/T	0.47	0.55	0.62	0.62	0.71	0.52	0.61	0.70	0.70	0.79	0.55	0.65	0.74	0.74	0.84
		PI	1.66	1.67	1.67	1.67	1.67	1.87	1.87	1.87	1.87	1.88	1.98	1.98	1.99	1.99	1.99
	80°F	TC	30394	30435	30468	30469	30511	34151	34196	34234	34240	34278	36209	36249	36288	36294	36339
		S/T	0.47	0.55	0.63	0.63	0.72	0.53	0.62	0.71	0.71	0.80	0.56	0.66	0.75	0.75	0.85
		PI	1.66	1.66	1.66	1.66	1.66	1.86	1.87	1.87	1.87	1.87	1.97	1.98	1.98	1.98	1.98
	86°F	TC	29020	29059	29090	29091	29131	32607	32649	32686	32692	32728	34572	34609	34647	34652	34695
		S/T	0.48	0.56	0.64	0.64	0.73	0.54	0.63	0.71	0.72	0.82	0.57	0.67	0.76	0.76	0.86
		PI	2.03	2.03	2.03	2.03	2.04	2.28	2.28	2.29	2.29	2.29	2.42	2.42	2.42	2.42	2.43
	95°F	TC	26937	26973	27002	27004	27040	30267	30306	30340	30346	30379	32090	32125	32160	32165	32205
		S/T	0.48	0.57	0.64	0.64	0.73	0.54	0.64	0.72	0.72	0.83	0.58	0.68	0.77	0.77	0.87
		PI	2.59	2.60	2.60	2.60	2.60	2.91	2.92	2.92	2.92	2.93	3.09	3.09	3.10	3.10	3.10
	104°F	TC	25212	25245	25273	25274	25308	28328	28365	28396	28402	28433	30035	30067	30100	30105	30142
		S/T	0.51	0.60	0.68	0.68	0.77	0.57	0.67	0.76	0.76	0.87	0.60	0.71	0.81	0.81	0.92
		PI	2.74	2.74	2.74	2.74	2.75	3.07	3.08	3.08	3.08	3.09	3.26	3.26	3.27	3.27	3.27
	110°F	TC	24176	24209	24235	24236	24269	27165	27200	27230	27235	27266	28801	28833	28864	28869	28905
		S/T	0.51	0.60	0.68	0.68	0.78	0.58	0.68	0.77	0.77	0.88	0.61	0.72	0.82	0.82	0.93
		PI	2.82	2.82	2.83	2.83	2.83	3.17	3.17	3.18	3.18	3.18	3.36	3.36	3.37	3.37	3.37
	115°F	TC	20193	20220	20242	20242	20270	22689	22718	22743	22748	22773	24056	24082	24108	24112	24142
		S/T	0.51	0.60	0.68	0.68	0.78	0.58	0.68	0.77	0.77	0.88	0.61	0.72	0.82	0.82	0.93
		PI	2.45	2.45	2.46	2.46	2.46	2.75	2.76	2.76	2.76	2.76	2.92	2.92	2.93	2.93	2.93
122°F	TC	16349	16371	16388	16389	16411	18370	18393	18414	18417	18438	19476	19498	19519	19522	19546	
	S/T	0.53	0.62	0.71	0.71	0.81	0.60	0.70	0.80	0.80	0.91	0.63	0.74	0.84	0.84	0.96	
	PI	2.17	2.17	2.17	2.17	2.18	2.44	2.44	2.44	2.44	2.45	2.58	2.59	2.59	2.59	2.59	

TC: Total Cooling Capacity (BTU/hr)

S/T: Sensible Cooling Capacity Ratio

PI: Power Input(kW)

30MPHP-HE-SYS Expanded Cooling @ 895 CFM

CFM	ODDB	ID WB(°F)	60.8°F					67.0°F					71.6°F				
		ID DB(°F)	73.4°F	77.0°F	80.0°F	80.6°F	84.2°F	73.4°F	77.0°F	80.0°F	80.6°F	84.2°F	73.4°F	77.0°F	80.0°F	80.6°F	84.2°F
895	50°F	TC	30818	30859	30892	30894	30935	34627	34672	34711	34717	34756	36713	36753	36793	36799	36845
		S/T	0.50	0.58	0.66	0.66	0.75	0.56	0.65	0.74	0.74	0.85	0.59	0.69	0.79	0.79	0.90
		PI	1.90	1.90	1.91	1.91	1.91	2.14	2.14	2.14	2.14	2.14	2.26	2.27	2.27	2.27	2.27
	59°F	TC	31646	31688	31722	31724	31767	35557	35604	35643	35650	35690	37700	37741	37782	37788	37835
		S/T	0.50	0.58	0.66	0.66	0.76	0.56	0.66	0.75	0.75	0.85	0.59	0.70	0.79	0.79	0.90
		PI	1.88	1.88	1.88	1.88	1.89	2.11	2.12	2.12	2.12	2.12	2.24	2.24	2.24	2.25	2.25
	68°F	TC	32474	32517	32552	32554	32598	36488	36535	36576	36583	36623	38686	38728	38770	38776	38825
		S/T	0.50	0.59	0.67	0.67	0.76	0.56	0.66	0.75	0.75	0.86	0.60	0.70	0.80	0.80	0.91
		PI	1.86	1.86	1.86	1.86	1.87	2.09	2.09	2.09	2.09	2.10	2.22	2.22	2.22	2.22	2.22
	77°F	TC	33302	33346	33382	33384	33429	37418	37467	37508	37515	37557	39673	39716	39759	39765	39815
		S/T	0.51	0.60	0.69	0.69	0.78	0.58	0.68	0.77	0.77	0.88	0.61	0.72	0.82	0.82	0.93
		PI	1.84	1.84	1.84	1.84	1.85	2.07	2.07	2.07	2.07	2.07	2.19	2.19	2.20	2.20	2.20
	80°F	TC	33583	33628	33664	33666	33711	37734	37783	37825	37832	37875	40008	40051	40095	40101	40151
		S/T	0.52	0.61	0.69	0.69	0.79	0.59	0.69	0.78	0.78	0.89	0.62	0.73	0.83	0.83	0.94
		PI	1.83	1.83	1.84	1.84	1.84	2.06	2.06	2.06	2.06	2.07	2.18	2.18	2.19	2.19	2.19
	86°F	TC	32064	32107	32142	32143	32187	36028	36075	36115	36121	36162	38199	38240	38282	38288	38335
		S/T	0.53	0.62	0.70	0.70	0.80	0.59	0.70	0.79	0.79	0.90	0.63	0.74	0.84	0.84	0.95
		PI	2.24	2.25	2.25	2.25	2.25	2.52	2.52	2.53	2.53	2.53	2.67	2.67	2.68	2.68	2.68
	95°F	TC	29763	29803	29835	29837	29877	33442	33486	33523	33529	33567	35457	35496	35534	35540	35584
		S/T	0.53	0.63	0.71	0.71	0.81	0.60	0.70	0.80	0.80	0.91	0.64	0.75	0.85	0.85	0.97
		PI	2.87	2.87	2.87	2.87	2.88	3.22	3.22	3.23	3.23	3.23	3.41	3.42	3.42	3.42	3.43
	104°F	TC	27857	27894	27924	27925	27963	31300	31341	31375	31381	31416	33186	33222	33258	33263	33305
		S/T	0.56	0.66	0.75	0.75	0.85	0.63	0.74	0.84	0.84	0.96	0.67	0.78	0.89	0.89	1.00
		PI	3.02	3.03	3.03	3.03	3.03	3.40	3.40	3.40	3.40	3.41	3.60	3.60	3.61	3.61	3.61
	110°F	TC	26713	26749	26777	26779	26815	30015	30054	30087	30093	30126	31823	31858	31892	31897	31937
		S/T	0.57	0.67	0.76	0.76	0.86	0.64	0.75	0.85	0.85	0.97	0.68	0.79	0.90	0.90	1.00
		PI	3.12	3.12	3.12	3.12	3.13	3.50	3.51	3.51	3.51	3.51	3.71	3.72	3.72	3.72	3.73
	115°F	TC	22311	22341	22365	22366	22396	25069	25101	25129	25134	25162	26579	26608	26637	26641	26674
		S/T	0.57	0.67	0.76	0.76	0.86	0.64	0.75	0.85	0.85	0.97	0.68	0.79	0.90	0.90	1.00
		PI	2.71	2.71	2.71	2.71	2.72	3.04	3.05	3.05	3.05	3.05	3.23	3.23	3.23	3.23	3.24
122°F	TC	18064	18088	18108	18108	18133	20297	20323	20346	20350	20372	21520	21543	21567	21570	21597	
	S/T	0.59	0.69	0.78	0.78	0.89	0.66	0.77	0.88	0.88	1.00	0.70	0.82	0.93	0.93	1.00	
	PI	2.40	2.40	2.40	2.40	2.41	2.69	2.70	2.70	2.70	2.70	2.85	2.86	2.86	2.86	2.86	

TC:Total Cooling Capacity (BTU/hr)

S/T:Sensible Cooling Capacity Ratio

PI:Power Input(kW)

30MPHP-HE-SYS Expanded Cooling @ 988 CFM

CFM	ODDB	ID WB(°F)	60.8°F					67.0°F					71.6°F				
		ID DB(°F)	73.4°F	77.0°F	80.0°F	80.6°F	84.2°F	73.4°F	77.0°F	80.0°F	80.6°F	84.2°F	73.4°F	77.0°F	80.0°F	80.6°F	84.2°F
988	50°F	TC	33683	33728	33765	33766	33812	37847	37896	37938	37945	37987	40127	40171	40214	40221	40271
		S/T	0.54	0.64	0.72	0.72	0.82	0.61	0.71	0.81	0.81	0.93	0.65	0.76	0.86	0.86	0.98
		PI	2.08	2.08	2.08	2.08	2.09	2.33	2.34	2.34	2.34	2.34	2.48	2.48	2.48	2.48	2.48
	59°F	TC	34588	34635	34672	34673	34720	38863	38914	38957	38965	39008	41205	41250	41295	41301	41353
		S/T	0.54	0.64	0.73	0.73	0.83	0.61	0.72	0.82	0.82	0.93	0.65	0.76	0.86	0.86	0.99
		PI	2.06	2.06	2.06	2.06	2.06	2.31	2.31	2.31	2.32	2.32	2.45	2.45	2.45	2.45	2.46
	68°F	TC	35493	35541	35579	35581	35629	39880	39932	39977	39984	40029	42283	42329	42375	42382	42435
		S/T	0.55	0.64	0.73	0.73	0.83	0.61	0.72	0.82	0.82	0.93	0.65	0.76	0.87	0.87	0.99
		PI	2.03	2.04	2.04	2.04	2.04	2.28	2.29	2.29	2.29	2.29	2.42	2.42	2.43	2.43	2.43
	77°F	TC	36398	36447	36486	36488	36537	40897	40950	40996	41004	41049	43361	43408	43456	43462	43517
		S/T	0.56	0.66	0.75	0.75	0.85	0.63	0.74	0.84	0.84	0.96	0.67	0.79	0.89	0.89	1.00
		PI	2.01	2.01	2.01	2.01	2.02	2.26	2.26	2.26	2.26	2.27	2.39	2.40	2.40	2.40	2.40
	80°F	TC	36706	36755	36795	36796	36846	41243	41296	41342	41350	41396	43728	43775	43823	43830	43884
		S/T	0.57	0.67	0.76	0.76	0.86	0.64	0.75	0.85	0.85	0.97	0.68	0.80	0.90	0.90	1.00
		PI	2.00	2.00	2.01	2.01	2.01	2.25	2.25	2.25	2.26	2.26	2.38	2.39	2.39	2.39	2.39
	86°F	TC	35046	35093	35131	35132	35180	39378	39429	39473	39480	39524	41750	41796	41841	41848	41900
		S/T	0.58	0.68	0.77	0.77	0.88	0.65	0.76	0.86	0.86	0.98	0.69	0.81	0.92	0.92	1.00
		PI	2.45	2.45	2.46	2.46	2.46	2.75	2.76	2.76	2.76	2.76	2.92	2.92	2.93	2.93	2.93
	95°F	TC	32531	32574	32609	32611	32655	36552	36599	36640	36647	36688	38754	38796	38838	38844	38893
		S/T	0.58	0.68	0.78	0.78	0.89	0.66	0.77	0.87	0.87	1.00	0.70	0.82	0.93	0.93	1.00
		PI	3.13	3.14	3.14	3.14	3.14	3.52	3.52	3.53	3.53	3.53	3.73	3.74	3.74	3.74	3.75
	104°F	TC	30447	30488	30520	30522	30563	34210	34255	34293	34299	34337	36271	36311	36350	36356	36401
		S/T	0.61	0.72	0.82	0.82	0.93	0.69	0.81	0.92	0.92	1.00	0.73	0.86	0.97	0.97	1.00
		PI	3.30	3.31	3.31	3.31	3.32	3.71	3.72	3.72	3.72	3.73	3.94	3.94	3.94	3.94	3.95
	110°F	TC	29196	29236	29267	29268	29308	32805	32848	32885	32891	32927	34782	34820	34858	34863	34906
		S/T	0.62	0.73	0.83	0.83	0.94	0.70	0.82	0.93	0.93	1.00	0.74	0.87	0.98	0.98	1.00
		PI	3.41	3.41	3.41	3.41	3.42	3.83	3.83	3.84	3.84	3.84	4.06	4.06	4.07	4.07	4.07
	115°F	TC	24385	24418	24445	24446	24479	27400	27435	27466	27471	27502	29051	29082	29114	29118	29155
		S/T	0.62	0.73	0.83	0.83	0.94	0.70	0.82	0.93	0.93	1.00	0.74	0.87	0.98	0.98	1.00
		PI	2.96	2.96	2.97	2.97	2.97	3.33	3.33	3.33	3.33	3.34	3.53	3.53	3.53	3.53	3.54
122°F	TC	19743	19770	19791	19792	19819	22184	22213	22238	22242	22266	23521	23546	23572	23575	23605	
	S/T	0.64	0.75	0.86	0.86	0.98	0.72	0.85	0.96	0.96	1.00	0.75	0.88	1.00	1.00	1.00	
	PI	2.62	2.62	2.63	2.63	2.63	2.94	2.95	2.95	2.95	2.95	3.12	3.12	3.13	3.13	3.13	

TC:Total Cooling Capacity (BTU/hr)

S/T:Sensible Cooling Capacity Ratio

PI:Power Input(kW)

30MPHP-HE-SYS Expanded Heating @ 712 CFM

CFM	HEATING PERFORMANCE AT INDOOR DRY BULB TEMPERATURE										
	OD DB (°F)	TC: Total Heating Capacity (BTU/hr)					PI: Power Input (kW)				
		Indoor Conditions (DB °F)					Indoor Conditions (DB °F)				
		60.8°F	68°F	70°F	71.6°F	75.2°F	60.8°F	68°F	70°F	71.6°F	75.2°F
712	-13°F	11583	11352	11295	11146	11045	2.84	2.86	2.86	2.87	2.88
	-10°F	12498	12248	12186	12025	11917	2.81	2.83	2.84	2.84	2.85
	-4°F	14326	14039	13969	13784	13660	2.75	2.77	2.78	2.79	2.80
	0°F	15378	15070	14995	14796	14663	2.85	2.88	2.88	2.89	2.90
	5°F	16693	16359	16277	16062	15917	2.98	3.00	3.01	3.02	3.03
	14°F	17723	17369	17282	17053	16900	2.79	2.82	2.82	2.83	2.84
	17°F	18067	17705	17617	17384	17227	2.73	2.75	2.76	2.76	2.77
	22°F	18482	18113	18022	17784	17624	2.69	2.71	2.72	2.73	2.74
	27°F	18898	18520	18428	18184	18020	2.65	2.68	2.68	2.69	2.70
	32°F	19314	18928	18833	18584	18416	2.62	2.64	2.64	2.65	2.66
	37°F	19563	19172	19076	18824	18654	2.59	2.62	2.62	2.63	2.64
	42°F	24567	24076	23956	23639	23426	2.62	2.64	2.65	2.65	2.66
	44.6°F	25997	25477	25350	25014	24789	2.63	2.65	2.65	2.66	2.67
	47°F	28142	27579	27441	27078	26834	2.65	2.67	2.67	2.68	2.69
	52°F	26735	26200	26069	25724	25493	2.59	2.61	2.62	2.62	2.64
	57°F	25398	24890	24766	24438	24218	2.54	2.56	2.57	2.57	2.58
	59°F	24128	23646	23527	23216	23007	2.49	2.51	2.52	2.52	2.53
62°F	22922	22463	22351	22055	21857	2.44	2.46	2.47	2.47	2.48	
64.4°F	21776	21340	21234	20952	20764	2.39	2.41	2.42	2.42	2.43	

30MPHP-HE-SYS Expanded Heating @ 802 CFM

CFM	HEATING PERFORMANCE AT INDOOR DRY BULB TEMPERATURE										
	OD DB (°F)	TC: Total Heating Capacity (BTU/hr)					PI: Power Input (kW)				
		Indoor Conditions (DB °F)					Indoor Conditions (DB °F)				
		60.8°F	68°F	70°F	71.6°F	75.2°F	60.8°F	68°F	70°F	71.6°F	75.2°F
802	-13°F	12550	12299	12238	12189	12079	2.86	2.89	2.89	2.90	2.91
	-10°F	13541	13270	13203	13151	13032	2.84	2.86	2.86	2.87	2.88
	-4°F	15521	15211	15135	15074	14939	2.78	2.80	2.81	2.81	2.83
	0°F	16661	16328	16246	16181	16036	2.88	2.91	2.91	2.92	2.93
	5°F	18086	17724	17635	17565	17407	3.01	3.03	3.04	3.05	3.06
	14°F	19202	18818	18724	18649	18482	2.82	2.84	2.85	2.86	2.87
	17°F	19575	19183	19087	19011	18840	2.76	2.78	2.79	2.79	2.80
	22°F	20025	19624	19526	19448	19273	2.72	2.74	2.75	2.75	2.76
	27°F	20475	20066	19965	19886	19707	2.68	2.70	2.71	2.71	2.73
	32°F	20926	20507	20405	20323	20140	2.64	2.67	2.67	2.68	2.69
	37°F	21196	20772	20668	20585	20400	2.62	2.64	2.65	2.65	2.66
	42°F	26618	26085	25955	25851	25619	2.65	2.67	2.67	2.68	2.69
	44.6°F	28167	27604	27466	27356	27110	2.65	2.67	2.68	2.69	2.70
	47°F	30491	29881	29731	29612	29346	2.67	2.69	2.70	2.71	2.72
	52°F	28966	28387	28245	28132	27879	2.62	2.64	2.65	2.65	2.66
	57°F	27518	26967	26833	26725	26485	2.57	2.59	2.59	2.60	2.61
	59°F	26142	25619	25491	25389	25161	2.52	2.54	2.54	2.55	2.56
62°F	24835	24338	24216	24120	23902	2.47	2.49	2.49	2.50	2.51	
64.4°F	23593	23121	23006	22914	22707	2.42	2.44	2.44	2.45	2.46	

30MPHP-HE-SYS Expanded Heating @ 895 CFM

CFM	HEATING PERFORMANCE AT INDOOR DRY BULB TEMPERATURE										
	OD DB (°F)	TC: Total Heating Capacity (BTU/hr)					PI: Power Input (kW)				
		Indoor Conditions (DB °F)					Indoor Conditions (DB °F)				
		60.8°F	68°F	70°F	71.6°F	75.2°F	60.8°F	68°F	70°F	71.6°F	75.2°F
895	-13°F	13598	13326	13259	13206	13087	2.89	2.92	2.92	2.93	2.94
	-10°F	14671	14377	14305	14248	14120	2.86	2.89	2.89	2.90	2.91
	-4°F	16817	16480	16398	16332	16185	2.81	2.83	2.84	2.84	2.85
	0°F	18052	17691	17602	17532	17374	2.91	2.94	2.94	2.95	2.96
	5°F	19595	19203	19107	19031	18859	3.04	3.06	3.07	3.08	3.09
	14°F	20805	20389	20287	20206	20024	2.85	2.87	2.88	2.88	2.90
	17°F	21208	20784	20680	20597	20412	2.79	2.81	2.81	2.82	2.83
	22°F	21696	21262	21156	21071	20882	2.75	2.77	2.78	2.78	2.79
	27°F	22184	21740	21632	21545	21351	2.71	2.73	2.74	2.74	2.75
	32°F	22672	22219	22107	22019	21821	2.67	2.69	2.70	2.70	2.71
	37°F	22965	22505	22393	22303	22103	2.65	2.67	2.67	2.68	2.69
	42°F	28839	28262	28121	28009	27757	2.67	2.69	2.70	2.71	2.72
	44.6°F	30518	29907	29758	29639	29372	2.68	2.70	2.71	2.71	2.72
	47°F	33035	32375	32213	32084	31795	2.70	2.72	2.73	2.73	2.74
	52°F	31384	30756	30602	30480	30205	2.65	2.67	2.67	2.68	2.69
	57°F	29814	29218	29072	28956	28695	2.59	2.61	2.62	2.62	2.63
	59°F	28324	27757	27618	27508	27260	2.54	2.56	2.57	2.57	2.58
62°F	26907	26369	26237	26132	25897	2.49	2.51	2.52	2.52	2.53	
64.4°F	25562	25051	24926	24826	24602	2.44	2.46	2.46	2.47	2.48	

30MPHP-HE-SYS Expanded Heating @ 988 CFM

CFM	HEATING PERFORMANCE AT INDOOR DRY BULB TEMPERATURE										
	OD DB (°F)	TC: Total Heating Capacity (BTU/hr)					PI: Power Input (kW)				
		Indoor Conditions (DB °F)					Indoor Conditions (DB °F)				
		60.8°F	68°F	70°F	71.6°F	75.2°F	60.8°F	68°F	70°F	71.6°F	75.2°F
988	-13°F	14573	14282	14210	14154	14026	2.92	2.95	2.95	2.96	2.97
	-10°F	15723	15409	15332	15271	15133	2.89	2.92	2.92	2.93	2.94
	-4°F	18024	17663	17575	17504	17347	2.84	2.86	2.87	2.87	2.88
	0°F	19347	18960	18865	18790	18621	2.94	2.96	2.97	2.98	2.99
	5°F	21001	20581	20478	20396	20213	3.07	3.10	3.10	3.11	3.12
	14°F	22298	21852	21743	21656	21461	2.88	2.90	2.91	2.91	2.92
	17°F	22730	22275	22164	22075	21877	2.81	2.84	2.84	2.85	2.86
	22°F	23253	22788	22674	22583	22380	2.78	2.80	2.80	2.81	2.82
	27°F	23776	23300	23184	23091	22883	2.74	2.76	2.76	2.77	2.78
	32°F	24299	23813	23694	23599	23387	2.70	2.72	2.72	2.73	2.74
	37°F	24613	24120	24000	23904	23689	2.67	2.70	2.70	2.71	2.72
	42°F	30909	30291	30139	30018	29748	2.70	2.72	2.73	2.73	2.74
	44.6°F	32708	32053	31893	31766	31480	2.71	2.73	2.73	2.74	2.75
	47°F	35406	34698	34524	34386	34077	2.73	2.75	2.75	2.76	2.77
	52°F	33636	32963	32798	32667	32373	2.67	2.69	2.70	2.70	2.72
	57°F	31954	31315	31158	31033	30754	2.62	2.64	2.65	2.65	2.66
	59°F	30356	29749	29600	29482	29216	2.57	2.59	2.59	2.60	2.61
62°F	28838	28261	28120	28008	27756	2.52	2.54	2.54	2.55	2.56	
64.4°F	27396	26848	26714	26607	26368	2.46	2.48	2.49	2.49	2.50	

36MPHP-HE-SYS Expanded Cooling @ 865 CFM

CFM	ODDB	ID WB(°F)	60.8°F					67.0°F					71.6°F				
			ID DB(°F)	73.4°F	77.0°F	80.0°F	80.6°F	84.2°F	73.4°F	77.0°F	80.0°F	80.6°F	84.2°F	73.4°F	77.0°F	80.0°F	80.6°F
865	50°F	TC	29320	29359	29391	29392	29432	32944	32987	33024	33030	33067	34929	34967	35005	35010	35054
		S/T	0.41	0.48	0.54	0.54	0.62	0.46	0.54	0.61	0.61	0.69	0.48	0.57	0.65	0.65	0.74
		PI	2.07	2.08	2.08	2.08	2.08	2.33	2.33	2.33	2.33	2.34	2.47	2.47	2.47	2.47	2.48
	59°F	TC	29854	29894	29926	29928	29968	33544	33588	33625	33632	33669	35565	35604	35643	35648	35693
		S/T	0.41	0.48	0.54	0.54	0.62	0.46	0.54	0.61	0.61	0.70	0.49	0.57	0.65	0.65	0.74
		PI	2.16	2.16	2.16	2.16	2.17	2.43	2.43	2.43	2.43	2.44	2.57	2.58	2.58	2.58	2.58
	68°F	TC	30388	30429	30462	30463	30504	34144	34189	34227	34233	34271	36202	36241	36281	36286	36331
		S/T	0.41	0.48	0.55	0.55	0.62	0.46	0.54	0.62	0.62	0.70	0.49	0.57	0.65	0.65	0.74
		PI	2.25	2.25	2.25	2.25	2.25	2.52	2.53	2.53	2.53	2.53	2.68	2.68	2.68	2.68	2.69
	77°F	TC	30922	30964	30997	30999	31040	34745	34790	34829	34835	34874	36838	36878	36918	36924	36970
		S/T	0.42	0.49	0.56	0.56	0.64	0.47	0.56	0.63	0.63	0.72	0.50	0.59	0.67	0.67	0.76
		PI	2.33	2.34	2.34	2.34	2.34	2.62	2.62	2.63	2.63	2.63	2.78	2.78	2.79	2.79	2.79
	80°F	TC	31104	31146	31179	31181	31223	34949	34994	35033	35040	35079	37054	37095	37135	37141	37187
		S/T	0.43	0.50	0.57	0.57	0.65	0.48	0.56	0.64	0.64	0.73	0.51	0.60	0.68	0.68	0.77
		PI	2.36	2.37	2.37	2.37	2.37	2.65	2.66	2.66	2.66	2.66	2.81	2.82	2.82	2.82	2.82
	86°F	TC	29173	29212	29243	29245	29284	32779	32821	32858	32864	32901	34754	34792	34829	34835	34878
		S/T	0.43	0.51	0.58	0.58	0.66	0.49	0.57	0.65	0.65	0.74	0.52	0.60	0.69	0.69	0.78
		PI	2.62	2.63	2.63	2.63	2.63	2.95	2.95	2.95	2.95	2.96	3.12	3.13	3.13	3.13	3.14
	95°F	TC	26247	26282	26310	26311	26347	29491	29529	29562	29568	29601	31268	31302	31336	31341	31380
		S/T	0.44	0.51	0.58	0.58	0.67	0.49	0.58	0.66	0.66	0.75	0.52	0.61	0.70	0.70	0.79
		PI	3.02	3.02	3.02	3.02	3.03	3.39	3.39	3.40	3.40	3.40	3.59	3.60	3.60	3.60	3.61
	104°F	TC	24084	24116	24142	24143	24176	27061	27096	27126	27131	27162	28691	28723	28754	28758	28794
		S/T	0.46	0.54	0.61	0.61	0.70	0.52	0.61	0.69	0.69	0.79	0.55	0.64	0.73	0.73	0.83
		PI	2.96	2.97	2.97	2.97	2.97	3.33	3.33	3.34	3.34	3.34	3.53	3.53	3.54	3.54	3.54
	110°F	TC	22786	22817	22841	22842	22873	25603	25636	25665	25669	25698	27145	27175	27205	27209	27243
		S/T	0.47	0.55	0.62	0.62	0.71	0.52	0.61	0.70	0.70	0.79	0.55	0.65	0.74	0.74	0.84
		PI	2.93	2.93	2.94	2.94	2.94	3.29	3.30	3.30	3.30	3.30	3.49	3.49	3.50	3.50	3.50
	115°F	TC	21493	21522	21545	21546	21575	24150	24181	24208	24212	24239	25605	25633	25660	25664	25696
		S/T	0.47	0.55	0.62	0.62	0.71	0.52	0.61	0.70	0.70	0.79	0.55	0.65	0.74	0.74	0.84
		PI	2.88	2.88	2.88	2.88	2.89	3.23	3.24	3.24	3.24	3.24	3.43	3.43	3.43	3.44	3.44
	122°F	TC	16631	16653	16671	16672	16694	18686	18711	18731	18735	18756	19812	19834	19855	19858	19883
		S/T	0.48	0.57	0.64	0.64	0.73	0.54	0.64	0.72	0.72	0.82	0.57	0.67	0.76	0.76	0.87
		PI	2.35	2.36	2.36	2.36	2.36	2.64	2.65	2.65	2.65	2.65	2.80	2.81	2.81	2.81	2.81

TC:Total Cooling Capacity (BTU/hr)

S/T:Sensible Cooling Capacity Ratio

PI:Power Input(kW)

36MPHP-HE-SYS Expanded Cooling @ 971 CFM

CFM	ODDB	ID WB(°F)	60.8°F					67.0°F					71.6°F				
		ID DB(°F)	73.4°F	77.0°F	80.0°F	80.6°F	84.2°F	73.4°F	77.0°F	80.0°F	80.6°F	84.2°F	73.4°F	77.0°F	80.0°F	80.6°F	84.2°F
971	50°F	TC	32587	32631	32666	32667	32711	36615	36663	36703	36710	36751	38821	38863	38906	38912	38960
		S/T	0.45	0.53	0.60	0.60	0.68	0.50	0.59	0.67	0.67	0.77	0.53	0.63	0.71	0.71	0.81
		PI	2.28	2.28	2.28	2.28	2.29	2.56	2.56	2.57	2.57	2.57	2.71	2.72	2.72	2.72	2.72
	59°F	TC	33181	33225	33261	33263	33307	37282	37330	37372	37379	37421	39528	39571	39614	39621	39670
		S/T	0.45	0.53	0.60	0.60	0.69	0.51	0.59	0.68	0.68	0.77	0.54	0.63	0.72	0.72	0.82
		PI	2.37	2.38	2.38	2.38	2.38	2.67	2.67	2.67	2.67	2.68	2.83	2.83	2.83	2.83	2.84
	68°F	TC	33774	33820	33856	33858	33903	37949	37998	38041	38048	38090	40236	40279	40323	40330	40380
		S/T	0.45	0.53	0.60	0.60	0.69	0.51	0.60	0.68	0.68	0.77	0.54	0.63	0.72	0.72	0.82
		PI	2.47	2.47	2.47	2.47	2.48	2.77	2.78	2.78	2.78	2.78	2.94	2.94	2.95	2.95	2.95
	77°F	TC	34368	34414	34451	34453	34499	38616	38666	38709	38717	38760	40943	40987	41032	41038	41090
		S/T	0.47	0.55	0.62	0.62	0.71	0.52	0.61	0.70	0.70	0.79	0.55	0.65	0.74	0.74	0.84
		PI	2.56	2.57	2.57	2.57	2.57	2.88	2.88	2.89	2.89	2.89	3.05	3.06	3.06	3.06	3.07
	80°F	TC	34570	34616	34654	34655	34702	38843	38893	38937	38944	38988	41183	41228	41273	41279	41331
		S/T	0.47	0.55	0.63	0.63	0.72	0.53	0.62	0.71	0.71	0.81	0.56	0.66	0.75	0.75	0.85
		PI	2.60	2.60	2.60	2.60	2.61	2.92	2.92	2.92	2.92	2.93	3.09	3.10	3.10	3.10	3.10
	86°F	TC	32423	32467	32502	32503	32547	36431	36479	36519	36526	36567	38626	38668	38710	38716	38765
		S/T	0.48	0.56	0.64	0.64	0.73	0.54	0.63	0.72	0.72	0.82	0.57	0.67	0.76	0.76	0.86
		PI	2.88	2.89	2.89	2.89	2.89	3.24	3.24	3.25	3.25	3.25	3.43	3.44	3.44	3.44	3.45
	95°F	TC	29171	29210	29242	29243	29283	32777	32820	32856	32862	32899	34752	34790	34828	34833	34876
		S/T	0.48	0.57	0.64	0.64	0.74	0.54	0.64	0.72	0.72	0.83	0.58	0.68	0.77	0.77	0.88
		PI	3.31	3.32	3.32	3.32	3.33	3.72	3.73	3.73	3.73	3.74	3.95	3.95	3.96	3.96	3.96
	104°F	TC	26768	26804	26832	26834	26870	30076	30115	30149	30154	30188	31888	31923	31958	31963	32003
		S/T	0.51	0.60	0.68	0.68	0.77	0.57	0.67	0.76	0.76	0.87	0.60	0.71	0.81	0.81	0.92
		PI	3.26	3.26	3.26	3.26	3.27	3.66	3.66	3.67	3.67	3.67	3.88	3.88	3.89	3.89	3.89
	110°F	TC	25325	25359	25387	25388	25422	28456	28493	28524	28530	28562	30170	30203	30236	30241	30278
		S/T	0.51	0.60	0.69	0.69	0.78	0.58	0.68	0.77	0.77	0.88	0.61	0.72	0.82	0.82	0.93
		PI	3.22	3.22	3.23	3.23	3.23	3.62	3.62	3.63	3.63	3.63	3.84	3.84	3.84	3.84	3.85
	115°F	TC	23888	23920	23946	23947	23979	26841	26875	26905	26910	26940	28458	28489	28520	28524	28560
		S/T	0.51	0.60	0.69	0.69	0.78	0.58	0.68	0.77	0.77	0.88	0.61	0.72	0.82	0.82	0.93
		PI	3.16	3.17	3.17	3.17	3.17	3.55	3.56	3.56	3.56	3.57	3.77	3.77	3.77	3.77	3.78
	122°F	TC	18484	18509	18529	18529	18554	20768	20795	20819	20822	20846	22020	22044	22068	22071	22099
		S/T	0.53	0.62	0.71	0.71	0.81	0.60	0.70	0.80	0.80	0.91	0.63	0.74	0.84	0.84	0.96
		PI	2.58	2.59	2.59	2.59	2.59	2.90	2.91	2.91	2.91	2.92	3.08	3.08	3.09	3.09	3.09

TC: Total Cooling Capacity (BTU/hr)

S/T: Sensible Cooling Capacity Ratio

PI: Power Input(kW)

36MPHP-HE-SYS Expanded Cooling @ 1,083 CFM

CFM	ODDB	ID WB(°F)	60.8°F					67.0°F					71.6°F				
		ID DB(°F)	73.4°F	77.0°F	80.0°F	80.6°F	84.2°F	73.4°F	77.0°F	80.0°F	80.6°F	84.2°F	73.4°F	77.0°F	80.0°F	80.6°F	84.2°F
1083	50°F	TC	35986	36034	36073	36075	36123	40434	40487	40532	40539	40584	42870	42917	42964	42970	43024
		S/T	0.50	0.58	0.66	0.66	0.75	0.56	0.65	0.74	0.74	0.85	0.59	0.69	0.79	0.79	0.90
		PI	2.51	2.52	2.52	2.52	2.52	2.83	2.83	2.83	2.83	2.84	3.00	3.00	3.00	3.00	3.01
	59°F	TC	36641	36691	36730	36732	36781	41171	41224	41270	41278	41324	43651	43699	43746	43753	43808
		S/T	0.50	0.58	0.66	0.66	0.76	0.56	0.66	0.75	0.75	0.85	0.59	0.70	0.79	0.79	0.90
		PI	2.62	2.62	2.63	2.63	2.63	2.94	2.95	2.95	2.95	2.96	3.12	3.12	3.13	3.13	3.13
	68°F	TC	37297	37347	37387	37389	37440	41907	41962	42009	42016	42063	44432	44481	44529	44536	44591
		S/T	0.50	0.59	0.67	0.67	0.76	0.56	0.66	0.75	0.75	0.86	0.60	0.70	0.80	0.80	0.91
		PI	2.73	2.73	2.73	2.73	2.74	3.06	3.07	3.07	3.07	3.07	3.25	3.25	3.25	3.25	3.26
	77°F	TC	37953	38004	38045	38046	38098	42644	42699	42747	42755	42803	45213	45263	45312	45319	45375
		S/T	0.51	0.60	0.69	0.69	0.78	0.58	0.68	0.77	0.77	0.88	0.61	0.72	0.82	0.82	0.93
		PI	2.83	2.83	2.84	2.84	2.84	3.18	3.19	3.19	3.19	3.19	3.37	3.38	3.38	3.38	3.38
	80°F	TC	38176	38227	38268	38270	38321	42894	42950	42998	43006	43054	45479	45528	45578	45585	45642
		S/T	0.52	0.61	0.69	0.69	0.79	0.59	0.69	0.78	0.78	0.89	0.62	0.73	0.83	0.83	0.94
		PI	2.87	2.87	2.87	2.87	2.88	3.22	3.23	3.23	3.23	3.23	3.42	3.42	3.42	3.42	3.43
	86°F	TC	35805	35853	35892	35894	35942	40231	40283	40328	40336	40381	42655	42702	42748	42755	42808
		S/T	0.53	0.62	0.70	0.70	0.80	0.59	0.70	0.79	0.79	0.90	0.63	0.74	0.84	0.84	0.95
		PI	3.18	3.19	3.19	3.19	3.19	3.58	3.58	3.58	3.59	3.59	3.79	3.80	3.80	3.80	3.80
	95°F	TC	32214	32257	32292	32293	32337	36196	36243	36283	36290	36330	38377	38418	38460	38466	38514
		S/T	0.53	0.63	0.71	0.71	0.81	0.60	0.70	0.80	0.80	0.91	0.64	0.75	0.85	0.85	0.97
		PI	3.66	3.67	3.67	3.67	3.67	4.11	4.12	4.12	4.12	4.13	4.36	4.37	4.37	4.37	4.38
	104°F	TC	29559	29599	29631	29632	29672	33213	33256	33293	33300	33337	35214	35253	35291	35297	35340
		S/T	0.56	0.66	0.75	0.75	0.85	0.63	0.74	0.84	0.84	0.96	0.67	0.78	0.89	0.89	1.00
		PI	3.59	3.60	3.60	3.60	3.61	4.04	4.04	4.05	4.05	4.05	4.28	4.29	4.29	4.29	4.30
	110°F	TC	27967	28004	28035	28036	28074	31424	31465	31500	31505	31541	33317	33353	33390	33395	33436
		S/T	0.57	0.67	0.76	0.76	0.86	0.64	0.75	0.85	0.85	0.97	0.68	0.79	0.90	0.90	1.00
		PI	3.55	3.56	3.56	3.56	3.57	3.99	4.00	4.00	4.00	4.01	4.24	4.24	4.24	4.24	4.25
	115°F	TC	26379	26415	26443	26444	26480	29640	29679	29712	29717	29750	31426	31460	31494	31499	31539
		S/T	0.57	0.67	0.76	0.76	0.86	0.64	0.75	0.85	0.85	0.97	0.68	0.79	0.90	0.90	1.00
		PI	3.49	3.50	3.50	3.50	3.50	3.92	3.93	3.93	3.93	3.94	4.16	4.16	4.17	4.17	4.17
122°F	TC	20412	20439	20461	20462	20490	22935	22964	22990	22994	23020	24317	24343	24369	24373	24404	
	S/T	0.59	0.69	0.78	0.78	0.89	0.66	0.77	0.88	0.88	1.00	0.70	0.82	0.93	0.93	1.00	
	PI	2.85	2.86	2.86	2.86	2.87	3.21	3.21	3.22	3.22	3.22	3.40	3.40	3.41	3.41	3.41	

TC:Total Cooling Capacity (BTU/hr)

S/T:Sensible Cooling Capacity Ratio

PI:Power Input(kW)

36MPHP-HE-SYS Expanded Cooling @ 1,188 CFM

CFM	ODDB	ID WB(°F)	60.8°F					67.0°F					71.6°F				
		ID DB(°F)	73.4°F	77.0°F	80.0°F	80.6°F	84.2°F	73.4°F	77.0°F	80.0°F	80.6°F	84.2°F	73.4°F	77.0°F	80.0°F	80.6°F	84.2°F
1188	50°F	TC	39084	39136	39179	39180	39233	43915	43972	44021	44029	44078	46561	46612	46662	46670	46728
		S/T	0.54	0.63	0.72	0.72	0.82	0.60	0.71	0.81	0.81	0.92	0.64	0.75	0.85	0.85	0.97
		PI	2.73	2.74	2.74	2.74	2.74	3.07	3.07	3.08	3.08	3.08	3.25	3.26	3.26	3.26	3.27
	59°F	TC	39796	39849	39892	39894	39948	44715	44773	44823	44831	44881	47409	47461	47512	47520	47579
		S/T	0.54	0.63	0.72	0.72	0.82	0.61	0.71	0.81	0.81	0.92	0.64	0.76	0.86	0.86	0.98
		PI	2.85	2.85	2.85	2.85	2.86	3.20	3.20	3.21	3.21	3.21	3.39	3.39	3.40	3.40	3.40
	68°F	TC	40508	40562	40606	40608	40663	45515	45574	45625	45634	45685	48258	48310	48363	48370	48430
		S/T	0.54	0.64	0.72	0.73	0.83	0.61	0.72	0.81	0.81	0.93	0.65	0.76	0.86	0.86	0.98
		PI	2.96	2.96	2.97	2.97	2.97	3.33	3.33	3.33	3.33	3.34	3.53	3.53	3.53	3.53	3.54
	77°F	TC	41220	41276	41320	41322	41378	46315	46375	46427	46436	46488	49106	49159	49213	49220	49282
		S/T	0.56	0.65	0.74	0.74	0.85	0.63	0.74	0.84	0.84	0.95	0.66	0.78	0.89	0.89	1.00
		PI	3.07	3.08	3.08	3.08	3.09	3.45	3.46	3.46	3.46	3.47	3.66	3.67	3.67	3.67	3.68
	80°F	TC	41462	41518	41563	41565	41621	46587	46648	46700	46708	46761	49394	49448	49502	49509	49571
		S/T	0.57	0.66	0.75	0.75	0.86	0.64	0.75	0.85	0.85	0.97	0.67	0.79	0.90	0.90	1.00
		PI	3.11	3.12	3.12	3.12	3.13	3.50	3.50	3.51	3.51	3.51	3.71	3.71	3.72	3.72	3.72
	86°F	TC	38888	38940	38982	38984	39036	43695	43751	43800	43808	43857	46327	46378	46428	46435	46493
		S/T	0.57	0.67	0.76	0.76	0.87	0.64	0.76	0.86	0.86	0.98	0.68	0.80	0.91	0.91	1.00
		PI	3.46	3.46	3.46	3.46	3.47	3.88	3.89	3.89	3.89	3.90	4.12	4.12	4.13	4.13	4.13
	95°F	TC	34987	35034	35072	35074	35121	39312	39363	39407	39414	39458	41681	41726	41771	41778	41830
		S/T	0.58	0.68	0.77	0.77	0.88	0.65	0.76	0.87	0.87	0.99	0.69	0.81	0.92	0.92	1.00
		PI	3.98	3.98	3.99	3.99	3.99	4.47	4.47	4.48	4.48	4.48	4.74	4.74	4.75	4.75	4.75
	104°F	TC	32104	32147	32182	32183	32227	36073	36119	36160	36166	36207	38246	38288	38329	38335	38383
		S/T	0.61	0.71	0.81	0.81	0.93	0.68	0.80	0.91	0.91	1.00	0.73	0.85	0.97	0.97	1.00
		PI	3.90	3.91	3.91	3.91	3.92	4.39	4.39	4.40	4.40	4.40	4.65	4.66	4.66	4.66	4.67
	110°F	TC	30374	30415	30448	30449	30490	34129	34173	34211	34218	34256	36185	36225	36264	36270	36315
		S/T	0.62	0.72	0.82	0.82	0.94	0.69	0.81	0.92	0.92	1.00	0.73	0.86	0.98	0.98	1.00
		PI	3.86	3.87	3.87	3.87	3.88	4.34	4.34	4.35	4.35	4.35	4.60	4.60	4.61	4.61	4.62
	115°F	TC	28650	28689	28720	28721	28760	32192	32234	32270	32276	32312	34132	34169	34206	34211	34254
		S/T	0.62	0.72	0.82	0.82	0.94	0.69	0.81	0.92	0.92	1.00	0.73	0.86	0.98	0.98	1.00
		PI	3.79	3.80	3.80	3.80	3.81	4.26	4.27	4.27	4.27	4.28	4.52	4.52	4.53	4.53	4.53
	122°F	TC	22169	22199	22223	22224	22254	24909	24942	24969	24974	25002	26410	26439	26467	26472	26505
		S/T	0.64	0.75	0.85	0.85	0.97	0.72	0.84	0.96	0.96	1.00	0.75	0.88	1.00	1.00	1.00
		PI	3.10	3.10	3.11	3.11	3.11	3.48	3.49	3.49	3.49	3.50	3.69	3.70	3.70	3.70	3.71

TC:Total Cooling Capacity (BTU/hr)

S/T:Sensible Cooling Capacity Ratio

PI:Power Input(kW)

36MPHP-HE-SYS Expanded Heating @ 865 CFM

CFM	HEATING PERFORMANCE AT INDOOR DRY BULB TEMPERATURE										
	OD DB (°F)	TC: Total Heating Capacity (BTU/hr)					PI: Power Input (kW)				
		Indoor Conditions (DB °F)					Indoor Conditions (DB °F)				
		60.8°F	68°F	70°F	71.6°F	75.2°F	60.8°F	68°F	70°F	71.6°F	75.2°F
865	-13°F	13279	13014	12949	12814	12699	3.00	3.02	3.03	3.03	3.04
	-10°F	14550	14259	14187	14040	13914	3.01	3.03	3.04	3.05	3.06
	-4°F	17090	16748	16664	16491	16343	3.03	3.06	3.06	3.07	3.08
	0°F	18262	17897	17808	17623	17464	3.11	3.13	3.14	3.14	3.16
	5°F	19728	19333	19237	19037	18866	3.20	3.22	3.23	3.24	3.25
	14°F	19459	19070	18975	18778	18609	3.06	3.08	3.09	3.09	3.11
	17°F	19370	18983	18888	18691	18523	3.01	3.03	3.04	3.05	3.06
	22°F	21126	20704	20600	20386	20203	3.05	3.07	3.08	3.09	3.10
	27°F	22883	22425	22313	22081	21883	3.09	3.11	3.12	3.13	3.14
	32°F	24639	24147	24026	23776	23562	3.13	3.15	3.16	3.17	3.18
	37°F	25693	25179	25053	24793	24570	3.15	3.18	3.18	3.19	3.20
	42°F	29807	29210	29064	28763	28504	3.48	3.50	3.51	3.52	3.53
	44.6°F	30982	30362	30210	29897	29628	3.57	3.60	3.61	3.61	3.63
	47°F	32745	32090	31929	31598	31313	3.82	3.85	3.86	3.87	3.88
	52°F	31107	30485	30333	30018	29748	3.74	3.77	3.78	3.79	3.80
	57°F	29552	28961	28816	28517	28260	3.67	3.70	3.71	3.71	3.73
	59°F	28075	27513	27375	27091	26847	3.60	3.62	3.63	3.64	3.65
62°F	26671	26137	26007	25737	25505	3.52	3.55	3.56	3.57	3.58	
64.4°F	25337	24830	24706	24450	24230	3.45	3.48	3.49	3.49	3.51	

36MPHP-HE-SYS Expanded Heating @ 971 CFM

CFM	HEATING PERFORMANCE AT INDOOR DRY BULB TEMPERATURE										
	OD DB (°F)	TC: Total Heating Capacity (BTU/hr)					PI: Power Input (kW)				
		Indoor Conditions (DB °F)					Indoor Conditions (DB °F)				
		60.8°F	68°F	70°F	71.6°F	75.2°F	60.8°F	68°F	70°F	71.6°F	75.2°F
971	-13°F	14380	14092	14022	13965	13840	3.03	3.05	3.06	3.06	3.08
	-10°F	15755	15440	15363	15301	15164	3.04	3.06	3.07	3.08	3.09
	-4°F	18506	18136	18045	17973	17811	3.06	3.09	3.09	3.10	3.11
	0°F	19776	19380	19283	19206	19033	3.14	3.16	3.17	3.18	3.19
	5°F	21363	20935	20831	20747	20561	3.23	3.26	3.26	3.27	3.28
	14°F	21072	20650	20547	20465	20281	3.09	3.11	3.12	3.13	3.14
	17°F	20975	20555	20453	20371	20187	3.04	3.06	3.07	3.08	3.09
	22°F	22877	22419	22307	22218	22018	3.08	3.10	3.11	3.12	3.13
	27°F	24779	24283	24162	24065	23849	3.12	3.14	3.15	3.16	3.17
	32°F	26681	26147	26017	25913	25679	3.16	3.19	3.19	3.20	3.21
	37°F	27822	27266	27129	27021	26778	3.18	3.21	3.22	3.22	3.23
	42°F	32276	31631	31473	31347	31065	3.51	3.54	3.55	3.55	3.57
	44.6°F	33549	32878	32714	32583	32290	3.61	3.63	3.64	3.65	3.66
	47°F	35458	34749	34575	34437	34127	3.86	3.89	3.90	3.91	3.92
	52°F	33685	33011	32846	32715	32420	3.78	3.81	3.82	3.83	3.84
	57°F	32001	31361	31204	31079	30799	3.71	3.74	3.74	3.75	3.77
	59°F	30401	29793	29644	29525	29259	3.63	3.66	3.67	3.68	3.69
62°F	28881	28303	28162	28049	27796	3.56	3.59	3.60	3.60	3.62	
64.4°F	27437	26888	26753	26646	26407	3.49	3.52	3.52	3.53	3.54	

36MPHP-HE-SYS Expanded Heating @ 1,083 CFM

CFM	HEATING PERFORMANCE AT INDOOR DRY BULB TEMPERATURE										
	OD DB (°F)	TC: Total Heating Capacity (BTU/hr)					PI: Power Input (kW)				
		Indoor Conditions (DB °F)					Indoor Conditions (DB °F)				
		60.8°F	68°F	70°F	71.6°F	75.2°F	60.8°F	68°F	70°F	71.6°F	75.2°F
1083	-13°F	15571	15260	15183	15123	14987	3.06	3.08	3.09	3.09	3.11
	-10°F	17061	16719	16636	16569	16420	3.07	3.09	3.10	3.11	3.12
	-4°F	20040	19639	19541	19462	19287	3.09	3.12	3.13	3.13	3.14
	0°F	21414	20986	20881	20798	20610	3.17	3.20	3.20	3.21	3.22
	5°F	23133	22670	22557	22467	22264	3.26	3.29	3.30	3.30	3.32
	14°F	22818	22361	22250	22161	21961	3.12	3.14	3.15	3.16	3.17
	17°F	22713	22259	22147	22059	21860	3.07	3.10	3.10	3.11	3.12
	22°F	24772	24277	24156	24059	23842	3.11	3.14	3.14	3.15	3.16
	27°F	26832	26295	26164	26059	25825	3.15	3.18	3.18	3.19	3.20
	32°F	28892	28314	28172	28060	27807	3.19	3.22	3.22	3.23	3.24
	37°F	30127	29525	29377	29260	28996	3.22	3.24	3.25	3.25	3.27
	42°F	34951	34252	34080	33944	33639	3.55	3.58	3.58	3.59	3.60
	44.6°F	36329	35602	35424	35283	34965	3.64	3.67	3.68	3.69	3.70
	47°F	38396	37628	37440	37290	36955	3.90	3.93	3.94	3.94	3.96
	52°F	36476	35747	35568	35426	35107	3.82	3.85	3.86	3.87	3.88
	57°F	34652	33959	33789	33654	33351	3.74	3.77	3.78	3.79	3.80
59°F	32920	32261	32100	31972	31684	3.67	3.70	3.71	3.71	3.73	
62°F	31274	30648	30495	30373	30100	3.60	3.62	3.63	3.64	3.65	
64.4°F	29710	29116	28970	28854	28595	3.52	3.55	3.56	3.57	3.58	

36MPHP-HE-SYS Expanded Heating @ 1,188 CFM

CFM	HEATING PERFORMANCE AT INDOOR DRY BULB TEMPERATURE										
	OD DB (°F)	TC: Total Heating Capacity (BTU/hr)					PI: Power Input (kW)				
		Indoor Conditions (DB °F)					Indoor Conditions (DB °F)				
		60.8°F	68°F	70°F	71.6°F	75.2°F	60.8°F	68°F	70°F	71.6°F	75.2°F
1188	-13°F	16583	16252	16170	16106	15961	3.09	3.11	3.12	3.13	3.14
	-10°F	18170	17806	17717	17646	17487	3.10	3.13	3.13	3.14	3.15
	-4°F	21342	20915	20811	20727	20541	3.13	3.15	3.16	3.16	3.18
	0°F	22806	22350	22238	22149	21950	3.20	3.23	3.23	3.24	3.25
	5°F	24636	24144	24023	23927	23712	3.30	3.32	3.33	3.34	3.35
	14°F	24301	23815	23696	23601	23389	3.15	3.18	3.18	3.19	3.20
	17°F	24189	23705	23587	23493	23281	3.10	3.13	3.13	3.14	3.15
	22°F	26383	25855	25726	25623	25392	3.14	3.17	3.17	3.18	3.19
	27°F	28576	28005	27865	27753	27503	3.18	3.21	3.22	3.22	3.23
	32°F	30770	30154	30004	29884	29615	3.22	3.25	3.26	3.26	3.28
	37°F	32086	31444	31287	31162	30881	3.25	3.27	3.28	3.29	3.30
	42°F	37223	36478	36296	36151	35825	3.58	3.61	3.62	3.63	3.64
	44.6°F	38690	37916	37727	37576	37238	3.68	3.71	3.72	3.72	3.74
	47°F	40892	40074	39874	39714	39357	3.94	3.97	3.98	3.98	4.00
	52°F	38847	38070	37880	37728	37389	3.86	3.89	3.90	3.91	3.92
	57°F	36905	36167	35986	35842	35519	3.78	3.81	3.82	3.83	3.84
	59°F	35060	34358	34187	34050	33743	3.71	3.74	3.74	3.75	3.77
62°F	33307	32640	32477	32347	32056	3.63	3.66	3.67	3.68	3.69	
64.4°F	31641	31008	30853	30730	30453	3.56	3.59	3.59	3.60	3.62	

48MPHP-HE-SYS Expanded Cooling @ 905 CFM

CFM	ODDB	ID WB(°F)	60.8°F					67.0°F					71.6°F				
		ID DB(°F)	73.4°F	77.0°F	80.0°F	80.6°F	84.2°F	73.4°F	77.0°F	80.0°F	80.6°F	84.2°F	73.4°F	77.0°F	80.0°F	80.6°F	84.2°F
905	50°F	TC	32384	32428	32463	32464	32508	36387	36435	36475	36482	36523	38580	38622	38664	38670	38718
		S/T	0.37	0.43	0.49	0.49	0.56	0.41	0.49	0.55	0.55	0.63	0.44	0.51	0.58	0.58	0.67
		PI	1.63	1.63	1.64	1.64	1.64	1.83	1.84	1.84	1.84	1.84	1.95	1.95	1.95	1.95	1.95
	59°F	TC	33172	33217	33252	33254	33299	37272	37321	37362	37369	37411	39518	39561	39604	39610	39660
		S/T	0.37	0.43	0.49	0.49	0.56	0.42	0.49	0.55	0.55	0.63	0.44	0.52	0.59	0.59	0.67
		PI	1.94	1.94	1.94	1.94	1.94	2.18	2.18	2.18	2.18	2.18	2.31	2.31	2.31	2.31	2.32
	68°F	TC	33960	34005	34042	34044	34089	38157	38207	38250	38257	38299	40457	40500	40545	40551	40601
		S/T	0.37	0.44	0.50	0.50	0.57	0.42	0.49	0.56	0.56	0.64	0.44	0.52	0.59	0.59	0.67
		PI	2.24	2.24	2.25	2.25	2.25	2.52	2.52	2.52	2.52	2.53	2.67	2.67	2.67	2.68	2.68
	77°F	TC	34747	34794	34832	34833	34880	39043	39093	39137	39144	39188	41395	41440	41485	41491	41543
		S/T	0.38	0.45	0.51	0.51	0.58	0.43	0.50	0.57	0.57	0.65	0.45	0.53	0.61	0.61	0.69
		PI	2.54	2.55	2.55	2.55	2.55	2.86	2.86	2.87	2.87	2.87	3.03	3.03	3.04	3.04	3.04
	80°F	TC	35015	35062	35100	35102	35149	39343	39395	39438	39446	39490	41714	41759	41805	41811	41863
		S/T	0.39	0.45	0.52	0.52	0.59	0.43	0.51	0.58	0.58	0.66	0.46	0.54	0.61	0.61	0.70
		PI	2.65	2.65	2.65	2.65	2.66	2.97	2.98	2.98	2.98	2.99	3.15	3.16	3.16	3.16	3.17
	86°F	TC	33447	33492	33528	33529	33574	37581	37630	37672	37679	37721	39845	39889	39932	39938	39988
		S/T	0.39	0.46	0.52	0.52	0.60	0.44	0.52	0.59	0.59	0.67	0.47	0.55	0.62	0.62	0.71
		PI	2.98	2.98	2.98	2.98	2.99	3.34	3.35	3.35	3.35	3.36	3.54	3.55	3.55	3.55	3.56
	95°F	TC	31070	31112	31145	31147	31189	34910	34956	34995	35001	35040	37014	37054	37094	37100	37146
		S/T	0.40	0.47	0.53	0.53	0.60	0.45	0.52	0.59	0.59	0.68	0.47	0.55	0.63	0.63	0.72
		PI	3.47	3.48	3.48	3.48	3.49	3.90	3.91	3.91	3.91	3.92	4.14	4.14	4.15	4.15	4.15
	104°F	TC	27896	27934	27964	27965	28003	31344	31385	31420	31426	31461	33233	33269	33305	33310	33352
		S/T	0.42	0.49	0.56	0.56	0.63	0.47	0.55	0.62	0.62	0.71	0.50	0.58	0.66	0.66	0.75
		PI	3.46	3.46	3.47	3.47	3.47	3.89	3.89	3.90	3.90	3.90	4.12	4.12	4.13	4.13	4.13
	110°F	TC	25992	26027	26055	26056	26091	29205	29243	29275	29281	29313	30964	30998	31032	31037	31075
		S/T	0.42	0.49	0.56	0.56	0.64	0.47	0.56	0.63	0.63	0.72	0.50	0.59	0.67	0.67	0.76
		PI	3.45	3.45	3.46	3.46	3.46	3.88	3.88	3.89	3.89	3.89	4.11	4.11	4.12	4.12	4.12
	115°F	TC	25248	25282	25309	25310	25344	28369	28406	28437	28442	28474	30078	30111	30143	30148	30186
		S/T	0.42	0.49	0.56	0.56	0.64	0.47	0.56	0.63	0.63	0.72	0.50	0.59	0.67	0.67	0.76
		PI	3.38	3.39	3.39	3.39	3.39	3.80	3.80	3.81	3.81	3.81	4.03	4.03	4.04	4.04	4.04
122°F	TC	21783	21812	21835	21836	21866	24475	24507	24534	24539	24566	25950	25978	26006	26010	26043	
	S/T	0.44	0.51	0.58	0.58	0.66	0.49	0.58	0.65	0.65	0.75	0.52	0.61	0.69	0.69	0.79	
	PI	3.13	3.13	3.14	3.14	3.14	3.52	3.52	3.52	3.53	3.53	3.73	3.73	3.74	3.74	3.74	

TC: Total Cooling Capacity (BTU/hr)

S/T: Sensible Cooling Capacity Ratio

PI: Power Input(kW)

48MPHP-HE-SYS Expanded Cooling @ 1,095 CFM

CFM	ODDB	ID WB(°F)	60.8°F					67.0°F					71.6°F				
		ID DB(°F)	73.4°F	77.0°F	80.0°F	80.6°F	84.2°F	73.4°F	77.0°F	80.0°F	80.6°F	84.2°F	73.4°F	77.0°F	80.0°F	80.6°F	84.2°F
1095	50°F	TC	38752	38804	38846	38848	38900	43543	43599	43648	43656	43705	46166	46216	46267	46274	46331
		S/T	0.43	0.50	0.57	0.57	0.65	0.48	0.56	0.64	0.64	0.73	0.51	0.60	0.68	0.68	0.77
		PI	1.88	1.89	1.89	1.89	1.89	2.12	2.12	2.12	2.12	2.13	2.25	2.25	2.25	2.25	2.25
	59°F	TC	39695	39748	39791	39793	39847	44602	44660	44709	44718	44768	47289	47340	47392	47399	47458
		S/T	0.43	0.50	0.57	0.57	0.65	0.48	0.57	0.64	0.64	0.73	0.51	0.60	0.68	0.68	0.78
		PI	2.24	2.24	2.24	2.24	2.24	2.51	2.52	2.52	2.52	2.52	2.66	2.67	2.67	2.67	2.67
	68°F	TC	40638	40692	40736	40738	40793	45661	45720	45771	45780	45831	48412	48465	48517	48525	48585
		S/T	0.43	0.51	0.58	0.58	0.66	0.48	0.57	0.65	0.65	0.74	0.51	0.60	0.69	0.69	0.78
		PI	2.59	2.59	2.59	2.59	2.60	2.91	2.91	2.91	2.91	2.92	3.08	3.08	3.09	3.09	3.09
	77°F	TC	41580	41636	41681	41683	41739	46720	46781	46833	46841	46894	49535	49589	49643	49650	49712
		S/T	0.44	0.52	0.59	0.59	0.67	0.50	0.58	0.66	0.66	0.76	0.53	0.62	0.70	0.70	0.80
		PI	2.94	2.94	2.94	2.94	2.95	3.30	3.30	3.31	3.31	3.31	3.50	3.50	3.51	3.51	3.51
	80°F	TC	41901	41957	42002	42004	42061	47080	47141	47194	47203	47255	49917	49971	50025	50033	50095
		S/T	0.45	0.53	0.60	0.60	0.68	0.50	0.59	0.67	0.67	0.77	0.53	0.63	0.71	0.71	0.81
		PI	3.06	3.06	3.06	3.06	3.07	3.43	3.44	3.44	3.44	3.45	3.64	3.64	3.65	3.65	3.65
	86°F	TC	40024	40077	40121	40122	40177	44971	45029	45080	45088	45138	47681	47732	47784	47792	47851
		S/T	0.45	0.53	0.61	0.61	0.69	0.51	0.60	0.68	0.68	0.78	0.54	0.64	0.72	0.72	0.82
		PI	3.44	3.44	3.44	3.44	3.45	3.86	3.86	3.87	3.87	3.87	4.09	4.10	4.10	4.10	4.11
	95°F	TC	37180	37230	37270	37271	37322	41775	41830	41876	41884	41931	44292	44340	44389	44396	44451
		S/T	0.46	0.54	0.61	0.61	0.70	0.52	0.61	0.69	0.69	0.79	0.55	0.64	0.73	0.73	0.83
		PI	4.01	4.01	4.02	4.02	4.02	4.51	4.51	4.52	4.52	4.52	4.78	4.78	4.79	4.79	4.79
	104°F	TC	33382	33427	33463	33464	33509	37508	37557	37599	37606	37648	39768	39811	39855	39861	39910
		S/T	0.48	0.57	0.64	0.64	0.73	0.54	0.64	0.72	0.72	0.83	0.58	0.68	0.77	0.77	0.87
		PI	3.99	4.00	4.00	4.00	4.01	4.49	4.49	4.50	4.50	4.50	4.76	4.76	4.77	4.77	4.77
	110°F	TC	31103	31145	31178	31180	31222	34948	34993	35032	35039	35078	37053	37094	37134	37140	37186
		S/T	0.49	0.57	0.65	0.65	0.74	0.55	0.64	0.73	0.73	0.84	0.58	0.68	0.78	0.78	0.89
		PI	3.98	3.99	3.99	3.99	4.00	4.47	4.48	4.49	4.49	4.49	4.74	4.75	4.75	4.75	4.76
	115°F	TC	30213	30253	30286	30287	30328	33947	33991	34029	34035	34073	35993	36032	36071	36077	36121
		S/T	0.49	0.57	0.65	0.65	0.74	0.55	0.64	0.73	0.73	0.84	0.58	0.68	0.78	0.78	0.89
		PI	3.90	3.91	3.91	3.91	3.92	4.39	4.39	4.40	4.40	4.40	4.65	4.65	4.66	4.66	4.67
122°F	TC	26066	26101	26129	26130	26165	29288	29326	29359	29364	29397	31053	31086	31120	31125	31164	
	S/T	0.51	0.59	0.68	0.68	0.77	0.57	0.67	0.76	0.76	0.86	0.60	0.71	0.80	0.80	0.92	
	PI	3.61	3.62	3.62	3.62	3.63	4.06	4.06	4.07	4.07	4.07	4.30	4.31	4.31	4.31	4.32	

TC:Total Cooling Capacity (BTU/hr)

S/T:Sensible Cooling Capacity Ratio

PI:Power Input(kW)

48MPHP-HE-SYS Expanded Cooling @ 1,283 CFM

CFM	ODDB	ID WB(°F)	60.8°F					67.0°F					71.6°F				
		ID DB(°F)	73.4°F	77.0°F	80.0°F	80.6°F	84.2°F	73.4°F	77.0°F	80.0°F	80.6°F	84.2°F	73.4°F	77.0°F	80.0°F	80.6°F	84.2°F
1283	50°F	TC	44956	45017	45065	45067	45128	50513	50579	50635	50645	50701	53557	53615	53673	53682	53749
		S/T	0.50	0.58	0.66	0.66	0.75	0.56	0.65	0.74	0.74	0.85	0.59	0.69	0.79	0.79	0.90
		PI	2.19	2.19	2.19	2.19	2.19	2.46	2.46	2.46	2.46	2.47	2.60	2.61	2.61	2.61	2.61
	59°F	TC	46050	46112	46161	46163	46226	51742	51809	51867	51876	51934	54859	54919	54979	54987	55056
		S/T	0.50	0.58	0.66	0.66	0.76	0.56	0.66	0.75	0.75	0.85	0.59	0.70	0.79	0.79	0.90
		PI	2.59	2.60	2.60	2.60	2.60	2.91	2.92	2.92	2.92	2.92	3.09	3.09	3.10	3.10	3.10
	68°F	TC	47143	47207	47257	47260	47323	52971	53039	53099	53108	53168	56162	56223	56284	56293	56363
		S/T	0.50	0.59	0.67	0.67	0.76	0.56	0.66	0.75	0.75	0.86	0.60	0.70	0.80	0.80	0.91
		PI	3.00	3.00	3.01	3.01	3.01	3.37	3.38	3.38	3.38	3.38	3.57	3.58	3.58	3.58	3.59
	77°F	TC	48237	48302	48354	48356	48421	54199	54270	54330	54340	54401	57465	57527	57590	57599	57671
		S/T	0.51	0.60	0.69	0.69	0.78	0.58	0.68	0.77	0.77	0.88	0.61	0.72	0.82	0.82	0.93
		PI	3.41	3.41	3.42	3.42	3.42	3.83	3.83	3.84	3.84	3.84	4.06	4.06	4.07	4.07	4.07
	80°F	TC	48609	48674	48726	48729	48794	54617	54688	54749	54759	54820	57908	57971	58034	58043	58115
		S/T	0.52	0.61	0.69	0.69	0.79	0.59	0.69	0.78	0.78	0.89	0.62	0.73	0.83	0.83	0.94
		PI	3.55	3.55	3.55	3.55	3.56	3.98	3.99	3.99	3.99	4.00	4.22	4.23	4.23	4.23	4.24
	86°F	TC	46431	46493	46543	46546	46608	52170	52238	52296	52306	52364	55314	55374	55434	55443	55512
		S/T	0.53	0.62	0.70	0.70	0.80	0.59	0.70	0.79	0.79	0.90	0.63	0.74	0.84	0.84	0.95
		PI	3.98	3.99	3.99	3.99	4.00	4.48	4.48	4.49	4.49	4.49	4.75	4.75	4.76	4.76	4.76
	95°F	TC	43132	43190	43236	43238	43296	48463	48526	48580	48589	48643	51383	51439	51495	51503	51567
		S/T	0.53	0.63	0.71	0.71	0.81	0.60	0.70	0.80	0.80	0.91	0.64	0.75	0.85	0.85	0.97
		PI	4.65	4.66	4.66	4.66	4.67	5.23	5.23	5.24	5.24	5.25	5.54	5.55	5.55	5.55	5.56
	104°F	TC	38726	38778	38820	38821	38874	43513	43569	43618	43626	43675	46134	46185	46235	46242	46300
		S/T	0.56	0.66	0.75	0.75	0.85	0.63	0.74	0.84	0.84	0.96	0.67	0.78	0.89	0.89	1.00
		PI	4.63	4.64	4.64	4.64	4.65	5.20	5.21	5.22	5.22	5.22	5.52	5.52	5.53	5.53	5.54
	110°F	TC	36082	36131	36170	36171	36220	40542	40595	40640	40648	40693	42985	43032	43079	43085	43139
		S/T	0.57	0.67	0.76	0.76	0.86	0.64	0.75	0.85	0.85	0.97	0.68	0.79	0.90	0.90	1.00
		PI	4.62	4.63	4.63	4.63	4.64	5.19	5.20	5.20	5.20	5.21	5.50	5.51	5.52	5.52	5.52
	115°F	TC	35049	35096	35134	35136	35183	39382	39433	39477	39484	39528	41755	41800	41845	41852	41904
		S/T	0.57	0.67	0.76	0.76	0.86	0.64	0.75	0.85	0.85	0.97	0.68	0.79	0.90	0.90	1.00
		PI	4.53	4.53	4.54	4.54	4.55	5.09	5.09	5.10	5.10	5.11	5.39	5.40	5.41	5.41	5.41
122°F	TC	30239	30279	30312	30313	30354	33977	34021	34059	34065	34103	36024	36063	36102	36108	36153	
	S/T	0.59	0.69	0.78	0.78	0.89	0.66	0.77	0.88	0.88	1.00	0.70	0.82	0.93	0.93	1.00	
	PI	4.19	4.20	4.20	4.20	4.21	4.71	4.71	4.72	4.72	4.73	4.99	5.00	5.00	5.00	5.01	

TC:Total Cooling Capacity (BTU/hr)

S/T:Sensible Cooling Capacity Ratio

PI:Power Input(kW)

48MPHP-HE-SYS Expanded Cooling @ 1,470 CFM

CFM	ODDB	ID WB(°F)	60.8°F					67.0°F					71.6°F				
		ID DB(°F)	73.4°F	77.0°F	80.0°F	80.6°F	84.2°F	73.4°F	77.0°F	80.0°F	80.6°F	84.2°F	73.4°F	77.0°F	80.0°F	80.6°F	84.2°F
1470	50°F	TC	50999	51067	51122	51125	51193	57303	57377	57441	57452	57516	60755	60821	60887	60897	60973
		S/T	0.56	0.66	0.75	0.75	0.85	0.63	0.74	0.84	0.84	0.96	0.67	0.79	0.89	0.89	1.00
		PI	2.48	2.48	2.49	2.49	2.49	2.79	2.79	2.79	2.79	2.80	2.95	2.96	2.96	2.96	2.97
	59°F	TC	52239	52309	52366	52368	52439	58696	58773	58838	58849	58915	62233	62301	62368	62378	62456
		S/T	0.57	0.66	0.75	0.75	0.86	0.63	0.74	0.85	0.85	0.97	0.67	0.79	0.90	0.90	1.00
		PI	2.94	2.95	2.95	2.95	2.95	3.31	3.31	3.31	3.31	3.32	3.50	3.51	3.51	3.51	3.52
	68°F	TC	53480	53552	53609	53612	53684	60090	60168	60235	60247	60314	63711	63780	63850	63859	63939
		S/T	0.57	0.67	0.76	0.76	0.86	0.64	0.75	0.85	0.85	0.97	0.68	0.79	0.90	0.90	1.00
		PI	3.40	3.41	3.41	3.41	3.42	3.82	3.83	3.83	3.83	3.84	4.05	4.06	4.06	4.06	4.07
	77°F	TC	54720	54794	54853	54855	54929	61484	61564	61633	61644	61713	65189	65260	65331	65341	65422
		S/T	0.58	0.68	0.78	0.78	0.89	0.66	0.77	0.87	0.87	1.00	0.69	0.81	0.93	0.93	1.00
		PI	3.86	3.87	3.87	3.87	3.88	4.34	4.35	4.35	4.35	4.36	4.60	4.61	4.61	4.61	4.62
	80°F	TC	55142	55216	55276	55278	55353	61958	62039	62108	62119	62189	65691	65763	65834	65844	65926
		S/T	0.59	0.69	0.79	0.79	0.90	0.66	0.78	0.88	0.88	1.00	0.70	0.83	0.94	0.94	1.00
		PI	4.02	4.03	4.03	4.03	4.04	4.52	4.52	4.53	4.53	4.54	4.79	4.80	4.80	4.80	4.81
	86°F	TC	52672	52742	52799	52802	52873	59182	59259	59325	59336	59403	62748	62816	62885	62895	62973
		S/T	0.60	0.70	0.80	0.80	0.91	0.67	0.79	0.90	0.90	1.00	0.71	0.84	0.95	0.95	1.00
		PI	4.52	4.53	4.53	4.53	4.54	5.08	5.09	5.09	5.09	5.10	5.39	5.39	5.40	5.40	5.40
	95°F	TC	48929	48995	49047	49050	49116	54977	55048	55110	55120	55181	58289	58353	58416	58425	58498
		S/T	0.61	0.71	0.81	0.81	0.92	0.68	0.80	0.91	0.91	1.00	0.72	0.85	0.96	0.96	1.00
		PI	5.28	5.28	5.29	5.29	5.30	5.93	5.94	5.94	5.94	5.95	6.29	6.29	6.30	6.30	6.31
	104°F	TC	43931	43990	44037	44039	44099	49361	49425	49480	49489	49545	52335	52392	52449	52457	52523
		S/T	0.64	0.75	0.85	0.85	0.97	0.71	0.84	0.95	0.95	1.00	0.75	0.88	1.00	1.00	1.00
		PI	5.25	5.26	5.27	5.27	5.27	5.90	5.91	5.92	5.92	5.93	6.26	6.27	6.27	6.27	6.28
	110°F	TC	40932	40987	41031	41033	41088	45992	46051	46103	46111	46163	48763	48816	48869	48876	48937
		S/T	0.64	0.76	0.86	0.86	0.98	0.72	0.85	0.96	0.96	1.00	0.75	0.88	1.00	1.00	1.00
		PI	5.24	5.25	5.25	5.25	5.26	5.89	5.90	5.90	5.90	5.91	6.24	6.25	6.26	6.26	6.27
	115°F	TC	39760	39814	39857	39858	39912	44675	44733	44783	44791	44841	47367	47418	47470	47477	47536
		S/T	0.64	0.76	0.86	0.86	0.98	0.72	0.85	0.96	0.96	1.00	0.75	0.88	1.00	1.00	1.00
		PI	5.14	5.14	5.15	5.15	5.16	5.77	5.78	5.79	5.79	5.79	6.12	6.13	6.13	6.13	6.14
122°F	TC	34303	34349	34386	34388	34434	38543	38593	38636	38644	38687	40866	40910	40955	40961	41012	
	S/T	0.67	0.78	0.89	0.89	1.00	0.75	0.88	1.00	1.00	1.00	0.75	0.88	1.00	1.00	1.00	
	PI	4.75	4.76	4.77	4.77	4.77	5.34	5.35	5.35	5.36	5.36	5.66	5.67	5.68	5.68	5.68	

TC:Total Cooling Capacity (BTU/hr)

S/T:Sensible Cooling Capacity Ratio

PI:Power Input(kW)

48MPHP-HE-SYS Expanded Heating @ 906 CFM

CFM	HEATING PERFORMANCE AT INDOOR DRY BULB TEMPERATURE										
	OD DB (°F)	TC: Total Heating Capacity (BTU/hr)					PI: Power Input (kW)				
		Indoor Conditions (DB °F)					Indoor Conditions (DB °F)				
		60.8°F	68°F	70°F	71.6°F	75.2°F	60.8°F	68°F	70°F	71.6°F	75.2°F
906	-13°F	16467	16138	16057	15505	15365	4.35	4.39	4.40	4.41	4.42
	-10°F	17738	17384	17297	16701	16551	4.41	4.45	4.45	4.46	4.48
	-4°F	20280	19875	19775	19094	18923	4.52	4.56	4.57	4.58	4.60
	0°F	22445	21996	21886	21132	20942	4.63	4.67	4.68	4.69	4.71
	5°F	25150	24647	24524	23680	23466	4.77	4.81	4.82	4.83	4.85
	14°F	28805	28228	28087	27120	26876	5.01	5.05	5.06	5.07	5.09
	17°F	30023	29422	29275	28267	28013	5.09	5.13	5.14	5.15	5.18
	22°F	31070	30448	30296	29253	28990	4.99	5.04	5.05	5.06	5.08
	27°F	32117	31474	31317	30239	29967	4.90	4.94	4.95	4.96	4.98
	32°F	33164	32501	32338	31225	30944	4.80	4.84	4.85	4.86	4.88
	37°F	33792	33116	32951	31816	31530	4.74	4.78	4.79	4.80	4.82
	42°F	42198	41354	41147	39731	39373	5.06	5.11	5.12	5.13	5.15
	44.6°F	44599	43707	43489	41992	41614	5.16	5.20	5.21	5.22	5.24
	47°F	48202	47238	47002	45384	44975	5.41	5.45	5.46	5.48	5.50
	52°F	45792	44876	44651	43114	42726	5.30	5.34	5.35	5.37	5.39
	57°F	43502	42632	42419	40959	40590	5.20	5.24	5.25	5.26	5.28
	59°F	41327	40500	40298	38911	38561	5.09	5.13	5.14	5.15	5.17
62°F	39261	38475	38283	36965	36632	4.99	5.03	5.04	5.05	5.07	
64.4°F	37298	36552	36369	35117	34801	4.89	4.93	4.94	4.95	4.97	

48MPHP-HE-SYS Expanded Heating @ 1,095 CFM

CFM	HEATING PERFORMANCE AT INDOOR DRY BULB TEMPERATURE										
	OD DB (°F)	TC: Total Heating Capacity (BTU/hr)					PI: Power Input (kW)				
		Indoor Conditions (DB °F)					Indoor Conditions (DB °F)				
		60.8°F	68°F	70°F	71.6°F	75.2°F	60.8°F	68°F	70°F	71.6°F	75.2°F
1095	-13°F	18733	18358	18266	18193	18030	4.40	4.43	4.44	4.45	4.47
	-10°F	20178	19775	19676	19597	19421	4.45	4.49	4.50	4.51	4.53
	-4°F	23070	22609	22495	22405	22204	4.57	4.61	4.61	4.62	4.64
	0°F	25532	25021	24896	24797	24574	4.68	4.72	4.73	4.74	4.76
	5°F	28610	28038	27897	27786	27536	4.82	4.86	4.87	4.88	4.90
	14°F	32767	32112	31951	31823	31537	5.06	5.10	5.11	5.12	5.15
	17°F	34153	33470	33302	33169	32871	5.14	5.19	5.20	5.21	5.23
	22°F	35344	34637	34464	34326	34017	5.05	5.09	5.10	5.11	5.13
	27°F	36535	35804	35625	35483	35163	4.95	4.99	5.00	5.01	5.03
	32°F	37726	36971	36787	36639	36310	4.85	4.89	4.90	4.91	4.92
	37°F	38441	37672	37483	37334	36998	4.79	4.83	4.84	4.84	4.86
	42°F	48003	47043	46807	46620	46201	5.12	5.16	5.17	5.18	5.20
	44.6°F	50735	49720	49471	49273	48830	5.21	5.25	5.26	5.27	5.29
	47°F	54833	53736	53467	53253	52774	5.46	5.51	5.52	5.53	5.55
	52°F	52091	51049	50794	50591	50135	5.35	5.40	5.41	5.42	5.44
	57°F	49486	48497	48254	48061	47629	5.25	5.29	5.30	5.31	5.33
	59°F	47012	46072	45841	45658	45247	5.14	5.18	5.19	5.21	5.23
62°F	44661	43768	43549	43375	42985	5.04	5.08	5.09	5.10	5.12	
64.4°F	42428	41580	41372	41206	40836	4.94	4.98	4.99	5.00	5.02	

48MPHP-HE-SYS Expanded Heating @ 1,283 CFM

CFM	HEATING PERFORMANCE AT INDOOR DRY BULB TEMPERATURE										
	OD DB (°F)	TC: Total Heating Capacity (BTU/hr)					PI: Power Input (kW)				
		Indoor Conditions (DB °F)					Indoor Conditions (DB °F)				
		60.8°F	68°F	70°F	71.6°F	75.2°F	60.8°F	68°F	70°F	71.6°F	75.2°F
1283	-13°F	21310	20883	20779	20696	20510	4.44	4.48	4.49	4.50	4.51
	-10°F	22954	22495	22383	22293	22093	4.50	4.54	4.55	4.55	4.57
	-4°F	26243	25719	25590	25488	25258	4.61	4.65	4.66	4.67	4.69
	0°F	29044	28463	28321	28208	27954	4.73	4.77	4.77	4.78	4.80
	5°F	32545	31894	31735	31608	31324	4.87	4.91	4.92	4.93	4.95
	14°F	37274	36529	36346	36201	35875	5.11	5.16	5.17	5.18	5.20
	17°F	38851	38074	37883	37732	37392	5.20	5.24	5.25	5.26	5.28
	22°F	40206	39402	39205	39048	38696	5.10	5.14	5.15	5.16	5.18
	27°F	41561	40729	40526	40364	40000	5.00	5.04	5.05	5.06	5.08
	32°F	42916	42057	41847	41680	41305	4.90	4.93	4.94	4.95	4.97
	37°F	43729	42854	42640	42469	42087	4.84	4.87	4.88	4.89	4.91
	42°F	54606	53514	53246	53033	52556	5.17	5.21	5.22	5.23	5.25
	44.6°F	57714	56559	56277	56052	55547	5.26	5.31	5.32	5.33	5.35
	47°F	62375	61128	60822	60579	60034	5.52	5.56	5.58	5.59	5.61
	52°F	59257	58072	57781	57550	57032	5.41	5.45	5.46	5.47	5.50
	57°F	56294	55168	54892	54673	54181	5.30	5.34	5.35	5.36	5.39
59°F	53479	52410	52148	51939	51471	5.19	5.24	5.25	5.26	5.28	
62°F	50805	49789	49540	49342	48898	5.09	5.13	5.14	5.15	5.17	
64.4°F	48265	47300	47063	46875	46453	4.99	5.03	5.04	5.05	5.07	

48MPHP-HE-SYS Expanded Heating @ 1,470 CFM

CFM	HEATING PERFORMANCE AT INDOOR DRY BULB TEMPERATURE										
	OD DB (°F)	TC: Total Heating Capacity (BTU/hr)					PI: Power Input (kW)				
		Indoor Conditions (DB °F)					Indoor Conditions (DB °F)				
		60.8°F	68°F	70°F	71.6°F	75.2°F	60.8°F	68°F	70°F	71.6°F	75.2°F
1470	-13°F	23704	23230	23114	23022	22815	4.49	4.52	4.53	4.54	4.56
	-10°F	25534	25023	24898	24799	24575	4.55	4.58	4.59	4.60	4.62
	-4°F	29193	28609	28466	28352	28097	4.66	4.70	4.71	4.72	4.74
	0°F	32308	31662	31504	31378	31095	4.77	4.81	4.82	4.83	4.85
	5°F	36203	35479	35301	35160	34844	4.92	4.96	4.97	4.98	5.00
	14°F	41463	40634	40431	40269	39907	5.17	5.21	5.22	5.23	5.25
	17°F	43217	42353	42141	41972	41594	5.25	5.29	5.30	5.31	5.33
	22°F	44724	43830	43610	43436	43045	5.15	5.19	5.20	5.21	5.23
	27°F	46231	45307	45080	44900	44496	5.05	5.09	5.10	5.11	5.13
	32°F	47739	46784	46550	46364	45946	4.94	4.98	4.99	5.00	5.02
	37°F	48643	47670	47432	47242	46817	4.88	4.92	4.93	4.94	4.96
	42°F	60743	59528	59230	58993	58462	5.22	5.26	5.27	5.28	5.30
	44.6°F	64200	62916	62601	62351	61790	5.32	5.36	5.37	5.38	5.40
	47°F	69385	67998	67658	67387	66780	5.58	5.62	5.63	5.64	5.67
	52°F	65916	64598	64275	64018	63441	5.46	5.51	5.52	5.53	5.55
	57°F	62620	61368	61061	60817	60269	5.35	5.40	5.41	5.42	5.44
	59°F	59489	58299	58008	57776	57256	5.25	5.29	5.30	5.31	5.33
62°F	56515	55384	55108	54887	54393	5.14	5.18	5.19	5.20	5.23	
64.4°F	53689	52615	52352	52143	51673	5.04	5.08	5.09	5.10	5.12	

60MPHP-HE-SYS Expanded Cooling @ 1,136 CFM

CFM	ODDB	ID WB(°F)	60.8°F					67.0°F					71.6°F				
		ID DB(°F)	73.4°F	77.0°F	80.0°F	80.6°F	84.2°F	73.4°F	77.0°F	80.0°F	80.6°F	84.2°F	73.4°F	77.0°F	80.0°F	80.6°F	84.2°F
1136	50°F	TC	37250	37300	37341	37342	37393	41855	41909	41956	41964	42010	44377	44425	44473	44480	44535
		S/T	0.37	0.44	0.50	0.50	0.57	0.42	0.49	0.56	0.56	0.64	0.44	0.52	0.59	0.59	0.68
		PI	1.80	1.80	1.80	1.80	1.81	2.02	2.02	2.03	2.03	2.03	2.14	2.15	2.15	2.15	2.15
	59°F	TC	39316	39368	39411	39413	39466	44175	44233	44282	44290	44340	46837	46888	46939	46946	47005
		S/T	0.38	0.44	0.50	0.50	0.57	0.42	0.49	0.56	0.56	0.64	0.45	0.52	0.60	0.60	0.68
		PI	2.29	2.29	2.30	2.30	2.30	2.57	2.58	2.58	2.58	2.58	2.73	2.73	2.73	2.73	2.74
	68°F	TC	41381	41436	41481	41483	41539	46496	46556	46608	46617	46669	49297	49351	49405	49412	49474
		S/T	0.38	0.44	0.50	0.50	0.57	0.42	0.50	0.56	0.56	0.64	0.45	0.53	0.60	0.60	0.68
		PI	2.78	2.78	2.79	2.79	2.79	3.12	3.13	3.13	3.13	3.14	3.31	3.32	3.32	3.32	3.32
	77°F	TC	43446	43505	43551	43553	43612	48816	48880	48934	48943	48998	51758	51814	51870	51878	51943
		S/T	0.39	0.45	0.52	0.52	0.59	0.43	0.51	0.58	0.58	0.66	0.46	0.54	0.61	0.61	0.70
		PI	3.27	3.28	3.28	3.28	3.28	3.68	3.68	3.68	3.68	3.69	3.90	3.90	3.91	3.91	3.91
	80°F	TC	44148	44208	44255	44257	44317	49605	49670	49725	49734	49790	52594	52651	52709	52717	52783
		S/T	0.39	0.46	0.52	0.52	0.60	0.44	0.52	0.59	0.59	0.67	0.47	0.55	0.62	0.62	0.71
		PI	3.44	3.44	3.45	3.45	3.45	3.86	3.87	3.87	3.87	3.88	4.10	4.10	4.10	4.10	4.11
	86°F	TC	41449	41505	41550	41552	41608	46573	46633	46685	46694	46746	49379	49433	49487	49494	49556
		S/T	0.40	0.47	0.53	0.53	0.60	0.45	0.52	0.59	0.59	0.68	0.47	0.55	0.63	0.63	0.72
		PI	3.73	3.73	3.73	3.74	3.74	4.19	4.19	4.20	4.20	4.20	4.44	4.44	4.45	4.45	4.45
	95°F	TC	37360	37410	37451	37452	37503	41978	42033	42080	42087	42134	44508	44556	44604	44611	44667
		S/T	0.40	0.47	0.54	0.54	0.61	0.45	0.53	0.60	0.60	0.69	0.48	0.56	0.64	0.64	0.73
		PI	4.16	4.17	4.17	4.17	4.18	4.68	4.68	4.69	4.69	4.69	4.96	4.96	4.97	4.97	4.98
	104°F	TC	33572	33617	33654	33655	33700	37722	37771	37813	37820	37862	39995	40038	40082	40088	40138
		S/T	0.42	0.50	0.56	0.56	0.64	0.47	0.56	0.63	0.63	0.72	0.50	0.59	0.67	0.67	0.76
		PI	2.82	2.82	2.82	2.82	2.83	3.17	3.17	3.17	3.17	3.18	3.36	3.36	3.36	3.36	3.37
	110°F	TC	31299	31342	31375	31377	31419	35168	35214	35253	35260	35299	37287	37328	37368	37374	37421
		S/T	0.43	0.50	0.57	0.57	0.65	0.48	0.56	0.64	0.64	0.73	0.51	0.60	0.68	0.68	0.77
		PI	2.01	2.01	2.01	2.01	2.02	2.26	2.26	2.26	2.26	2.27	2.39	2.40	2.40	2.40	2.40
	115°F	TC	28760	28799	28830	28831	28870	32315	32357	32393	32399	32436	34262	34300	34337	34342	34385
		S/T	0.43	0.50	0.57	0.57	0.65	0.48	0.56	0.64	0.64	0.73	0.51	0.60	0.68	0.68	0.77
		PI	3.88	3.89	3.89	3.89	3.90	4.36	4.37	4.37	4.37	4.38	4.63	4.63	4.64	4.64	4.64
	122°F	TC	23580	23612	23637	23638	23670	26495	26529	26559	26564	26593	28091	28121	28152	28156	28192
		S/T	0.44	0.52	0.59	0.59	0.67	0.50	0.58	0.66	0.66	0.76	0.53	0.62	0.70	0.70	0.80
		PI	3.39	3.39	3.40	3.40	3.40	3.81	3.81	3.82	3.82	3.82	4.04	4.04	4.05	4.05	4.05

TC:Total Cooling Capacity (BTU/hr)

S/T:Sensible Cooling Capacity Ratio

PI:Power Input(kW)

60MPHP-HE-SYS Expanded Cooling @ 1,360 CFM

CFM	ODDB	ID WB(°F)	60.8°F					67.0°F					71.6°F				
		ID DB(°F)	73.4°F	77.0°F	80.0°F	80.6°F	84.2°F	73.4°F	77.0°F	80.0°F	80.6°F	84.2°F	73.4°F	77.0°F	80.0°F	80.6°F	84.2°F
1360	50°F	TC	44154	44213	44261	44263	44323	49612	49676	49731	49741	49796	52601	52658	52715	52724	52789
		S/T	0.43	0.50	0.57	0.57	0.65	0.48	0.57	0.64	0.64	0.73	0.51	0.60	0.68	0.68	0.78
		PI	2.06	2.07	2.07	2.07	2.07	2.32	2.32	2.32	2.32	2.33	2.46	2.46	2.46	2.46	2.47
	59°F	TC	46602	46665	46715	46717	46780	52362	52430	52489	52499	52557	55517	55578	55638	55647	55716
		S/T	0.43	0.51	0.58	0.58	0.66	0.49	0.57	0.65	0.65	0.74	0.51	0.60	0.69	0.69	0.78
		PI	2.63	2.63	2.63	2.63	2.64	2.95	2.95	2.96	2.96	2.96	3.13	3.13	3.14	3.14	3.14
	68°F	TC	49050	49116	49169	49171	49237	55113	55185	55246	55256	55318	58434	58497	58561	58570	58643
		S/T	0.43	0.51	0.58	0.58	0.66	0.49	0.57	0.65	0.65	0.74	0.52	0.61	0.69	0.69	0.79
		PI	3.19	3.19	3.20	3.20	3.20	3.58	3.59	3.59	3.59	3.60	3.80	3.80	3.81	3.81	3.81
	77°F	TC	51498	51567	51623	51625	51695	57864	57939	58003	58014	58079	61350	61417	61484	61493	61570
		S/T	0.45	0.52	0.59	0.59	0.68	0.50	0.59	0.67	0.67	0.76	0.53	0.62	0.71	0.71	0.81
		PI	3.75	3.76	3.76	3.76	3.77	4.21	4.22	4.22	4.23	4.23	4.47	4.47	4.48	4.48	4.48
	80°F	TC	52330	52401	52457	52459	52530	58799	58875	58941	58952	59018	62342	62409	62477	62487	62565
		S/T	0.45	0.53	0.60	0.60	0.69	0.51	0.60	0.68	0.68	0.77	0.54	0.63	0.72	0.72	0.82
		PI	3.94	3.95	3.95	3.95	3.96	4.43	4.44	4.44	4.44	4.45	4.70	4.70	4.71	4.71	4.71
	86°F	TC	49131	49197	49250	49252	49319	55204	55276	55338	55348	55410	58530	58594	58658	58667	58740
		S/T	0.46	0.54	0.61	0.61	0.70	0.51	0.60	0.69	0.69	0.78	0.54	0.64	0.73	0.73	0.83
		PI	4.27	4.28	4.28	4.28	4.29	4.80	4.81	4.81	4.81	4.82	5.09	5.10	5.10	5.10	5.11
	95°F	TC	44284	44344	44391	44393	44453	49758	49823	49878	49887	49943	52756	52813	52871	52879	52945
		S/T	0.46	0.54	0.62	0.62	0.70	0.52	0.61	0.69	0.69	0.79	0.55	0.65	0.74	0.74	0.84
		PI	4.77	4.78	4.78	4.79	4.79	5.36	5.37	5.38	5.38	5.38	5.69	5.69	5.70	5.70	5.71
	104°F	TC	39794	39848	39891	39892	39946	44713	44771	44821	44829	44879	47407	47459	47510	47518	47577
		S/T	0.49	0.57	0.65	0.65	0.74	0.55	0.64	0.73	0.73	0.83	0.58	0.68	0.77	0.77	0.88
		PI	3.23	3.24	3.24	3.24	3.24	3.63	3.63	3.64	3.64	3.64	3.85	3.85	3.86	3.86	3.86
	110°F	TC	37100	37150	37190	37192	37242	41686	41740	41787	41795	41841	44198	44246	44294	44301	44356
		S/T	0.49	0.58	0.66	0.66	0.75	0.55	0.65	0.74	0.74	0.84	0.59	0.69	0.78	0.78	0.89
		PI	2.31	2.31	2.31	2.31	2.31	2.59	2.59	2.60	2.60	2.60	2.75	2.75	2.75	2.75	2.76
	115°F	TC	34090	34136	34173	34175	34221	38304	38354	38397	38404	38447	40612	40656	40701	40707	40758
		S/T	0.49	0.58	0.66	0.66	0.75	0.55	0.65	0.74	0.74	0.84	0.59	0.69	0.78	0.78	0.89
		PI	4.45	4.46	4.46	4.46	4.47	5.00	5.01	5.02	5.02	5.02	5.30	5.31	5.32	5.32	5.32
122°F	TC	27950	27988	28018	28019	28057	31405	31446	31481	31487	31522	33297	33333	33370	33375	33416	
	S/T	0.51	0.60	0.68	0.68	0.77	0.57	0.67	0.76	0.76	0.87	0.61	0.71	0.81	0.81	0.92	
	PI	3.89	3.89	3.90	3.90	3.90	4.37	4.37	4.38	4.38	4.38	4.63	4.64	4.64	4.64	4.65	

TC:Total Cooling Capacity (BTU/hr)

S/T:Sensible Cooling Capacity Ratio

PI:Power Input(kW)

60MPHP-HE-SYS Expanded Cooling @ 1,583 CFM

CFM	ODDB	ID WB(°F)	60.8°F					67.0°F					71.6°F				
		ID DB(°F)	73.4°F	77.0°F	80.0°F	80.6°F	84.2°F	73.4°F	77.0°F	80.0°F	80.6°F	84.2°F	73.4°F	77.0°F	80.0°F	80.6°F	84.2°F
1583	50°F	TC	50885	50953	51008	51011	51079	57175	57249	57313	57323	57387	60620	60686	60752	60761	60837
		S/T	0.50	0.58	0.66	0.66	0.75	0.56	0.65	0.74	0.74	0.85	0.59	0.69	0.79	0.79	0.90
		PI	2.38	2.38	2.38	2.38	2.39	2.67	2.68	2.68	2.68	2.68	2.83	2.84	2.84	2.84	2.84
	59°F	TC	53706	53778	53836	53839	53911	60345	60423	60490	60502	60569	63981	64050	64120	64130	64210
		S/T	0.50	0.58	0.66	0.66	0.76	0.56	0.66	0.75	0.75	0.85	0.59	0.70	0.79	0.79	0.90
		PI	3.03	3.03	3.03	3.03	3.04	3.40	3.40	3.41	3.41	3.41	3.61	3.61	3.61	3.61	3.62
	68°F	TC	56527	56603	56664	56667	56743	63515	63597	63668	63680	63751	67342	67415	67488	67499	67583
		S/T	0.50	0.59	0.67	0.67	0.76	0.56	0.66	0.75	0.75	0.86	0.60	0.70	0.80	0.80	0.91
		PI	3.67	3.68	3.68	3.68	3.69	4.13	4.13	4.14	4.14	4.14	4.38	4.38	4.39	4.39	4.39
	77°F	TC	59349	59428	59492	59495	59575	66685	66771	66846	66858	66933	70703	70779	70856	70867	70956
		S/T	0.51	0.60	0.69	0.69	0.78	0.58	0.68	0.77	0.77	0.88	0.61	0.72	0.82	0.82	0.93
		PI	4.32	4.33	4.33	4.33	4.34	4.86	4.86	4.87	4.87	4.88	5.15	5.16	5.16	5.16	5.17
	80°F	TC	60308	60389	60454	60457	60538	67762	67850	67926	67939	68015	71845	71923	72002	72013	72103
		S/T	0.52	0.61	0.69	0.69	0.79	0.59	0.69	0.78	0.78	0.89	0.62	0.73	0.83	0.83	0.94
		PI	4.54	4.55	4.55	4.55	4.56	5.10	5.11	5.12	5.12	5.12	5.41	5.42	5.42	5.42	5.43
	86°F	TC	56621	56697	56758	56761	56837	63620	63703	63774	63785	63857	67453	67527	67600	67611	67695
		S/T	0.53	0.62	0.70	0.70	0.80	0.59	0.70	0.79	0.79	0.90	0.63	0.74	0.84	0.84	0.95
		PI	4.92	4.93	4.94	4.94	4.94	5.53	5.54	5.55	5.55	5.55	5.87	5.87	5.88	5.88	5.89
	95°F	TC	51035	51104	51159	51161	51230	57343	57418	57482	57493	57557	60799	60865	60931	60940	61016
		S/T	0.53	0.63	0.71	0.71	0.81	0.60	0.70	0.80	0.80	0.91	0.64	0.75	0.85	0.85	0.97
		PI	5.50	5.51	5.51	5.51	5.52	6.18	6.19	6.20	6.20	6.20	6.55	6.56	6.57	6.57	6.58
	104°F	TC	45861	45922	45972	45974	46036	51529	51596	51654	51663	51721	54634	54694	54753	54762	54830
		S/T	0.56	0.66	0.75	0.75	0.85	0.63	0.74	0.84	0.84	0.96	0.67	0.78	0.89	0.89	1.00
		PI	3.72	3.73	3.73	3.73	3.74	4.18	4.19	4.19	4.19	4.20	4.44	4.44	4.45	4.45	4.45
	110°F	TC	42756	42813	42860	42861	42919	48041	48103	48157	48166	48220	50936	50991	51046	51054	51118
		S/T	0.57	0.67	0.76	0.76	0.86	0.64	0.75	0.85	0.85	0.97	0.68	0.79	0.90	0.90	1.00
		PI	2.66	2.66	2.66	2.66	2.67	2.98	2.99	2.99	2.99	3.00	3.16	3.17	3.17	3.17	3.18
	115°F	TC	39287	39340	39383	39384	39437	44144	44201	44250	44258	44308	46803	46854	46905	46913	46971
		S/T	0.57	0.67	0.76	0.76	0.86	0.64	0.75	0.85	0.85	0.97	0.68	0.79	0.90	0.90	1.00
		PI	5.13	5.14	5.14	5.14	5.15	5.77	5.77	5.78	5.78	5.79	6.11	6.12	6.13	6.13	6.14
122°F	TC	32211	32254	32289	32290	32334	36192	36239	36280	36287	36327	38373	38415	38457	38463	38510	
	S/T	0.59	0.69	0.78	0.78	0.89	0.66	0.77	0.88	0.88	1.00	0.70	0.82	0.93	0.93	1.00	
	PI	4.48	4.49	4.49	4.49	4.50	5.03	5.04	5.05	5.05	5.05	5.34	5.34	5.35	5.35	5.36	

TC:Total Cooling Capacity (BTU/hr)

S/T:Sensible Cooling Capacity Ratio

PI:Power Input(kW)

60MPHP-HE-SYS Expanded Cooling @ 1,805 CFM

CFM	ODDB	ID WB(°F)	60.8°F					67.0°F					71.6°F				
		ID DB(°F)	73.4°F	77.0°F	80.0°F	80.6°F	84.2°F	73.4°F	77.0°F	80.0°F	80.6°F	84.2°F	73.4°F	77.0°F	80.0°F	80.6°F	84.2°F
1805	50°F	TC	57447	57524	57586	57588	57666	64547	64631	64703	64715	64788	68437	68511	68586	68596	68682
		S/T	0.56	0.66	0.75	0.75	0.85	0.63	0.74	0.84	0.84	0.96	0.67	0.78	0.89	0.89	1.00
		PI	2.68	2.69	2.69	2.69	2.69	3.02	3.02	3.02	3.02	3.03	3.20	3.20	3.21	3.21	3.21
	59°F	TC	60632	60713	60779	60781	60863	68126	68215	68291	68303	68380	72231	72309	72388	72399	72490
		S/T	0.56	0.66	0.75	0.75	0.85	0.63	0.74	0.84	0.84	0.96	0.67	0.79	0.89	0.89	1.00
		PI	3.42	3.42	3.42	3.42	3.43	3.84	3.84	3.85	3.85	3.85	4.07	4.07	4.08	4.08	4.08
	68°F	TC	63817	63902	63971	63974	64060	71705	71798	71878	71891	71972	76025	76108	76191	76203	76298
		S/T	0.57	0.66	0.75	0.75	0.86	0.64	0.75	0.85	0.85	0.97	0.67	0.79	0.90	0.90	1.00
		PI	4.15	4.15	4.16	4.16	4.16	4.66	4.67	4.67	4.67	4.68	4.94	4.95	4.95	4.95	4.96
	77°F	TC	67002	67092	67164	67167	67258	75284	75381	75465	75480	75564	79820	79906	79993	80006	80106
		S/T	0.58	0.68	0.77	0.77	0.88	0.65	0.76	0.87	0.87	0.99	0.69	0.81	0.92	0.92	1.00
		PI	4.88	4.89	4.89	4.89	4.90	5.48	5.49	5.50	5.50	5.50	5.81	5.82	5.83	5.83	5.83
	80°F	TC	68085	68176	68250	68253	68345	76500	76600	76685	76699	76785	81110	81198	81286	81299	81400
		S/T	0.59	0.69	0.78	0.78	0.89	0.66	0.77	0.88	0.88	1.00	0.70	0.82	0.93	0.93	1.00
		PI	5.13	5.14	5.14	5.14	5.15	5.76	5.77	5.78	5.78	5.78	6.11	6.12	6.12	6.12	6.13
	86°F	TC	63922	64008	64077	64080	64167	71824	71917	71997	72011	72091	76151	76234	76317	76329	76424
		S/T	0.60	0.70	0.79	0.79	0.90	0.67	0.78	0.89	0.89	1.00	0.71	0.83	0.95	0.95	1.00
		PI	5.56	5.57	5.57	5.57	5.58	6.25	6.25	6.26	6.26	6.27	6.62	6.63	6.64	6.64	6.65
	95°F	TC	57616	57694	57756	57758	57836	64738	64822	64894	64906	64979	68639	68713	68788	68799	68884
		S/T	0.60	0.71	0.80	0.80	0.92	0.68	0.79	0.90	0.90	1.00	0.72	0.84	0.96	0.96	1.00
		PI	6.21	6.22	6.23	6.23	6.23	6.98	6.99	6.99	7.00	7.00	7.40	7.41	7.41	7.42	7.43
	104°F	TC	51774	51844	51900	51902	51972	58174	58250	58315	58325	58391	61679	61746	61814	61823	61900
		S/T	0.63	0.74	0.84	0.84	0.96	0.71	0.83	0.95	0.95	1.00	0.75	0.88	1.00	1.00	1.00
		PI	4.20	4.21	4.21	4.21	4.22	4.72	4.73	4.73	4.74	4.74	5.01	5.01	5.02	5.02	5.03
	110°F	TC	48269	48334	48386	48388	48454	54236	54306	54367	54377	54438	57504	57566	57629	57638	57710
		S/T	0.64	0.75	0.85	0.85	0.97	0.72	0.84	0.96	0.96	1.00	0.75	0.88	1.00	1.00	1.00
		PI	3.00	3.00	3.01	3.01	3.01	3.37	3.37	3.38	3.38	3.38	3.57	3.58	3.58	3.58	3.59
	115°F	TC	44353	44413	44461	44463	44523	49836	49901	49956	49966	50021	52839	52896	52954	52962	53028
		S/T	0.64	0.75	0.85	0.85	0.97	0.72	0.84	0.96	0.96	1.00	0.75	0.88	1.00	1.00	1.00
		PI	5.79	5.80	5.81	5.81	5.82	6.51	6.52	6.53	6.53	6.53	6.90	6.91	6.92	6.92	6.93
	122°F	TC	36364	36413	36453	36454	36503	40859	40912	40958	40966	41011	43321	43368	43416	43422	43476
		S/T	0.66	0.78	0.88	0.88	1.00	0.75	0.87	0.99	0.99	1.00	0.75	0.88	1.00	1.00	1.00
		PI	5.06	5.06	5.07	5.07	5.08	5.68	5.69	5.70	5.70	5.70	6.02	6.03	6.04	6.04	6.05

TC:Total Cooling Capacity (BTU/hr)

S/T:Sensible Cooling Capacity Ratio

PI:Power Input(kW)

60MPHP-HE-SYS Expanded Heating @ 1,136 CFM

CFM	HEATING PERFORMANCE AT INDOOR DRY BULB TEMPERATURE										
	OD DB (°F)	TC: Total Heating Capacity (BTU/hr)					PI: Power Input (kW)				
		Indoor Conditions (DB °F)					Indoor Conditions (DB °F)				
		60.8°F	68°F	70°F	71.6°F	75.2°F	60.8°F	68°F	70°F	71.6°F	75.2°F
1136	-13°F	20550	20139	20038	19404	19230	4.77	4.81	4.82	4.83	4.85
	-10°F	22249	21804	21695	21009	20819	4.86	4.90	4.91	4.92	4.94
	-4°F	25646	25133	25008	24217	23999	5.04	5.08	5.09	5.10	5.12
	0°F	27509	26959	26824	25976	25742	5.08	5.12	5.13	5.14	5.16
	5°F	29838	29241	29095	28175	27921	5.13	5.17	5.18	5.19	5.21
	14°F	30445	29836	29687	28748	28489	5.28	5.32	5.33	5.34	5.36
	17°F	30647	30034	29884	28939	28678	5.32	5.37	5.38	5.39	5.41
	22°F	32572	31920	31761	30756	30479	5.38	5.42	5.43	5.45	5.47
	27°F	34497	33807	33638	32574	32280	5.44	5.48	5.49	5.50	5.52
	32°F	36421	35693	35515	34391	34082	5.49	5.54	5.55	5.56	5.58
	37°F	37576	36825	36641	35482	35162	5.53	5.57	5.58	5.59	5.62
	42°F	45301	44395	44173	42776	42391	5.54	5.59	5.60	5.61	5.63
	44.6°F	47508	46558	46325	44860	44456	5.55	5.59	5.60	5.62	5.64
	47°F	50819	49802	49553	47986	47554	5.56	5.61	5.62	5.63	5.65
	52°F	48278	47312	47076	45587	45176	5.45	5.49	5.51	5.52	5.54
	57°F	45864	44947	44722	43307	42918	5.34	5.38	5.40	5.41	5.43
	59°F	43571	42699	42486	41142	40772	5.23	5.28	5.29	5.30	5.32
62°F	41392	40564	40362	39085	38733	5.13	5.17	5.18	5.19	5.21	
64.4°F	39323	38536	38343	37131	36796	5.03	5.07	5.08	5.09	5.11	

60MPHP-HE-SYS Expanded Heating @ 1,360 CFM

CFM	HEATING PERFORMANCE AT INDOOR DRY BULB TEMPERATURE										
	OD DB (°F)	TC: Total Heating Capacity (BTU/hr)					PI: Power Input (kW)				
		Indoor Conditions (DB °F)					Indoor Conditions (DB °F)				
		60.8°F	68°F	70°F	71.6°F	75.2°F	60.8°F	68°F	70°F	71.6°F	75.2°F
1360	-13°F	23223	22758	22645	22554	22351	4.82	4.86	4.87	4.88	4.90
	-10°F	25143	24640	24517	24419	24199	4.91	4.95	4.96	4.97	4.99
	-4°F	28982	28403	28261	28147	27894	5.09	5.13	5.14	5.15	5.17
	0°F	31087	30466	30313	30192	29920	5.13	5.17	5.18	5.19	5.21
	5°F	33719	33045	32879	32748	32453	5.18	5.22	5.23	5.24	5.26
	14°F	34405	33716	33548	33414	33113	5.33	5.37	5.38	5.39	5.41
	17°F	34633	33940	33771	33636	33333	5.38	5.42	5.43	5.44	5.46
	22°F	36808	36072	35892	35748	35426	5.43	5.48	5.49	5.50	5.52
	27°F	38983	38204	38013	37861	37520	5.49	5.54	5.55	5.56	5.58
	32°F	41159	40336	40134	39973	39614	5.55	5.59	5.60	5.62	5.64
	37°F	42464	41615	41406	41241	40870	5.58	5.63	5.64	5.65	5.67
	42°F	51193	50169	49919	49719	49271	5.60	5.65	5.66	5.67	5.69
	44.6°F	53687	52614	52351	52141	51672	5.60	5.65	5.66	5.67	5.70
	47°F	57429	56280	55999	55775	55273	5.62	5.66	5.67	5.69	5.71
	52°F	54557	53466	53199	52986	52509	5.51	5.55	5.56	5.57	5.59
	57°F	51829	50793	50539	50337	49884	5.40	5.44	5.45	5.46	5.48
	59°F	49238	48253	48012	47820	47389	5.29	5.33	5.34	5.35	5.37
62°F	46776	45840	45611	45429	45020	5.18	5.22	5.23	5.24	5.27	
64.4°F	44437	43548	43331	43157	42769	5.08	5.12	5.13	5.14	5.16	

60MPHP-HE-SYS Expanded Heating @ 1,583 CFM

CFM	HEATING PERFORMANCE AT INDOOR DRY BULB TEMPERATURE										
	OD DB (°F)	TC: Total Heating Capacity (BTU/hr)					PI: Power Input (kW)				
		Indoor Conditions (DB °F)					Indoor Conditions (DB °F)				
		60.8°F	68°F	70°F	71.6°F	75.2°F	60.8°F	68°F	70°F	71.6°F	75.2°F
1583	-13°F	26243	25719	25590	25488	25258	4.87	4.91	4.92	4.92	4.94
	-10°F	28413	27845	27705	27595	27346	4.96	5.00	5.01	5.02	5.04
	-4°F	32752	32097	31936	31809	31522	5.14	5.18	5.19	5.20	5.22
	0°F	35131	34428	34256	34119	33812	5.18	5.22	5.23	5.24	5.27
	5°F	38105	37343	37156	37007	36674	5.23	5.28	5.29	5.30	5.32
	14°F	38880	38102	37911	37760	37420	5.38	5.43	5.44	5.45	5.47
	17°F	39138	38355	38163	38011	37668	5.43	5.48	5.49	5.50	5.52
	22°F	41596	40764	40560	40398	40034	5.49	5.53	5.55	5.56	5.58
	27°F	44054	43173	42957	42785	42400	5.55	5.59	5.60	5.61	5.64
	32°F	46512	45582	45354	45173	44766	5.60	5.65	5.66	5.67	5.70
	37°F	47987	47027	46792	46605	46186	5.64	5.68	5.70	5.71	5.73
	42°F	57852	56695	56411	56186	55680	5.66	5.70	5.71	5.72	5.75
	44.6°F	60671	59457	59160	58923	58393	5.66	5.71	5.72	5.73	5.75
	47°F	64898	63600	63282	63029	62462	5.67	5.72	5.73	5.74	5.77
	52°F	61653	60420	60118	59878	59339	5.56	5.61	5.62	5.63	5.65
	57°F	58571	57399	57112	56884	56372	5.45	5.49	5.51	5.52	5.54
59°F	55642	54529	54257	54040	53553	5.34	5.38	5.39	5.41	5.43	
62°F	52860	51803	51544	51338	50876	5.23	5.28	5.29	5.30	5.32	
64.4°F	50217	49213	48967	48771	48332	5.13	5.17	5.18	5.19	5.21	

60MPHP-HE-SYS Expanded Heating @ 1,805 CFM

CFM	HEATING PERFORMANCE AT INDOOR DRY BULB TEMPERATURE										
	OD DB (°F)	TC: Total Heating Capacity (BTU/hr)					PI: Power Input (kW)				
		Indoor Conditions (DB °F)					Indoor Conditions (DB °F)				
		60.8°F	68°F	70°F	71.6°F	75.2°F	60.8°F	68°F	70°F	71.6°F	75.2°F
1805	-13°F	29052	28471	28329	28216	27962	4.92	4.95	4.96	4.97	4.99
	-10°F	31454	30825	30671	30548	30273	5.01	5.05	5.06	5.07	5.09
	-4°F	36257	35532	35354	35213	34896	5.19	5.23	5.24	5.25	5.28
	0°F	38891	38113	37923	37771	37431	5.23	5.28	5.29	5.30	5.32
	5°F	42183	41339	41133	40968	40600	5.29	5.33	5.34	5.35	5.37
	14°F	43041	42180	41969	41801	41425	5.44	5.48	5.49	5.50	5.52
	17°F	43327	42460	42248	42079	41700	5.49	5.53	5.54	5.55	5.58
	22°F	46048	45127	44901	44722	44319	5.55	5.59	5.60	5.61	5.63
	27°F	48769	47794	47555	47365	46938	5.60	5.65	5.66	5.67	5.69
	32°F	51490	50461	50208	50007	49557	5.66	5.71	5.72	5.73	5.75
	37°F	53123	52061	51800	51593	51129	5.70	5.74	5.75	5.77	5.79
	42°F	64044	62763	62449	62199	61640	5.71	5.76	5.77	5.78	5.81
	44.6°F	67164	65821	65492	65230	64643	5.72	5.76	5.78	5.79	5.81
	47°F	71844	70407	70055	69775	69147	5.73	5.78	5.79	5.80	5.82
	52°F	68252	66887	66553	66286	65690	5.62	5.66	5.67	5.69	5.71
	57°F	64840	63543	63225	62972	62405	5.51	5.55	5.56	5.57	5.59
	59°F	61598	60366	60064	59824	59285	5.39	5.44	5.45	5.46	5.48
62°F	58518	57347	57061	56832	56321	5.29	5.33	5.34	5.35	5.37	
64.4°F	55592	54480	54208	53991	53505	5.18	5.22	5.23	5.24	5.27	

Control Options

Thermostats

Part Number	Description
MMT4522-001	24V 2H/1C Programmable Thermostat with Occupancy Sensor Input and Standard Display.
MMT8532-002	24V 2H/1C Programmable Thermostat with Occupancy Sensor Input and Deluxe Display.
MMT8532OCC-1	24V 2H/1C Programmable Thermostat with Built-In Occupancy Sensor and Deluxe Display.
MMW-1	24V 2H/1C Non-Programmable Wireless Thermostat.

The MPHP-SYS includes a factory installed 24V control board, in the outdoor heat pump, and can be used with most standard 24V thermostats.



MMT4522-001



MMT8532-002



MMW-1



Wired Wall Controllers and IR Controller

Part Number	Description
SWC120LR	Standard wired wall controller with operation mode control, timer and fan speed functions.
WIFI-DWC120X2	Deluxe wired wall controller with WFI and app, with programmable weekly timer, auto-restart, child lock, Turbo function, follow me function and more. The WIFI-DWC120X2 also functions as a receiver for the MWRC remote controller.
MWRC2	Wireless infrared remote controller with timer, sleep function, follow me and turbo function. Internal functions, such as setting airflow, can be made with this remote controller, as well.



SWC120LR
Standard Wired
Wall Controller



WIFI-DWC120X2
WIFI Deluxe Wired
Wall Controller



MWRC2
Wireless Remote
Controller

Unit Options

Field Install Electric Heater Kits

Part Number	Air Handler Model	Heater Size kW
EAH-03E(UL)	18MPPH	3
EAH-05E(UL)		5
EAH-08E(UL)		8
EAH-10E(UL)		10
EAH-05E(UL)	24MPPH	5
EAH-08E(UL)		8
EAH-10E(UL)		10
EAH-15E(UL)		15
EAH-05E(UL)	30MPPH	5
EAH-08E(UL)		8
EAH-10E(UL)		10
EAH-15E(UL)		15
EAH-05E(UL)	36MPPH	5
EAH-08E(UL)		8
EAH-10E(UL)		10
EAH-15E(UL)		15
EAH-20E(UL)		20
EAH-08E(UL)	48MPPH	8
EAH-10E(UL)		10
EAH-15E(UL)		15
EAH-20E(UL)		20
EAH-10E(UL)	60MPPH	10
EAH-15E(UL)		15
EAH-20E(UL)		20



Part Number	Qty Circuit Breakers	Qty Relays	Qty Power Cord Groups	Qty Power Cord Grounding Screws
EAH-03E(UL)	1	1	2	2
EAH-05E(UL)	1	1	2	2
EAH-08E(UL)	1	2	2	2
EAH-10E(UL)	1	2	2	2
EAH-15E(UL)	2	3	3	3
EAH-20E(UL)	2	4	3	3

Electric Heater Kits include Manual, 1 ea. Sealing Foam, 7 ea. Screws, 1 ea. Rubber Cap, Wiring Diagram and Air Switch Label.

Wind Baffles

Design

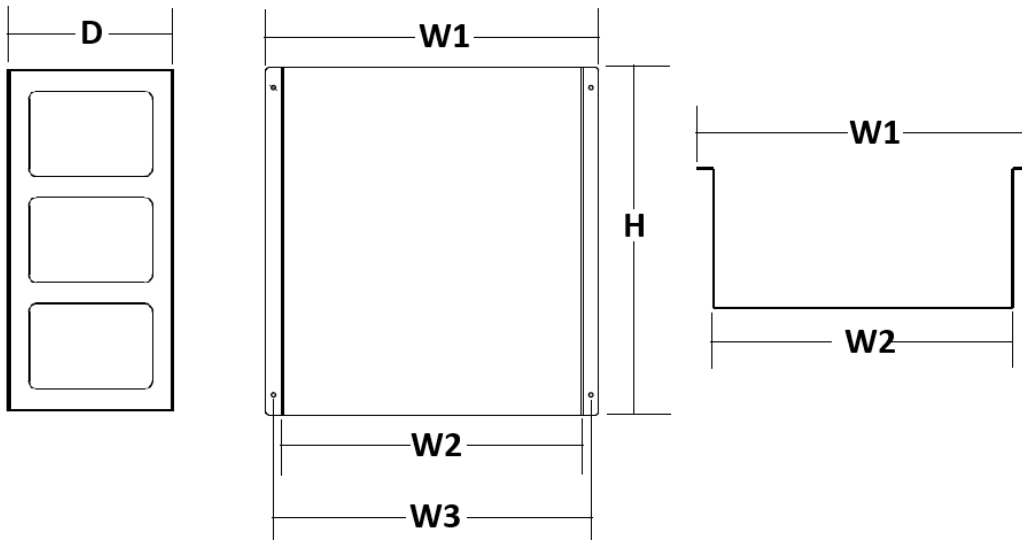
Wind Baffles are mounted to Outdoor Heat Pumps, utilizing existing holes for the Outdoor Grille Guard.

Materials

Heavy gauge steel construction, powder coated with an off white finish. Screws (4 ea.) included.

Packaging

Individually wrapped in master cartons, with built in pallets.



Model	Fits	H	W1	W2	W3	D
HWB-X3	HES-18HD-B	17.62	16.98	15.50	16.29	7.87
HWB-X4	HES-24HD-B	20.59	19.87	18.39	19.18	7.87
HWB-D	HES-30HD-B, HES-36HD-B	19.76	18.13	16.65	17.44	7.87
HWB-X6	HES-48HD-B, HES-60HD-B	21.50	19.79	18.31	19.09	7.87





**33380 Zeiders Road, Suite 101
Menifee, CA 92584**

Phone 888-741-9775

Fax 760-480-8904

www.multimfg-usa.com