



MPHP-HH-B

Hyper Heat

Multi-Position System

R454b Model



High Efficiency Communicating, with Full Heating Capacity down to 5° F

1.5 Ton - 5 Ton, with Efficiencies up to 19.00 SEER2 and 12.5 EER2



R454b

The MPHP-HH-B is a highly efficient split system, with a 4-way multi-position indoor direct drive air handler and an outdoor side discharge heat pump unit. The indoor air handler can be installed in various locations, including closet, attic, garage and ceiling suspended. With a wide range of sizes, from 1.5 to 5 tons, and flexibility of application, this highly efficient system is the solution for many projects.

Typical installations for the MPHP-HH include:

- Apartments
- Condominiums
- Independent Care Facilities
- Manufactured Homes
- Single Family Homes
- Modular Buildings
- Student Housing
- Offices
- Stores



Features

Highly Efficient / High Performance

- Highly Efficient Inverter Compressor, with Efficiencies up to 19.30 SEER2
- Air Handler EC Blower Motor, with Available ESP up to 1.00" WC
- Low Amp Draw DC motor in Outdoor HP

Quiet Operation, Inside and Outside

- Low Sone DC motor in MPHP Air Handler
- Quiet Inverter Compressor in Outdoor Heat Pump, with Sound Levels as low as 59 dBA

Heating at Low Ambient Conditions

- Standard Base Pan Heaters
- Heat Strip Options Available, Factory Installed or Field Install
- Full Heat Pump Heating Capacity down to 5° F
- Crankcase Heater

Fresh Air

- Optional Field Install OSA Fan-Assisted Fresh Air Package is available

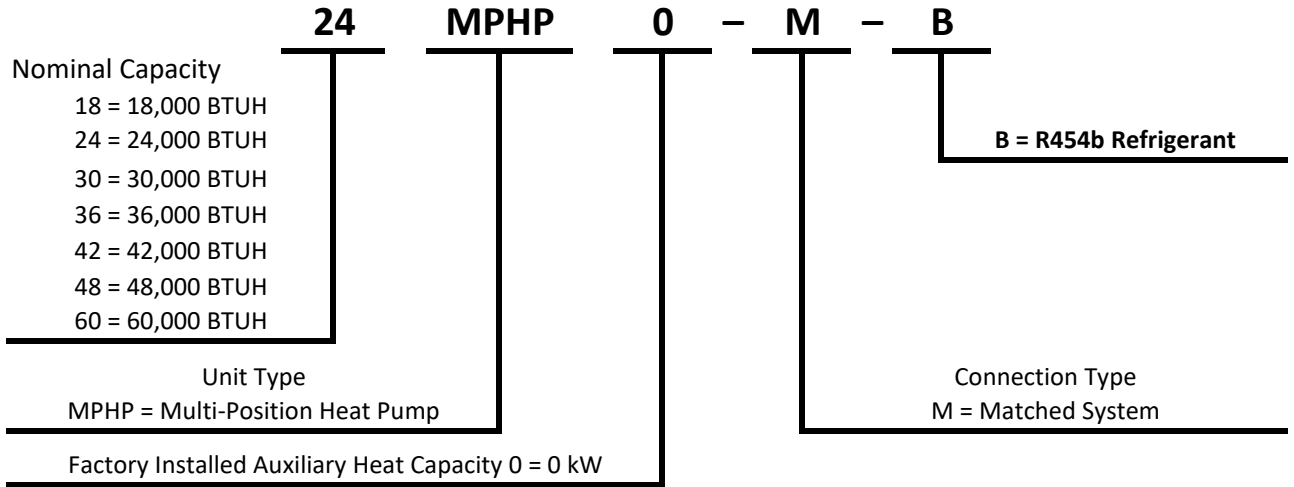
Design

- Versatile air handler design; field convertible Hz Left, Hz Right or downflow
- Intelligent Preheating and Intelligent Defrosting
- Electronic Expansion Valve
- Indoor Unit can be wired to 115/1 or 208/230/1
- Factory Installed 24V Control Board with High, Medium and Low Motor Speed Taps
- Compatible with Standard 24V 2 Stage Heat / 1 Stage Cool Thermostats
- Compatible with Multi Mfg Wired Wall Controller
- Pre-Coated Fins on Evaporator and Condenser Coils
- Air Handler coils are aluminum fin / aluminum tube
- Condenser coils are aluminum fin / copper tube
- Compressor Overload and Over Current Protection
- Environmentally Friendly R454b Refrigerant

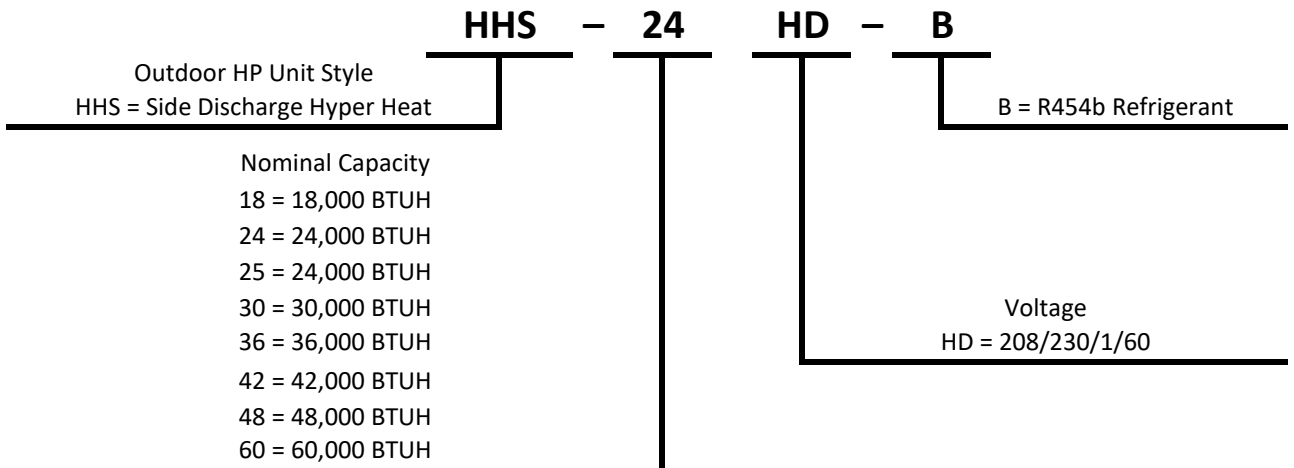


Nomenclature

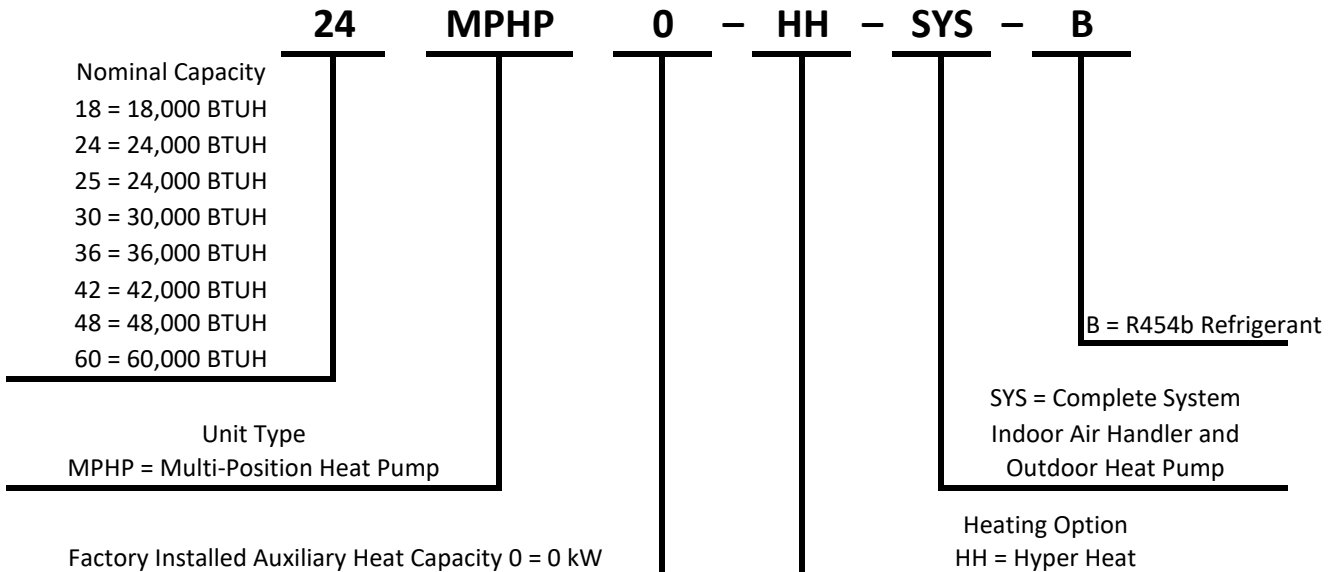
Indoor Unit



Outdoor Unit



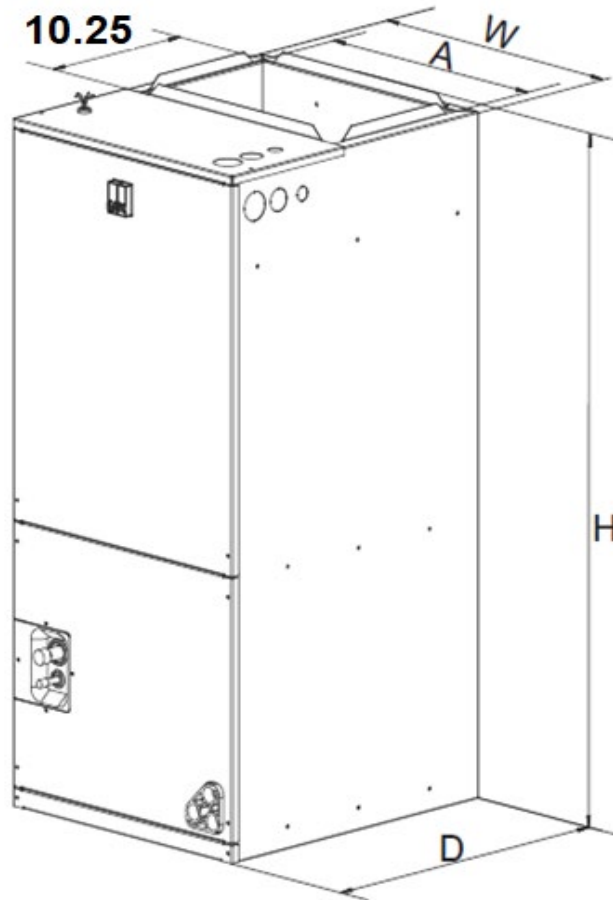
System



MPHP

1.5 ton - 5.0 ton Heat Pump Air Handler

Dimensional Data



Unit	Height (H)	Width (W)	Depth (D)	Supply Width (A)	Supply Depth	Weight (lbs)
18MPHP	45.0	17.5	21.0	15.75	10.25	106
24MPHP	45.0	17.5	21.0	15.75	10.25	106
30MPHP	49.0	21.0	21.0	19.31	10.25	129
36MPHP	49.0	21.0	21.0	19.31	10.25	129
42MPHP	53.0	24.5	21.0	22.63	10.25	163
48MPHP	53.0	24.5	21.0	22.63	10.25	163
60MPHP	53.0	24.5	21.0	22.63	10.25	163

Dimensions shown are in Inches

Condensate Connections on all units are 3/4"

Dimensional Data

Figure 1

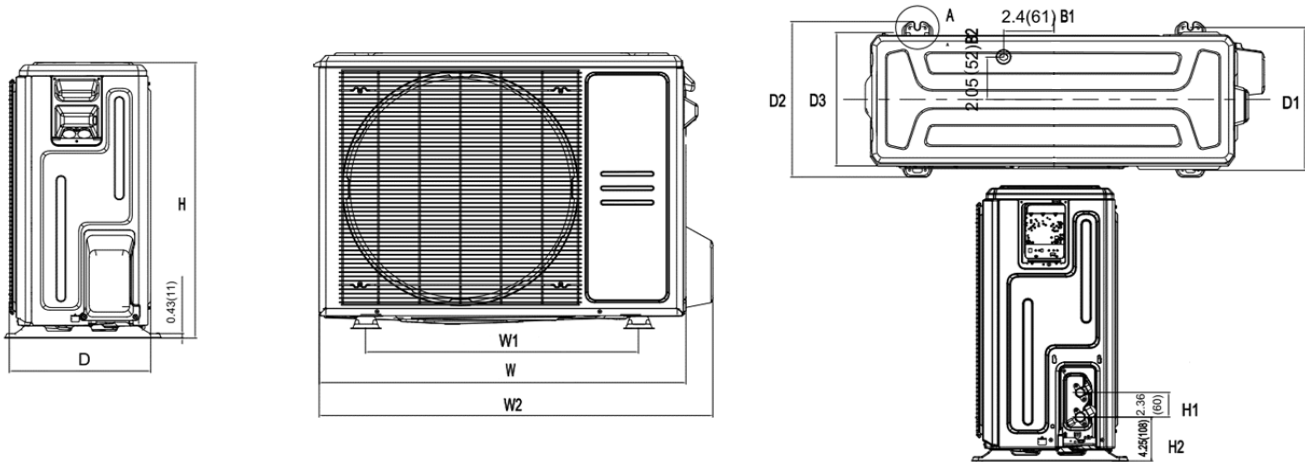
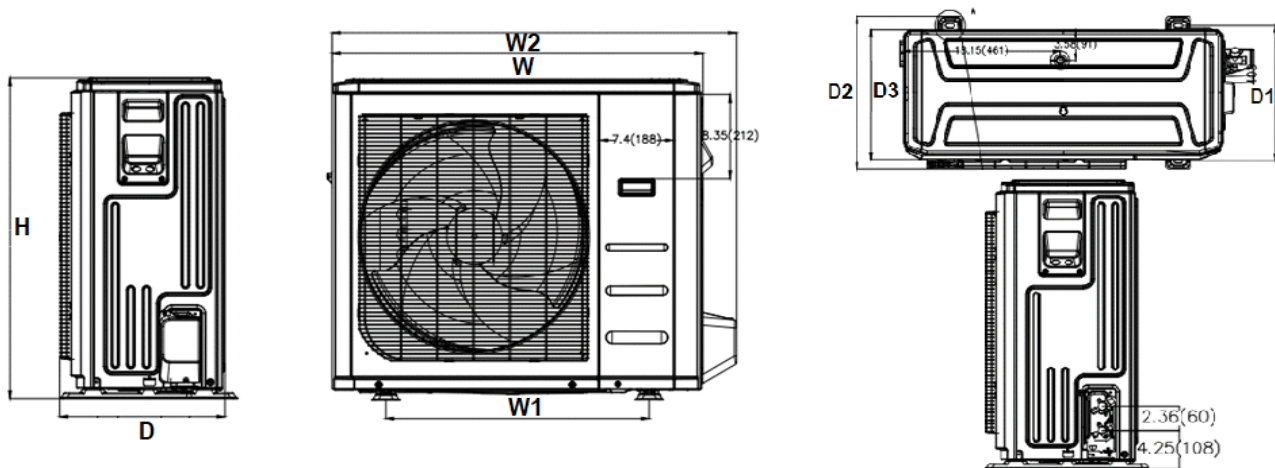


Figure 2

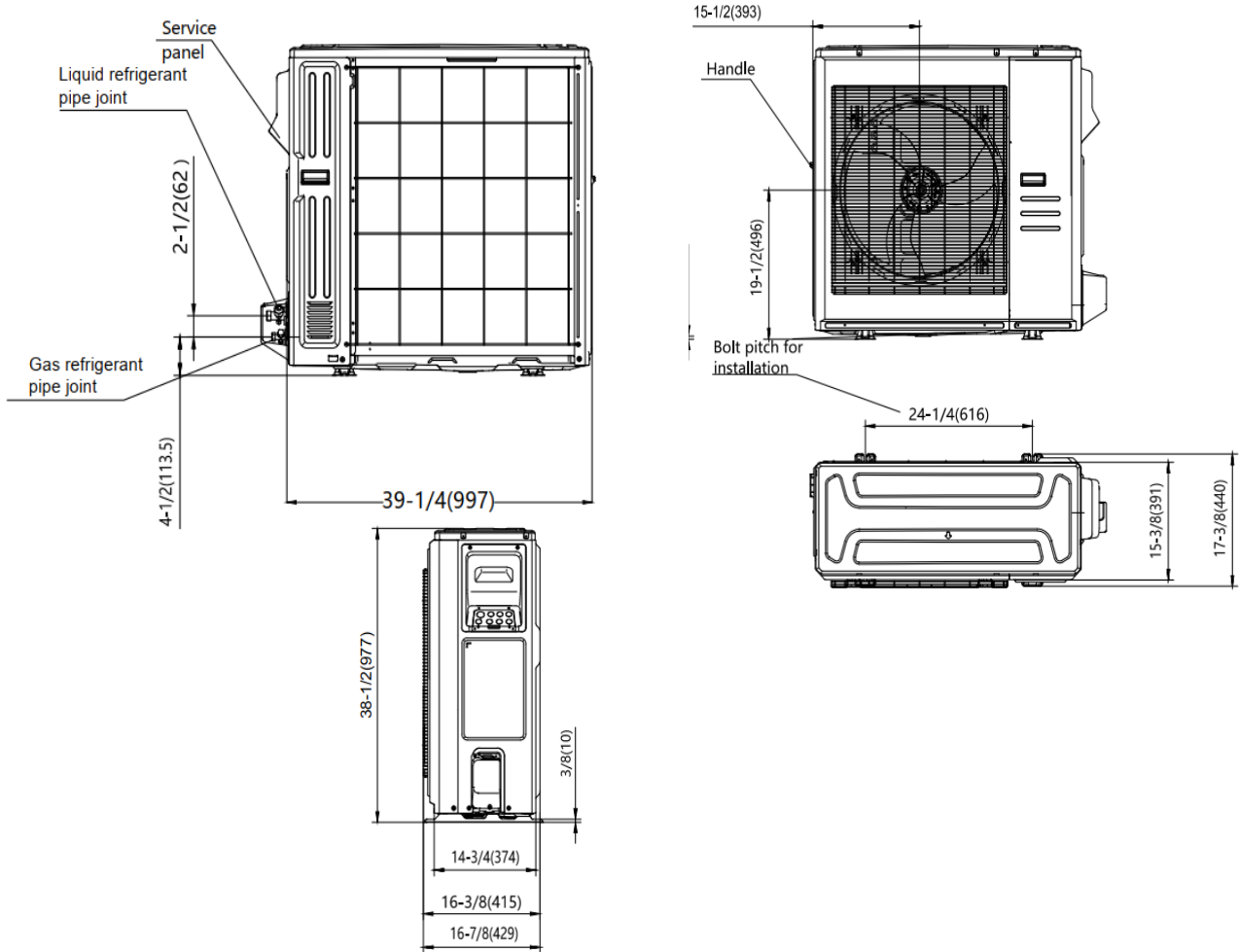


Unit	Figure	Unit Width (W)	Unit Width w/Elec (W2)	Unit Height (H)	Unit Depth (D)	Bracket Width (W1)	Bracket Depth (D2)	Weight (lbs)
HHS-18HD-B	1	35.04	37.63	26.50	13.46	26.13	15.00	103
HHS-24HD-B	1	35.04	37.63	26.50	13.46	26.13	15.00	103
HHS-25HD-B	2	37.25	40.50	31.90	16.15	26.50	17.88	164
HHS-30HD-B	2	37.25	40.50	31.90	16.15	26.50	17.88	164

Dimensions shown are in Inches

Dimensional Data

Figure 3

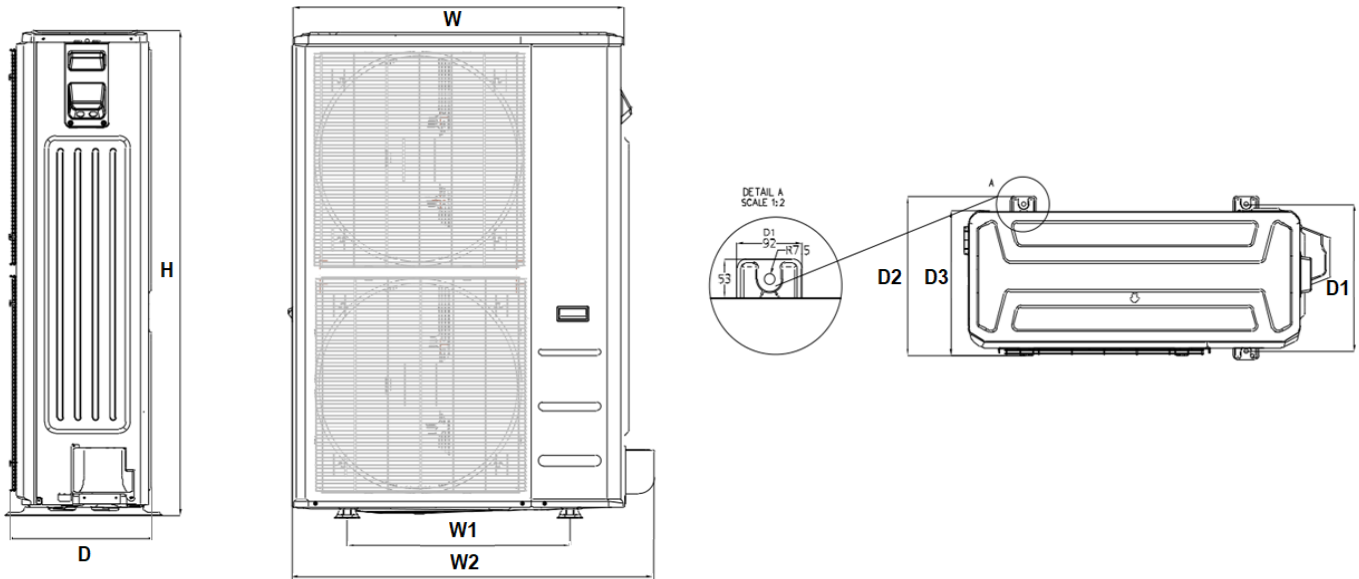


Unit	Figure	Unit Width (W)	Unit Width w/Elec (W2)	Unit Height (H)	Unit Depth (D)	Bracket Width (W1)	Bracket Depth (D2)	Weight (lbs)
HHS-36HD-B	3	38.58	42.75	38.39	16.38	24.25	17.38	205
HHS-42HD-B	3	38.58	42.75	38.39	16.38	24.25	17.38	205
HHS-48HD-B	3	38.58	42.75	38.39	16.38	24.25	17.38	205

Dimensions shown are in Inches

Dimensional Data

Figure 4



Unit	Figure	Unit Width (W)	Unit Width w/Elec (W2)	Unit Height (H)	Unit Depth (D)	Bracket Width (W1)	Bracket Depth (D2)	Weight (lbs)
HHS-60HD-B	4	37.50	41.15	52.50	16.34	25.00	18.00	240

Dimensions shown are in Inches

MPHP

1.5 ton - 5.0 ton Heat Pump Air Handler

Electrical Data

Model Number	Electric Heat		Indoor Fan		Circuit 1				Circuit 2				
	kW	BTUH		Input (W)	Output (W)	Min. Cir.		MOCP		Min. Cir.		MOCP	
		208V	230V			208V	230V	208V	230V	208V	230V	208V	230V
18MPHP*-M-B	0	0	0	487	600	5.5	4.0	15.0	15.0				
	3	7700	10200	487	600	14.0	16.0	15.0	20.0				
	5	12795	17060	487	600	23.0	27.0	25.0	30.0				
	8	20500	27300	487	600	37.0	42.0	40.0	45.0				
	10	25575	34100	487	600	46.0	53.0	50.0	60.0				
24MPHP*-M-B	0	0	0	487	600	5.5	4.0	15.0	15.0				
	5	12795	17060	487	600	23.0	27.0	25.0	30.0				
	8	20500	27300	487	600	37.0	42.0	40.0	45.0				
	10	25575	34100	487	600	46.0	53.0	50.0	60.0				
	15	38400	51200	487	600	23.0	27.0	25.0	30.0	46.0	53.0	50.0	60.0
30MPHP*-M-B	0	0	0	487	600	8.0	6.0	15.0	15.0				
	5	12795	17060	487	600	23.0	27.0	25.0	30.0				
	8	20500	27300	487	600	37.0	42.0	40.0	45.0				
	10	25575	34100	487	600	46.0	53.0	50.0	60.0				
	15	38400	51200	487	600	23.0	27.0	25.0	30.0	46.0	53.0	50.0	60.0
36MPHP*-M-B	0	0	0	487	600	8.0	6.0	15.0	15.0				
	5	12795	17060	487	600	23.0	27.0	25.0	30.0				
	8	20500	27300	487	600	37.0	42.0	40.0	45.0				
	10	25575	34100	487	600	46.0	53.0	50.0	60.0				
	15	38400	51200	487	600	23.0	27.0	25.0	30.0	46.0	53.0	50.0	60.0
	20	51150	68200	487	600	46.0	53.0	50.0	60.0	46.0	53.0	50.0	60.0
42MPHP*-M-B	0	0	0	487	600	14.5	11.0	15.0	15.0				
	5	12795	17060	487	600	23.0	27.0	25.0	30.0				
	8	20500	27300	487	600	37.0	42.0	40.0	45.0				
	10	25575	34100	487	600	46.0	53.0	50.0	60.0				
	15	38400	51200	487	600	23.0	27.0	25.0	30.0	46.0	53.0	50.0	60.0
	20	51150	68200	487	600	46.0	53.0	50.0	60.0	46.0	53.0	50.0	60.0
48MPHP*-M-B	0	0	0	487	600	14.5	11.0	15.0	15.0				
	8	20500	27300	487	600	37.0	42.0	40.0	45.0				
	10	25575	34100	487	600	46.0	53.0	50.0	60.0				
	15	38400	51200	487	600	23.0	27.0	25.0	30.0	46.0	53.0	50.0	60.0
	20	51150	68200	487	600	46.0	53.0	50.0	60.0	46.0	53.0	50.0	60.0
60MPHP*-M-B	0	0	0	487	600	14.5	11.0	15.0	15.0				
	10	25575	34100	487	600	46.0	53.0	50.0	60.0				
	15	38400	51200	487	600	23.0	27.0	25.0	30.0	46.0	53.0	50.0	60.0
	20	51150	68200	487	600	46.0	53.0	50.0	60.0	46.0	53.0	50.0	60.0

* Note: The indoor unit, with 0 kW heat strip, is powered solely by the outdoor unit.

All MPHP indoor units, with electric heat strip, shall be powered by a separate indoor electrical circuit which solely powers the strip heaters.

MPHP-HH-SYS-B

1.50 ton - 5.00 ton Hyper Heat Systems

System Specifications

System Model		18MPHP0-HH-SYS-B	24MPHP0-HH-SYS-B	25MPHP0-HH-SYS-B	30MPHP0-HH-SYS-B
Indoor Model		18MPHP0-M-B	24MPHP0-M-B	24MPHP0-M-B	30MPHP0-M-B
Outdoor Model		HHS-18HD-B	HHS-24HD-B	HHS-25HD-B	HHS-30HD-B
Energy Star (Cold Climate Split HP)		Yes	Yes	Yes	Yes
Energy Star (Meets Peak Cooling Requirements)		Yes	Yes	Yes	Yes
Rated Cooling Capacity	BTU/H	18,000	23,000	24,000	30,000
Cooling Capacity Range (Min-Max)	BTU/H	5,600~22,000	7,200~27,000	12,000~34,000	12,800~39,000
SEER2		19.00	18.30	17.00	16.80
EER2		12.5	11.7	12.0	11.7
Rated Heating Capacity at 47°F	BTU/H	19,000	24,000	26,000	34,000
Heating Capacity at 17°F	BTU/H	21,600	22,000	33,000	37,800
Heating Capacity at 5°F	BTU/H	18,000	21,600	31,000	32,600
Heating Capacity at -4°F	BTU/H	16,600	17,300	27,000	28,200
Heating Capacity at -13°F	BTU/H	14,000	14,400	23,000	23,400
Heating Capacity at -22°F	BTU/H	11,000	12,000	20,000	20,100
Heating Capacity Range (Min-Max)	BTU/H	6,000~22,000	7,100~30,000	11,000~35,000	10,300~38,500
HSPF2		9.7	10.0	9.4	10.0
COP at 47°F	W/W	3.2	3.3	3.9	3.7
COP at 17°F	W/W	2.6	2.4	2.6	2.8
COP at 5°F	W/W	2.0	1.9	1.8	2.0
Room Temperature	Cooling	°F	60~90	60~90	60~90
	Heating	°F	32~86	32~86	32~86
Operation Temperature	Cooling	°F	-22~122	-22~122	-22~122
	Heating	°F	-22~75	-22~75	-22~75

System Model		36MPHP0-HH-SYS-B	42MPHP0-HH-SYS-B	48MPHP0-HH-SYS-B	60MPHP0-HH-SYS-B
Indoor Model		36MPHP0-M-B	42MPHP0-M-B	48MPHP0-M-B	60MPHP0-M-B
Outdoor Model		HHS-36HD-B	HHS-42HD-B	HHS-48HD-B	HHS-60HD-B
Energy Star (Cold Climate Split HP)		Yes	Yes	Yes	Yes
Energy Star (Meets Peak Cooling Requirements)		Yes	Yes	No	No
Rated Cooling Capacity	BTU/H	36,000	48,000	48,000	54,000
Cooling Capacity Range (Min-Max)	BTU/H	9,700~42,000	15,600~51,000	15,600~51,000	11,400~56,300
SEER2		17.40	16.70	16.50	16.00
EER2		11.7	11.7	10.5	10.0
Rated Heating Capacity at 47°F	BTU/H	37,000	50,000	50,000	56,000
Heating Capacity at 17°F	BTU/H	41,000	48,000	48,000	50,400
Heating Capacity at 5°F	BTU/H	39,000	46,000	46,000	52,000
Heating Capacity at -4°F	BTU/H	36,000	40,700	40,700	46,700
Heating Capacity at -13°F	BTU/H	30,800	34,200	34,200	41,600
Heating Capacity at -22°F	BTU/H	27,800	25,900	25,900	30,900
Heating Capacity Range (Min-Max)	BTU/H	11,000~48,000	15,500~57,300	15,500~57,300	8,100~64,500
HSPF2		10.3	9.5	9.5	9.0
COP at 47°F	W/W	3.8	3.4	3.4	3.1
COP at 17°F	W/W	2.7	2.7	2.7	2.4
COP at 5°F	W/W	2.1	1.9	1.9	1.8
Room Temperature	Cooling	°F	60~90	60~90	60~90
	Heating	°F	32~86	32~86	32~86
Operation Temperature	Cooling	°F	-22~122	-22~122	-22~122
	Heating	°F	-22~75	-22~75	-22~75

HHS-B

1.5 ton - 5.0 ton Heat Pump Outdoor Unit

Refrigerant, Piping and Dimensional Data

Model		HHS-18HD-B	HHS-24HD-B	HHS-25HD-B	HHS-30HD-B
Power Supply	V/Hz/Ph	208/230/60/1			
Compressor	Type	Inverter			
Comm Wiring	Size	AWG 20-2	AWG 20-2	AWG 20-2	AWG 20-2
Packaging	H x W x D	29.1 x 39.2 x 15.7	29.1 x 39.2 x 15.7	34.8 x 42.9 x 19.7	34.8 x 42.9 x 19.7
Packaged Weight	Lbs	109	109	174	174
Noise Level	dB(A)	59.0	60.0	60.5	60.5
Liquid - Suction	Inch	3/8 - 3/4	3/8 - 3/4	3/8 - 3/4	3/8 - 3/4
Max Lineset Length	Feet	98.4	164	164	246
Max Lineset Vertical Lift	Feet	65.6	82	82	98.4
Refrigerant / Precharge	Type / Oz	R454b / 74.08	R454b / 74.08	R454b / 105.82	R454b / 105.82
Refrigerant Precharge	Feet	25	25	25	25
Additional Charge Per Foot	Oz	0.7	0.7	0.7	0.7
Design Pressure	Psi	550	550	550	520
Indoor Operating Range	Cooling DB Min / Max	60°F / 90°F	60°F / 90°F	60°F / 90°F	60°F / 90°F
	Heating DB Min / Max	32°F / 86°F	32°F / 86°F	32°F / 86°F	32°F / 86°F
Outdoor Operating Range	Cooling DB Min / Max	-22°F / 122°F	-22°F / 122°F	-22°F / 122°F	-22°F / 122°F
	Heating DB Min / Max	-22°F / 75°F	-22°F / 75°F	-22°F / 75°F	-22°F / 75°F

Model		HHS-36HD-B	HHS-42HD-B	HHS-48HD-B	HHS-60HD-B
Power Supply	V/Hz/Ph	208/230/60/1			
Compressor	Type	Inverter			
Comm Wiring	Size	AWG 20-2	AWG 20-2	AWG 20-2	AWG 20-2
Packaging	H x W x D	42.5 x 45.1 x 19.7	42.5 x 45.1 x 19.7	42.5 x 45.1 x 19.7	58.3 x 43.1 x 19.5
Packaged Weight	Lbs	232	232	232	275
Noise Level	dB(A)	62.5	65.0	65.0	65.0
Liquid - Suction	Inch	3/8 - 3/4	3/8 - 3/4	3/8 - 3/4	3/8 - 3/4
Max Lineset Length	Feet	246	246	246	246
Max Lineset Vertical Lift	Feet	98.4	98.4	98.4	98.4
Refrigerant / Precharge	Type / Oz	R454b	R454b	R454b	R454b
Refrigerant Precharge	Feet	25	25	25	25
Additional Charge Per Foot	Oz	0.7	0.7	0.7	0.7
Design Pressure	Psi	550	550	550	550
Indoor Operating Range	Cooling DB Min / Max	60°F / 90°F	60°F / 90°F	60°F / 90°F	60°F / 90°F
	Heating DB Min / Max	32°F / 86°F	32°F / 86°F	32°F / 86°F	32°F / 86°F
Outdoor Operating Range	Cooling DB Min / Max	-22°F / 122°F	-22°F / 122°F	-22°F / 122°F	-22°F / 122°F
	Heating DB Min / Max	-22°F / 75°F	-22°F / 75°F	-22°F / 75°F	-22°F / 75°F

Electrical Data

Outdoor Heat Pumps Only							
Unit	V / PH	Oper Volts		Compressor	Fan	MCA	Max Fuse
		Max	Min	Input (W)	Input (W)		
HHS-18HD-B	208/230/1	253	187	2045	250	16.0	20.0
HHS-24HD-B		253	187	2045	250	19.0	20.0
HHS-24HD-B		253	187	3200	375	29.5	30.0
HHS-30HD-B		253	187	3200	375	29.5	30.0
HHS-36HD-B		253	187	3265	375	29.0	30.0
HHS-42HD-B		253	187	4900	750	38.0	40.0
HHS-48HD-B		253	187	4900	750	38.0	40.0
HHS-60HD-B		253	187	3665	750	40.0	40.0

MCA - Minimum Circuit Ampacity

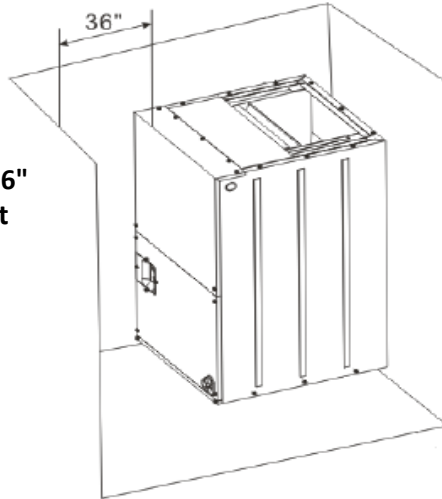
Outdoor Heat Pumps with Matching Indoor Units								
Outdoor Heat Pump				Indoor Air Handler				
Model	V / PH	MCA	MOP	Model	MCA	MOP	MCA	MOP
		208V / 230V			115V		208V / 230V	
HHS-18HD-B	208/230/1	16.0	20.0	18MPHP0-M-B	5.5	15	4.0	15
HHS-24HD-B		19.0	20.0	24MPHP0-M-B	5.5	15	4.0	15
HHS-25HD-B		29.5	30.0	24MPHP0-M-B	5.5	15	4.0	15
HHS-30HD-B		29.5	30.0	30MPHP0-M-B	8.0	15	6.0	15
HHS-36HD-B		29.0	30.0	36MPHP0-M-B	8.0	15	6.0	15
HHS-42HD-B		38.0	40.0	42MPHP0-M-B	14.5	15	11.0	15
HHS-48HD-B		38.0	40.0	48MPHP0-M-B	14.5	15	11.0	15
HHS-60HD-B		40.0	40.0	60MPHP0-M-B	14.5	15	11.0	15

MCA - Minimum Circuit Ampacity

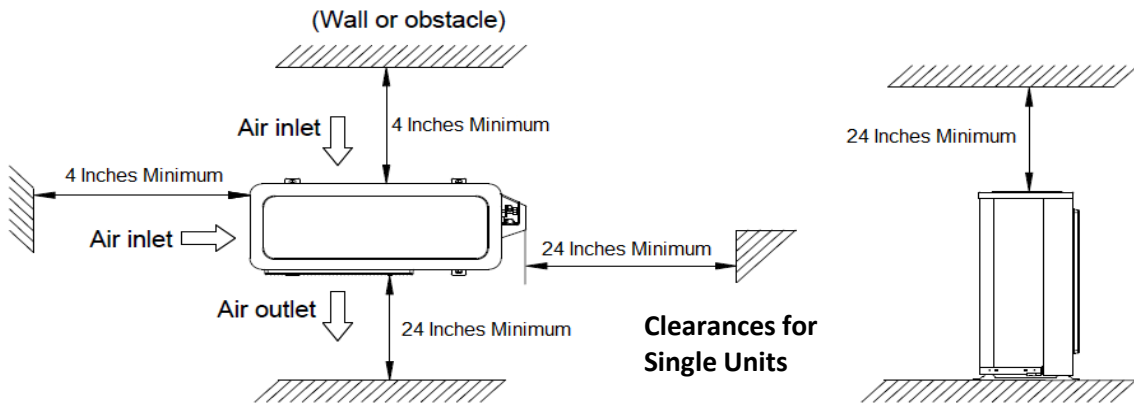
Clearances

MPHP Indoor Units

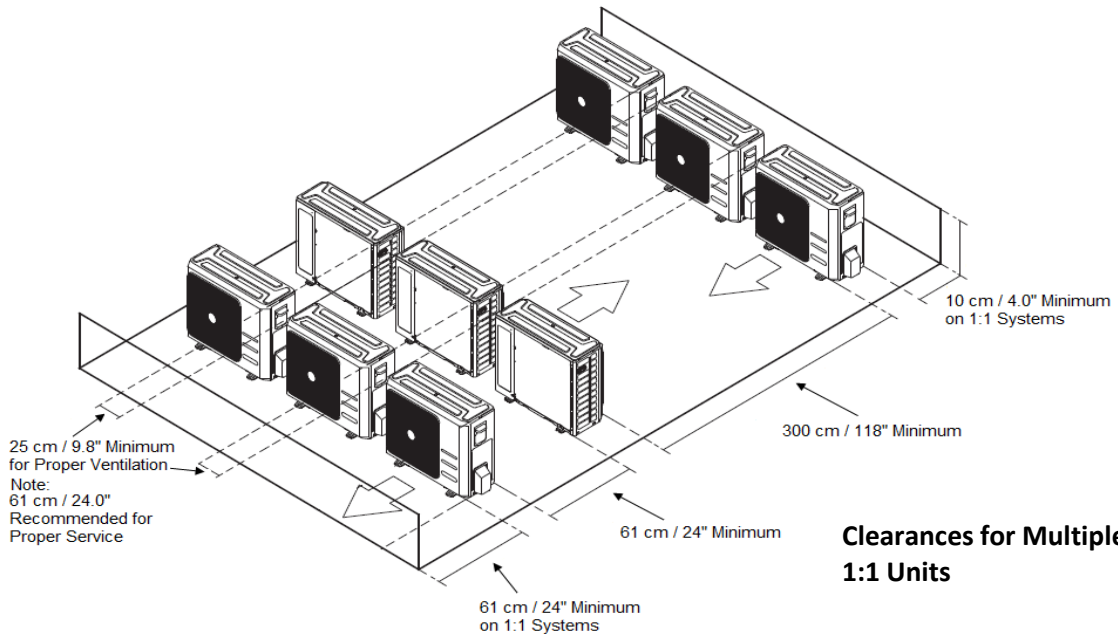
Service Clearance of 36" at the front of the unit



HHS Outdoor Units



Clearances for Single Units



Clearances for Multiple 1:1 Units

MPHP

1.5 ton - 5.0 ton Heat Pump Air Handler

Blower Table

AHU Model Number	Speed	EXTERNAL STATIC PRESSURE (in.w.g.)									
		0	0.1	0.15	0.2	0.3	0.4	0.5	0.6	0.8	1.0
18MPHP	Turbo	611	616	618	615	612	618	620	610	613	
	High	573	577	580	576	579	574	573	576	577	574
	Medium	524	528	532	542	523	524	533	523	521	519
	Low	489	493	490	488	501	497	495	492	489	488
24MPHP	Turbo	820	825	822	820	825	822	825	820	822	
	High	752	746	750	756	750	746	741	745	735	714
	Medium	692	690	685	695	693	692	688	684	670	654
	Low	598	613	625	630	632	635	631	624	614	624
30MPHP	Turbo	986	984	983	980	985	989	985	992	988	
	High	899	895	902	898	900	909	901	908	905	899
	Medium	813	811	813	816	815	811	809	801	807	801
	Low	722	705	713	705	708	711	707	704	702	698
36MPHP	Turbo	1179	1180	1185	1182	1184	1191	1182	1189	1188	
	High	1137	1123	1119	1120	1112	1111	1113	1101	1094	1088
	Medium	1010	1001	1001	1000	995	995	996	983	996	969
	Low	879	883	888	892	893	893	892	890	873	826
42MPHP	Turbo	1465	1467	1480	1470	1466	1475	1470	1478	1473	
	High	1325	1328	1337	1337	1330	1333	1338	1335	1321	1321
	Medium	1155	1156	1154	1154	1143	1147	1149	1143	1140	1113
	Low	946	943	942	948	947	940	940	933	925	925
48MPHP	Turbo	1465	1467	1480	1470	1466	1475	1470	1478	1473	
	High	1325	1328	1337	1337	1330	1333	1338	1335	1321	1321
	Medium	1155	1156	1154	1154	1143	1147	1149	1143	1140	1113
	Low	946	943	942	948	947	940	940	933	925	925
60MPHP	Turbo	1799	1800	1798	1796	1802	1805	1798	1800	1806	
	High	1591	1595	1604	1604	1599	1602	1605	1603	1589	1586
	Medium	1255	1257	1262	1262	1256	1258	1259	1255	1251	1232
	Low	1142	1143	1142	1145	1143	1147	1149	1143	1140	1113

Please see page 11 special settings for increased air flow.

MPHP

1.5 ton - 5.0 ton Heat Pump Air Handler

Various Air Handler Blower Settings

Air Handler	Fan Speed	CFM	Air Handler	Fan Speed	CFM
18MPHP0 (1/3HP)	Cooling Turbo	618	36MPHP0 (1/2HP)	Cooling Turbo	1188
	Cooling High	576		Cooling High	1082
	Cooling Medium	529		Cooling Medium	971
	Cooling Low	488		Cooling Low	865
	Heat Pump Turbo	565		Heat Pump Turbo	1112
	Heat Pump High	541		Heat Pump High	1059
	Heat Pump Medium	435		Heat Pump Medium	794
	Heat Pump Low	400		Heat Pump Low	582
	Aux Heater Default 0	653		Aux Heater Default 0	1306
	Auxiliary Heater 1	624		Auxiliary Heater 1	1241
	Auxiliary Heater 2	594		Auxiliary Heater 2	1176
	Auxiliary Heater 3	565		Auxiliary Heater 3	1112
24MPHP0 (1/2HP)	Cooling Turbo	824	42MPHP0 48MPHP0 (3/4HP)	Cooling Turbo	1471
	Cooling High	759		Cooling High	1282
	Cooling Medium	694		Cooling Medium	1094
	Cooling Low	629		Cooling Low	906
	Heat Pump Turbo	788		Heat Pump Turbo	1471
	Heat Pump High	753		Heat Pump High	1306
	Heat Pump Medium	641		Heat Pump Medium	1141
	Heat Pump Low	524		Heat Pump Low	976
	Aux Heater Default 0	871		Aux Heater Default 0	1741
	Auxiliary Heater 1	841		Auxiliary Heater 1	1653
	Auxiliary Heater 2	818		Auxiliary Heater 2	1559
	Auxiliary Heater 3	788		Auxiliary Heater 3	1471
30MPHP0 (1/2HP)	Cooling Turbo	988	60MPHP0 (1HP)	Cooling Turbo	1806
	Cooling High	894		Cooling High	1582
	Cooling Medium	806		Cooling Medium	1359
	Cooling Low	712		Cooling Low	1135
	Heat Pump Turbo	918		Heat Pump Turbo	1659
	Heat Pump High	876		Heat Pump High	1582
	Heat Pump Medium	665		Heat Pump Medium	1247
	Heat Pump Low	453		Heat Pump Low	976
	Aux Heater Default 0	1088		Aux Heater Default 0	2171
	Auxiliary Heater 1	1029		Auxiliary Heater 1	2029
	Auxiliary Heater 2	976		Auxiliary Heater 2	1894
	Auxiliary Heater 3	918		Auxiliary Heater 3	1753

Notes:

1. Cooling Turbo & Heat Pump Turbo fan speeds are only available when using the DWC120X2 wired wall controller.
2. Auxiliary Heater fan speeds are available with either DWC120X2 wired wall controller or 24V thermostat.
3. The Auxiliary Heater settings 0, 1, 2 and 3 are set with dip switches, on the air handler board.

Matched System Ratings

System	Indoor Air Handler	Outdoor HP	SEER2	EER2	COP	HSPF2	BTU Cooling	BTU Heating	AHRI Reference Number
18MPHP0-HH-SYS-B	18MPHP0-M-B	HHS-18HD-B	19.00	12.5	3.2	9.7	18,000	19,000	216760033
24MPHP0-HH-SYS-B	24MPHP0-M-B	HHS-24HD-B	18.30	11.7	3.3	10.0	23,000	24,000	216760034
25MPHP0-HH-SYS-B	24MPHP0-M-B	HHS-25HD-B	17.00	12.0	3.9	9.4	24,000	26,000	217176413
30MPHP0-HH-SYS-B	30MPHP0-M-B	HHS-30HD-B	16.80	11.7	3.7	10.0	30,000	34,000	216760035
36MPHP0-HH-SYS-B	36MPHP0-M-B	HHS-36HD-B	17.40	11.7	3.6	10.3	36,000	37,000	216760036
42MPHP0-HH-SYS-B	42MPHP0-M-B	HHS-42HD-B	16.70	11.7	3.4	9.5	42,000	50,000	216760037
48MPHP0-HH-SYS-B	48MPHP0-M-B	HHS-48HD-B	16.50	10.5	3.4	9.5	48,000	50,000	216760038
60MPHP0-HH-SYS-B	60MPHP0-M-B	HHS-60HD-B	16.00	10.0	3.1	9.0	54,000	56,000	216760039

Air Handler Noise Level (dBA)

Fan Coil	High	Med	Low
18MPHP0-M-B	41.0	39.0	33.0
24MPHP0-M-B	44.0	42.0	28.0
30MPHP0-M-B	46.0	43.0	27.5
36MPHP0-M-B	48.0	45.5	25.5
42MPHP0-M-B	52.0	50.0	34.0
48MPHP0-M-B	52.0	50.0	34.0
60MPHP0-M-B	52.0	49.5	34.5



Outdoor HP Noise Level

Heat Pump	dBA
HHS-18HD-B	58.5
HHS-24HD-B	59.0
HHS-25HD-B	62.5
HHS-30HD-B	62.5
HHS-36HD-B	64.0
HHS-42HD-B	65.0
HHS-48HD-B	65.0
HHS-60HD-B	65.0



18MPHP-HH-SYS-B Expanded Cooling @ 490 CFM

CFM	OD DB (°F)	ID WB ID DB	60.8°F (16.0°C)					64.4°F (18.0°C)					67°F (19.4°C)					71.6°F (22.0°C)				
			73.4°F	77.0°F	80.0°F	80.6°F	84.2°F	73.4°F	77.0°F	80.0°F	80.6°F	84.2°F	73.4°F	77.0°F	80.0°F	80.6°F	84.2°F	73.4°F	77.0°F	80.0°F	80.6°F	84.2°F
			23.0°C	25.0°C	26.7°C	27.0°C	29.0°C	23.0°C	25.0°C	26.7°C	27.0°C	29.0°C	23.0°C	25.0°C	26.7°C	27.0°C	29.0°C	23.0°C	25.0°C	26.7°C	27.0°C	29.0°C
490	50°F (10°C)	TC	16545	16567	16585	16586	16608	17542	17563	17580	17584	17605	18590	18614	18635	18639	18659	19710	19732	19753	19756	19781
		S/T	0.45	0.52	0.59	0.59	0.68	0.47	0.55	0.63	0.63	0.72	0.50	0.59	0.67	0.67	0.76	0.53	0.62	0.71	0.71	0.81
		PI	0.60	0.60	0.60	0.60	0.61	0.64	0.64	0.64	0.64	0.64	0.68	0.68	0.68	0.68	0.68	0.72	0.72	0.72	0.72	0.72
	59°F (15°C)	TC	17189	17212	17231	17232	17255	18225	18247	18265	18268	18290	19314	19339	19360	19364	19386	20478	20500	20522	20525	20551
		S/T	0.45	0.53	0.60	0.60	0.68	0.47	0.56	0.63	0.63	0.72	0.50	0.59	0.67	0.67	0.76	0.53	0.63	0.71	0.71	0.81
		PI	0.70	0.70	0.70	0.70	0.70	0.74	0.74	0.74	0.74	0.75	0.79	0.79	0.79	0.79	0.79	0.83	0.84	0.84	0.84	0.84
	68°F (20°C)	TC	17833	17857	17876	17877	17901	18908	18930	18949	18953	18975	20037	20064	20086	20090	20112	21245	21268	21291	21294	21321
		S/T	0.46	0.54	0.61	0.61	0.70	0.49	0.57	0.65	0.65	0.74	0.52	0.61	0.69	0.69	0.79	0.55	0.64	0.73	0.73	0.83
		PI	0.80	0.80	0.80	0.80	0.80	0.85	0.85	0.85	0.85	0.85	0.90	0.90	0.90	0.90	0.90	0.95	0.95	0.95	0.95	0.95
	77°F (25°C)	TC	18477	18502	18522	18523	18548	19591	19614	19633	19637	19660	20761	20788	20811	20815	20838	22012	22036	22060	22063	22091
		S/T	0.47	0.55	0.62	0.62	0.71	0.49	0.58	0.66	0.66	0.75	0.52	0.61	0.70	0.70	0.80	0.55	0.65	0.74	0.74	0.84
		PI	0.90	0.90	0.90	0.90	0.90	0.95	0.95	0.95	0.95	0.95	1.01	1.01	1.01	1.01	1.01	1.07	1.07	1.07	1.07	1.07
	82°F (27.8°C)	TC	18636	18661	18682	18682	18708	19759	19783	19802	19806	19830	20940	20967	20991	20994	21018	22202	22226	22250	22253	22281
		S/T	0.47	0.55	0.63	0.63	0.72	0.50	0.59	0.67	0.67	0.76	0.53	0.62	0.71	0.71	0.81	0.56	0.66	0.75	0.75	0.85
		PI	1.02	1.02	1.02	1.02	1.02	1.08	1.08	1.08	1.08	1.08	1.15	1.15	1.15	1.15	1.15	1.21	1.22	1.22	1.22	1.22
	86°F (30°C)	TC	18513	18538	18558	18559	18584	19629	19652	19671	19675	19699	20801	20828	20852	20856	20879	22055	22079	22103	22106	22134
		S/T	0.48	0.56	0.64	0.64	0.73	0.51	0.59	0.68	0.68	0.77	0.54	0.63	0.72	0.72	0.82	0.57	0.67	0.76	0.76	0.86
		PI	1.21	1.21	1.21	1.21	1.21	1.28	1.28	1.28	1.28	1.28	1.36	1.36	1.36	1.36	1.36	1.44	1.44	1.44	1.44	1.44
	95°F (35°C)	TC	18235	18260	18280	18280	18305	19334	19357	19376	19380	19403	20490	20516	20539	20543	20566	21724	21748	21771	21775	21802
		S/T	0.48	0.56	0.64	0.64	0.73	0.51	0.59	0.68	0.68	0.77	0.54	0.63	0.72	0.72	0.82	0.57	0.67	0.76	0.76	0.86
		PI	1.63	1.63	1.63	1.63	1.63	1.73	1.73	1.73	1.73	1.73	1.83	1.83	1.83	1.83	1.84	1.94	1.94	1.94	1.94	1.95
	104°F (40°C)	TC	16198	16220	16237	16238	16260	17174	17194	17211	17215	17235	18200	18224	18244	18247	18268	19297	19318	19339	19342	19366
		S/T	0.49	0.57	0.65	0.65	0.74	0.52	0.61	0.69	0.69	0.79	0.55	0.65	0.73	0.73	0.84	0.58	0.68	0.78	0.78	0.89
		PI	1.71	1.71	1.71	1.71	1.71	1.81	1.81	1.81	1.81	1.82	1.92	1.92	1.92	1.92	1.93	2.03	2.04	2.04	2.04	2.04
110°F (43°C)	TC	14975	14996	15012	15012	15033	15878	15897	15912	15916	15934	16826	16848	16867	16870	16889	17840	17860	17879	17882	17904	
	S/T	0.51	0.60	0.68	0.68	0.77	0.54	0.63	0.72	0.72	0.82	0.57	0.67	0.76	0.76	0.87	0.60	0.71	0.81	0.81	0.92	
	PI	1.75	1.76	1.76	1.76	1.76	1.86	1.86	1.86	1.86	1.87	1.97	1.97	1.98	1.98	1.98	2.09	2.09	2.09	2.10	2.10	
115°F (46°C)	TC	13771	13789	13804	13805	13824	14601	14618	14633	14636	14653	15473	15493	15511	15513	15531	16405	16423	16441	16444	16464	
	S/T	0.51	0.60	0.68	0.68	0.78	0.54	0.64	0.73	0.73	0.83	0.58	0.68	0.77	0.77	0.88	0.61	0.72	0.82	0.82	0.93	
	PI	1.68	1.69	1.69	1.69	1.69	1.78	1.79	1.79	1.79	1.79	1.89	1.89	1.90	1.90	1.90	2.01	2.01	2.01	2.01	2.01	
122°F (50°C)	TC	12165	12181	12195	12195	12212	12898	12914	12926	12929	12944	13669	13687	13702	13704	13720	14492	14508	14524	14526	14544	
	S/T	0.53	0.62	0.70	0.70	0.80	0.56	0.65	0.74	0.74	0.85	0.59	0.69	0.79	0.79	0.90	0.63	0.73	0.83	0.83	0.95	
	PI	1.59	1.59	1.59	1.59	1.59	1.68	1.69	1.69	1.69	1.69	1.78	1.79	1.79	1.79	1.79	1.89	1.89	1.90	1.90	1.90	

TC:Total Cooling Capacity (BTU/hr)

S/T:Sensible Cooling Capacity Ratio

PI:Power Input(kW)

18MPHP-HH-SYS-B Expanded Cooling @ 530 CFM

CFM	OD DB (°F)	ID WB	60.8°F (16.0°C)					64.4°F (18.0°C)					67°F (19.4°C)					71.6°F (22.0°C)				
			73.4°F	77.0°F	80.0°F	80.6°F	84.2°F	73.4°F	77.0°F	80.0°F	80.6°F	84.2°F	73.4°F	77.0°F	80.0°F	80.6°F	84.2°F	73.4°F	77.0°F	80.0°F	80.6°F	84.2°F
			23.0°C	25.0°C	26.7°C	27.0°C	29.0°C	23.0°C	25.0°C	26.7°C	27.0°C	29.0°C	23.0°C	25.0°C	26.7°C	27.0°C	29.0°C	23.0°C	25.0°C	26.7°C	27.0°C	29.0°C
530	50°F (10°C)	TC	17171	17194	17213	17213	17237	18206	18227	18245	18249	18271	19293	19319	19340	19344	19365	20456	20478	20500	20504	20529
		S/T	0.46	0.54	0.62	0.62	0.70	0.49	0.58	0.65	0.65	0.75	0.52	0.61	0.69	0.69	0.79	0.55	0.65	0.73	0.73	0.84
		PI	0.63	0.63	0.63	0.63	0.63	0.66	0.66	0.66	0.66	0.67	0.70	0.70	0.70	0.70	0.71	0.75	0.75	0.75	0.75	0.75
	59°F (15°C)	TC	17839	17863	17883	17883	17908	18914	18937	18956	18959	18982	20044	20071	20093	20097	20119	21252	21275	21298	21302	21328
		S/T	0.46	0.55	0.62	0.62	0.71	0.49	0.58	0.66	0.66	0.75	0.52	0.61	0.70	0.70	0.79	0.55	0.65	0.74	0.74	0.84
		PI	0.73	0.73	0.73	0.73	0.73	0.77	0.77	0.77	0.77	0.77	0.82	0.82	0.82	0.82	0.82	0.87	0.87	0.87	0.87	0.87
	68°F (20°C)	TC	18508	18533	18553	18553	18578	19623	19646	19666	19670	19693	20796	20823	20846	20850	20873	22048	22072	22096	22100	22127
		S/T	0.48	0.56	0.64	0.64	0.73	0.51	0.59	0.67	0.67	0.77	0.54	0.63	0.71	0.71	0.81	0.57	0.67	0.76	0.76	0.86
		PI	0.83	0.83	0.83	0.83	0.83	0.88	0.88	0.88	0.88	0.88	0.93	0.93	0.93	0.93	0.93	0.99	0.99	0.99	0.99	0.99
	77°F (25°C)	TC	19176	19202	19223	19224	19249	20332	20356	20376	20380	20404	21547	21575	21599	21603	21627	22845	22870	22895	22898	22927
		S/T	0.48	0.57	0.64	0.64	0.73	0.51	0.60	0.68	0.68	0.78	0.54	0.64	0.72	0.72	0.83	0.58	0.68	0.77	0.77	0.88
		PI	0.93	0.93	0.93	0.93	0.93	0.99	0.99	0.99	0.99	0.99	1.04	1.05	1.05	1.05	1.05	1.11	1.11	1.11	1.11	1.11
	82°F (27.8°C)	TC	19341	19367	19388	19389	19415	20507	20531	20552	20556	20580	21732	21760	21785	21789	21813	23042	23067	23092	23095	23124
		S/T	0.49	0.57	0.65	0.65	0.74	0.52	0.61	0.69	0.69	0.79	0.55	0.65	0.73	0.73	0.84	0.58	0.68	0.78	0.78	0.89
		PI	1.06	1.06	1.06	1.06	1.06	1.12	1.12	1.12	1.12	1.13	1.19	1.19	1.19	1.19	1.19	1.26	1.26	1.26	1.26	1.26
	86°F (30°C)	TC	19213	19239	19260	19261	19287	20371	20395	20416	20420	20444	21588	21616	21640	21644	21669	22889	22914	22939	22942	22971
		S/T	0.50	0.58	0.66	0.66	0.75	0.53	0.62	0.70	0.70	0.80	0.56	0.65	0.74	0.74	0.85	0.59	0.69	0.79	0.79	0.90
		PI	1.25	1.25	1.26	1.26	1.26	1.33	1.33	1.33	1.33	1.33	1.41	1.41	1.41	1.41	1.41	1.49	1.49	1.50	1.50	1.50
	95°F (35°C)	TC	18925	18951	18971	18972	18998	20066	20090	20109	20113	20137	21265	21292	21316	21320	21344	22546	22570	22595	22599	22627
		S/T	0.50	0.58	0.66	0.66	0.75	0.53	0.62	0.70	0.70	0.80	0.56	0.65	0.74	0.74	0.85	0.59	0.69	0.79	0.79	0.90
		PI	1.69	1.69	1.69	1.69	1.70	1.79	1.79	1.80	1.80	1.80	1.90	1.90	1.90	1.90	1.91	2.01	2.02	2.02	2.02	2.02
	104°F (40°C)	TC	16811	16833	16851	16852	16875	17824	17845	17863	17866	17887	18889	18913	18934	18938	18959	20027	20049	20070	20073	20098
		S/T	0.51	0.60	0.68	0.68	0.77	0.54	0.63	0.72	0.72	0.82	0.57	0.67	0.76	0.76	0.87	0.61	0.71	0.81	0.81	0.92
		PI	1.77	1.77	1.78	1.78	1.78	1.88	1.88	1.88	1.88	1.89	1.99	1.99	2.00	2.00	2.00	2.11	2.11	2.12	2.12	2.12
	110°F (43°C)	TC	15542	15563	15580	15580	15601	16479	16498	16514	16518	16537	17463	17486	17505	17508	17528	18515	18535	18556	18558	18582
		S/T	0.53	0.62	0.70	0.70	0.80	0.56	0.66	0.74	0.74	0.85	0.59	0.69	0.79	0.79	0.90	0.63	0.74	0.84	0.84	0.95
		PI	1.82	1.82	1.83	1.83	1.83	1.93	1.93	1.93	1.94	1.94	2.05	2.05	2.05	2.05	2.05	2.17	2.17	2.17	2.17	2.18
	115°F (46°C)	TC	14292	14311	14327	14327	14347	15153	15171	15186	15189	15207	16059	16079	16097	16100	16118	17026	17045	17063	17066	17087
		S/T	0.53	0.63	0.71	0.71	0.81	0.56	0.66	0.75	0.75	0.86	0.60	0.70	0.80	0.80	0.91	0.63	0.74	0.85	0.85	0.96
		PI	1.75	1.75	1.75	1.75	1.75	1.85	1.85	1.86	1.86	1.86	1.96	1.97	1.97	1.97	1.97	2.08	2.08	2.09	2.09	2.09
	122°F (50°C)	TC	12625	12642	12656	12656	12674	13386	13402	13415	13418	13434	14186	14204	14220	14223	14239	15041	15057	15073	15076	15095
		S/T	0.55	0.64	0.73	0.73	0.83	0.58	0.68	0.77	0.77	0.88	0.61	0.72	0.82	0.82	0.93	0.65	0.76	0.87	0.87	0.99
		PI	1.65	1.65	1.65	1.65	1.65	1.75	1.75	1.75	1.75	1.75	1.85	1.85	1.86	1.86	1.86	1.96	1.97	1.97	1.97	1.97

TC:Total Cooling Capacity (BTU/hr)

S/T:Sensible Cooling Capacity Ratio

PI:Power Input(kW)

18MPHP-HH-SYS-B Expanded Cooling @ 580 CFM

CFM	OD DB (°F)	ID WB	60.8°F (16.0°C)					64.4°F (18.0°C)					67°F (19.4°C)					71.6°F (22.0°C)				
			73.4°F	77.0°F	80.0°F	80.6°F	84.2°F	73.4°F	77.0°F	80.0°F	80.6°F	84.2°F	73.4°F	77.0°F	80.0°F	80.6°F	84.2°F	73.4°F	77.0°F	80.0°F	80.6°F	84.2°F
			23.0°C	25.0°C	26.7°C	27.0°C	29.0°C	23.0°C	25.0°C	26.7°C	27.0°C	29.0°C	23.0°C	25.0°C	26.7°C	27.0°C	29.0°C	23.0°C	25.0°C	26.7°C	27.0°C	29.0°C
580	50°F (10°C)	TC	17821	17845	17864	17865	17889	18894	18917	18936	18939	18962	20023	20049	20072	20075	20098	21230	21253	21276	21279	21306
		S/T	0.48	0.56	0.64	0.64	0.73	0.51	0.60	0.68	0.68	0.77	0.54	0.63	0.72	0.72	0.82	0.57	0.67	0.76	0.76	0.87
		PI	0.65	0.65	0.65	0.65	0.65	0.69	0.69	0.69	0.69	0.69	0.73	0.73	0.73	0.73	0.73	0.77	0.77	0.78	0.78	0.78
	59°F (15°C)	TC	18514	18539	18559	18560	18585	19630	19653	19673	19677	19700	20803	20830	20853	20857	20880	22056	22080	22104	22108	22135
		S/T	0.48	0.57	0.64	0.64	0.73	0.51	0.60	0.68	0.68	0.78	0.54	0.64	0.72	0.72	0.82	0.57	0.67	0.77	0.77	0.87
		PI	0.75	0.76	0.76	0.76	0.76	0.80	0.80	0.80	0.80	0.80	0.85	0.85	0.85	0.85	0.85	0.90	0.90	0.90	0.90	0.90
	68°F (20°C)	TC	19208	19234	19254	19255	19281	20366	20390	20410	20414	20438	21582	21610	21634	21638	21663	22883	22907	22932	22936	22965
		S/T	0.50	0.58	0.66	0.66	0.75	0.52	0.62	0.70	0.70	0.80	0.56	0.65	0.74	0.74	0.85	0.59	0.69	0.79	0.79	0.90
		PI	0.86	0.86	0.86	0.86	0.86	0.91	0.91	0.91	0.91	0.91	0.97	0.97	0.97	0.97	0.97	1.02	1.02	1.03	1.03	1.03
	77°F (25°C)	TC	19902	19928	19950	19951	19978	21101	21126	21147	21151	21176	22362	22391	22416	22420	22445	23709	23735	23761	23764	23794
		S/T	0.50	0.59	0.67	0.67	0.76	0.53	0.62	0.71	0.71	0.81	0.56	0.66	0.75	0.75	0.86	0.60	0.70	0.80	0.80	0.91
		PI	0.96	0.97	0.97	0.97	0.97	1.02	1.02	1.02	1.02	1.03	1.08	1.08	1.09	1.09	1.09	1.15	1.15	1.15	1.15	1.15
	82°F (27.8°C)	TC	20073	20100	20122	20123	20150	21283	21308	21329	21333	21359	22554	22584	22609	22613	22638	23913	23939	23965	23969	23999
		S/T	0.51	0.60	0.68	0.68	0.77	0.54	0.63	0.72	0.72	0.82	0.57	0.67	0.76	0.76	0.87	0.61	0.71	0.81	0.81	0.92
		PI	1.10	1.10	1.10	1.10	1.10	1.16	1.17	1.17	1.17	1.17	1.23	1.24	1.24	1.24	1.24	1.31	1.31	1.31	1.31	1.31
	86°F (30°C)	TC	19940	19967	19989	19989	20016	21142	21167	21188	21192	21217	22405	22434	22459	22463	22488	23755	23781	23807	23810	23840
		S/T	0.51	0.60	0.69	0.69	0.78	0.55	0.64	0.73	0.73	0.83	0.58	0.68	0.77	0.77	0.88	0.61	0.72	0.82	0.82	0.93
		PI	1.30	1.30	1.30	1.30	1.30	1.38	1.38	1.38	1.38	1.38	1.46	1.46	1.46	1.46	1.47	1.55	1.55	1.55	1.55	1.55
	95°F (35°C)	TC	19641	19668	19689	19690	19716	20825	20850	20870	20874	20899	22069	22098	22122	22127	22151	23399	23424	23450	23453	23483
		S/T	0.51	0.60	0.69	0.69	0.78	0.55	0.64	0.73	0.73	0.83	0.58	0.68	0.77	0.77	0.88	0.61	0.72	0.82	0.82	0.93
		PI	1.75	1.76	1.76	1.76	1.76	1.86	1.86	1.86	1.86	1.87	1.97	1.97	1.98	1.98	1.98	2.09	2.09	2.09	2.09	2.10
	104°F (40°C)	TC	17447	17470	17489	17490	17513	18498	18520	18538	18542	18564	19603	19629	19651	19654	19676	20784	20807	20830	20833	20859
		S/T	0.53	0.62	0.70	0.70	0.80	0.56	0.66	0.75	0.75	0.85	0.59	0.70	0.79	0.79	0.90	0.63	0.74	0.84	0.84	0.95
		PI	1.84	1.84	1.84	1.84	1.85	1.95	1.95	1.95	1.95	1.96	2.07	2.07	2.07	2.07	2.07	2.19	2.19	2.20	2.20	2.20
110°F (43°C)	TC	16130	16152	16169	16170	16191	17102	17122	17139	17142	17163	18124	18147	18167	18171	18191	19216	19237	19257	19260	19284	
	S/T	0.55	0.64	0.73	0.73	0.83	0.58	0.68	0.77	0.77	0.88	0.61	0.72	0.82	0.82	0.93	0.65	0.76	0.87	0.87	0.99	
	PI	1.89	1.89	1.89	1.89	1.90	2.00	2.01	2.01	2.01	2.01	2.12	2.13	2.13	2.13	2.13	2.25	2.25	2.26	2.26	2.26	
115°F (46°C)	TC	14833	14853	14869	14869	14889	15726	15745	15761	15764	15782	16666	16688	16706	16709	16728	17670	17689	17709	17711	17734	
	S/T	0.55	0.65	0.74	0.74	0.84	0.59	0.69	0.78	0.78	0.89	0.62	0.73	0.83	0.83	0.94	0.66	0.77	0.88	0.88	1.00	
	PI	1.81	1.82	1.82	1.82	1.82	1.92	1.92	1.93	1.93	1.93	2.04	2.04	2.04	2.04	2.04	2.16	2.16	2.16	2.17	2.17	
122°F (50°C)	TC	13103	13121	13135	13135	13153	13893	13909	13923	13926	13942	14723	14742	14758	14761	14777	15610	15627	15644	15646	15666	
	S/T	0.57	0.66	0.75	0.75	0.86	0.60	0.70	0.80	0.80	0.91	0.64	0.75	0.85	0.85	0.97	0.67	0.79	0.90	0.90	1.00	
	PI	1.71	1.71	1.72	1.72	1.72	1.81	1.82	1.82	1.82	1.82	1.92	1.92	1.93	1.93	1.93	2.04	2.04	2.04	2.04	2.05	

TC:Total Cooling Capacity (BTU/hr)

S/T:Sensible Cooling Capacity Ratio

PI:Power Input(kW)

18MPHP-HH-SYS-B Expanded Cooling @ 620 CFM

CFM	OD DB (°F)	ID WB	60.8°F (16.0°C)					64.4°F (18.0°C)					67°F (19.4°C)					71.6°F (22.0°C)				
			73.4°F	77.0°F	80.0°F	80.6°F	84.2°F	73.4°F	77.0°F	80.0°F	80.6°F	84.2°F	73.4°F	77.0°F	80.0°F	80.6°F	84.2°F	73.4°F	77.0°F	80.0°F	80.6°F	84.2°F
			ID DB	23.0°C	25.0°C	26.7°C	27.0°C	29.0°C	23.0°C	25.0°C	26.7°C	27.0°C	29.0°C	23.0°C	25.0°C	26.7°C	27.0°C	29.0°C	23.0°C	25.0°C	26.7°C	27.0°C
620	50°F (10°C)	TC	18495	18520	18540	18540	18565	19609	19633	19652	19656	19679	20781	20808	20831	20835	20858	22033	22057	22081	22084	22112
		S/T	0.50	0.58	0.66	0.66	0.76	0.53	0.62	0.70	0.70	0.80	0.56	0.66	0.75	0.75	0.85	0.59	0.70	0.79	0.79	0.90
		PI	0.67	0.67	0.68	0.68	0.68	0.71	0.72	0.72	0.72	0.72	0.76	0.76	0.76	0.76	0.76	0.80	0.80	0.80	0.80	0.81
	59°F (15°C)	TC	19215	19240	19261	19262	19288	20373	20397	20417	20421	20445	21590	21618	21642	21646	21670	22891	22915	22940	22944	22973
		S/T	0.50	0.59	0.67	0.67	0.76	0.53	0.62	0.71	0.71	0.81	0.56	0.66	0.75	0.75	0.86	0.60	0.70	0.80	0.80	0.91
		PI	0.78	0.78	0.78	0.78	0.79	0.83	0.83	0.83	0.83	0.83	0.88	0.88	0.88	0.88	0.88	0.93	0.93	0.93	0.93	0.94
	68°F (20°C)	TC	19935	19961	19983	19984	20011	21136	21161	21182	21186	21211	22399	22428	22453	22457	22482	23748	23774	23800	23804	23833
		S/T	0.51	0.60	0.69	0.69	0.78	0.54	0.64	0.73	0.73	0.83	0.58	0.68	0.77	0.77	0.88	0.61	0.72	0.82	0.82	0.93
		PI	0.89	0.89	0.89	0.89	0.90	0.95	0.95	0.95	0.95	0.95	1.00	1.00	1.00	1.00	1.01	1.06	1.06	1.06	1.06	1.07
	77°F (25°C)	TC	20655	20682	20705	20706	20733	21899	21925	21947	21951	21977	23208	23238	23264	23268	23294	24606	24633	24660	24663	24694
		S/T	0.52	0.61	0.69	0.69	0.79	0.55	0.65	0.74	0.74	0.84	0.59	0.69	0.78	0.78	0.89	0.62	0.73	0.83	0.83	0.94
		PI	1.00	1.00	1.00	1.00	1.00	1.06	1.06	1.06	1.06	1.06	1.12	1.13	1.13	1.13	1.13	1.19	1.19	1.19	1.20	1.20
	82°F (27.8°C)	TC	20832	20860	20883	20884	20912	22088	22114	22136	22140	22167	23408	23438	23464	23468	23495	24818	24845	24872	24876	24907
		S/T	0.53	0.62	0.70	0.70	0.80	0.56	0.66	0.75	0.75	0.85	0.59	0.70	0.79	0.79	0.90	0.63	0.74	0.84	0.84	0.95
		PI	1.14	1.14	1.14	1.14	1.14	1.21	1.21	1.21	1.21	1.21	1.28	1.28	1.28	1.28	1.29	1.36	1.36	1.36	1.36	1.36
	86°F (30°C)	TC	20695	20722	20745	20746	20774	21942	21968	21989	21994	22020	23253	23283	23309	23313	23339	24654	24680	24707	24711	24742
		S/T	0.53	0.63	0.71	0.71	0.81	0.57	0.66	0.75	0.75	0.86	0.60	0.70	0.80	0.80	0.91	0.64	0.75	0.85	0.85	0.97
		PI	1.35	1.35	1.35	1.35	1.35	1.43	1.43	1.43	1.43	1.44	1.52	1.52	1.52	1.52	1.52	1.61	1.61	1.61	1.61	1.61
	95°F (35°C)	TC	20384	20412	20434	20435	20462	21613	21638	21660	21664	21690	22904	22934	22959	22964	22989	24284	24310	24337	24341	24371
		S/T	0.53	0.63	0.71	0.71	0.81	0.57	0.66	0.75	0.75	0.86	0.60	0.70	0.80	0.80	0.91	0.64	0.75	0.85	0.85	0.97
		PI	1.82	1.82	1.82	1.82	1.83	1.93	1.93	1.93	1.93	1.94	2.05	2.05	2.05	2.05	2.05	2.17	2.17	2.17	2.17	2.18
	104°F (40°C)	TC	18107	18131	18151	18151	18176	19198	19221	19240	19243	19266	20345	20371	20394	20398	20421	21571	21594	21618	21621	21648
		S/T	0.55	0.64	0.73	0.73	0.83	0.58	0.68	0.77	0.77	0.88	0.62	0.72	0.82	0.82	0.93	0.65	0.76	0.87	0.87	0.99
		PI	1.91	1.91	1.91	1.91	1.92	2.02	2.03	2.03	2.03	2.03	2.14	2.15	2.15	2.15	2.15	2.27	2.28	2.28	2.28	2.28
110°F (43°C)	TC	16740	16763	16781	16781	16804	17749	17770	17787	17791	17812	18809	18834	18855	18858	18879	19943	19964	19986	19989	20014	
	S/T	0.57	0.67	0.76	0.76	0.86	0.60	0.71	0.80	0.80	0.91	0.64	0.75	0.85	0.85	0.97	0.68	0.79	0.90	0.90	1.00	
	PI	1.96	1.96	1.97	1.97	1.97	2.08	2.08	2.08	2.08	2.09	2.20	2.21	2.21	2.21	2.21	2.34	2.34	2.34	2.34	2.34	
115°F (46°C)	TC	15394	15414	15431	15432	15453	16321	16341	16357	16360	16380	17297	17319	17338	17342	17361	18339	18359	18379	18381	18404	
	S/T	0.57	0.67	0.77	0.77	0.87	0.61	0.71	0.81	0.81	0.92	0.65	0.76	0.86	0.86	0.98	0.68	0.80	0.91	0.91	1.00	
	PI	1.88	1.88	1.89	1.89	1.89	2.00	2.00	2.00	2.00	2.00	2.11	2.12	2.12	2.12	2.12	2.24	2.24	2.25	2.25	2.25	
122°F (50°C)	TC	13599	13617	13632	13632	13651	14418	14435	14449	14452	14470	15280	15299	15316	15319	15336	16200	16218	16235	16238	16258	
	S/T	0.59	0.69	0.78	0.78	0.89	0.62	0.73	0.83	0.83	0.95	0.66	0.77	0.88	0.88	1.00	0.70	0.82	0.93	0.93	1.00	
	PI	1.78	1.78	1.78	1.78	1.78	1.88	1.88	1.89	1.89	1.89	2.00	2.00	2.00	2.00	2.00	2.12	2.12	2.12	2.12	2.12	

TC:Total Cooling Capacity (BTU/hr)

S/T:Sensible Cooling Capacity Ratio

PI:Power Input(kW)

18MPHP-HH-SYS-B Expanded Heating @ 490 CFM

CFM	HEATING PERFORMANCE AT INDOOR DRY BULB TEMPERATURE										
	ODDB	TC : Total Heating Capacity(BTU/hr)					PI : Power Input(kW)				
		Indoor Conditions (DB °F)					Indoor Conditions (DB °F)				
		60.8°F	68°F	70°F	71.6°F	75.2°F	60.8°F	68°F	70°F	71.6°F	75.2°F
490	-22°F	9906	9707	9659	9546	9460	2.05	2.06	2.07	2.07	2.08
	-13°F	12966	12706	12643	12015	11907	2.27	2.29	2.29	2.30	2.31
	-4°F	15395	15087	15011	14266	14138	2.45	2.47	2.48	2.48	2.49
	0°F	16631	16299	16217	15412	15273	2.56	2.58	2.58	2.59	2.60
	5°F	18177	17814	17725	16845	16693	2.68	2.71	2.71	2.72	2.73
	14°F	19502	19111	19016	18072	17909	2.65	2.67	2.68	2.69	2.70
	17°F	19943	19544	19446	18481	18314	2.64	2.66	2.67	2.67	2.69
	22°F	19335	18948	18854	17918	17756	2.44	2.46	2.46	2.47	2.48
	27°F	18727	18353	18261	17354	17198	2.23	2.25	2.25	2.26	2.27
	32°F	18120	17757	17668	16791	16640	2.03	2.04	2.05	2.05	2.06
	35°F	17755	17400	17313	16453	16305	1.90	1.92	1.92	1.93	1.93
	37°F	18188	17825	17735	16855	16703	1.88	1.90	1.90	1.91	1.92
	42°F	19272	18887	18792	17859	17699	1.84	1.85	1.86	1.86	1.87
	44.6°F	19706	19312	19215	18261	18097	1.82	1.83	1.84	1.84	1.85
	47°F	20356	19949	19849	18864	18694	1.79	1.80	1.81	1.81	1.82
	52°F	18515	18144	18054	17157	17003	1.63	1.64	1.64	1.65	1.65
	57°F	16673	16340	16258	15451	15312	1.46	1.47	1.48	1.48	1.49
59°F	15937	15618	15540	14768	14636	1.40	1.41	1.41	1.41	1.42	
62°F	14832	14535	14463	13745	13621	1.30	1.31	1.31	1.32	1.32	
64.4°F	14096	13814	13745	13062	12945	1.23	1.24	1.25	1.25	1.25	

18MPHP-HH-SYS-B Expanded Heating @ 530 CFM

CFM	HEATING PERFORMANCE AT INDOOR DRY BULB TEMPERATURE										
	ODDB	TC : Total Heating Capacity(BTU/hr)					PI : Power Input(kW)				
		Indoor Conditions (DB °F)					Indoor Conditions (DB °F)				
		60.8°F	68°F	70°F	71.6°F	75.2°F	60.8°F	68°F	70°F	71.6°F	75.2°F
530	-22°F	10484	10274	10223	10143	10051	2.07	2.09	2.09	2.09	2.10
	-13°F	13456	13187	13121	12765	12651	2.29	2.31	2.32	2.32	2.33
	-4°F	15977	15657	15579	15157	15021	2.48	2.50	2.50	2.51	2.52
	0°F	17261	16915	16831	16375	16227	2.58	2.60	2.61	2.61	2.62
	5°F	18865	18488	18395	17897	17736	2.71	2.73	2.74	2.74	2.75
	14°F	20239	19834	19735	19201	19028	2.68	2.70	2.71	2.71	2.72
	17°F	20697	20283	20182	19635	19458	2.67	2.69	2.70	2.70	2.71
	22°F	20067	19665	19567	19037	18865	2.46	2.48	2.49	2.49	2.50
	27°F	19436	19047	18952	18438	18272	2.25	2.27	2.28	2.28	2.29
	32°F	18805	18429	18337	17840	17679	2.05	2.06	2.07	2.07	2.08
	35°F	18427	18058	17968	17481	17324	1.92	1.94	1.94	1.95	1.95
	37°F	18876	18499	18406	17908	17747	1.90	1.92	1.92	1.93	1.93
	42°F	20001	19601	19503	18975	18804	1.86	1.87	1.87	1.88	1.89
	44.6°F	20451	20042	19942	19402	19227	1.84	1.85	1.86	1.86	1.87
	47°F	21126	20704	20600	20042	19862	1.81	1.82	1.83	1.83	1.84
	52°F	19215	18831	18737	18229	18065	1.64	1.66	1.66	1.66	1.67
	57°F	17304	16958	16873	16416	16268	1.48	1.49	1.49	1.50	1.50
59°F	16540	16209	16128	15691	15550	1.41	1.42	1.43	1.43	1.43	
62°F	15393	15085	15010	14603	14472	1.31	1.32	1.33	1.33	1.33	
64.4°F	14629	14336	14265	13878	13753	1.25	1.26	1.26	1.26	1.27	

18MPHP-HH-SYS-B Expanded Heating @ 580 CFM

CFM	HEATING PERFORMANCE AT INDOOR DRY BULB TEMPERATURE										
	ODDB	TC : Total Heating Capacity(BTU/hr)					PI : Power Input(kW)				
		Indoor Conditions (DB °F)					Indoor Conditions (DB °F)				
		60.8°F	68°F	70°F	71.6°F	75.2°F	60.8°F	68°F	70°F	71.6°F	75.2°F
580	-22°F	11096	10874	10820	10776	10679	2.09	2.11	2.11	2.11	2.12
	-13°F	13965	13686	13617	13563	13441	2.32	2.33	2.34	2.34	2.35
	-4°F	16581	16250	16169	16104	15959	2.50	2.52	2.53	2.53	2.54
	0°F	17914	17555	17468	17398	17241	2.61	2.63	2.63	2.64	2.65
	5°F	19579	19187	19091	19015	18844	2.74	2.76	2.77	2.77	2.78
	14°F	21005	20585	20482	20400	20216	2.71	2.73	2.73	2.74	2.75
	17°F	21480	21051	20945	20862	20674	2.70	2.72	2.72	2.73	2.74
	22°F	20826	20409	20307	20226	20044	2.49	2.51	2.51	2.52	2.53
	27°F	20171	19768	19669	19590	19414	2.28	2.30	2.30	2.31	2.31
	32°F	19516	19126	19030	18954	18784	2.07	2.08	2.09	2.09	2.10
	35°F	19124	18741	18647	18573	18406	1.94	1.96	1.96	1.97	1.97
	37°F	19591	19199	19103	19026	18855	1.92	1.94	1.94	1.95	1.95
	42°F	20758	20343	20241	20160	19979	1.87	1.89	1.89	1.90	1.90
	44.6°F	21225	20800	20696	20614	20428	1.86	1.87	1.87	1.88	1.89
	47°F	21925	21487	21379	21294	21102	1.83	1.84	1.84	1.85	1.86
	52°F	19942	19543	19446	19368	19193	1.66	1.67	1.68	1.68	1.69
	57°F	17959	17600	17512	17442	17285	1.49	1.50	1.51	1.51	1.52
59°F	17166	16822	16738	16671	16521	1.43	1.44	1.44	1.44	1.45	
62°F	15976	15656	15578	15515	15376	1.33	1.34	1.34	1.34	1.35	
64.4°F	15182	14879	14804	14745	14612	1.26	1.27	1.27	1.27	1.28	

18MPHP-HH-SYS-B Expanded Heating @ 620 CFM

CFM	HEATING PERFORMANCE AT INDOOR DRY BULB TEMPERATURE										
	ODDB	TC : Total Heating Capacity(BTU/hr)					PI : Power Input(kW)				
		Indoor Conditions (DB °F)					Indoor Conditions (DB °F)				
		60.8°F	68°F	70°F	71.6°F	75.2°F	60.8°F	68°F	70°F	71.6°F	75.2°F
620	-22°F	11516	11285	11229	11184	11083	2.11	2.13	2.13	2.14	2.14
	-13°F	14493	14204	14133	14076	13949	2.34	2.36	2.36	2.37	2.38
	-4°F	17209	16865	16780	16713	16563	2.53	2.55	2.55	2.56	2.57
	0°F	18591	18219	18128	18056	17893	2.63	2.66	2.66	2.67	2.68
	5°F	20319	19913	19813	19734	19557	2.77	2.79	2.79	2.80	2.81
	14°F	21800	21364	21257	21172	20981	2.73	2.76	2.76	2.77	2.78
	17°F	22293	21847	21738	21651	21456	2.72	2.75	2.75	2.76	2.77
	22°F	21614	21181	21075	20991	20802	2.51	2.53	2.54	2.54	2.55
	27°F	20934	20515	20413	20331	20148	2.30	2.32	2.32	2.33	2.34
	32°F	20255	19850	19750	19671	19494	2.09	2.11	2.11	2.11	2.12
	35°F	19847	19450	19353	19275	19102	1.96	1.98	1.98	1.99	1.99
	37°F	20332	19925	19825	19746	19568	1.94	1.96	1.96	1.97	1.97
	42°F	21543	21112	21007	20923	20734	1.89	1.91	1.91	1.92	1.92
	44.6°F	22028	21587	21479	21393	21201	1.87	1.89	1.89	1.90	1.90
	47°F	22755	22300	22188	22099	21901	1.84	1.86	1.86	1.87	1.87
	52°F	20697	20283	20181	20100	19920	1.68	1.69	1.69	1.70	1.70
	57°F	18638	18265	18174	18101	17939	1.51	1.52	1.52	1.53	1.53
59°F	17815	17459	17371	17302	17146	1.44	1.45	1.46	1.46	1.46	
62°F	16580	16248	16167	16102	15957	1.34	1.35	1.35	1.36	1.36	
64.4°F	15757	15441	15364	15303	15165	1.27	1.28	1.29	1.29	1.29	

24MPHP-HH-SYS-B Expanded Cooling @ 629 CFM

CFM	OD DB (°F)	ID WB ID DB	60.8°F (16.0°C)					64.4°F (18.0°C)					67°F (19.4°C)					71.6°F (22.0°C)				
			73.4°F	77.0°F	80.0°F	80.6°F	84.2°F	73.4°F	77.0°F	80.0°F	80.6°F	84.2°F	73.4°F	77.0°F	80.0°F	80.6°F	84.2°F	73.4°F	77.0°F	80.0°F	80.6°F	84.2°F
			23.0°C	25.0°C	26.7°C	27.0°C	29.0°C	23.0°C	25.0°C	26.7°C	27.0°C	29.0°C	23.0°C	25.0°C	26.7°C	27.0°C	29.0°C	23.0°C	25.0°C	26.7°C	27.0°C	29.0°C
629	50°F (10°C)	TC	17667	17691	17710	17710	17734	18731	18754	18772	18776	18798	19851	19876	19898	19902	19924	21047	21069	21092	21096	21122
		S/T	0.43	0.50	0.57	0.57	0.65	0.45	0.53	0.60	0.60	0.69	0.48	0.56	0.64	0.64	0.73	0.51	0.60	0.68	0.68	0.77
		PI	0.81	0.81	0.82	0.82	0.82	0.86	0.86	0.86	0.86	0.87	0.91	0.92	0.92	0.92	0.92	0.97	0.97	0.97	0.97	0.97
	59°F (15°C)	TC	17512	17535	17554	17555	17579	18567	18589	18607	18611	18633	19676	19702	19724	19727	19749	20862	20884	20907	20910	20937
		S/T	0.43	0.50	0.57	0.57	0.65	0.45	0.53	0.60	0.60	0.69	0.48	0.56	0.64	0.64	0.73	0.51	0.60	0.68	0.68	0.77
		PI	0.84	0.85	0.85	0.85	0.85	0.90	0.90	0.90	0.90	0.90	0.95	0.95	0.95	0.95	0.95	1.01	1.01	1.01	1.01	1.01
	68°F (20°C)	TC	17357	17380	17399	17399	17423	18403	18424	18443	18446	18468	19502	19527	19549	19553	19575	20677	20700	20722	20725	20751
		S/T	0.44	0.52	0.59	0.59	0.67	0.47	0.55	0.62	0.62	0.71	0.49	0.58	0.66	0.66	0.75	0.52	0.61	0.70	0.70	0.80
		PI	0.88	0.88	0.88	0.88	0.88	0.93	0.93	0.93	0.93	0.93	0.98	0.98	0.99	0.99	0.99	1.04	1.04	1.05	1.05	1.05
	77°F (25°C)	TC	17201	17225	17243	17244	17267	18238	18260	18278	18281	18303	19328	19353	19374	19378	19400	20492	20515	20537	20540	20566
		S/T	0.45	0.52	0.59	0.59	0.68	0.47	0.55	0.63	0.63	0.72	0.50	0.59	0.67	0.67	0.76	0.53	0.62	0.71	0.71	0.81
		PI	0.91	0.91	0.91	0.91	0.91	0.96	0.96	0.96	0.96	0.96	1.02	1.02	1.02	1.02	1.02	1.08	1.08	1.08	1.08	1.08
	82°F (27.8°C)	TC	17673	17696	17715	17716	17740	18738	18760	18778	18782	18804	19857	19883	19905	19909	19931	21054	21076	21099	21103	21129
		S/T	0.45	0.53	0.60	0.60	0.69	0.48	0.56	0.64	0.64	0.73	0.51	0.59	0.68	0.68	0.77	0.54	0.63	0.72	0.72	0.82
		PI	1.08	1.08	1.08	1.08	1.08	1.15	1.15	1.15	1.15	1.15	1.21	1.22	1.22	1.22	1.22	1.29	1.29	1.29	1.29	1.29
	86°F (30°C)	TC	18753	18778	18798	18799	18825	19883	19907	19926	19930	19954	21071	21098	21122	21126	21149	22340	22365	22389	22393	22420
		S/T	0.46	0.54	0.61	0.61	0.69	0.48	0.57	0.65	0.65	0.74	0.51	0.60	0.68	0.68	0.78	0.54	0.64	0.72	0.72	0.83
		PI	1.42	1.42	1.42	1.42	1.42	1.50	1.50	1.51	1.51	1.51	1.59	1.59	1.60	1.60	1.60	1.69	1.69	1.69	1.69	1.69
	95°F (35°C)	TC	21183	21212	21235	21236	21264	22460	22487	22509	22513	22540	23802	23833	23859	23864	23890	25236	25263	25291	25295	25326
		S/T	0.46	0.54	0.61	0.61	0.69	0.48	0.57	0.65	0.65	0.74	0.51	0.60	0.68	0.68	0.78	0.54	0.64	0.72	0.72	0.83
		PI	2.18	2.18	2.18	2.18	2.18	2.31	2.31	2.31	2.31	2.31	2.44	2.45	2.45	2.45	2.45	2.59	2.59	2.60	2.60	2.60
	104°F (40°C)	TC	19827	19854	19875	19876	19903	21022	21047	21068	21072	21097	22278	22307	22332	22336	22361	23620	23646	23672	23675	23705
		S/T	0.47	0.55	0.62	0.62	0.71	0.50	0.58	0.66	0.66	0.75	0.53	0.62	0.70	0.70	0.80	0.56	0.65	0.74	0.74	0.85
		PI	2.17	2.18	2.18	2.18	2.18	2.30	2.31	2.31	2.31	2.31	2.44	2.44	2.45	2.45	2.45	2.59	2.59	2.59	2.59	2.60
110°F (43°C)	TC	19013	19039	19059	19060	19086	20159	20183	20203	20207	20231	21364	21391	21415	21419	21443	22651	22675	22700	22704	22732	
	S/T	0.49	0.57	0.65	0.65	0.74	0.51	0.60	0.69	0.69	0.78	0.54	0.64	0.73	0.73	0.83	0.58	0.68	0.77	0.77	0.88	
	PI	2.17	2.17	2.18	2.18	2.18	2.30	2.31	2.31	2.31	2.31	2.44	2.44	2.45	2.45	2.45	2.59	2.59	2.59	2.59	2.60	
115°F (46°C)	TC	16190	16212	16229	16230	16252	17165	17186	17203	17206	17227	18191	18215	18235	18238	18259	19287	19308	19329	19332	19356	
	S/T	0.49	0.58	0.65	0.65	0.75	0.52	0.61	0.69	0.69	0.79	0.55	0.65	0.74	0.74	0.84	0.58	0.69	0.78	0.78	0.89	
	PI	1.96	1.96	1.97	1.97	1.97	2.08	2.08	2.08	2.08	2.09	2.20	2.21	2.21	2.21	2.21	2.34	2.34	2.34	2.34	2.34	
122°F (50°C)	TC	12425	12442	12455	12456	12473	13174	13190	13203	13205	13221	13961	13979	13995	13997	14013	14802	14818	14834	14837	14855	
	S/T	0.50	0.59	0.67	0.67	0.76	0.53	0.62	0.71	0.71	0.81	0.56	0.66	0.75	0.75	0.86	0.60	0.70	0.80	0.80	0.91	
	PI	1.68	1.68	1.68	1.68	1.69	1.78	1.78	1.78	1.78	1.79	1.89	1.89	1.89	1.89	1.89	2.00	2.00	2.00	2.00	2.01	

TC:Total Cooling Capacity (BTU/hr)

S/T:Sensible Cooling Capacity Ratio

PI:Power Input(kW)

24MPHP-HH-SYS-B Expanded Cooling @ 694 CFM

CFM	OD DB (°F)	ID WB	60.8°F (16.0°C)					64.4°F (18.0°C)					67°F (19.4°C)					71.6°F (22.0°C)				
			73.4°F	77.0°F	80.0°F	80.6°F	84.2°F	73.4°F	77.0°F	80.0°F	80.6°F	84.2°F	73.4°F	77.0°F	80.0°F	80.6°F	84.2°F	73.4°F	77.0°F	80.0°F	80.6°F	84.2°F
			23.0°C	25.0°C	26.7°C	27.0°C	29.0°C	23.0°C	25.0°C	26.7°C	27.0°C	29.0°C	23.0°C	25.0°C	26.7°C	27.0°C	29.0°C	23.0°C	25.0°C	26.7°C	27.0°C	29.0°C
694	50°F (10°C)	TC	18615	18640	18660	18661	18686	19737	19760	19779	19783	19807	20916	20943	20966	20970	20994	22176	22200	22224	22228	22255
		S/T	0.45	0.53	0.60	0.60	0.68	0.48	0.56	0.63	0.63	0.72	0.50	0.59	0.67	0.67	0.77	0.53	0.63	0.71	0.71	0.81
		PI	0.86	0.86	0.86	0.86	0.86	0.91	0.91	0.91	0.91	0.91	0.96	0.96	0.97	0.97	0.97	1.02	1.02	1.02	1.02	1.02
	59°F (15°C)	TC	18451	18476	18496	18497	18522	19563	19586	19606	19610	19633	20732	20759	20782	20786	20809	21981	22005	22029	22033	22060
		S/T	0.45	0.53	0.60	0.60	0.69	0.48	0.56	0.64	0.64	0.73	0.51	0.59	0.68	0.68	0.77	0.54	0.63	0.72	0.72	0.82
		PI	0.89	0.89	0.89	0.89	0.89	0.94	0.94	0.95	0.95	0.95	1.00	1.00	1.00	1.00	1.00	1.06	1.06	1.06	1.06	1.06
	68°F (20°C)	TC	18288	18313	18332	18333	18358	19390	19413	19432	19436	19459	20549	20575	20598	20602	20625	21787	21810	21834	21837	21865
		S/T	0.46	0.54	0.62	0.62	0.70	0.49	0.58	0.65	0.65	0.75	0.52	0.61	0.69	0.69	0.79	0.55	0.65	0.74	0.74	0.84
		PI	0.92	0.92	0.92	0.92	0.93	0.98	0.98	0.98	0.98	0.98	1.04	1.04	1.04	1.04	1.04	1.10	1.10	1.10	1.10	1.10
	77°F (25°C)	TC	18125	18149	18168	18169	18194	19217	19240	19259	19262	19285	20365	20391	20414	20418	20441	21592	21615	21639	21642	21669
		S/T	0.47	0.55	0.63	0.63	0.71	0.50	0.58	0.66	0.66	0.76	0.53	0.62	0.70	0.70	0.80	0.56	0.66	0.74	0.74	0.85
		PI	0.95	0.96	0.96	0.96	0.96	1.01	1.01	1.01	1.01	1.02	1.07	1.07	1.08	1.08	1.08	1.14	1.14	1.14	1.14	1.14
	82°F (27.8°C)	TC	18621	18646	18666	18667	18692	19743	19767	19786	19790	19813	20923	20950	20973	20977	21001	22183	22207	22232	22235	22263
		S/T	0.47	0.56	0.63	0.63	0.72	0.50	0.59	0.67	0.67	0.77	0.53	0.63	0.71	0.71	0.81	0.57	0.66	0.75	0.75	0.86
		PI	1.14	1.14	1.14	1.14	1.14	1.21	1.21	1.21	1.21	1.21	1.28	1.28	1.28	1.28	1.28	1.36	1.36	1.36	1.36	1.36
	86°F (30°C)	TC	19759	19786	19807	19808	19835	20950	20975	20996	21000	21025	22202	22230	22255	22259	22284	23539	23565	23591	23594	23624
		S/T	0.48	0.56	0.64	0.64	0.73	0.51	0.60	0.68	0.68	0.77	0.54	0.63	0.72	0.72	0.82	0.57	0.67	0.76	0.76	0.87
		PI	1.49	1.50	1.50	1.50	1.50	1.58	1.59	1.59	1.59	1.59	1.68	1.68	1.68	1.68	1.68	1.78	1.78	1.78	1.78	1.79
	95°F (35°C)	TC	22320	22350	22374	22375	22405	23665	23693	23717	23721	23750	25079	25112	25140	25144	25172	26590	26619	26648	26652	26685
		S/T	0.48	0.56	0.64	0.64	0.73	0.51	0.60	0.68	0.68	0.77	0.54	0.63	0.72	0.72	0.82	0.57	0.67	0.76	0.76	0.87
		PI	2.29	2.30	2.30	2.30	2.30	2.43	2.43	2.44	2.44	2.44	2.58	2.58	2.58	2.58	2.58	2.73	2.73	2.74	2.74	2.74
	104°F (40°C)	TC	20891	20919	20942	20943	20971	22150	22176	22198	22203	22229	23473	23504	23530	23534	23561	24888	24915	24942	24946	24977
		S/T	0.49	0.58	0.66	0.66	0.75	0.52	0.61	0.70	0.70	0.79	0.55	0.65	0.74	0.74	0.84	0.59	0.69	0.78	0.78	0.89
		PI	2.29	2.29	2.30	2.30	2.30	2.43	2.43	2.43	2.43	2.44	2.57	2.58	2.58	2.58	2.58	2.73	2.73	2.73	2.73	2.74
110°F (43°C)	TC	20034	20061	20082	20083	20110	21241	21266	21287	21291	21317	22510	22539	22564	22568	22594	23866	23892	23918	23922	23952	
	S/T	0.51	0.60	0.68	0.68	0.78	0.54	0.64	0.72	0.72	0.82	0.57	0.67	0.77	0.77	0.87	0.61	0.71	0.81	0.81	0.93	
	PI	2.29	2.29	2.29	2.29	2.30	2.43	2.43	2.43	2.43	2.43	2.57	2.57	2.58	2.58	2.58	2.73	2.73	2.73	2.73	2.74	
115°F (46°C)	TC	17059	17082	17100	17101	17124	18087	18108	18126	18130	18151	19167	19192	19213	19217	19238	20322	20344	20366	20369	20395	
	S/T	0.52	0.61	0.69	0.69	0.79	0.55	0.64	0.73	0.73	0.83	0.58	0.68	0.77	0.77	0.88	0.62	0.72	0.82	0.82	0.94	
	PI	2.07	2.07	2.07	2.07	2.07	2.19	2.19	2.19	2.20	2.20	2.32	2.32	2.33	2.33	2.33	2.46	2.46	2.47	2.47	2.47	
122°F (50°C)	TC	13092	13110	13124	13124	13142	13881	13897	13911	13914	13930	14710	14729	14746	14748	14765	15597	15614	15631	15633	15652	
	S/T	0.53	0.62	0.71	0.71	0.80	0.56	0.66	0.75	0.75	0.85	0.59	0.70	0.79	0.79	0.90	0.63	0.74	0.84	0.84	0.96	
	PI	1.77	1.77	1.77	1.77	1.78	1.88	1.88	1.88	1.88	1.88	1.99	1.99	1.99	1.99	2.00	2.11	2.11	2.11	2.11	2.11	

TC:Total Cooling Capacity (BTU/hr)

S/T:Sensible Cooling Capacity Ratio

PI:Power Input(kW)

24MPHP-HH-SYS-B Expanded Cooling @ 759 CFM

CFM	OD DB (°F)	ID WB ID DB	60.8°F (16.0°C)					64.4°F (18.0°C)					67°F (19.4°C)					71.6°F (22.0°C)				
			73.4°F	77.0°F	80.0°F	80.6°F	84.2°F	73.4°F	77.0°F	80.0°F	80.6°F	84.2°F	73.4°F	77.0°F	80.0°F	80.6°F	84.2°F	73.4°F	77.0°F	80.0°F	80.6°F	84.2°F
			23.0°C	25.0°C	26.7°C	27.0°C	29.0°C	23.0°C	25.0°C	26.7°C	27.0°C	29.0°C	23.0°C	25.0°C	26.7°C	27.0°C	29.0°C	23.0°C	25.0°C	26.7°C	27.0°C	29.0°C
759	50°F (10°C)	TC	19614	19640	19661	19662	19689	20796	20820	20841	20845	20870	22038	22067	22091	22095	22120	23366	23391	23417	23420	23450
		S/T	0.47	0.55	0.63	0.63	0.72	0.50	0.59	0.67	0.67	0.76	0.53	0.62	0.71	0.71	0.81	0.56	0.66	0.75	0.75	0.86
		PI	0.90	0.90	0.91	0.91	0.91	0.96	0.96	0.96	0.96	0.96	1.01	1.02	1.02	1.02	1.02	1.08	1.08	1.08	1.08	1.08
	59°F (15°C)	TC	19441	19468	19489	19489	19516	20613	20638	20658	20662	20687	21845	21873	21897	21901	21926	23161	23186	23211	23215	23244
		S/T	0.48	0.56	0.63	0.63	0.72	0.50	0.59	0.67	0.67	0.77	0.53	0.63	0.71	0.71	0.81	0.57	0.66	0.75	0.75	0.86
		PI	0.94	0.94	0.94	0.94	0.94	0.99	1.00	1.00	1.00	1.00	1.05	1.05	1.06	1.06	1.06	1.12	1.12	1.12	1.12	1.12
	68°F (20°C)	TC	19269	19295	19316	19317	19343	20431	20455	20475	20479	20503	21651	21679	21703	21707	21732	22956	22981	23006	23009	23038
		S/T	0.49	0.57	0.65	0.65	0.74	0.52	0.61	0.69	0.69	0.79	0.55	0.64	0.73	0.73	0.83	0.58	0.68	0.77	0.77	0.88
		PI	0.97	0.97	0.97	0.97	0.98	1.03	1.03	1.03	1.03	1.03	1.09	1.09	1.09	1.09	1.10	1.16	1.16	1.16	1.16	1.16
	77°F (25°C)	TC	19097	19123	19143	19144	19170	20248	20272	20292	20296	20320	21458	21486	21510	21514	21538	22751	22775	22800	22804	22832
		S/T	0.49	0.58	0.66	0.66	0.75	0.52	0.61	0.70	0.70	0.80	0.56	0.65	0.74	0.74	0.84	0.59	0.69	0.78	0.78	0.89
		PI	1.01	1.01	1.01	1.01	1.01	1.07	1.07	1.07	1.07	1.07	1.13	1.13	1.13	1.13	1.13	1.20	1.20	1.20	1.20	1.20
	82°F (27.8°C)	TC	19620	19647	19668	19669	19695	20803	20827	20848	20852	20877	22045	22074	22099	22103	22127	23374	23399	23425	23428	23457
		S/T	0.50	0.59	0.67	0.67	0.76	0.53	0.62	0.71	0.71	0.81	0.56	0.66	0.75	0.75	0.85	0.60	0.70	0.79	0.79	0.91
		PI	1.20	1.20	1.20	1.20	1.20	1.27	1.27	1.27	1.27	1.28	1.35	1.35	1.35	1.35	1.35	1.43	1.43	1.43	1.43	1.43
	86°F (30°C)	TC	20819	20847	20870	20871	20899	22074	22100	22122	22127	22153	23393	23423	23449	23454	23480	24802	24829	24856	24860	24891
		S/T	0.51	0.59	0.68	0.68	0.77	0.54	0.63	0.72	0.72	0.82	0.57	0.67	0.76	0.76	0.87	0.60	0.71	0.80	0.80	0.92
		PI	1.57	1.58	1.58	1.58	1.58	1.67	1.67	1.67	1.67	1.67	1.77	1.77	1.77	1.77	1.77	1.87	1.88	1.88	1.88	1.88
	95°F (35°C)	TC	23518	23550	23575	23576	23608	24935	24965	24989	24994	25024	26425	26459	26489	26494	26523	28017	28048	28078	28082	28117
		S/T	0.51	0.59	0.68	0.68	0.77	0.54	0.63	0.72	0.72	0.82	0.57	0.67	0.76	0.76	0.87	0.60	0.71	0.80	0.80	0.92
		PI	2.41	2.42	2.42	2.42	2.42	2.56	2.56	2.57	2.57	2.57	2.71	2.72	2.72	2.72	2.72	2.88	2.88	2.88	2.88	2.89
	104°F (40°C)	TC	22012	22042	22065	22066	22096	23339	23366	23389	23394	23422	24733	24765	24793	24797	24825	26223	26252	26280	26284	26317
		S/T	0.52	0.61	0.69	0.69	0.79	0.55	0.65	0.73	0.73	0.84	0.58	0.68	0.78	0.78	0.89	0.62	0.73	0.82	0.83	0.94
		PI	2.41	2.42	2.42	2.42	2.42	2.56	2.56	2.56	2.56	2.57	2.71	2.71	2.72	2.72	2.72	2.87	2.88	2.88	2.88	2.88
110°F (43°C)	TC	21109	21137	21160	21161	21189	22381	22407	22429	22434	22460	23718	23749	23775	23780	23806	25147	25174	25202	25206	25237	
	S/T	0.54	0.63	0.72	0.72	0.82	0.57	0.67	0.76	0.76	0.87	0.61	0.71	0.81	0.81	0.92	0.64	0.75	0.86	0.86	0.97	
	PI	2.41	2.41	2.42	2.42	2.42	2.56	2.56	2.56	2.56	2.57	2.71	2.71	2.72	2.72	2.72	2.87	2.88	2.88	2.88	2.88	
115°F (46°C)	TC	17974	17998	18018	18018	18043	19057	19080	19099	19102	19125	20196	20222	20244	20248	20271	21413	21436	21459	21463	21489	
	S/T	0.54	0.64	0.73	0.73	0.83	0.58	0.68	0.77	0.77	0.88	0.61	0.72	0.82	0.82	0.93	0.65	0.76	0.87	0.87	0.99	
	PI	2.18	2.18	2.18	2.18	2.18	2.31	2.31	2.31	2.31	2.32	2.45	2.45	2.45	2.45	2.45	2.59	2.60	2.60	2.60	2.60	
122°F (50°C)	TC	13794	13813	13828	13829	13847	14626	14643	14658	14660	14678	15500	15520	15537	15540	15557	16433	16451	16469	16472	16492	
	S/T	0.56	0.65	0.74	0.74	0.85	0.59	0.69	0.79	0.79	0.90	0.63	0.73	0.84	0.84	0.95	0.66	0.78	0.89	0.89	1.00	
	PI	1.86	1.87	1.87	1.87	1.87	1.98	1.98	1.98	1.98	1.98	2.09	2.10	2.10	2.10	2.10	2.22	2.22	2.23	2.23	2.23	

TC:Total Cooling Capacity (BTU/hr)

S/T:Sensible Cooling Capacity Ratio

PI:Power Input(kW)

24MPHP-HH-SYS-B Expanded Cooling @ 824 CFM

CFM	OD DB (°F)	ID WB ID DB	60.8°F (16.0°C)					64.4°F (18.0°C)					67°F (19.4°C)					71.6°F (22.0°C)				
			73.4°F	77.0°F	80.0°F	80.6°F	84.2°F	73.4°F	77.0°F	80.0°F	80.6°F	84.2°F	73.4°F	77.0°F	80.0°F	80.6°F	84.2°F	73.4°F	77.0°F	80.0°F	80.6°F	84.2°F
			23.0°C	25.0°C	26.7°C	27.0°C	29.0°C	23.0°C	25.0°C	26.7°C	27.0°C	29.0°C	23.0°C	25.0°C	26.7°C	27.0°C	29.0°C	23.0°C	25.0°C	26.7°C	27.0°C	29.0°C
824	50°F (10°C)	TC	20666	20694	20716	20717	20745	21912	21938	21959	21964	21990	23221	23251	23277	23281	23307	24620	24647	24673	24677	24708
		S/T	0.50	0.58	0.66	0.66	0.76	0.53	0.62	0.70	0.70	0.80	0.56	0.66	0.75	0.75	0.85	0.59	0.70	0.79	0.79	0.90
		PI	0.95	0.95	0.95	0.95	0.96	1.01	1.01	1.01	1.01	1.01	1.07	1.07	1.07	1.07	1.07	1.13	1.13	1.14	1.14	1.14
	59°F (15°C)	TC	20485	20512	20534	20535	20563	21719	21745	21766	21771	21797	23017	23047	23072	23077	23102	24404	24430	24457	24461	24491
		S/T	0.50	0.59	0.67	0.67	0.76	0.53	0.62	0.71	0.71	0.81	0.56	0.66	0.75	0.75	0.86	0.60	0.70	0.80	0.80	0.91
		PI	0.99	0.99	0.99	0.99	0.99	1.05	1.05	1.05	1.05	1.05	1.11	1.11	1.11	1.11	1.11	1.18	1.18	1.18	1.18	1.18
	68°F (20°C)	TC	20303	20331	20353	20353	20381	21527	21552	21574	21578	21604	22813	22843	22868	22872	22898	24188	24214	24240	24244	24274
		S/T	0.51	0.60	0.69	0.69	0.78	0.54	0.64	0.73	0.73	0.83	0.58	0.68	0.77	0.77	0.88	0.61	0.72	0.82	0.82	0.93
		PI	1.02	1.03	1.03	1.03	1.03	1.09	1.09	1.09	1.09	1.09	1.15	1.15	1.15	1.15	1.15	1.22	1.22	1.22	1.22	1.22
	77°F (25°C)	TC	20122	20149	20171	20172	20199	21335	21360	21381	21385	21410	22609	22639	22664	22668	22693	23971	23997	24024	24027	24057
		S/T	0.52	0.61	0.69	0.69	0.79	0.55	0.65	0.74	0.74	0.84	0.59	0.69	0.78	0.78	0.89	0.62	0.73	0.83	0.83	0.94
		PI	1.06	1.06	1.06	1.06	1.06	1.12	1.13	1.13	1.13	1.13	1.19	1.19	1.19	1.19	1.20	1.26	1.26	1.27	1.27	1.27
	82°F (27.8°C)	TC	20673	20701	20723	20724	20752	21919	21945	21967	21971	21997	23228	23259	23285	23289	23315	24628	24655	24682	24685	24716
		S/T	0.53	0.62	0.70	0.70	0.80	0.56	0.66	0.75	0.75	0.85	0.59	0.70	0.79	0.79	0.90	0.63	0.74	0.84	0.84	0.95
		PI	1.26	1.27	1.27	1.27	1.27	1.34	1.34	1.34	1.34	1.34	1.42	1.42	1.42	1.42	1.43	1.51	1.51	1.51	1.51	1.51
	86°F (30°C)	TC	21937	21966	21990	21991	22021	23259	23286	23309	23314	23342	24648	24680	24708	24712	24740	26133	26162	26190	26194	26227
		S/T	0.53	0.63	0.71	0.71	0.81	0.57	0.66	0.75	0.75	0.86	0.60	0.70	0.80	0.80	0.91	0.64	0.75	0.85	0.85	0.97
		PI	1.66	1.66	1.66	1.66	1.66	1.76	1.76	1.76	1.76	1.76	1.86	1.87	1.87	1.87	1.87	1.97	1.98	1.98	1.98	1.98
	95°F (35°C)	TC	24780	24813	24840	24841	24875	26273	26304	26330	26336	26367	27843	27879	27910	27915	27947	29521	29553	29585	29589	29626
		S/T	0.53	0.63	0.71	0.71	0.81	0.57	0.66	0.75	0.75	0.86	0.60	0.70	0.80	0.80	0.91	0.64	0.75	0.85	0.85	0.97
		PI	2.54	2.55	2.55	2.55	2.55	2.70	2.70	2.70	2.70	2.71	2.86	2.86	2.87	2.87	2.87	3.03	3.03	3.04	3.04	3.04
	104°F (40°C)	TC	23193	23224	23249	23251	23282	24591	24620	24644	24649	24679	26060	26094	26123	26128	26157	27630	27660	27691	27695	27729
		S/T	0.55	0.64	0.73	0.73	0.83	0.58	0.68	0.77	0.77	0.88	0.62	0.72	0.82	0.82	0.93	0.65	0.76	0.87	0.87	0.99
		PI	2.54	2.55	2.55	2.55	2.55	2.69	2.70	2.70	2.70	2.70	2.86	2.86	2.86	2.86	2.87	3.03	3.03	3.03	3.04	3.04
	110°F (43°C)	TC	22241	22271	22295	22296	22326	23582	23610	23633	23638	23666	24991	25023	25051	25056	25084	26496	26525	26554	26558	26591
		S/T	0.57	0.67	0.76	0.76	0.86	0.60	0.71	0.80	0.80	0.91	0.64	0.75	0.85	0.85	0.97	0.68	0.79	0.90	0.90	1.00
		PI	2.54	2.54	2.55	2.55	2.55	2.69	2.70	2.70	2.70	2.70	2.85	2.86	2.86	2.86	2.86	3.03	3.03	3.03	3.03	3.04
	115°F (46°C)	TC	18938	18964	18984	18985	19011	20080	20104	20123	20127	20151	21279	21307	21331	21335	21359	22562	22586	22611	22614	22642
		S/T	0.57	0.67	0.77	0.77	0.87	0.61	0.71	0.81	0.81	0.92	0.65	0.76	0.86	0.86	0.98	0.68	0.80	0.91	0.91	1.00
		PI	2.29	2.30	2.30	2.30	2.30	2.43	2.43	2.44	2.44	2.44	2.58	2.58	2.58	2.58	2.59	2.73	2.73	2.74	2.74	2.74
	122°F (50°C)	TC	14535	14554	14570	14571	14590	15411	15429	15444	15447	15466	16331	16353	16371	16374	16392	17315	17334	17353	17356	17377
		S/T	0.59	0.69	0.78	0.78	0.89	0.62	0.73	0.83	0.83	0.95	0.66	0.77	0.88	0.88	1.00	0.70	0.82	0.93	0.93	1.00
		PI	1.96	1.97	1.97	1.97	1.97	2.08	2.08	2.09	2.09	2.09	2.21	2.21	2.21	2.21	2.21	2.34	2.34	2.34	2.35	2.35

TC:Total Cooling Capacity (BTU/hr)

S/T:Sensible Cooling Capacity Ratio

PI:Power Input(kW)

24MPHP-HH-SYS-B Expanded Heating @ 629 CFM

CFM	HEATING PERFORMANCE AT INDOOR DRY BULB TEMPERATURE										
	OD DB (°F)	TC : Total Heating Capacity(BTU/hr)					PI : Power Input(kW)				
		Indoor Conditions (DB °F)					Indoor Conditions (DB °F)				
		60.8°F	68°F	70°F	71.6°F	75.2°F	60.8°F	68°F	70°F	71.6°F	75.2°F
629	-22°F	10199	9995	9945	10152	10061	2.38	2.40	2.41	2.41	2.42
	-13°F	12680	12426	12364	12136	12027	2.55	2.57	2.57	2.58	2.59
	-4°F	15175	14871	14797	14524	14393	2.57	2.59	2.60	2.60	2.61
	0°F	17350	17003	16918	16606	16456	2.84	2.86	2.87	2.87	2.89
	5°F	20068	19667	19569	19208	19035	3.18	3.20	3.21	3.21	3.23
	14°F	21459	21030	20925	20539	20355	3.18	3.21	3.21	3.22	3.23
	17°F	21923	21485	21377	20983	20794	3.18	3.21	3.21	3.22	3.23
	22°F	21863	21426	21319	20926	20738	2.99	3.02	3.02	3.03	3.04
	27°F	21803	21367	21261	20869	20681	2.80	2.82	2.83	2.84	2.85
	32°F	21744	21309	21202	20811	20624	2.61	2.63	2.64	2.64	2.65
	35°F	21708	21274	21167	20777	20590	2.50	2.52	2.52	2.53	2.54
	37°F	22552	22101	21991	21585	21391	2.52	2.54	2.54	2.55	2.56
	42°F	24664	24170	24049	23606	23394	2.57	2.59	2.60	2.60	2.61
	44.6°F	25508	24998	24873	24415	24195	2.59	2.61	2.62	2.62	2.63
	47°F	26775	26239	26108	25627	25396	2.62	2.64	2.65	2.65	2.66
	52°F	24859	24362	24240	23793	23579	2.52	2.54	2.54	2.55	2.56
	57°F	22943	22484	22371	21959	21761	2.41	2.43	2.44	2.44	2.45
	59°F	22176	21733	21624	21225	21034	2.37	2.39	2.39	2.40	2.41
62°F	21026	20606	20503	20125	19944	2.31	2.33	2.33	2.34	2.35	
64.4°F	20260	19855	19755	19391	19217	2.27	2.29	2.29	2.29	2.30	

24MPHP-HH-SYS-B Expanded Heating @ 694 CFM

CFM	HEATING PERFORMANCE AT INDOOR DRY BULB TEMPERATURE										
	OD DB (°F)	TC : Total Heating Capacity(BTU/hr)					PI : Power Input(kW)				
		Indoor Conditions (DB °F)					Indoor Conditions (DB °F)				
		60.8°F	68°F	70°F	71.6°F	75.2°F	60.8°F	68°F	70°F	71.6°F	75.2°F
694	-22°F	10959	10740	10686	10775	10678	2.41	2.43	2.43	2.44	2.45
	-13°F	13360	13093	13028	12881	12765	2.57	2.59	2.60	2.60	2.61
	-4°F	15989	15669	15591	15416	15277	2.60	2.62	2.62	2.63	2.64
	0°F	18281	17915	17826	17625	17467	2.87	2.89	2.90	2.90	2.91
	5°F	21145	20722	20619	20387	20204	3.21	3.23	3.24	3.25	3.26
	14°F	22611	22159	22048	21800	21604	3.21	3.24	3.24	3.25	3.26
	17°F	23099	22637	22524	22271	22071	3.21	3.24	3.25	3.25	3.26
	22°F	23036	22576	22463	22210	22010	3.02	3.05	3.05	3.06	3.07
	27°F	22973	22514	22401	22150	21950	2.83	2.85	2.86	2.86	2.88
	32°F	22910	22452	22340	22089	21890	2.64	2.66	2.67	2.67	2.68
	35°F	22873	22415	22303	22052	21854	2.52	2.54	2.55	2.55	2.56
	37°F	23762	23287	23171	22910	22704	2.54	2.56	2.57	2.57	2.59
	42°F	25987	25467	25340	25055	24830	2.60	2.62	2.62	2.63	2.64
	44.6°F	26877	26339	26208	25913	25680	2.62	2.64	2.64	2.65	2.66
	47°F	28212	27647	27509	27200	26955	2.65	2.67	2.67	2.68	2.69
	52°F	26193	25669	25540	25253	25026	2.54	2.56	2.57	2.57	2.58
	57°F	24174	23690	23572	23307	23097	2.44	2.46	2.46	2.47	2.48
59°F	23366	22899	22784	22528	22325	2.39	2.41	2.42	2.42	2.43	
62°F	22155	21712	21603	21360	21168	2.33	2.35	2.36	2.36	2.37	
64.4°F	21347	20920	20816	20582	20396	2.29	2.31	2.31	2.32	2.33	

24MPHP-HH-SYS-B Expanded Heating @ 759 CFM

CFM	HEATING PERFORMANCE AT INDOOR DRY BULB TEMPERATURE										
	OD DB (°F)	TC : Total Heating Capacity(BTU/hr)					PI : Power Input(kW)				
		Indoor Conditions (DB °F)					Indoor Conditions (DB °F)				
		60.8°F	68°F	70°F	71.6°F	75.2°F	60.8°F	68°F	70°F	71.6°F	75.2°F
759	-22°F	11776	11540	11483	11437	11334	2.43	2.45	2.46	2.46	2.47
	-13°F	14077	13796	13727	13672	13549	2.60	2.62	2.62	2.63	2.64
	-4°F	16847	16510	16428	16362	16215	2.62	2.64	2.65	2.65	2.67
	0°F	19262	18876	18782	18707	18539	2.90	2.92	2.93	2.93	2.94
	5°F	22280	21834	21725	21638	21444	3.24	3.27	3.27	3.28	3.29
	14°F	23824	23348	23231	23138	22930	3.24	3.27	3.28	3.28	3.30
	17°F	24339	23852	23733	23638	23425	3.25	3.27	3.28	3.28	3.30
	22°F	24273	23787	23668	23574	23361	3.05	3.08	3.08	3.09	3.10
	27°F	24206	23722	23603	23509	23297	2.86	2.88	2.89	2.89	2.90
	32°F	24140	23657	23539	23445	23234	2.67	2.69	2.69	2.70	2.71
	35°F	24100	23618	23500	23406	23195	2.55	2.57	2.57	2.58	2.59
	37°F	25038	24537	24414	24316	24098	2.57	2.59	2.60	2.60	2.61
	42°F	27382	26834	26700	26593	26354	2.62	2.64	2.65	2.65	2.66
	44.6°F	28319	27753	27614	27504	27256	2.64	2.66	2.67	2.67	2.68
	47°F	29726	29131	28985	28869	28610	2.67	2.69	2.70	2.71	2.72
	52°F	27598	27046	26911	26803	26562	2.57	2.59	2.59	2.60	2.61
	57°F	25471	24961	24837	24737	24515	2.46	2.48	2.49	2.49	2.50
	59°F	24620	24128	24007	23911	23696	2.42	2.44	2.44	2.45	2.46
62°F	23344	22877	22762	22671	22467	2.36	2.37	2.38	2.38	2.39	
64.4°F	22493	22043	21933	21845	21648	2.31	2.33	2.34	2.34	2.35	

24MPHP-HH-SYS-B Expanded Heating @ 824 CFM

CFM	HEATING PERFORMANCE AT INDOOR DRY BULB TEMPERATURE										
	OD DB (°F)	TC : Total Heating Capacity(BTU/hr)					PI : Power Input(kW)				
		Indoor Conditions (DB °F)					Indoor Conditions (DB °F)				
		60.8°F	68°F	70°F	71.6°F	75.2°F	60.8°F	68°F	70°F	71.6°F	75.2°F
824	-22°F	12408	12160	12099	12051	11942	2.46	2.48	2.48	2.49	2.50
	-13°F	14833	14536	14463	14406	14276	2.62	2.64	2.65	2.66	2.67
	-4°F	17751	17396	17309	17240	17085	2.65	2.67	2.68	2.68	2.69
	0°F	20295	19889	19790	19711	19533	2.93	2.95	2.96	2.96	2.97
	5°F	23476	23006	22891	22800	22594	3.27	3.30	3.31	3.31	3.33
	14°F	25103	24601	24478	24380	24160	3.28	3.30	3.31	3.32	3.33
	17°F	25645	25132	25007	24907	24682	3.28	3.30	3.31	3.32	3.33
	22°F	25575	25064	24938	24839	24615	3.08	3.11	3.11	3.12	3.13
	27°F	25505	24995	24870	24771	24548	2.89	2.91	2.92	2.92	2.93
	32°F	25435	24926	24802	24703	24480	2.69	2.71	2.72	2.72	2.74
	35°F	25393	24885	24761	24662	24440	2.57	2.60	2.60	2.61	2.62
	37°F	26381	25853	25724	25621	25391	2.60	2.62	2.62	2.63	2.64
	42°F	28851	28274	28133	28020	27768	2.65	2.67	2.67	2.68	2.69
	44.6°F	29839	29242	29096	28979	28719	2.67	2.69	2.70	2.70	2.71
	47°F	31321	30694	30541	30419	30145	2.70	2.72	2.73	2.73	2.74
	52°F	29079	28498	28355	28242	27988	2.59	2.61	2.62	2.62	2.63
	57°F	26838	26301	26169	26065	25830	2.49	2.51	2.51	2.52	2.53
	59°F	25941	25422	25295	25194	24967	2.44	2.46	2.47	2.47	2.48
62°F	24596	24104	23984	23888	23673	2.38	2.40	2.40	2.41	2.42	
64.4°F	23700	23226	23109	23017	22810	2.34	2.36	2.36	2.36	2.37	

25MPHP-HH-SYS-B Expanded Cooling @ 629 CFM (Preliminary)

CFM	OD DB (°F)	ID WB ID DB	60.8°F (16.0°C)					64.4°F (18.0°C)					67°F (19.4°C)					71.6°F (22.0°C)				
			73.4°F	77.0°F	80.0°F	80.6°F	84.2°F	73.4°F	77.0°F	80.0°F	80.6°F	84.2°F	73.4°F	77.0°F	80.0°F	80.6°F	84.2°F	73.4°F	77.0°F	80.0°F	80.6°F	84.2°F
			23.0°C	25.0°C	26.7°C	27.0°C	29.0°C	23.0°C	25.0°C	26.7°C	27.0°C	29.0°C	23.0°C	25.0°C	26.7°C	27.0°C	29.0°C	23.0°C	25.0°C	26.7°C	27.0°C	29.0°C
629	50°F (10°C)	TC	21499	21528	21551	21552	21581	22795	22822	22844	22849	22876	24157	24188	24215	24220	24247	25612	25640	25668	25672	25704
		S/T	0.43	0.50	0.57	0.57	0.65	0.45	0.53	0.60	0.60	0.69	0.48	0.56	0.64	0.64	0.73	0.51	0.60	0.68	0.68	0.77
		PI	1.21	1.21	1.22	1.22	1.22	1.29	1.29	1.29	1.29	1.29	1.36	1.36	1.37	1.37	1.37	1.45	1.45	1.45	1.45	1.45
	59°F (15°C)	TC	21343	21372	21395	21396	21425	22630	22656	22679	22683	22710	23982	24013	24040	24044	24071	25427	25454	25482	25486	25518
		S/T	0.43	0.50	0.57	0.57	0.65	0.45	0.53	0.60	0.60	0.69	0.48	0.56	0.64	0.64	0.73	0.51	0.60	0.68	0.68	0.77
		PI	1.24	1.24	1.24	1.24	1.25	1.32	1.32	1.32	1.32	1.32	1.39	1.40	1.40	1.40	1.40	1.48	1.48	1.48	1.48	1.48
	68°F (20°C)	TC	21188	21216	21239	21240	21269	22464	22491	22513	22518	22544	23807	23838	23864	23869	23895	25241	25268	25296	25300	25331
		S/T	0.44	0.52	0.59	0.59	0.67	0.47	0.55	0.62	0.62	0.71	0.49	0.58	0.66	0.66	0.75	0.52	0.61	0.70	0.70	0.80
		PI	1.27	1.27	1.27	1.27	1.27	1.35	1.35	1.35	1.35	1.35	1.43	1.43	1.43	1.43	1.43	1.51	1.51	1.52	1.52	1.52
	77°F (25°C)	TC	21032	21060	21083	21084	21112	22299	22326	22348	22352	22379	23632	23662	23689	23693	23719	25055	25083	25110	25114	25145
		S/T	0.45	0.52	0.59	0.59	0.68	0.47	0.55	0.63	0.63	0.72	0.50	0.59	0.67	0.67	0.76	0.53	0.62	0.71	0.71	0.81
		PI	1.30	1.30	1.30	1.30	1.30	1.38	1.38	1.38	1.38	1.38	1.46	1.46	1.46	1.46	1.46	1.55	1.55	1.55	1.55	1.55
	82°F (27.8°C)	TC	21606	21635	21658	21659	21688	22908	22935	22957	22962	22989	24276	24308	24335	24339	24367	25739	25767	25795	25799	25831
		S/T	0.45	0.53	0.60	0.60	0.69	0.48	0.56	0.64	0.64	0.73	0.51	0.59	0.68	0.68	0.77	0.54	0.63	0.72	0.72	0.82
		PI	1.46	1.46	1.46	1.46	1.47	1.55	1.55	1.55	1.55	1.55	1.64	1.64	1.65	1.65	1.65	1.74	1.74	1.74	1.74	1.75
	86°F (30°C)	TC	22898	22929	22954	22955	22986	24278	24307	24331	24336	24364	25728	25762	25791	25795	25824	27279	27308	27338	27342	27376
		S/T	0.46	0.54	0.61	0.61	0.69	0.48	0.57	0.65	0.65	0.74	0.51	0.60	0.68	0.68	0.78	0.54	0.64	0.72	0.72	0.83
		PI	1.78	1.78	1.78	1.78	1.78	1.88	1.89	1.89	1.89	1.89	2.00	2.00	2.00	2.00	2.00	2.12	2.12	2.12	2.12	2.12
	95°F (35°C)	TC	25806	25841	25869	25870	25905	27361	27394	27421	27426	27459	28996	29033	29066	29071	29104	30743	30776	30810	30815	30853
		S/T	0.46	0.54	0.61	0.61	0.69	0.48	0.57	0.65	0.65	0.74	0.51	0.60	0.68	0.68	0.78	0.54	0.64	0.72	0.72	0.83
		PI	2.49	2.49	2.49	2.49	2.50	2.64	2.64	2.64	2.64	2.65	2.79	2.80	2.80	2.80	2.80	2.96	2.97	2.97	2.97	2.97
	104°F (40°C)	TC	22485	22515	22539	22540	22571	23840	23868	23892	23896	23925	25264	25297	25325	25330	25358	26786	26815	26845	26849	26882
		S/T	0.47	0.55	0.62	0.62	0.71	0.50	0.58	0.66	0.66	0.75	0.53	0.62	0.70	0.70	0.80	0.56	0.65	0.74	0.74	0.85
		PI	2.55	2.55	2.55	2.55	2.56	2.70	2.70	2.71	2.71	2.71	2.86	2.87	2.87	2.87	2.87	3.03	3.04	3.04	3.04	3.05
110°F (43°C)	TC	20492	20520	20542	20543	20570	21727	21753	21774	21778	21804	23025	23055	23081	23085	23111	24412	24439	24465	24469	24500	
	S/T	0.49	0.57	0.65	0.65	0.74	0.51	0.60	0.69	0.69	0.78	0.54	0.64	0.73	0.73	0.83	0.58	0.68	0.77	0.77	0.88	
	PI	2.58	2.59	2.59	2.59	2.59	2.74	2.74	2.75	2.75	2.75	2.90	2.91	2.91	2.91	2.91	3.08	3.08	3.08	3.09	3.09	
115°F (46°C)	TC	17551	17574	17593	17594	17618	18609	18631	18649	18653	18675	19720	19746	19768	19772	19794	20909	20931	20954	20957	20983	
	S/T	0.49	0.58	0.65	0.65	0.75	0.52	0.61	0.69	0.69	0.79	0.55	0.65	0.74	0.74	0.84	0.58	0.69	0.78	0.78	0.89	
	PI	2.22	2.22	2.23	2.23	2.23	2.35	2.36	2.36	2.36	2.36	2.50	2.50	2.50	2.50	2.50	2.65	2.65	2.65	2.65	2.65	
122°F (50°C)	TC	13629	13648	13662	13663	13681	14451	14468	14482	14485	14502	15314	15334	15351	15354	15371	16237	16254	16272	16275	16295	
	S/T	0.50	0.59	0.67	0.67	0.76	0.53	0.62	0.71	0.71	0.81	0.56	0.66	0.75	0.75	0.86	0.60	0.70	0.80	0.80	0.91	
	PI	1.74	1.74	1.74	1.74	1.74	1.84	1.84	1.85	1.85	1.85	1.95	1.95	1.96	1.96	1.96	2.07	2.07	2.07	2.07	2.08	

TC:Total Cooling Capacity (BTU/hr)

S/T:Sensible Cooling Capacity Ratio

PI:Power Input(kW)

25MPHP-HH-SYS-B Expanded Cooling @ 694 CFM

CFM	OD DB (°F)	ID WB	60.8°F (16.0°C)					64.4°F (18.0°C)					67°F (19.4°C)					71.6°F (22.0°C)				
			73.4°F	77.0°F	80.0°F	80.6°F	84.2°F	73.4°F	77.0°F	80.0°F	80.6°F	84.2°F	73.4°F	77.0°F	80.0°F	80.6°F	84.2°F	73.4°F	77.0°F	80.0°F	80.6°F	84.2°F
			23.0°C	25.0°C	26.7°C	27.0°C	29.0°C	23.0°C	25.0°C	26.7°C	27.0°C	29.0°C	23.0°C	25.0°C	26.7°C	27.0°C	29.0°C	23.0°C	25.0°C	26.7°C	27.0°C	29.0°C
694	50°F (10°C)	TC	22653	22683	22708	22709	22739	24018	24047	24070	24075	24104	25453	25486	25514	25519	25548	26987	27016	27045	27050	27083
		S/T	0.45	0.53	0.60	0.60	0.68	0.48	0.56	0.63	0.63	0.72	0.50	0.59	0.67	0.67	0.77	0.53	0.63	0.71	0.71	0.81
		PI	1.28	1.28	1.28	1.28	1.28	1.36	1.36	1.36	1.36	1.36	1.44	1.44	1.44	1.44	1.44	1.52	1.52	1.53	1.53	1.53
	59°F (15°C)	TC	22489	22519	22543	22544	22575	23844	23872	23896	23901	23929	25269	25301	25330	25334	25363	26791	26820	26849	26854	26887
		S/T	0.45	0.53	0.60	0.60	0.69	0.48	0.56	0.64	0.64	0.73	0.51	0.59	0.68	0.68	0.77	0.54	0.63	0.72	0.72	0.82
		PI	1.31	1.31	1.31	1.31	1.31	1.39	1.39	1.39	1.39	1.39	1.47	1.47	1.47	1.47	1.48	1.56	1.56	1.56	1.56	1.56
	68°F (20°C)	TC	22325	22355	22379	22380	22410	23670	23698	23721	23726	23754	25084	25117	25145	25149	25177	26595	26624	26653	26658	26691
		S/T	0.46	0.54	0.62	0.62	0.70	0.49	0.58	0.65	0.65	0.75	0.52	0.61	0.69	0.69	0.79	0.55	0.65	0.74	0.74	0.84
		PI	1.34	1.34	1.34	1.34	1.34	1.42	1.42	1.42	1.42	1.42	1.50	1.51	1.51	1.51	1.51	1.59	1.60	1.60	1.60	1.60
	77°F (25°C)	TC	22160	22190	22214	22215	22245	23496	23524	23547	23552	23580	24900	24932	24960	24964	24992	26400	26429	26457	26461	26494
		S/T	0.47	0.55	0.63	0.63	0.71	0.50	0.58	0.66	0.66	0.76	0.53	0.62	0.70	0.70	0.80	0.56	0.66	0.74	0.74	0.85
		PI	1.37	1.37	1.37	1.37	1.37	1.45	1.45	1.45	1.45	1.46	1.54	1.54	1.54	1.54	1.54	1.63	1.63	1.63	1.63	1.64
	82°F (27.8°C)	TC	22765	22796	22820	22821	22852	24137	24166	24189	24194	24223	25579	25612	25641	25646	25674	27120	27150	27179	27183	27217
		S/T	0.47	0.56	0.63	0.63	0.72	0.50	0.59	0.67	0.67	0.77	0.53	0.63	0.71	0.71	0.81	0.57	0.66	0.75	0.75	0.86
		PI	1.54	1.54	1.54	1.54	1.55	1.63	1.63	1.64	1.64	1.64	1.73	1.73	1.73	1.73	1.74	1.83	1.84	1.84	1.84	1.84
	86°F (30°C)	TC	24127	24159	24185	24186	24219	25581	25611	25636	25641	25672	27109	27144	27175	27180	27210	28742	28774	28805	28810	28845
		S/T	0.48	0.56	0.64	0.64	0.73	0.51	0.60	0.68	0.68	0.77	0.54	0.63	0.72	0.72	0.82	0.57	0.67	0.76	0.76	0.87
		PI	1.87	1.87	1.88	1.88	1.88	1.98	1.99	1.99	1.99	1.99	2.10	2.11	2.11	2.11	2.11	2.23	2.23	2.23	2.23	2.24
	95°F (35°C)	TC	27191	27227	27257	27258	27295	28829	28864	28892	28898	28932	30552	30591	30626	30631	30665	32393	32428	32463	32468	32509
		S/T	0.48	0.56	0.64	0.64	0.73	0.51	0.60	0.68	0.68	0.77	0.54	0.63	0.72	0.72	0.82	0.57	0.67	0.76	0.76	0.87
		PI	2.62	2.62	2.63	2.63	2.63	2.78	2.78	2.78	2.78	2.79	2.94	2.95	2.95	2.95	2.95	3.12	3.12	3.13	3.13	3.13
	104°F (40°C)	TC	23691	23723	23749	23750	23782	25119	25149	25174	25179	25208	26620	26654	26684	26689	26719	28224	28254	28285	28289	28325
		S/T	0.49	0.58	0.66	0.66	0.75	0.52	0.61	0.70	0.70	0.79	0.55	0.65	0.74	0.74	0.84	0.59	0.69	0.78	0.78	0.89
		PI	2.68	2.69	2.69	2.69	2.69	2.85	2.85	2.85	2.85	2.86	3.02	3.02	3.02	3.02	3.03	3.20	3.20	3.20	3.20	3.21
	110°F (43°C)	TC	21592	21621	21644	21645	21674	22893	22920	22943	22947	22974	24261	24292	24319	24324	24351	25722	25750	25778	25782	25814
		S/T	0.51	0.60	0.68	0.68	0.78	0.54	0.64	0.72	0.72	0.82	0.57	0.67	0.77	0.77	0.87	0.61	0.71	0.81	0.81	0.93
		PI	2.72	2.73	2.73	2.73	2.73	2.89	2.89	2.89	2.89	2.90	3.06	3.06	3.07	3.07	3.07	3.24	3.25	3.25	3.25	3.25
	115°F (46°C)	TC	18493	18518	18537	18538	18563	19607	19630	19650	19654	19677	20779	20806	20829	20833	20856	22030	22054	22078	22082	22109
		S/T	0.52	0.61	0.69	0.69	0.79	0.55	0.64	0.73	0.73	0.83	0.58	0.68	0.77	0.77	0.88	0.62	0.72	0.82	0.82	0.94
		PI	2.34	2.34	2.35	2.35	2.35	2.48	2.48	2.49	2.49	2.49	2.63	2.63	2.64	2.64	2.64	2.79	2.79	2.79	2.79	2.80
122°F (50°C)	TC	14361	14380	14396	14396	14416	15226	15244	15259	15262	15280	16136	16157	16175	16178	16196	17108	17127	17145	17148	17169	
	S/T	0.53	0.62	0.71	0.71	0.80	0.56	0.66	0.75	0.75	0.85	0.59	0.70	0.79	0.79	0.90	0.63	0.74	0.84	0.84	0.96	
	PI	1.83	1.83	1.83	1.83	1.84	1.94	1.94	1.94	1.94	1.95	2.06	2.06	2.06	2.06	2.06	2.18	2.18	2.18	2.18	2.19	

TC:Total Cooling Capacity (BTU/hr)

S/T:Sensible Cooling Capacity Ratio

PI:Power Input(kW)

25MPHP-HH-SYS-B Expanded Cooling @ 759 CFM

CFM	OD DB (°F)	ID WB ID DB	60.8°F (16.0°C)					64.4°F (18.0°C)					67°F (19.4°C)					71.6°F (22.0°C)				
			73.4°F	77.0°F	80.0°F	80.6°F	84.2°F	73.4°F	77.0°F	80.0°F	80.6°F	84.2°F	73.4°F	77.0°F	80.0°F	80.6°F	84.2°F	73.4°F	77.0°F	80.0°F	80.6°F	84.2°F
			23.0°C	25.0°C	26.7°C	27.0°C	29.0°C	23.0°C	25.0°C	26.7°C	27.0°C	29.0°C	23.0°C	25.0°C	26.7°C	27.0°C	29.0°C	23.0°C	25.0°C	26.7°C	27.0°C	29.0°C
759	50°F (10°C)	TC	23868	23901	23926	23927	23960	25307	25337	25362	25367	25397	26819	26854	26884	26889	26919	28435	28466	28497	28501	28537
		S/T	0.47	0.55	0.63	0.63	0.72	0.50	0.59	0.67	0.67	0.76	0.53	0.62	0.71	0.71	0.81	0.56	0.66	0.75	0.75	0.86
		PI	1.35	1.35	1.35	1.35	1.35	1.43	1.43	1.43	1.43	1.43	1.51	1.52	1.52	1.52	1.52	1.60	1.61	1.61	1.61	1.61
	59°F (15°C)	TC	23696	23727	23753	23754	23786	25124	25153	25178	25183	25213	26625	26659	26689	26694	26724	28229	28259	28290	28295	28330
		S/T	0.48	0.56	0.63	0.63	0.72	0.50	0.59	0.67	0.67	0.77	0.53	0.63	0.71	0.71	0.81	0.57	0.66	0.75	0.75	0.86
		PI	1.38	1.38	1.38	1.38	1.38	1.46	1.46	1.46	1.46	1.47	1.55	1.55	1.55	1.55	1.55	1.64	1.64	1.65	1.65	1.65
	68°F (20°C)	TC	23523	23554	23580	23581	23612	24940	24970	24994	24999	25029	26430	26464	26494	26499	26528	28023	28053	28084	28088	28123
		S/T	0.49	0.57	0.65	0.65	0.74	0.52	0.61	0.69	0.69	0.79	0.55	0.64	0.73	0.73	0.83	0.58	0.68	0.77	0.77	0.88
		PI	1.41	1.41	1.41	1.41	1.42	1.49	1.50	1.50	1.50	1.50	1.58	1.59	1.59	1.59	1.59	1.68	1.68	1.68	1.68	1.69
	77°F (25°C)	TC	23350	23381	23406	23407	23439	24757	24786	24811	24815	24845	26236	26270	26299	26304	26333	27817	27847	27877	27881	27916
		S/T	0.49	0.58	0.66	0.66	0.75	0.52	0.61	0.70	0.70	0.80	0.56	0.65	0.74	0.74	0.84	0.59	0.69	0.78	0.78	0.89
		PI	1.44	1.44	1.44	1.44	1.45	1.53	1.53	1.53	1.53	1.53	1.62	1.62	1.62	1.62	1.63	1.72	1.72	1.72	1.72	1.72
	82°F (27.8°C)	TC	23987	24019	24045	24046	24078	25432	25462	25487	25493	25523	26952	26987	27017	27022	27052	28576	28607	28638	28642	28678
		S/T	0.50	0.59	0.67	0.67	0.76	0.53	0.62	0.71	0.71	0.81	0.56	0.66	0.75	0.75	0.85	0.60	0.70	0.79	0.79	0.91
		PI	1.62	1.62	1.63	1.63	1.63	1.72	1.72	1.72	1.72	1.73	1.82	1.82	1.83	1.83	1.83	1.93	1.93	1.94	1.94	1.94
	86°F (30°C)	TC	25421	25456	25483	25484	25519	26954	26985	27012	27017	27049	28564	28601	28633	28638	28670	30285	30318	30351	30355	30393
		S/T	0.51	0.59	0.68	0.68	0.77	0.54	0.63	0.72	0.72	0.82	0.57	0.67	0.76	0.76	0.87	0.60	0.71	0.80	0.80	0.92
		PI	1.97	1.97	1.98	1.98	1.98	2.09	2.09	2.10	2.10	2.10	2.22	2.22	2.22	2.22	2.22	2.35	2.35	2.35	2.35	2.36
	95°F (35°C)	TC	28650	28688	28719	28721	28759	30376	30412	30442	30448	30485	32191	32233	32269	32275	32311	34131	34168	34205	34210	34253
		S/T	0.51	0.59	0.68	0.68	0.77	0.54	0.63	0.72	0.72	0.82	0.57	0.67	0.76	0.76	0.87	0.60	0.71	0.80	0.80	0.92
		PI	2.76	2.76	2.77	2.77	2.77	2.93	2.93	2.93	2.93	2.94	3.10	3.11	3.11	3.11	3.11	3.29	3.29	3.30	3.30	3.30
	104°F (40°C)	TC	24963	24996	25023	25024	25058	26467	26498	26524	26530	26561	28048	28085	28116	28121	28153	29738	29771	29803	29808	29845
		S/T	0.52	0.61	0.69	0.69	0.79	0.55	0.65	0.73	0.73	0.84	0.58	0.68	0.78	0.78	0.89	0.62	0.73	0.82	0.83	0.94
		PI	2.83	2.83	2.83	2.83	2.84	3.00	3.00	3.00	3.01	3.01	3.18	3.18	3.19	3.19	3.19	3.37	3.37	3.38	3.38	3.38
110°F (43°C)	TC	22750	22781	22805	22806	22837	24121	24150	24174	24178	24207	25562	25596	25624	25629	25657	27103	27132	27162	27166	27200	
	S/T	0.54	0.63	0.72	0.72	0.82	0.57	0.67	0.76	0.76	0.87	0.61	0.71	0.81	0.81	0.92	0.64	0.75	0.86	0.86	0.97	
	PI	2.87	2.87	2.88	2.88	2.88	3.04	3.04	3.05	3.05	3.05	3.22	3.23	3.23	3.23	3.23	3.42	3.42	3.42	3.43	3.43	
115°F (46°C)	TC	19485	19511	19532	19533	19559	20659	20684	20704	20708	20733	21894	21922	21946	21950	21975	23213	23238	23263	23267	23296	
	S/T	0.54	0.64	0.73	0.73	0.83	0.58	0.68	0.77	0.77	0.88	0.61	0.72	0.82	0.82	0.93	0.65	0.76	0.87	0.87	0.99	
	PI	2.47	2.47	2.47	2.47	2.47	2.61	2.62	2.62	2.62	2.62	2.77	2.77	2.78	2.78	2.78	2.94	2.94	2.94	2.94	2.95	
122°F (50°C)	TC	15131	15152	15168	15169	15189	16043	16062	16078	16081	16100	17002	17024	17043	17046	17065	18026	18046	18065	18068	18091	
	S/T	0.56	0.65	0.74	0.74	0.85	0.59	0.69	0.79	0.79	0.90	0.63	0.73	0.84	0.84	0.95	0.66	0.78	0.89	0.89	1.00	
	PI	1.93	1.93	1.93	1.93	1.94	2.04	2.05	2.05	2.05	2.05	2.17	2.17	2.17	2.17	2.17	2.30	2.30	2.30	2.30	2.30	

TC:Total Cooling Capacity (BTU/hr)

S/T:Sensible Cooling Capacity Ratio

PI:Power Input(kW)

25MPHP-HH-SYS-B Expanded Cooling @ 824 CFM

CFM	OD DB (°F)	ID WB ID DB	60.8°F (16.0°C)					64.4°F (18.0°C)					67°F (19.4°C)					71.6°F (22.0°C)				
			73.4°F	77.0°F	80.0°F	80.6°F	84.2°F	73.4°F	77.0°F	80.0°F	80.6°F	84.2°F	73.4°F	77.0°F	80.0°F	80.6°F	84.2°F	73.4°F	77.0°F	80.0°F	80.6°F	84.2°F
			23.0°C	25.0°C	26.7°C	27.0°C	29.0°C	23.0°C	25.0°C	26.7°C	27.0°C	29.0°C	23.0°C	25.0°C	26.7°C	27.0°C	29.0°C	23.0°C	25.0°C	26.7°C	27.0°C	29.0°C
824	50°F (10°C)	TC	25149	25183	25210	25211	25245	26665	26696	26723	26728	26760	28258	28295	28326	28332	28363	29961	29993	30026	30030	30068
		S/T	0.50	0.58	0.66	0.66	0.76	0.53	0.62	0.70	0.70	0.80	0.56	0.66	0.75	0.75	0.85	0.59	0.70	0.79	0.79	0.90
		PI	1.42	1.42	1.42	1.42	1.42	1.50	1.51	1.51	1.51	1.51	1.59	1.60	1.60	1.60	1.60	1.69	1.69	1.69	1.69	1.70
	59°F (15°C)	TC	24967	25001	25028	25029	25062	26472	26503	26529	26534	26566	28053	28090	28121	28126	28158	29743	29776	29808	29813	29850
		S/T	0.50	0.59	0.67	0.67	0.76	0.53	0.62	0.71	0.71	0.81	0.56	0.66	0.75	0.75	0.86	0.60	0.70	0.80	0.80	0.91
		PI	1.45	1.45	1.46	1.46	1.46	1.54	1.54	1.54	1.54	1.55	1.63	1.63	1.64	1.64	1.64	1.73	1.73	1.73	1.73	1.74
	68°F (20°C)	TC	24785	24818	24845	24846	24879	26278	26310	26336	26341	26372	27848	27885	27916	27921	27952	29526	29558	29591	29595	29632
		S/T	0.51	0.60	0.69	0.69	0.78	0.54	0.64	0.73	0.73	0.83	0.58	0.68	0.77	0.77	0.88	0.61	0.72	0.82	0.82	0.93
		PI	1.49	1.49	1.49	1.49	1.49	1.57	1.58	1.58	1.58	1.58	1.67	1.67	1.67	1.67	1.68	1.77	1.77	1.77	1.77	1.78
	77°F (25°C)	TC	24603	24636	24662	24663	24697	26085	26116	26142	26147	26178	27644	27680	27710	27716	27746	29309	29341	29373	29378	29414
		S/T	0.52	0.61	0.69	0.69	0.79	0.55	0.65	0.74	0.74	0.84	0.59	0.69	0.78	0.78	0.89	0.62	0.73	0.83	0.83	0.94
		PI	1.52	1.52	1.52	1.52	1.52	1.61	1.61	1.61	1.61	1.62	1.71	1.71	1.71	1.71	1.71	1.81	1.81	1.81	1.81	1.82
	82°F (27.8°C)	TC	25274	25308	25335	25336	25370	26797	26829	26855	26860	26892	28398	28435	28466	28472	28504	30109	30142	30174	30179	30217
		S/T	0.53	0.62	0.70	0.70	0.80	0.56	0.66	0.75	0.75	0.85	0.59	0.70	0.79	0.79	0.90	0.63	0.74	0.84	0.84	0.95
		PI	1.71	1.71	1.71	1.71	1.72	1.81	1.81	1.82	1.82	1.82	1.92	1.92	1.92	1.93	1.93	2.04	2.04	2.04	2.04	2.04
	86°F (30°C)	TC	26786	26822	26851	26852	26888	28400	28433	28462	28467	28501	30097	30136	30169	30175	30209	31910	31945	31979	31984	32024
		S/T	0.53	0.63	0.71	0.71	0.81	0.57	0.66	0.75	0.75	0.86	0.60	0.70	0.80	0.80	0.91	0.64	0.75	0.85	0.85	0.97
		PI	2.08	2.08	2.08	2.08	2.09	2.20	2.21	2.21	2.21	2.21	2.33	2.34	2.34	2.34	2.34	2.48	2.48	2.48	2.48	2.48
	95°F (35°C)	TC	30187	30228	30260	30262	30303	32006	32044	32076	32082	32120	33919	33963	34001	34007	34045	35962	36001	36041	36046	36091
		S/T	0.53	0.63	0.71	0.71	0.81	0.57	0.66	0.75	0.75	0.86	0.60	0.70	0.80	0.80	0.91	0.64	0.75	0.85	0.85	0.97
		PI	2.91	2.91	2.92	2.92	2.92	3.08	3.09	3.09	3.09	3.09	3.27	3.27	3.28	3.28	3.28	3.47	3.47	3.47	3.47	3.48
	104°F (40°C)	TC	26302	26337	26366	26367	26403	27887	27920	27948	27953	27987	29553	29592	29625	29630	29663	31334	31368	31402	31407	31446
		S/T	0.55	0.64	0.73	0.73	0.83	0.58	0.68	0.77	0.77	0.88	0.62	0.72	0.82	0.82	0.93	0.65	0.76	0.87	0.87	0.99
		PI	2.98	2.98	2.99	2.99	2.99	3.16	3.16	3.17	3.17	3.17	3.35	3.35	3.36	3.36	3.36	3.55	3.55	3.56	3.56	3.56
110°F (43°C)	TC	23971	24003	24029	24030	24063	25416	25446	25471	25476	25506	26934	26969	26999	27004	27034	28557	28588	28619	28624	28659	
	S/T	0.57	0.67	0.76	0.76	0.86	0.60	0.71	0.80	0.80	0.91	0.64	0.75	0.85	0.85	0.97	0.68	0.79	0.90	0.90	1.00	
	PI	3.02	3.03	3.03	3.03	3.03	3.20	3.21	3.21	3.21	3.22	3.40	3.40	3.40	3.40	3.41	3.60	3.60	3.61	3.61	3.61	
115°F (46°C)	TC	20531	20558	20580	20581	20609	21768	21794	21815	21819	21845	23068	23098	23124	23128	23154	24458	24485	24512	24515	24546	
	S/T	0.57	0.67	0.77	0.77	0.87	0.61	0.71	0.81	0.81	0.92	0.65	0.76	0.86	0.86	0.98	0.68	0.80	0.91	0.91	1.00	
	PI	2.60	2.60	2.60	2.60	2.61	2.75	2.76	2.76	2.76	2.76	2.92	2.92	2.93	2.93	2.93	3.09	3.10	3.10	3.10	3.11	
122°F (50°C)	TC	15943	15965	15982	15983	16004	16904	16924	16941	16944	16964	17914	17937	17957	17961	17981	18993	19014	19035	19038	19061	
	S/T	0.59	0.69	0.78	0.78	0.89	0.62	0.73	0.83	0.83	0.95	0.66	0.77	0.88	0.88	1.00	0.70	0.82	0.93	0.93	1.00	
	PI	2.03	2.03	2.04	2.04	2.04	2.15	2.16	2.16	2.16	2.16	2.28	2.29	2.29	2.29	2.29	2.42	2.42	2.43	2.43	2.43	

TC:Total Cooling Capacity (BTU/hr)

S/T:Sensible Cooling Capacity Ratio

PI:Power Input(kW)

25MPHP-HH-SYS-B Expanded Heating @ 629 CFM

CFM	HEATING PERFORMANCE AT INDOOR DRY BULB TEMPERATURE										
	OD DB (°F)	TC : Total Heating Capacity(BTU/hr)					PI : Power Input(kW)				
		Indoor Conditions (DB °F)					Indoor Conditions (DB °F)				
		60.8°F	68°F	70°F	71.6°F	75.2°F	60.8°F	68°F	70°F	71.6°F	75.2°F
629	-22°F	16858	16520	16438	16780	16629	3.04	3.06	3.07	3.07	3.09
	-13°F	20161	19758	19659	19297	19123	3.78	3.81	3.82	3.82	3.84
	-4°F	23670	23197	23081	22655	22451	4.40	4.44	4.44	4.45	4.47
	0°F	25228	24724	24600	24146	23929	4.66	4.70	4.71	4.72	4.74
	5°F	27176	26632	26499	26011	25777	4.99	5.03	5.04	5.05	5.07
	14°F	28490	27921	27781	27269	27024	4.28	4.31	4.32	4.33	4.35
	17°F	28929	28350	28208	27688	27439	4.04	4.07	4.08	4.09	4.10
	22°F	29003	28423	28281	27760	27510	3.99	4.02	4.03	4.03	4.05
	27°F	29078	28497	28354	27832	27581	3.93	3.96	3.97	3.98	4.00
	32°F	29153	28570	28427	27903	27652	3.88	3.91	3.92	3.93	3.94
	35°F	29198	28614	28471	27946	27695	3.85	3.88	3.89	3.89	3.91
	37°F	29445	28856	28712	28183	27929	3.83	3.86	3.87	3.87	3.89
	42°F	30063	29462	29315	28774	28515	3.78	3.81	3.81	3.82	3.84
	44.6°F	30311	29704	29556	29011	28750	3.75	3.78	3.79	3.80	3.82
	47°F	30682	30068	29918	29366	29102	3.72	3.75	3.76	3.77	3.78
	52°F	28457	27887	27748	27237	26991	3.52	3.55	3.56	3.56	3.58
	57°F	26232	25707	25578	25107	24881	3.32	3.34	3.35	3.36	3.37
	59°F	25342	24835	24711	24255	24037	3.24	3.26	3.27	3.27	3.29
62°F	24007	23526	23409	22977	22771	3.11	3.14	3.14	3.15	3.16	
64.4°F	23117	22654	22541	22126	21926	3.03	3.06	3.06	3.07	3.08	

25MPHP-HH-SYS-B Expanded Heating @ 694 CFM

CFM	HEATING PERFORMANCE AT INDOOR DRY BULB TEMPERATURE										
	OD DB (°F)	TC : Total Heating Capacity(BTU/hr)					PI : Power Input(kW)				
		Indoor Conditions (DB °F)					Indoor Conditions (DB °F)				
		60.8°F	68°F	70°F	71.6°F	75.2°F	60.8°F	68°F	70°F	71.6°F	75.2°F
694	-22°F	18114	17752	17663	17810	17650	3.07	3.09	3.10	3.11	3.12
	-13°F	21243	20818	20714	20481	20297	3.82	3.85	3.86	3.86	3.88
	-4°F	24940	24441	24319	24046	23829	4.44	4.48	4.49	4.50	4.52
	0°F	26582	26050	25920	25629	25398	4.71	4.75	4.76	4.77	4.79
	5°F	28634	28061	27921	27607	27359	5.04	5.09	5.10	5.11	5.13
	14°F	30019	29419	29272	28943	28682	4.32	4.36	4.36	4.37	4.39
	17°F	30481	29871	29722	29388	29123	4.08	4.11	4.12	4.13	4.15
	22°F	30560	29949	29799	29464	29199	4.03	4.06	4.07	4.07	4.09
	27°F	30639	30026	29876	29540	29274	3.97	4.00	4.01	4.02	4.04
	32°F	30717	30103	29953	29616	29349	3.92	3.95	3.96	3.97	3.98
	35°F	30765	30149	29999	29661	29394	3.89	3.92	3.93	3.93	3.95
	37°F	31025	30405	30253	29913	29643	3.87	3.90	3.91	3.91	3.93
	42°F	31677	31043	30888	30541	30266	3.81	3.84	3.85	3.86	3.88
	44.6°F	31937	31298	31142	30792	30515	3.79	3.82	3.83	3.84	3.85
	47°F	32328	31681	31523	31169	30888	3.76	3.79	3.80	3.81	3.82
	52°F	29984	29384	29237	28908	28648	3.56	3.58	3.59	3.60	3.61
	57°F	27639	27086	26951	26648	26408	3.35	3.38	3.38	3.39	3.40
	59°F	26701	26167	26037	25744	25512	3.27	3.29	3.30	3.31	3.32
62°F	25295	24789	24665	24388	24168	3.14	3.17	3.18	3.18	3.20	
64.4°F	24357	23870	23751	23484	23272	3.06	3.09	3.09	3.10	3.11	

25MPHP-HH-SYS-B Expanded Heating @ 759 CFM

CFM	HEATING PERFORMANCE AT INDOOR DRY BULB TEMPERATURE										
	OD DB (°F)	TC : Total Heating Capacity(BTU/hr)					PI : Power Input(kW)				
		Indoor Conditions (DB °F)					Indoor Conditions (DB °F)				
		60.8°F	68°F	70°F	71.6°F	75.2°F	60.8°F	68°F	70°F	71.6°F	75.2°F
759	-22°F	19464	19075	18979	18903	18733	3.10	3.12	3.13	3.14	3.15
	-13°F	22383	21935	21826	21738	21543	3.86	3.89	3.89	3.90	3.92
	-4°F	26278	25753	25624	25522	25292	4.49	4.53	4.54	4.54	4.56
	0°F	28008	27448	27311	27202	26957	4.76	4.80	4.81	4.82	4.84
	5°F	30171	29567	29419	29302	29038	5.10	5.14	5.15	5.16	5.18
	14°F	31630	30998	30843	30719	30443	4.36	4.40	4.41	4.42	4.43
	17°F	32117	31474	31317	31192	30911	4.12	4.15	4.16	4.17	4.19
	22°F	32200	31556	31398	31272	30991	4.07	4.10	4.11	4.12	4.13
	27°F	32283	31637	31479	31353	31071	4.01	4.04	4.05	4.06	4.08
	32°F	32366	31718	31560	31434	31151	3.96	3.99	4.00	4.01	4.02
	35°F	32416	31767	31608	31482	31199	3.93	3.96	3.97	3.97	3.99
	37°F	32690	32036	31876	31749	31463	3.91	3.94	3.94	3.95	3.97
	42°F	33376	32709	32545	32415	32123	3.85	3.88	3.89	3.90	3.91
	44.6°F	33651	32978	32813	32682	32388	3.83	3.86	3.87	3.88	3.89
	47°F	34063	33381	33215	33082	32784	3.80	3.83	3.84	3.84	3.86
	52°F	31593	30961	30806	30683	30407	3.59	3.62	3.63	3.63	3.65
	57°F	29122	28540	28397	28284	28029	3.38	3.41	3.42	3.42	3.44
	59°F	28134	27572	27434	27324	27078	3.30	3.33	3.33	3.34	3.35
62°F	26652	26119	25989	25885	25652	3.18	3.20	3.21	3.21	3.23	
64.4°F	25664	25151	25025	24925	24701	3.09	3.12	3.12	3.13	3.14	

25MPHP-HH-SYS-B Expanded Heating @ 824 CFM

CFM	HEATING PERFORMANCE AT INDOOR DRY BULB TEMPERATURE										
	OD DB (°F)	TC : Total Heating Capacity(BTU/hr)					PI : Power Input(kW)				
		Indoor Conditions (DB °F)					Indoor Conditions (DB °F)				
		60.8°F	68°F	70°F	71.6°F	75.2°F	60.8°F	68°F	70°F	71.6°F	75.2°F
824	-22°F	20508	20098	19998	19918	19738	3.13	3.16	3.16	3.17	3.18
	-13°F	23584	23112	22997	22905	22699	3.89	3.93	3.93	3.94	3.96
	-4°F	27689	27135	26999	26891	26649	4.54	4.57	4.58	4.59	4.61
	0°F	29511	28921	28776	28661	28403	4.81	4.85	4.86	4.87	4.88
	5°F	31790	31154	30998	30874	30596	5.15	5.19	5.20	5.21	5.23
	14°F	33327	32661	32498	32368	32076	4.41	4.44	4.45	4.46	4.48
	17°F	33840	33163	32997	32865	32570	4.16	4.20	4.20	4.21	4.23
	22°F	33928	33249	33083	32950	32654	4.11	4.14	4.15	4.16	4.17
	27°F	34015	33335	33168	33035	32738	4.05	4.09	4.09	4.10	4.12
	32°F	34103	33420	33253	33120	32822	4.00	4.03	4.04	4.05	4.06
	35°F	34155	33472	33305	33171	32873	3.97	4.00	4.01	4.01	4.03
	37°F	34444	33755	33587	33452	33151	3.94	3.98	3.98	3.99	4.01
	42°F	35167	34464	34292	34155	33847	3.89	3.92	3.93	3.94	3.95
	44.6°F	35457	34748	34574	34436	34126	3.87	3.90	3.91	3.92	3.93
	47°F	35891	35173	34997	34857	34543	3.84	3.87	3.88	3.88	3.90
	52°F	33288	32622	32459	32329	32038	3.63	3.66	3.66	3.67	3.69
	57°F	30685	30071	29921	29801	29533	3.42	3.45	3.45	3.46	3.47
	59°F	29644	29051	28906	28790	28531	3.33	3.36	3.37	3.37	3.39
62°F	28082	27521	27383	27274	27028	3.21	3.23	3.24	3.25	3.26	
64.4°F	27041	26500	26368	26262	26026	3.12	3.15	3.16	3.16	3.18	

30MPHP-HH-SYS-B Expanded Cooling @ 712 CFM

CFM	OD DB (°F)	ID WB	60.8°F (16.0°C)					64.4°F (18.0°C)					67°F (19.4°C)					71.6°F (22.0°C)				
			73.4°F	77.0°F	80.0°F	80.6°F	84.2°F	73.4°F	77.0°F	80.0°F	80.6°F	84.2°F	73.4°F	77.0°F	80.0°F	80.6°F	84.2°F	73.4°F	77.0°F	80.0°F	80.6°F	84.2°F
			23.0°C	25.0°C	26.7°C	27.0°C	29.0°C	23.0°C	25.0°C	26.7°C	27.0°C	29.0°C	23.0°C	25.0°C	26.7°C	27.0°C	29.0°C	23.0°C	25.0°C	26.7°C	27.0°C	29.0°C
712	50°F (10°C)	TC	23781	23813	23839	23840	23872	25215	25244	25269	25274	25304	26721	26756	26785	26790	26820	28331	28362	28393	28397	28432
		S/T	0.40	0.47	0.54	0.54	0.61	0.43	0.50	0.57	0.57	0.65	0.45	0.53	0.60	0.60	0.69	0.48	0.56	0.64	0.64	0.73
		PI	0.86	0.86	0.86	0.86	0.86	0.91	0.91	0.91	0.91	0.91	0.96	0.96	0.96	0.96	0.97	1.02	1.02	1.02	1.02	1.02
	59°F (15°C)	TC	24437	24469	24496	24497	24530	25909	25940	25966	25971	26001	27457	27493	27523	27529	27559	29111	29143	29175	29179	29216
		S/T	0.41	0.48	0.54	0.54	0.62	0.43	0.50	0.57	0.57	0.65	0.46	0.53	0.61	0.61	0.69	0.48	0.57	0.64	0.64	0.73
		PI	0.98	0.98	0.98	0.98	0.98	1.04	1.04	1.04	1.04	1.04	1.10	1.10	1.10	1.10	1.11	1.17	1.17	1.17	1.17	1.17
	68°F (20°C)	TC	25092	25125	25153	25154	25188	26604	26635	26662	26667	26699	28193	28230	28261	28267	28298	29892	29925	29957	29962	29999
		S/T	0.42	0.49	0.55	0.55	0.63	0.44	0.52	0.59	0.59	0.67	0.47	0.55	0.62	0.62	0.71	0.50	0.58	0.66	0.66	0.75
		PI	1.10	1.11	1.11	1.11	1.11	1.17	1.17	1.17	1.17	1.18	1.24	1.24	1.24	1.24	1.25	1.32	1.32	1.32	1.32	1.32
	77°F (25°C)	TC	25747	25782	25809	25811	25845	27299	27331	27358	27363	27396	28930	28967	28999	29005	29037	30673	30706	30739	30744	30782
		S/T	0.42	0.49	0.56	0.56	0.64	0.45	0.52	0.60	0.60	0.68	0.47	0.56	0.63	0.63	0.72	0.50	0.59	0.67	0.67	0.76
		PI	1.23	1.23	1.23	1.23	1.23	1.30	1.30	1.31	1.31	1.31	1.38	1.38	1.38	1.38	1.39	1.46	1.47	1.47	1.47	1.47
	82°F (27.8°C)	TC	26209	26245	26273	26274	26310	27789	27822	27849	27855	27888	29449	29487	29520	29526	29559	31224	31258	31292	31296	31335
		S/T	0.43	0.50	0.57	0.57	0.65	0.45	0.53	0.60	0.60	0.69	0.48	0.56	0.64	0.64	0.73	0.51	0.60	0.68	0.68	0.77
		PI	1.44	1.45	1.45	1.45	1.45	1.53	1.53	1.53	1.53	1.54	1.62	1.62	1.63	1.63	1.63	1.72	1.72	1.72	1.72	1.73
	86°F (30°C)	TC	26704	26740	26769	26770	26806	28313	28347	28375	28380	28414	30005	30044	30077	30083	30116	31813	31847	31882	31887	31926
		S/T	0.43	0.51	0.58	0.58	0.66	0.46	0.54	0.61	0.61	0.70	0.49	0.57	0.65	0.65	0.74	0.51	0.60	0.69	0.69	0.78
		PI	1.80	1.80	1.80	1.80	1.81	1.91	1.91	1.91	1.91	1.91	2.02	2.02	2.03	2.03	2.03	2.14	2.15	2.15	2.15	2.15
	95°F (35°C)	TC	27816	27853	27883	27885	27922	29492	29527	29556	29562	29597	31254	31295	31330	31336	31371	33138	33174	33210	33215	33256
		S/T	0.43	0.51	0.58	0.58	0.66	0.46	0.54	0.61	0.61	0.70	0.49	0.57	0.65	0.65	0.74	0.51	0.60	0.69	0.69	0.78
		PI	2.60	2.60	2.60	2.61	2.61	2.76	2.76	2.76	2.76	2.77	2.92	2.92	2.93	2.93	2.93	3.10	3.10	3.10	3.10	3.11
	104°F (40°C)	TC	24983	25017	25044	25045	25079	26489	26520	26547	26552	26583	28072	28108	28139	28145	28176	29763	29795	29828	29832	29870
		S/T	0.44	0.52	0.59	0.59	0.67	0.47	0.55	0.63	0.63	0.71	0.50	0.58	0.66	0.66	0.76	0.53	0.62	0.70	0.70	0.80
		PI	2.57	2.57	2.58	2.58	2.58	2.73	2.73	2.73	2.73	2.74	2.89	2.89	2.90	2.90	2.90	3.06	3.07	3.07	3.07	3.07
110°F (43°C)	TC	23284	23315	23340	23341	23373	24687	24716	24741	24746	24775	26162	26196	26225	26230	26259	27738	27769	27799	27803	27838	
	S/T	0.46	0.54	0.61	0.61	0.70	0.49	0.57	0.65	0.65	0.74	0.52	0.61	0.69	0.69	0.78	0.55	0.64	0.73	0.73	0.83	
	PI	2.55	2.56	2.56	2.56	2.56	2.71	2.71	2.71	2.71	2.72	2.87	2.87	2.88	2.88	2.88	3.04	3.05	3.05	3.05	3.05	
115°F (46°C)	TC	19860	19887	19909	19910	19936	21057	21082	21103	21107	21132	22315	22344	22369	22373	22398	23660	23686	23711	23715	23745	
	S/T	0.46	0.55	0.62	0.62	0.71	0.49	0.58	0.66	0.66	0.75	0.52	0.61	0.70	0.70	0.79	0.55	0.65	0.74	0.74	0.84	
	PI	2.31	2.31	2.31	2.31	2.32	2.45	2.45	2.45	2.45	2.46	2.59	2.60	2.60	2.60	2.60	2.75	2.75	2.76	2.76	2.76	
122°F (50°C)	TC	15296	15316	15333	15334	15354	16218	16237	16253	16256	16275	17187	17209	17228	17231	17251	18222	18242	18262	18265	18287	
	S/T	0.48	0.56	0.63	0.63	0.72	0.50	0.59	0.67	0.67	0.77	0.53	0.63	0.71	0.71	0.81	0.57	0.66	0.75	0.75	0.86	
	PI	1.98	1.98	1.98	1.98	1.99	2.10	2.10	2.10	2.10	2.11	2.22	2.23	2.23	2.23	2.23	2.36	2.36	2.36	2.36	2.37	

TC:Total Cooling Capacity (BTU/hr)

S/T:Sensible Cooling Capacity Ratio

PI:Power Input(kW)

30MPHP-HH-SYS-B Expanded Cooling @ 806 CFM

CFM	OD DB (°F)	ID WB	60.8°F (16.0°C)					64.4°F (18.0°C)					67°F (19.4°C)					71.6°F (22.0°C)				
			73.4°F	77.0°F	80.0°F	80.6°F	84.2°F	73.4°F	77.0°F	80.0°F	80.6°F	84.2°F	73.4°F	77.0°F	80.0°F	80.6°F	84.2°F	73.4°F	77.0°F	80.0°F	80.6°F	84.2°F
			23.0°C	25.0°C	26.7°C	27.0°C	29.0°C	23.0°C	25.0°C	26.7°C	27.0°C	29.0°C	23.0°C	25.0°C	26.7°C	27.0°C	29.0°C	23.0°C	25.0°C	26.7°C	27.0°C	29.0°C
806	50°F (10°C)	TC	25519	25553	25581	25582	25617	27057	27089	27116	27121	27153	28673	28711	28743	28748	28780	30401	30434	30467	30472	30510
		S/T	0.43	0.51	0.58	0.58	0.66	0.46	0.54	0.61	0.61	0.70	0.49	0.57	0.65	0.65	0.74	0.52	0.60	0.69	0.69	0.78
		PI	0.92	0.92	0.92	0.92	0.92	0.97	0.98	0.98	0.98	0.98	1.03	1.03	1.04	1.04	1.04	1.09	1.10	1.10	1.10	1.10
	59°F (15°C)	TC	26222	26257	26286	26287	26322	27802	27835	27863	27868	27901	29463	29502	29535	29540	29573	31239	31273	31307	31312	31351
		S/T	0.43	0.51	0.58	0.58	0.66	0.46	0.54	0.61	0.61	0.70	0.49	0.57	0.65	0.65	0.74	0.52	0.61	0.69	0.69	0.79
		PI	1.05	1.05	1.05	1.05	1.06	1.12	1.12	1.12	1.12	1.12	1.18	1.18	1.19	1.19	1.19	1.25	1.25	1.26	1.26	1.26
	68°F (20°C)	TC	26925	26961	26990	26992	27028	28548	28582	28610	28616	28650	30253	30293	30327	30332	30366	32076	32111	32146	32151	32191
		S/T	0.45	0.52	0.60	0.60	0.68	0.47	0.56	0.63	0.63	0.72	0.50	0.59	0.67	0.67	0.76	0.53	0.62	0.71	0.71	0.81
		PI	1.19	1.19	1.19	1.19	1.19	1.26	1.26	1.26	1.26	1.26	1.33	1.33	1.34	1.34	1.34	1.41	1.41	1.42	1.42	1.42
	77°F (25°C)	TC	27628	27665	27695	27697	27734	29293	29328	29357	29363	29398	31043	31084	31118	31124	31159	32914	32950	32986	32991	33032
		S/T	0.45	0.53	0.60	0.60	0.69	0.48	0.56	0.64	0.64	0.73	0.51	0.60	0.68	0.68	0.77	0.54	0.63	0.72	0.72	0.82
		PI	1.32	1.32	1.32	1.32	1.32	1.40	1.40	1.40	1.40	1.40	1.48	1.48	1.49	1.49	1.49	1.57	1.57	1.57	1.57	1.58
	82°F (27.8°C)	TC	28125	28162	28193	28194	28232	29820	29855	29884	29890	29926	31601	31642	31677	31683	31719	33505	33542	33578	33583	33625
		S/T	0.46	0.54	0.61	0.61	0.70	0.49	0.57	0.65	0.65	0.74	0.51	0.60	0.69	0.69	0.78	0.55	0.64	0.73	0.73	0.83
		PI	1.55	1.55	1.55	1.55	1.55	1.64	1.64	1.65	1.65	1.65	1.74	1.74	1.74	1.75	1.75	1.85	1.85	1.85	1.85	1.85
	86°F (30°C)	TC	28655	28694	28725	28726	28765	30382	30418	30448	30454	30490	32197	32239	32275	32281	32317	34137	34174	34211	34217	34259
		S/T	0.46	0.54	0.62	0.62	0.70	0.49	0.58	0.66	0.66	0.75	0.52	0.61	0.69	0.69	0.79	0.55	0.65	0.74	0.74	0.84
		PI	1.93	1.93	1.94	1.94	1.94	2.05	2.05	2.05	2.05	2.05	2.17	2.17	2.17	2.17	2.18	2.30	2.30	2.30	2.31	2.31
	95°F (35°C)	TC	29849	29889	29921	29922	29963	31647	31685	31716	31722	31760	33538	33582	33619	33625	33663	35559	35598	35636	35642	35686
		S/T	0.46	0.54	0.62	0.62	0.70	0.49	0.58	0.66	0.66	0.75	0.52	0.61	0.69	0.69	0.79	0.55	0.65	0.74	0.74	0.84
		PI	2.79	2.79	2.80	2.80	2.80	2.96	2.96	2.96	2.96	2.97	3.13	3.14	3.14	3.14	3.14	3.32	3.33	3.33	3.33	3.33
	104°F (40°C)	TC	26809	26845	26874	26875	26911	28425	28458	28486	28492	28526	30123	30162	30196	30201	30235	31938	31973	32007	32012	32052
		S/T	0.48	0.56	0.63	0.63	0.72	0.50	0.59	0.67	0.67	0.77	0.53	0.63	0.71	0.71	0.81	0.57	0.66	0.75	0.75	0.86
		PI	2.76	2.76	2.77	2.77	2.77	2.92	2.93	2.93	2.93	2.93	3.10	3.10	3.11	3.11	3.11	3.29	3.29	3.29	3.29	3.30
110°F (43°C)	TC	24985	25019	25046	25047	25081	26491	26522	26549	26554	26585	28074	28110	28142	28147	28178	29765	29798	29830	29835	29872	
	S/T	0.49	0.58	0.66	0.66	0.75	0.52	0.61	0.70	0.70	0.79	0.55	0.65	0.74	0.74	0.84	0.59	0.69	0.78	0.78	0.89	
	PI	2.74	2.74	2.75	2.75	2.75	2.91	2.91	2.91	2.91	2.92	3.08	3.08	3.09	3.09	3.09	3.26	3.27	3.27	3.27	3.28	
115°F (46°C)	TC	21312	21340	21363	21364	21393	22596	22623	22645	22650	22677	23946	23977	24004	24008	24035	25389	25416	25444	25448	25480	
	S/T	0.50	0.58	0.66	0.66	0.76	0.53	0.62	0.70	0.70	0.80	0.56	0.66	0.75	0.75	0.85	0.59	0.70	0.79	0.79	0.90	
	PI	2.48	2.48	2.48	2.48	2.49	2.63	2.63	2.63	2.63	2.63	2.78	2.79	2.79	2.79	2.79	2.95	2.95	2.96	2.96	2.96	
122°F (50°C)	TC	16414	16436	16453	16454	16476	17403	17423	17441	17444	17465	18442	18466	18487	18490	18511	19554	19575	19596	19599	19624	
	S/T	0.51	0.60	0.68	0.68	0.78	0.54	0.63	0.72	0.72	0.82	0.57	0.67	0.76	0.76	0.87	0.61	0.71	0.81	0.81	0.92	
	PI	2.12	2.13	2.13	2.13	2.13	2.25	2.25	2.26	2.26	2.26	2.39	2.39	2.39	2.39	2.40	2.53	2.53	2.54	2.54	2.54	

TC:Total Cooling Capacity (BTU/hr)

S/T:Sensible Cooling Capacity Ratio

PI:Power Input(kW)

30MPHP-HH-SYS-B Expanded Cooling @ 894 CFM

CFM	OD DB (°F)	ID WB	60.8°F (16.0°C)					64.4°F (18.0°C)					67°F (19.4°C)					71.6°F (22.0°C)				
			73.4°F	77.0°F	80.0°F	80.6°F	84.2°F	73.4°F	77.0°F	80.0°F	80.6°F	84.2°F	73.4°F	77.0°F	80.0°F	80.6°F	84.2°F	73.4°F	77.0°F	80.0°F	80.6°F	84.2°F
			23.0°C	25.0°C	26.7°C	27.0°C	29.0°C	23.0°C	25.0°C	26.7°C	27.0°C	29.0°C	23.0°C	25.0°C	26.7°C	27.0°C	29.0°C	23.0°C	25.0°C	26.7°C	27.0°C	29.0°C
894	50°F (10°C)	TC	27384	27421	27450	27451	27488	29034	29068	29097	29103	29137	30769	30809	30843	30849	30883	32623	32658	32694	32699	32739
		S/T	0.46	0.54	0.62	0.62	0.71	0.49	0.58	0.66	0.66	0.75	0.52	0.61	0.70	0.70	0.79	0.55	0.65	0.74	0.74	0.84
		PI	0.99	0.99	0.99	0.99	0.99	1.05	1.05	1.05	1.05	1.05	1.11	1.11	1.11	1.11	1.11	1.17	1.18	1.18	1.18	1.18
	59°F (15°C)	TC	28138	28176	28206	28208	28246	29834	29869	29899	29905	29940	31616	31657	31693	31699	31734	33521	33558	33594	33600	33641
		S/T	0.47	0.55	0.62	0.62	0.71	0.49	0.58	0.66	0.66	0.75	0.52	0.62	0.70	0.70	0.80	0.56	0.65	0.74	0.74	0.84
		PI	1.13	1.13	1.13	1.13	1.13	1.20	1.20	1.20	1.20	1.20	1.27	1.27	1.27	1.27	1.27	1.35	1.35	1.35	1.35	1.35
	68°F (20°C)	TC	28893	28932	28963	28964	29003	30634	30670	30700	30707	30743	32464	32506	32542	32549	32585	34420	34458	34495	34500	34543
		S/T	0.48	0.56	0.64	0.64	0.73	0.51	0.60	0.68	0.68	0.77	0.54	0.63	0.72	0.72	0.82	0.57	0.67	0.76	0.76	0.87
		PI	1.27	1.27	1.28	1.28	1.28	1.35	1.35	1.35	1.35	1.35	1.43	1.43	1.43	1.43	1.43	1.52	1.52	1.52	1.52	1.52
	77°F (25°C)	TC	29647	29687	29719	29720	29760	31434	31471	31502	31508	31546	33312	33355	33392	33398	33436	35319	35357	35396	35401	35445
		S/T	0.49	0.57	0.65	0.65	0.74	0.51	0.60	0.69	0.69	0.78	0.55	0.64	0.73	0.73	0.83	0.58	0.68	0.77	0.77	0.88
		PI	1.42	1.42	1.42	1.42	1.42	1.50	1.50	1.50	1.50	1.51	1.59	1.59	1.59	1.59	1.60	1.69	1.69	1.69	1.69	1.69
	82°F (27.8°C)	TC	30180	30220	30253	30254	30295	31999	32036	32068	32074	32112	33910	33954	33992	33998	34036	35953	35992	36032	36037	36082
		S/T	0.49	0.58	0.66	0.66	0.75	0.52	0.61	0.69	0.69	0.79	0.55	0.65	0.74	0.74	0.84	0.59	0.69	0.78	0.78	0.89
		PI	1.66	1.66	1.67	1.67	1.67	1.76	1.76	1.77	1.77	1.77	1.87	1.87	1.87	1.87	1.87	1.98	1.98	1.98	1.98	1.99
	86°F (30°C)	TC	30749	30790	30823	30825	30866	32602	32641	32673	32679	32718	34550	34595	34633	34640	34678	36632	36671	36711	36717	36763
		S/T	0.50	0.58	0.66	0.66	0.76	0.53	0.62	0.70	0.70	0.80	0.56	0.66	0.75	0.75	0.85	0.59	0.70	0.79	0.79	0.90
		PI	2.07	2.07	2.08	2.08	2.08	2.20	2.20	2.20	2.20	2.20	2.33	2.33	2.33	2.33	2.34	2.47	2.47	2.47	2.47	2.48
	95°F (35°C)	TC	32030	32073	32107	32109	32152	33960	34000	34034	34040	34081	35989	36036	36076	36082	36123	38157	38199	38240	38246	38294
		S/T	0.50	0.58	0.66	0.66	0.76	0.53	0.62	0.70	0.70	0.80	0.56	0.66	0.75	0.75	0.85	0.59	0.70	0.79	0.79	0.90
		PI	2.99	3.00	3.00	3.00	3.00	3.17	3.18	3.18	3.18	3.18	3.36	3.37	3.37	3.37	3.37	3.56	3.57	3.57	3.57	3.58
	104°F (40°C)	TC	28768	28807	28838	28839	28878	30502	30538	30568	30574	30610	32324	32366	32402	32408	32444	34272	34309	34346	34352	34394
		S/T	0.51	0.60	0.68	0.68	0.78	0.54	0.63	0.72	0.72	0.82	0.57	0.67	0.76	0.76	0.87	0.61	0.71	0.81	0.81	0.92
		PI	2.96	2.96	2.97	2.97	2.97	3.14	3.14	3.15	3.15	3.15	3.33	3.33	3.33	3.33	3.34	3.53	3.53	3.53	3.53	3.54
	110°F (43°C)	TC	26811	26847	26876	26877	26913	28427	28460	28489	28494	28528	30125	30164	30198	30203	30237	31940	31975	32010	32015	32055
		S/T	0.53	0.62	0.70	0.71	0.80	0.56	0.66	0.75	0.75	0.85	0.59	0.70	0.79	0.79	0.90	0.63	0.74	0.84	0.84	0.96
		PI	2.94	2.94	2.95	2.95	2.95	3.12	3.12	3.12	3.13	3.13	3.30	3.31	3.31	3.31	3.32	3.50	3.51	3.51	3.51	3.52
	115°F (46°C)	TC	22869	22900	22924	22925	22956	24247	24276	24300	24305	24334	25696	25729	25758	25763	25791	27244	27274	27303	27308	27342
		S/T	0.53	0.63	0.71	0.71	0.81	0.57	0.67	0.76	0.76	0.86	0.60	0.71	0.80	0.80	0.91	0.64	0.75	0.85	0.85	0.97
		PI	2.66	2.66	2.66	2.66	2.67	2.82	2.82	2.82	2.82	2.83	2.99	2.99	2.99	2.99	3.00	3.17	3.17	3.17	3.17	3.18
	122°F (50°C)	TC	17613	17637	17656	17656	17680	18674	18697	18715	18719	18741	19790	19816	19838	19842	19864	20982	21005	21028	21031	21058
		S/T	0.55	0.64	0.73	0.73	0.83	0.58	0.68	0.77	0.77	0.88	0.62	0.72	0.82	0.82	0.93	0.65	0.76	0.87	0.87	0.99
		PI	2.28	2.28	2.28	2.29	2.29	2.42	2.42	2.42	2.42	2.43	2.56	2.56	2.57	2.57	2.57	2.72	2.72	2.72	2.72	2.73

TC:Total Cooling Capacity (BTU/hr)

S/T:Sensible Cooling Capacity Ratio

PI:Power Input(kW)

30MPHP-HH-SYS-B Expanded Cooling @ 988 CFM

CFM	OD DB (°F)	ID WB ID DB	60.8°F (16.0°C)					64.4°F (18.0°C)					67°F (19.4°C)					71.6°F (22.0°C)				
			73.4°F	77.0°F	80.0°F	80.6°F	84.2°F	73.4°F	77.0°F	80.0°F	80.6°F	84.2°F	73.4°F	77.0°F	80.0°F	80.6°F	84.2°F	73.4°F	77.0°F	80.0°F	80.6°F	84.2°F
			23.0°C	25.0°C	26.7°C	27.0°C	29.0°C	23.0°C	25.0°C	26.7°C	27.0°C	29.0°C	23.0°C	25.0°C	26.7°C	27.0°C	29.0°C	23.0°C	25.0°C	26.7°C	27.0°C	29.0°C
988	50°F (10°C)	TC	29385	29424	29456	29457	29497	31156	31192	31223	31229	31267	33017	33060	33097	33103	33140	35006	35044	35082	35088	35132
		S/T	0.50	0.58	0.66	0.66	0.76	0.53	0.62	0.70	0.70	0.80	0.56	0.66	0.75	0.75	0.85	0.59	0.70	0.79	0.79	0.90
		PI	1.06	1.06	1.06	1.06	1.06	1.12	1.12	1.12	1.12	1.13	1.19	1.19	1.19	1.19	1.19	1.26	1.26	1.26	1.26	1.27
	59°F (15°C)	TC	30194	30235	30267	30269	30310	32014	32052	32084	32090	32128	33927	33971	34009	34015	34053	35971	36010	36049	36055	36100
		S/T	0.50	0.59	0.67	0.67	0.76	0.53	0.62	0.71	0.71	0.81	0.56	0.66	0.75	0.75	0.86	0.60	0.70	0.80	0.80	0.91
		PI	1.21	1.21	1.21	1.21	1.22	1.28	1.29	1.29	1.29	1.29	1.36	1.36	1.36	1.36	1.37	1.44	1.44	1.45	1.45	1.45
	68°F (20°C)	TC	31004	31046	31079	31080	31122	32872	32911	32944	32950	32989	34836	34882	34920	34927	34966	36935	36975	37016	37021	37067
		S/T	0.51	0.60	0.69	0.69	0.78	0.54	0.64	0.73	0.73	0.83	0.58	0.68	0.77	0.77	0.88	0.61	0.72	0.82	0.82	0.93
		PI	1.37	1.37	1.37	1.37	1.37	1.45	1.45	1.45	1.45	1.45	1.53	1.54	1.54	1.54	1.54	1.63	1.63	1.63	1.63	1.63
	77°F (25°C)	TC	31813	31856	31891	31892	31935	33731	33771	33804	33811	33851	35746	35792	35832	35839	35879	37900	37941	37982	37988	38035
		S/T	0.52	0.61	0.69	0.69	0.79	0.55	0.65	0.74	0.74	0.84	0.59	0.69	0.78	0.78	0.89	0.62	0.73	0.83	0.83	0.94
		PI	1.52	1.52	1.52	1.52	1.52	1.61	1.61	1.61	1.61	1.62	1.71	1.71	1.71	1.71	1.71	1.81	1.81	1.81	1.81	1.82
	82°F (27.8°C)	TC	32385	32429	32463	32465	32509	34337	34377	34411	34418	34459	36388	36435	36476	36483	36523	38581	38622	38665	38671	38719
		S/T	0.53	0.62	0.70	0.70	0.80	0.56	0.66	0.75	0.75	0.85	0.59	0.70	0.79	0.79	0.90	0.63	0.74	0.84	0.84	0.95
		PI	1.78	1.79	1.79	1.79	1.79	1.89	1.89	1.90	1.90	1.90	2.00	2.01	2.01	2.01	2.01	2.12	2.13	2.13	2.13	2.13
	86°F (30°C)	TC	32996	33040	33076	33077	33122	34984	35026	35060	35067	35109	37074	37123	37164	37171	37212	39308	39351	39394	39400	39449
		S/T	0.53	0.63	0.71	0.71	0.81	0.57	0.66	0.75	0.75	0.86	0.60	0.70	0.80	0.80	0.91	0.64	0.75	0.85	0.85	0.97
		PI	2.22	2.23	2.23	2.23	2.23	2.36	2.36	2.36	2.36	2.37	2.50	2.50	2.50	2.50	2.51	2.65	2.65	2.65	2.65	2.66
	95°F (35°C)	TC	34370	34416	34453	34455	34501	36441	36485	36521	36528	36571	38619	38669	38712	38719	38762	40945	40990	41035	41041	41092
		S/T	0.53	0.63	0.71	0.71	0.81	0.57	0.66	0.75	0.75	0.86	0.60	0.70	0.80	0.80	0.91	0.64	0.75	0.85	0.85	0.97
		PI	3.21	3.22	3.22	3.22	3.22	3.40	3.41	3.41	3.41	3.42	3.61	3.61	3.62	3.62	3.62	3.83	3.83	3.83	3.83	3.84
	104°F (40°C)	TC	30870	30912	30945	30946	30988	32731	32769	32802	32808	32847	34686	34731	34770	34776	34815	36776	36816	36856	36862	36908
		S/T	0.55	0.64	0.73	0.73	0.83	0.58	0.68	0.77	0.77	0.88	0.62	0.72	0.82	0.82	0.93	0.65	0.76	0.87	0.87	0.99
		PI	3.18	3.18	3.18	3.18	3.19	3.37	3.37	3.37	3.38	3.38	3.57	3.57	3.58	3.58	3.58	3.78	3.79	3.79	3.79	3.80
110°F (43°C)	TC	28770	28809	28840	28841	28880	30504	30540	30570	30576	30613	32326	32368	32404	32410	32447	34274	34311	34349	34354	34397	
	S/T	0.57	0.67	0.76	0.76	0.86	0.60	0.71	0.80	0.80	0.91	0.64	0.75	0.85	0.85	0.97	0.68	0.79	0.90	0.90	1.00	
	PI	3.16	3.16	3.16	3.16	3.17	3.35	3.35	3.35	3.35	3.36	3.55	3.55	3.55	3.55	3.56	3.76	3.76	3.77	3.77	3.77	
115°F (46°C)	TC	24540	24573	24600	24601	24634	26019	26050	26075	26081	26112	27573	27609	27640	27645	27676	29235	29267	29298	29303	29339	
	S/T	0.57	0.67	0.77	0.77	0.87	0.61	0.71	0.81	0.81	0.92	0.65	0.76	0.86	0.86	0.98	0.68	0.80	0.91	0.91	1.00	
	PI	2.85	2.86	2.86	2.86	2.86	3.02	3.03	3.03	3.03	3.03	3.20	3.21	3.21	3.21	3.22	3.40	3.40	3.40	3.40	3.41	
122°F (50°C)	TC	18900	18925	18946	18947	18972	20039	20063	20083	20086	20110	21236	21264	21287	21291	21315	22516	22540	22565	22568	22596	
	S/T	0.59	0.69	0.78	0.78	0.89	0.62	0.73	0.83	0.83	0.95	0.66	0.77	0.88	0.88	1.00	0.70	0.82	0.93	0.93	1.00	
	PI	2.45	2.45	2.45	2.45	2.46	2.59	2.60	2.60	2.60	2.60	2.75	2.75	2.76	2.76	2.76	2.91	2.92	2.92	2.92	2.92	

TC:Total Cooling Capacity (BTU/hr)

S/T:Sensible Cooling Capacity Ratio

PI:Power Input(kW)

30MPHP-HH-SYS-B Expanded Heating @ 712 CFM

CFM	HEATING PERFORMANCE AT INDOOR DRY BULB TEMPERATURE										
	OD DB (°F)	TC : Total Heating Capacity(BTU/hr)					PI : Power Input(kW)				
		Indoor Conditions (DB °F)					Indoor Conditions (DB °F)				
		60.8°F	68°F	70°F	71.6°F	75.2°F	60.8°F	68°F	70°F	71.6°F	75.2°F
712	-22°F	16014	15694	15615	16052	15907	3.65	3.68	3.69	3.70	3.71
	-13°F	19407	19019	18924	18705	18536	4.02	4.05	4.06	4.06	4.08
	-4°F	23397	22929	22814	22550	22347	4.23	4.26	4.27	4.28	4.30
	0°F	25277	24772	24648	24363	24143	4.40	4.43	4.44	4.45	4.47
	5°F	27628	27075	26940	26628	26388	4.60	4.64	4.65	4.66	4.68
	14°F	30417	29809	29660	29316	29053	4.50	4.53	4.54	4.55	4.57
	17°F	31347	30720	30566	30213	29941	4.46	4.50	4.51	4.51	4.53
	22°F	29691	29098	28952	28617	28360	4.05	4.08	4.09	4.10	4.11
	27°F	28036	27475	27338	27021	26778	3.63	3.66	3.67	3.68	3.69
	32°F	26380	25853	25724	25426	25197	3.22	3.24	3.25	3.26	3.27
	35°F	25387	24879	24755	24469	24248	2.97	2.99	3.00	3.01	3.02
	37°F	26477	25947	25818	25519	25289	2.96	2.98	2.99	2.99	3.01
	42°F	29201	28617	28474	28144	27891	2.93	2.95	2.96	2.96	2.97
	44.6°F	30290	29684	29536	29194	28931	2.91	2.94	2.94	2.95	2.96
	47°F	31925	31286	31130	30769	30492	2.90	2.92	2.93	2.93	2.94
	52°F	28920	28342	28200	27873	27623	2.64	2.66	2.67	2.67	2.68
	57°F	25915	25397	25270	24978	24753	2.38	2.40	2.41	2.41	2.42
	59°F	24713	24219	24098	23819	23605	2.28	2.30	2.30	2.31	2.32
62°F	22911	22452	22340	22082	21883	2.13	2.14	2.15	2.15	2.16	
64.4°F	21709	21275	21168	20923	20735	2.02	2.04	2.04	2.05	2.06	

30MPHP-HH-SYS-B Expanded Heating @ 806 CFM

CFM	HEATING PERFORMANCE AT INDOOR DRY BULB TEMPERATURE										
	OD DB (°F)	TC : Total Heating Capacity(BTU/hr)					PI : Power Input(kW)				
		Indoor Conditions (DB °F)					Indoor Conditions (DB °F)				
		60.8°F	68°F	70°F	71.6°F	75.2°F	60.8°F	68°F	70°F	71.6°F	75.2°F
806	-22°F	17524	17174	17088	17290	17135	3.69	3.72	3.73	3.74	3.75
	-13°F	20825	20408	20306	20148	19967	4.06	4.09	4.10	4.11	4.12
	-4°F	25107	24604	24481	24291	24072	4.27	4.31	4.32	4.32	4.34
	0°F	27124	26582	26449	26243	26007	4.44	4.48	4.48	4.49	4.51
	5°F	29647	29054	28908	28683	28425	4.65	4.69	4.70	4.71	4.72
	14°F	32640	31987	31827	31579	31295	4.54	4.58	4.59	4.60	4.61
	17°F	33637	32965	32800	32544	32251	4.51	4.54	4.55	4.56	4.58
	22°F	31861	31224	31068	30826	30548	4.09	4.12	4.13	4.14	4.15
	27°F	30085	29483	29335	29107	28845	3.67	3.70	3.71	3.71	3.73
	32°F	28308	27742	27603	27388	27142	3.25	3.28	3.28	3.29	3.30
	35°F	27242	26697	26564	26357	26120	3.00	3.02	3.03	3.04	3.05
	37°F	28411	27843	27704	27488	27241	2.99	3.01	3.02	3.02	3.04
	42°F	31334	30708	30554	30316	30043	2.96	2.98	2.99	2.99	3.00
	44.6°F	32504	31854	31694	31447	31164	2.94	2.97	2.97	2.98	2.99
	47°F	34257	33572	33404	33144	32846	2.93	2.95	2.95	2.96	2.97
	52°F	31033	30412	30260	30025	29754	2.67	2.69	2.69	2.70	2.71
	57°F	27809	27253	27116	26905	26663	2.41	2.43	2.43	2.44	2.45
	59°F	26519	25989	25859	25657	25426	2.30	2.32	2.33	2.33	2.34
62°F	24585	24093	23973	23786	23572	2.15	2.16	2.17	2.17	2.18	
64.4°F	23295	22829	22715	22538	22335	2.04	2.06	2.06	2.07	2.08	

30MPHP-HH-SYS-B Expanded Heating @ 894 CFM

CFM	HEATING PERFORMANCE AT INDOOR DRY BULB TEMPERATURE										
	OD DB (°F)	TC : Total Heating Capacity(BTU/hr)					PI : Power Input(kW)				
		Indoor Conditions (DB °F)					Indoor Conditions (DB °F)				
		60.8°F	68°F	70°F	71.6°F	75.2°F	60.8°F	68°F	70°F	71.6°F	75.2°F
894	-22°F	19177	18794	18700	18625	18457	3.73	3.76	3.77	3.77	3.79
	-13°F	22347	21900	21790	21703	21508	4.10	4.13	4.14	4.15	4.16
	-4°F	26941	26402	26270	26165	25930	4.32	4.35	4.36	4.37	4.39
	0°F	29106	28524	28382	28268	28014	4.48	4.52	4.53	4.54	4.56
	5°F	31813	31177	31021	30897	30619	4.70	4.73	4.74	4.75	4.77
	14°F	35025	34324	34153	34016	33710	4.59	4.62	4.63	4.64	4.66
	17°F	36095	35373	35197	35056	34740	4.55	4.59	4.60	4.61	4.62
	22°F	34189	33505	33338	33204	32906	4.13	4.16	4.17	4.18	4.20
	27°F	32283	31637	31479	31353	31071	3.71	3.74	3.74	3.75	3.77
	32°F	30377	29769	29620	29502	29236	3.28	3.31	3.32	3.32	3.34
	35°F	29233	28648	28505	28391	28135	3.03	3.05	3.06	3.07	3.08
	37°F	30488	29878	29728	29609	29343	3.02	3.04	3.05	3.05	3.07
	42°F	33624	32952	32787	32656	32362	2.99	3.01	3.02	3.02	3.03
	44.6°F	34879	34181	34010	33874	33569	2.97	3.00	3.00	3.01	3.02
	47°F	36761	36025	35845	35702	35381	2.95	2.98	2.98	2.99	3.00
	52°F	33301	32635	32472	32342	32051	2.69	2.71	2.72	2.73	2.74
	57°F	29841	29244	29098	28982	28721	2.43	2.45	2.46	2.46	2.47
	59°F	28457	27888	27748	27637	27389	2.33	2.34	2.35	2.35	2.36
62°F	26381	25854	25724	25621	25391	2.17	2.19	2.19	2.19	2.20	
64.4°F	24997	24497	24375	24277	24059	2.06	2.08	2.08	2.09	2.10	

30MPHP-HH-SYS-B Expanded Heating @ 988 CFM

CFM	HEATING PERFORMANCE AT INDOOR DRY BULB TEMPERATURE										
	OD DB (°F)	TC : Total Heating Capacity(BTU/hr)					PI : Power Input(kW)				
		Indoor Conditions (DB °F)					Indoor Conditions (DB °F)				
		60.8°F	68°F	70°F	71.6°F	75.2°F	60.8°F	68°F	70°F	71.6°F	75.2°F
988	-22°F	20578	20167	20066	19986	19806	3.77	3.80	3.80	3.81	3.83
	-13°F	23980	23500	23382	23289	23079	4.14	4.17	4.18	4.19	4.21
	-4°F	28910	28332	28190	28077	27824	4.36	4.39	4.40	4.41	4.43
	0°F	31233	30609	30456	30334	30061	4.53	4.57	4.58	4.58	4.60
	5°F	34137	33455	33287	33154	32856	4.74	4.78	4.79	4.80	4.82
	14°F	37584	36832	36648	36502	36173	4.63	4.67	4.68	4.69	4.71
	17°F	38733	37958	37768	37617	37279	4.60	4.63	4.64	4.65	4.67
	22°F	36687	35954	35774	35631	35310	4.17	4.20	4.21	4.22	4.24
	27°F	34642	33949	33779	33644	33341	3.74	3.77	3.78	3.79	3.80
	32°F	32596	31944	31785	31658	31373	3.32	3.34	3.35	3.36	3.37
	35°F	31369	30742	30588	30466	30191	3.06	3.09	3.09	3.10	3.11
	37°F	32715	32061	31901	31773	31487	3.05	3.07	3.08	3.09	3.10
	42°F	36081	35359	35183	35042	34726	3.02	3.04	3.05	3.05	3.07
	44.6°F	37427	36679	36495	36349	36022	3.00	3.03	3.03	3.04	3.05
	47°F	39447	38658	38464	38311	37966	2.98	3.01	3.01	3.02	3.03
	52°F	35734	35019	34844	34705	34393	2.72	2.74	2.75	2.75	2.76
	57°F	32021	31381	31224	31099	30819	2.46	2.48	2.48	2.49	2.49
	59°F	30536	29926	29776	29657	29390	2.35	2.37	2.37	2.38	2.39
62°F	28309	27743	27604	27494	27246	2.19	2.21	2.21	2.22	2.23	
64.4°F	26824	26287	26156	26051	25817	2.08	2.10	2.11	2.11	2.12	

36MPHP-HH-SYS-B Expanded Cooling @ 865 CFM

CFM	OD DB (°F)	ID WB ID DB	60.8°F (16.0°C)					64.4°F (18.0°C)					67°F (19.4°C)					71.6°F (22.0°C)				
			73.4°F	77.0°F	80.0°F	80.6°F	84.2°F	73.4°F	77.0°F	80.0°F	80.6°F	84.2°F	73.4°F	77.0°F	80.0°F	80.6°F	84.2°F	73.4°F	77.0°F	80.0°F	80.6°F	84.2°F
			23.0°C	25.0°C	26.7°C	27.0°C	29.0°C	23.0°C	25.0°C	26.7°C	27.0°C	29.0°C	23.0°C	25.0°C	26.7°C	27.0°C	29.0°C	23.0°C	25.0°C	26.7°C	27.0°C	29.0°C
865	50°F (10°C)	TC	28640	28678	28709	28710	28749	30366	30402	30432	30438	30474	32180	32222	32258	32264	32300	34119	34156	34193	34198	34241
		S/T	0.41	0.48	0.55	0.55	0.63	0.44	0.51	0.58	0.58	0.66	0.46	0.54	0.62	0.62	0.70	0.49	0.58	0.65	0.65	0.75
		PI	1.52	1.52	1.52	1.52	1.52	1.61	1.61	1.61	1.61	1.61	1.70	1.71	1.71	1.71	1.71	1.81	1.81	1.81	1.81	1.81
	59°F (15°C)	TC	29028	29067	29098	29100	29139	30777	30814	30844	30850	30887	32616	32658	32695	32701	32737	34581	34619	34656	34662	34705
		S/T	0.41	0.49	0.55	0.55	0.63	0.44	0.52	0.59	0.59	0.67	0.47	0.55	0.62	0.62	0.71	0.49	0.58	0.66	0.66	0.75
		PI	1.74	1.74	1.74	1.74	1.75	1.84	1.85	1.85	1.85	1.85	1.95	1.96	1.96	1.96	1.96	2.07	2.07	2.08	2.08	2.08
	68°F (20°C)	TC	29416	29456	29487	29489	29528	31189	31226	31257	31263	31300	33052	33095	33132	33138	33175	35044	35082	35120	35125	35169
		S/T	0.43	0.50	0.57	0.57	0.65	0.45	0.53	0.60	0.60	0.69	0.48	0.56	0.64	0.64	0.73	0.51	0.59	0.68	0.68	0.77
		PI	1.96	1.97	1.97	1.97	1.97	2.08	2.08	2.09	2.09	2.09	2.21	2.21	2.21	2.21	2.21	2.34	2.34	2.34	2.34	2.35
	77°F (25°C)	TC	29804	29844	29876	29878	29918	31600	31638	31669	31675	31713	33488	33532	33569	33575	33613	35506	35545	35583	35589	35633
		S/T	0.43	0.51	0.57	0.57	0.65	0.46	0.54	0.61	0.61	0.69	0.48	0.57	0.65	0.65	0.74	0.51	0.60	0.68	0.68	0.78
		PI	2.19	2.19	2.19	2.19	2.20	2.32	2.32	2.32	2.32	2.33	2.46	2.46	2.46	2.46	2.47	2.61	2.61	2.61	2.61	2.62
	82°F (27.8°C)	TC	30090	30130	30163	30164	30205	31903	31941	31972	31979	32017	33809	33853	33891	33897	33935	35846	35885	35924	35930	35975
		S/T	0.44	0.51	0.58	0.58	0.66	0.46	0.54	0.62	0.62	0.70	0.49	0.58	0.65	0.65	0.75	0.52	0.61	0.69	0.69	0.79
		PI	2.39	2.40	2.40	2.40	2.40	2.54	2.54	2.54	2.54	2.55	2.69	2.69	2.70	2.70	2.70	2.85	2.85	2.86	2.86	2.86
	86°F (30°C)	TC	30406	30447	30480	30482	30523	32239	32277	32309	32315	32354	34165	34209	34247	34254	34292	36224	36263	36302	36308	36353
		S/T	0.44	0.52	0.59	0.59	0.67	0.47	0.55	0.62	0.62	0.71	0.50	0.58	0.66	0.66	0.75	0.53	0.62	0.70	0.70	0.80
		PI	2.66	2.66	2.67	2.67	2.67	2.82	2.82	2.83	2.83	2.83	2.99	2.99	3.00	3.00	3.00	3.17	3.17	3.18	3.18	3.18
	95°F (35°C)	TC	31119	31161	31194	31196	31238	32994	33033	33066	33073	33112	34966	35011	35050	35057	35096	37072	37113	37153	37159	37205
		S/T	0.44	0.52	0.59	0.59	0.67	0.47	0.55	0.62	0.62	0.71	0.50	0.58	0.66	0.66	0.75	0.53	0.62	0.70	0.70	0.80
		PI	3.26	3.26	3.27	3.27	3.27	3.46	3.46	3.46	3.46	3.47	3.66	3.67	3.67	3.67	3.68	3.88	3.89	3.89	3.89	3.90
	104°F (40°C)	TC	28652	28691	28722	28723	28762	30379	30415	30445	30451	30487	32194	32236	32272	32278	32314	34134	34171	34208	34213	34256
		S/T	0.45	0.53	0.60	0.60	0.69	0.48	0.56	0.64	0.64	0.73	0.51	0.60	0.68	0.68	0.77	0.54	0.63	0.72	0.72	0.82
		PI	3.23	3.24	3.24	3.24	3.24	3.43	3.43	3.43	3.43	3.44	3.63	3.64	3.64	3.64	3.64	3.85	3.85	3.86	3.86	3.86
110°F (43°C)	TC	27172	27209	27238	27239	27276	28810	28844	28872	28878	28912	30531	30571	30605	30610	30644	32370	32406	32441	32446	32486	
	S/T	0.47	0.55	0.63	0.63	0.71	0.50	0.58	0.66	0.66	0.76	0.53	0.62	0.70	0.70	0.80	0.56	0.66	0.75	0.75	0.85	
	PI	3.21	3.22	3.22	3.22	3.23	3.41	3.41	3.42	3.42	3.42	3.61	3.62	3.62	3.62	3.63	3.83	3.83	3.84	3.84	3.84	
115°F (46°C)	TC	23383	23415	23440	23441	23472	24792	24822	24846	24851	24881	26273	26308	26337	26342	26371	27857	27887	27917	27921	27956	
	S/T	0.47	0.56	0.63	0.63	0.72	0.50	0.59	0.67	0.67	0.77	0.53	0.63	0.71	0.71	0.81	0.57	0.66	0.75	0.75	0.86	
	PI	2.88	2.89	2.89	2.89	2.89	3.06	3.06	3.06	3.06	3.07	3.24	3.24	3.25	3.25	3.25	3.44	3.44	3.44	3.44	3.45	
122°F (50°C)	TC	18331	18356	18376	18376	18401	19436	19459	19478	19482	19505	20597	20624	20647	20651	20674	21838	21862	21886	21889	21916	
	S/T	0.49	0.57	0.65	0.65	0.74	0.52	0.60	0.69	0.69	0.78	0.55	0.64	0.73	0.73	0.83	0.58	0.68	0.77	0.77	0.88	
	PI	2.44	2.45	2.45	2.45	2.45	2.59	2.59	2.59	2.60	2.60	2.74	2.75	2.75	2.75	2.75	2.91	2.91	2.92	2.92	2.92	

S/T:Sensible Cooling Capacity Ratio

PI:Power Input(kW)

36MPHP-HH-SYS-B Expanded Cooling @ 970 CFM

CFM	OD DB (°F)	ID WB	60.8°F (16.0°C)					64.4°F (18.0°C)					67°F (19.4°C)					71.6°F (22.0°C)								
			73.4°F		77.0°F		80.0°F	80.6°F		84.2°F	73.4°F		77.0°F		80.0°F	80.6°F		84.2°F	73.4°F		77.0°F		80.0°F	80.6°F		84.2°F
			23.0°C	25.0°C	26.7°C	27.0°C	29.0°C	23.0°C	25.0°C	26.7°C	27.0°C	29.0°C	23.0°C	25.0°C	26.7°C	27.0°C	29.0°C	23.0°C	25.0°C	26.7°C	27.0°C	29.0°C	23.0°C	25.0°C	26.7°C	27.0°C
970	50°F (10°C)	TC	30509	30550	30583	30584	30625	32347	32386	32418	32424	32463	34280	34325	34363	34369	34408	36345	36385	36425	36430	36476				
		S/T	0.44	0.52	0.59	0.59	0.67	0.47	0.55	0.62	0.62	0.71	0.49	0.58	0.66	0.66	0.75	0.52	0.61	0.70	0.70	0.79				
		PI	1.61	1.62	1.62	1.62	1.62	1.71	1.71	1.72	1.72	1.72	1.81	1.82	1.82	1.82	1.82	1.92	1.93	1.93	1.93	1.93				
	59°F (15°C)	TC	30922	30964	30997	30999	31040	32786	32825	32857	32864	32903	34745	34790	34829	34835	34874	36838	36878	36918	36924	36970				
		S/T	0.44	0.52	0.59	0.59	0.67	0.47	0.55	0.62	0.62	0.71	0.50	0.58	0.66	0.66	0.75	0.53	0.62	0.70	0.70	0.80				
		PI	1.85	1.86	1.86	1.86	1.86	1.96	1.97	1.97	1.97	1.97	2.08	2.08	2.09	2.09	2.09	2.21	2.21	2.21	2.21	2.22				
	68°F (20°C)	TC	31336	31378	31412	31413	31456	33224	33264	33296	33303	33343	35209	35255	35294	35301	35340	37331	37371	37412	37418	37464				
		S/T	0.45	0.53	0.60	0.60	0.69	0.48	0.56	0.64	0.64	0.73	0.51	0.60	0.68	0.68	0.77	0.54	0.63	0.72	0.72	0.82				
		PI	2.09	2.09	2.10	2.10	2.10	2.22	2.22	2.22	2.22	2.23	2.35	2.35	2.36	2.36	2.36	2.49	2.49	2.50	2.50	2.50				
	77°F (25°C)	TC	31749	31792	31826	31828	31871	33663	33703	33736	33743	33783	35674	35720	35760	35767	35807	37823	37864	37906	37912	37959				
		S/T	0.46	0.54	0.61	0.61	0.70	0.49	0.57	0.65	0.65	0.74	0.52	0.60	0.69	0.69	0.78	0.55	0.64	0.73	0.73	0.83				
		PI	2.33	2.33	2.34	2.34	2.34	2.47	2.47	2.48	2.48	2.48	2.62	2.62	2.62	2.63	2.63	2.78	2.78	2.78	2.78	2.79				
	82°F (27.8°C)	TC	32054	32097	32131	32133	32176	33985	34026	34059	34066	34106	36016	36062	36103	36109	36150	38186	38227	38269	38275	38322				
		S/T	0.46	0.55	0.62	0.62	0.71	0.49	0.58	0.66	0.66	0.75	0.52	0.61	0.70	0.70	0.79	0.55	0.65	0.74	0.74	0.84				
		PI	2.55	2.55	2.56	2.56	2.56	2.70	2.71	2.71	2.71	2.71	2.86	2.87	2.87	2.87	2.87	3.04	3.04	3.04	3.04	3.05				
	86°F (30°C)	TC	32391	32434	32469	32471	32515	34343	34384	34418	34424	34465	36395	36442	36483	36489	36530	38588	38630	38672	38678	38726				
		S/T	0.47	0.55	0.63	0.63	0.72	0.50	0.59	0.67	0.67	0.76	0.53	0.62	0.70	0.71	0.80	0.56	0.66	0.75	0.75	0.85				
		PI	2.83	2.84	2.84	2.84	2.84	3.00	3.01	3.01	3.01	3.01	3.18	3.19	3.19	3.19	3.20	3.38	3.38	3.38	3.38	3.39				
	95°F (35°C)	TC	33150	33195	33230	33232	33277	35148	35189	35224	35231	35273	37248	37296	37338	37344	37386	39492	39535	39578	39584	39633				
		S/T	0.47	0.55	0.63	0.63	0.72	0.50	0.59	0.67	0.67	0.76	0.53	0.62	0.70	0.71	0.80	0.56	0.66	0.75	0.75	0.85				
		PI	3.47	3.48	3.48	3.48	3.49	3.68	3.69	3.69	3.69	3.69	3.90	3.91	3.91	3.91	3.92	4.14	4.14	4.15	4.15	4.15				
	104°F (40°C)	TC	30522	30563	30596	30598	30639	32362	32400	32432	32438	32477	34295	34340	34378	34384	34423	36361	36401	36440	36446	36492				
		S/T	0.48	0.57	0.64	0.64	0.73	0.51	0.60	0.68	0.68	0.78	0.54	0.64	0.72	0.72	0.82	0.57	0.67	0.77	0.77	0.87				
		PI	3.44	3.45	3.45	3.45	3.46	3.65	3.65	3.66	3.66	3.66	3.87	3.87	3.88	3.88	3.88	4.10	4.11	4.11	4.11	4.12				
110°F (43°C)	TC	28945	28984	29016	29017	29056	30690	30726	30757	30763	30799	32523	32566	32602	32608	32644	34483	34521	34558	34563	34607					
	S/T	0.50	0.59	0.67	0.67	0.76	0.53	0.62	0.71	0.71	0.81	0.56	0.66	0.75	0.75	0.85	0.60	0.70	0.79	0.79	0.91					
	PI	3.42	3.43	3.43	3.43	3.44	3.63	3.64	3.64	3.64	3.64	3.85	3.85	3.86	3.86	3.86	4.08	4.08	4.09	4.09	4.09					
115°F (46°C)	TC	24909	24943	24970	24971	25004	26410	26442	26468	26473	26504	27988	28025	28056	28061	28092	29675	29707	29739	29744	29781					
	S/T	0.51	0.59	0.67	0.67	0.77	0.54	0.63	0.71	0.72	0.82	0.57	0.67	0.76	0.76	0.86	0.60	0.71	0.80	0.80	0.92					
	PI	3.07	3.08	3.08	3.08	3.08	3.26	3.26	3.26	3.26	3.27	3.45	3.46	3.46	3.46	3.46	3.66	3.66	3.67	3.67	3.67					
122°F (50°C)	TC	19527	19554	19575	19576	19602	20704	20729	20749	20753	20778	21941	21970	21994	21998	22023	23263	23289	23314	23318	23347					
	S/T	0.52	0.61	0.69	0.69	0.79	0.55	0.64	0.73	0.73	0.83	0.58	0.68	0.78	0.78	0.88	0.62	0.72	0.82	0.82	0.94					
	PI	2.60	2.60	2.61	2.61	2.61	2.76	2.76	2.76	2.76	2.77	2.92	2.93	2.93	2.93	2.93	3.10	3.10	3.11	3.11	3.11					

S/T:Sensible Cooling Capacity Ratio

PI:Power Input(kW)

36MPHP-HH-SYS-B Expanded Cooling @ 1,080 CFM

CFM	OD DB (°F)	ID WB	60.8°F (16.0°C)					64.4°F (18.0°C)					67°F (19.4°C)					71.6°F (22.0°C)				
			ID DB					ID DB					ID DB					ID DB				
			73.4°F	77.0°F	80.0°F	80.6°F	84.2°F	73.4°F	77.0°F	80.0°F	80.6°F	84.2°F	73.4°F	77.0°F	80.0°F	80.6°F	84.2°F	73.4°F	77.0°F	80.0°F	80.6°F	84.2°F
23.0°C	25.0°C	26.7°C	27.0°C	29.0°C	23.0°C	25.0°C	26.7°C	27.0°C	29.0°C	23.0°C	25.0°C	26.7°C	27.0°C	29.0°C	23.0°C	25.0°C	26.7°C	27.0°C	29.0°C			
1080	50°F (10°C)	TC	32500	32544	32579	32580	32624	34459	34499	34533	34540	34581	36517	36565	36605	36612	36653	38718	38760	38802	38808	38856
		S/T	0.47	0.55	0.62	0.62	0.71	0.50	0.58	0.66	0.66	0.75	0.53	0.62	0.70	0.70	0.80	0.56	0.65	0.74	0.74	0.85
		PI	1.72	1.72	1.72	1.72	1.73	1.82	1.83	1.83	1.83	1.83	1.93	1.94	1.94	1.94	1.94	2.05	2.05	2.05	2.05	2.06
	59°F (15°C)	TC	32940	32985	33020	33022	33066	34926	34967	35002	35008	35050	37012	37060	37102	37109	37150	39242	39285	39328	39334	39383
		S/T	0.47	0.55	0.63	0.63	0.71	0.50	0.58	0.66	0.66	0.76	0.53	0.62	0.70	0.70	0.80	0.56	0.66	0.75	0.75	0.85
		PI	1.97	1.98	1.98	1.98	1.98	2.09	2.10	2.10	2.10	2.10	2.22	2.22	2.22	2.22	2.23	2.35	2.35	2.36	2.36	2.36
	68°F (20°C)	TC	33381	33426	33462	33463	33508	35393	35435	35470	35477	35519	37507	37556	37598	37605	37647	39767	39810	39854	39860	39909
		S/T	0.48	0.57	0.64	0.64	0.73	0.51	0.60	0.68	0.68	0.78	0.54	0.64	0.72	0.72	0.82	0.57	0.67	0.77	0.77	0.87
		PI	2.23	2.23	2.23	2.23	2.24	2.36	2.37	2.37	2.37	2.37	2.50	2.51	2.51	2.51	2.51	2.65	2.66	2.66	2.66	2.66
	77°F (25°C)	TC	33821	33867	33903	33905	33951	35860	35902	35938	35945	35987	38002	38051	38094	38101	38143	40292	40336	40380	40386	40436
		S/T	0.49	0.57	0.65	0.65	0.74	0.52	0.61	0.69	0.69	0.79	0.55	0.64	0.73	0.73	0.83	0.58	0.68	0.78	0.78	0.88
		PI	2.48	2.49	2.49	2.49	2.49	2.63	2.64	2.64	2.64	2.64	2.79	2.79	2.80	2.80	2.80	2.96	2.96	2.96	2.96	2.97
	82°F (27.8°C)	TC	34146	34191	34228	34230	34276	36203	36246	36282	36289	36332	38366	38416	38459	38466	38509	40678	40722	40766	40773	40824
		S/T	0.50	0.58	0.66	0.66	0.75	0.52	0.62	0.70	0.70	0.80	0.56	0.65	0.74	0.74	0.85	0.59	0.69	0.79	0.79	0.90
		PI	2.72	2.72	2.72	2.72	2.73	2.88	2.88	2.89	2.89	2.89	3.05	3.06	3.06	3.06	3.06	3.23	3.24	3.24	3.24	3.25
	86°F (30°C)	TC	34505	34551	34589	34590	34637	36584	36628	36664	36671	36715	38770	38820	38864	38871	38914	41106	41151	41195	41202	41253
		S/T	0.50	0.59	0.67	0.67	0.76	0.53	0.62	0.71	0.71	0.81	0.56	0.66	0.75	0.75	0.86	0.60	0.70	0.80	0.80	0.91
		PI	3.02	3.02	3.03	3.03	3.03	3.20	3.20	3.21	3.21	3.21	3.39	3.40	3.40	3.40	3.40	3.60	3.60	3.60	3.60	3.61
	95°F (35°C)	TC	35313	35361	35399	35401	35448	37442	37486	37523	37530	37575	39679	39730	39774	39782	39826	42069	42115	42161	42167	42220
		S/T	0.50	0.59	0.67	0.67	0.76	0.53	0.62	0.71	0.71	0.81	0.56	0.66	0.75	0.75	0.86	0.60	0.70	0.80	0.80	0.91
		PI	3.70	3.70	3.71	3.71	3.71	3.92	3.93	3.93	3.93	3.94	4.16	4.16	4.17	4.17	4.17	4.41	4.41	4.42	4.42	4.42
	104°F (40°C)	TC	32514	32558	32593	32594	32638	34474	34514	34549	34555	34596	36533	36581	36621	36628	36669	38734	38777	38819	38825	38873
		S/T	0.51	0.60	0.69	0.69	0.78	0.54	0.64	0.73	0.73	0.83	0.58	0.68	0.77	0.77	0.88	0.61	0.72	0.82	0.82	0.93
		PI	3.67	3.67	3.68	3.68	3.68	3.89	3.89	3.90	3.90	3.90	4.12	4.13	4.13	4.13	4.14	4.37	4.37	4.38	4.38	4.38
110°F (43°C)	TC	30835	30876	30909	30911	30952	32693	32732	32764	32770	32809	34646	34691	34730	34736	34775	36734	36773	36813	36819	36865	
	S/T	0.53	0.62	0.71	0.71	0.81	0.56	0.66	0.75	0.75	0.86	0.60	0.70	0.80	0.80	0.91	0.63	0.74	0.85	0.85	0.96	
	PI	3.65	3.65	3.66	3.66	3.66	3.87	3.87	3.88	3.88	3.88	4.10	4.10	4.11	4.11	4.11	4.35	4.35	4.36	4.36	4.36	
115°F (46°C)	TC	26535	26571	26599	26600	26636	28134	28167	28195	28201	28234	29815	29854	29887	29892	29926	31611	31646	31680	31685	31724	
	S/T	0.54	0.63	0.72	0.72	0.82	0.57	0.67	0.76	0.76	0.87	0.61	0.71	0.81	0.81	0.92	0.64	0.75	0.86	0.86	0.98	
	PI	3.27	3.28	3.28	3.28	3.28	3.47	3.47	3.48	3.48	3.48	3.68	3.68	3.69	3.69	3.69	3.90	3.90	3.91	3.91	3.91	
122°F (50°C)	TC	20802	20830	20852	20853	20881	22056	22082	22103	22108	22134	23373	23404	23430	23434	23460	24781	24808	24835	24839	24870	
	S/T	0.55	0.65	0.74	0.74	0.84	0.58	0.69	0.78	0.78	0.89	0.62	0.73	0.83	0.83	0.94	0.66	0.77	0.88	0.88	1.00	
	PI	2.77	2.77	2.78	2.78	2.78	2.94	2.94	2.94	2.95	2.95	3.11	3.12	3.12	3.12	3.13	3.30	3.30	3.31	3.31	3.31	

S/T:Sensible Cooling Capacity Ratio

PI:Power Input(kW)

36MPHP-HH-SYS-B Expanded Cooling @ 1,185 CFM

CFM	OD DB (°F)	ID WB	60.8°F (16.0°C)					64.4°F (18.0°C)					67°F (19.4°C)					71.6°F (22.0°C)				
			ID DB					ID DB					ID DB					ID DB				
			73.4°F	77.0°F	80.0°F	80.6°F	84.2°F	73.4°F	77.0°F	80.0°F	80.6°F	84.2°F	73.4°F	77.0°F	80.0°F	80.6°F	84.2°F	73.4°F	77.0°F	80.0°F	80.6°F	84.2°F
23.0°C	25.0°C	26.7°C	27.0°C	29.0°C	23.0°C	25.0°C	26.7°C	27.0°C	29.0°C	23.0°C	25.0°C	26.7°C	27.0°C	29.0°C	23.0°C	25.0°C	26.7°C	27.0°C	29.0°C			
1185	50°F (10°C)	TC	34621	34668	34705	34707	34753	36707	36751	36787	36795	36838	38901	38951	38994	39002	39045	41244	41289	41334	41341	41392
		S/T	0.50	0.58	0.66	0.66	0.76	0.53	0.62	0.70	0.70	0.80	0.56	0.66	0.75	0.75	0.85	0.59	0.70	0.79	0.79	0.90
		PI	1.83	1.83	1.84	1.84	1.84	1.94	1.94	1.95	1.95	1.95	2.06	2.06	2.06	2.06	2.07	2.18	2.19	2.19	2.19	2.19
	59°F (15°C)	TC	35090	35137	35175	35177	35224	37205	37249	37286	37293	37337	39428	39479	39523	39530	39574	41803	41849	41894	41901	41953
		S/T	0.50	0.59	0.67	0.67	0.76	0.53	0.62	0.71	0.71	0.81	0.56	0.66	0.75	0.75	0.86	0.60	0.70	0.80	0.80	0.91
		PI	2.10	2.11	2.11	2.11	2.11	2.23	2.23	2.23	2.23	2.24	2.36	2.37	2.37	2.37	2.37	2.51	2.51	2.51	2.51	2.51
	68°F (20°C)	TC	35560	35607	35646	35647	35695	37703	37747	37784	37792	37837	39955	40007	40052	40059	40104	42362	42408	42455	42461	42514
		S/T	0.51	0.60	0.69	0.69	0.78	0.54	0.64	0.73	0.73	0.83	0.58	0.68	0.77	0.77	0.88	0.61	0.72	0.82	0.82	0.93
		PI	2.37	2.38	2.38	2.38	2.38	2.52	2.52	2.52	2.52	2.53	2.67	2.67	2.67	2.67	2.68	2.83	2.83	2.83	2.83	2.84
	77°F (25°C)	TC	36029	36077	36116	36118	36166	38200	38245	38283	38291	38336	40482	40535	40580	40588	40633	42921	42968	43015	43022	43075
		S/T	0.52	0.61	0.69	0.69	0.79	0.55	0.65	0.74	0.74	0.84	0.59	0.69	0.78	0.78	0.89	0.62	0.73	0.83	0.83	0.94
		PI	2.64	2.65	2.65	2.65	2.65	2.80	2.81	2.81	2.81	2.81	2.97	2.98	2.98	2.98	2.98	3.15	3.15	3.16	3.16	3.16
	82°F (27.8°C)	TC	36374	36423	36462	36464	36513	38566	38612	38650	38658	38703	40870	40923	40969	40976	41022	43333	43380	43427	43434	43488
		S/T	0.53	0.62	0.70	0.70	0.80	0.56	0.66	0.75	0.75	0.85	0.59	0.70	0.79	0.79	0.90	0.63	0.74	0.84	0.84	0.95
		PI	2.89	2.90	2.90	2.90	2.90	3.07	3.07	3.07	3.07	3.08	3.25	3.25	3.26	3.26	3.26	3.45	3.45	3.45	3.45	3.46
	86°F (30°C)	TC	36757	36806	36846	36848	36897	38972	39018	39057	39064	39111	41300	41354	41400	41408	41454	43789	43836	43884	43891	43946
		S/T	0.53	0.63	0.71	0.71	0.81	0.57	0.66	0.75	0.75	0.86	0.60	0.70	0.80	0.80	0.91	0.64	0.75	0.85	0.85	0.97
		PI	3.22	3.22	3.22	3.22	3.23	3.41	3.41	3.42	3.42	3.42	3.61	3.62	3.62	3.62	3.63	3.83	3.83	3.84	3.84	3.84
	95°F (35°C)	TC	37618	37669	37709	37711	37762	39885	39932	39972	39980	40027	42268	42323	42370	42378	42425	44815	44864	44912	44919	44975
		S/T	0.53	0.63	0.71	0.71	0.81	0.57	0.66	0.75	0.75	0.86	0.60	0.70	0.80	0.80	0.91	0.64	0.75	0.85	0.85	0.97
		PI	3.94	3.95	3.95	3.95	3.96	4.18	4.18	4.19	4.19	4.19	4.43	4.43	4.44	4.44	4.44	4.69	4.70	4.70	4.71	4.71
	104°F (40°C)	TC	34636	34683	34720	34722	34768	36724	36767	36803	36811	36854	38918	38968	39012	39019	39062	41262	41307	41352	41359	41410
		S/T	0.55	0.64	0.73	0.73	0.83	0.58	0.68	0.77	0.77	0.88	0.62	0.72	0.82	0.82	0.93	0.65	0.76	0.87	0.87	0.99
		PI	3.91	3.91	3.92	3.92	3.92	4.14	4.15	4.15	4.15	4.16	4.39	4.39	4.40	4.40	4.41	4.65	4.66	4.66	4.66	4.67
110°F (43°C)	TC	32847	32891	32927	32928	32972	34827	34868	34902	34909	34951	36907	36955	36996	37003	37044	39131	39173	39216	39222	39271	
	S/T	0.57	0.67	0.76	0.76	0.86	0.60	0.71	0.80	0.80	0.91	0.64	0.75	0.85	0.85	0.97	0.68	0.79	0.90	0.90	1.00	
	PI	3.89	3.89	3.90	3.90	3.90	4.12	4.13	4.13	4.13	4.13	4.37	4.37	4.38	4.38	4.38	4.63	4.63	4.64	4.64	4.65	
115°F (46°C)	TC	28267	28305	28335	28336	28375	29970	30006	30035	30041	30077	31761	31802	31837	31843	31879	33674	33711	33748	33753	33795	
	S/T	0.57	0.67	0.77	0.77	0.87	0.61	0.71	0.81	0.81	0.92	0.65	0.76	0.86	0.86	0.98	0.68	0.80	0.91	0.91	1.00	
	PI	3.49	3.49	3.49	3.49	3.50	3.70	3.70	3.70	3.70	3.71	3.92	3.92	3.93	3.93	3.93	4.15	4.16	4.16	4.16	4.17	
122°F (50°C)	TC	22160	22189	22213	22214	22244	23495	23523	23546	23551	23579	24899	24931	24959	24963	24991	26399	26428	26456	26460	26493	
	S/T	0.59	0.69	0.78	0.78	0.89	0.62	0.73	0.83	0.83	0.95	0.66	0.77	0.88	0.88	1.00	0.70	0.82	0.93	0.93	1.00	
	PI	2.95	2.96	2.96	2.96	2.96	3.13	3.13	3.14	3.14	3.14	3.32	3.32	3.33	3.33	3.33	3.52	3.52	3.52	3.53	3.53	

S/T:Sensible Cooling Capacity Ratio

PI:Power Input(kW)

36MPHP-HH-SYS-B Expanded Heating @ 865 CFM

CFM	HEATING PERFORMANCE AT INDOOR DRY BULB TEMPERATURE										
	OD DB (°F)	TC : Total Heating Capacity(BTU/hr)					PI : Power Input(kW)				
		Indoor Conditions (DB °F)					Indoor Conditions (DB °F)				
		60.8°F	68°F	70°F	71.6°F	75.2°F	60.8°F	68°F	70°F	71.6°F	75.2°F
865	-22°F	22795	22339	22227	22360	22158	4.94	4.98	4.99	5.00	5.02
	-13°F	26211	25686	25558	24721	24499	5.24	5.28	5.29	5.30	5.32
	-4°F	30254	29649	29501	28535	28278	5.47	5.51	5.52	5.53	5.55
	0°F	32470	31820	31661	30625	30349	5.59	5.64	5.65	5.66	5.68
	5°F	35239	34534	34361	33236	32937	5.75	5.79	5.81	5.82	5.84
	14°F	35343	34636	34463	33335	33035	5.39	5.43	5.44	5.45	5.47
	17°F	35378	34670	34497	33368	33067	5.26	5.31	5.32	5.33	5.35
	22°F	37148	36405	36223	35037	34722	5.13	5.17	5.18	5.19	5.21
	27°F	38919	38140	37950	36707	36377	5.00	5.04	5.05	5.06	5.08
	32°F	40689	39876	39676	38377	38032	4.87	4.91	4.92	4.93	4.95
	35°F	41752	40917	40712	39379	39025	4.79	4.83	4.83	4.84	4.86
	37°F	41604	40772	40568	39240	38887	4.69	4.73	4.74	4.74	4.76
	42°F	41235	40410	40208	38892	38542	4.44	4.48	4.49	4.50	4.51
	44.6°F	41087	40266	40064	38753	38404	4.34	4.38	4.39	4.40	4.41
	47°F	40866	40049	39848	38544	38197	4.19	4.23	4.24	4.25	4.26
	52°F	40028	39228	39031	37754	37414	3.78	3.81	3.82	3.82	3.84
	57°F	39190	38407	38215	36964	36631	3.36	3.39	3.40	3.40	3.42
	59°F	38855	38078	37888	36647	36318	3.20	3.22	3.23	3.24	3.25
62°F	38353	37586	37398	36173	35848	2.95	2.97	2.98	2.98	2.99	
64.4°F	38018	37257	37071	35857	35535	2.78	2.80	2.81	2.81	2.83	

36MPHP-HH-SYS-B Expanded Heating @ 970 CFM

CFM	HEATING PERFORMANCE AT INDOOR DRY BULB TEMPERATURE										
	OD DB (°F)	TC : Total Heating Capacity(BTU/hr)					PI : Power Input(kW)				
		Indoor Conditions (DB °F)					Indoor Conditions (DB °F)				
		60.8°F	68°F	70°F	71.6°F	75.2°F	60.8°F	68°F	70°F	71.6°F	75.2°F
970	-22°F	24764	24268	24147	24170	23953	4.99	5.03	5.04	5.05	5.07
	-13°F	27921	27363	27226	26723	26482	5.29	5.33	5.35	5.36	5.38
	-4°F	32229	31584	31426	30846	30568	5.52	5.57	5.58	5.59	5.61
	0°F	34589	33897	33727	33104	32806	5.65	5.69	5.70	5.72	5.74
	5°F	37539	36788	36604	35928	35604	5.81	5.85	5.86	5.88	5.90
	14°F	37650	36897	36712	36034	35710	5.44	5.48	5.49	5.51	5.53
	17°F	37687	36933	36748	36069	35745	5.32	5.36	5.37	5.38	5.40
	22°F	39573	38781	38587	37875	37534	5.18	5.23	5.24	5.25	5.27
	27°F	41459	40630	40426	39680	39323	5.05	5.09	5.10	5.11	5.13
	32°F	43345	42478	42266	41485	41111	4.92	4.96	4.97	4.97	4.99
	35°F	44477	43587	43369	42568	42185	4.83	4.87	4.88	4.89	4.91
	37°F	44319	43433	43216	42417	42036	4.74	4.77	4.78	4.79	4.81
	42°F	43926	43048	42832	42041	41663	4.49	4.52	4.53	4.54	4.56
	44.6°F	43769	42893	42679	41891	41514	4.39	4.42	4.43	4.44	4.46
	47°F	43533	42662	42449	41665	41290	4.24	4.27	4.28	4.29	4.31
	52°F	42641	41788	41579	40811	40443	3.82	3.85	3.86	3.86	3.88
	57°F	41748	40913	40709	39957	39597	3.40	3.42	3.43	3.44	3.45
59°F	41391	40563	40361	39615	39258	3.23	3.26	3.26	3.27	3.28	
62°F	40856	40039	39838	39102	38751	2.98	3.00	3.01	3.01	3.03	
64.4°F	40499	39689	39490	38761	38412	2.81	2.83	2.84	2.84	2.85	

36MPHP-HH-SYS-B Expanded Heating @ 1,080 CFM

CFM	HEATING PERFORMANCE AT INDOOR DRY BULB TEMPERATURE										
	OD DB (°F)	TC : Total Heating Capacity(BTU/hr)					PI : Power Input(kW)				
		Indoor Conditions (DB °F)					Indoor Conditions (DB °F)				
		60.8°F	68°F	70°F	71.6°F	75.2°F	60.8°F	68°F	70°F	71.6°F	75.2°F
1080	-22°F	26902	26364	26232	26127	25892	5.04	5.08	5.09	5.10	5.12
	-13°F	29743	29149	29003	28887	28627	5.35	5.39	5.40	5.41	5.43
	-4°F	34332	33646	33477	33343	33043	5.58	5.62	5.63	5.64	5.67
	0°F	36846	36109	35929	35785	35463	5.70	5.75	5.76	5.77	5.80
	5°F	39989	39189	38993	38837	38487	5.86	5.91	5.92	5.94	5.96
	14°F	40107	39305	39108	38952	38601	5.49	5.54	5.55	5.56	5.58
	17°F	40146	39343	39147	38990	38639	5.37	5.41	5.43	5.44	5.46
	22°F	42155	41312	41106	40941	40573	5.24	5.28	5.29	5.30	5.32
	27°F	44165	43281	43065	42893	42507	5.10	5.14	5.15	5.16	5.18
	32°F	46174	45250	45024	44844	44440	4.97	5.01	5.02	5.03	5.05
	35°F	47379	46432	46200	46015	45601	4.88	4.92	4.93	4.94	4.96
	37°F	47212	46267	46036	45852	45439	4.78	4.82	4.83	4.84	4.86
	42°F	46793	45857	45628	45445	45036	4.53	4.57	4.58	4.59	4.61
	44.6°F	46625	45693	45464	45283	44875	4.43	4.47	4.48	4.48	4.50
	47°F	46374	45447	45219	45039	44633	4.28	4.31	4.32	4.33	4.35
	52°F	45423	44515	44292	44115	43718	3.86	3.89	3.89	3.90	3.92
	57°F	44473	43583	43365	43192	42803	3.43	3.46	3.47	3.47	3.49
	59°F	44093	43211	42995	42823	42437	3.26	3.29	3.29	3.30	3.31
62°F	43522	42652	42438	42269	41888	3.01	3.03	3.04	3.04	3.06	
64.4°F	43142	42279	42068	41899	41522	2.84	2.86	2.87	2.87	2.88	

36MPHP-HH-SYS-B Expanded Heating @ 1,185 CFM

CFM	HEATING PERFORMANCE AT INDOOR DRY BULB TEMPERATURE										
	OD DB (°F)	TC : Total Heating Capacity(BTU/hr)					PI : Power Input(kW)				
		Indoor Conditions (DB °F)					Indoor Conditions (DB °F)				
		60.8°F	68°F	70°F	71.6°F	75.2°F	60.8°F	68°F	70°F	71.6°F	75.2°F
1185	-22°F	28658	28085	27944	27833	27582	5.09	5.13	5.14	5.15	5.17
	-13°F	31685	31051	30896	30772	30495	5.40	5.44	5.45	5.46	5.49
	-4°F	36573	35841	35662	35520	35200	5.63	5.68	5.69	5.70	5.72
	0°F	39251	38466	38274	38120	37777	5.76	5.81	5.82	5.83	5.86
	5°F	42598	41746	41538	41372	40999	5.92	5.97	5.98	6.00	6.02
	14°F	42724	41870	41661	41494	41120	5.55	5.59	5.61	5.62	5.64
	17°F	42766	41911	41701	41535	41161	5.43	5.47	5.48	5.49	5.51
	22°F	44907	44009	43788	43613	43221	5.29	5.33	5.34	5.35	5.37
	27°F	47047	46106	45875	45692	45281	5.15	5.19	5.20	5.21	5.24
	32°F	49187	48204	47962	47771	47341	5.02	5.06	5.07	5.08	5.10
	35°F	50471	49462	49215	49018	48577	4.93	4.97	4.98	4.99	5.01
	37°F	50293	49287	49041	48845	48405	4.83	4.87	4.88	4.89	4.91
	42°F	49847	48850	48606	48411	47976	4.58	4.61	4.62	4.63	4.65
	44.6°F	49668	48675	48432	48238	47804	4.48	4.51	4.52	4.53	4.55
	47°F	49401	48413	48171	47978	47546	4.32	4.36	4.37	4.38	4.39
	52°F	48388	47420	47183	46994	46571	3.89	3.93	3.93	3.94	3.96
	57°F	47375	46428	46196	46011	45597	3.47	3.49	3.50	3.51	3.52
	59°F	46970	46031	45801	45617	45207	3.29	3.32	3.33	3.33	3.35
62°F	46363	45435	45208	45027	44622	3.04	3.06	3.07	3.07	3.09	
64.4°F	45958	45038	44813	44634	44232	2.87	2.89	2.90	2.90	2.91	

42MPHP-HH-SYS-B Expanded Cooling @ 1,094 CFM

CFM	OD DB (°F)	ID WB	60.8°F (16.0°C)					64.4°F (18.0°C)					67°F (19.4°C)					71.6°F (22.0°C)				
			73.4°F	77.0°F	80.0°F	80.6°F	84.2°F	73.4°F	77.0°F	80.0°F	80.6°F	84.2°F	73.4°F	77.0°F	80.0°F	80.6°F	84.2°F	73.4°F	77.0°F	80.0°F	80.6°F	84.2°F
			23.0°C	25.0°C	26.7°C	27.0°C	29.0°C	23.0°C	25.0°C	26.7°C	27.0°C	29.0°C	23.0°C	25.0°C	26.7°C	27.0°C	29.0°C	23.0°C	25.0°C	26.7°C	27.0°C	29.0°C
1094	50°F (10°C)	TC	41065	41120	41164	41166	41221	43539	43591	43634	43643	43694	46141	46200	46252	46261	46312	48921	48974	49027	49035	49096
		S/T	0.42	0.50	0.56	0.56	0.64	0.45	0.53	0.60	0.60	0.68	0.47	0.56	0.63	0.63	0.72	0.50	0.59	0.67	0.67	0.77
		PI	3.29	3.30	3.30	3.30	3.31	3.49	3.50	3.50	3.50	3.50	3.70	3.71	3.71	3.71	3.71	3.92	3.93	3.93	3.93	3.94
	59°F (15°C)	TC	40895	40950	40994	40996	41051	43360	43411	43454	43463	43514	45950	46010	46061	46070	46121	48719	48772	48825	48833	48893
		S/T	0.42	0.50	0.57	0.57	0.65	0.45	0.53	0.60	0.60	0.68	0.48	0.56	0.64	0.64	0.73	0.51	0.59	0.67	0.67	0.77
		PI	3.30	3.31	3.31	3.31	3.32	3.50	3.51	3.51	3.51	3.51	3.71	3.72	3.72	3.72	3.72	3.93	3.94	3.94	3.94	3.95
	68°F (20°C)	TC	40726	40781	40825	40826	40882	43180	43231	43274	43283	43334	45760	45819	45871	45879	45930	48517	48570	48623	48630	48691
		S/T	0.44	0.51	0.58	0.58	0.66	0.46	0.54	0.62	0.62	0.70	0.49	0.57	0.65	0.65	0.74	0.52	0.61	0.69	0.69	0.79
		PI	3.31	3.32	3.32	3.32	3.32	3.51	3.52	3.52	3.52	3.52	3.72	3.73	3.73	3.73	3.74	3.95	3.95	3.95	3.95	3.96
	77°F (25°C)	TC	40557	40611	40655	40657	40712	43001	43052	43094	43103	43154	45570	45629	45680	45688	45739	48315	48368	48421	48428	48488
		S/T	0.44	0.52	0.59	0.59	0.67	0.47	0.55	0.62	0.62	0.71	0.50	0.58	0.66	0.66	0.75	0.53	0.62	0.70	0.70	0.80
		PI	3.32	3.33	3.33	3.33	3.33	3.52	3.53	3.53	3.53	3.53	3.73	3.74	3.74	3.74	3.75	3.96	3.96	3.97	3.97	3.97
	82°F (27.8°C)	TC	40646	40701	40745	40747	40801	43096	43147	43189	43198	43249	45670	45730	45781	45789	45840	48422	48475	48528	48535	48596
		S/T	0.45	0.52	0.60	0.60	0.68	0.47	0.56	0.63	0.63	0.72	0.50	0.59	0.67	0.67	0.76	0.53	0.63	0.71	0.71	0.81
		PI	3.50	3.51	3.51	3.51	3.52	3.72	3.72	3.72	3.72	3.73	3.94	3.94	3.95	3.95	3.95	4.17	4.18	4.18	4.18	4.19
	86°F (30°C)	TC	40950	41005	41049	41051	41106	43418	43469	43512	43520	43572	46011	46071	46123	46131	46183	48784	48837	48890	48898	48958
		S/T	0.45	0.53	0.60	0.60	0.69	0.48	0.56	0.64	0.64	0.73	0.51	0.60	0.68	0.68	0.77	0.54	0.63	0.72	0.72	0.82
		PI	3.87	3.88	3.88	3.88	3.89	4.11	4.11	4.12	4.12	4.12	4.35	4.36	4.36	4.37	4.37	4.62	4.62	4.63	4.63	4.63
	95°F (35°C)	TC	41632	41688	41733	41735	41792	44141	44194	44237	44246	44299	46779	46839	46892	46900	46953	49597	49651	49705	49713	49775
		S/T	0.45	0.53	0.60	0.60	0.69	0.48	0.56	0.64	0.64	0.73	0.51	0.60	0.68	0.68	0.77	0.54	0.63	0.72	0.72	0.82
		PI	4.71	4.72	4.72	4.72	4.73	4.99	5.00	5.00	5.00	5.01	5.29	5.30	5.30	5.30	5.31	5.61	5.62	5.62	5.62	5.63
	104°F (40°C)	TC	35626	35674	35713	35714	35762	37773	37818	37855	37863	37908	40030	40082	40127	40134	40179	42442	42488	42534	42541	42594
		S/T	0.46	0.54	0.62	0.62	0.71	0.49	0.58	0.66	0.66	0.75	0.52	0.61	0.70	0.70	0.79	0.55	0.65	0.74	0.74	0.84
		PI	4.13	4.13	4.14	4.14	4.14	4.38	4.38	4.39	4.39	4.39	4.64	4.64	4.65	4.65	4.66	4.92	4.92	4.93	4.93	4.94
110°F (43°C)	TC	32022	32065	32100	32101	32145	33952	33992	34026	34033	34073	35981	36027	36068	36074	36115	38149	38190	38232	38238	38285	
	S/T	0.48	0.56	0.64	0.64	0.73	0.51	0.60	0.68	0.68	0.78	0.54	0.63	0.72	0.72	0.82	0.57	0.67	0.76	0.76	0.87	
	PI	3.78	3.78	3.79	3.79	3.79	4.01	4.01	4.02	4.02	4.02	4.25	4.25	4.26	4.26	4.26	4.50	4.51	4.51	4.51	4.52	
115°F (46°C)	TC	27324	27361	27391	27392	27429	28971	29005	29034	29040	29074	30702	30742	30776	30782	30816	32552	32587	32623	32628	32668	
	S/T	0.49	0.57	0.65	0.65	0.74	0.52	0.61	0.69	0.69	0.78	0.55	0.64	0.73	0.73	0.83	0.58	0.68	0.77	0.77	0.88	
	PI	3.47	3.48	3.48	3.48	3.49	3.68	3.69	3.69	3.69	3.70	3.90	3.91	3.91	3.91	3.92	4.14	4.14	4.15	4.15	4.15	
122°F (50°C)	TC	21060	21089	21111	21112	21141	22330	22356	22378	22383	22409	23664	23694	23721	23725	23752	25089	25117	25144	25148	25179	
	S/T	0.50	0.58	0.66	0.66	0.76	0.53	0.62	0.70	0.70	0.80	0.56	0.66	0.75	0.75	0.85	0.59	0.70	0.79	0.79	0.90	
	PI	3.07	3.07	3.07	3.07	3.08	3.25	3.25	3.26	3.26	3.26	3.44	3.45	3.45	3.45	3.46	3.65	3.66	3.66	3.66	3.67	

S/T:Sensible Cooling Capacity Ratio

PI:Power Input(kW)

42MPHP-HH-SYS-B Expanded Cooling @ 1,282 CFM

CFM	OD DB (°F)	ID WB	60.8°F (16.0°C)					64.4°F (18.0°C)					67°F (19.4°C)					71.6°F (22.0°C)				
			73.4°F	77.0°F	80.0°F	80.6°F	84.2°F	73.4°F	77.0°F	80.0°F	80.6°F	84.2°F	73.4°F	77.0°F	80.0°F	80.6°F	84.2°F	73.4°F	77.0°F	80.0°F	80.6°F	84.2°F
			23.0°C	25.0°C	26.7°C	27.0°C	29.0°C	23.0°C	25.0°C	26.7°C	27.0°C	29.0°C	23.0°C	25.0°C	26.7°C	27.0°C	29.0°C	23.0°C	25.0°C	26.7°C	27.0°C	29.0°C
1282	50°F (10°C)	TC	43377	43435	43482	43484	43543	45991	46046	46091	46100	46155	48739	48802	48856	48866	48920	51675	51732	51788	51796	51860
		S/T	0.45	0.52	0.60	0.60	0.68	0.47	0.56	0.63	0.63	0.72	0.50	0.59	0.67	0.67	0.76	0.53	0.62	0.71	0.71	0.81
		PI	3.48	3.48	3.49	3.49	3.49	3.69	3.69	3.70	3.70	3.70	3.91	3.91	3.92	3.92	3.92	4.14	4.15	4.15	4.15	4.16
	59°F (15°C)	TC	43198	43256	43303	43305	43363	45801	45856	45901	45910	45965	48538	48601	48655	48664	48718	51462	51518	51574	51582	51647
		S/T	0.45	0.53	0.60	0.60	0.68	0.48	0.56	0.63	0.63	0.72	0.50	0.59	0.67	0.67	0.77	0.53	0.63	0.71	0.71	0.81
		PI	3.49	3.49	3.50	3.50	3.50	3.70	3.70	3.71	3.71	3.71	3.92	3.92	3.93	3.93	3.93	4.16	4.16	4.17	4.17	4.17
	68°F (20°C)	TC	43019	43077	43123	43125	43184	45612	45666	45711	45720	45774	48337	48400	48454	48463	48517	51249	51305	51361	51369	51433
		S/T	0.46	0.54	0.61	0.61	0.70	0.49	0.57	0.65	0.65	0.74	0.52	0.61	0.69	0.69	0.79	0.55	0.64	0.73	0.73	0.83
		PI	3.50	3.50	3.51	3.51	3.51	3.71	3.71	3.72	3.72	3.72	3.93	3.94	3.94	3.94	3.95	4.17	4.17	4.18	4.18	4.18
	77°F (25°C)	TC	42840	42898	42944	42946	43004	45422	45476	45521	45530	45584	48136	48198	48252	48261	48315	51036	51092	51147	51155	51219
		S/T	0.47	0.55	0.62	0.62	0.71	0.49	0.58	0.66	0.66	0.75	0.52	0.62	0.70	0.70	0.80	0.56	0.65	0.74	0.74	0.84
		PI	3.51	3.51	3.52	3.52	3.52	3.72	3.72	3.73	3.73	3.73	3.94	3.95	3.95	3.95	3.96	4.18	4.18	4.19	4.19	4.19
	82°F (27.8°C)	TC	42935	42993	43039	43041	43099	45523	45576	45621	45630	45685	48242	48305	48359	48368	48422	51149	51205	51260	51268	51332
		S/T	0.47	0.55	0.63	0.63	0.72	0.50	0.59	0.67	0.67	0.76	0.53	0.62	0.71	0.71	0.81	0.56	0.66	0.75	0.75	0.86
		PI	3.70	3.71	3.71	3.71	3.72	3.92	3.93	3.93	3.93	3.94	4.16	4.16	4.17	4.17	4.17	4.41	4.41	4.42	4.42	4.43
	86°F (30°C)	TC	43256	43314	43360	43362	43421	45862	45917	45962	45971	46026	48602	48666	48720	48729	48783	51531	51587	51643	51651	51715
		S/T	0.48	0.56	0.64	0.64	0.73	0.51	0.60	0.68	0.68	0.77	0.54	0.63	0.72	0.72	0.82	0.57	0.67	0.76	0.76	0.87
		PI	4.09	4.10	4.10	4.10	4.11	4.34	4.34	4.35	4.35	4.36	4.60	4.60	4.61	4.61	4.62	4.88	4.88	4.89	4.89	4.89
	95°F (35°C)	TC	43977	44036	44083	44085	44145	46627	46682	46728	46738	46793	49413	49477	49532	49541	49597	52390	52447	52504	52512	52578
		S/T	0.48	0.56	0.64	0.64	0.73	0.51	0.60	0.68	0.68	0.77	0.54	0.63	0.72	0.72	0.82	0.57	0.67	0.76	0.76	0.87
		PI	4.97	4.98	4.99	4.99	4.99	5.27	5.28	5.29	5.29	5.29	5.59	5.60	5.60	5.60	5.61	5.93	5.93	5.94	5.94	5.95
	104°F (40°C)	TC	37632	37683	37724	37725	37776	39900	39947	39987	39995	40042	42284	42339	42386	42394	42441	44832	44880	44929	44936	44992
		S/T	0.49	0.58	0.65	0.65	0.75	0.52	0.61	0.69	0.69	0.79	0.55	0.65	0.73	0.73	0.84	0.58	0.69	0.78	0.78	0.89
		PI	4.36	4.37	4.37	4.37	4.38	4.62	4.63	4.63	4.63	4.64	4.90	4.91	4.91	4.91	4.92	5.19	5.20	5.21	5.21	5.21
110°F (43°C)	TC	33826	33871	33908	33909	33955	35864	35907	35942	35949	35992	38007	38056	38099	38106	38148	40297	40341	40385	40391	40441	
	S/T	0.51	0.60	0.68	0.68	0.77	0.54	0.63	0.72	0.72	0.82	0.57	0.67	0.76	0.76	0.87	0.61	0.71	0.81	0.81	0.92	
	PI	3.99	4.00	4.00	4.00	4.01	4.23	4.24	4.24	4.24	4.25	4.49	4.49	4.50	4.50	4.50	4.76	4.76	4.77	4.77	4.77	
115°F (46°C)	TC	28863	28902	28933	28934	28973	30603	30639	30669	30675	30711	32431	32473	32509	32515	32551	34385	34422	34460	34465	34508	
	S/T	0.51	0.60	0.69	0.69	0.78	0.55	0.64	0.73	0.73	0.83	0.58	0.68	0.77	0.77	0.88	0.61	0.72	0.82	0.82	0.93	
	PI	3.67	3.67	3.68	3.68	3.68	3.89	3.89	3.90	3.90	3.90	4.12	4.13	4.13	4.13	4.14	4.37	4.38	4.38	4.38	4.39	
122°F (50°C)	TC	22246	22276	22300	22301	22331	23587	23615	23638	23643	23671	24996	25029	25057	25061	25089	26502	26531	26560	26564	26597	
	S/T	0.53	0.62	0.70	0.70	0.80	0.56	0.65	0.74	0.74	0.85	0.59	0.69	0.79	0.79	0.90	0.63	0.74	0.84	0.84	0.95	
	PI	3.24	3.24	3.25	3.25	3.25	3.43	3.44	3.44	3.44	3.45	3.64	3.64	3.65	3.65	3.65	3.86	3.86	3.87	3.87	3.87	

S/T:Sensible Cooling Capacity Ratio

PI:Power Input(kW)

42MPHP-HH-SYS-B Expanded Cooling @ 1,471 CFM

CFM	OD DB (°F)	ID WB	60.8°F (16.0°C)					64.4°F (18.0°C)					67°F (19.4°C)					71.6°F (22.0°C)				
			73.4°F	77.0°F	80.0°F	80.6°F	84.2°F	73.4°F	77.0°F	80.0°F	80.6°F	84.2°F	73.4°F	77.0°F	80.0°F	80.6°F	84.2°F	73.4°F	77.0°F	80.0°F	80.6°F	84.2°F
			23.0°C	25.0°C	26.7°C	27.0°C	29.0°C	23.0°C	25.0°C	26.7°C	27.0°C	29.0°C	23.0°C	25.0°C	26.7°C	27.0°C	29.0°C	23.0°C	25.0°C	26.7°C	27.0°C	29.0°C
1471	50°F (10°C)	TC	45820	45881	45931	45933	45995	48581	48638	48686	48696	48754	51483	51550	51608	51617	51675	54585	54645	54704	54713	54781
		S/T	0.47	0.55	0.63	0.63	0.72	0.50	0.59	0.67	0.67	0.76	0.53	0.62	0.71	0.71	0.81	0.56	0.66	0.75	0.75	0.85
		PI	3.67	3.68	3.68	3.68	3.69	3.90	3.90	3.90	3.91	3.91	4.13	4.13	4.14	4.14	4.14	4.38	4.38	4.39	4.39	4.39
	59°F (15°C)	TC	45631	45692	45741	45743	45805	48381	48438	48486	48495	48553	51271	51338	51395	51404	51462	54360	54419	54478	54487	54555
		S/T	0.47	0.56	0.63	0.63	0.72	0.50	0.59	0.67	0.67	0.76	0.53	0.62	0.71	0.71	0.81	0.56	0.66	0.75	0.75	0.86
		PI	3.69	3.69	3.69	3.69	3.70	3.91	3.91	3.92	3.92	3.92	4.14	4.15	4.15	4.15	4.16	4.39	4.39	4.40	4.40	4.41
	68°F (20°C)	TC	45442	45503	45552	45554	45615	48180	48237	48285	48294	48352	51059	51125	51182	51192	51249	54135	54194	54253	54261	54329
		S/T	0.49	0.57	0.65	0.65	0.74	0.52	0.61	0.69	0.69	0.78	0.55	0.64	0.73	0.73	0.83	0.58	0.68	0.77	0.77	0.88
		PI	3.70	3.70	3.70	3.70	3.71	3.92	3.92	3.93	3.93	3.93	4.15	4.16	4.16	4.16	4.17	4.40	4.41	4.41	4.41	4.42
	77°F (25°C)	TC	45253	45314	45362	45364	45426	47980	48037	48084	48094	48151	50846	50912	50969	50979	51036	53910	53969	54027	54036	54103
		S/T	0.49	0.58	0.66	0.66	0.75	0.52	0.61	0.70	0.70	0.79	0.55	0.65	0.74	0.74	0.84	0.59	0.69	0.78	0.78	0.89
		PI	3.71	3.71	3.71	3.71	3.72	3.93	3.93	3.94	3.94	3.94	4.16	4.17	4.17	4.17	4.18	4.41	4.42	4.42	4.42	4.43
	82°F (27.8°C)	TC	45353	45414	45463	45465	45526	48086	48143	48190	48200	48257	50959	51025	51082	51091	51148	54029	54088	54147	54155	54223
		S/T	0.50	0.59	0.67	0.67	0.76	0.53	0.62	0.71	0.71	0.80	0.56	0.66	0.75	0.75	0.85	0.59	0.70	0.79	0.79	0.90
		PI	3.91	3.92	3.92	3.92	3.92	4.15	4.15	4.15	4.16	4.16	4.39	4.40	4.40	4.40	4.41	4.66	4.66	4.67	4.67	4.67
	86°F (30°C)	TC	45691	45753	45802	45804	45866	48445	48502	48550	48560	48617	51339	51406	51463	51473	51530	54433	54492	54551	54559	54627
		S/T	0.51	0.59	0.67	0.67	0.77	0.54	0.63	0.71	0.71	0.81	0.57	0.67	0.76	0.76	0.86	0.60	0.71	0.80	0.80	0.92
		PI	4.32	4.33	4.33	4.33	4.34	4.58	4.59	4.59	4.59	4.60	4.86	4.86	4.87	4.87	4.88	5.15	5.16	5.16	5.16	5.17
	95°F (35°C)	TC	46453	46516	46566	46568	46631	49253	49311	49360	49369	49428	52195	52263	52321	52331	52389	55340	55400	55461	55469	55538
		S/T	0.51	0.59	0.67	0.67	0.77	0.54	0.63	0.71	0.71	0.81	0.57	0.67	0.76	0.76	0.86	0.60	0.71	0.80	0.80	0.92
		PI	5.25	5.26	5.27	5.27	5.27	5.57	5.58	5.58	5.58	5.59	5.90	5.91	5.92	5.92	5.93	6.26	6.27	6.27	6.27	6.28
	104°F (40°C)	TC	39751	39805	39848	39850	39903	42147	42197	42239	42247	42297	44665	44723	44773	44781	44831	47356	47408	47459	47467	47526
		S/T	0.52	0.61	0.69	0.69	0.79	0.55	0.64	0.73	0.73	0.83	0.58	0.68	0.78	0.78	0.88	0.62	0.72	0.82	0.82	0.94
		PI	4.61	4.61	4.62	4.62	4.62	4.88	4.89	4.89	4.89	4.90	5.18	5.18	5.19	5.19	5.19	5.49	5.49	5.50	5.50	5.51
110°F (43°C)	TC	35730	35778	35817	35819	35867	37884	37929	37966	37973	38019	40147	40199	40244	40251	40296	42566	42612	42659	42665	42718	
	S/T	0.54	0.63	0.72	0.72	0.82	0.57	0.67	0.76	0.76	0.87	0.60	0.71	0.80	0.80	0.92	0.64	0.75	0.85	0.85	0.97	
	PI	4.22	4.22	4.23	4.23	4.23	4.47	4.48	4.48	4.48	4.49	4.74	4.74	4.75	4.75	4.76	5.02	5.03	5.03	5.04	5.04	
115°F (46°C)	TC	30488	30529	30562	30564	30605	32326	32364	32396	32402	32441	34257	34302	34340	34346	34384	36321	36361	36400	36406	36451	
	S/T	0.54	0.64	0.72	0.72	0.83	0.58	0.68	0.77	0.77	0.88	0.61	0.72	0.81	0.81	0.93	0.65	0.76	0.86	0.86	0.98	
	PI	3.88	3.88	3.89	3.89	3.89	4.11	4.11	4.12	4.12	4.12	4.35	4.36	4.37	4.37	4.37	4.62	4.62	4.63	4.63	4.63	
122°F (50°C)	TC	23499	23531	23556	23557	23589	24915	24945	24969	24974	25004	26404	26438	26468	26472	26502	27995	28025	28056	28060	28095	
	S/T	0.56	0.65	0.74	0.74	0.85	0.59	0.69	0.79	0.79	0.90	0.62	0.73	0.83	0.83	0.95	0.66	0.78	0.88	0.88	1.00	
	PI	3.42	3.43	3.43	3.43	3.43	3.63	3.63	3.63	3.64	3.64	3.84	3.85	3.85	3.85	3.86	4.08	4.08	4.08	4.08	4.09	

S/T:Sensible Cooling Capacity Ratio

PI:Power Input(kW)

42MPHP-HH-SYS-B Expanded Cooling @ 1,600 CFM

CFM	OD DB (°F)	ID WB	60.8°F (16.0°C)					64.4°F (18.0°C)					67°F (19.4°C)					71.6°F (22.0°C)				
			73.4°F	77.0°F	80.0°F	80.6°F	84.2°F	73.4°F	77.0°F	80.0°F	80.6°F	84.2°F	73.4°F	77.0°F	80.0°F	80.6°F	84.2°F	73.4°F	77.0°F	80.0°F	80.6°F	84.2°F
			23.0°C	25.0°C	26.7°C	27.0°C	29.0°C	23.0°C	25.0°C	26.7°C	27.0°C	29.0°C	23.0°C	25.0°C	26.7°C	27.0°C	29.0°C	23.0°C	25.0°C	26.7°C	27.0°C	29.0°C
1600	50°F (10°C)	TC	48400	48465	48517	48519	48585	51316	51377	51428	51438	51499	54382	54453	54514	54524	54585	57659	57722	57784	57793	57865
		S/T	0.50	0.58	0.66	0.66	0.76	0.53	0.62	0.70	0.70	0.80	0.56	0.66	0.75	0.75	0.85	0.59	0.70	0.79	0.79	0.90
		PI	3.88	3.89	3.89	3.89	3.90	4.12	4.12	4.12	4.13	4.13	4.36	4.37	4.37	4.37	4.38	4.62	4.63	4.63	4.64	4.64
	59°F (15°C)	TC	48200	48265	48317	48319	48384	51105	51165	51216	51226	51287	54158	54228	54289	54299	54360	57421	57484	57546	57555	57627
		S/T	0.50	0.59	0.67	0.67	0.76	0.53	0.62	0.71	0.71	0.81	0.56	0.66	0.75	0.75	0.86	0.60	0.70	0.80	0.80	0.91
		PI	3.89	3.90	3.90	3.90	3.91	4.13	4.13	4.14	4.14	4.14	4.37	4.38	4.38	4.39	4.39	4.64	4.64	4.65	4.65	4.65
	68°F (20°C)	TC	48001	48065	48117	48119	48184	50893	50954	51004	51014	51074	53934	54004	54064	54074	54134	57183	57246	57308	57317	57388
		S/T	0.51	0.60	0.69	0.69	0.78	0.54	0.64	0.73	0.73	0.83	0.58	0.68	0.77	0.77	0.88	0.61	0.72	0.82	0.82	0.93
		PI	3.90	3.91	3.91	3.91	3.92	4.14	4.14	4.15	4.15	4.15	4.39	4.39	4.40	4.40	4.40	4.65	4.66	4.66	4.66	4.67
	77°F (25°C)	TC	47801	47865	47917	47919	47984	50682	50742	50792	50802	50862	53710	53779	53839	53849	53909	56946	57008	57070	57079	57150
		S/T	0.52	0.61	0.69	0.69	0.79	0.55	0.65	0.74	0.74	0.84	0.59	0.69	0.78	0.78	0.89	0.62	0.73	0.83	0.83	0.94
		PI	3.91	3.92	3.92	3.92	3.93	4.15	4.16	4.16	4.16	4.17	4.40	4.40	4.41	4.41	4.41	4.66	4.67	4.67	4.67	4.68
	82°F (27.8°C)	TC	47907	47971	48023	48025	48090	50794	50854	50904	50914	50975	53828	53898	53958	53968	54029	57072	57134	57196	57205	57276
		S/T	0.53	0.62	0.70	0.70	0.80	0.56	0.66	0.75	0.75	0.85	0.59	0.70	0.79	0.79	0.90	0.63	0.74	0.84	0.84	0.95
		PI	4.13	4.14	4.14	4.14	4.15	4.38	4.38	4.39	4.39	4.39	4.64	4.65	4.65	4.65	4.66	4.92	4.93	4.93	4.93	4.94
	86°F (30°C)	TC	48264	48329	48381	48383	48449	51173	51233	51284	51294	51355	54230	54301	54361	54371	54432	57498	57560	57623	57632	57704
		S/T	0.53	0.63	0.71	0.71	0.81	0.57	0.66	0.75	0.75	0.86	0.60	0.70	0.80	0.80	0.91	0.64	0.75	0.85	0.85	0.97
		PI	4.57	4.57	4.58	4.58	4.58	4.84	4.85	4.85	4.85	4.86	5.13	5.14	5.14	5.14	5.15	5.44	5.45	5.45	5.45	5.46
	95°F (35°C)	TC	49069	49135	49188	49190	49256	52026	52088	52139	52150	52211	55134	55206	55268	55278	55340	58456	58520	58584	58593	58666
		S/T	0.53	0.63	0.71	0.71	0.81	0.57	0.66	0.75	0.75	0.86	0.60	0.70	0.80	0.80	0.91	0.64	0.75	0.85	0.85	0.97
		PI	5.55	5.56	5.56	5.56	5.57	5.88	5.89	5.90	5.90	5.91	6.24	6.24	6.25	6.25	6.26	6.61	6.62	6.63	6.63	6.64
	104°F (40°C)	TC	41990	42046	42092	42094	42150	44520	44573	44617	44626	44679	47180	47242	47294	47303	47356	50023	50077	50132	50140	50202
		S/T	0.55	0.64	0.73	0.73	0.83	0.58	0.68	0.77	0.77	0.88	0.62	0.72	0.82	0.82	0.93	0.65	0.76	0.87	0.87	0.99
		PI	4.87	4.87	4.88	4.88	4.88	5.16	5.16	5.17	5.17	5.18	5.47	5.47	5.48	5.48	5.49	5.80	5.80	5.81	5.81	5.82
110°F (43°C)	TC	37742	37793	37834	37836	37887	40017	40064	40104	40112	40159	42408	42463	42510	42518	42565	44963	45012	45061	45068	45124	
	S/T	0.57	0.67	0.76	0.76	0.86	0.60	0.71	0.80	0.80	0.91	0.64	0.75	0.85	0.85	0.97	0.68	0.79	0.90	0.90	1.00	
	PI	4.45	4.46	4.47	4.47	4.47	4.72	4.73	4.73	4.73	4.74	5.00	5.01	5.02	5.02	5.02	5.31	5.31	5.32	5.32	5.33	
115°F (46°C)	TC	32205	32249	32283	32285	32328	34146	34186	34220	34227	34268	36186	36233	36273	36280	36321	38366	38408	38450	38456	38504	
	S/T	0.57	0.67	0.77	0.77	0.87	0.61	0.71	0.81	0.81	0.92	0.65	0.76	0.86	0.86	0.98	0.68	0.80	0.91	0.91	1.00	
	PI	4.09	4.10	4.10	4.10	4.11	4.34	4.35	4.35	4.35	4.36	4.60	4.61	4.61	4.61	4.62	4.88	4.88	4.89	4.89	4.89	
122°F (50°C)	TC	24822	24856	24882	24884	24917	26318	26349	26375	26381	26412	27891	27927	27958	27963	27994	29571	29603	29635	29640	29677	
	S/T	0.59	0.69	0.78	0.78	0.89	0.62	0.73	0.83	0.83	0.95	0.66	0.77	0.88	0.88	1.00	0.70	0.82	0.93	0.93	1.00	
	PI	3.61	3.62	3.62	3.62	3.63	3.83	3.84	3.84	3.84	3.84	4.06	4.07	4.07	4.07	4.08	4.30	4.31	4.31	4.31	4.32	

S/T:Sensible Cooling Capacity Ratio

PI:Power Input(kW)

42MPHP-HH-SYS-B Expanded Heating @ 1,094 CFM

CFM	HEATING PERFORMANCE AT INDOOR DRY BULB TEMPERATURE										
	OD DB (°F)	TC : Total Heating Capacity(BTU/hr)					PI : Power Input(kW)				
		Indoor Conditions (DB °F)					Indoor Conditions (DB °F)				
		60.8°F	68°F	70°F	71.6°F	75.2°F	60.8°F	68°F	70°F	71.6°F	75.2°F
1094	-22°F	19115	18732	18639	17378	17222	4.87	4.91	4.92	4.93	4.95
	-13°F	23783	23308	23191	20791	20604	5.30	5.34	5.35	5.36	5.38
	-4°F	27928	27369	27232	24414	24194	5.24	5.29	5.30	5.31	5.33
	0°F	31719	31084	30929	27728	27478	5.43	5.48	5.49	5.50	5.52
	5°F	36457	35728	35549	31870	31583	5.67	5.72	5.73	5.74	5.76
	14°F	39198	38414	38222	34266	33958	5.52	5.57	5.58	5.59	5.61
	17°F	40112	39310	39113	35065	34749	5.48	5.52	5.53	5.54	5.56
	22°F	41015	40195	39994	35854	35532	5.29	5.34	5.35	5.36	5.38
	27°F	41918	41079	40874	36644	36314	5.11	5.15	5.16	5.17	5.19
	32°F	42821	41964	41755	37433	37096	4.93	4.97	4.98	4.99	5.01
	35°F	43363	42495	42283	37907	37565	4.82	4.86	4.87	4.88	4.90
	37°F	45543	44632	44409	39813	39455	4.90	4.94	4.95	4.96	4.98
	42°F	50995	49975	49725	44578	44177	5.09	5.13	5.14	5.15	5.17
	44.6°F	53175	52112	51851	46485	46066	5.17	5.21	5.22	5.23	5.25
	47°F	56446	55317	55041	49344	48900	5.28	5.33	5.34	5.35	5.37
	52°F	51798	50762	50508	45280	44873	4.86	4.90	4.91	4.92	4.94
	57°F	47149	46206	45975	41217	40846	4.43	4.47	4.47	4.48	4.50
59°F	45290	44384	44162	39591	39235	4.26	4.29	4.30	4.31	4.33	
62°F	42501	41651	41442	37153	36819	4.00	4.03	4.04	4.05	4.07	
64.4°F	40641	39829	39629	35528	35208	3.83	3.86	3.87	3.88	3.89	

42MHPH-HH-SYS-B Expanded Heating @ 1,282 CFM

CFM	HEATING PERFORMANCE AT INDOOR DRY BULB TEMPERATURE										
	OD DB (°F)	TC : Total Heating Capacity(BTU/hr)					PI : Power Input(kW)				
		Indoor Conditions (DB °F)					Indoor Conditions (DB °F)				
		60.8°F	68°F	70°F	71.6°F	75.2°F	60.8°F	68°F	70°F	71.6°F	75.2°F
1282	-22°F	20591	20179	20078	19348	19174	4.92	4.96	4.97	4.98	5.00
	-13°F	25123	24620	24497	23148	22940	5.35	5.40	5.41	5.42	5.44
	-4°F	29500	28910	28766	27182	26937	5.30	5.34	5.35	5.36	5.38
	0°F	33505	32835	32670	30872	30594	5.49	5.53	5.54	5.55	5.58
	5°F	38510	37740	37551	35484	35164	5.73	5.77	5.79	5.80	5.82
	14°F	41405	40577	40374	38151	37808	5.58	5.63	5.64	5.65	5.67
	17°F	42371	41523	41316	39041	38689	5.53	5.58	5.59	5.60	5.62
	22°F	43324	42458	42246	39920	39560	5.35	5.39	5.40	5.41	5.43
	27°F	44278	43393	43176	40799	40431	5.16	5.21	5.22	5.23	5.25
	32°F	45232	44328	44106	41677	41302	4.98	5.02	5.03	5.04	5.06
	35°F	45804	44888	44664	42205	41825	4.87	4.91	4.92	4.93	4.95
	37°F	48108	47146	46910	44327	43928	4.95	4.99	5.00	5.01	5.03
	42°F	53866	52789	52525	49633	49186	5.14	5.18	5.19	5.21	5.23
	44.6°F	56170	55046	54771	51755	51290	5.22	5.26	5.27	5.28	5.31
	47°F	59625	58432	58140	54939	54445	5.34	5.38	5.39	5.40	5.42
	52°F	54715	53620	53352	50415	49961	4.91	4.95	4.96	4.97	4.99
	57°F	49804	48808	48564	45890	45477	4.47	4.51	4.52	4.53	4.55
59°F	47840	46883	46649	44080	43684	4.30	4.34	4.34	4.35	4.37	
62°F	44894	43996	43776	41366	40994	4.04	4.08	4.08	4.09	4.11	
64.4°F	42930	42071	41861	39556	39200	3.87	3.90	3.91	3.92	3.93	

42MPHP-HH-SYS-B Expanded Heating @ 1,471 CFM

CFM	HEATING PERFORMANCE AT INDOOR DRY BULB TEMPERATURE										
	OD DB (°F)	TC : Total Heating Capacity(BTU/hr)					PI : Power Input(kW)				
		Indoor Conditions (DB °F)					Indoor Conditions (DB °F)				
		60.8°F	68°F	70°F	71.6°F	75.2°F	60.8°F	68°F	70°F	71.6°F	75.2°F
1471	-22°F	22181	21738	21629	21542	21348	4.97	5.01	5.02	5.03	5.05
	-13°F	26537	26006	25876	25773	25541	5.41	5.45	5.46	5.47	5.49
	-4°F	31162	30538	30386	30264	29992	5.35	5.39	5.40	5.42	5.44
	0°F	35391	34684	34510	34372	34063	5.54	5.59	5.60	5.61	5.63
	5°F	40679	39865	39666	39507	39152	5.79	5.83	5.84	5.86	5.88
	14°F	43737	42862	42648	42477	42095	5.64	5.68	5.69	5.70	5.73
	17°F	44756	43861	43642	43467	43076	5.59	5.63	5.64	5.65	5.68
	22°F	45764	44849	44625	44446	44046	5.40	5.44	5.46	5.47	5.49
	27°F	46772	45836	45607	45425	45016	5.22	5.26	5.27	5.28	5.30
	32°F	47779	46824	46589	46403	45986	5.03	5.07	5.08	5.09	5.11
	35°F	48384	47416	47179	46990	46567	4.92	4.96	4.97	4.98	5.00
	37°F	50817	49801	49552	49353	48909	5.00	5.04	5.05	5.06	5.08
	42°F	56900	55762	55483	55261	54764	5.19	5.24	5.25	5.26	5.28
	44.6°F	59333	58146	57855	57624	57105	5.27	5.32	5.33	5.34	5.36
	47°F	62982	61723	61414	61168	60618	5.39	5.44	5.45	5.46	5.48
	52°F	57796	56640	56356	56131	55626	4.96	5.00	5.01	5.02	5.04
	57°F	52609	51557	51299	51094	50634	4.52	4.56	4.57	4.57	4.59
59°F	50534	49523	49276	49079	48637	4.34	4.38	4.39	4.40	4.42	
62°F	47422	46474	46241	46056	45642	4.08	4.12	4.12	4.13	4.15	
64.4°F	45347	44440	44218	44041	43645	3.91	3.94	3.95	3.96	3.97	

42MPHP-HH-SYS-B Expanded Heating @ 1,600 CFM

CFM	HEATING PERFORMANCE AT INDOOR DRY BULB TEMPERATURE										
	OD DB (°F)	TC : Total Heating Capacity(BTU/hr)					PI : Power Input(kW)				
		Indoor Conditions (DB °F)					Indoor Conditions (DB °F)				
		60.8°F	68°F	70°F	71.6°F	75.2°F	60.8°F	68°F	70°F	71.6°F	75.2°F
1600	-22°F	23430	22962	22847	22755	22551	5.02	5.06	5.07	5.08	5.10
	-13°F	28032	27471	27334	27224	26979	5.46	5.50	5.52	5.53	5.55
	-4°F	32916	32258	32097	31968	31681	5.40	5.45	5.46	5.47	5.49
	0°F	37384	36637	36453	36308	35981	5.60	5.65	5.66	5.67	5.69
	5°F	42969	42110	41899	41732	41356	5.84	5.89	5.90	5.91	5.94
	14°F	46200	45276	45049	44869	44465	5.69	5.74	5.75	5.76	5.79
	17°F	47277	46331	46100	45915	45502	5.64	5.69	5.70	5.71	5.73
	22°F	48341	47374	47137	46949	46526	5.46	5.50	5.51	5.52	5.54
	27°F	49405	48417	48175	47982	47551	5.27	5.31	5.32	5.33	5.35
	32°F	50470	49460	49213	49016	48575	5.08	5.12	5.13	5.14	5.16
	35°F	51108	50086	49836	49636	49190	4.97	5.01	5.02	5.03	5.05
	37°F	53678	52605	52342	52132	51663	5.05	5.09	5.10	5.11	5.13
	42°F	60104	58902	58607	58373	57847	5.25	5.29	5.30	5.31	5.33
	44.6°F	62674	61420	61113	60869	60321	5.33	5.37	5.38	5.39	5.41
	47°F	66529	65198	64872	64613	64031	5.45	5.49	5.50	5.51	5.53
	52°F	61050	59829	59530	59292	58758	5.01	5.05	5.06	5.07	5.09
	57°F	55571	54460	54187	53971	53485	4.57	4.60	4.61	4.62	4.64
	59°F	53380	52312	52051	51842	51376	4.39	4.42	4.43	4.44	4.46
62°F	50092	49091	48845	48650	48212	4.12	4.16	4.17	4.17	4.19	
64.4°F	47901	46943	46708	46521	46103	3.95	3.98	3.99	4.00	4.01	

48MPHP-HH-SYS-B Expanded Cooling @ 1,094 CFM

CFM	OD DB (°F)	ID WB	60.8°F (16.0°C)					64.4°F (18.0°C)					67°F (19.4°C)					71.6°F (22.0°C)				
			ID DB					ID DB					ID DB					ID DB				
			73.4°F	77.0°F	80.0°F	80.6°F	84.2°F	73.4°F	77.0°F	80.0°F	80.6°F	84.2°F	73.4°F	77.0°F	80.0°F	80.6°F	84.2°F	73.4°F	77.0°F	80.0°F	80.6°F	84.2°F
23.0°C	25.0°C	26.7°C	27.0°C	29.0°C	23.0°C	25.0°C	26.7°C	27.0°C	29.0°C	23.0°C	25.0°C	26.7°C	27.0°C	29.0°C	23.0°C	25.0°C	26.7°C	27.0°C	29.0°C			
1094	50°F (10°C)	TC	31515	31558	31592	31593	31636	33415	33454	33487	33494	33534	35411	35457	35496	35503	35543	37544	37585	37626	37632	37679
		S/T	0.42	0.50	0.56	0.56	0.64	0.45	0.53	0.60	0.60	0.68	0.47	0.56	0.63	0.63	0.72	0.50	0.59	0.67	0.67	0.77
		PI	1.31	1.31	1.31	1.31	1.31	1.39	1.39	1.39	1.39	1.39	1.47	1.47	1.47	1.47	1.48	1.56	1.56	1.56	1.56	1.56
	59°F (15°C)	TC	32284	32327	32362	32364	32407	34230	34270	34304	34311	34352	36275	36322	36362	36369	36410	38460	38502	38544	38550	38598
		S/T	0.42	0.50	0.57	0.57	0.65	0.45	0.53	0.60	0.60	0.68	0.48	0.56	0.64	0.64	0.73	0.51	0.59	0.67	0.67	0.77
		PI	1.46	1.46	1.46	1.46	1.46	1.54	1.55	1.55	1.55	1.55	1.64	1.64	1.64	1.64	1.64	1.73	1.74	1.74	1.74	1.74
	68°F (20°C)	TC	33053	33097	33133	33134	33179	35045	35086	35121	35128	35170	37138	37187	37228	37235	37277	39376	39419	39462	39468	39517
		S/T	0.44	0.51	0.58	0.58	0.66	0.46	0.54	0.62	0.62	0.70	0.49	0.57	0.65	0.65	0.74	0.52	0.61	0.69	0.69	0.79
		PI	1.60	1.61	1.61	1.61	1.61	1.70	1.70	1.70	1.70	1.71	1.80	1.80	1.81	1.81	1.81	1.91	1.91	1.91	1.91	1.92
	77°F (25°C)	TC	33822	33867	33904	33905	33951	35860	35902	35938	35945	35988	38002	38052	38094	38101	38144	40292	40336	40380	40386	40436
		S/T	0.44	0.52	0.59	0.59	0.67	0.47	0.55	0.62	0.62	0.71	0.50	0.58	0.66	0.66	0.75	0.53	0.62	0.70	0.70	0.80
		PI	1.75	1.75	1.75	1.76	1.76	1.86	1.86	1.86	1.86	1.86	1.97	1.97	1.97	1.97	1.97	2.09	2.09	2.09	2.09	2.09
	82°F (27.8°C)	TC	34643	34690	34727	34729	34776	36731	36775	36811	36818	36862	38926	38976	39020	39027	39071	41271	41316	41361	41367	41419
		S/T	0.45	0.52	0.60	0.60	0.68	0.47	0.56	0.63	0.63	0.72	0.50	0.59	0.67	0.67	0.76	0.53	0.63	0.71	0.71	0.81
		PI	2.07	2.08	2.08	2.08	2.08	2.20	2.20	2.20	2.20	2.21	2.33	2.33	2.34	2.34	2.34	2.47	2.47	2.48	2.48	2.48
	86°F (30°C)	TC	35799	35847	35886	35887	35936	37956	38001	38039	38046	38092	40224	40276	40321	40329	40374	42648	42694	42741	42747	42800
		S/T	0.45	0.53	0.60	0.60	0.69	0.48	0.56	0.64	0.64	0.73	0.51	0.60	0.68	0.68	0.77	0.54	0.63	0.72	0.72	0.82
		PI	2.64	2.64	2.64	2.64	2.65	2.79	2.80	2.80	2.80	2.80	2.96	2.97	2.97	2.97	2.97	3.14	3.14	3.15	3.15	3.15
	95°F (35°C)	TC	38399	38451	38492	38494	38546	40713	40761	40802	40810	40858	43146	43202	43250	43258	43306	45745	45795	45845	45852	45909
		S/T	0.45	0.53	0.60	0.60	0.69	0.48	0.56	0.64	0.64	0.73	0.51	0.60	0.68	0.68	0.77	0.54	0.63	0.72	0.72	0.82
		PI	3.90	3.91	3.91	3.91	3.92	4.14	4.14	4.14	4.15	4.15	4.38	4.39	4.39	4.39	4.40	4.65	4.65	4.66	4.66	4.66
	104°F (40°C)	TC	34284	34330	34367	34368	34415	36350	36393	36429	36436	36479	38521	38571	38614	38622	38665	40842	40887	40931	40938	40989
		S/T	0.46	0.54	0.62	0.62	0.71	0.49	0.58	0.66	0.66	0.75	0.52	0.61	0.70	0.70	0.79	0.55	0.65	0.74	0.74	0.84
		PI	3.74	3.74	3.74	3.74	3.75	3.96	3.97	3.97	3.97	3.97	4.20	4.20	4.21	4.21	4.21	4.45	4.45	4.46	4.46	4.47
110°F (43°C)	TC	31814	31857	31891	31893	31936	33732	33771	33805	33811	33852	35747	35793	35833	35840	35880	37901	37942	37983	37989	38036	
	S/T	0.48	0.56	0.64	0.64	0.73	0.51	0.60	0.68	0.68	0.78	0.54	0.63	0.72	0.72	0.82	0.57	0.67	0.76	0.76	0.87	
	PI	3.64	3.64	3.64	3.65	3.65	3.86	3.86	3.86	3.86	3.87	4.09	4.09	4.10	4.10	4.10	4.33	4.34	4.34	4.34	4.35	
115°F (46°C)	TC	28015	28053	28083	28084	28122	29703	29738	29768	29774	29809	31478	31519	31554	31560	31595	33374	33411	33447	33452	33494	
	S/T	0.49	0.57	0.65	0.65	0.74	0.52	0.61	0.69	0.69	0.78	0.55	0.64	0.73	0.73	0.83	0.58	0.68	0.77	0.77	0.88	
	PI	3.42	3.42	3.42	3.42	3.43	3.62	3.63	3.63	3.63	3.63	3.84	3.84	3.85	3.85	3.85	4.07	4.07	4.08	4.08	4.08	
122°F (50°C)	TC	22949	22980	23005	23006	23037	24332	24361	24385	24390	24419	25786	25819	25848	25853	25882	27339	27369	27399	27403	27437	
	S/T	0.50	0.58	0.66	0.66	0.76	0.53	0.62	0.70	0.70	0.80	0.56	0.66	0.75	0.75	0.85	0.59	0.70	0.79	0.79	0.90	
	PI	3.12	3.13	3.13	3.13	3.13	3.31	3.31	3.32	3.32	3.32	3.51	3.51	3.52	3.52	3.52	3.72	3.72	3.73	3.73	3.73	

S/T: Sensible Cooling Capacity Ratio

PI: Power Input(kW)

48MPHP-HH-SYS-B Expanded Cooling @ 1,282 CFM

CFM	OD DB (°F)	ID WB	60.8°F (16.0°C)					64.4°F (18.0°C)					67°F (19.4°C)					71.6°F (22.0°C)				
			ID DB					ID DB					ID DB					ID DB				
			73.4°F	77.0°F	80.0°F	80.6°F	84.2°F	73.4°F	77.0°F	80.0°F	80.6°F	84.2°F	73.4°F	77.0°F	80.0°F	80.6°F	84.2°F	73.4°F	77.0°F	80.0°F	80.6°F	84.2°F
23.0°C	25.0°C	26.7°C	27.0°C	29.0°C	23.0°C	25.0°C	26.7°C	27.0°C	29.0°C	23.0°C	25.0°C	26.7°C	27.0°C	29.0°C	23.0°C	25.0°C	26.7°C	27.0°C	29.0°C			
1282	50°F (10°C)	TC	33290	33335	33371	33372	33417	35296	35338	35373	35380	35422	37405	37454	37495	37502	37544	39659	39702	39745	39751	39801
		S/T	0.45	0.52	0.60	0.60	0.68	0.47	0.56	0.63	0.63	0.72	0.50	0.59	0.67	0.67	0.76	0.53	0.62	0.71	0.71	0.81
		PI	1.38	1.38	1.39	1.39	1.39	1.47	1.47	1.47	1.47	1.47	1.55	1.56	1.56	1.56	1.56	1.65	1.65	1.65	1.65	1.65
	59°F (15°C)	TC	34102	34148	34185	34186	34232	36157	36200	36236	36243	36286	38317	38367	38410	38417	38460	40626	40670	40714	40721	40772
		S/T	0.45	0.53	0.60	0.60	0.68	0.48	0.56	0.63	0.63	0.72	0.50	0.59	0.67	0.67	0.77	0.53	0.63	0.71	0.71	0.81
		PI	1.54	1.54	1.54	1.54	1.54	1.63	1.63	1.63	1.63	1.64	1.73	1.73	1.73	1.73	1.73	1.83	1.83	1.84	1.84	1.84
	68°F (20°C)	TC	34914	34961	34999	35000	35047	37018	37062	37099	37106	37150	39230	39281	39325	39332	39376	41593	41639	41684	41690	41742
		S/T	0.46	0.54	0.61	0.61	0.70	0.49	0.57	0.65	0.65	0.74	0.52	0.61	0.69	0.69	0.79	0.55	0.64	0.73	0.73	0.83
		PI	1.69	1.70	1.70	1.70	1.70	1.80	1.80	1.80	1.80	1.80	1.90	1.91	1.91	1.91	1.91	2.02	2.02	2.02	2.02	2.02
	77°F (25°C)	TC	35726	35774	35813	35814	35863	37879	37924	37961	37969	38014	40142	40194	40239	40247	40292	42561	42607	42653	42660	42713
		S/T	0.47	0.55	0.62	0.62	0.71	0.49	0.58	0.66	0.66	0.75	0.52	0.62	0.70	0.70	0.80	0.56	0.65	0.74	0.74	0.84
		PI	1.85	1.85	1.85	1.85	1.86	1.96	1.96	1.97	1.97	1.97	2.08	2.08	2.08	2.08	2.09	2.20	2.21	2.21	2.21	2.21
	82°F (27.8°C)	TC	36594	36643	36683	36685	36734	38800	38846	38884	38892	38938	41118	41171	41217	41225	41271	43595	43642	43690	43697	43751
		S/T	0.47	0.55	0.63	0.63	0.72	0.50	0.59	0.67	0.67	0.76	0.53	0.62	0.71	0.71	0.81	0.56	0.66	0.75	0.75	0.86
		PI	2.19	2.19	2.20	2.20	2.20	2.32	2.32	2.33	2.33	2.33	2.46	2.46	2.47	2.47	2.47	2.61	2.61	2.61	2.62	2.62
	86°F (30°C)	TC	37815	37866	37907	37908	37959	40094	40141	40181	40189	40237	42489	42544	42592	42600	42647	45049	45098	45147	45154	45211
		S/T	0.48	0.56	0.64	0.64	0.73	0.51	0.60	0.68	0.68	0.77	0.54	0.63	0.72	0.72	0.82	0.57	0.67	0.76	0.76	0.87
		PI	2.78	2.79	2.79	2.79	2.79	2.95	2.96	2.96	2.96	2.96	3.13	3.13	3.14	3.14	3.14	3.32	3.32	3.32	3.32	3.33
	95°F (35°C)	TC	40561	40616	40660	40662	40716	43006	43057	43099	43108	43159	45575	45634	45685	45694	45745	48321	48374	48426	48434	48494
		S/T	0.48	0.56	0.64	0.64	0.73	0.51	0.60	0.68	0.68	0.77	0.54	0.63	0.72	0.72	0.82	0.57	0.67	0.76	0.76	0.87
		PI	4.12	4.13	4.13	4.13	4.14	4.37	4.37	4.38	4.38	4.38	4.63	4.64	4.64	4.64	4.65	4.91	4.91	4.92	4.92	4.93
	104°F (40°C)	TC	36214	36263	36302	36304	36352	38397	38442	38480	38488	38533	40691	40743	40789	40796	40842	43142	43189	43236	43243	43297
		S/T	0.49	0.58	0.65	0.65	0.75	0.52	0.61	0.69	0.69	0.79	0.55	0.65	0.73	0.73	0.84	0.58	0.69	0.78	0.78	0.89
		PI	3.95	3.95	3.96	3.96	3.96	4.18	4.19	4.19	4.19	4.20	4.43	4.44	4.44	4.44	4.45	4.70	4.71	4.71	4.71	4.72
110°F (43°C)	TC	33606	33651	33687	33689	33734	35631	35673	35708	35715	35758	37760	37809	37851	37858	37900	40035	40078	40122	40128	40178	
	S/T	0.51	0.60	0.68	0.68	0.77	0.54	0.63	0.72	0.72	0.82	0.57	0.67	0.76	0.76	0.87	0.61	0.71	0.81	0.81	0.92	
	PI	3.84	3.85	3.85	3.85	3.86	4.07	4.08	4.08	4.08	4.09	4.32	4.32	4.33	4.33	4.33	4.58	4.58	4.59	4.59	4.59	
115°F (46°C)	TC	29592	29632	29664	29665	29705	31376	31413	31444	31450	31488	33250	33293	33331	33337	33374	35254	35292	35330	35336	35380	
	S/T	0.51	0.60	0.69	0.69	0.78	0.55	0.64	0.73	0.73	0.83	0.58	0.68	0.77	0.77	0.88	0.61	0.72	0.82	0.82	0.93	
	PI	3.61	3.61	3.62	3.62	3.62	3.83	3.83	3.83	3.83	3.84	4.05	4.06	4.06	4.06	4.07	4.30	4.30	4.31	4.31	4.31	
122°F (50°C)	TC	24241	24274	24300	24301	24334	25702	25733	25758	25763	25794	27238	27273	27304	27309	27339	28879	28910	28942	28946	28982	
	S/T	0.53	0.62	0.70	0.70	0.80	0.56	0.65	0.74	0.74	0.85	0.59	0.69	0.79	0.79	0.90	0.63	0.74	0.84	0.84	0.95	
	PI	3.30	3.30	3.31	3.31	3.31	3.50	3.50	3.50	3.51	3.51	3.71	3.71	3.71	3.72	3.72	3.93	3.93	3.94	3.94	3.94	

S/T:Sensible Cooling Capacity Ratio

PI:Power Input(kW)

48MPHP-HH-SYS-B Expanded Cooling @ 1,471 CFM

CFM	OD DB (°F)	ID WB	60.8°F (16.0°C)					64.4°F (18.0°C)					67°F (19.4°C)					71.6°F (22.0°C)				
			ID DB					ID DB					ID DB					ID DB				
			73.4°F	77.0°F	80.0°F	80.6°F	84.2°F	73.4°F	77.0°F	80.0°F	80.6°F	84.2°F	73.4°F	77.0°F	80.0°F	80.6°F	84.2°F	73.4°F	77.0°F	80.0°F	80.6°F	84.2°F
23.0°C	25.0°C	26.7°C	27.0°C	29.0°C	23.0°C	25.0°C	26.7°C	27.0°C	29.0°C	23.0°C	25.0°C	26.7°C	27.0°C	29.0°C	23.0°C	25.0°C	26.7°C	27.0°C	29.0°C			
1471	50°F (10°C)	TC	35165	35212	35250	35251	35299	37284	37328	37365	37372	37417	39511	39563	39607	39614	39658	41892	41937	41983	41990	42042
		S/T	0.47	0.55	0.63	0.63	0.72	0.50	0.59	0.67	0.67	0.76	0.53	0.62	0.71	0.71	0.81	0.56	0.66	0.75	0.75	0.85
		PI	1.46	1.46	1.46	1.46	1.47	1.55	1.55	1.55	1.55	1.55	1.64	1.64	1.64	1.64	1.65	1.74	1.74	1.74	1.74	1.75
	59°F (15°C)	TC	36022	36071	36110	36111	36160	38193	38238	38276	38284	38329	40475	40528	40573	40580	40626	42914	42960	43007	43014	43067
		S/T	0.47	0.56	0.63	0.63	0.72	0.50	0.59	0.67	0.67	0.76	0.53	0.62	0.71	0.71	0.81	0.56	0.66	0.75	0.75	0.86
		PI	1.62	1.63	1.63	1.63	1.63	1.72	1.72	1.73	1.73	1.73	1.83	1.83	1.83	1.83	1.83	1.94	1.94	1.94	1.94	1.94
	68°F (20°C)	TC	36880	36930	36969	36971	37021	39103	39149	39188	39195	39242	41439	41493	41539	41547	41593	43936	43983	44031	44038	44093
		S/T	0.49	0.57	0.65	0.65	0.74	0.52	0.61	0.69	0.69	0.78	0.55	0.64	0.73	0.73	0.83	0.58	0.68	0.77	0.77	0.88
		PI	1.79	1.79	1.79	1.79	1.80	1.90	1.90	1.90	1.90	1.90	2.01	2.01	2.01	2.02	2.02	2.13	2.13	2.14	2.14	2.14
	77°F (25°C)	TC	37738	37789	37829	37831	37882	40012	40060	40099	40107	40155	42403	42458	42505	42513	42560	44957	45006	45055	45062	45118
		S/T	0.49	0.58	0.66	0.66	0.75	0.52	0.61	0.70	0.70	0.79	0.55	0.65	0.74	0.74	0.84	0.59	0.69	0.78	0.78	0.89
		PI	1.95	1.96	1.96	1.96	1.96	2.07	2.07	2.08	2.08	2.08	2.19	2.20	2.20	2.20	2.20	2.33	2.33	2.33	2.33	2.34
	82°F (27.8°C)	TC	38655	38707	38749	38750	38803	40984	41033	41073	41082	41130	43433	43489	43538	43546	43595	46050	46100	46150	46157	46215
		S/T	0.50	0.59	0.67	0.67	0.76	0.53	0.62	0.71	0.71	0.80	0.56	0.66	0.75	0.75	0.85	0.59	0.70	0.79	0.79	0.90
		PI	2.31	2.32	2.32	2.32	2.32	2.45	2.46	2.46	2.46	2.46	2.60	2.60	2.61	2.61	2.61	2.76	2.76	2.76	2.76	2.77
	86°F (30°C)	TC	39944	39998	40041	40043	40097	42352	42402	42444	42452	42502	44882	44940	44990	44999	45049	47586	47638	47690	47697	47756
		S/T	0.51	0.59	0.67	0.67	0.77	0.54	0.63	0.71	0.71	0.81	0.57	0.67	0.76	0.76	0.86	0.60	0.71	0.80	0.80	0.92
		PI	2.94	2.94	2.95	2.95	2.95	3.12	3.12	3.12	3.13	3.13	3.30	3.31	3.31	3.31	3.32	3.50	3.51	3.51	3.51	3.52
	95°F (35°C)	TC	42845	42903	42949	42951	43009	45428	45481	45526	45535	45589	48142	48204	48258	48267	48321	51042	51098	51153	51161	51225
		S/T	0.51	0.59	0.67	0.67	0.77	0.54	0.63	0.71	0.71	0.81	0.57	0.67	0.76	0.76	0.86	0.60	0.71	0.80	0.80	0.92
		PI	4.35	4.36	4.36	4.36	4.37	4.61	4.62	4.62	4.63	4.63	4.89	4.90	4.90	4.90	4.91	5.18	5.19	5.20	5.20	5.20
	104°F (40°C)	TC	38253	38305	38346	38348	38399	40559	40607	40647	40655	40703	42982	43038	43086	43094	43142	45572	45621	45671	45678	45735
		S/T	0.52	0.61	0.69	0.69	0.79	0.55	0.64	0.73	0.73	0.83	0.58	0.68	0.78	0.78	0.88	0.62	0.72	0.82	0.82	0.94
		PI	4.17	4.17	4.18	4.18	4.18	4.42	4.42	4.43	4.43	4.43	4.68	4.69	4.69	4.70	4.70	4.97	4.97	4.98	4.98	4.98
110°F (43°C)	TC	35498	35546	35584	35586	35634	37637	37682	37719	37727	37771	39886	39938	39982	39990	40034	42289	42335	42381	42388	42441	
	S/T	0.54	0.63	0.72	0.72	0.82	0.57	0.67	0.76	0.76	0.87	0.60	0.71	0.80	0.80	0.92	0.64	0.75	0.85	0.85	0.97	
	PI	4.06	4.06	4.07	4.07	4.07	4.30	4.31	4.31	4.31	4.32	4.56	4.56	4.57	4.57	4.58	4.83	4.84	4.84	4.84	4.85	
115°F (46°C)	TC	31259	31301	31335	31336	31378	33143	33182	33215	33221	33261	35123	35168	35207	35214	35253	37239	37279	37320	37326	37372	
	S/T	0.54	0.64	0.72	0.72	0.83	0.58	0.68	0.77	0.77	0.88	0.61	0.72	0.81	0.81	0.93	0.65	0.76	0.86	0.86	0.98	
	PI	3.81	3.82	3.82	3.82	3.83	4.04	4.05	4.05	4.05	4.06	4.28	4.29	4.29	4.29	4.30	4.54	4.55	4.55	4.55	4.56	
122°F (50°C)	TC	25606	25641	25668	25670	25704	27150	27182	27208	27214	27246	28772	28809	28841	28846	28879	30505	30538	30571	30576	30614	
	S/T	0.56	0.65	0.74	0.74	0.85	0.59	0.69	0.79	0.79	0.90	0.62	0.73	0.83	0.83	0.95	0.66	0.78	0.88	0.88	1.00	
	PI	3.48	3.49	3.49	3.49	3.50	3.69	3.70	3.70	3.70	3.71	3.91	3.92	3.92	3.92	3.93	4.15	4.15	4.16	4.16	4.17	

S/T:Sensible Cooling Capacity Ratio

PI:Power Input(kW)

48MPHP-HH-SYS-B Expanded Cooling @ 1,600 CFM

CFM	OD DB (°F)	ID WB	60.8°F (16.0°C)					64.4°F (18.0°C)					67°F (19.4°C)					71.6°F (22.0°C)				
			ID DB					ID DB					ID DB					ID DB				
			73.4°F	77.0°F	80.0°F	80.6°F	84.2°F	73.4°F	77.0°F	80.0°F	80.6°F	84.2°F	73.4°F	77.0°F	80.0°F	80.6°F	84.2°F	73.4°F	77.0°F	80.0°F	80.6°F	84.2°F
23.0°C	25.0°C	26.7°C	27.0°C	29.0°C	23.0°C	25.0°C	26.7°C	27.0°C	29.0°C	23.0°C	25.0°C	26.7°C	27.0°C	29.0°C	23.0°C	25.0°C	26.7°C	27.0°C	29.0°C			
1600	50°F (10°C)	TC	37145	37195	37235	37236	37287	39383	39430	39469	39477	39523	41736	41790	41837	41845	41891	44251	44299	44347	44354	44409
		S/T	0.50	0.58	0.66	0.66	0.76	0.53	0.62	0.70	0.70	0.80	0.56	0.66	0.75	0.75	0.85	0.59	0.70	0.79	0.79	0.90
		PI	1.54	1.54	1.55	1.55	1.55	1.64	1.64	1.64	1.64	1.64	1.73	1.74	1.74	1.74	1.74	1.84	1.84	1.84	1.84	1.84
	59°F (15°C)	TC	38051	38102	38143	38145	38196	40344	40392	40432	40440	40488	42754	42810	42857	42865	42913	45330	45380	45429	45436	45493
		S/T	0.50	0.59	0.67	0.67	0.76	0.53	0.62	0.71	0.71	0.81	0.56	0.66	0.75	0.75	0.86	0.60	0.70	0.80	0.80	0.91
		PI	1.72	1.72	1.72	1.72	1.72	1.82	1.82	1.82	1.82	1.83	1.93	1.93	1.93	1.93	1.94	2.04	2.05	2.05	2.05	2.05
	68°F (20°C)	TC	38957	39009	39051	39053	39106	41305	41353	41394	41403	41452	43772	43829	43878	43886	43935	46410	46460	46511	46518	46576
		S/T	0.51	0.60	0.69	0.69	0.78	0.54	0.64	0.73	0.73	0.83	0.58	0.68	0.77	0.77	0.88	0.61	0.72	0.82	0.82	0.93
		PI	1.89	1.89	1.89	1.89	1.90	2.00	2.01	2.01	2.01	2.01	2.12	2.13	2.13	2.13	2.13	2.25	2.25	2.26	2.26	2.26
	77°F (25°C)	TC	39863	39917	39960	39961	40015	42265	42315	42357	42365	42416	44790	44849	44899	44907	44957	47489	47541	47592	47600	47659
		S/T	0.52	0.61	0.69	0.69	0.79	0.55	0.65	0.74	0.74	0.84	0.59	0.69	0.78	0.78	0.89	0.62	0.73	0.83	0.83	0.94
		PI	2.06	2.07	2.07	2.07	2.07	2.19	2.19	2.19	2.19	2.20	2.32	2.32	2.32	2.32	2.33	2.46	2.46	2.46	2.46	2.47
	82°F (27.8°C)	TC	40832	40886	40931	40932	40988	43292	43344	43386	43395	43446	45879	45938	45990	45998	46049	48643	48696	48749	48756	48817
		S/T	0.53	0.62	0.70	0.70	0.80	0.56	0.66	0.75	0.75	0.85	0.59	0.70	0.79	0.79	0.90	0.63	0.74	0.84	0.84	0.95
		PI	2.44	2.45	2.45	2.45	2.45	2.59	2.59	2.60	2.60	2.60	2.75	2.75	2.75	2.75	2.76	2.91	2.91	2.92	2.92	2.92
	86°F (30°C)	TC	42194	42250	42296	42298	42355	44736	44789	44834	44842	44896	47409	47471	47524	47532	47585	50266	50320	50375	50383	50446
		S/T	0.53	0.63	0.71	0.71	0.81	0.57	0.66	0.75	0.75	0.86	0.60	0.70	0.80	0.80	0.91	0.64	0.75	0.85	0.85	0.97
		PI	3.11	3.11	3.11	3.11	3.12	3.29	3.30	3.30	3.30	3.31	3.49	3.49	3.50	3.50	3.50	3.70	3.70	3.71	3.71	3.71
	95°F (35°C)	TC	45258	45319	45368	45370	45431	47986	48042	48090	48099	48156	50852	50919	50975	50985	51042	53916	53975	54034	54042	54110
		S/T	0.53	0.63	0.71	0.71	0.81	0.57	0.66	0.75	0.75	0.86	0.60	0.70	0.80	0.80	0.91	0.64	0.75	0.85	0.85	0.97
		PI	4.60	4.60	4.61	4.61	4.61	4.87	4.88	4.88	4.89	4.89	5.17	5.17	5.18	5.18	5.18	5.48	5.48	5.49	5.49	5.50
	104°F (40°C)	TC	40407	40462	40505	40507	40562	42843	42893	42936	42944	42995	45402	45461	45512	45520	45571	48138	48190	48243	48250	48310
		S/T	0.55	0.64	0.73	0.73	0.83	0.58	0.68	0.77	0.77	0.88	0.62	0.72	0.82	0.82	0.93	0.65	0.76	0.87	0.87	0.99
		PI	4.40	4.41	4.41	4.41	4.42	4.67	4.67	4.68	4.68	4.68	4.95	4.95	4.96	4.96	4.97	5.24	5.25	5.26	5.26	5.26
110°F (43°C)	TC	37497	37547	37588	37590	37640	39757	39804	39843	39851	39898	42132	42187	42234	42242	42289	44671	44719	44768	44775	44830	
	S/T	0.57	0.67	0.76	0.76	0.86	0.60	0.71	0.80	0.80	0.91	0.64	0.75	0.85	0.85	0.97	0.68	0.79	0.90	0.90	1.00	
	PI	4.29	4.29	4.30	4.30	4.30	4.54	4.55	4.55	4.55	4.56	4.82	4.82	4.83	4.83	4.83	5.11	5.11	5.12	5.12	5.12	
115°F (46°C)	TC	33019	33063	33099	33100	33145	35009	35050	35085	35092	35134	37100	37149	37190	37197	37238	39336	39379	39421	39428	39477	
	S/T	0.57	0.67	0.77	0.77	0.87	0.61	0.71	0.81	0.81	0.92	0.65	0.76	0.86	0.86	0.98	0.68	0.80	0.91	0.91	1.00	
	PI	4.03	4.03	4.04	4.04	4.04	4.27	4.27	4.28	4.28	4.28	4.52	4.53	4.53	4.54	4.54	4.80	4.80	4.81	4.81	4.81	
122°F (50°C)	TC	27048	27085	27114	27115	27152	28678	28712	28741	28746	28780	30392	30431	30465	30471	30505	32223	32258	32293	32298	32338	
	S/T	0.59	0.69	0.78	0.78	0.89	0.62	0.73	0.83	0.83	0.95	0.66	0.77	0.88	0.88	1.00	0.70	0.82	0.93	0.93	1.00	
	PI	3.68	3.68	3.69	3.69	3.69	3.90	3.91	3.91	3.91	3.92	4.13	4.14	4.14	4.15	4.15	4.38	4.39	4.39	4.39	4.40	

S/T:Sensible Cooling Capacity Ratio

PI:Power Input(kW)

48MPHP-HH-SYS-B Expanded Heating @ 1,094 CFM

CFM	HEATING PERFORMANCE AT INDOOR DRY BULB TEMPERATURE										
	OD DB (°F)	TC : Total Heating Capacity(BTU/hr)					PI : Power Input(kW)				
		Indoor Conditions (DB °F)					Indoor Conditions (DB °F)				
		60.8°F	68°F	70°F	71.6°F	75.2°F	60.8°F	68°F	70°F	71.6°F	75.2°F
1094	-22°F	21644	21211	21105	19677	19500	5.50	5.55	5.56	5.57	5.59
	-13°F	29745	29150	29004	26002	25768	5.97	6.02	6.03	6.04	6.07
	-4°F	35391	34684	34510	30938	30660	6.16	6.21	6.22	6.23	6.26
	0°F	37780	37024	36839	33026	32729	6.52	6.57	6.58	6.59	6.62
	5°F	40765	39950	39750	35636	35315	6.96	7.02	7.03	7.05	7.08
	14°F	42459	41610	41402	37117	36783	6.55	6.60	6.62	6.63	6.66
	17°F	43024	42164	41953	37611	37272	6.41	6.46	6.48	6.49	6.51
	22°F	41266	40440	40238	36073	35749	6.04	6.09	6.10	6.11	6.14
	27°F	39507	38717	38523	34536	34225	5.67	5.71	5.72	5.73	5.76
	32°F	37749	36994	36809	32999	32702	5.29	5.34	5.35	5.36	5.38
	35°F	36693	35960	35780	32077	31788	5.07	5.11	5.12	5.13	5.15
	37°F	38881	38103	37913	33989	33683	5.06	5.10	5.11	5.12	5.14
	42°F	44350	43463	43245	38769	38421	5.03	5.07	5.08	5.09	5.11
	44.6°F	46537	45606	45378	40682	40316	5.01	5.06	5.07	5.08	5.10
	47°F	49818	48822	48578	43550	43158	5.00	5.04	5.05	5.06	5.08
	52°F	47129	46186	45955	41199	40828	4.43	4.46	4.47	4.48	4.50
	57°F	44439	43550	43332	38847	38498	3.86	3.89	3.90	3.91	3.92
	59°F	43363	42496	42283	37907	37566	3.63	3.66	3.67	3.68	3.69
62°F	41749	40914	40709	36496	36167	3.29	3.32	3.32	3.33	3.34	
64.4°F	40673	39859	39660	35555	35235	3.06	3.09	3.10	3.10	3.11	

48MPHP-HH-SYS-B Expanded Heating @ 1,282 CFM

CFM	HEATING PERFORMANCE AT INDOOR DRY BULB TEMPERATURE										
	OD DB (°F)	TC : Total Heating Capacity(BTU/hr)					PI : Power Input(kW)				
		Indoor Conditions (DB °F)					Indoor Conditions (DB °F)				
		60.8°F	68°F	70°F	71.6°F	75.2°F	60.8°F	68°F	70°F	71.6°F	75.2°F
1282	-22°F	23315	22849	22735	21909	21711	5.56	5.60	5.61	5.63	5.65
	-13°F	31420	30791	30637	28950	28690	6.03	6.08	6.09	6.10	6.13
	-4°F	37384	36637	36453	34446	34136	6.22	6.27	6.28	6.30	6.32
	0°F	39907	39109	38913	36771	36440	6.58	6.63	6.65	6.66	6.69
	5°F	43061	42200	41989	39677	39320	7.03	7.09	7.10	7.12	7.15
	14°F	44850	43953	43734	41326	40954	6.62	6.67	6.68	6.70	6.72
	17°F	45447	44538	44315	41875	41498	6.48	6.53	6.54	6.55	6.58
	22°F	43589	42718	42504	40164	39802	6.10	6.15	6.16	6.17	6.20
	27°F	41732	40897	40693	38452	38106	5.72	5.77	5.78	5.79	5.82
	32°F	39874	39077	38881	36741	36410	5.35	5.39	5.40	5.41	5.43
	35°F	38760	37985	37795	35714	35392	5.12	5.16	5.17	5.18	5.20
	37°F	41070	40249	40048	37843	37502	5.11	5.15	5.16	5.17	5.19
	42°F	46847	45910	45681	43165	42777	5.08	5.12	5.13	5.14	5.16
	44.6°F	49158	48175	47934	45295	44887	5.07	5.11	5.12	5.13	5.15
	47°F	52624	51571	51313	48488	48052	5.05	5.09	5.10	5.11	5.13
	52°F	49782	48787	48543	45870	45457	4.47	4.51	4.52	4.53	4.55
	57°F	46941	46002	45772	43252	42863	3.90	3.93	3.94	3.95	3.96
	59°F	45805	44888	44664	42205	41825	3.67	3.70	3.71	3.71	3.73
62°F	44100	43218	43002	40634	40268	3.32	3.35	3.36	3.37	3.38	
64.4°F	42963	42104	41893	39587	39231	3.10	3.12	3.13	3.13	3.15	

48MPHP-HH-SYS-B Expanded Heating @ 1,471 CFM

CFM	HEATING PERFORMANCE AT INDOOR DRY BULB TEMPERATURE										
	OD DB (°F)	TC : Total Heating Capacity(BTU/hr)					PI : Power Input(kW)				
		Indoor Conditions (DB °F)					Indoor Conditions (DB °F)				
		60.8°F	68°F	70°F	71.6°F	75.2°F	60.8°F	68°F	70°F	71.6°F	75.2°F
1471	-22°F	25116	24614	24491	24393	24173	5.61	5.66	5.67	5.68	5.70
	-13°F	33189	32525	32362	32233	31943	6.09	6.14	6.15	6.17	6.19
	-4°F	39489	38700	38506	38352	38007	6.28	6.33	6.35	6.36	6.39
	0°F	42154	41311	41105	40940	40572	6.65	6.70	6.72	6.73	6.76
	5°F	45486	44576	44353	44176	43778	7.10	7.16	7.18	7.19	7.22
	14°F	47376	46428	46196	46011	45597	6.68	6.74	6.75	6.76	6.79
	17°F	48006	47046	46811	46623	46204	6.54	6.59	6.61	6.62	6.65
	22°F	46044	45123	44897	44718	44315	6.16	6.21	6.22	6.24	6.26
	27°F	44082	43200	42984	42812	42427	5.78	5.83	5.84	5.85	5.87
	32°F	42120	41277	41071	40907	40538	5.40	5.44	5.45	5.47	5.49
	35°F	40942	40123	39923	39763	39405	5.17	5.21	5.22	5.23	5.26
	37°F	43383	42515	42303	42134	41754	5.16	5.20	5.21	5.22	5.24
	42°F	49485	48495	48253	48060	47627	5.13	5.17	5.18	5.19	5.21
	44.6°F	51926	50887	50633	50430	49976	5.12	5.16	5.17	5.18	5.20
	47°F	55587	54475	54203	53986	53500	5.10	5.14	5.15	5.16	5.18
	52°F	52586	51534	51276	51071	50612	4.52	4.55	4.56	4.57	4.59
	57°F	49584	48593	48350	48156	47723	3.94	3.97	3.98	3.99	4.00
	59°F	48384	47416	47179	46990	46567	3.71	3.74	3.74	3.75	3.77
62°F	46583	45651	45423	45241	44834	3.36	3.39	3.39	3.40	3.41	
64.4°F	45383	44475	44253	44076	43679	3.13	3.15	3.16	3.16	3.18	

48MPHP-HH-SYS-B Expanded Heating @ 1,600 CFM

CFM	HEATING PERFORMANCE AT INDOOR DRY BULB TEMPERATURE										
	OD DB (°F)	TC : Total Heating Capacity(BTU/hr)					PI : Power Input(kW)				
		Indoor Conditions (DB °F)					Indoor Conditions (DB °F)				
		60.8°F	68°F	70°F	71.6°F	75.2°F	60.8°F	68°F	70°F	71.6°F	75.2°F
1600	-22°F	26530	26000	25870	25766	25534	5.67	5.72	5.73	5.74	5.76
	-13°F	35058	34357	34185	34048	33742	6.15	6.20	6.22	6.23	6.25
	-4°F	41713	40879	40674	40512	40147	6.35	6.40	6.41	6.42	6.45
	0°F	44528	43638	43419	43246	42856	6.72	6.77	6.78	6.80	6.82
	5°F	48047	47086	46850	46663	46243	7.18	7.23	7.25	7.26	7.29
	14°F	50044	49043	48798	48602	48165	6.75	6.80	6.82	6.83	6.86
	17°F	50709	49695	49447	49249	48806	6.61	6.66	6.67	6.69	6.71
	22°F	48637	47664	47426	47236	46811	6.22	6.27	6.29	6.30	6.32
	27°F	46564	45633	45405	45223	44816	5.84	5.89	5.90	5.91	5.93
	32°F	44491	43602	43384	43210	42821	5.45	5.50	5.51	5.52	5.54
	35°F	43248	42383	42171	42002	41624	5.22	5.27	5.28	5.29	5.31
	37°F	45826	44909	44685	44506	44106	5.21	5.25	5.26	5.28	5.30
	42°F	52272	51226	50970	50766	50309	5.18	5.22	5.23	5.24	5.26
	44.6°F	54850	53753	53484	53270	52791	5.17	5.21	5.22	5.23	5.25
	47°F	58717	57543	57255	57026	56513	5.15	5.19	5.20	5.21	5.23
	52°F	55547	54436	54164	53947	53462	4.56	4.60	4.61	4.62	4.64
	57°F	52377	51329	51072	50868	50410	3.98	4.01	4.02	4.03	4.04
	59°F	51108	50086	49836	49636	49190	3.74	3.77	3.78	3.79	3.80
62°F	49206	48222	47981	47789	47359	3.39	3.42	3.43	3.43	3.45	
64.4°F	47938	46979	46744	46557	46138	3.16	3.18	3.19	3.20	3.21	

60MPHP-HH-SYS-B Expanded Cooling @ 1,135 CFM

CFM	OD DB (°F)	ID WB	60.8°F (16.0°C)					64.4°F (18.0°C)					67°F (19.4°C)					71.6°F (22.0°C)						
			ID DB		73.4°F	77.0°F	80.0°F	80.6°F	84.2°F	73.4°F	77.0°F	80.0°F	80.6°F	84.2°F	73.4°F	77.0°F	80.0°F	80.6°F	84.2°F	73.4°F	77.0°F	80.0°F	80.6°F	84.2°F
			23.0°C	25.0°C	26.7°C	27.0°C	29.0°C	23.0°C	25.0°C	26.7°C	27.0°C	29.0°C	23.0°C	25.0°C	26.7°C	27.0°C	29.0°C	23.0°C	25.0°C	26.7°C	27.0°C	29.0°C		
1135	50°F (10°C)	TC	34524	34571	34608	34609	34656	36605	36648	36684	36692	36735	38792	38842	38885	38893	38936	41129	41174	41219	41225	41276		
		S/T	0.37	0.43	0.49	0.49	0.56	0.39	0.46	0.52	0.52	0.59	0.41	0.48	0.55	0.55	0.63	0.44	0.51	0.58	0.58	0.66		
		PI	2.15	2.15	2.15	2.15	2.15	2.27	2.28	2.28	2.28	2.28	2.41	2.41	2.42	2.42	2.42	2.56	2.56	2.56	2.56	2.56		
	59°F (15°C)	TC	34353	34399	34436	34437	34484	36423	36466	36502	36509	36553	38599	38649	38692	38699	38743	40925	40969	41014	41020	41071		
		S/T	0.37	0.43	0.49	0.49	0.56	0.39	0.46	0.52	0.52	0.59	0.41	0.49	0.55	0.55	0.63	0.44	0.51	0.58	0.58	0.67		
		PI	2.16	2.16	2.16	2.16	2.17	2.29	2.29	2.29	2.29	2.30	2.42	2.43	2.43	2.43	2.43	2.57	2.57	2.58	2.58	2.58		
	68°F (20°C)	TC	34181	34227	34264	34265	34312	36241	36284	36320	36327	36370	38406	38456	38499	38506	38549	40720	40765	40809	40815	40866		
		S/T	0.38	0.44	0.50	0.50	0.57	0.40	0.47	0.53	0.53	0.61	0.42	0.50	0.57	0.57	0.65	0.45	0.53	0.60	0.60	0.68		
		PI	2.17	2.17	2.18	2.18	2.18	2.30	2.30	2.31	2.31	2.31	2.44	2.44	2.45	2.45	2.45	2.59	2.59	2.59	2.59	2.60		
	77°F (25°C)	TC	34010	34055	34092	34093	34139	36059	36102	36137	36145	36187	38213	38263	38306	38313	38356	40516	40560	40604	40610	40661		
		S/T	0.38	0.45	0.51	0.51	0.58	0.41	0.48	0.54	0.54	0.62	0.43	0.50	0.57	0.57	0.65	0.46	0.53	0.61	0.61	0.69		
		PI	2.18	2.19	2.19	2.19	2.19	2.32	2.32	2.32	2.32	2.32	2.45	2.46	2.46	2.46	2.46	2.60	2.60	2.61	2.61	2.61		
	82°F (27.8°C)	TC	34313	34359	34396	34398	34444	36381	36424	36460	36467	36511	38555	38605	38648	38655	38698	40878	40922	40966	40973	41024		
		S/T	0.39	0.45	0.52	0.52	0.59	0.41	0.48	0.55	0.55	0.62	0.44	0.51	0.58	0.58	0.66	0.46	0.54	0.62	0.62	0.70		
		PI	2.45	2.45	2.45	2.45	2.46	2.60	2.60	2.60	2.60	2.61	2.75	2.75	2.76	2.76	2.76	2.92	2.92	2.92	2.92	2.93		
	86°F (30°C)	TC	35059	35106	35144	35146	35193	37172	37216	37253	37260	37305	39393	39444	39488	39495	39540	41767	41812	41857	41864	41916		
		S/T	0.39	0.46	0.52	0.52	0.60	0.42	0.49	0.55	0.55	0.63	0.44	0.52	0.59	0.59	0.67	0.47	0.55	0.62	0.62	0.71		
		PI	2.99	2.99	2.99	2.99	3.00	3.17	3.17	3.17	3.17	3.18	3.35	3.36	3.36	3.36	3.37	3.56	3.56	3.56	3.56	3.57		
	95°F (35°C)	TC	36738	36788	36827	36829	36879	38952	38999	39037	39045	39091	41280	41333	41379	41387	41433	43767	43814	43862	43869	43923		
		S/T	0.39	0.46	0.52	0.52	0.60	0.42	0.49	0.55	0.55	0.63	0.44	0.52	0.59	0.59	0.67	0.47	0.55	0.62	0.62	0.71		
		PI	4.19	4.20	4.20	4.20	4.21	4.45	4.45	4.46	4.46	4.46	4.71	4.72	4.72	4.72	4.73	5.00	5.00	5.01	5.01	5.01		
	104°F (40°C)	TC	34519	34565	34602	34604	34651	36599	36642	36678	36686	36729	38786	38836	38879	38886	38930	41122	41167	41212	41218	41270		
		S/T	0.40	0.47	0.54	0.54	0.61	0.43	0.50	0.57	0.57	0.65	0.45	0.53	0.60	0.60	0.69	0.48	0.56	0.64	0.64	0.73		
		PI	4.20	4.20	4.21	4.21	4.21	4.45	4.46	4.46	4.46	4.47	4.72	4.72	4.73	4.73	4.73	5.00	5.01	5.01	5.01	5.02		
110°F (43°C)	TC	33187	33231	33267	33269	33314	35187	35229	35263	35270	35312	37289	37337	37379	37386	37428	39536	39579	39622	39628	39677			
	S/T	0.42	0.49	0.56	0.56	0.63	0.44	0.52	0.59	0.59	0.67	0.47	0.55	0.62	0.62	0.71	0.50	0.58	0.66	0.66	0.76			
	PI	4.20	4.21	4.21	4.21	4.22	4.45	4.46	4.46	4.46	4.47	4.72	4.73	4.73	4.73	4.74	5.00	5.01	5.02	5.02	5.02			
115°F (46°C)	TC	28662	28701	28731	28733	28771	30389	30425	30455	30461	30497	32205	32247	32283	32289	32325	34145	34182	34220	34225	34268			
	S/T	0.42	0.50	0.56	0.56	0.64	0.45	0.52	0.60	0.60	0.68	0.47	0.56	0.63	0.63	0.72	0.50	0.59	0.67	0.67	0.76			
	PI	3.72	3.73	3.73	3.73	3.74	3.95	3.95	3.96	3.96	3.96	4.18	4.19	4.19	4.20	4.20	4.44	4.44	4.45	4.45	4.45			
122°F (50°C)	TC	22629	22659	22684	22685	22715	23993	24021	24045	24049	24078	25426	25459	25487	25492	25521	26958	26987	27017	27021	27054			
	S/T	0.43	0.51	0.58	0.58	0.66	0.46	0.54	0.61	0.61	0.70	0.49	0.57	0.65	0.65	0.74	0.51	0.60	0.69	0.69	0.78			
	PI	3.09	3.09	3.09	3.10	3.10	3.27	3.28	3.28	3.28	3.29	3.47	3.47	3.48	3.48	3.48	3.68	3.68	3.69	3.69	3.69			

S/T:Sensible Cooling Capacity Ratio

PI:Power Input(kW)

60MPHP-HH-SYS-B Expanded Cooling @ 1,359 CFM

CFM	OD DB (°F)	ID WB	60.8°F (16.0°C)					64.4°F (18.0°C)					67°F (19.4°C)					71.6°F (22.0°C)				
			ID DB					ID DB					ID DB					ID DB				
			73.4°F	77.0°F	80.0°F	80.6°F	84.2°F	73.4°F	77.0°F	80.0°F	80.6°F	84.2°F	73.4°F	77.0°F	80.0°F	80.6°F	84.2°F	73.4°F	77.0°F	80.0°F	80.6°F	84.2°F
23.0°C	25.0°C	26.7°C	27.0°C	29.0°C	23.0°C	25.0°C	26.7°C	27.0°C	29.0°C	23.0°C	25.0°C	26.7°C	27.0°C	29.0°C	23.0°C	25.0°C	26.7°C	27.0°C	29.0°C			
1359	50°F (10°C)	TC	38254	38305	38346	38348	38400	40559	40607	40647	40655	40703	42982	43038	43086	43094	43142	45572	45621	45671	45678	45735
		S/T	0.41	0.48	0.54	0.54	0.62	0.43	0.50	0.57	0.57	0.65	0.46	0.53	0.61	0.61	0.69	0.48	0.57	0.64	0.64	0.73
		PI	2.38	2.38	2.38	2.38	2.39	2.52	2.52	2.53	2.53	2.53	2.67	2.67	2.68	2.68	2.68	2.83	2.83	2.84	2.84	2.84
	59°F (15°C)	TC	38064	38115	38156	38158	38209	40357	40405	40445	40453	40501	42769	42824	42872	42880	42928	45345	45395	45444	45451	45508
		S/T	0.41	0.48	0.54	0.54	0.62	0.43	0.51	0.58	0.58	0.66	0.46	0.54	0.61	0.61	0.70	0.49	0.57	0.65	0.65	0.74
		PI	2.39	2.39	2.40	2.40	2.40	2.54	2.54	2.54	2.54	2.54	2.69	2.69	2.69	2.69	2.70	2.85	2.85	2.85	2.86	2.86
	68°F (20°C)	TC	37873	37924	37965	37967	38018	40156	40203	40243	40251	40299	42555	42610	42658	42666	42713	45119	45168	45217	45224	45281
		S/T	0.42	0.49	0.56	0.56	0.64	0.44	0.52	0.59	0.59	0.67	0.47	0.55	0.63	0.63	0.71	0.50	0.59	0.66	0.66	0.76
		PI	2.41	2.41	2.41	2.41	2.41	2.55	2.55	2.56	2.56	2.56	2.70	2.71	2.71	2.71	2.71	2.87	2.87	2.87	2.87	2.88
	77°F (25°C)	TC	37683	37734	37775	37776	37827	39954	40002	40041	40049	40097	42341	42396	42444	42451	42499	44893	44941	44990	44997	45053
		S/T	0.42	0.50	0.57	0.57	0.64	0.45	0.53	0.60	0.60	0.68	0.48	0.56	0.64	0.64	0.72	0.51	0.59	0.67	0.67	0.77
		PI	2.42	2.42	2.43	2.43	2.43	2.57	2.57	2.57	2.57	2.57	2.72	2.72	2.73	2.73	2.73	2.88	2.89	2.89	2.89	2.89
	82°F (27.8°C)	TC	38020	38071	38112	38114	38165	40311	40359	40399	40407	40455	42719	42775	42822	42830	42878	45293	45342	45392	45399	45455
		S/T	0.43	0.50	0.57	0.57	0.65	0.46	0.53	0.61	0.61	0.69	0.48	0.57	0.64	0.64	0.73	0.51	0.60	0.68	0.68	0.78
		PI	2.71	2.72	2.72	2.72	2.72	2.88	2.88	2.88	2.88	2.89	3.05	3.05	3.06	3.06	3.06	3.23	3.24	3.24	3.24	3.24
	86°F (30°C)	TC	38847	38899	38941	38942	38995	41188	41236	41277	41285	41334	43648	43705	43754	43762	43811	46278	46329	46379	46386	46444
		S/T	0.43	0.51	0.58	0.58	0.66	0.46	0.54	0.61	0.61	0.70	0.49	0.57	0.65	0.65	0.74	0.52	0.61	0.69	0.69	0.79
		PI	3.31	3.31	3.32	3.32	3.32	3.51	3.51	3.51	3.52	3.52	3.72	3.72	3.73	3.73	3.73	3.94	3.95	3.95	3.95	3.95
	95°F (35°C)	TC	40707	40762	40806	40807	40862	43160	43211	43254	43262	43314	45739	45798	45849	45858	45909	48495	48547	48600	48608	48668
		S/T	0.43	0.51	0.58	0.58	0.66	0.46	0.54	0.61	0.61	0.70	0.49	0.57	0.65	0.65	0.74	0.52	0.61	0.69	0.69	0.79
		PI	4.65	4.65	4.66	4.66	4.66	4.93	4.93	4.94	4.94	4.94	5.22	5.23	5.23	5.23	5.24	5.54	5.54	5.55	5.55	5.56
	104°F (40°C)	TC	38247	38299	38340	38342	38394	40552	40600	40641	40649	40697	42975	43031	43079	43087	43135	45565	45614	45664	45671	45728
		S/T	0.45	0.52	0.59	0.59	0.68	0.47	0.55	0.63	0.63	0.72	0.50	0.59	0.67	0.67	0.76	0.53	0.62	0.71	0.71	0.81
		PI	4.65	4.66	4.66	4.66	4.67	4.93	4.94	4.94	4.94	4.95	5.23	5.23	5.24	5.24	5.25	5.54	5.55	5.55	5.55	5.56
110°F (43°C)	TC	36772	36821	36861	36863	36912	38988	39034	39073	39080	39127	41317	41371	41417	41425	41471	43807	43854	43902	43909	43963	
	S/T	0.46	0.54	0.62	0.62	0.70	0.49	0.57	0.65	0.65	0.74	0.52	0.61	0.69	0.69	0.79	0.55	0.65	0.73	0.73	0.84	
	PI	4.65	4.66	4.67	4.67	4.67	4.94	4.94	4.95	4.95	4.95	5.23	5.24	5.24	5.24	5.25	5.55	5.55	5.56	5.56	5.57	
115°F (46°C)	TC	31758	31801	31835	31837	31879	33672	33712	33745	33752	33792	35684	35730	35770	35777	35816	37834	37875	37916	37922	37969	
	S/T	0.47	0.55	0.62	0.62	0.71	0.50	0.58	0.66	0.66	0.75	0.53	0.62	0.70	0.70	0.80	0.56	0.65	0.74	0.74	0.85	
	PI	4.13	4.13	4.14	4.14	4.14	4.37	4.38	4.38	4.39	4.39	4.64	4.64	4.65	4.65	4.65	4.92	4.92	4.93	4.93	4.93	
122°F (50°C)	TC	25073	25107	25134	25135	25169	26584	26616	26642	26647	26679	28173	28209	28241	28246	28277	29870	29902	29935	29940	29977	
	S/T	0.48	0.56	0.64	0.64	0.73	0.51	0.60	0.68	0.68	0.77	0.54	0.63	0.72	0.72	0.82	0.57	0.67	0.76	0.76	0.87	
	PI	3.42	3.43	3.43	3.43	3.43	3.63	3.63	3.63	3.64	3.64	3.84	3.85	3.85	3.85	3.86	4.08	4.08	4.08	4.08	4.09	

S/T:Sensible Cooling Capacity Ratio

PI:Power Input(kW)

60MPHP-HH-SYS-B Expanded Cooling @ 1,582 CFM

CFM	OD DB (°F)	ID WB	60.8°F (16.0°C)					64.4°F (18.0°C)					67°F (19.4°C)					71.6°F (22.0°C)				
			ID DB					ID DB					ID DB					ID DB				
			73.4°F	77.0°F	80.0°F	80.6°F	84.2°F	73.4°F	77.0°F	80.0°F	80.6°F	84.2°F	73.4°F	77.0°F	80.0°F	80.6°F	84.2°F	73.4°F	77.0°F	80.0°F	80.6°F	84.2°F
23.0°C	25.0°C	26.7°C	27.0°C	29.0°C	23.0°C	25.0°C	26.7°C	27.0°C	29.0°C	23.0°C	25.0°C	26.7°C	27.0°C	29.0°C	23.0°C	25.0°C	26.7°C	27.0°C	29.0°C			
1582	50°F (10°C)	TC	42386	42443	42489	42491	42548	44940	44994	45038	45047	45100	47625	47687	47740	47749	47802	50495	50550	50605	50613	50676
		S/T	0.45	0.53	0.60	0.60	0.68	0.48	0.56	0.64	0.64	0.72	0.51	0.59	0.67	0.67	0.77	0.54	0.63	0.71	0.71	0.81
		PI	2.63	2.64	2.64	2.64	2.64	2.79	2.80	2.80	2.80	2.80	2.96	2.96	2.97	2.97	2.97	3.14	3.14	3.14	3.14	3.15
	59°F (15°C)	TC	42175	42232	42278	42279	42336	44717	44770	44814	44823	44876	47389	47450	47503	47512	47565	50244	50298	50353	50361	50424
		S/T	0.45	0.53	0.60	0.60	0.69	0.48	0.56	0.64	0.64	0.73	0.51	0.60	0.68	0.68	0.77	0.54	0.63	0.72	0.72	0.82
		PI	2.65	2.65	2.66	2.66	2.66	2.81	2.81	2.82	2.82	2.82	2.98	2.98	2.98	2.98	2.99	3.16	3.16	3.16	3.16	3.17
	68°F (20°C)	TC	41965	42021	42066	42068	42125	44494	44546	44590	44599	44652	47152	47213	47266	47275	47327	49993	50047	50102	50109	50172
		S/T	0.46	0.54	0.62	0.62	0.71	0.49	0.58	0.66	0.66	0.75	0.52	0.61	0.69	0.70	0.79	0.55	0.65	0.74	0.74	0.84
		PI	2.67	2.67	2.67	2.67	2.68	2.83	2.83	2.83	2.83	2.84	2.99	3.00	3.00	3.00	3.01	3.18	3.18	3.18	3.18	3.19
	77°F (25°C)	TC	41754	41810	41855	41857	41914	44270	44323	44367	44375	44428	46915	46976	47028	47037	47090	49742	49796	49850	49858	49920
		S/T	0.47	0.55	0.63	0.63	0.71	0.50	0.58	0.66	0.66	0.76	0.53	0.62	0.70	0.70	0.80	0.56	0.66	0.75	0.75	0.85
		PI	2.68	2.68	2.69	2.69	2.69	2.84	2.85	2.85	2.85	2.85	3.01	3.02	3.02	3.02	3.02	3.19	3.20	3.20	3.20	3.21
	82°F (27.8°C)	TC	42127	42183	42229	42231	42288	44665	44718	44763	44771	44825	47334	47395	47448	47457	47510	50186	50241	50295	50303	50366
		S/T	0.48	0.56	0.63	0.63	0.72	0.50	0.59	0.67	0.67	0.77	0.53	0.63	0.71	0.71	0.81	0.57	0.67	0.76	0.76	0.86
		PI	3.01	3.01	3.01	3.01	3.02	3.19	3.19	3.19	3.19	3.20	3.38	3.38	3.39	3.39	3.39	3.58	3.59	3.59	3.59	3.59
	86°F (30°C)	TC	43043	43101	43147	43149	43207	45637	45691	45736	45745	45799	48363	48426	48480	48489	48543	51277	51333	51389	51397	51461
		S/T	0.48	0.57	0.64	0.64	0.73	0.51	0.60	0.68	0.68	0.78	0.54	0.64	0.72	0.72	0.82	0.57	0.67	0.77	0.77	0.87
		PI	3.67	3.67	3.67	3.67	3.68	3.89	3.89	3.89	3.90	3.90	4.12	4.12	4.13	4.13	4.13	4.37	4.37	4.38	4.38	4.38
	95°F (35°C)	TC	45104	45165	45214	45216	45277	47822	47879	47926	47936	47993	50680	50745	50802	50811	50868	53733	53792	53850	53858	53926
		S/T	0.48	0.57	0.64	0.64	0.73	0.51	0.60	0.68	0.68	0.78	0.54	0.64	0.72	0.72	0.82	0.57	0.67	0.77	0.77	0.87
		PI	5.15	5.16	5.16	5.16	5.17	5.46	5.47	5.47	5.47	5.48	5.78	5.79	5.80	5.80	5.81	6.13	6.14	6.15	6.15	6.16
	104°F (40°C)	TC	42379	42436	42482	42484	42541	44933	44986	45031	45040	45093	47618	47679	47733	47741	47795	50487	50542	50597	50604	50667
		S/T	0.49	0.58	0.66	0.66	0.75	0.52	0.61	0.70	0.70	0.80	0.56	0.65	0.74	0.74	0.84	0.59	0.69	0.78	0.78	0.89
		PI	5.15	5.16	5.17	5.17	5.17	5.46	5.47	5.48	5.48	5.48	5.79	5.80	5.81	5.81	5.81	6.14	6.15	6.15	6.15	6.16
110°F (43°C)	TC	40744	40799	40843	40845	40900	43199	43251	43293	43302	43353	45780	45840	45891	45899	45951	48539	48591	48644	48652	48713	
	S/T	0.51	0.60	0.68	0.68	0.78	0.54	0.64	0.72	0.72	0.83	0.58	0.68	0.77	0.77	0.87	0.61	0.72	0.81	0.81	0.93	
	PI	5.16	5.16	5.17	5.17	5.18	5.47	5.48	5.48	5.48	5.49	5.80	5.80	5.81	5.81	5.82	6.14	6.15	6.16	6.16	6.17	
115°F (46°C)	TC	35189	35236	35274	35276	35323	37309	37354	37390	37398	37442	39538	39590	39634	39641	39686	41921	41966	42012	42018	42071	
	S/T	0.52	0.61	0.69	0.69	0.79	0.55	0.64	0.73	0.73	0.83	0.58	0.68	0.78	0.78	0.88	0.62	0.72	0.82	0.82	0.94	
	PI	4.57	4.58	4.58	4.58	4.59	4.85	4.85	4.86	4.86	4.86	5.14	5.14	5.15	5.15	5.16	5.45	5.45	5.46	5.46	5.47	
122°F (50°C)	TC	27782	27819	27849	27850	27888	29456	29491	29520	29526	29561	31216	31256	31291	31297	31332	33097	33133	33169	33174	33215	
	S/T	0.53	0.62	0.71	0.71	0.81	0.56	0.66	0.75	0.75	0.85	0.60	0.70	0.79	0.79	0.91	0.63	0.74	0.84	0.84	0.96	
	PI	3.79	3.80	3.80	3.80	3.80	4.02	4.02	4.03	4.03	4.03	4.26	4.26	4.27	4.27	4.27	4.52	4.52	4.53	4.53	4.53	

S/T:Sensible Cooling Capacity Ratio

PI:Power Input(kW)

60MPHP-HH-SYS-B Expanded Cooling @ 1,806 CFM

CFM	OD DB (°F)	ID WB	60.8°F (16.0°C)					64.4°F (18.0°C)					67°F (19.4°C)					71.6°F (22.0°C)				
			ID DB					ID DB					ID DB					ID DB				
			73.4°F	77.0°F	80.0°F	80.6°F	84.2°F	73.4°F	77.0°F	80.0°F	80.6°F	84.2°F	73.4°F	77.0°F	80.0°F	80.6°F	84.2°F	73.4°F	77.0°F	80.0°F	80.6°F	84.2°F
23.0°C	25.0°C	26.7°C	27.0°C	29.0°C	23.0°C	25.0°C	26.7°C	27.0°C	29.0°C	23.0°C	25.0°C	26.7°C	27.0°C	29.0°C	23.0°C	25.0°C	26.7°C	27.0°C	29.0°C			
1806	50°F (10°C)	TC	46965	47028	47078	47081	47144	49795	49854	49903	49913	49972	52770	52838	52897	52907	52966	55949	56010	56071	56080	56150
		S/T	0.50	0.58	0.66	0.66	0.76	0.53	0.62	0.70	0.70	0.80	0.56	0.66	0.75	0.75	0.85	0.59	0.70	0.79	0.79	0.90
		PI	2.92	2.92	2.93	2.93	2.93	3.09	3.10	3.10	3.10	3.10	3.28	3.28	3.29	3.29	3.29	3.48	3.48	3.48	3.48	3.49
	59°F (15°C)	TC	46731	46794	46844	46847	46910	49547	49606	49655	49665	49724	52508	52576	52634	52644	52703	55671	55732	55793	55801	55871
		S/T	0.50	0.59	0.67	0.67	0.76	0.53	0.62	0.71	0.71	0.81	0.56	0.66	0.75	0.75	0.86	0.60	0.70	0.80	0.80	0.91
		PI	2.94	2.94	2.94	2.94	2.95	3.11	3.12	3.12	3.12	3.12	3.30	3.30	3.31	3.31	3.31	3.50	3.50	3.50	3.51	3.51
	68°F (20°C)	TC	46498	46560	46610	46613	46675	49300	49358	49407	49417	49476	52245	52313	52372	52381	52440	55393	55453	55514	55522	55592
		S/T	0.51	0.60	0.69	0.69	0.78	0.54	0.64	0.73	0.73	0.83	0.58	0.68	0.77	0.77	0.88	0.61	0.72	0.82	0.82	0.93
		PI	2.95	2.96	2.96	2.96	2.96	3.13	3.13	3.14	3.14	3.14	3.32	3.32	3.33	3.33	3.33	3.52	3.52	3.53	3.53	3.53
	77°F (25°C)	TC	46264	46327	46377	46379	46441	49053	49111	49159	49169	49227	51983	52051	52109	52118	52177	55115	55175	55235	55244	55313
		S/T	0.52	0.61	0.69	0.69	0.79	0.55	0.65	0.74	0.74	0.84	0.59	0.69	0.78	0.78	0.89	0.62	0.73	0.83	0.83	0.94
		PI	2.97	2.97	2.98	2.98	2.98	3.15	3.15	3.16	3.16	3.16	3.34	3.34	3.35	3.35	3.35	3.54	3.54	3.55	3.55	3.55
	82°F (27.8°C)	TC	46677	46740	46791	46793	46856	49490	49549	49598	49608	49667	52447	52515	52574	52584	52642	55607	55668	55728	55737	55806
		S/T	0.53	0.62	0.70	0.70	0.80	0.56	0.66	0.75	0.75	0.85	0.59	0.70	0.79	0.79	0.90	0.63	0.74	0.84	0.84	0.95
		PI	3.33	3.34	3.34	3.34	3.34	3.53	3.54	3.54	3.54	3.54	3.74	3.75	3.75	3.75	3.76	3.97	3.97	3.98	3.98	3.98
	86°F (30°C)	TC	47693	47757	47808	47810	47875	50567	50627	50677	50687	50747	53588	53657	53717	53727	53787	56817	56878	56940	56949	57020
		S/T	0.53	0.63	0.71	0.71	0.81	0.57	0.66	0.75	0.75	0.86	0.60	0.70	0.80	0.80	0.91	0.64	0.75	0.85	0.85	0.97
		PI	4.06	4.07	4.07	4.07	4.08	4.31	4.31	4.32	4.32	4.32	4.56	4.57	4.57	4.58	4.58	4.84	4.84	4.85	4.85	4.86
	95°F (35°C)	TC	49977	50044	50098	50100	50167	52988	53051	53104	53114	53177	56154	56227	56290	56300	56363	59538	59602	59667	59676	59751
		S/T	0.53	0.63	0.71	0.71	0.81	0.57	0.66	0.75	0.75	0.86	0.60	0.70	0.80	0.80	0.91	0.64	0.75	0.85	0.85	0.97
		PI	5.70	5.71	5.72	5.72	5.73	6.05	6.06	6.06	6.06	6.07	6.41	6.42	6.43	6.43	6.43	6.80	6.80	6.81	6.81	6.82
	104°F (40°C)	TC	46957	47020	47071	47073	47136	49787	49846	49895	49905	49964	52761	52830	52889	52899	52958	55940	56001	56062	56071	56141
		S/T	0.55	0.64	0.73	0.73	0.83	0.58	0.68	0.77	0.77	0.88	0.62	0.72	0.82	0.82	0.93	0.65	0.76	0.87	0.87	0.99
		PI	5.71	5.72	5.72	5.73	5.73	6.06	6.06	6.07	6.07	6.08	6.42	6.43	6.43	6.43	6.44	6.80	6.81	6.82	6.82	6.83
110°F (43°C)	TC	45145	45206	45255	45257	45318	47866	47923	47970	47979	48036	50726	50792	50848	50858	50914	53782	53841	53899	53907	53975	
	S/T	0.57	0.67	0.76	0.76	0.86	0.60	0.71	0.80	0.80	0.91	0.64	0.75	0.85	0.85	0.97	0.68	0.79	0.90	0.90	1.00	
	PI	5.72	5.72	5.73	5.73	5.74	6.06	6.07	6.07	6.07	6.08	6.42	6.43	6.44	6.44	6.45	6.81	6.82	6.82	6.82	6.83	
115°F (46°C)	TC	38990	39042	39084	39086	39139	41340	41389	41430	41438	41487	43809	43866	43915	43923	43972	46449	46500	46550	46557	46615	
	S/T	0.57	0.67	0.77	0.77	0.87	0.61	0.71	0.81	0.81	0.92	0.65	0.76	0.86	0.86	0.98	0.68	0.80	0.91	0.91	1.00	
	PI	5.07	5.07	5.08	5.08	5.09	5.37	5.38	5.38	5.38	5.39	5.69	5.70	5.71	5.71	5.71	6.03	6.04	6.05	6.05	6.06	
122°F (50°C)	TC	30783	30824	30857	30859	30900	32638	32677	32709	32715	32754	34588	34633	34671	34678	34717	36672	36712	36752	36757	36803	
	S/T	0.59	0.69	0.78	0.78	0.89	0.62	0.73	0.83	0.83	0.95	0.66	0.77	0.88	0.88	1.00	0.70	0.82	0.93	0.93	1.00	
	PI	4.20	4.21	4.21	4.21	4.22	4.45	4.46	4.46	4.46	4.47	4.72	4.73	4.73	4.73	4.74	5.00	5.01	5.01	5.02	5.02	

S/T:Sensible Cooling Capacity Ratio

PI:Power Input(kW)

60MPHP-HH-SYS-B Expanded Heating @ 1,135 CFM

CFM	HEATING PERFORMANCE AT INDOOR DRY BULB TEMPERATURE										
	OD DB (°F)	TC : Total Heating Capacity(BTU/hr)					PI : Power Input(kW)				
		Indoor Conditions (DB °F)					Indoor Conditions (DB °F)				
		60.8°F	68°F	70°F	71.6°F	75.2°F	60.8°F	68°F	70°F	71.6°F	75.2°F
1135	-22°F	22386	21938	21829	21718	21522	5.94	5.99	6.00	6.01	6.04
	-13°F	31369	30741	30588	29261	28998	6.97	7.03	7.04	7.06	7.08
	-4°F	35217	34512	34340	32851	32555	7.19	7.25	7.26	7.28	7.31
	0°F	37734	36980	36795	35200	34883	7.53	7.59	7.61	7.62	7.65
	5°F	40882	40064	39864	38135	37792	7.95	8.02	8.03	8.05	8.08
	14°F	43240	42375	42163	40335	39972	7.91	7.97	7.99	8.01	8.04
	17°F	44026	43145	42929	41068	40699	7.90	7.96	7.98	7.99	8.03
	22°F	43133	42271	42059	40236	39874	7.39	7.45	7.47	7.48	7.51
	27°F	42241	41397	41190	39404	39049	6.89	6.95	6.96	6.98	7.00
	32°F	41349	40522	40320	38572	38224	6.39	6.44	6.45	6.47	6.49
	35°F	40814	39998	39798	38072	37730	6.09	6.14	6.15	6.16	6.19
	37°F	42119	41277	41071	39290	38936	6.03	6.08	6.09	6.10	6.13
	42°F	45383	44475	44253	42334	41953	5.88	5.93	5.94	5.95	5.98
	44.6°F	46688	45755	45526	43552	43160	5.82	5.87	5.88	5.89	5.92
	47°F	48646	47673	47435	45379	44970	5.73	5.78	5.79	5.80	5.83
	52°F	48190	47226	46990	44953	44548	5.24	5.29	5.30	5.31	5.33
	57°F	47734	46779	46545	44527	44127	4.75	4.79	4.80	4.81	4.83
59°F	47552	46600	46367	44357	43958	4.56	4.60	4.60	4.61	4.63	
62°F	47278	46332	46101	44102	43705	4.26	4.30	4.31	4.32	4.33	
64.4°F	47095	46153	45923	43932	43536	4.07	4.10	4.11	4.12	4.13	

60MPHP-HH-SYS-B Expanded Heating @ 1,359 CFM

CFM	HEATING PERFORMANCE AT INDOOR DRY BULB TEMPERATURE										
	OD DB (°F)	TC : Total Heating Capacity(BTU/hr)					PI : Power Input(kW)				
		Indoor Conditions (DB °F)					Indoor Conditions (DB °F)				
		60.8°F	68°F	70°F	71.6°F	75.2°F	60.8°F	68°F	70°F	71.6°F	75.2°F
1359	-22°F	25295	24790	24666	24553	24332	6.00	6.05	6.06	6.08	6.10
	-13°F	34757	34062	33892	33082	32785	7.04	7.10	7.11	7.13	7.16
	-4°F	39021	38240	38049	37141	36807	7.26	7.32	7.34	7.35	7.38
	0°F	41811	40974	40769	39796	39438	7.61	7.67	7.68	7.70	7.73
	5°F	45298	44392	44170	43115	42727	8.03	8.10	8.11	8.13	8.16
	14°F	47910	46952	46718	45602	45192	7.99	8.06	8.07	8.09	8.12
	17°F	48781	47806	47567	46431	46013	7.98	8.04	8.06	8.07	8.11
	22°F	47793	46837	46603	45490	45081	7.47	7.53	7.54	7.56	7.59
	27°F	46804	45868	45639	44549	44148	6.96	7.02	7.03	7.05	7.07
	32°F	45816	44900	44675	43608	43216	6.45	6.51	6.52	6.53	6.56
	35°F	45223	44318	44097	43044	42656	6.15	6.20	6.21	6.22	6.25
	37°F	46669	45736	45507	44421	44021	6.09	6.14	6.15	6.16	6.19
	42°F	50285	49280	49033	47862	47432	5.94	5.99	6.00	6.01	6.04
	44.6°F	51732	50697	50444	49239	48796	5.88	5.93	5.94	5.95	5.98
	47°F	53901	52823	52559	51304	50843	5.79	5.84	5.85	5.86	5.89
	52°F	53396	52328	52066	50823	50366	5.30	5.34	5.35	5.36	5.38
	57°F	52890	51833	51573	50342	49889	4.80	4.84	4.85	4.86	4.88
	59°F	52688	51634	51376	50150	49698	4.60	4.64	4.65	4.66	4.68
62°F	52385	51337	51081	49861	49412	4.31	4.34	4.35	4.36	4.38	
64.4°F	52183	51139	50883	49668	49221	4.11	4.14	4.15	4.16	4.18	

60MPHP-HH-SYS-B Expanded Heating @ 1,582 CFM

CFM	HEATING PERFORMANCE AT INDOOR DRY BULB TEMPERATURE										
	OD DB (°F)	TC : Total Heating Capacity(BTU/hr)					PI : Power Input(kW)				
		Indoor Conditions (DB °F)					Indoor Conditions (DB °F)				
		60.8°F	68°F	70°F	71.6°F	75.2°F	60.8°F	68°F	70°F	71.6°F	75.2°F
1582	-22°F	28583	28011	27871	27760	27510	6.06	6.11	6.12	6.14	6.16
	-13°F	38512	37741	37553	37403	37066	7.11	7.17	7.18	7.20	7.23
	-4°F	43236	42371	42159	41991	41613	7.34	7.40	7.41	7.43	7.46
	0°F	46327	45401	45174	44993	44588	7.68	7.74	7.76	7.78	7.81
	5°F	50191	49187	48941	48745	48307	8.11	8.18	8.20	8.21	8.24
	14°F	53086	52024	51764	51557	51093	8.07	8.14	8.15	8.17	8.20
	17°F	54051	52970	52705	52494	52022	8.06	8.12	8.14	8.16	8.19
	22°F	52956	51897	51637	51430	50968	7.54	7.61	7.62	7.64	7.67
	27°F	51860	50823	50569	50367	49913	7.03	7.09	7.10	7.12	7.15
	32°F	50765	49750	49501	49303	48859	6.52	6.57	6.59	6.60	6.62
	35°F	50108	49106	48860	48665	48227	6.21	6.26	6.27	6.29	6.31
	37°F	51711	50676	50423	50221	49769	6.15	6.20	6.21	6.23	6.25
	42°F	55717	54603	54330	54113	53626	6.00	6.05	6.06	6.07	6.10
	44.6°F	57320	56174	55893	55669	55168	5.94	5.99	6.00	6.01	6.04
	47°F	59724	58529	58237	58004	57482	5.85	5.90	5.91	5.92	5.94
	52°F	59164	57981	57691	57460	56943	5.35	5.39	5.40	5.42	5.44
	57°F	58604	57432	57145	56916	56404	4.85	4.89	4.90	4.91	4.93
	59°F	58380	57212	56926	56698	56188	4.65	4.69	4.70	4.71	4.73
62°F	58044	56883	56598	56372	55865	4.35	4.39	4.40	4.40	4.42	
64.4°F	57820	56663	56380	56154	55649	4.15	4.19	4.19	4.20	4.22	

60MPHP-HH-SYS-B Expanded Heating @ 1,806 CFM

CFM	HEATING PERFORMANCE AT INDOOR DRY BULB TEMPERATURE										
	OD DB (°F)	TC : Total Heating Capacity(BTU/hr)					PI : Power Input(kW)				
		Indoor Conditions (DB °F)					Indoor Conditions (DB °F)				
		60.8°F	68°F	70°F	71.6°F	75.2°F	60.8°F	68°F	70°F	71.6°F	75.2°F
1806	-22°F	31671	31037	30882	30758	30482	6.12	6.17	6.19	6.20	6.22
	-13°F	42672	41818	41609	41443	41070	7.18	7.24	7.26	7.27	7.30
	-4°F	47907	46948	46714	46527	46108	7.41	7.47	7.49	7.50	7.53
	0°F	51331	50305	50053	49853	49404	7.76	7.82	7.84	7.85	7.89
	5°F	55613	54500	54228	54011	53525	8.20	8.26	8.28	8.29	8.33
	14°F	58820	57644	57356	57126	56612	8.15	8.22	8.24	8.25	8.29
	17°F	59890	58692	58398	58165	57641	8.14	8.20	8.22	8.24	8.27
	22°F	58676	57503	57215	56986	56473	7.62	7.68	7.70	7.71	7.74
	27°F	57462	56313	56032	55808	55305	7.10	7.16	7.17	7.19	7.22
	32°F	56249	55124	54848	54629	54137	6.59	6.64	6.65	6.67	6.69
	35°F	55521	54410	54138	53922	53436	6.27	6.33	6.34	6.35	6.38
	37°F	57296	56151	55870	55646	55145	6.21	6.26	6.28	6.29	6.31
	42°F	61736	60501	60199	59958	59418	6.06	6.11	6.12	6.13	6.16
	44.6°F	63512	62242	61930	61683	61127	6.00	6.05	6.06	6.07	6.10
	47°F	66176	64852	64528	64270	63691	5.91	5.96	5.97	5.98	6.00
	52°F	65555	64244	63923	63667	63094	5.40	5.45	5.46	5.47	5.49
	57°F	64934	63636	63317	63064	62497	4.90	4.94	4.95	4.96	4.98
	59°F	64686	63392	63075	62823	62258	4.70	4.74	4.75	4.76	4.77
62°F	64314	63027	62712	62462	61899	4.40	4.43	4.44	4.45	4.47	
64.4°F	64066	62784	62470	62220	61660	4.19	4.23	4.24	4.24	4.26	

Control Options

Thermostats

Part Number	Description
MMT4522-001	24V 2H/1C Programmable Thermostat with Occupancy Sensor Input and Standard Display.
MMT8532-002	24V 2H/1C Programmable Thermostat with Occupancy Sensor Input and Deluxe Display.
MMT8532OCC-1	24V 2H/1C Programmable Thermostat with Built-In Occupancy Sensor and Deluxe Display.
MMW-1	24V 2H/1C Non-Programmable Wireless Thermostat.

The MPHP-SYS includes a factory installed 24V control board, in the outdoor heat pump, and can be used with most standard 24V thermostats.



MMT4522-001



MMT8532-002



MMW-1



Wired Wall Controllers and IR Controller

Part Number	Description
SWC120LR	Standard wired wall controller with operation mode control, timer and fan speed functions.
WIFI-DWC120X2	Deluxe wired wall controller with WFI and app, with programmable weekly timer, auto-restart, child lock, Turbo function, follow me function and more. The WIFI-DWC120X2 also functions as a receiver for the MWRC remote controller.
MWRC2	Wireless infrared remote controller with timer, sleep function, follow me and turbo function. Internal functions, such as setting airflow, can be made with this remote controller, as well.



SWC120LR
Standard Wired
Wall Controller



WIFI-DWC120X2
WIFI Deluxe Wired

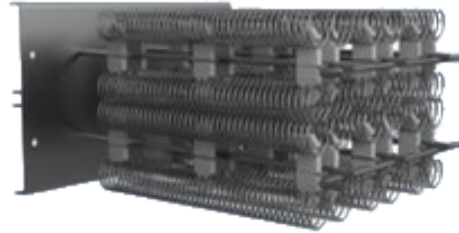


MWRC2
Wireless Remote

Unit Options

Field Install Electric Heater Kits

Part Number	Air Handler Model	Heater Size kW
EAH-03E(UL)	18MPHP	3
EAH-05E(UL)		5
EAH-08E(UL)		8
EAH-10E(UL)		10
EAH-05E(UL)	24MPHP	5
EAH-08E(UL)		8
EAH-10E(UL)		10
EAH-15E(UL)		15
EAH-05E(UL)	30MPHP	5
EAH-08E(UL)		8
EAH-10E(UL)		10
EAH-15E(UL)		15
EAH-05E(UL)	36MPHP	5
EAH-08E(UL)		8
EAH-10E(UL)		10
EAH-15E(UL)		15
EAH-20E(UL)		20
EAH-08E(UL)	42MPHP	8
EAH-10E(UL)		10
EAH-15E(UL)		15
EAH-20E(UL)	48MPHP	20
EAH-10E(UL)		10
EAH-15E(UL)	60MPHP	15
EAH-20E(UL)		20



Part Number	Qty Circuit Breakers	Qty Relays	Qty Power Cord Groups	Qty Power Cord Grounding Screws
EAH-03E(UL)	1	1	2	2
EAH-05E(UL)	1	1	2	2
EAH-08E(UL)	1	2	2	2
EAH-10E(UL)	1	2	2	2
EAH-15E(UL)	2	3	3	3
EAH-20E(UL)	2	4	3	3

Electric Heater Kits include Manual, 1 ea. Sealing Foam, 7 ea. Screws, 1 ea. Rubber Cap, Wiring

Diagram and Air Switch Label.

Wind Baffles

Design

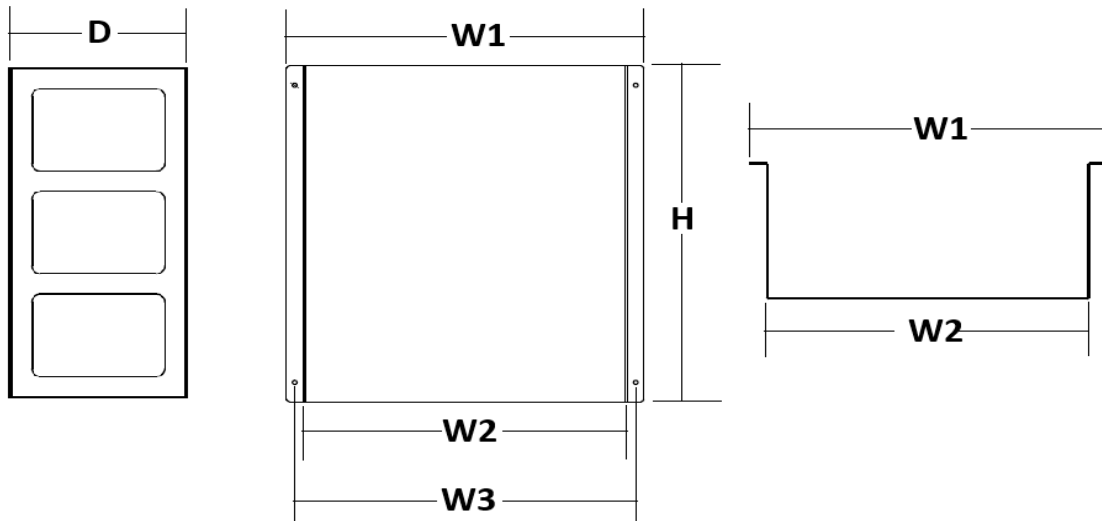
Wind Baffles are mounted to Outdoor Heat Pumps, utilizing existing holes for the Outdoor Grille Guard.

Materials

Heavy gauge steel construction, powder coated with an off white finish. Screws (4 ea.) included.

Packaging

Individually wrapped in master cartons, with built in pallets.



Model	Fits	H	W1	W2	W3	D
HWB-X4	HHS-18HD-B, HHS-24HD-B	20.59	19.87	18.39	19.18	7.87
HWB-X6	HHS-36HD-B, HHS-42HD-B, HHS-48HD-B	21.50	19.79	18.31	19.09	7.87
HWB-D	HHS-25HD-B, HHS-30HD-B	19.76	18.13	16.65	17.44	7.87
HWB-E	HHS-60HD-B	19.76	18.13	16.65	17.44	7.87





**33380 Zeiders Road, Suite 101
Menifee, CA 92584**

**Phone 888-741-9775
Fax 760-480-8904**

www.multimfg-usa.com