

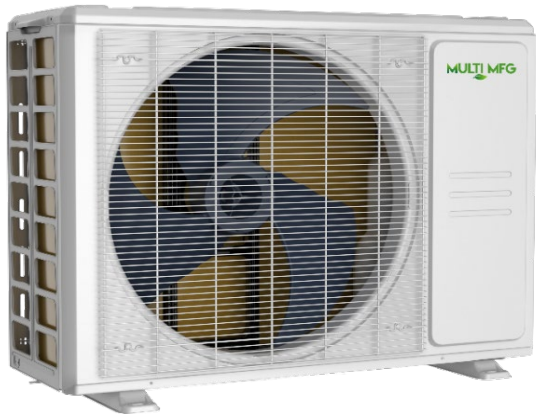


MUC-HE-B

High Efficiency

Wall Mount / Wall Recessed System

R454b Model



High Efficiency Inverter System

1.50 Ton - 3.00 Ton



R454b

The MUC-HE-B is an upflow air handler that can be installed on platform in a closet, hung on a closet wall or recessed in a wall between studs. This air handler is designed to match with the HES side discharge inverter high efficiency outdoor heat pump.

Typical installations for the MUC-HE-B include:

- Apartments
- Condominiums
- Independent Care Facilities
- Pre Manufactured Homes
- Single Family Home Additions
- Modular Buildings
- Student Housing
- Offices
- Stores



Features

Highly Efficient / High Performance

- Highly Efficient Inverter Compressor
- Air Handler Constant Torque EC Blower Motor, with Available ESP up to 0.80" WC
- Low Amp Draw DC motor in Outdoor HP

Quiet Operation, Inside and Outside

- Low Sone EC motor in MUC Air Handler
- Quiet Inverter Compressor in Outdoor Heat Pump, with low Sound Levels

Heating at Low Ambient Conditions

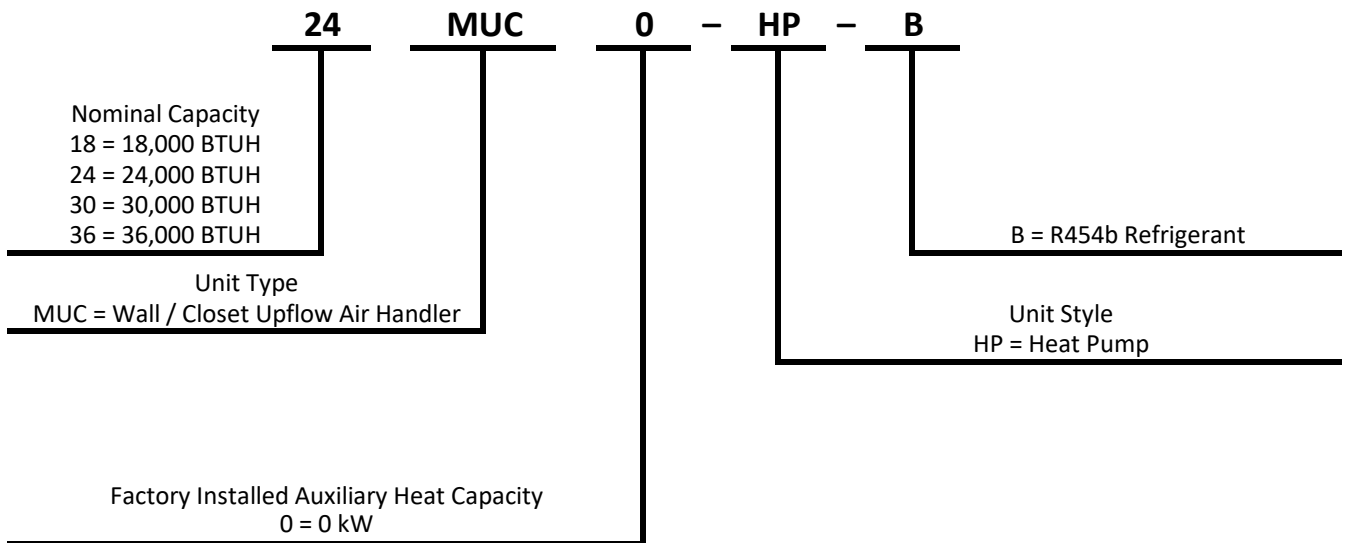
- Standard Base Pan Heaters
- Field Install Auxiliary Electric Strip Heat Kits

Design

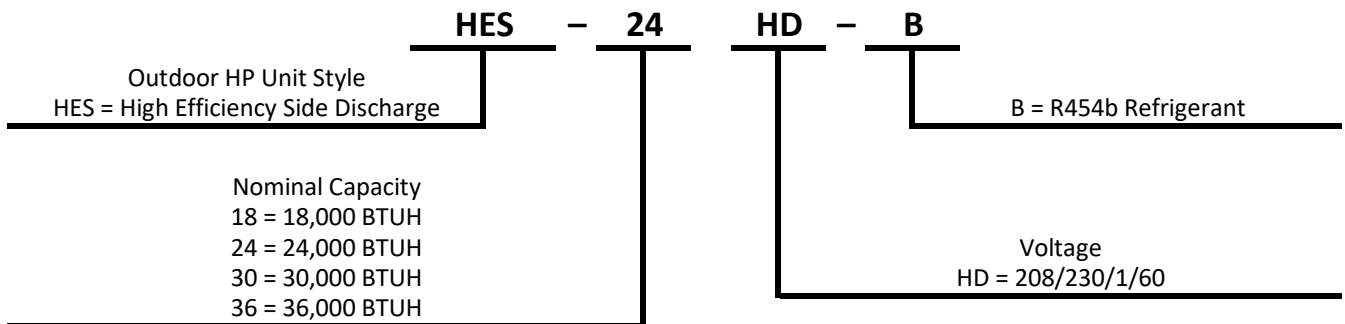
- Standard Front Return Air or Field Convertible to Bottom Return
- Automatic Restart Function
- 24V Control Board with High, Medium and Low Motor Speed Taps
- Indoor Unit can be wired to 115/1 or 208/230/1
- Liquid Line Service Port
- Pre-Coated Fins on Evaporator and Condenser Coils
- Crankcase Heater
- Compressor Time Delay
- Compressor Overload and Over Current Protection
- Environmentally Friendly R454b Refrigerant

Nomenclature

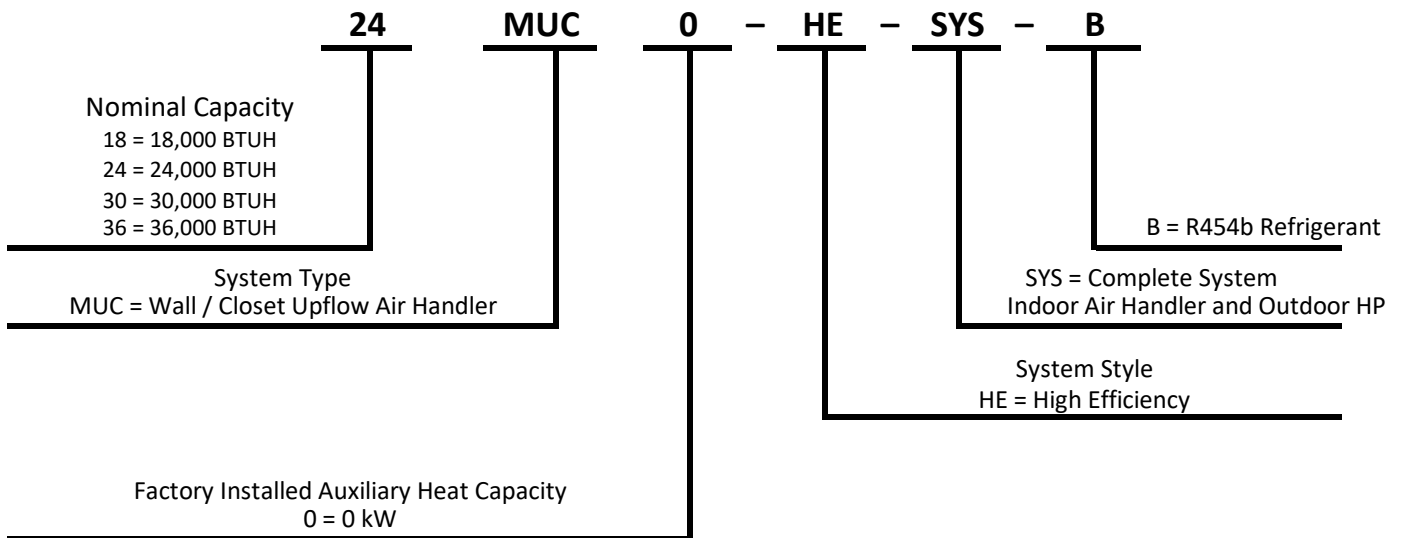
Indoor Unit



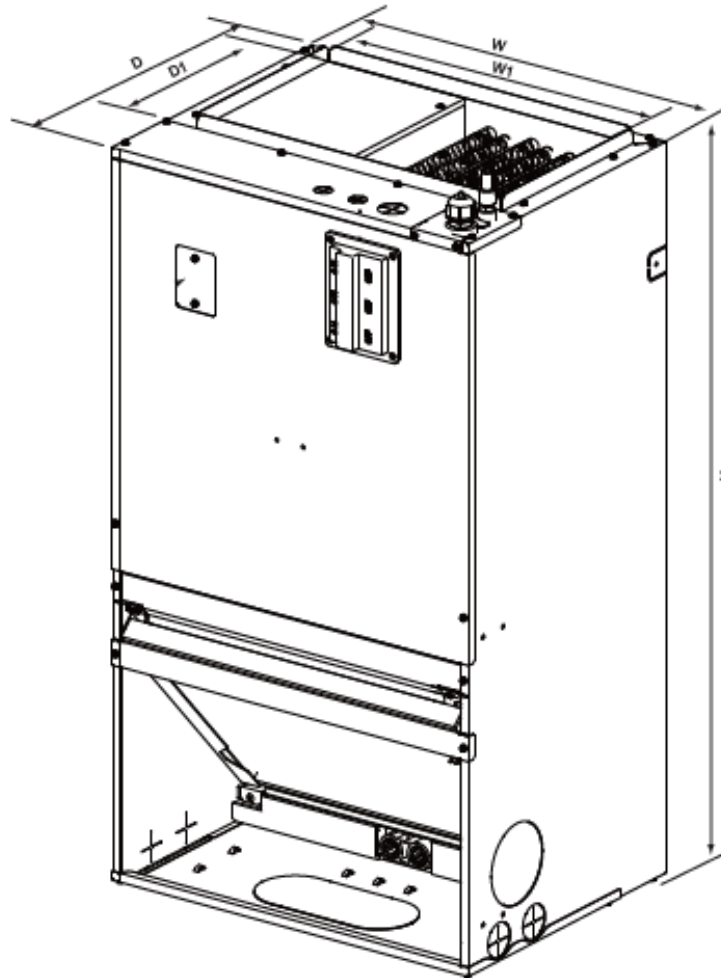
Outdoor Unit



System



Dimensional Data



Unit	Height (H)	Width (W)	Depth (D)	Supply Width (W1)	Supply Depth (D1)	Filter Size	Weight (lbs)
18MUC0-HP-B	36.5	20.3	15.7	17.5	10.5	14 x 18 x 1	89
24MUC0-HP-B	36.5	20.3	15.7	17.5	10.5	14 x 18 x 1	89
30MUC0-HP-B	40.8	22.0	19.0	18.8	9.3	20 x 20 x 1	109
36MUC0-HP-B	40.8	22.0	19.0	18.8	9.3	20 x 20 x 1	109

Dimensions shown are in Inches

Dimensional Data

Figure 1

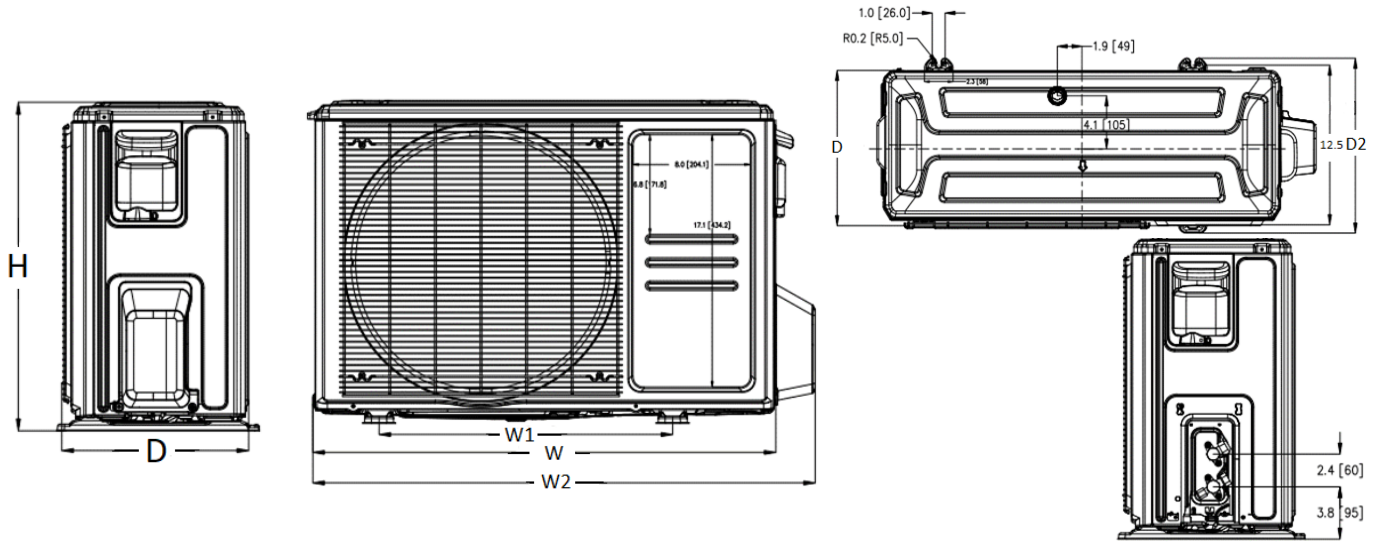
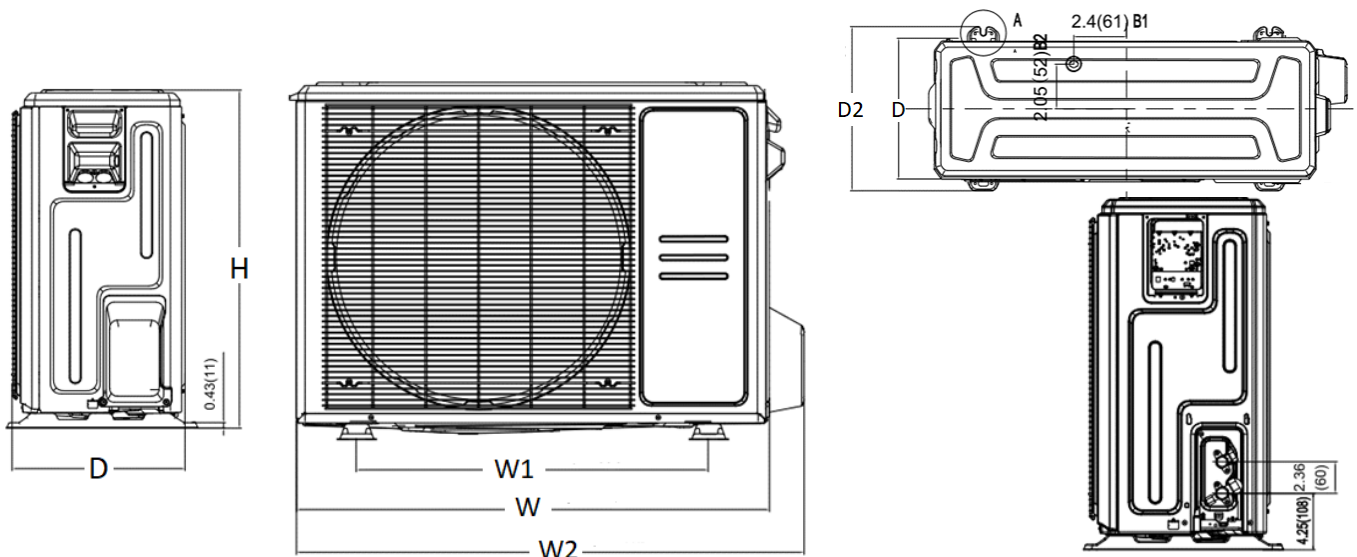


Figure 2

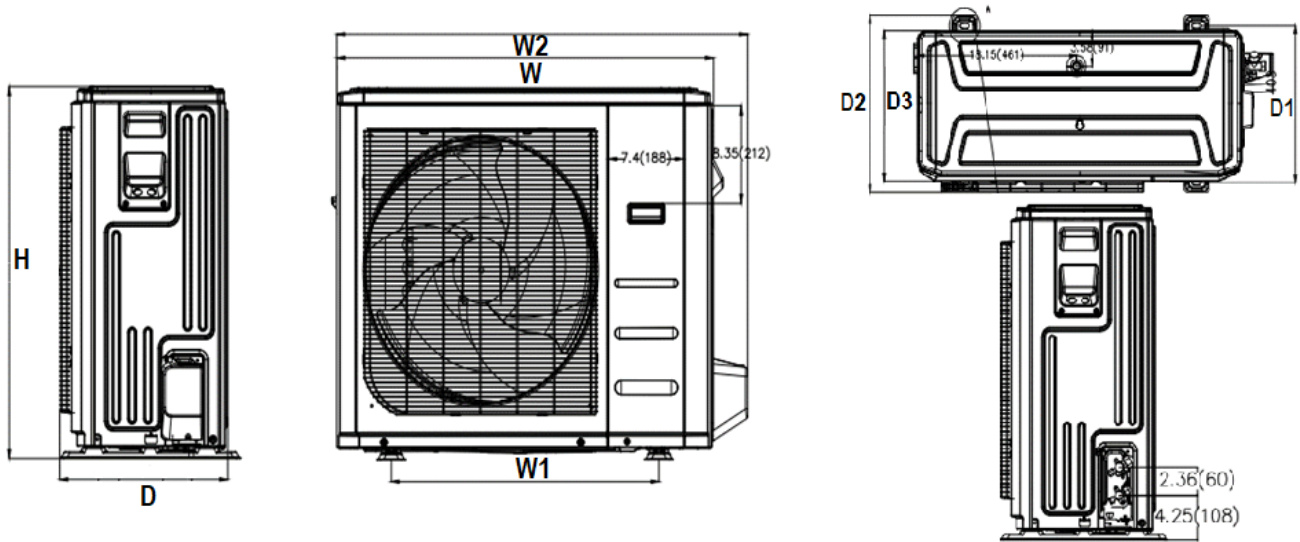


Unit	Figure	Unit Width (W)	Unit Width w/Elec (W2)	Unit Height (H)	Unit Depth (D)	Bracket Width (W1)	Bracket Depth (D2)	Weight (lbs)
HES-18HD-B	1	31.69	34.40	21.81	12.99	20.10	13.60	77
HES-24HD-B	2	35.04	37.60	26.50	13.46	26.10	14.95	101

Dimensions shown are in Inches

Dimensional Data

Figure 3



Unit	Figure	Unit Width (W)	Unit Width w/Elec (W2)	Unit Height (H)	Unit Depth (D)	Bracket Width (W1)	Bracket Depth (D2)	Weight (lbs)
HES-30HD-B	3	37.24	40.55	31.89	16.14	26.50	15.90	142
HES-36HD-B	3	37.24	40.55	31.89	16.14	26.50	15.90	153

Dimensions shown are in Inches



1.5 ton - 3.0 ton Heat Pump Air Handler

Wall-Mount Air Handler Blower Performance (CFM Dry coil without Filter or Electric Heat)

Model	Speed	External Static Pressure(in.w.c.)				
	Electrical	0	0.2	0.3	0.5	0.8
18MUC*	Turbo	625	625	625	625	625
	Watts	82.6	108.3	121.3	152.1	196.3
	High	584	584	584	584	584
	Watts	70.7	99.6	104.5	132.3	181.3
	Med-High	536	536	536	536	536
	Watts	59.4	78.8	92.5	121.3	166.2
	Low	494	494	494	494	494
	Watts	50.6	75.3	104.5	110.4	152.3
24MUC*	Turbo	833	833	833	833	833
	Watts	161	183	196	243	316
	High	768	768	768	768	768
	Watts	139.8	162	184	212.2	262.3
	Med-Low	702	702	702	702	702
	Watts	110.8	142.8	175.5	208.3	225.3
	Low	625	625	625	625	625
	Watts	82.6	108.3	121.3	152.1	196.3
30MUC*	Turbo	995	995	995	995	995
	Watts	131	183	200.5	245.2	341
	High	912	912	912	912	912
	Watts	99.6	152.4	172.8	206.7	300
	Med-Low	806	806	806	806	806
	Watts	76.6	118.8	134.1	175.7	256.2
	Low	706	706	706	706	706
	Watts	54.9	93.8	112.1	153.1	216.2
36MUC*	Turbo	1202	1202	1202	1202	1202
	Watts	181	259	279.4	337.3	441
	High	1083	1083	1083	1083	1083
	Watts	155.7	218.4	238.3	291.5	385
	Med-Low	971	971	971	971	971
	Watts	119.9	171.5	190.3	233.6	326
	Low	865	865	865	865	865
	Watts	88	135	152	196.4	277.5

MUC-HE-SYS-B

1.5 ton - 3.0 ton High Efficiency Systems

System Specifications

System Model			18MUC0-HE-SYS-B	24MUC0-HE-SYS-B	30MUC0-HE-SYS-B	36MUC0-HE-SYS-B
Indoor Model			18MUC0-HP-B	24MUC0-HP-B	30MUC0-HP-B	36MUC0-HP-B
Outdoor Model			HES-18HD-B	HES-24HD-B	HES-30HD-B	HES-36HD-B
Energy Star (Cold Climate Split HP)			No	Yes	No	Yes
Energy Star (Meets Peak Cooling Requirements)			Yes	No	Yes	No
Rated Cooling Capacity	BTU/H		18,000	24,000	30,000	36,000
Cooling Capacity Range (Minimum - Maximum)	BTU/H		5,900 ~ 20,600	7,200 ~ 27,000	10,100 ~ 34,400	11,800 ~ 39,000
SEER2			18.50	17.40	18.60	16.70
EER2			11.5	10.8	11.0	10.2
Rated Heating Capacity at 47°F	BTU/H		18,000	25,000	31,000	37,000
Rated Heating Capacity at 17°F	BTU/H		12,600	20,800	18,200	24,800
Rated Heating Capacity at 5°F	BTU/H		11,400	19,600	18,700	29,200
Rated Heating Capacity at -4°F	BTU/H		7,800	16,000	16,500	25,800
Rated Heating Capacity at -13°F	BTU/H		6,400	13,600	14,800	19,700
Rated Heating Capacity at -22°F	BTU/H		4,900	10,800	11,000	16,500
Heating Capacity Range (Minimum - Maximum)	BTU/H		3,900 ~ 19,600	7,000 ~ 32,200	6,500 ~ 31,900	6,900 ~ 41,000
HSPF2			9.4	10.4	8.7	9.3
COP at 47°F	W/W		3.6	3.8	3.5	3.3
Room Temperature	Cooling	°F	60 ~ 90	60 ~ 90	60 ~ 90	60 ~ 90
	Heating	°F	32 ~ 86	32 ~ 86	32 ~ 86	32 ~ 86
Operation Temperature	Cooling	°F	-13 ~ 122	-13 ~ 122	-13 ~ 122	-13 ~ 122
	Heating	°F	-13 ~ 75	-13 ~ 75	-13 ~ 75	-13 ~ 75



1.5 ton - 3.0 ton High Efficiency Heat Pump Outdoor Units

Electrical and Piping Data

Model		HES-18HD-B	HES-24HD-B	HES-30HD-B	HES-36HD-B
Power Supply	V/Hz/Ph	208/230/60/1			
Compressor	Type	Inverter			
Packaging	H x W x D	24.2 x 36.0 x 14.6	29.1 x 39.2 x 15.6	34.8 x 42.9 x 19.7	34.8 x 42.9 x 19.7
Packaged Weight	Lbs	84	109	152	164
Noise Level	dB(A)	55.0	60.0	60.0	63.0
Liquid - Suction	Inch	3/8 - 3/4	3/8 - 3/4	3/8 - 3/4	3/8 - 3/4
Max Lineset Length	Feet	98	164	164	246
Max Lineset Vertical Lift	Feet	66	82	82	98
Refrigerant		R454b	R454b	R454b	R454b
Refrigerant Precharge	Oz	51.15	74.08	91.71	116.4
Refrigerant Precharge	Feet	25	25	25	25
Additional Charge Per Foot	Oz	0.7	0.7	0.7	0.7
Design Pressure	Psi	550	550	550	550
Indoor Operating Range	Cooling DB Min / Max	60°F / 90°F	60°F / 90°F	60°F / 90°F	60°F / 90°F
	Heating DB Min / Max	32°F / 86°F	32°F / 86°F	32°F / 86°F	32°F / 86°F
Outdoor Operating Range	Cooling DB Min / Max	-13°F / 122°F	-13°F / 122°F	-13°F / 122°F	-13°F / 122°F
	Heating DB Min / Max	-13°F / 75°F	-13°F / 75°F	-13°F / 75°F	-13°F / 75°F

Outdoor Heat Pumps Only

Unit	V / PH	Oper Volts		Compressor	Fan	MCA	Max Fuse
		Max	Min	RLA	RLA		
HES-18HD-B	208/230/1	253	187	10.0	0.8	16.0	20.0
HES-24HD-B		253	187	14.0	1.0	19.0	20.0
HES-30HD-B		253	187	17.0	1.1	22.5	25.0
HES-36HD-B		253	187	17.5	1.5	24.0	30.0

MCA - Minimum Circuit Ampacity

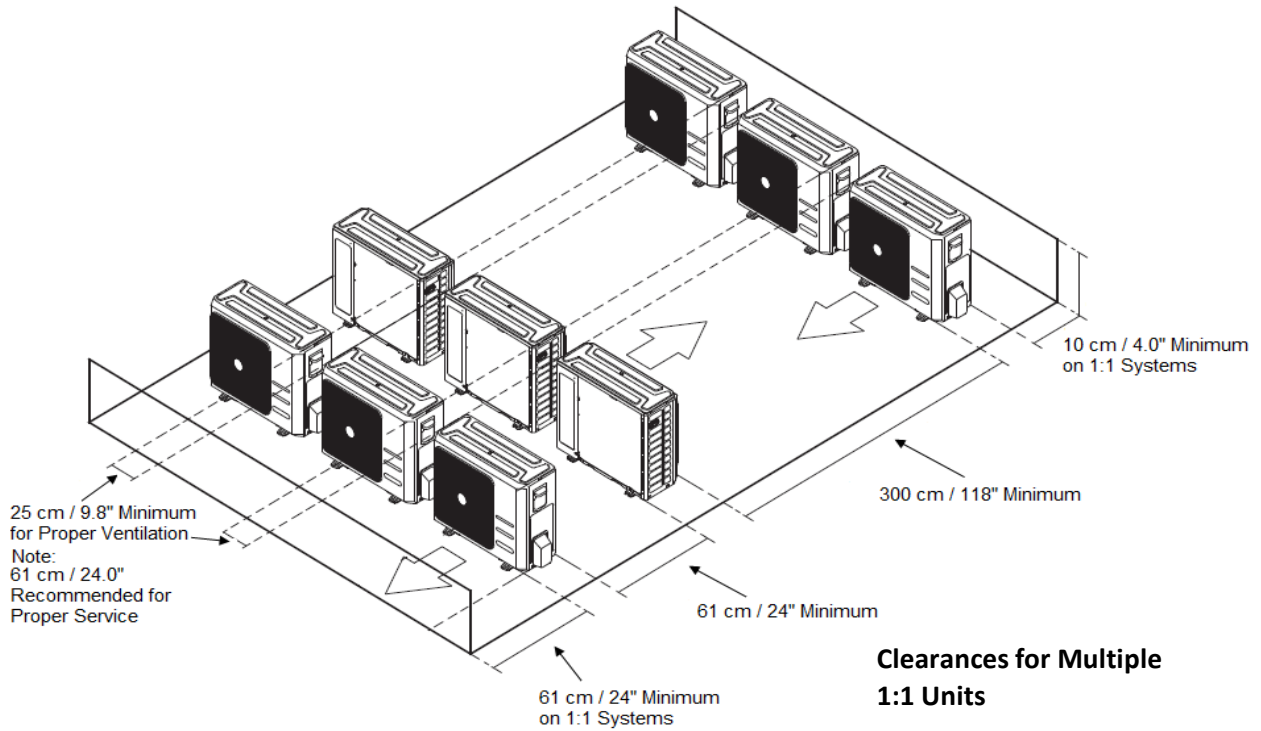
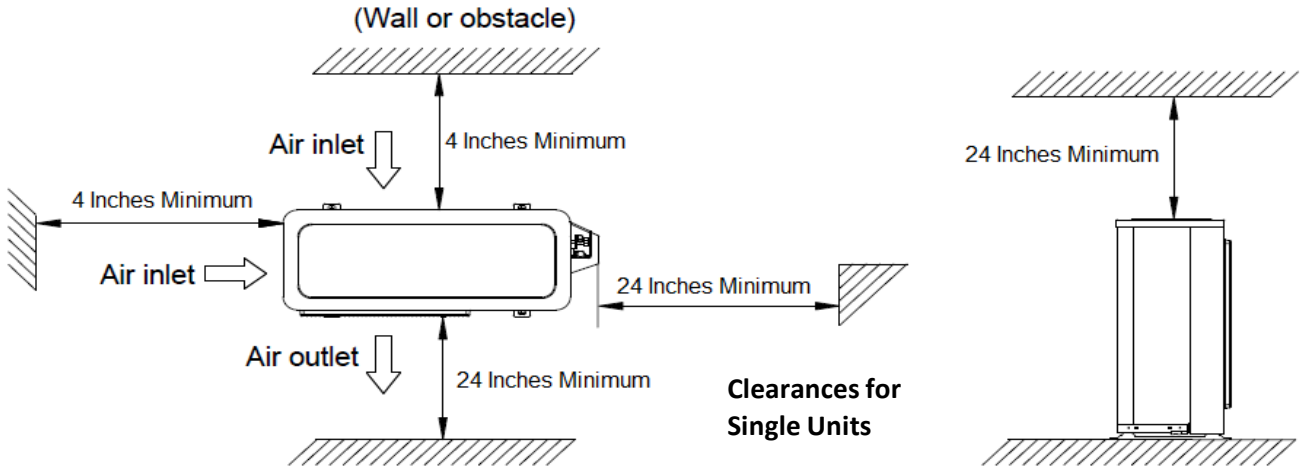
Outdoor Heat Pumps with Matching Indoor Units

Outdoor Heat Pump			Indoor Fan Coil				
Model	MCA	MOP	Model	MCA	Max Fuse	MCA	Max Fuse
	208V / 230V			115V		208V / 230V	
HES-18HD-B	16.0	20.0	18MUC0-HP-B	5.0	15.0	4.0	15.0
HES-24HD-B	19.0	20.0	24MUC0-HP-B	5.0	15.0	4.0	15.0
HES-30HD-B	22.5	25.0	30MUC0-HP-B	8.0	15.0	6.0	15.0
HES-36HD-B	24.0	30.0	36MUC0-HP-B	8.0	15.0	6.5	15.0

MCA - Minimum Circuit Ampacity

Clearances

HES Outdoor Units



MUC-HE-SYS-B

System Performance

High Efficiency Systems									
System	Indoor Fan Coil	Outdoor HP	SEER2	EER2	COP	HSPF2	BTU Cooling	BTU Heating	AHRI Reference Number
18MUC0-HE-SYS-B	18MUC0-HP-B	HES-18HD-B	18.50	11.5	3.6	9.4	18,000	18,000	216760040
24MUC0-HE-SYS-B	24MUC0-HP-B	HES-24HD-B	17.40	10.8	3.8	10.4	24,000	25,000	216760041
30MUC0-HE-SYS-B	30MUC0-HP-B	HES-30HD-B	18.60	11.0	3.5	8.7	30,000	31,000	216760042
36MUC0-HE-SYS-B	36MUC0-HP-B	HES-36HD-B	16.70	10.2	3.3	9.3	36,000	37,000	216760043

Air Handler Noise Level (dBA)

Air Handler	dBA High
18MUC0-HP-B	48.0
24MUC0-HP-B	51.0
30MUC0-HP-B	55.0
36MUC0-HP-B	55.0



Outdoor Heat Pump Noise Level

Heat Pump	dBA
HES-18HD-B	58.5
HES-24HD-B	59.0
HES-30HD-B	62.5
HES-36HD-B	64.0



18MUC0-HE-SYS-B Expanded Cooling @ 490 CFM

CFM	OD DB (°F)	ID WB ID DB	60.8°F (16.0°C)					64.4°F (18.0°C)					67°F (19.4°C)					71.6°F (22.0°C)				
			73.4°F	77.0°F	80.0°F	80.6°F	84.2°F	73.4°F	77.0°F	80.0°F	80.6°F	84.2°F	73.4°F	77.0°F	80.0°F	80.6°F	84.2°F	73.4°F	77.0°F	80.0°F	80.6°F	84.2°F
			23.0°C	25.0°C	26.7°C	27.0°C	29.0°C	23.0°C	25.0°C	26.7°C	27.0°C	29.0°C	23.0°C	25.0°C	26.7°C	27.0°C	29.0°C	23.0°C	25.0°C	26.7°C	27.0°C	29.0°C
490	50°F (10°C)	TC	14275	14295	14310	14311	14330	15136	15154	15169	15172	15190	16040	16061	16079	16082	16100	17007	17025	17044	17046	17067
		S/T	0.45	0.52	0.59	0.59	0.68	0.47	0.55	0.63	0.63	0.72	0.50	0.59	0.67	0.67	0.76	0.53	0.62	0.71	0.71	0.81
		PI	0.69	0.69	0.69	0.69	0.69	0.73	0.73	0.74	0.74	0.74	0.78	0.78	0.78	0.78	0.78	0.82	0.82	0.83	0.83	0.83
	59°F (15°C)	TC	15021	15042	15058	15058	15079	15927	15945	15961	15964	15983	16878	16900	16919	16922	16941	17895	17915	17934	17937	17959
		S/T	0.45	0.53	0.60	0.60	0.68	0.47	0.56	0.63	0.63	0.72	0.50	0.59	0.67	0.67	0.76	0.53	0.63	0.71	0.71	0.81
		PI	0.74	0.74	0.74	0.74	0.74	0.79	0.79	0.79	0.79	0.79	0.83	0.83	0.84	0.84	0.84	0.88	0.88	0.89	0.89	0.89
	68°F (20°C)	TC	15767	15788	15805	15806	15827	16717	16737	16754	16757	16777	17716	17739	17759	17762	17782	18784	18804	18825	18827	18851
		S/T	0.46	0.54	0.61	0.61	0.70	0.49	0.57	0.65	0.65	0.74	0.52	0.61	0.69	0.69	0.79	0.55	0.64	0.73	0.73	0.83
		PI	0.79	0.79	0.79	0.79	0.79	0.84	0.84	0.84	0.84	0.84	0.89	0.89	0.89	0.89	0.89	0.94	0.94	0.95	0.95	0.95
	77°F (25°C)	TC	16513	16535	16553	16554	16576	17508	17529	17546	17550	17571	18554	18578	18599	18603	18623	19672	19694	19715	19718	19743
		S/T	0.47	0.55	0.62	0.62	0.71	0.49	0.58	0.66	0.66	0.75	0.52	0.61	0.70	0.70	0.80	0.55	0.65	0.74	0.74	0.84
		PI	0.84	0.84	0.84	0.84	0.84	0.89	0.89	0.89	0.89	0.90	0.95	0.95	0.95	0.95	0.95	1.00	1.00	1.00	1.00	1.01
	82°F (27.8°C)	TC	16715	16737	16755	16756	16778	17722	17743	17760	17764	17785	18781	18805	18826	18830	18851	19912	19934	19956	19959	19984
		S/T	0.47	0.55	0.63	0.63	0.72	0.50	0.59	0.67	0.67	0.76	0.53	0.62	0.71	0.71	0.81	0.56	0.66	0.75	0.75	0.85
		PI	0.94	0.94	0.94	0.94	0.94	0.99	0.99	0.99	0.99	0.99	1.05	1.05	1.05	1.05	1.05	1.11	1.12	1.12	1.12	1.12
	86°F (30°C)	TC	16607	16630	16647	16648	16671	17608	17629	17646	17650	17671	18660	18684	18705	18709	18729	19784	19806	19827	19830	19855
		S/T	0.48	0.56	0.64	0.64	0.73	0.51	0.59	0.68	0.68	0.77	0.54	0.63	0.72	0.72	0.82	0.57	0.67	0.76	0.76	0.86
		PI	1.09	1.09	1.10	1.10	1.10	1.16	1.16	1.16	1.16	1.16	1.23	1.23	1.23	1.23	1.23	1.30	1.30	1.30	1.30	1.31
	95°F (35°C)	TC	16366	16388	16405	16406	16428	17352	17372	17390	17393	17414	18389	18412	18433	18436	18457	19496	19518	19539	19542	19566
		S/T	0.48	0.56	0.64	0.64	0.73	0.51	0.59	0.68	0.68	0.77	0.54	0.63	0.72	0.72	0.82	0.57	0.67	0.76	0.76	0.86
		PI	1.45	1.45	1.45	1.45	1.45	1.53	1.54	1.54	1.54	1.54	1.63	1.63	1.63	1.63	1.63	1.72	1.73	1.73	1.73	1.73
	104°F (40°C)	TC	13861	13879	13894	13895	13913	14696	14713	14728	14731	14748	15574	15594	15611	15614	15632	16512	16530	16548	16551	16571
		S/T	0.49	0.57	0.65	0.65	0.74	0.52	0.61	0.69	0.69	0.79	0.55	0.65	0.73	0.73	0.84	0.58	0.68	0.78	0.78	0.89
		PI	1.32	1.32	1.32	1.32	1.33	1.40	1.40	1.40	1.40	1.41	1.48	1.49	1.49	1.49	1.49	1.57	1.58	1.58	1.58	1.58
110°F (43°C)	TC	12358	12374	12387	12388	12405	13102	13118	13131	13133	13149	13885	13903	13919	13921	13937	14722	14738	14754	14756	14774	
	S/T	0.51	0.60	0.68	0.68	0.77	0.54	0.63	0.72	0.72	0.82	0.57	0.67	0.76	0.76	0.87	0.60	0.71	0.81	0.81	0.92	
	PI	1.25	1.25	1.25	1.25	1.25	1.32	1.32	1.32	1.32	1.33	1.40	1.40	1.40	1.40	1.41	1.48	1.49	1.49	1.49	1.49	
115°F (46°C)	TC	10148	10162	10173	10174	10187	10760	10773	10783	10786	10798	11403	11418	11430	11433	11445	12090	12103	12116	12118	12133	
	S/T	0.51	0.60	0.68	0.68	0.78	0.54	0.64	0.73	0.73	0.83	0.58	0.68	0.77	0.77	0.88	0.61	0.72	0.82	0.82	0.93	
	PI	1.11	1.11	1.11	1.11	1.12	1.18	1.18	1.18	1.18	1.18	1.25	1.25	1.25	1.25	1.25	1.32	1.33	1.33	1.33	1.33	
122°F (50°C)	TC	7203	7213	7221	7221	7231	7637	7646	7654	7655	7664	8094	8104	8113	8115	8124	8581	8590	8600	8601	8612	
	S/T	0.53	0.62	0.70	0.70	0.80	0.56	0.65	0.74	0.74	0.85	0.59	0.69	0.79	0.79	0.90	0.63	0.73	0.83	0.83	0.95	
	PI	0.93	0.93	0.93	0.93	0.94	0.99	0.99	0.99	0.99	0.99	1.05	1.05	1.05	1.05	1.05	1.11	1.11	1.11	1.11	1.11	

TC: Total Cooling Capacity (BTU/hr)

S/T: Sensible Cooling Capacity Ratio

PI: Power Input(kW)

18MUC0-HE-SYS-B Expanded Cooling @ 530 CFM

CFM	OD DB (°F)	ID WB ID DB	60.8°F (16.0°C)					64.4°F (18.0°C)					67°F (19.4°C)					71.6°F (22.0°C)				
			73.4°F	77.0°F	80.0°F	80.6°F	84.2°F	73.4°F	77.0°F	80.0°F	80.6°F	84.2°F	73.4°F	77.0°F	80.0°F	80.6°F	84.2°F	73.4°F	77.0°F	80.0°F	80.6°F	84.2°F
			23.0°C	25.0°C	26.7°C	27.0°C	29.0°C	23.0°C	25.0°C	26.7°C	27.0°C	29.0°C	23.0°C	25.0°C	26.7°C	27.0°C	29.0°C	23.0°C	25.0°C	26.7°C	27.0°C	29.0°C
530	50°F (10°C)	TC	14816	14835	14851	14852	14872	15708	15727	15743	15746	15764	16647	16669	16687	16690	16709	17650	17669	17688	17691	17713
		S/T	0.46	0.54	0.62	0.62	0.70	0.49	0.58	0.65	0.65	0.75	0.52	0.61	0.69	0.69	0.79	0.55	0.65	0.73	0.73	0.84
		PI	0.72	0.72	0.72	0.72	0.72	0.76	0.76	0.76	0.76	0.76	0.81	0.81	0.81	0.81	0.81	0.86	0.86	0.86	0.86	0.86
	59°F (15°C)	TC	15590	15611	15627	15628	15649	16529	16549	16565	16568	16588	17517	17539	17559	17562	17582	18572	18592	18612	18615	18639
		S/T	0.46	0.55	0.62	0.62	0.71	0.49	0.58	0.66	0.66	0.75	0.52	0.61	0.70	0.70	0.79	0.55	0.65	0.74	0.74	0.84
		PI	0.77	0.77	0.77	0.77	0.77	0.82	0.82	0.82	0.82	0.82	0.86	0.87	0.87	0.87	0.87	0.92	0.92	0.92	0.92	0.92
	68°F (20°C)	TC	16364	16386	16403	16404	16426	17350	17370	17388	17391	17412	18386	18410	18431	18434	18455	19494	19515	19537	19540	19564
		S/T	0.48	0.56	0.64	0.64	0.73	0.51	0.59	0.67	0.67	0.77	0.54	0.63	0.71	0.71	0.81	0.57	0.67	0.76	0.76	0.86
		PI	0.82	0.82	0.82	0.82	0.82	0.87	0.87	0.87	0.87	0.87	0.92	0.92	0.93	0.93	0.93	0.98	0.98	0.98	0.98	0.98
	77°F (25°C)	TC	17138	17161	17179	17180	17203	18171	18192	18210	18214	18235	19256	19281	19303	19306	19328	20416	20439	20461	20464	20490
		S/T	0.48	0.57	0.64	0.64	0.73	0.51	0.60	0.68	0.68	0.78	0.54	0.64	0.72	0.72	0.83	0.58	0.68	0.77	0.77	0.88
		PI	0.87	0.87	0.88	0.88	0.88	0.93	0.93	0.93	0.93	0.93	0.98	0.98	0.98	0.98	0.99	1.04	1.04	1.04	1.04	1.04
	82°F (27.8°C)	TC	17347	17370	17389	17390	17413	18392	18414	18432	18436	18458	19491	19516	19538	19542	19564	20666	20688	20711	20714	20740
		S/T	0.49	0.57	0.65	0.65	0.74	0.52	0.61	0.69	0.69	0.79	0.55	0.65	0.73	0.73	0.84	0.58	0.68	0.78	0.78	0.89
		PI	0.97	0.97	0.97	0.97	0.97	1.03	1.03	1.03	1.03	1.03	1.09	1.09	1.09	1.09	1.09	1.16	1.16	1.16	1.16	1.16
	86°F (30°C)	TC	17235	17259	17277	17278	17301	18274	18296	18314	18317	18339	19366	19391	19413	19416	19438	20533	20555	20577	20581	20606
		S/T	0.50	0.58	0.66	0.66	0.75	0.53	0.62	0.70	0.70	0.80	0.56	0.65	0.74	0.74	0.85	0.59	0.69	0.79	0.79	0.90
		PI	1.13	1.14	1.14	1.14	1.14	1.20	1.20	1.20	1.21	1.21	1.27	1.28	1.28	1.28	1.28	1.35	1.35	1.35	1.35	1.36
	95°F (35°C)	TC	16985	17008	17026	17027	17050	18008	18030	18047	18051	18072	19084	19109	19130	19134	19155	20234	20256	20278	20281	20307
		S/T	0.50	0.58	0.66	0.66	0.75	0.53	0.62	0.70	0.70	0.80	0.56	0.65	0.74	0.74	0.85	0.59	0.69	0.79	0.79	0.90
		PI	1.50	1.50	1.51	1.51	1.51	1.59	1.59	1.60	1.60	1.60	1.69	1.69	1.69	1.69	1.69	1.79	1.79	1.79	1.79	1.80
	104°F (40°C)	TC	14385	14404	14420	14420	14440	15252	15270	15285	15288	15306	16163	16184	16202	16205	16223	17137	17155	17174	17177	17198
		S/T	0.51	0.60	0.68	0.68	0.77	0.54	0.63	0.72	0.72	0.82	0.57	0.67	0.76	0.76	0.87	0.61	0.71	0.81	0.81	0.92
		PI	1.37	1.37	1.37	1.37	1.38	1.45	1.46	1.46	1.46	1.46	1.54	1.54	1.54	1.55	1.55	1.63	1.64	1.64	1.64	1.64
	110°F (43°C)	TC	12825	12842	12856	12857	12874	13598	13614	13627	13630	13646	14410	14429	14445	14448	14464	15279	15295	15312	15314	15333
		S/T	0.53	0.62	0.70	0.70	0.80	0.56	0.66	0.74	0.74	0.85	0.59	0.69	0.79	0.79	0.90	0.63	0.74	0.84	0.84	0.95
		PI	1.29	1.30	1.30	1.30	1.30	1.37	1.37	1.37	1.37	1.38	1.45	1.46	1.46	1.46	1.46	1.54	1.54	1.54	1.54	1.55
	115°F (46°C)	TC	10532	10547	10558	10558	10573	11167	11180	11191	11194	11207	11834	11850	11863	11865	11878	12547	12561	12575	12577	12592
		S/T	0.53	0.63	0.71	0.71	0.81	0.56	0.66	0.75	0.75	0.86	0.60	0.70	0.80	0.80	0.91	0.63	0.74	0.85	0.85	0.96
		PI	1.15	1.15	1.16	1.16	1.16	1.22	1.22	1.23	1.23	1.23	1.30	1.30	1.30	1.30	1.30	1.37	1.38	1.38	1.38	1.38
	122°F (50°C)	TC	7476	7486	7494	7494	7504	7926	7936	7943	7945	7954	8400	8411	8420	8422	8431	8906	8915	8925	8927	8938
		S/T	0.55	0.64	0.73	0.73	0.83	0.58	0.68	0.77	0.77	0.88	0.61	0.72	0.82	0.82	0.93	0.65	0.76	0.87	0.87	0.99
		PI	0.97	0.97	0.97	0.97	0.97	1.03	1.03	1.03	1.03	1.03	1.09	1.09	1.09	1.09	1.09	1.15	1.15	1.15	1.15	1.16

S/T:Sensible Cooling Capacity Ratio

PI:Power Input(kW)

18MUC0-HE-SYS-B Expanded Cooling @ 580 CFM

CFM	OD DB (°F)	ID WB ID DB	60.8°F (16.0°C)					64.4°F (18.0°C)					67°F (19.4°C)					71.6°F (22.0°C)				
			73.4°F	77.0°F	80.0°F	80.6°F	84.2°F	73.4°F	77.0°F	80.0°F	80.6°F	84.2°F	73.4°F	77.0°F	80.0°F	80.6°F	84.2°F	73.4°F	77.0°F	80.0°F	80.6°F	84.2°F
			23.0°C	25.0°C	26.7°C	27.0°C	29.0°C	23.0°C	25.0°C	26.7°C	27.0°C	29.0°C	23.0°C	25.0°C	26.7°C	27.0°C	29.0°C	23.0°C	25.0°C	26.7°C	27.0°C	29.0°C
580	50°F (10°C)	TC	15376	15397	15413	15414	15435	16303	16322	16338	16341	16361	17277	17299	17318	17322	17341	18318	18338	18357	18360	18383
		S/T	0.48	0.56	0.64	0.64	0.73	0.51	0.60	0.68	0.68	0.77	0.54	0.63	0.72	0.72	0.82	0.57	0.67	0.76	0.76	0.87
		PI	0.75	0.75	0.75	0.75	0.75	0.79	0.79	0.79	0.79	0.79	0.84	0.84	0.84	0.84	0.84	0.89	0.89	0.89	0.89	0.89
	59°F (15°C)	TC	16179	16201	16219	16219	16241	17154	17175	17192	17195	17216	18179	18203	18223	18227	18247	19275	19296	19317	19320	19344
		S/T	0.48	0.57	0.64	0.64	0.73	0.51	0.60	0.68	0.68	0.78	0.54	0.64	0.72	0.72	0.82	0.57	0.67	0.77	0.77	0.87
		PI	0.80	0.80	0.80	0.80	0.80	0.85	0.85	0.85	0.85	0.85	0.90	0.90	0.90	0.90	0.90	0.95	0.95	0.95	0.95	0.96
	68°F (20°C)	TC	16983	17006	17024	17025	17048	18006	18028	18045	18049	18070	19082	19107	19128	19132	19153	20232	20254	20276	20279	20304
		S/T	0.50	0.58	0.66	0.66	0.75	0.52	0.62	0.70	0.70	0.80	0.56	0.65	0.74	0.74	0.85	0.59	0.69	0.79	0.79	0.90
		PI	0.85	0.85	0.85	0.85	0.86	0.90	0.91	0.91	0.91	0.91	0.96	0.96	0.96	0.96	0.96	1.02	1.02	1.02	1.02	1.02
	77°F (25°C)	TC	17786	17810	17829	17830	17854	18858	18880	18899	18903	18925	19985	20011	20033	20037	20059	21189	21212	21235	21238	21265
		S/T	0.50	0.59	0.67	0.67	0.76	0.53	0.62	0.71	0.71	0.81	0.56	0.66	0.75	0.75	0.86	0.60	0.70	0.80	0.80	0.91
		PI	0.91	0.91	0.91	0.91	0.91	0.96	0.96	0.96	0.96	0.96	1.02	1.02	1.02	1.02	1.02	1.08	1.08	1.08	1.08	1.08
	82°F (27.8°C)	TC	18003	18027	18047	18048	18072	19088	19111	19130	19133	19156	20229	20255	20277	20281	20304	21447	21471	21494	21497	21524
		S/T	0.51	0.60	0.68	0.68	0.77	0.54	0.63	0.72	0.72	0.82	0.57	0.67	0.76	0.76	0.87	0.61	0.71	0.81	0.81	0.92
		PI	1.01	1.01	1.01	1.01	1.01	1.07	1.07	1.07	1.07	1.07	1.13	1.13	1.13	1.13	1.14	1.20	1.20	1.20	1.20	1.20
	86°F (30°C)	TC	17887	17912	17931	17932	17956	18965	18988	19007	19010	19033	20099	20125	20147	20151	20173	21310	21333	21356	21359	21386
		S/T	0.51	0.60	0.69	0.69	0.78	0.55	0.64	0.73	0.73	0.83	0.58	0.68	0.77	0.77	0.88	0.61	0.72	0.82	0.82	0.93
		PI	1.18	1.18	1.18	1.18	1.18	1.25	1.25	1.25	1.25	1.25	1.32	1.32	1.33	1.33	1.33	1.40	1.40	1.40	1.41	1.41
	95°F (35°C)	TC	17627	17651	17670	17671	17695	18690	18712	18730	18734	18756	19806	19832	19854	19858	19880	21000	21022	21045	21048	21075
		S/T	0.51	0.60	0.69	0.69	0.78	0.55	0.64	0.73	0.73	0.83	0.58	0.68	0.77	0.77	0.88	0.61	0.72	0.82	0.82	0.93
		PI	1.56	1.56	1.56	1.56	1.56	1.65	1.65	1.66	1.66	1.66	1.75	1.75	1.76	1.76	1.76	1.86	1.86	1.86	1.86	1.86
	104°F (40°C)	TC	14929	14949	14965	14966	14986	15829	15848	15863	15866	15885	16774	16796	16815	16818	16837	17785	17805	17824	17827	17849
		S/T	0.53	0.62	0.70	0.70	0.80	0.56	0.66	0.75	0.75	0.85	0.59	0.70	0.79	0.79	0.90	0.63	0.74	0.84	0.84	0.95
		PI	1.42	1.43	1.43	1.43	1.43	1.51	1.51	1.51	1.51	1.51	1.60	1.60	1.60	1.60	1.61	1.70	1.70	1.70	1.70	1.70
110°F (43°C)	TC	13310	13328	13342	13343	13361	14112	14129	14143	14146	14163	14955	14975	14992	14994	15011	15857	15874	15891	15894	15913	
	S/T	0.55	0.64	0.73	0.73	0.83	0.58	0.68	0.77	0.77	0.88	0.61	0.72	0.82	0.82	0.93	0.65	0.76	0.87	0.87	0.99	
	PI	1.34	1.34	1.35	1.35	1.35	1.42	1.42	1.43	1.43	1.43	1.51	1.51	1.51	1.51	1.51	1.60	1.60	1.60	1.60	1.60	
115°F (46°C)	TC	10931	10946	10957	10958	10973	11590	11603	11615	11617	11631	12282	12298	12312	12314	12328	13022	13036	13050	13052	13069	
	S/T	0.55	0.65	0.74	0.74	0.84	0.59	0.69	0.78	0.78	0.89	0.62	0.73	0.83	0.83	0.94	0.66	0.77	0.88	0.88	1.00	
	PI	1.20	1.20	1.20	1.20	1.20	1.27	1.27	1.27	1.27	1.27	1.35	1.35	1.35	1.35	1.35	1.43	1.43	1.43	1.43	1.43	
122°F (50°C)	TC	7758	7769	7777	7778	7788	8226	8236	8244	8246	8255	8717	8729	8739	8740	8750	9243	9253	9263	9264	9276	
	S/T	0.57	0.66	0.75	0.75	0.86	0.60	0.70	0.80	0.80	0.91	0.64	0.75	0.85	0.85	0.97	0.67	0.79	0.90	0.90	1.00	
	PI	1.00	1.00	1.01	1.01	1.01	1.06	1.07	1.07	1.07	1.07	1.13	1.13	1.13	1.13	1.13	1.20	1.20	1.20	1.20	1.20	

S/T:Sensible Cooling Capacity Ratio

PI:Power Input(kW)

18MUC0-HE-SYS-B Expanded Cooling @ 620 CFM

CFM	OD DB (°F)	ID WB ID DB	60.8°F (16.0°C)					64.4°F (18.0°C)					67°F (19.4°C)					71.6°F (22.0°C)				
			73.4°F	77.0°F	80.0°F	80.6°F	84.2°F	73.4°F	77.0°F	80.0°F	80.6°F	84.2°F	73.4°F	77.0°F	80.0°F	80.6°F	84.2°F	73.4°F	77.0°F	80.0°F	80.6°F	84.2°F
			23.0°C	25.0°C	26.7°C	27.0°C	29.0°C	23.0°C	25.0°C	26.7°C	27.0°C	29.0°C	23.0°C	25.0°C	26.7°C	27.0°C	29.0°C	23.0°C	25.0°C	26.7°C	27.0°C	29.0°C
620	50°F (10°C)	TC	15958	15979	15996	15997	16019	16919	16939	16956	16960	16980	17930	17954	17974	17977	17997	19011	19031	19052	19055	19079
		S/T	0.50	0.58	0.66	0.66	0.76	0.53	0.62	0.70	0.70	0.80	0.56	0.66	0.75	0.75	0.85	0.59	0.70	0.79	0.79	0.90
		PI	0.77	0.77	0.78	0.78	0.78	0.82	0.82	0.82	0.82	0.82	0.87	0.87	0.87	0.87	0.87	0.92	0.92	0.92	0.92	0.92
	59°F (15°C)	TC	16791	16814	16832	16833	16856	17803	17824	17842	17846	17867	18867	18892	18913	18916	18937	20004	20026	20047	20050	20075
		S/T	0.50	0.59	0.67	0.67	0.76	0.53	0.62	0.71	0.71	0.81	0.56	0.66	0.75	0.75	0.86	0.60	0.70	0.80	0.80	0.91
		PI	0.83	0.83	0.83	0.83	0.83	0.88	0.88	0.88	0.88	0.88	0.93	0.93	0.93	0.93	0.94	0.99	0.99	0.99	0.99	0.99
	68°F (20°C)	TC	17625	17649	17668	17669	17693	18687	18710	18728	18732	18754	19804	19830	19852	19855	19878	20997	21020	21043	21046	21072
		S/T	0.51	0.60	0.69	0.69	0.78	0.54	0.64	0.73	0.73	0.83	0.58	0.68	0.77	0.77	0.88	0.61	0.72	0.82	0.82	0.93
		PI	0.88	0.89	0.89	0.89	0.89	0.94	0.94	0.94	0.94	0.94	0.99	1.00	1.00	1.00	1.00	1.05	1.06	1.06	1.06	1.06
	77°F (25°C)	TC	18459	18484	18504	18505	18529	19571	19595	19614	19618	19641	20741	20768	20791	20795	20818	21990	22014	22038	22042	22069
		S/T	0.52	0.61	0.69	0.69	0.79	0.55	0.65	0.74	0.74	0.84	0.59	0.69	0.78	0.78	0.89	0.62	0.73	0.83	0.83	0.94
		PI	0.94	0.94	0.94	0.94	0.94	1.00	1.00	1.00	1.00	1.00	1.06	1.06	1.06	1.06	1.06	1.12	1.12	1.12	1.12	1.12
	82°F (27.8°C)	TC	18684	18709	18730	18730	18756	19810	19834	19853	19857	19881	20994	21021	21044	21048	21072	22259	22283	22307	22311	22338
		S/T	0.53	0.62	0.70	0.70	0.80	0.56	0.66	0.75	0.75	0.85	0.59	0.70	0.79	0.79	0.90	0.63	0.74	0.84	0.84	0.95
		PI	1.05	1.05	1.05	1.05	1.05	1.11	1.11	1.11	1.11	1.11	1.17	1.18	1.18	1.18	1.18	1.25	1.25	1.25	1.25	1.25
	86°F (30°C)	TC	18564	18589	18609	18610	18635	19683	19706	19726	19730	19753	20859	20886	20909	20913	20936	22116	22140	22164	22167	22195
		S/T	0.53	0.63	0.71	0.71	0.81	0.57	0.66	0.75	0.75	0.86	0.60	0.70	0.80	0.80	0.91	0.64	0.75	0.85	0.85	0.97
		PI	1.22	1.22	1.22	1.22	1.23	1.29	1.30	1.30	1.30	1.30	1.37	1.37	1.38	1.38	1.38	1.45	1.46	1.46	1.46	1.46
	95°F (35°C)	TC	18294	18319	18338	18339	18364	19397	19420	19439	19443	19466	20555	20582	20605	20609	20632	21794	21818	21841	21845	21872
		S/T	0.53	0.63	0.71	0.71	0.81	0.57	0.66	0.75	0.75	0.86	0.60	0.70	0.80	0.80	0.91	0.64	0.75	0.85	0.85	0.97
		PI	1.62	1.62	1.62	1.62	1.62	1.72	1.72	1.72	1.72	1.72	1.82	1.82	1.82	1.82	1.82	1.93	1.93	1.93	1.93	1.93
	104°F (40°C)	TC	15494	15515	15531	15532	15553	16428	16447	16463	16467	16486	17409	17432	17451	17454	17474	18458	18478	18498	18501	18524
		S/T	0.55	0.64	0.73	0.73	0.83	0.58	0.68	0.77	0.77	0.88	0.62	0.72	0.82	0.82	0.93	0.65	0.76	0.87	0.87	0.99
		PI	1.48	1.48	1.48	1.48	1.48	1.57	1.57	1.57	1.57	1.57	1.66	1.66	1.66	1.66	1.67	1.76	1.76	1.76	1.76	1.77
110°F (43°C)	TC	13814	13832	13847	13848	13866	14646	14664	14678	14681	14698	15521	15541	15559	15562	15579	16456	16474	16492	16495	16515	
	S/T	0.57	0.67	0.76	0.76	0.86	0.60	0.71	0.80	0.80	0.91	0.64	0.75	0.85	0.85	0.97	0.68	0.79	0.90	0.90	1.00	
	PI	1.39	1.39	1.40	1.40	1.40	1.48	1.48	1.48	1.48	1.48	1.57	1.57	1.57	1.57	1.57	1.66	1.66	1.66	1.66	1.67	
115°F (46°C)	TC	11344	11360	11372	11372	11388	12028	12042	12054	12057	12071	12747	12763	12777	12780	12794	13515	13529	13544	13546	13563	
	S/T	0.57	0.67	0.77	0.77	0.87	0.61	0.71	0.81	0.81	0.92	0.65	0.76	0.86	0.86	0.98	0.68	0.80	0.91	0.91	1.00	
	PI	1.24	1.24	1.25	1.25	1.25	1.32	1.32	1.32	1.32	1.32	1.40	1.40	1.40	1.40	1.40	1.48	1.48	1.48	1.48	1.49	
122°F (50°C)	TC	8052	8063	8071	8072	8083	8537	8547	8556	8557	8568	9047	9059	9069	9071	9081	9592	9603	9613	9615	9627	
	S/T	0.59	0.69	0.78	0.78	0.89	0.62	0.73	0.83	0.83	0.95	0.66	0.77	0.88	0.88	1.00	0.70	0.82	0.93	0.93	1.00	
	PI	1.04	1.04	1.04	1.04	1.05	1.10	1.11	1.11	1.11	1.11	1.17	1.17	1.17	1.17	1.17	1.24	1.24	1.24	1.24	1.25	

S/T: Sensible Cooling Capacity Ratio

PI: Power Input(kW)

18MUC0-HE-SYS-B Expanded Heating @ 490 CFM

CFM	HEATING PERFORMANCE AT INDOOR DRY BULB TEMPERATURE										
	OD DB (°F)	TC : Total Heating Capacity(BTU/hr)					PI : Power Input(kW)				
		Indoor Conditions(DB °F)					Indoor Conditions(DB °F)				
		60.8°F	68°F	70°F	71.6°F	75.2°F	60.8°F	68°F	70°F	71.6°F	75.2°F
490	-13°F (-25°C)	6702	6568	6535	6211	6155	1.37	1.38	1.38	1.39	1.39
	-4°F (-20°C)	7920	7761	7722	7339	7273	1.50	1.52	1.52	1.52	1.53
	0°F (-17.8°C)	9141	8958	8913	8471	8395	1.53	1.54	1.54	1.54	1.55
	5°F (-15°C)	10668	10455	10402	9886	9797	1.55	1.56	1.57	1.57	1.58
	14°F (-10°C)	10837	10620	10567	10042	9952	1.53	1.54	1.55	1.55	1.55
	17°F (-8.3°C)	10893	10675	10622	10095	10004	1.52	1.53	1.54	1.54	1.55
	22°F (-5.6°C)	12020	11780	11721	11139	11039	1.55	1.56	1.56	1.57	1.57
	27°F (-2.7°C)	13147	12884	12820	12183	12074	1.57	1.58	1.59	1.59	1.60
	32°F (0.0°C)	14274	13989	13919	13227	13108	1.60	1.61	1.61	1.62	1.62
	35°F (1.7°C)	14950	14651	14578	13854	13729	1.61	1.62	1.63	1.63	1.64
	37°F (2.8°C)	15450	15141	15065	14317	14188	1.60	1.61	1.62	1.62	1.63
	42°F (5.6°C)	16699	16365	16284	15475	15336	1.57	1.58	1.59	1.59	1.60
	44.6°F (7.0°C)	17199	16855	16771	15938	15795	1.56	1.57	1.58	1.58	1.59
	47°F (8.3°C)	17949	17590	17502	16633	16483	1.54	1.56	1.56	1.56	1.57
	52°F (11.1°C)	16928	16589	16506	15687	15546	1.47	1.49	1.49	1.49	1.50
	57°F (13.9°C)	15907	15589	15511	14741	14608	1.40	1.41	1.42	1.42	1.42
	59°F (15°C)	15498	15189	15113	14362	14233	1.37	1.38	1.39	1.39	1.40
62°F (16.7°C)	14886	14588	14515	13794	13670	1.33	1.34	1.34	1.35	1.35	
64.4°F (18°C)	14477	14188	14117	13416	13295	1.30	1.31	1.32	1.32	1.32	

18MUC0-HE-SYS-B Expanded Heating @ 530 CFM

CFM	HEATING PERFORMANCE AT INDOOR DRY BULB TEMPERATURE										
	OD DB (°F)	TC : Total Heating Capacity(BTU/hr)					PI : Power Input(kW)				
		Indoor Conditions(DB °F)					Indoor Conditions(DB °F)				
		60.8°F	68°F	70°F	71.6°F	75.2°F	60.8°F	68°F	70°F	71.6°F	75.2°F
530	-13°F (-25°C)	6955	6816	6782	6598	6539	1.38	1.39	1.40	1.40	1.41
	-4°F (-20°C)	8219	8055	8015	7797	7727	1.52	1.53	1.53	1.54	1.54
	0°F (-17.8°C)	9487	9297	9251	9000	8919	1.54	1.55	1.56	1.56	1.57
	5°F (-15°C)	11072	10850	10796	10503	10409	1.57	1.58	1.58	1.59	1.59
	14°F (-10°C)	11247	11022	10967	10670	10574	1.55	1.56	1.56	1.56	1.57
	17°F (-8.3°C)	11305	11079	11024	10725	10629	1.54	1.55	1.55	1.56	1.56
	22°F (-5.6°C)	12475	12225	12164	11835	11728	1.56	1.58	1.58	1.58	1.59
	27°F (-2.7°C)	13644	13372	13305	12944	12828	1.59	1.60	1.60	1.61	1.61
	32°F (0.0°C)	14814	14518	14445	14054	13927	1.61	1.63	1.63	1.63	1.64
	35°F (1.7°C)	15516	15205	15129	14719	14587	1.63	1.64	1.64	1.65	1.65
	37°F (2.8°C)	16034	15714	15635	15212	15075	1.62	1.63	1.63	1.64	1.64
	42°F (5.6°C)	17331	16985	16900	16442	16294	1.59	1.60	1.60	1.61	1.61
	44.6°F (7.0°C)	17850	17493	17405	16934	16781	1.58	1.59	1.59	1.60	1.60
	47°F (8.3°C)	18628	18255	18164	17672	17513	1.56	1.57	1.58	1.58	1.59
	52°F (11.1°C)	17568	17217	17131	16667	16517	1.49	1.50	1.50	1.51	1.51
	57°F (13.9°C)	16509	16178	16098	15661	15520	1.42	1.43	1.43	1.43	1.44
	59°F (15°C)	16085	15763	15684	15259	15122	1.39	1.40	1.40	1.40	1.41
62°F (16.7°C)	15449	15140	15064	14656	14524	1.34	1.36	1.36	1.36	1.37	
64.4°F (18°C)	15025	14725	14651	14254	14126	1.32	1.33	1.33	1.33	1.34	

18MUC0-HE-SYS-B Expanded Heating @ 580 CFM

CFM	HEATING PERFORMANCE AT INDOOR DRY BULB TEMPERATURE										
	OD DB (°F)	TC : Total Heating Capacity(BTU/hr)					PI : Power Input(kW)				
		Indoor Conditions(DB °F)					Indoor Conditions(DB °F)				
		60.8°F	68°F	70°F	71.6°F	75.2°F	60.8°F	68°F	70°F	71.6°F	75.2°F
580	-13°F (-25°C)	7219	7074	7039	7011	6948	1.40	1.41	1.41	1.41	1.42
	-4°F (-20°C)	8530	8359	8318	8284	8210	1.53	1.55	1.55	1.55	1.56
	0°F (-17.8°C)	9846	9649	9601	9562	9476	1.56	1.57	1.57	1.58	1.58
	5°F (-15°C)	11490	11261	11204	11159	11059	1.58	1.60	1.60	1.60	1.61
	14°F (-10°C)	11672	11439	11382	11336	11234	1.56	1.57	1.58	1.58	1.59
	17°F (-8.3°C)	11733	11498	11441	11395	11293	1.55	1.57	1.57	1.57	1.58
	22°F (-5.6°C)	12947	12688	12624	12574	12461	1.58	1.59	1.59	1.60	1.60
	27°F (-2.7°C)	14161	13877	13808	13753	13629	1.60	1.62	1.62	1.62	1.63
	32°F (0.0°C)	15374	15067	14992	14932	14797	1.63	1.64	1.65	1.65	1.65
	35°F (1.7°C)	16103	15781	15702	15639	15498	1.64	1.66	1.66	1.66	1.67
	37°F (2.8°C)	16641	16308	16227	16162	16016	1.63	1.65	1.65	1.65	1.66
	42°F (5.6°C)	17987	17627	17539	17469	17312	1.60	1.62	1.62	1.62	1.63
	44.6°F (7.0°C)	18525	18155	18064	17992	17830	1.59	1.61	1.61	1.61	1.62
	47°F (8.3°C)	19333	18946	18851	18776	18607	1.58	1.59	1.59	1.60	1.60
	52°F (11.1°C)	18233	17868	17779	17708	17548	1.50	1.52	1.52	1.52	1.53
	57°F (13.9°C)	17133	16791	16707	16640	16490	1.43	1.44	1.45	1.45	1.45
	59°F (15°C)	16693	16359	16278	16213	16067	1.40	1.41	1.42	1.42	1.42
62°F (16.7°C)	16033	15713	15634	15572	15432	1.36	1.37	1.37	1.37	1.38	
64.4°F (18°C)	15594	15282	15205	15144	15008	1.33	1.34	1.34	1.35	1.35	

18MUC0-HE-SYS-B Expanded Heating @ 620 CFM

CFM	HEATING PERFORMANCE AT INDOOR DRY BULB TEMPERATURE										
	OD DB (°F)	TC : Total Heating Capacity(BTU/hr)					PI : Power Input(kW)				
		Indoor Conditions(DB °F)					Indoor Conditions(DB °F)				
		60.8°F	68°F	70°F	71.6°F	75.2°F	60.8°F	68°F	70°F	71.6°F	75.2°F
620	-13°F (-25°C)	7492	7342	7305	7276	7210	1.41	1.42	1.43	1.43	1.43
	-4°F (-20°C)	8853	8676	8632	8598	8520	1.55	1.56	1.57	1.57	1.58
	0°F (-17.8°C)	10218	10014	9964	9924	9835	1.57	1.58	1.59	1.59	1.60
	5°F (-15°C)	11925	11687	11628	11582	11477	1.60	1.61	1.62	1.62	1.62
	14°F (-10°C)	12114	11872	11812	11765	11659	1.58	1.59	1.59	1.60	1.60
	17°F (-8.3°C)	12177	11933	11874	11826	11720	1.57	1.58	1.59	1.59	1.59
	22°F (-5.6°C)	13437	13168	13102	13050	12932	1.59	1.61	1.61	1.61	1.62
	27°F (-2.7°C)	14696	14402	14330	14273	14145	1.62	1.63	1.64	1.64	1.65
	32°F (0.0°C)	15956	15637	15559	15496	15357	1.65	1.66	1.66	1.66	1.67
	35°F (1.7°C)	16712	16378	16296	16231	16084	1.66	1.67	1.68	1.68	1.69
	37°F (2.8°C)	17271	16925	16840	16773	16622	1.65	1.66	1.67	1.67	1.68
	42°F (5.6°C)	18667	18294	18202	18130	17966	1.62	1.63	1.64	1.64	1.65
	44.6°F (7.0°C)	19226	18841	18747	18672	18504	1.61	1.62	1.63	1.63	1.64
	47°F (8.3°C)	20064	19663	19564	19486	19311	1.59	1.60	1.61	1.61	1.62
	52°F (11.1°C)	18923	18544	18451	18378	18212	1.52	1.53	1.53	1.54	1.54
	57°F (13.9°C)	17781	17426	17339	17269	17114	1.45	1.46	1.46	1.46	1.47
	59°F (15°C)	17325	16978	16893	16826	16674	1.42	1.43	1.43	1.43	1.44
62°F (16.7°C)	16640	16307	16226	16161	16015	1.37	1.38	1.39	1.39	1.39	
64.4°F (18°C)	16183	15860	15781	15717	15576	1.34	1.35	1.36	1.36	1.36	

24MUC0-HE-SYS-B Expanded Cooling @ 629 CFM

CFM	OD DB (°F)	ID WB ID DB	60.8°F (16.0°C)					64.4°F (18.0°C)					67°F (19.4°C)					71.6°F (22.0°C)				
			73.4°F	77.0°F	80.0°F	80.6°F	84.2°F	73.4°F	77.0°F	80.0°F	80.6°F	84.2°F	73.4°F	77.0°F	80.0°F	80.6°F	84.2°F	73.4°F	77.0°F	80.0°F	80.6°F	84.2°F
			23.0°C	25.0°C	26.7°C	27.0°C	29.0°C	23.0°C	25.0°C	26.7°C	27.0°C	29.0°C	23.0°C	25.0°C	26.7°C	27.0°C	29.0°C	23.0°C	25.0°C	26.7°C	27.0°C	29.0°C
629	50°F (10°C)	TC	18212	18237	18256	18257	18282	19310	19333	19352	19356	19379	20463	20490	20513	20517	20540	21696	21720	21744	21747	21774
		S/T	0.43	0.50	0.57	0.57	0.65	0.45	0.53	0.60	0.60	0.69	0.48	0.56	0.64	0.64	0.73	0.51	0.60	0.68	0.68	0.77
		PI	0.82	0.82	0.82	0.82	0.82	0.87	0.87	0.87	0.87	0.87	0.92	0.92	0.92	0.92	0.92	0.97	0.98	0.98	0.98	0.98
	59°F (15°C)	TC	18513	18537	18557	18558	18583	19628	19651	19671	19675	19698	20801	20828	20851	20855	20878	22054	22078	22102	22106	22133
		S/T	0.43	0.50	0.57	0.57	0.65	0.45	0.53	0.60	0.60	0.69	0.48	0.56	0.64	0.64	0.73	0.51	0.60	0.68	0.68	0.77
		PI	0.88	0.88	0.88	0.88	0.88	0.93	0.93	0.93	0.93	0.93	0.99	0.99	0.99	0.99	0.99	1.04	1.05	1.05	1.05	1.05
	68°F (20°C)	TC	18813	18838	18858	18859	18885	19947	19970	19990	19994	20018	21138	21166	21189	21193	21217	22412	22436	22461	22464	22492
		S/T	0.44	0.52	0.59	0.59	0.67	0.47	0.55	0.62	0.62	0.71	0.49	0.58	0.66	0.66	0.75	0.52	0.61	0.70	0.70	0.80
		PI	0.94	0.94	0.94	0.94	0.94	0.99	0.99	0.99	0.99	1.00	1.05	1.05	1.05	1.05	1.06	1.11	1.12	1.12	1.12	1.12
	77°F (25°C)	TC	19113	19139	19159	19160	19186	20265	20289	20309	20313	20337	21476	21504	21528	21532	21556	22770	22794	22819	22823	22851
		S/T	0.45	0.52	0.59	0.59	0.68	0.47	0.55	0.63	0.63	0.72	0.50	0.59	0.67	0.67	0.76	0.53	0.62	0.71	0.71	0.81
		PI	0.99	1.00	1.00	1.00	1.00	1.05	1.06	1.06	1.06	1.06	1.12	1.12	1.12	1.12	1.12	1.19	1.19	1.19	1.19	1.19
	82°F (27.8°C)	TC	19448	19474	19495	19496	19523	20620	20645	20665	20669	20694	21852	21881	21905	21909	21934	23169	23194	23219	23223	23252
		S/T	0.45	0.53	0.60	0.60	0.69	0.48	0.56	0.64	0.64	0.73	0.51	0.59	0.68	0.68	0.77	0.54	0.63	0.72	0.72	0.82
		PI	1.17	1.17	1.17	1.17	1.17	1.24	1.24	1.24	1.24	1.24	1.31	1.31	1.31	1.31	1.32	1.39	1.39	1.39	1.39	1.39
	86°F (30°C)	TC	19929	19956	19977	19978	20005	21130	21155	21176	21180	21205	22392	22421	22446	22450	22476	23741	23767	23793	23797	23826
		S/T	0.46	0.54	0.61	0.61	0.69	0.48	0.57	0.65	0.65	0.74	0.51	0.60	0.68	0.68	0.78	0.54	0.64	0.72	0.72	0.83
		PI	1.48	1.48	1.48	1.48	1.48	1.57	1.57	1.57	1.57	1.57	1.66	1.66	1.67	1.67	1.67	1.76	1.76	1.77	1.77	1.77
	95°F (35°C)	TC	21010	21038	21061	21062	21090	22276	22302	22324	22329	22355	23607	23638	23664	23668	23695	25029	25057	25084	25088	25119
		S/T	0.46	0.54	0.61	0.61	0.69	0.48	0.57	0.65	0.65	0.74	0.51	0.60	0.68	0.68	0.78	0.54	0.64	0.72	0.72	0.83
		PI	2.18	2.19	2.19	2.19	2.19	2.31	2.32	2.32	2.32	2.32	2.45	2.46	2.46	2.46	2.46	2.60	2.60	2.61	2.61	2.61
	104°F (40°C)	TC	19191	19216	19237	19238	19264	20347	20371	20391	20395	20420	21563	21591	21615	21619	21643	22862	22887	22912	22915	22944
		S/T	0.47	0.55	0.62	0.62	0.71	0.50	0.58	0.66	0.66	0.75	0.53	0.62	0.70	0.70	0.80	0.56	0.65	0.74	0.74	0.85
		PI	2.17	2.17	2.18	2.18	2.18	2.30	2.31	2.31	2.31	2.31	2.44	2.44	2.45	2.45	2.45	2.59	2.59	2.59	2.59	2.60
110°F (43°C)	TC	18099	18123	18143	18144	18168	19190	19213	19232	19235	19258	20336	20363	20385	20389	20412	21562	21585	21609	21612	21639	
	S/T	0.49	0.57	0.65	0.65	0.74	0.51	0.60	0.69	0.69	0.78	0.54	0.64	0.73	0.73	0.83	0.58	0.68	0.77	0.77	0.88	
	PI	2.17	2.17	2.17	2.17	2.17	2.30	2.30	2.30	2.30	2.30	2.43	2.44	2.44	2.44	2.44	2.58	2.58	2.59	2.59	2.59	
115°F (46°C)	TC	14845	14865	14881	14882	14902	15740	15758	15774	15777	15796	16680	16702	16720	16723	16742	17685	17704	17724	17726	17748	
	S/T	0.49	0.58	0.65	0.65	0.75	0.52	0.61	0.69	0.69	0.79	0.55	0.65	0.74	0.74	0.84	0.58	0.69	0.78	0.78	0.89	
	PI	1.78	1.78	1.78	1.78	1.78	1.88	1.89	1.89	1.89	1.89	2.00	2.00	2.00	2.00	2.00	2.12	2.12	2.12	2.12	2.12	
122°F (50°C)	TC	10506	10520	10532	10532	10546	11139	11153	11164	11166	11179	11805	11820	11833	11836	11849	12516	12530	12543	12545	12561	
	S/T	0.50	0.59	0.67	0.67	0.76	0.53	0.62	0.71	0.71	0.81	0.56	0.66	0.75	0.75	0.86	0.60	0.70	0.80	0.80	0.91	
	PI	1.26	1.26	1.26	1.26	1.26	1.33	1.34	1.34	1.34	1.34	1.41	1.42	1.42	1.42	1.42	1.50	1.50	1.50	1.50	1.50	

S/T:Sensible Cooling Capacity Ratio

PI:Power Input(kW)

24MUC0-HE-SYS-B Expanded Cooling @ 694 CFM

CFM	OD DB (°F)	ID WB ID DB	60.8°F (16.0°C)					64.4°F (18.0°C)					67°F (19.4°C)					71.6°F (22.0°C)				
			73.4°F	77.0°F	80.0°F	80.6°F	84.2°F	73.4°F	77.0°F	80.0°F	80.6°F	84.2°F	73.4°F	77.0°F	80.0°F	80.6°F	84.2°F	73.4°F	77.0°F	80.0°F	80.6°F	84.2°F
			23.0°C	25.0°C	26.7°C	27.0°C	29.0°C	23.0°C	25.0°C	26.7°C	27.0°C	29.0°C	23.0°C	25.0°C	26.7°C	27.0°C	29.0°C	23.0°C	25.0°C	26.7°C	27.0°C	29.0°C
694	50°F (10°C)	TC	19189	19215	19236	19237	19263	20346	20370	20390	20394	20418	21561	21589	21614	21618	21642	22861	22885	22910	22914	22942
		S/T	0.45	0.53	0.60	0.60	0.68	0.48	0.56	0.63	0.63	0.72	0.50	0.59	0.67	0.67	0.77	0.53	0.63	0.71	0.71	0.81
		PI	0.86	0.86	0.86	0.86	0.87	0.91	0.92	0.92	0.92	0.92	0.97	0.97	0.97	0.97	0.97	1.03	1.03	1.03	1.03	1.03
	59°F (15°C)	TC	19506	19532	19553	19554	19580	20681	20706	20726	20730	20755	21917	21946	21970	21974	21999	23238	23263	23288	23292	23321
		S/T	0.45	0.53	0.60	0.60	0.69	0.48	0.56	0.64	0.64	0.73	0.51	0.59	0.68	0.68	0.77	0.54	0.63	0.72	0.72	0.82
		PI	0.92	0.93	0.93	0.93	0.93	0.98	0.98	0.98	0.98	0.98	1.04	1.04	1.04	1.04	1.04	1.10	1.10	1.10	1.10	1.10
	68°F (20°C)	TC	19822	19849	19870	19871	19898	21017	21042	21063	21067	21092	22273	22302	22326	22331	22355	23615	23640	23666	23670	23699
		S/T	0.46	0.54	0.62	0.62	0.70	0.49	0.58	0.65	0.65	0.75	0.52	0.61	0.69	0.69	0.79	0.55	0.65	0.74	0.74	0.84
		PI	0.99	0.99	0.99	0.99	0.99	1.05	1.05	1.05	1.05	1.05	1.11	1.11	1.11	1.11	1.11	1.17	1.18	1.18	1.18	1.18
	77°F (25°C)	TC	20139	20166	20188	20189	20216	21352	21378	21399	21403	21429	22628	22658	22683	22687	22712	23992	24018	24044	24048	24077
		S/T	0.47	0.55	0.63	0.63	0.71	0.50	0.58	0.66	0.66	0.76	0.53	0.62	0.70	0.70	0.80	0.56	0.66	0.74	0.74	0.85
		PI	1.05	1.05	1.05	1.05	1.05	1.11	1.11	1.11	1.11	1.12	1.18	1.18	1.18	1.18	1.18	1.25	1.25	1.25	1.25	1.25
	82°F (27.8°C)	TC	20492	20520	20542	20543	20570	21727	21753	21774	21778	21804	23025	23055	23081	23085	23111	24412	24439	24465	24469	24500
		S/T	0.47	0.56	0.63	0.63	0.72	0.50	0.59	0.67	0.67	0.77	0.53	0.63	0.71	0.71	0.81	0.57	0.66	0.75	0.75	0.86
		PI	1.23	1.23	1.23	1.23	1.23	1.30	1.30	1.31	1.31	1.31	1.38	1.38	1.38	1.38	1.39	1.46	1.47	1.47	1.47	1.47
	86°F (30°C)	TC	20998	21026	21049	21050	21078	22264	22290	22312	22316	22343	23594	23624	23651	23655	23682	25015	25043	25070	25074	25105
		S/T	0.48	0.56	0.64	0.64	0.73	0.51	0.60	0.68	0.68	0.77	0.54	0.63	0.72	0.72	0.82	0.57	0.67	0.76	0.76	0.87
		PI	1.56	1.56	1.56	1.56	1.56	1.65	1.65	1.66	1.66	1.66	1.75	1.75	1.76	1.76	1.76	1.86	1.86	1.86	1.86	1.86
	95°F (35°C)	TC	22137	22167	22191	22192	22222	23471	23499	23522	23527	23555	24874	24906	24934	24938	24966	26372	26401	26430	26434	26467
		S/T	0.48	0.56	0.64	0.64	0.73	0.51	0.60	0.68	0.68	0.77	0.54	0.63	0.72	0.72	0.82	0.57	0.67	0.76	0.76	0.87
		PI	2.30	2.30	2.31	2.31	2.31	2.44	2.44	2.44	2.44	2.45	2.58	2.59	2.59	2.59	2.59	2.74	2.74	2.75	2.75	2.75
	104°F (40°C)	TC	20220	20248	20269	20270	20298	21439	21464	21486	21490	21515	22720	22749	22775	22779	22804	24089	24115	24141	24145	24175
		S/T	0.49	0.58	0.66	0.66	0.75	0.52	0.61	0.70	0.70	0.79	0.55	0.65	0.74	0.74	0.84	0.59	0.69	0.78	0.78	0.89
		PI	2.29	2.29	2.29	2.29	2.30	2.43	2.43	2.43	2.43	2.44	2.57	2.57	2.58	2.58	2.58	2.73	2.73	2.73	2.73	2.74
110°F (43°C)	TC	19070	19096	19117	19117	19143	20220	20244	20264	20268	20292	21428	21455	21479	21483	21507	22719	22743	22768	22772	22800	
	S/T	0.51	0.60	0.68	0.68	0.78	0.54	0.64	0.72	0.72	0.82	0.57	0.67	0.77	0.77	0.87	0.61	0.71	0.81	0.81	0.93	
	PI	2.28	2.28	2.29	2.29	2.29	2.42	2.42	2.42	2.42	2.43	2.56	2.57	2.57	2.57	2.57	2.72	2.72	2.72	2.72	2.73	
115°F (46°C)	TC	15642	15663	15680	15680	15701	16584	16604	16620	16624	16643	17575	17598	17618	17621	17640	18634	18654	18675	18678	18701	
	S/T	0.52	0.61	0.69	0.69	0.79	0.55	0.64	0.73	0.73	0.83	0.58	0.68	0.77	0.77	0.88	0.62	0.72	0.82	0.82	0.94	
	PI	1.87	1.87	1.88	1.88	1.88	1.98	1.99	1.99	1.99	1.99	2.10	2.11	2.11	2.11	2.11	2.23	2.23	2.24	2.24	2.24	
122°F (50°C)	TC	11070	11085	11097	11097	11112	11737	11751	11763	11765	11779	12438	12455	12468	12471	12485	13188	13202	13217	13219	13235	
	S/T	0.53	0.62	0.71	0.71	0.80	0.56	0.66	0.75	0.75	0.85	0.59	0.70	0.79	0.79	0.90	0.63	0.74	0.84	0.84	0.96	
	PI	1.33	1.33	1.33	1.33	1.33	1.41	1.41	1.41	1.41	1.41	1.49	1.49	1.49	1.49	1.50	1.58	1.58	1.58	1.58	1.59	

S/T:Sensible Cooling Capacity Ratio

PI:Power Input(kW)

24MUC0-HE-SYS-B Expanded Cooling @ 759 CFM

CFM	OD DB (°F)	ID WB ID DB	60.8°F (16.0°C)					64.4°F (18.0°C)					67°F (19.4°C)					71.6°F (22.0°C)				
			73.4°F	77.0°F	80.0°F	80.6°F	84.2°F	73.4°F	77.0°F	80.0°F	80.6°F	84.2°F	73.4°F	77.0°F	80.0°F	80.6°F	84.2°F	73.4°F	77.0°F	80.0°F	80.6°F	84.2°F
			23.0°C	25.0°C	26.7°C	27.0°C	29.0°C	23.0°C	25.0°C	26.7°C	27.0°C	29.0°C	23.0°C	25.0°C	26.7°C	27.0°C	29.0°C	23.0°C	25.0°C	26.7°C	27.0°C	29.0°C
759	50°F (10°C)	TC	20219	20246	20268	20269	20296	21438	21463	21484	21489	21514	22719	22748	22773	22778	22803	24087	24114	24140	24144	24174
		S/T	0.47	0.55	0.63	0.63	0.72	0.50	0.59	0.67	0.67	0.76	0.53	0.62	0.71	0.71	0.81	0.56	0.66	0.75	0.75	0.86
		PI	0.91	0.91	0.91	0.91	0.91	0.96	0.96	0.97	0.97	0.97	1.02	1.02	1.02	1.02	1.02	1.08	1.08	1.08	1.08	1.09
	59°F (15°C)	TC	20553	20580	20602	20603	20631	21791	21817	21839	21843	21869	23093	23123	23149	23153	23179	24485	24511	24538	24542	24572
		S/T	0.48	0.56	0.63	0.63	0.72	0.50	0.59	0.67	0.67	0.77	0.53	0.63	0.71	0.71	0.81	0.57	0.66	0.75	0.75	0.86
		PI	0.97	0.97	0.98	0.98	0.98	1.03	1.03	1.03	1.03	1.04	1.09	1.10	1.10	1.10	1.10	1.16	1.16	1.16	1.16	1.16
	68°F (20°C)	TC	20886	20914	20937	20938	20966	22145	22171	22193	22197	22224	23468	23498	23524	23529	23555	24882	24909	24936	24940	24971
		S/T	0.49	0.57	0.65	0.65	0.74	0.52	0.61	0.69	0.69	0.79	0.55	0.64	0.73	0.73	0.83	0.58	0.68	0.77	0.77	0.88
		PI	1.04	1.04	1.04	1.04	1.04	1.10	1.10	1.10	1.10	1.11	1.17	1.17	1.17	1.17	1.17	1.24	1.24	1.24	1.24	1.24
	77°F (25°C)	TC	21219	21248	21271	21272	21301	22498	22525	22547	22552	22578	23842	23873	23900	23904	23931	25279	25306	25334	25338	25369
		S/T	0.49	0.58	0.66	0.66	0.75	0.52	0.61	0.70	0.70	0.80	0.56	0.65	0.74	0.74	0.84	0.59	0.69	0.78	0.78	0.89
		PI	1.10	1.11	1.11	1.11	1.11	1.17	1.17	1.17	1.17	1.18	1.24	1.24	1.24	1.24	1.25	1.32	1.32	1.32	1.32	1.32
	82°F (27.8°C)	TC	21592	21621	21644	21645	21674	22893	22920	22943	22947	22974	24260	24292	24319	24324	24351	25722	25750	25778	25782	25814
		S/T	0.50	0.59	0.67	0.67	0.76	0.53	0.62	0.71	0.71	0.81	0.56	0.66	0.75	0.75	0.85	0.60	0.70	0.79	0.79	0.91
		PI	1.29	1.30	1.30	1.30	1.30	1.37	1.37	1.38	1.38	1.38	1.46	1.46	1.46	1.46	1.46	1.54	1.54	1.55	1.55	1.55
	86°F (30°C)	TC	22125	22155	22179	22180	22210	23458	23486	23509	23514	23542	24860	24892	24920	24925	24952	26358	26386	26415	26419	26452
		S/T	0.51	0.59	0.68	0.68	0.77	0.54	0.63	0.72	0.72	0.82	0.57	0.67	0.76	0.76	0.87	0.60	0.71	0.80	0.80	0.92
		PI	1.64	1.64	1.65	1.65	1.65	1.74	1.74	1.74	1.75	1.75	1.85	1.85	1.85	1.85	1.85	1.96	1.96	1.96	1.96	1.96
	95°F (35°C)	TC	23325	23357	23382	23383	23414	24731	24760	24785	24790	24819	26208	26243	26272	26277	26306	27788	27818	27848	27852	27887
		S/T	0.51	0.59	0.68	0.68	0.77	0.54	0.63	0.72	0.72	0.82	0.57	0.67	0.76	0.76	0.87	0.60	0.71	0.80	0.80	0.92
		PI	2.42	2.43	2.43	2.43	2.43	2.57	2.57	2.58	2.58	2.58	2.72	2.73	2.73	2.73	2.73	2.89	2.89	2.89	2.89	2.90
	104°F (40°C)	TC	21306	21334	21357	21358	21387	22590	22616	22639	22643	22670	23939	23970	23997	24001	24028	25381	25409	25437	25441	25472
		S/T	0.52	0.61	0.69	0.69	0.79	0.55	0.65	0.73	0.73	0.84	0.58	0.68	0.78	0.78	0.89	0.62	0.73	0.82	0.83	0.94
		PI	2.41	2.41	2.42	2.42	2.42	2.56	2.56	2.56	2.56	2.57	2.71	2.71	2.72	2.72	2.72	2.87	2.88	2.88	2.88	2.88
110°F (43°C)	TC	20094	20121	20142	20143	20170	21305	21330	21351	21355	21381	22577	22607	22632	22636	22661	23938	23964	23990	23994	24024	
	S/T	0.54	0.63	0.72	0.72	0.82	0.57	0.67	0.76	0.76	0.87	0.61	0.71	0.81	0.81	0.92	0.64	0.75	0.86	0.86	0.97	
	PI	2.40	2.41	2.41	2.41	2.41	2.55	2.55	2.55	2.55	2.56	2.70	2.70	2.71	2.71	2.71	2.86	2.87	2.87	2.87	2.87	
115°F (46°C)	TC	16481	16503	16521	16522	16544	17474	17495	17512	17516	17536	18518	18542	18563	18566	18587	19634	19655	19677	19680	19704	
	S/T	0.54	0.64	0.73	0.73	0.83	0.58	0.68	0.77	0.77	0.88	0.61	0.72	0.82	0.82	0.93	0.65	0.76	0.87	0.87	0.99	
	PI	1.97	1.98	1.98	1.98	1.98	2.09	2.09	2.10	2.10	2.10	2.22	2.22	2.22	2.22	2.22	2.35	2.35	2.35	2.36	2.36	
122°F (50°C)	TC	11664	11680	11692	11693	11709	12367	12382	12394	12396	12411	13106	13123	13138	13140	13155	13896	13911	13926	13928	13945	
	S/T	0.56	0.65	0.74	0.74	0.85	0.59	0.69	0.79	0.79	0.90	0.63	0.73	0.84	0.84	0.95	0.66	0.78	0.89	0.89	1.00	
	PI	1.40	1.40	1.40	1.40	1.40	1.48	1.48	1.48	1.48	1.49	1.57	1.57	1.57	1.57	1.58	1.66	1.67	1.67	1.67	1.67	

S/T:Sensible Cooling Capacity Ratio

PI:Power Input(kW)

24MUC0-HE-SYS-B Expanded Cooling @ 824 CFM

CFM	OD DB (°F)	ID WB ID DB	60.8°F (16.0°C)					64.4°F (18.0°C)					67°F (19.4°C)					71.6°F (22.0°C)				
			73.4°F	77.0°F	80.0°F	80.6°F	84.2°F	73.4°F	77.0°F	80.0°F	80.6°F	84.2°F	73.4°F	77.0°F	80.0°F	80.6°F	84.2°F	73.4°F	77.0°F	80.0°F	80.6°F	84.2°F
			23.0°C	25.0°C	26.7°C	27.0°C	29.0°C	23.0°C	25.0°C	26.7°C	27.0°C	29.0°C	23.0°C	25.0°C	26.7°C	27.0°C	29.0°C	23.0°C	25.0°C	26.7°C	27.0°C	29.0°C
824	50°F (10°C)	TC	21304	21333	21356	21357	21386	22588	22615	22637	22642	22669	23938	23969	23995	24000	24027	25380	25407	25435	25439	25471
		S/T	0.50	0.58	0.66	0.66	0.76	0.53	0.62	0.70	0.70	0.80	0.56	0.66	0.75	0.75	0.85	0.59	0.70	0.79	0.79	0.90
		PI	0.96	0.96	0.96	0.96	0.96	1.01	1.02	1.02	1.02	1.02	1.08	1.08	1.08	1.08	1.08	1.14	1.14	1.14	1.14	1.14
	59°F (15°C)	TC	21656	21685	21708	21709	21738	22961	22988	23010	23015	23042	24332	24364	24391	24396	24423	25798	25826	25855	25859	25891
		S/T	0.50	0.59	0.67	0.67	0.76	0.53	0.62	0.71	0.71	0.81	0.56	0.66	0.75	0.75	0.86	0.60	0.70	0.80	0.80	0.91
		PI	1.03	1.03	1.03	1.03	1.03	1.09	1.09	1.09	1.09	1.09	1.15	1.15	1.16	1.16	1.16	1.22	1.22	1.22	1.22	1.23
	68°F (20°C)	TC	22007	22036	22060	22061	22091	23333	23361	23384	23388	23416	24727	24759	24787	24791	24819	26217	26245	26274	26278	26311
		S/T	0.51	0.60	0.69	0.69	0.78	0.54	0.64	0.73	0.73	0.83	0.58	0.68	0.77	0.77	0.88	0.61	0.72	0.82	0.82	0.93
		PI	1.09	1.10	1.10	1.10	1.10	1.16	1.16	1.16	1.16	1.16	1.23	1.23	1.23	1.23	1.23	1.30	1.31	1.31	1.31	1.31
	77°F (25°C)	TC	22358	22388	22412	22413	22444	23706	23734	23757	23762	23790	25122	25154	25183	25187	25215	26635	26664	26693	26698	26731
		S/T	0.52	0.61	0.69	0.69	0.79	0.55	0.65	0.74	0.74	0.84	0.59	0.69	0.78	0.78	0.89	0.62	0.73	0.83	0.83	0.94
		PI	1.16	1.17	1.17	1.17	1.17	1.23	1.24	1.24	1.24	1.24	1.31	1.31	1.31	1.31	1.31	1.39	1.39	1.39	1.39	1.39
	82°F (27.8°C)	TC	22750	22781	22805	22806	22837	24121	24150	24174	24178	24207	25562	25596	25624	25629	25657	27103	27132	27162	27166	27200
		S/T	0.53	0.62	0.70	0.70	0.80	0.56	0.66	0.75	0.75	0.85	0.59	0.70	0.79	0.79	0.90	0.63	0.74	0.84	0.84	0.95
		PI	1.36	1.37	1.37	1.37	1.37	1.45	1.45	1.45	1.45	1.45	1.53	1.54	1.54	1.54	1.54	1.63	1.63	1.63	1.63	1.63
	86°F (30°C)	TC	23312	23344	23369	23370	23401	24717	24746	24771	24776	24805	26194	26228	26257	26262	26291	27772	27802	27833	27837	27872
		S/T	0.53	0.63	0.71	0.71	0.81	0.57	0.66	0.75	0.75	0.86	0.60	0.70	0.80	0.80	0.91	0.64	0.75	0.85	0.85	0.97
		PI	1.73	1.73	1.73	1.73	1.74	1.83	1.84	1.84	1.84	1.84	1.94	1.95	1.95	1.95	1.95	2.06	2.06	2.07	2.07	2.07
	95°F (35°C)	TC	24577	24610	24636	24638	24671	26058	26089	26115	26120	26151	27615	27651	27682	27687	27718	29279	29311	29342	29347	29384
		S/T	0.53	0.63	0.71	0.71	0.81	0.57	0.66	0.75	0.75	0.86	0.60	0.70	0.80	0.80	0.91	0.64	0.75	0.85	0.85	0.97
		PI	2.55	2.56	2.56	2.56	2.56	2.71	2.71	2.71	2.71	2.72	2.87	2.87	2.88	2.88	2.88	3.04	3.05	3.05	3.05	3.05
	104°F (40°C)	TC	22449	22479	22503	22504	22535	23802	23830	23853	23858	23886	25224	25256	25285	25289	25318	26743	26773	26802	26806	26839
		S/T	0.55	0.64	0.73	0.73	0.83	0.58	0.68	0.77	0.77	0.88	0.62	0.72	0.82	0.82	0.93	0.65	0.76	0.87	0.87	0.99
		PI	2.54	2.54	2.55	2.55	2.55	2.69	2.70	2.70	2.70	2.70	2.85	2.86	2.86	2.86	2.87	3.03	3.03	3.03	3.03	3.04
110°F (43°C)	TC	21172	21200	21223	21224	21253	22448	22474	22497	22501	22528	23789	23820	23846	23851	23878	25222	25250	25277	25281	25313	
	S/T	0.57	0.67	0.76	0.76	0.86	0.60	0.71	0.80	0.80	0.91	0.64	0.75	0.85	0.85	0.97	0.68	0.79	0.90	0.90	1.00	
	PI	2.53	2.54	2.54	2.54	2.54	2.69	2.69	2.69	2.69	2.70	2.85	2.85	2.85	2.85	2.86	3.02	3.02	3.02	3.02	3.03	
115°F (46°C)	TC	17365	17389	17407	17408	17432	18412	18434	18452	18456	18477	19512	19537	19559	19563	19585	20688	20710	20733	20736	20762	
	S/T	0.57	0.67	0.77	0.77	0.87	0.61	0.71	0.81	0.81	0.92	0.65	0.76	0.86	0.86	0.98	0.68	0.80	0.91	0.91	1.00	
	PI	2.08	2.08	2.08	2.08	2.09	2.20	2.21	2.21	2.21	2.21	2.34	2.34	2.34	2.34	2.34	2.48	2.48	2.48	2.48	2.48	
122°F (50°C)	TC	12290	12307	12320	12320	12337	13031	13046	13059	13062	13077	13809	13827	13842	13845	13861	14641	14657	14673	14675	14694	
	S/T	0.59	0.69	0.78	0.78	0.89	0.62	0.73	0.83	0.83	0.95	0.66	0.77	0.88	0.88	1.00	0.70	0.82	0.93	0.93	1.00	
	PI	1.47	1.47	1.48	1.48	1.48	1.56	1.56	1.56	1.56	1.57	1.65	1.66	1.66	1.66	1.66	1.75	1.76	1.76	1.76	1.76	

S/T:Sensible Cooling Capacity Ratio

PI:Power Input(kW)

24MUC0-HE-SYS-B Expanded Heating @ 629 CFM

CFM	HEATING PERFORMANCE AT INDOOR DRY BULB TEMPERATURE										
	OD DB (°F)	TC : Total Heating Capacity(BTU/hr)					PI : Power Input(kW)				
		Indoor Conditions(DB °F)					Indoor Conditions(DB °F)				
		60.8°F	68°F	70°F	71.6°F	75.2°F	60.8°F	68°F	70°F	71.6°F	75.2°F
629	-13°F (-25°C)	13042	12781	12717	12483	12370	2.27	2.29	2.29	2.30	2.30
	-4°F (-20°C)	15142	14839	14765	14493	14362	2.57	2.59	2.60	2.60	2.61
	0°F (-17.8°C)	16176	15853	15773	15483	15343	2.68	2.70	2.71	2.72	2.73
	5°F (-15°C)	17469	17120	17034	16720	16570	2.83	2.85	2.85	2.86	2.87
	14°F (-10°C)	19255	18870	18775	18429	18263	2.53	2.55	2.55	2.56	2.57
	17°F (-8.3°C)	19850	19453	19356	18999	18828	2.43	2.45	2.45	2.46	2.47
	22°F (-5.6°C)	20334	19927	19827	19462	19287	2.43	2.45	2.45	2.46	2.47
	27°F (-2.7°C)	20817	20401	20299	19925	19745	2.42	2.44	2.45	2.45	2.46
	32°F (0.0°C)	21301	20875	20770	20388	20204	2.42	2.44	2.45	2.45	2.46
	35°F (1.7°C)	21591	21159	21053	20665	20479	2.42	2.44	2.45	2.45	2.46
	37°F (2.8°C)	22695	22241	22130	21722	21527	2.43	2.45	2.46	2.46	2.47
	42°F (5.6°C)	25456	24947	24822	24365	24145	2.46	2.48	2.49	2.49	2.50
	44.6°F (7.0°C)	26560	26029	25899	25422	25193	2.47	2.49	2.50	2.50	2.51
	47°F (8.3°C)	28217	27652	27514	27007	26764	2.49	2.51	2.52	2.52	2.53
	52°F (11.1°C)	25888	25370	25243	24778	24555	2.43	2.45	2.46	2.46	2.47
	57°F (13.9°C)	23559	23088	22972	22549	22346	2.37	2.39	2.40	2.40	2.41
	59°F (15°C)	22628	22175	22064	21657	21463	2.35	2.37	2.37	2.38	2.39
62°F (16.7°C)	21230	20806	20702	20320	20137	2.32	2.33	2.34	2.34	2.35	
64.4°F (18°C)	20299	19893	19793	19429	19254	2.29	2.31	2.32	2.32	2.33	

24MUC0-HE-SYS-B Expanded Heating @ 694 CFM

CFM	HEATING PERFORMANCE AT INDOOR DRY BULB TEMPERATURE										
	OD DB (°F)	TC : Total Heating Capacity(BTU/hr)					PI : Power Input(kW)				
		Indoor Conditions(DB °F)					Indoor Conditions(DB °F)				
		60.8°F	68°F	70°F	71.6°F	75.2°F	60.8°F	68°F	70°F	71.6°F	75.2°F
694	-13°F (-25°C)	13742	13467	13400	13249	13130	2.29	2.31	2.31	2.32	2.33
	-4°F (-20°C)	15954	15635	15557	15382	15244	2.60	2.62	2.62	2.63	2.64
	0°F (-17.8°C)	17044	16703	16620	16433	16285	2.71	2.73	2.74	2.74	2.75
	5°F (-15°C)	18406	18038	17948	17746	17587	2.85	2.88	2.88	2.89	2.90
	14°F (-10°C)	20288	19882	19783	19561	19384	2.55	2.57	2.58	2.58	2.60
	17°F (-8.3°C)	20915	20497	20395	20165	19984	2.45	2.47	2.48	2.48	2.49
	22°F (-5.6°C)	21425	20996	20891	20656	20471	2.45	2.47	2.48	2.48	2.49
	27°F (-2.7°C)	21934	21496	21388	21148	20957	2.45	2.47	2.47	2.48	2.49
	32°F (0.0°C)	22444	21995	21885	21639	21444	2.45	2.47	2.47	2.48	2.49
	35°F (1.7°C)	22750	22295	22183	21934	21736	2.45	2.46	2.47	2.47	2.48
	37°F (2.8°C)	23913	23435	23318	23056	22848	2.46	2.48	2.48	2.49	2.50
	42°F (5.6°C)	26822	26286	26154	25860	25627	2.49	2.51	2.51	2.52	2.53
	44.6°F (7.0°C)	27986	27426	27289	26982	26739	2.50	2.52	2.52	2.53	2.54
	47°F (8.3°C)	29731	29136	28991	28665	28407	2.52	2.54	2.54	2.55	2.56
	52°F (11.1°C)	27277	26732	26598	26299	26062	2.46	2.48	2.48	2.49	2.50
	57°F (13.9°C)	24823	24327	24205	23933	23718	2.40	2.42	2.42	2.43	2.44
	59°F (15°C)	23842	23365	23248	22987	22780	2.37	2.39	2.40	2.40	2.41
62°F (16.7°C)	22370	21922	21813	21567	21373	2.34	2.36	2.36	2.37	2.38	
64.4°F (18°C)	21388	20960	20856	20621	20435	2.32	2.33	2.34	2.34	2.35	

24MUC0-HE-SYS-B Expanded Heating @ 759 CFM

CFM	HEATING PERFORMANCE AT INDOOR DRY BULB TEMPERATURE										
	OD DB (°F)	TC : Total Heating Capacity(BTU/hr)					PI : Power Input(kW)				
		Indoor Conditions(DB °F)					Indoor Conditions(DB °F)				
		60.8°F	68°F	70°F	71.6°F	75.2°F	60.8°F	68°F	70°F	71.6°F	75.2°F
759	-13°F (-25°C)	14479	14190	14119	14062	13936	2.31	2.33	2.34	2.34	2.35
	-4°F (-20°C)	16811	16474	16392	16326	16179	2.62	2.64	2.65	2.65	2.66
	0°F (-17.8°C)	17959	17600	17512	17442	17285	2.74	2.76	2.77	2.77	2.78
	5°F (-15°C)	19394	19006	18911	18836	18666	2.88	2.91	2.91	2.92	2.93
	14°F (-10°C)	21377	20949	20844	20761	20574	2.58	2.60	2.61	2.61	2.62
	17°F (-8.3°C)	22038	21597	21489	21403	21210	2.48	2.50	2.50	2.51	2.52
	22°F (-5.6°C)	22575	22123	22012	21924	21727	2.48	2.50	2.50	2.51	2.52
	27°F (-2.7°C)	23111	22649	22536	22446	22244	2.47	2.49	2.50	2.50	2.51
	32°F (0.0°C)	23648	23175	23059	22967	22761	2.47	2.49	2.50	2.50	2.51
	35°F (1.7°C)	23970	23491	23374	23280	23071	2.47	2.49	2.49	2.50	2.51
	37°F (2.8°C)	25196	24692	24569	24471	24250	2.48	2.50	2.51	2.51	2.52
	42°F (5.6°C)	28261	27696	27558	27447	27200	2.51	2.53	2.54	2.54	2.55
	44.6°F (7.0°C)	29487	28898	28753	28638	28380	2.52	2.54	2.55	2.55	2.57
	47°F (8.3°C)	31326	30700	30546	30424	30150	2.54	2.56	2.57	2.57	2.58
	52°F (11.1°C)	28741	28166	28025	27913	27662	2.48	2.50	2.51	2.51	2.52
	57°F (13.9°C)	26155	25632	25504	25402	25173	2.42	2.44	2.45	2.45	2.46
	59°F (15°C)	25121	24619	24496	24398	24178	2.40	2.42	2.42	2.43	2.44
62°F (16.7°C)	23570	23099	22983	22891	22685	2.36	2.38	2.39	2.39	2.40	
64.4°F (18°C)	22536	22085	21975	21887	21690	2.34	2.36	2.36	2.37	2.38	

24MUC0-HE-SYS-B Expanded Heating @ 824 CFM

CFM	HEATING PERFORMANCE AT INDOOR DRY BULB TEMPERATURE										
	OD DB (°F)	TC : Total Heating Capacity(BTU/hr)					PI : Power Input(kW)				
		Indoor Conditions(DB °F)					Indoor Conditions(DB °F)				
		60.8°F	68°F	70°F	71.6°F	75.2°F	60.8°F	68°F	70°F	71.6°F	75.2°F
824	-13°F (-25°C)	15256	14951	14876	14817	14683	2.34	2.36	2.36	2.37	2.38
	-4°F (-20°C)	17713	17358	17272	17202	17048	2.65	2.67	2.68	2.68	2.69
	0°F (-17.8°C)	18923	18544	18451	18378	18212	2.77	2.79	2.79	2.80	2.81
	5°F (-15°C)	20435	20026	19926	19846	19668	2.91	2.94	2.94	2.95	2.96
	14°F (-10°C)	22524	22073	21963	21875	21678	2.61	2.63	2.63	2.64	2.65
	17°F (-8.3°C)	23220	22756	22642	22551	22349	2.50	2.52	2.53	2.53	2.54
	22°F (-5.6°C)	23786	23310	23194	23101	22893	2.50	2.52	2.53	2.53	2.54
	27°F (-2.7°C)	24352	23865	23745	23650	23437	2.50	2.52	2.52	2.53	2.54
	32°F (0.0°C)	24917	24419	24297	24200	23982	2.50	2.52	2.52	2.53	2.54
	35°F (1.7°C)	25257	24752	24628	24529	24309	2.49	2.51	2.52	2.53	2.54
	37°F (2.8°C)	26548	26018	25887	25784	25552	2.51	2.53	2.53	2.54	2.55
	42°F (5.6°C)	29778	29182	29036	28920	28660	2.54	2.56	2.56	2.57	2.58
	44.6°F (7.0°C)	31070	30448	30296	30175	29903	2.55	2.57	2.58	2.58	2.59
	47°F (8.3°C)	33007	32347	32185	32057	31768	2.57	2.59	2.59	2.60	2.61
	52°F (11.1°C)	30283	29677	29529	29411	29146	2.51	2.53	2.53	2.54	2.55
	57°F (13.9°C)	27559	27008	26873	26765	26524	2.45	2.47	2.47	2.48	2.49
	59°F (15°C)	26469	25940	25810	25707	25476	2.42	2.44	2.45	2.45	2.46
62°F (16.7°C)	24835	24338	24216	24120	23902	2.39	2.41	2.41	2.42	2.43	
64.4°F (18°C)	23745	23270	23154	23061	22854	2.36	2.38	2.39	2.39	2.40	

30MUC0-HE-SYS-B Expanded Cooling @ 712 CFM

CFM	OD DB (°F)	ID WB ID DB	60.8°F (16.0°C)					64.4°F (18.0°C)					67°F (19.4°C)					71.6°F (22.0°C)				
			73.4°F	77.0°F	80.0°F	80.6°F	84.2°F	73.4°F	77.0°F	80.0°F	80.6°F	84.2°F	73.4°F	77.0°F	80.0°F	80.6°F	84.2°F	73.4°F	77.0°F	80.0°F	80.6°F	84.2°F
			23.0°C	25.0°C	26.7°C	27.0°C	29.0°C	23.0°C	25.0°C	26.7°C	27.0°C	29.0°C	23.0°C	25.0°C	26.7°C	27.0°C	29.0°C	23.0°C	25.0°C	26.7°C	27.0°C	29.0°C
712	50°F (10°C)	TC	24431	24464	24490	24491	24524	25903	25934	25959	25964	25995	27451	27486	27517	27522	27553	29104	29136	29168	29172	29209
		S/T	0.40	0.47	0.54	0.54	0.61	0.43	0.50	0.57	0.57	0.65	0.45	0.53	0.60	0.60	0.69	0.48	0.56	0.64	0.64	0.73
		PI	1.25	1.26	1.26	1.26	1.26	1.33	1.33	1.33	1.33	1.34	1.41	1.41	1.41	1.41	1.42	1.50	1.50	1.50	1.50	1.50
	59°F (15°C)	TC	25319	25353	25380	25381	25415	26844	26876	26903	26908	26940	28448	28485	28517	28522	28554	30162	30195	30228	30233	30270
		S/T	0.41	0.48	0.54	0.54	0.62	0.43	0.50	0.57	0.57	0.65	0.46	0.53	0.61	0.61	0.69	0.48	0.57	0.64	0.64	0.73
		PI	1.31	1.32	1.32	1.32	1.32	1.39	1.40	1.40	1.40	1.40	1.48	1.48	1.48	1.48	1.48	1.57	1.57	1.57	1.57	1.57
	68°F (20°C)	TC	26207	26242	26270	26271	26307	27786	27819	27846	27852	27885	29446	29484	29517	29523	29556	31220	31254	31288	31293	31332
		S/T	0.42	0.49	0.55	0.55	0.63	0.44	0.52	0.59	0.59	0.67	0.47	0.55	0.62	0.62	0.71	0.50	0.58	0.66	0.66	0.75
		PI	1.37	1.38	1.38	1.38	1.38	1.46	1.46	1.46	1.46	1.46	1.54	1.55	1.55	1.55	1.55	1.64	1.64	1.64	1.64	1.64
	77°F (25°C)	TC	27095	27131	27160	27162	27198	28728	28762	28790	28796	28830	30444	30483	30517	30523	30557	32278	32313	32348	32353	32394
		S/T	0.42	0.49	0.56	0.56	0.64	0.45	0.52	0.60	0.60	0.68	0.47	0.56	0.63	0.63	0.72	0.50	0.59	0.67	0.67	0.76
		PI	1.43	1.43	1.44	1.44	1.44	1.52	1.52	1.52	1.52	1.52	1.61	1.61	1.61	1.61	1.62	1.71	1.71	1.71	1.71	1.71
	82°F (27.8°C)	TC	27051	27088	27117	27118	27155	28681	28715	28744	28749	28784	30395	30434	30468	30474	30508	32226	32261	32296	32301	32342
		S/T	0.43	0.50	0.57	0.57	0.65	0.45	0.53	0.60	0.60	0.69	0.48	0.56	0.64	0.64	0.73	0.51	0.60	0.68	0.68	0.77
		PI	1.56	1.56	1.56	1.56	1.56	1.65	1.65	1.65	1.65	1.66	1.75	1.75	1.75	1.75	1.75	1.85	1.86	1.86	1.86	1.86
	86°F (30°C)	TC	26339	26374	26403	26404	26440	27926	27959	27987	27993	28026	29595	29633	29666	29672	29705	31378	31412	31446	31451	31490
		S/T	0.43	0.51	0.58	0.58	0.66	0.46	0.54	0.61	0.61	0.70	0.49	0.57	0.65	0.65	0.74	0.51	0.60	0.69	0.69	0.78
		PI	1.77	1.77	1.77	1.77	1.78	1.87	1.88	1.88	1.88	1.88	1.99	1.99	1.99	1.99	1.99	2.11	2.11	2.11	2.11	2.11
	95°F (35°C)	TC	24737	24770	24796	24798	24831	26227	26258	26284	26289	26321	27794	27830	27861	27867	27898	29469	29501	29533	29538	29574
		S/T	0.43	0.51	0.58	0.58	0.66	0.46	0.54	0.61	0.61	0.70	0.49	0.57	0.65	0.65	0.74	0.51	0.60	0.69	0.69	0.78
		PI	2.25	2.25	2.25	2.25	2.25	2.38	2.38	2.39	2.39	2.39	2.52	2.53	2.53	2.53	2.53	2.68	2.68	2.68	2.68	2.69
	104°F (40°C)	TC	22623	22653	22677	22678	22709	23986	24014	24038	24043	24071	25419	25452	25480	25485	25514	26951	26980	27009	27013	27047
		S/T	0.44	0.52	0.59	0.59	0.67	0.47	0.55	0.63	0.63	0.71	0.50	0.58	0.66	0.66	0.76	0.53	0.62	0.70	0.70	0.80
		PI	2.35	2.35	2.36	2.36	2.36	2.49	2.49	2.50	2.50	2.50	2.64	2.64	2.65	2.65	2.65	2.80	2.80	2.81	2.81	2.81
110°F (43°C)	TC	21354	21383	21406	21407	21436	22641	22668	22690	22695	22722	23994	24025	24052	24056	24083	25439	25467	25495	25499	25531	
	S/T	0.46	0.54	0.61	0.61	0.70	0.49	0.57	0.65	0.65	0.74	0.52	0.61	0.69	0.69	0.78	0.55	0.64	0.73	0.73	0.83	
	PI	2.41	2.42	2.42	2.42	2.42	2.56	2.56	2.56	2.56	2.57	2.71	2.71	2.72	2.72	2.72	2.87	2.88	2.88	2.88	2.88	
115°F (46°C)	TC	16550	16573	16590	16591	16614	17548	17569	17586	17589	17610	18596	18620	18641	18645	18665	19717	19738	19760	19763	19787	
	S/T	0.46	0.55	0.62	0.62	0.71	0.49	0.58	0.66	0.66	0.75	0.52	0.61	0.70	0.70	0.79	0.55	0.65	0.74	0.74	0.84	
	PI	1.87	1.87	1.87	1.87	1.87	1.98	1.98	1.98	1.98	1.99	2.10	2.10	2.10	2.10	2.11	2.22	2.23	2.23	2.23	2.23	
122°F (50°C)	TC	10145	10159	10170	10170	10184	10757	10769	10780	10782	10795	11399	11414	11427	11429	11442	12086	12099	12112	12114	12129	
	S/T	0.48	0.56	0.63	0.63	0.72	0.50	0.59	0.67	0.67	0.77	0.53	0.63	0.71	0.71	0.81	0.57	0.66	0.75	0.75	0.86	
	PI	1.14	1.14	1.14	1.14	1.14	1.21	1.21	1.21	1.21	1.21	1.28	1.28	1.28	1.28	1.28	1.36	1.36	1.36	1.36	1.36	

S/T:Sensible Cooling Capacity Ratio

PI:Power Input(kW)

30MUC0-HE-SYS-B Expanded Cooling @ 806 CFM

CFM	OD DB (°F)	ID WB ID DB	60.8°F (16.0°C)					64.4°F (18.0°C)					67°F (19.4°C)					71.6°F (22.0°C)				
			73.4°F	77.0°F	80.0°F	80.6°F	84.2°F	73.4°F	77.0°F	80.0°F	80.6°F	84.2°F	73.4°F	77.0°F	80.0°F	80.6°F	84.2°F	73.4°F	77.0°F	80.0°F	80.6°F	84.2°F
			23.0°C	25.0°C	26.7°C	27.0°C	29.0°C	23.0°C	25.0°C	26.7°C	27.0°C	29.0°C	23.0°C	25.0°C	26.7°C	27.0°C	29.0°C	23.0°C	25.0°C	26.7°C	27.0°C	29.0°C
806	50°F (10°C)	TC	26216	26251	26279	26281	26316	27796	27829	27856	27862	27895	29456	29495	29527	29533	29566	31231	31265	31299	31304	31343
		S/T	0.43	0.51	0.58	0.58	0.66	0.46	0.54	0.61	0.61	0.70	0.49	0.57	0.65	0.65	0.74	0.52	0.60	0.69	0.69	0.78
		PI	1.35	1.35	1.35	1.35	1.35	1.43	1.43	1.43	1.43	1.43	1.51	1.52	1.52	1.52	1.52	1.60	1.61	1.61	1.61	1.61
	59°F (15°C)	TC	27169	27205	27235	27236	27273	28806	28840	28869	28874	28909	30527	30567	30601	30606	30641	32366	32402	32437	32442	32482
		S/T	0.43	0.51	0.58	0.58	0.66	0.46	0.54	0.61	0.61	0.70	0.49	0.57	0.65	0.65	0.74	0.52	0.61	0.69	0.69	0.79
		PI	1.41	1.41	1.41	1.41	1.42	1.50	1.50	1.50	1.50	1.50	1.58	1.59	1.59	1.59	1.59	1.68	1.68	1.68	1.68	1.69
	68°F (20°C)	TC	28122	28159	28190	28191	28229	29816	29852	29881	29887	29923	31598	31639	31674	31680	31715	33502	33538	33574	33580	33622
		S/T	0.45	0.52	0.60	0.60	0.68	0.47	0.56	0.63	0.63	0.72	0.50	0.59	0.67	0.67	0.76	0.53	0.62	0.71	0.71	0.81
		PI	1.47	1.48	1.48	1.48	1.48	1.56	1.56	1.57	1.57	1.57	1.66	1.66	1.66	1.66	1.66	1.76	1.76	1.76	1.76	1.76
	77°F (25°C)	TC	29075	29114	29145	29146	29186	30827	30863	30894	30900	30936	32668	32711	32747	32753	32790	34637	34674	34712	34718	34761
		S/T	0.45	0.53	0.60	0.60	0.69	0.48	0.56	0.64	0.64	0.73	0.51	0.60	0.68	0.68	0.77	0.54	0.63	0.72	0.72	0.82
		PI	1.54	1.54	1.54	1.54	1.54	1.63	1.63	1.63	1.63	1.64	1.73	1.73	1.73	1.73	1.73	1.83	1.83	1.84	1.84	1.84
	82°F (27.8°C)	TC	29028	29067	29098	29099	29139	30777	30814	30844	30850	30887	32616	32658	32695	32701	32737	34581	34619	34656	34662	34705
		S/T	0.46	0.54	0.61	0.61	0.70	0.49	0.57	0.65	0.65	0.74	0.51	0.60	0.69	0.69	0.78	0.55	0.64	0.73	0.73	0.83
		PI	1.67	1.67	1.67	1.67	1.68	1.77	1.77	1.77	1.77	1.78	1.88	1.88	1.88	1.88	1.88	1.99	1.99	1.99	1.99	2.00
	86°F (30°C)	TC	28264	28302	28332	28333	28372	29967	30002	30032	30038	30074	31757	31798	31834	31840	31875	33671	33707	33744	33749	33791
		S/T	0.46	0.54	0.62	0.62	0.70	0.49	0.58	0.66	0.66	0.75	0.52	0.61	0.69	0.69	0.79	0.55	0.65	0.74	0.74	0.84
		PI	1.90	1.90	1.90	1.90	1.90	2.01	2.01	2.02	2.02	2.02	2.13	2.13	2.14	2.14	2.14	2.26	2.26	2.27	2.27	2.27
	95°F (35°C)	TC	26544	26580	26608	26610	26645	28144	28177	28205	28210	28244	29825	29864	29897	29903	29936	31622	31657	31691	31696	31735
		S/T	0.46	0.54	0.62	0.62	0.70	0.49	0.58	0.66	0.66	0.75	0.52	0.61	0.69	0.69	0.79	0.55	0.65	0.74	0.74	0.84
		PI	2.41	2.41	2.42	2.42	2.42	2.56	2.56	2.56	2.56	2.56	2.71	2.71	2.71	2.72	2.72	2.87	2.87	2.88	2.88	2.88
	104°F (40°C)	TC	24276	24308	24334	24336	24368	25739	25769	25795	25800	25830	27276	27312	27342	27347	27378	28920	28951	28983	28987	29023
		S/T	0.48	0.56	0.63	0.63	0.72	0.50	0.59	0.67	0.67	0.77	0.53	0.63	0.71	0.71	0.81	0.57	0.66	0.75	0.75	0.86
		PI	2.52	2.53	2.53	2.53	2.53	2.67	2.68	2.68	2.68	2.68	2.83	2.84	2.84	2.84	2.84	3.00	3.01	3.01	3.01	3.02
	110°F (43°C)	TC	22915	22945	22970	22971	23002	24296	24324	24348	24353	24382	25747	25781	25809	25814	25843	27298	27328	27358	27362	27396
		S/T	0.49	0.58	0.66	0.66	0.75	0.52	0.61	0.70	0.70	0.79	0.55	0.65	0.74	0.74	0.84	0.59	0.69	0.78	0.78	0.89
		PI	2.59	2.59	2.60	2.60	2.60	2.75	2.75	2.75	2.75	2.75	2.91	2.91	2.92	2.92	2.92	3.08	3.09	3.09	3.09	3.10
	115°F (46°C)	TC	17760	17784	17803	17804	17828	18830	18852	18871	18875	18897	19955	19981	20003	20007	20029	21157	21180	21203	21207	21233
		S/T	0.50	0.58	0.66	0.66	0.76	0.53	0.62	0.70	0.70	0.80	0.56	0.66	0.75	0.75	0.85	0.59	0.70	0.79	0.79	0.90
		PI	2.00	2.01	2.01	2.01	2.01	2.12	2.13	2.13	2.13	2.13	2.25	2.25	2.26	2.26	2.26	2.39	2.39	2.39	2.39	2.39
	122°F (50°C)	TC	10887	10901	10913	10913	10928	11543	11556	11568	11570	11584	12232	12248	12262	12264	12278	12969	12983	12997	12999	13016
		S/T	0.51	0.60	0.68	0.68	0.78	0.54	0.63	0.72	0.72	0.82	0.57	0.67	0.76	0.76	0.87	0.61	0.71	0.81	0.81	0.92
		PI	1.22	1.22	1.22	1.22	1.23	1.30	1.30	1.30	1.30	1.30	1.37	1.37	1.38	1.38	1.38	1.46	1.46	1.46	1.46	1.46

S/T:Sensible Cooling Capacity Ratio

PI:Power Input(kW)

30MUC0-HE-SYS-B Expanded Cooling @ 894 CFM

CFM	OD DB (°F)	ID WB ID DB	60.8°F (16.0°C)					64.4°F (18.0°C)					67°F (19.4°C)					71.6°F (22.0°C)				
			73.4°F	77.0°F	80.0°F	80.6°F	84.2°F	73.4°F	77.0°F	80.0°F	80.6°F	84.2°F	73.4°F	77.0°F	80.0°F	80.6°F	84.2°F	73.4°F	77.0°F	80.0°F	80.6°F	84.2°F
			23.0°C	25.0°C	26.7°C	27.0°C	29.0°C	23.0°C	25.0°C	26.7°C	27.0°C	29.0°C	23.0°C	25.0°C	26.7°C	27.0°C	29.0°C	23.0°C	25.0°C	26.7°C	27.0°C	29.0°C
894	50°F (10°C)	TC	28131	28169	28200	28201	28239	29827	29862	29892	29898	29933	31609	31650	31685	31691	31726	33513	33550	33586	33591	33633
		S/T	0.46	0.54	0.62	0.62	0.71	0.49	0.58	0.66	0.66	0.75	0.52	0.61	0.70	0.70	0.79	0.55	0.65	0.74	0.74	0.84
		PI	1.45	1.45	1.45	1.45	1.45	1.53	1.53	1.54	1.54	1.54	1.62	1.63	1.63	1.63	1.63	1.72	1.72	1.73	1.73	1.73
	59°F (15°C)	TC	29154	29193	29225	29226	29265	30911	30948	30978	30984	31021	32758	32800	32837	32843	32880	34731	34769	34807	34812	34856
		S/T	0.47	0.55	0.62	0.62	0.71	0.49	0.58	0.66	0.66	0.75	0.52	0.62	0.70	0.70	0.80	0.56	0.65	0.74	0.74	0.84
		PI	1.51	1.52	1.52	1.52	1.52	1.60	1.61	1.61	1.61	1.61	1.70	1.70	1.70	1.70	1.71	1.80	1.80	1.81	1.81	1.81
	68°F (20°C)	TC	30176	30217	30250	30251	30292	31995	32033	32065	32071	32109	33907	33951	33988	33995	34033	35950	35989	36028	36033	36078
		S/T	0.48	0.56	0.64	0.64	0.73	0.51	0.60	0.68	0.68	0.77	0.54	0.63	0.72	0.72	0.82	0.57	0.67	0.76	0.76	0.87
		PI	1.58	1.58	1.59	1.59	1.59	1.68	1.68	1.68	1.68	1.68	1.78	1.78	1.78	1.78	1.78	1.88	1.89	1.89	1.89	1.89
	77°F (25°C)	TC	31199	31241	31275	31276	31318	33079	33118	33151	33158	33197	35056	35101	35140	35147	35186	37168	37208	37249	37254	37301
		S/T	0.49	0.57	0.65	0.65	0.74	0.51	0.60	0.69	0.69	0.78	0.55	0.64	0.73	0.73	0.83	0.58	0.68	0.77	0.77	0.88
		PI	1.65	1.65	1.65	1.65	1.66	1.75	1.75	1.75	1.75	1.76	1.85	1.86	1.86	1.86	1.86	1.97	1.97	1.97	1.97	1.97
	82°F (27.8°C)	TC	31149	31191	31224	31226	31268	33026	33065	33098	33104	33144	34999	35045	35084	35090	35129	37108	37148	37189	37195	37241
		S/T	0.49	0.58	0.66	0.66	0.75	0.52	0.61	0.69	0.69	0.79	0.55	0.65	0.74	0.74	0.84	0.59	0.69	0.78	0.78	0.89
		PI	1.79	1.79	1.80	1.80	1.80	1.90	1.90	1.90	1.90	1.91	2.01	2.02	2.02	2.02	2.02	2.13	2.14	2.14	2.14	2.14
	86°F (30°C)	TC	30329	30370	30402	30404	30445	32157	32195	32226	32233	32271	34078	34122	34160	34166	34205	36131	36170	36210	36215	36260
		S/T	0.50	0.58	0.66	0.66	0.76	0.53	0.62	0.70	0.70	0.80	0.56	0.66	0.75	0.75	0.85	0.59	0.70	0.79	0.79	0.90
		PI	2.04	2.04	2.04	2.04	2.04	2.16	2.16	2.16	2.16	2.17	2.29	2.29	2.29	2.29	2.30	2.43	2.43	2.43	2.43	2.43
	95°F (35°C)	TC	28484	28522	28553	28554	28592	30200	30236	30266	30272	30308	32005	32046	32082	32088	32124	33933	33970	34007	34012	34054
		S/T	0.50	0.58	0.66	0.66	0.76	0.53	0.62	0.70	0.70	0.80	0.56	0.66	0.75	0.75	0.85	0.59	0.70	0.79	0.79	0.90
		PI	2.59	2.59	2.59	2.59	2.60	2.74	2.75	2.75	2.75	2.75	2.91	2.91	2.91	2.91	2.92	3.08	3.08	3.09	3.09	3.09
	104°F (40°C)	TC	26049	26085	26113	26114	26149	27619	27652	27679	27685	27718	29269	29307	29340	29346	29378	31033	31067	31101	31105	31144
		S/T	0.51	0.60	0.68	0.68	0.78	0.54	0.63	0.72	0.72	0.82	0.57	0.67	0.76	0.76	0.87	0.61	0.71	0.81	0.81	0.92
		PI	2.71	2.71	2.71	2.71	2.72	2.87	2.87	2.88	2.88	2.88	3.04	3.04	3.05	3.05	3.05	3.22	3.23	3.23	3.23	3.24
110°F (43°C)	TC	24589	24622	24649	24650	24683	26071	26102	26127	26133	26164	27628	27664	27695	27700	27731	29293	29325	29357	29361	29398	
	S/T	0.53	0.62	0.70	0.71	0.80	0.56	0.66	0.75	0.75	0.85	0.59	0.70	0.79	0.79	0.90	0.63	0.74	0.84	0.84	0.96	
	PI	2.78	2.78	2.79	2.79	2.79	2.95	2.95	2.95	2.95	2.96	3.12	3.13	3.13	3.13	3.13	3.31	3.31	3.32	3.32	3.32	
115°F (46°C)	TC	19057	19083	19104	19104	19130	20206	20230	20250	20254	20278	21413	21441	21465	21469	21493	22703	22728	22753	22756	22785	
	S/T	0.53	0.63	0.71	0.71	0.81	0.57	0.67	0.76	0.76	0.86	0.60	0.71	0.80	0.80	0.91	0.64	0.75	0.85	0.85	0.97	
	PI	2.15	2.15	2.15	2.15	2.16	2.28	2.28	2.28	2.28	2.29	2.42	2.42	2.42	2.42	2.42	2.56	2.56	2.57	2.57	2.57	
122°F (50°C)	TC	11682	11698	11710	11711	11727	12386	12401	12413	12415	12430	13126	13143	13158	13160	13175	13917	13932	13947	13949	13967	
	S/T	0.55	0.64	0.73	0.73	0.83	0.58	0.68	0.77	0.77	0.88	0.62	0.72	0.82	0.82	0.93	0.65	0.76	0.87	0.87	0.99	
	PI	1.31	1.31	1.31	1.31	1.32	1.39	1.39	1.39	1.39	1.39	1.47	1.47	1.48	1.48	1.48	1.56	1.56	1.56	1.57	1.57	

S/T:Sensible Cooling Capacity Ratio

PI:Power Input(kW)

30MUC0-HE-SYS-B Expanded Cooling @ 988 CFM

CFM	OD DB (°F)	ID WB ID DB	60.8°F (16.0°C)					64.4°F (18.0°C)					67°F (19.4°C)					71.6°F (22.0°C)				
			73.4°F	77.0°F	80.0°F	80.6°F	84.2°F	73.4°F	77.0°F	80.0°F	80.6°F	84.2°F	73.4°F	77.0°F	80.0°F	80.6°F	84.2°F	73.4°F	77.0°F	80.0°F	80.6°F	84.2°F
			23.0°C	25.0°C	26.7°C	27.0°C	29.0°C	23.0°C	25.0°C	26.7°C	27.0°C	29.0°C	23.0°C	25.0°C	26.7°C	27.0°C	29.0°C	23.0°C	25.0°C	26.7°C	27.0°C	29.0°C
988	50°F (10°C)	TC	30187	30228	30260	30262	30302	32006	32044	32076	32082	32120	33918	33963	34000	34007	34045	35962	36001	36040	36046	36091
		S/T	0.50	0.58	0.66	0.66	0.76	0.53	0.62	0.70	0.70	0.80	0.56	0.66	0.75	0.75	0.85	0.59	0.70	0.79	0.79	0.90
		PI	1.55	1.55	1.55	1.55	1.56	1.64	1.65	1.65	1.65	1.65	1.74	1.74	1.75	1.75	1.75	1.85	1.85	1.85	1.85	1.85
	59°F (15°C)	TC	31284	31326	31360	31362	31404	33170	33209	33242	33248	33288	35151	35197	35236	35243	35282	37269	37310	37350	37356	37403
		S/T	0.50	0.59	0.67	0.67	0.76	0.53	0.62	0.71	0.71	0.81	0.56	0.66	0.75	0.75	0.86	0.60	0.70	0.80	0.80	0.91
		PI	1.62	1.63	1.63	1.63	1.63	1.72	1.72	1.73	1.73	1.73	1.82	1.83	1.83	1.83	1.83	1.93	1.94	1.94	1.94	1.94
	68°F (20°C)	TC	32382	32425	32460	32461	32505	34333	34374	34408	34414	34455	36384	36431	36472	36479	36520	38576	38618	38660	38666	38715
		S/T	0.51	0.60	0.69	0.69	0.78	0.54	0.64	0.73	0.73	0.83	0.58	0.68	0.77	0.77	0.88	0.61	0.72	0.82	0.82	0.93
		PI	1.70	1.70	1.70	1.70	1.70	1.80	1.80	1.80	1.80	1.81	1.91	1.91	1.91	1.91	1.91	2.02	2.02	2.03	2.03	2.03
	77°F (25°C)	TC	33479	33524	33560	33561	33607	35496	35538	35573	35581	35623	37617	37666	37708	37715	37757	39884	39927	39970	39977	40026
		S/T	0.52	0.61	0.69	0.69	0.79	0.55	0.65	0.74	0.74	0.84	0.59	0.69	0.78	0.78	0.89	0.62	0.73	0.83	0.83	0.94
		PI	1.77	1.77	1.77	1.77	1.78	1.88	1.88	1.88	1.88	1.88	1.99	1.99	1.99	1.99	2.00	2.11	2.11	2.11	2.11	2.12
	82°F (27.8°C)	TC	33425	33470	33506	33508	33553	35439	35481	35516	35523	35566	37557	37605	37647	37654	37696	39820	39863	39906	39912	39962
		S/T	0.53	0.62	0.70	0.70	0.80	0.56	0.66	0.75	0.75	0.85	0.59	0.70	0.79	0.79	0.90	0.63	0.74	0.84	0.84	0.95
		PI	1.92	1.93	1.93	1.93	1.93	2.04	2.04	2.04	2.04	2.05	2.16	2.16	2.17	2.17	2.17	2.29	2.29	2.30	2.30	2.30
	86°F (30°C)	TC	32545	32589	32624	32625	32669	34506	34547	34581	34588	34629	36568	36615	36656	36663	36704	38771	38813	38856	38862	38910
		S/T	0.53	0.63	0.71	0.71	0.81	0.57	0.66	0.75	0.75	0.86	0.60	0.70	0.80	0.80	0.91	0.64	0.75	0.85	0.85	0.97
		PI	2.18	2.19	2.19	2.19	2.19	2.32	2.32	2.32	2.32	2.32	2.46	2.46	2.46	2.46	2.46	2.60	2.61	2.61	2.61	2.61
	95°F (35°C)	TC	30565	30606	30639	30640	30682	32407	32445	32477	32484	32522	34343	34388	34426	34432	34471	36412	36452	36492	36497	36543
		S/T	0.53	0.63	0.71	0.71	0.81	0.57	0.66	0.75	0.75	0.86	0.60	0.70	0.80	0.80	0.91	0.64	0.75	0.85	0.85	0.97
		PI	2.78	2.78	2.78	2.78	2.79	2.94	2.95	2.95	2.95	2.95	3.12	3.12	3.13	3.13	3.13	3.31	3.31	3.31	3.31	3.32
	104°F (40°C)	TC	27953	27991	28021	28022	28060	29638	29673	29702	29708	29743	31408	31449	31484	31490	31525	33301	33337	33373	33378	33420
		S/T	0.55	0.64	0.73	0.73	0.83	0.58	0.68	0.77	0.77	0.88	0.62	0.72	0.82	0.82	0.93	0.65	0.76	0.87	0.87	0.99
		PI	2.90	2.91	2.91	2.91	2.92	3.08	3.08	3.09	3.09	3.09	3.26	3.27	3.27	3.27	3.28	3.46	3.46	3.47	3.47	3.47
110°F (43°C)	TC	26386	26421	26450	26451	26487	27976	28009	28037	28042	28075	29647	29686	29719	29724	29758	31434	31468	31502	31507	31546	
	S/T	0.57	0.67	0.76	0.76	0.86	0.60	0.71	0.80	0.80	0.91	0.64	0.75	0.85	0.85	0.97	0.68	0.79	0.90	0.90	1.00	
	PI	2.98	2.99	2.99	2.99	2.99	3.16	3.16	3.17	3.17	3.17	3.35	3.35	3.36	3.36	3.36	3.55	3.56	3.56	3.56	3.56	
115°F (46°C)	TC	20450	20477	20500	20500	20528	21682	21708	21730	21734	21760	22978	23008	23033	23038	23063	24362	24389	24415	24419	24449	
	S/T	0.57	0.67	0.77	0.77	0.87	0.61	0.71	0.81	0.81	0.92	0.65	0.76	0.86	0.86	0.98	0.68	0.80	0.91	0.91	1.00	
	PI	2.31	2.31	2.31	2.31	2.32	2.45	2.45	2.45	2.45	2.45	2.59	2.59	2.60	2.60	2.60	2.75	2.75	2.75	2.75	2.76	
122°F (50°C)	TC	12536	12553	12566	12567	12584	13291	13307	13320	13323	13338	14085	14103	14119	14122	14138	14934	14950	14966	14969	14987	
	S/T	0.59	0.69	0.78	0.78	0.89	0.62	0.73	0.83	0.83	0.95	0.66	0.77	0.88	0.88	1.00	0.70	0.82	0.93	0.93	1.00	
	PI	1.41	1.41	1.41	1.41	1.41	1.49	1.49	1.49	1.49	1.50	1.58	1.58	1.58	1.58	1.59	1.68	1.68	1.68	1.68	1.68	

S/T:Sensible Cooling Capacity Ratio

PI:Power Input(kW)

30MUC0-HE-SYS-B Expanded Heating @ 712 CFM

CFM	HEATING PERFORMANCE AT INDOOR DRY BULB TEMPERATURE										
	OD DB (°F)	TC : Total Heating Capacity(BTU/hr)					PI : Power Input(kW)				
		Indoor Conditions(DB °F)					Indoor Conditions(DB °F)				
		60.8°F	68°F	70°F	71.6°F	75.2°F	60.8°F	68°F	70°F	71.6°F	75.2°F
712	-13°F (-25°C)	12310	12064	12003	11864	11758	2.59	2.61	2.61	2.62	2.63
	-4°F (-20°C)	13725	13450	13383	13228	13109	2.58	2.60	2.61	2.62	2.63
	0°F (-17.8°C)	14632	14339	14267	14102	13975	2.60	2.62	2.62	2.63	2.64
	5°F (-15°C)	15765	15449	15372	15194	15058	2.61	2.64	2.64	2.65	2.66
	14°F (-10°C)	18835	18458	18366	18154	17990	2.59	2.61	2.61	2.62	2.63
	17°F (-8.3°C)	19859	19461	19364	19140	18968	2.58	2.60	2.61	2.61	2.62
	22°F (-5.6°C)	19108	18726	18632	18417	18251	2.51	2.53	2.54	2.54	2.55
	27°F (-2.7°C)	18357	17990	17900	17693	17534	2.44	2.46	2.47	2.47	2.48
	32°F (0.0°C)	17607	17255	17169	16970	16817	2.37	2.39	2.39	2.40	2.41
	35°F (1.7°C)	17157	16814	16729	16536	16387	2.33	2.35	2.35	2.36	2.37
	37°F (2.8°C)	18708	18334	18242	18031	17869	2.35	2.37	2.37	2.38	2.39
	42°F (5.6°C)	22586	22134	22024	21769	21573	2.40	2.42	2.43	2.43	2.44
	44.6°F (7.0°C)	24138	23655	23536	23264	23055	2.42	2.44	2.45	2.45	2.46
	47°F (8.3°C)	26464	25935	25805	25507	25277	2.45	2.47	2.48	2.48	2.49
	52°F (11.1°C)	25110	24608	24485	24201	23984	2.17	2.19	2.19	2.20	2.20
	57°F (13.9°C)	23756	23280	23164	22896	22690	1.89	1.90	1.90	1.91	1.92
	59°F (15°C)	23214	22749	22636	22374	22172	1.77	1.79	1.79	1.79	1.80
62°F (16.7°C)	22401	21953	21843	21590	21396	1.60	1.61	1.62	1.62	1.63	
64.4°F (18°C)	21859	21422	21315	21068	20879	1.49	1.50	1.50	1.51	1.51	

30MUC0-HE-SYS-B Expanded Heating @ 806 CFM

CFM	HEATING PERFORMANCE AT INDOOR DRY BULB TEMPERATURE										
	OD DB (°F)	TC : Total Heating Capacity(BTU/hr)					PI : Power Input(kW)				
		Indoor Conditions(DB °F)					Indoor Conditions(DB °F)				
		60.8°F	68°F	70°F	71.6°F	75.2°F	60.8°F	68°F	70°F	71.6°F	75.2°F
806	-13°F (-25°C)	13209	12945	12880	12780	12665	2.61	2.63	2.64	2.64	2.65
	-4°F (-20°C)	14728	14433	14361	14249	14121	2.61	2.63	2.64	2.64	2.65
	0°F (-17.8°C)	15701	15387	15310	15190	15054	2.62	2.64	2.65	2.66	2.67
	5°F (-15°C)	16917	16578	16496	16367	16220	2.64	2.66	2.67	2.67	2.68
	14°F (-10°C)	20211	19807	19708	19555	19379	2.61	2.64	2.64	2.65	2.66
	17°F (-8.3°C)	21310	20883	20779	20617	20432	2.61	2.63	2.63	2.64	2.65
	22°F (-5.6°C)	20504	20094	19994	19838	19659	2.54	2.56	2.56	2.57	2.58
	27°F (-2.7°C)	19699	19305	19208	19059	18887	2.47	2.49	2.49	2.50	2.51
	32°F (0.0°C)	18894	18516	18423	18279	18115	2.39	2.41	2.42	2.42	2.43
	35°F (1.7°C)	18410	18042	17952	17812	17652	2.35	2.37	2.38	2.38	2.39
	37°F (2.8°C)	20075	19673	19575	19423	19248	2.37	2.39	2.40	2.40	2.41
	42°F (5.6°C)	24237	23752	23633	23449	23238	2.43	2.45	2.45	2.46	2.46
	44.6°F (7.0°C)	25901	25383	25256	25059	24834	2.45	2.47	2.47	2.48	2.49
	47°F (8.3°C)	28398	27830	27691	27475	27228	2.48	2.50	2.50	2.51	2.52
	52°F (11.1°C)	26945	26406	26274	26069	25834	2.19	2.21	2.21	2.22	2.23
	57°F (13.9°C)	25491	24982	24857	24663	24441	1.90	1.92	1.92	1.93	1.94
	59°F (15°C)	24910	24412	24290	24100	23884	1.79	1.80	1.81	1.81	1.82
62°F (16.7°C)	24038	23557	23439	23257	23047	1.62	1.63	1.63	1.64	1.64	
64.4°F (18°C)	23457	22987	22872	22694	22490	1.50	1.52	1.52	1.52	1.53	

30MUC0-HE-SYS-B Expanded Heating @ 894 CFM

CFM	HEATING PERFORMANCE AT INDOOR DRY BULB TEMPERATURE										
	OD DB (°F)	TC : Total Heating Capacity(BTU/hr)					PI : Power Input(kW)				
		Indoor Conditions(DB °F)					Indoor Conditions(DB °F)				
		60.8°F	68°F	70°F	71.6°F	75.2°F	60.8°F	68°F	70°F	71.6°F	75.2°F
894	-13°F (-25°C)	14175	13891	13822	13766	13642	2.64	2.66	2.66	2.67	2.68
	-4°F (-20°C)	15804	15488	15411	15349	15211	2.64	2.66	2.66	2.67	2.68
	0°F (-17.8°C)	16848	16511	16428	16363	16215	2.65	2.67	2.68	2.68	2.69
	5°F (-15°C)	18153	17790	17701	17630	17471	2.67	2.69	2.69	2.70	2.71
	14°F (-10°C)	21688	21255	21148	21064	20874	2.64	2.66	2.67	2.67	2.68
	17°F (-8.3°C)	22867	22409	22297	22208	22008	2.63	2.65	2.66	2.66	2.67
	22°F (-5.6°C)	22003	21562	21455	21369	21177	2.56	2.58	2.59	2.59	2.60
	27°F (-2.7°C)	21138	20716	20612	20530	20345	2.49	2.51	2.52	2.52	2.53
	32°F (0.0°C)	20274	19869	19769	19690	19513	2.42	2.44	2.44	2.45	2.46
	35°F (1.7°C)	19756	19360	19264	19187	19014	2.38	2.40	2.40	2.41	2.41
	37°F (2.8°C)	21542	21111	21005	20921	20733	2.40	2.42	2.42	2.43	2.44
	42°F (5.6°C)	26008	25487	25360	25259	25031	2.45	2.47	2.47	2.48	2.49
	44.6°F (7.0°C)	27794	27238	27102	26993	26750	2.47	2.49	2.50	2.50	2.51
	47°F (8.3°C)	30473	29864	29715	29596	29329	2.50	2.52	2.53	2.53	2.54
	52°F (11.1°C)	28914	28335	28194	28081	27828	2.21	2.23	2.24	2.24	2.25
	57°F (13.9°C)	27354	26807	26673	26566	26327	1.92	1.94	1.94	1.95	1.95
	59°F (15°C)	26730	26196	26065	25960	25727	1.81	1.82	1.83	1.83	1.84
62°F (16.7°C)	25794	25279	25152	25052	24826	1.63	1.65	1.65	1.65	1.66	
64.4°F (18°C)	25171	24667	24544	24446	24226	1.52	1.53	1.53	1.54	1.54	

30MUC0-HE-SYS-B Expanded Heating @ 988 CFM

CFM	HEATING PERFORMANCE AT INDOOR DRY BULB TEMPERATURE										
	OD DB (°F)	TC : Total Heating Capacity(BTU/hr)					PI : Power Input(kW)				
		Indoor Conditions(DB °F)					Indoor Conditions(DB °F)				
		60.8°F	68°F	70°F	71.6°F	75.2°F	60.8°F	68°F	70°F	71.6°F	75.2°F
988	-13°F (-25°C)	15210	14906	14832	14772	14639	2.66	2.69	2.69	2.70	2.71
	-4°F (-20°C)	16959	16620	16537	16470	16322	2.66	2.68	2.69	2.70	2.71
	0°F (-17.8°C)	18079	17717	17629	17558	17400	2.68	2.70	2.70	2.71	2.72
	5°F (-15°C)	19479	19090	18994	18918	18748	2.69	2.72	2.72	2.73	2.74
	14°F (-10°C)	23273	22808	22694	22603	22399	2.67	2.69	2.69	2.70	2.71
	17°F (-8.3°C)	24538	24047	23927	23831	23616	2.66	2.68	2.69	2.69	2.70
	22°F (-5.6°C)	23610	23138	23022	22930	22724	2.59	2.61	2.61	2.62	2.63
	27°F (-2.7°C)	22683	22229	22118	22030	21831	2.52	2.54	2.54	2.55	2.56
	32°F (0.0°C)	21756	21320	21214	21129	20939	2.44	2.46	2.47	2.47	2.48
	35°F (1.7°C)	21199	20775	20671	20589	20403	2.40	2.42	2.42	2.43	2.44
	37°F (2.8°C)	23116	22654	22540	22450	22248	2.42	2.44	2.45	2.45	2.46
	42°F (5.6°C)	27908	27350	27213	27104	26860	2.47	2.49	2.50	2.50	2.52
	44.6°F (7.0°C)	29825	29228	29082	28966	28705	2.50	2.52	2.52	2.53	2.54
	47°F (8.3°C)	32700	32046	31886	31758	31472	2.53	2.55	2.55	2.56	2.57
	52°F (11.1°C)	31026	30406	30254	30133	29862	2.24	2.25	2.26	2.26	2.27
	57°F (13.9°C)	29353	28766	28622	28507	28251	1.94	1.96	1.96	1.97	1.97
	59°F (15°C)	28683	28110	27969	27857	27607	1.83	1.84	1.84	1.85	1.86
62°F (16.7°C)	27679	27126	26990	26882	26640	1.65	1.66	1.67	1.67	1.68	
64.4°F (18°C)	27010	26470	26337	26232	25996	1.53	1.55	1.55	1.55	1.56	

36MUC0-HE-SYS-B Expanded Cooling @ 865 CFM

CFM	OD DB (°F)	ID WB ID DB	60.8°F (16.0°C)					64.4°F (18.0°C)					67°F (19.4°C)					71.6°F (22.0°C)				
			73.4°F	77.0°F	80.0°F	80.6°F	84.2°F	73.4°F	77.0°F	80.0°F	80.6°F	84.2°F	73.4°F	77.0°F	80.0°F	80.6°F	84.2°F	73.4°F	77.0°F	80.0°F	80.6°F	84.2°F
			23.0°C	25.0°C	26.7°C	27.0°C	29.0°C	23.0°C	25.0°C	26.7°C	27.0°C	29.0°C	23.0°C	25.0°C	26.7°C	27.0°C	29.0°C	23.0°C	25.0°C	26.7°C	27.0°C	29.0°C
865	50°F (10°C)	TC	29724	29764	29796	29798	29838	31515	31553	31584	31590	31628	33398	33442	33479	33485	33523	35411	35449	35488	35493	35537
		S/T	0.41	0.48	0.55	0.55	0.63	0.44	0.51	0.58	0.58	0.66	0.46	0.54	0.62	0.62	0.70	0.49	0.58	0.65	0.65	0.75
		PI	1.81	1.82	1.82	1.82	1.82	1.92	1.92	1.93	1.93	1.93	2.04	2.04	2.04	2.04	2.04	2.16	2.16	2.16	2.16	2.17
	59°F (15°C)	TC	29208	29248	29279	29281	29320	30969	31005	31036	31042	31079	32819	32861	32898	32904	32941	34796	34834	34872	34877	34921
		S/T	0.41	0.49	0.55	0.55	0.63	0.44	0.52	0.59	0.59	0.67	0.47	0.55	0.62	0.62	0.71	0.49	0.58	0.66	0.66	0.75
		PI	1.72	1.72	1.72	1.72	1.72	1.82	1.82	1.82	1.82	1.82	1.93	1.93	1.93	1.93	1.93	2.04	2.05	2.05	2.05	2.05
	68°F (20°C)	TC	28693	28731	28762	28764	28802	30422	30458	30488	30494	30530	32239	32281	32317	32323	32359	34182	34219	34256	34262	34304
		S/T	0.43	0.50	0.57	0.57	0.65	0.45	0.53	0.60	0.60	0.69	0.48	0.56	0.64	0.64	0.73	0.51	0.59	0.68	0.68	0.77
		PI	1.62	1.62	1.62	1.62	1.62	1.71	1.72	1.72	1.72	1.72	1.82	1.82	1.82	1.82	1.82	1.93	1.93	1.93	1.93	1.93
	77°F (25°C)	TC	28177	28215	28245	28246	28285	29875	29910	29940	29946	29981	31660	31701	31736	31742	31778	33567	33604	33641	33646	33688
		S/T	0.43	0.51	0.57	0.57	0.65	0.46	0.54	0.61	0.61	0.69	0.48	0.57	0.65	0.65	0.74	0.51	0.60	0.68	0.68	0.78
		PI	1.52	1.52	1.52	1.52	1.52	1.61	1.61	1.61	1.61	1.62	1.71	1.71	1.71	1.71	1.71	1.81	1.81	1.81	1.81	1.82
	82°F (27.8°C)	TC	28083	28121	28151	28153	28191	29776	29811	29840	29846	29882	31555	31596	31631	31637	31672	33456	33492	33529	33534	33576
		S/T	0.44	0.51	0.58	0.58	0.66	0.46	0.54	0.62	0.62	0.70	0.49	0.58	0.65	0.65	0.75	0.52	0.61	0.69	0.69	0.79
		PI	1.68	1.69	1.69	1.69	1.69	1.78	1.79	1.79	1.79	1.79	1.89	1.89	1.90	1.90	1.90	2.00	2.01	2.01	2.01	2.01
	86°F (30°C)	TC	28252	28290	28320	28321	28360	29954	29990	30019	30025	30061	31744	31785	31821	31826	31862	33656	33693	33730	33735	33777
		S/T	0.44	0.52	0.59	0.59	0.67	0.47	0.55	0.62	0.62	0.71	0.50	0.58	0.66	0.66	0.75	0.53	0.62	0.70	0.70	0.80
		PI	2.09	2.09	2.09	2.09	2.10	2.22	2.22	2.22	2.22	2.22	2.35	2.35	2.35	2.35	2.36	2.49	2.49	2.49	2.49	2.50
	95°F (35°C)	TC	28631	28669	28700	28701	28740	30356	30392	30422	30428	30464	32170	32211	32247	32253	32289	34108	34145	34182	34187	34230
		S/T	0.44	0.52	0.59	0.59	0.67	0.47	0.55	0.62	0.62	0.71	0.50	0.58	0.66	0.66	0.75	0.53	0.62	0.70	0.70	0.80
		PI	3.00	3.01	3.01	3.01	3.02	3.18	3.19	3.19	3.19	3.20	3.38	3.38	3.38	3.38	3.39	3.58	3.58	3.59	3.59	3.59
	104°F (40°C)	TC	25827	25862	25890	25891	25926	27384	27416	27443	27448	27481	29020	29057	29090	29095	29127	30768	30801	30835	30840	30878
		S/T	0.45	0.53	0.60	0.60	0.69	0.48	0.56	0.64	0.64	0.73	0.51	0.60	0.68	0.68	0.77	0.54	0.63	0.72	0.72	0.82
		PI	2.93	2.93	2.93	2.93	2.94	3.10	3.11	3.11	3.11	3.12	3.29	3.29	3.30	3.30	3.30	3.49	3.49	3.50	3.50	3.50
110°F (43°C)	TC	24145	24177	24203	24205	24237	25600	25630	25656	25661	25691	27129	27165	27195	27200	27230	28764	28795	28827	28831	28867	
	S/T	0.47	0.55	0.63	0.63	0.71	0.50	0.58	0.66	0.66	0.76	0.53	0.62	0.70	0.70	0.80	0.56	0.66	0.75	0.75	0.85	
	PI	2.88	2.89	2.89	2.89	2.89	3.06	3.06	3.06	3.06	3.07	3.24	3.24	3.25	3.25	3.25	3.43	3.44	3.44	3.44	3.45	
115°F (46°C)	TC	19904	19931	19952	19953	19980	21103	21128	21149	21153	21178	22364	22393	22418	22422	22447	23712	23737	23763	23767	23796	
	S/T	0.47	0.56	0.63	0.63	0.72	0.50	0.59	0.67	0.67	0.77	0.53	0.63	0.71	0.71	0.81	0.57	0.66	0.75	0.75	0.86	
	PI	2.43	2.44	2.44	2.44	2.44	2.58	2.58	2.59	2.59	2.59	2.74	2.74	2.74	2.74	2.75	2.90	2.90	2.91	2.91	2.91	
122°F (50°C)	TC	14249	14268	14283	14284	14303	15108	15125	15140	15143	15161	16010	16031	16049	16052	16070	16975	16993	17012	17014	17036	
	S/T	0.49	0.57	0.65	0.65	0.74	0.52	0.60	0.69	0.69	0.78	0.55	0.64	0.73	0.73	0.83	0.58	0.68	0.77	0.77	0.88	
	PI	1.84	1.84	1.84	1.84	1.84	1.95	1.95	1.95	1.95	1.96	2.06	2.07	2.07	2.07	2.07	2.19	2.19	2.19	2.19	2.20	

S/T:Sensible Cooling Capacity Ratio

PI:Power Input(kW)

36MUC0-HE-SYS-B Expanded Cooling @ 970 CFM

CFM	OD DB (°F)	ID WB ID DB	60.8°F (16.0°C)					64.4°F (18.0°C)					67°F (19.4°C)					71.6°F (22.0°C)				
			73.4°F	77.0°F	80.0°F	80.6°F	84.2°F	73.4°F	77.0°F	80.0°F	80.6°F	84.2°F	73.4°F	77.0°F	80.0°F	80.6°F	84.2°F	73.4°F	77.0°F	80.0°F	80.6°F	84.2°F
			23.0°C	25.0°C	26.7°C	27.0°C	29.0°C	23.0°C	25.0°C	26.7°C	27.0°C	29.0°C	23.0°C	25.0°C	26.7°C	27.0°C	29.0°C	23.0°C	25.0°C	26.7°C	27.0°C	29.0°C
970	50°F (10°C)	TC	31664	31707	31741	31742	31785	33572	33612	33645	33652	33692	35578	35624	35664	35671	35710	37722	37763	37804	37810	37857
		S/T	0.44	0.52	0.59	0.59	0.67	0.47	0.55	0.62	0.62	0.71	0.49	0.58	0.66	0.66	0.75	0.52	0.61	0.70	0.70	0.79
		PI	1.93	1.93	1.94	1.94	1.94	2.05	2.05	2.05	2.05	2.06	2.17	2.17	2.18	2.18	2.18	2.30	2.30	2.31	2.31	2.31
	59°F (15°C)	TC	31115	31157	31190	31192	31234	32990	33029	33062	33068	33107	34961	35006	35045	35052	35091	37067	37108	37148	37154	37200
		S/T	0.44	0.52	0.59	0.59	0.67	0.47	0.55	0.62	0.62	0.71	0.50	0.58	0.66	0.66	0.75	0.53	0.62	0.70	0.70	0.80
		PI	1.83	1.83	1.83	1.83	1.83	1.94	1.94	1.94	1.94	1.94	2.05	2.06	2.06	2.06	2.06	2.18	2.18	2.18	2.18	2.18
	68°F (20°C)	TC	30565	30606	30639	30641	30682	32407	32446	32478	32484	32523	34343	34388	34426	34433	34471	36413	36452	36492	36498	36543
		S/T	0.45	0.53	0.60	0.60	0.69	0.48	0.56	0.64	0.64	0.73	0.51	0.60	0.68	0.68	0.77	0.54	0.63	0.72	0.72	0.82
		PI	1.72	1.72	1.73	1.73	1.73	1.83	1.83	1.83	1.83	1.83	1.94	1.94	1.94	1.94	1.94	2.05	2.05	2.06	2.06	2.06
	77°F (25°C)	TC	30016	30056	30089	30090	30131	31825	31862	31894	31900	31938	33726	33770	33808	33814	33852	35758	35797	35836	35842	35886
		S/T	0.46	0.54	0.61	0.61	0.70	0.49	0.57	0.65	0.65	0.74	0.52	0.60	0.69	0.69	0.78	0.55	0.64	0.73	0.73	0.83
		PI	1.62	1.62	1.62	1.62	1.62	1.72	1.72	1.72	1.72	1.72	1.82	1.82	1.82	1.82	1.83	1.93	1.93	1.93	1.93	1.93
	82°F (27.8°C)	TC	29916	29956	29989	29990	30030	31719	31757	31788	31794	31832	33614	33658	33695	33701	33739	35639	35678	35717	35722	35767
		S/T	0.46	0.55	0.62	0.62	0.71	0.49	0.58	0.66	0.66	0.75	0.52	0.61	0.70	0.70	0.79	0.55	0.65	0.74	0.74	0.84
		PI	1.79	1.80	1.80	1.80	1.80	1.90	1.90	1.90	1.91	1.91	2.01	2.02	2.02	2.02	2.02	2.14	2.14	2.14	2.14	2.14
	86°F (30°C)	TC	30095	30136	30168	30170	30210	31909	31947	31979	31985	32023	33816	33860	33897	33904	33941	35853	35892	35931	35937	35981
		S/T	0.47	0.55	0.63	0.63	0.72	0.50	0.59	0.67	0.67	0.76	0.53	0.62	0.70	0.71	0.80	0.56	0.66	0.75	0.75	0.85
		PI	2.23	2.23	2.23	2.23	2.23	2.36	2.36	2.37	2.37	2.37	2.50	2.50	2.51	2.51	2.51	2.65	2.65	2.66	2.66	2.66
	95°F (35°C)	TC	30499	30540	30573	30574	30616	32337	32375	32407	32414	32452	34269	34314	34352	34358	34397	36334	36373	36413	36419	36464
		S/T	0.47	0.55	0.63	0.63	0.72	0.50	0.59	0.67	0.67	0.76	0.53	0.62	0.70	0.71	0.80	0.56	0.66	0.75	0.75	0.85
		PI	3.20	3.20	3.21	3.21	3.21	3.39	3.40	3.40	3.40	3.40	3.60	3.60	3.60	3.60	3.61	3.81	3.82	3.82	3.82	3.83
	104°F (40°C)	TC	27513	27550	27579	27581	27618	29171	29205	29234	29240	29275	30913	30954	30988	30994	31028	32776	32812	32847	32852	32893
		S/T	0.48	0.57	0.64	0.64	0.73	0.51	0.60	0.68	0.68	0.78	0.54	0.64	0.72	0.72	0.82	0.57	0.67	0.77	0.77	0.87
		PI	3.12	3.12	3.13	3.13	3.13	3.31	3.31	3.31	3.31	3.32	3.50	3.51	3.51	3.51	3.52	3.72	3.72	3.72	3.72	3.73
110°F (43°C)	TC	25721	25755	25783	25784	25819	27271	27303	27330	27335	27368	28900	28938	28970	28975	29008	30641	30675	30708	30713	30751	
	S/T	0.50	0.59	0.67	0.67	0.76	0.53	0.62	0.71	0.71	0.81	0.56	0.66	0.75	0.75	0.85	0.60	0.70	0.79	0.79	0.91	
	PI	3.07	3.07	3.08	3.08	3.08	3.26	3.26	3.26	3.26	3.27	3.45	3.45	3.46	3.46	3.46	3.66	3.66	3.67	3.67	3.67	
115°F (46°C)	TC	21203	21231	21254	21255	21284	22481	22507	22529	22534	22561	23824	23855	23881	23886	23912	25259	25287	25314	25318	25349	
	S/T	0.51	0.59	0.67	0.67	0.77	0.54	0.63	0.71	0.72	0.82	0.57	0.67	0.76	0.76	0.86	0.60	0.71	0.80	0.80	0.92	
	PI	2.59	2.60	2.60	2.60	2.60	2.75	2.75	2.76	2.76	2.76	2.91	2.92	2.92	2.92	2.92	3.09	3.09	3.10	3.10	3.10	
122°F (50°C)	TC	15179	15199	15216	15216	15237	16094	16113	16129	16132	16151	17055	17077	17096	17099	17119	18083	18102	18122	18125	18147	
	S/T	0.52	0.61	0.69	0.69	0.79	0.55	0.64	0.73	0.73	0.83	0.58	0.68	0.78	0.78	0.88	0.62	0.72	0.82	0.82	0.94	
	PI	1.96	1.96	1.96	1.96	1.97	2.08	2.08	2.08	2.08	2.08	2.20	2.20	2.20	2.21	2.21	2.33	2.33	2.34	2.34	2.34	

S/T:Sensible Cooling Capacity Ratio

PI:Power Input(kW)

36MUC0-HE-SYS-B Expanded Cooling @ 1080 CFM

CFM	OD DB (°F)	ID WB ID DB	60.8°F (16.0°C)					64.4°F (18.0°C)					67°F (19.4°C)					71.6°F (22.0°C)				
			73.4°F	77.0°F	80.0°F	80.6°F	84.2°F	73.4°F	77.0°F	80.0°F	80.6°F	84.2°F	73.4°F	77.0°F	80.0°F	80.6°F	84.2°F	73.4°F	77.0°F	80.0°F	80.6°F	84.2°F
			23.0°C	25.0°C	26.7°C	27.0°C	29.0°C	23.0°C	25.0°C	26.7°C	27.0°C	29.0°C	23.0°C	25.0°C	26.7°C	27.0°C	29.0°C	23.0°C	25.0°C	26.7°C	27.0°C	29.0°C
1080	50°F (10°C)	TC	33731	33776	33812	33814	33859	35763	35806	35841	35848	35891	37900	37949	37992	37999	38041	40184	40227	40271	40277	40328
		S/T	0.47	0.55	0.62	0.62	0.71	0.50	0.58	0.66	0.66	0.75	0.53	0.62	0.70	0.70	0.80	0.56	0.65	0.74	0.74	0.85
		PI	2.06	2.06	2.06	2.06	2.07	2.18	2.18	2.19	2.19	2.19	2.31	2.31	2.32	2.32	2.32	2.45	2.45	2.46	2.46	2.46
	59°F (15°C)	TC	33145	33190	33226	33227	33272	35143	35184	35219	35226	35268	37242	37291	37332	37339	37381	39486	39529	39572	39578	39628
		S/T	0.47	0.55	0.63	0.63	0.71	0.50	0.58	0.66	0.66	0.76	0.53	0.62	0.70	0.70	0.80	0.56	0.66	0.75	0.75	0.85
		PI	1.95	1.95	1.95	1.95	1.95	2.06	2.07	2.07	2.07	2.07	2.19	2.19	2.19	2.19	2.19	2.32	2.32	2.32	2.32	2.33
	68°F (20°C)	TC	32560	32604	32639	32640	32684	34522	34563	34597	34604	34645	36585	36632	36673	36680	36721	38789	38831	38874	38880	38928
		S/T	0.48	0.57	0.64	0.64	0.73	0.51	0.60	0.68	0.68	0.78	0.54	0.64	0.72	0.72	0.82	0.57	0.67	0.77	0.77	0.87
		PI	1.84	1.84	1.84	1.84	1.84	1.95	1.95	1.95	1.95	1.95	2.06	2.06	2.07	2.07	2.07	2.19	2.19	2.19	2.19	2.19
	77°F (25°C)	TC	31975	32018	32052	32054	32097	33902	33942	33975	33982	34023	35927	35974	36014	36021	36061	38092	38133	38175	38181	38228
		S/T	0.49	0.57	0.65	0.65	0.74	0.52	0.61	0.69	0.69	0.79	0.55	0.64	0.73	0.73	0.83	0.58	0.68	0.78	0.78	0.88
		PI	1.72	1.73	1.73	1.73	1.73	1.83	1.83	1.83	1.83	1.83	1.94	1.94	1.94	1.94	1.94	2.05	2.06	2.06	2.06	2.06
	82°F (27.8°C)	TC	31869	31911	31946	31947	31990	33789	33829	33863	33869	33909	35808	35854	35894	35901	35941	37965	38007	38048	38054	38101
		S/T	0.50	0.58	0.66	0.66	0.75	0.52	0.62	0.70	0.70	0.80	0.56	0.65	0.74	0.74	0.85	0.59	0.69	0.79	0.79	0.90
		PI	1.91	1.91	1.91	1.91	1.92	2.02	2.03	2.03	2.03	2.03	2.15	2.15	2.15	2.15	2.15	2.28	2.28	2.28	2.28	2.28
	86°F (30°C)	TC	32060	32103	32137	32139	32182	33992	34032	34066	34072	34113	36023	36069	36110	36116	36157	38193	38234	38276	38282	38330
		S/T	0.50	0.59	0.67	0.67	0.76	0.53	0.62	0.71	0.71	0.81	0.56	0.66	0.75	0.75	0.86	0.60	0.70	0.80	0.80	0.91
		PI	2.37	2.37	2.38	2.38	2.38	2.51	2.52	2.52	2.52	2.52	2.66	2.67	2.67	2.67	2.67	2.82	2.83	2.83	2.83	2.83
	95°F (35°C)	TC	32490	32533	32568	32570	32614	34448	34488	34522	34529	34570	36506	36553	36594	36601	36641	38705	38747	38789	38795	38844
		S/T	0.50	0.59	0.67	0.67	0.76	0.53	0.62	0.71	0.71	0.81	0.56	0.66	0.75	0.75	0.86	0.60	0.70	0.80	0.80	0.91
		PI	3.41	3.41	3.42	3.42	3.42	3.61	3.62	3.62	3.62	3.63	3.83	3.84	3.84	3.84	3.84	4.06	4.07	4.07	4.07	4.08
	104°F (40°C)	TC	29308	29348	29379	29381	29420	31074	31111	31142	31148	31185	32931	32974	33011	33017	33053	34915	34953	34991	34997	35040
		S/T	0.51	0.60	0.69	0.69	0.78	0.54	0.64	0.73	0.73	0.83	0.58	0.68	0.77	0.77	0.88	0.61	0.72	0.82	0.82	0.93
		PI	3.32	3.33	3.33	3.33	3.34	3.52	3.53	3.53	3.53	3.54	3.73	3.74	3.74	3.74	3.75	3.96	3.96	3.97	3.97	3.97
	110°F (43°C)	TC	27399	27436	27466	27467	27504	29051	29085	29114	29119	29154	30786	30826	30861	30866	30901	32641	32677	32712	32717	32758
		S/T	0.53	0.62	0.71	0.71	0.81	0.56	0.66	0.75	0.75	0.86	0.60	0.70	0.80	0.80	0.91	0.63	0.74	0.85	0.85	0.96
		PI	3.27	3.27	3.28	3.28	3.28	3.47	3.47	3.48	3.48	3.48	3.67	3.68	3.68	3.68	3.69	3.90	3.90	3.90	3.91	3.91
	115°F (46°C)	TC	22587	22617	22641	22642	22673	23948	23976	24000	24005	24033	25378	25411	25440	25444	25473	26908	26937	26966	26970	27004
		S/T	0.54	0.63	0.72	0.72	0.82	0.57	0.67	0.76	0.76	0.87	0.61	0.71	0.81	0.81	0.92	0.64	0.75	0.86	0.86	0.98
		PI	2.76	2.77	2.77	2.77	2.77	2.93	2.93	2.94	2.94	2.94	3.10	3.11	3.11	3.11	3.12	3.29	3.29	3.30	3.30	3.30
	122°F (50°C)	TC	16169	16191	16209	16209	16231	17144	17164	17181	17185	17205	18168	18192	18212	18215	18236	19263	19284	19305	19308	19332
		S/T	0.55	0.65	0.74	0.74	0.84	0.58	0.69	0.78	0.78	0.89	0.62	0.73	0.83	0.83	0.94	0.66	0.77	0.88	0.88	1.00
		PI	2.09	2.09	2.09	2.09	2.09	2.21	2.21	2.22	2.22	2.22	2.34	2.35	2.35	2.35	2.35	2.48	2.49	2.49	2.49	2.49

S/T:Sensible Cooling Capacity Ratio

PI:Power Input(kW)

36MUC0-HE-SYS-B Expanded Cooling @ 1185 CFM

CFM	OD DB (°F)	ID WB ID DB	60.8°F (16.0°C)					64.4°F (18.0°C)					67°F (19.4°C)					71.6°F (22.0°C)				
			73.4°F	77.0°F	80.0°F	80.6°F	84.2°F	73.4°F	77.0°F	80.0°F	80.6°F	84.2°F	73.4°F	77.0°F	80.0°F	80.6°F	84.2°F	73.4°F	77.0°F	80.0°F	80.6°F	84.2°F
			23.0°C	25.0°C	26.7°C	27.0°C	29.0°C	23.0°C	25.0°C	26.7°C	27.0°C	29.0°C	23.0°C	25.0°C	26.7°C	27.0°C	29.0°C	23.0°C	25.0°C	26.7°C	27.0°C	29.0°C
1185	50°F (10°C)	TC	35932	35980	36019	36021	36069	38097	38143	38180	38188	38233	40374	40426	40471	40479	40524	42806	42853	42899	42906	42959
		S/T	0.50	0.58	0.66	0.66	0.76	0.53	0.62	0.70	0.70	0.80	0.56	0.66	0.75	0.75	0.85	0.59	0.70	0.79	0.79	0.90
		PI	2.19	2.19	2.20	2.20	2.20	2.32	2.33	2.33	2.33	2.33	2.46	2.47	2.47	2.47	2.47	2.61	2.61	2.62	2.62	2.62
	59°F (15°C)	TC	35309	35356	35394	35396	35443	37436	37481	37518	37525	37570	39673	39725	39769	39776	39821	42063	42109	42155	42162	42214
		S/T	0.50	0.59	0.67	0.67	0.76	0.53	0.62	0.71	0.71	0.81	0.56	0.66	0.75	0.75	0.86	0.60	0.70	0.80	0.80	0.91
		PI	2.07	2.08	2.08	2.08	2.08	2.20	2.20	2.20	2.20	2.21	2.33	2.33	2.34	2.34	2.34	2.47	2.47	2.48	2.48	2.48
	68°F (20°C)	TC	34685	34732	34769	34771	34818	36775	36819	36855	36863	36906	38973	39023	39067	39074	39118	41321	41366	41411	41417	41469
		S/T	0.51	0.60	0.69	0.69	0.78	0.54	0.64	0.73	0.73	0.83	0.58	0.68	0.77	0.77	0.88	0.61	0.72	0.82	0.82	0.93
		PI	1.95	1.96	1.96	1.96	1.96	2.07	2.08	2.08	2.08	2.08	2.20	2.20	2.20	2.20	2.20	2.33	2.33	2.33	2.33	2.34
	77°F (25°C)	TC	34062	34107	34144	34146	34192	36114	36157	36193	36200	36243	38272	38322	38364	38372	38414	40578	40622	40666	40673	40723
		S/T	0.52	0.61	0.69	0.69	0.79	0.55	0.65	0.74	0.74	0.84	0.59	0.69	0.78	0.78	0.89	0.62	0.73	0.83	0.83	0.94
		PI	1.84	1.84	1.84	1.84	1.84	1.95	1.95	1.95	1.95	1.95	2.06	2.07	2.07	2.07	2.07	2.19	2.19	2.19	2.19	2.20
	82°F (27.8°C)	TC	33948	33994	34031	34032	34078	35994	36037	36073	36080	36122	38145	38194	38237	38244	38287	40443	40487	40531	40537	40588
		S/T	0.53	0.62	0.70	0.70	0.80	0.56	0.66	0.75	0.75	0.85	0.59	0.70	0.79	0.79	0.90	0.63	0.74	0.84	0.84	0.95
		PI	2.03	2.04	2.04	2.04	2.04	2.16	2.16	2.16	2.16	2.16	2.29	2.29	2.29	2.29	2.29	2.42	2.43	2.43	2.43	2.43
	86°F (30°C)	TC	34152	34198	34235	34236	34282	36210	36253	36289	36296	36339	38374	38423	38466	38473	38516	40686	40730	40774	40781	40831
		S/T	0.53	0.63	0.71	0.71	0.81	0.57	0.66	0.75	0.75	0.86	0.60	0.70	0.80	0.80	0.91	0.64	0.75	0.85	0.85	0.97
		PI	2.53	2.53	2.53	2.53	2.54	2.68	2.68	2.68	2.68	2.69	2.84	2.84	2.84	2.85	2.85	3.01	3.01	3.02	3.02	3.02
	95°F (35°C)	TC	34610	34657	34694	34695	34742	36696	36739	36776	36783	36826	38888	38939	38982	38989	39033	41231	41276	41321	41327	41379
		S/T	0.53	0.63	0.71	0.71	0.81	0.57	0.66	0.75	0.75	0.86	0.60	0.70	0.80	0.80	0.91	0.64	0.75	0.85	0.85	0.97
		PI	3.63	3.64	3.64	3.64	3.65	3.85	3.85	3.86	3.86	3.86	4.08	4.09	4.09	4.09	4.10	4.33	4.33	4.34	4.34	4.34
	104°F (40°C)	TC	31221	31263	31297	31298	31340	33103	33142	33174	33181	33220	35080	35126	35165	35171	35211	37194	37234	37275	37281	37327
		S/T	0.55	0.64	0.73	0.73	0.83	0.58	0.68	0.77	0.77	0.88	0.62	0.72	0.82	0.82	0.93	0.65	0.76	0.87	0.87	0.99
		PI	3.54	3.54	3.55	3.55	3.55	3.75	3.76	3.76	3.76	3.77	3.98	3.98	3.99	3.99	3.99	4.22	4.22	4.23	4.23	4.23
110°F (43°C)	TC	29188	29227	29258	29260	29299	30947	30983	31014	31020	31057	32795	32838	32875	32881	32917	34771	34809	34847	34853	34896	
	S/T	0.57	0.67	0.76	0.76	0.86	0.60	0.71	0.80	0.80	0.91	0.64	0.75	0.85	0.85	0.97	0.68	0.79	0.90	0.90	1.00	
	PI	3.48	3.49	3.49	3.49	3.50	3.69	3.70	3.70	3.70	3.71	3.91	3.92	3.92	3.92	3.93	4.15	4.15	4.16	4.16	4.17	
115°F (46°C)	TC	24061	24093	24119	24120	24153	25511	25541	25566	25571	25601	27035	27070	27100	27105	27135	28664	28695	28726	28731	28766	
	S/T	0.57	0.67	0.77	0.77	0.87	0.61	0.71	0.81	0.81	0.92	0.65	0.76	0.86	0.86	0.98	0.68	0.80	0.91	0.91	1.00	
	PI	2.94	2.95	2.95	2.95	2.95	3.12	3.12	3.13	3.13	3.13	3.31	3.31	3.31	3.32	3.32	3.51	3.51	3.51	3.51	3.52	
122°F (50°C)	TC	17225	17248	17266	17267	17291	18263	18284	18302	18306	18328	19354	19379	19401	19404	19426	20520	20542	20565	20568	20593	
	S/T	0.59	0.69	0.78	0.78	0.89	0.62	0.73	0.83	0.83	0.95	0.66	0.77	0.88	0.88	1.00	0.70	0.82	0.93	0.93	1.00	
	PI	2.22	2.22	2.23	2.23	2.23	2.36	2.36	2.36	2.36	2.36	2.50	2.50	2.50	2.50	2.51	2.65	2.65	2.65	2.65	2.66	

S/T:Sensible Cooling Capacity Ratio

PI:Power Input(kW)

36MUC0-HE-SYS-B Expanded Heating @ 865 CFM

CFM	HEATING PERFORMANCE AT INDOOR DRY BULB TEMPERATURE										
	OD DB (°F)	TC : Total Heating Capacity(BTU/hr)					PI : Power Input(kW)				
		Indoor Conditions(DB °F)					Indoor Conditions(DB °F)				
		60.8°F	68°F	70°F	71.6°F	75.2°F	60.8°F	68°F	70°F	71.6°F	75.2°F
865	-13°F (-25°C)	16745	16410	16328	15794	15652	3.25	3.28	3.28	3.29	3.30
	-4°F (-20°C)	21848	21411	21304	20607	20421	3.60	3.63	3.63	3.64	3.65
	0°F (-17.8°C)	23253	22788	22674	21932	21735	3.79	3.82	3.83	3.84	3.86
	5°F (-15°C)	25009	24509	24387	23588	23376	4.04	4.07	4.08	4.09	4.11
	14°F (-10°C)	26271	25745	25616	24778	24555	4.02	4.06	4.06	4.07	4.09
	17°F (-8.3°C)	26691	26157	26026	25174	24948	4.02	4.05	4.06	4.07	4.08
	22°F (-5.6°C)	27116	26574	26441	25576	25345	3.83	3.86	3.87	3.87	3.89
	27°F (-2.7°C)	27542	26991	26856	25977	25743	3.64	3.67	3.68	3.68	3.70
	32°F (0.0°C)	27967	27408	27271	26378	26141	3.45	3.48	3.48	3.49	3.50
	35°F (1.7°C)	28222	27658	27520	26619	26379	3.34	3.36	3.37	3.38	3.39
	37°F (2.8°C)	29363	28776	28632	27694	27445	3.37	3.40	3.41	3.41	3.43
	42°F (5.6°C)	32214	31570	31412	30383	30110	3.47	3.50	3.50	3.51	3.53
	44.6°F (7.0°C)	33354	32687	32524	31459	31176	3.51	3.54	3.54	3.55	3.56
	47°F (8.3°C)	35065	34364	34192	33073	32775	3.57	3.59	3.60	3.61	3.62
	52°F (11.1°C)	35359	34652	34478	33350	33050	3.32	3.35	3.36	3.36	3.38
	57°F (13.9°C)	35653	34940	34765	33627	33324	3.08	3.11	3.11	3.12	3.13
	59°F (15°C)	35770	35055	34879	33738	33434	2.99	3.01	3.02	3.02	3.03
62°F (16.7°C)	35946	35227	35051	33904	33599	2.84	2.86	2.87	2.88	2.89	
64.4°F (18°C)	36064	35342	35166	34015	33708	2.74	2.77	2.77	2.78	2.79	

36MUC0-HE-SYS-B Expanded Heating @ 970 CFM

CFM	HEATING PERFORMANCE AT INDOOR DRY BULB TEMPERATURE										
	OD DB (°F)	TC : Total Heating Capacity(BTU/hr)					PI : Power Input(kW)				
		Indoor Conditions(DB °F)					Indoor Conditions(DB °F)				
		60.8°F	68°F	70°F	71.6°F	75.2°F	60.8°F	68°F	70°F	71.6°F	75.2°F
970	-13°F (-25°C)	17838	17481	17394	17073	16919	3.28	3.31	3.32	3.32	3.34
	-4°F (-20°C)	23274	22809	22695	22276	22075	3.63	3.66	3.67	3.68	3.69
	0°F (-17.8°C)	24771	24275	24154	23708	23494	3.83	3.86	3.87	3.88	3.89
	5°F (-15°C)	26642	26109	25978	25498	25269	4.08	4.12	4.12	4.13	4.15
	14°F (-10°C)	27985	27425	27288	26784	26543	4.06	4.10	4.10	4.11	4.13
	17°F (-8.3°C)	28433	27864	27725	27213	26968	4.06	4.09	4.10	4.11	4.12
	22°F (-5.6°C)	28886	28308	28167	27647	27398	3.87	3.90	3.91	3.91	3.93
	27°F (-2.7°C)	29339	28752	28609	28080	27827	3.68	3.70	3.71	3.72	3.73
	32°F (0.0°C)	29792	29196	29051	28514	28257	3.48	3.51	3.52	3.53	3.54
	35°F (1.7°C)	30064	29463	29316	28774	28515	3.37	3.40	3.40	3.41	3.42
	37°F (2.8°C)	31279	30654	30500	29937	29667	3.41	3.44	3.44	3.45	3.46
	42°F (5.6°C)	34316	33630	33462	32844	32548	3.50	3.53	3.54	3.55	3.56
	44.6°F (7.0°C)	35531	34821	34647	34006	33700	3.54	3.57	3.58	3.59	3.60
	47°F (8.3°C)	37354	36607	36424	35751	35429	3.60	3.63	3.64	3.65	3.66
	52°F (11.1°C)	37667	36913	36729	36050	35726	3.36	3.38	3.39	3.40	3.41
	57°F (13.9°C)	37979	37220	37034	36350	36022	3.11	3.14	3.15	3.15	3.16
	59°F (15°C)	38105	37342	37156	36469	36141	3.02	3.04	3.05	3.05	3.06
62°F (16.7°C)	38292	37526	37339	36649	36319	2.87	2.89	2.90	2.90	2.92	
64.4°F (18°C)	38417	37649	37461	36769	36438	2.77	2.79	2.80	2.81	2.82	

36MUC0-HE-SYS-B Expanded Heating @ 1080 CFM

CFM	HEATING PERFORMANCE AT INDOOR DRY BULB TEMPERATURE										
	OD DB (°F)	TC : Total Heating Capacity(BTU/hr)					PI : Power Input(kW)				
		Indoor Conditions(DB °F)					Indoor Conditions(DB °F)				
		60.8°F	68°F	70°F	71.6°F	75.2°F	60.8°F	68°F	70°F	71.6°F	75.2°F
1080	-13°F (-25°C)	19002	18622	18529	18455	18289	3.32	3.34	3.35	3.36	3.37
	-4°F (-20°C)	24793	24297	24176	24079	23863	3.67	3.70	3.71	3.71	3.73
	0°F (-17.8°C)	26388	25860	25730	25628	25397	3.87	3.90	3.91	3.92	3.93
	5°F (-15°C)	28380	27813	27674	27563	27315	4.12	4.16	4.16	4.17	4.19
	14°F (-10°C)	29812	29215	29069	28953	28692	4.10	4.14	4.15	4.15	4.17
	17°F (-8.3°C)	30289	29683	29535	29416	29152	4.10	4.13	4.14	4.15	4.17
	22°F (-5.6°C)	30771	30156	30005	29885	29616	3.91	3.94	3.94	3.95	3.97
	27°F (-2.7°C)	31254	30629	30476	30354	30081	3.71	3.74	3.75	3.76	3.77
	32°F (0.0°C)	31737	31102	30946	30823	30545	3.52	3.55	3.55	3.56	3.58
	35°F (1.7°C)	32026	31386	31229	31104	30824	3.40	3.43	3.44	3.44	3.46
	37°F (2.8°C)	33321	32654	32491	32361	32070	3.44	3.47	3.48	3.48	3.50
	42°F (5.6°C)	36556	35825	35646	35503	35184	3.54	3.57	3.58	3.58	3.60
	44.6°F (7.0°C)	37850	37093	36908	36760	36429	3.58	3.61	3.62	3.62	3.64
	47°F (8.3°C)	39791	38996	38801	38645	38298	3.64	3.67	3.67	3.68	3.70
	52°F (11.1°C)	40125	39322	39126	38969	38618	3.39	3.42	3.43	3.43	3.45
	57°F (13.9°C)	40458	39649	39451	39293	38939	3.15	3.17	3.18	3.18	3.20
	59°F (15°C)	40591	39780	39581	39422	39068	3.05	3.07	3.08	3.08	3.10
62°F (16.7°C)	40791	39976	39776	39617	39260	2.90	2.92	2.93	2.93	2.95	
64.4°F (18°C)	40925	40106	39906	39746	39388	2.80	2.82	2.83	2.83	2.85	

36MUC0-HE-SYS-B Expanded Heating @ 1185 CFM

CFM	HEATING PERFORMANCE AT INDOOR DRY BULB TEMPERATURE										
	OD DB (°F)	TC : Total Heating Capacity(BTU/hr)					PI : Power Input(kW)				
		Indoor Conditions(DB °F)					Indoor Conditions(DB °F)				
		60.8°F	68°F	70°F	71.6°F	75.2°F	60.8°F	68°F	70°F	71.6°F	75.2°F
1185	-13°F (-25°C)	20242	19838	19738	19659	19483	3.35	3.38	3.39	3.39	3.41
	-4°F (-20°C)	26411	25883	25754	25651	25420	3.71	3.74	3.74	3.75	3.77
	0°F (-17.8°C)	28110	27547	27410	27300	27054	3.91	3.94	3.95	3.96	3.97
	5°F (-15°C)	30232	29628	29480	29362	29098	4.16	4.20	4.21	4.22	4.23
	14°F (-10°C)	31757	31122	30966	30843	30565	4.15	4.18	4.19	4.20	4.21
	17°F (-8.3°C)	32265	31620	31462	31336	31054	4.14	4.17	4.18	4.19	4.21
	22°F (-5.6°C)	32780	32124	31963	31836	31549	3.94	3.98	3.98	3.99	4.01
	27°F (-2.7°C)	33294	32628	32465	32335	32044	3.75	3.78	3.79	3.80	3.81
	32°F (0.0°C)	33808	33132	32966	32834	32539	3.55	3.58	3.59	3.60	3.61
	35°F (1.7°C)	34117	33434	33267	33134	32836	3.44	3.47	3.47	3.48	3.49
	37°F (2.8°C)	35495	34785	34611	34473	34163	3.48	3.50	3.51	3.52	3.53
	42°F (5.6°C)	38942	38163	37972	37820	37480	3.58	3.60	3.61	3.62	3.63
	44.6°F (7.0°C)	40320	39514	39316	39159	38807	3.62	3.64	3.65	3.66	3.67
	47°F (8.3°C)	42388	41541	41333	41168	40797	3.67	3.70	3.71	3.72	3.73
	52°F (11.1°C)	42743	41889	41679	41512	41139	3.43	3.45	3.46	3.47	3.48
	57°F (13.9°C)	43099	42237	42025	41857	41481	3.18	3.20	3.21	3.22	3.23
	59°F (15°C)	43241	42376	42164	41995	41617	3.08	3.10	3.11	3.11	3.13
62°F (16.7°C)	43454	42585	42372	42202	41822	2.93	2.95	2.96	2.96	2.98	
64.4°F (18°C)	43596	42724	42510	42340	41959	2.83	2.85	2.86	2.86	2.87	

Control Options

Part Number	Description
MMT4522-001	24V 2H/1C Programmable Thermostat with Occupancy Sensor Input and Standard Display.
MMT8532-002	24V 2H/1C Programmable Thermostat with Occupancy Sensor Input and Deluxe Display.
MMT8532OCC-1	24V 2H/1C Programmable Thermostat with Built-In Occupancy Sensor and Deluxe Display.
MMW-1	24V 2H/1C Non-Programmable Wireless Thermostat.
SWC120LR	Standard wired wall controller with operation mode control, timer and fan speed functions.
WIFI-DWC120X2	Deluxe wired wall controller with WFI and app, with programmable weekly timer, auto-restart, child lock, Turbo function, follow me function and more. The WIFI-DWC120X2 also functions as a receiver for the MWRC remote controller.
MWRC2	Wireless infrared remote controller with timer, sleep function, follow me and turbo function. Internal functions, such as setting airflow, can be made with this remote controller, as well.

The MUC System includes a factory installed 24V control board, in the outdoor heat pump, and can be used with most standard 24V thermostats. Either a 24V heat pump thermostat, wired wall controller or wireless remote controller can be used with the MUC System.



MMT4522-001



MMT8532-002



MMW-1



SWC120LR



WIFI-DWC120X2



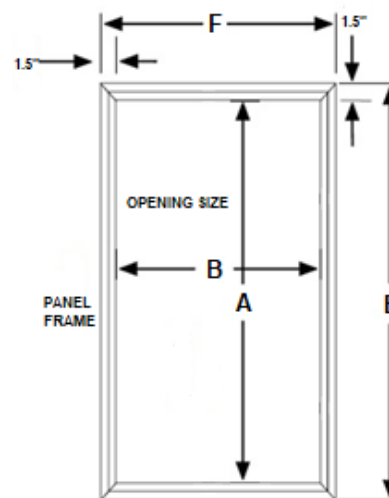
MWRC2

Panels and Bracket

Panel Model Number	Air Handler Model	Style	Inside Frame		Outside Frame	
			A	B	E	F
963-LA	18MUC0 / 24MUC0	Louvered	37	21	40	24
963-S	18MUC0 / 24MUC0	Solid	37	21	40	24
964-LA	30MUC0 / 36MUC0	Louvered	40	22.5	43	25.5
964-S	30MUC0 / 36MUC0	Solid	40	22.5	43	25.5
MUC-CAP1	18MUC0 / 24MUC0	Solid	Front Return Air Cover			
MUC-CAP2	30MUC0 / 36MUC0	Solid	Front Return Air Cover			
MUC-BRACKET	All MUC Units	Hanging Bracket for Wall Mount Applications				



963-LA (louvered)



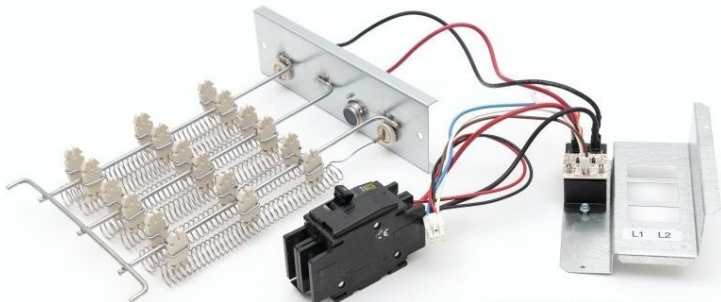
Field Install Auxiliary Electric Heaters

Part Number	Air Handler Model	Heater Size kW	BTUH		Heater Amps		Min Cir Ampacity		MOCP	
			230V	208V	230V	208V	230V	208V	230V	208V
EAH-03C(UL)	18MUC	3	10,240	6,830	12.0	10.8	16.0	14.0	20.0	15.0
EAH-05C(UL)		5	17,060	12,795	20.0	18.0	27.0	23.0	30.0	25.0
EAH-08C(UL)		8	25,600	19,200	32.0	28.8	42.0	37.0	45.0	40.0
EAH-10C(UL)		10	34,100	25,575	40.0	36.0	53.0	46.0	60.0	50.0
EAH-03C(UL)	24MUC	3	10,240	6,830	12.0	10.8	16.0	14.0	20.0	15.0
EAH-05C(UL)		5	17,060	12,795	20.0	18.0	27.0	23.0	30.0	25.0
EAH-08C(UL)		8	25,600	19,200	32.0	28.8	42.0	37.0	45.0	40.0
EAH-10C(UL)		10	34,100	25,575	40.0	36.0	53.0	46.0	60.0	50.0
EAH-03C(UL)	30MUC	3	10,240	6,830	12.0	10.8	16.0	14.0	20.0	15.0
EAH-05C(UL)		5	17,060	12,795	20.0	18.0	27.0	23.0	30.0	25.0
EAH-08C(UL)		8	25,600	19,200	32.0	28.8	42.0	37.0	45.0	40.0
EAH-10C(UL)		10	34,100	25,575	40.0	36.0	53.0	46.0	60.0	50.0
EAH-03C(UL)	36MUC	3	10,240	6,830	12.0	10.8	16.0	14.0	20.0	15.0
EAH-05C(UL)		5	17,060	12,795	20.0	18.0	27.0	23.0	30.0	25.0
EAH-08C(UL)		8	25,600	19,200	32.0	28.8	42.0	37.0	45.0	40.0
EAH-10C(UL)		10	34,100	25,575	40.0	36.0	53.0	46.0	60.0	50.0

Part Number	Qty Circuit Breakers	Qty Relays
EAH-03C(UL)	1	1
EAH-05C(UL)	1	1
EAH-08C(UL)	1	2
EAH-10C(UL)	1	2

Auxiliary Electric Heater Kits are designed to be field installed in MUC series air handlers.

Electric Heater Kits include Manual, 1 ea. Sealing Foam, 7 ea. Screws, 1 ea. Rubber Cap, Wiring Diagram and Air Switch Label.



Notes:

1. Ampacities for MCA and Fuse/breaker include the blower motor
3. The heat pump system needs specific airflow. Each ton of cooling requires 350 to 450 cubic feet (CFM) of air per minute, or nominally 400 CFM.
4. Indoor MUC air handler may be powered by the outdoor heat pump.
5. A separate circuit is required for the electric strip heat.
6. A standalone, non communicating air handler would have an MOCP of 15 amps (all sizes).



**33380 Zeiders Road, Suite 101
Menifee, CA 92584**

Phone 888-741-9775

Fax 760-480-8904

www.multimfg-usa.com