



MUC-HH-B

Hyper Heat

Wall Mount / Wall Recessed Heat Pump System

R454b Model



Hyper Heat Inverter System

1.50 Ton - 3.00 Ton



The MUC-HH-B is an upflow air handler that can be installed on platform in a closet, hung on a closet wall or recessed in a wall between studs. This air handler is designed to match with the HHS side discharge inverter Hyper Heat outdoor heat pump.

Typical installations for the MUC-HH-B include:

- Apartments
- Condominiums
- Independent Care Facilities
- Pre Manufactured Homes
- Single Family Home Additions
- Modular Buildings
- Student Housing
- Offices
- Stores



Features

Highly Efficient / High Performance

- Highly Efficient Inverter Compressor
- Air Handler Constant Torque EC Blower Motor, with Available ESP up to 0.80" WC
- Low Amp Draw DC motor in Outdoor HP

Quiet Operation, Inside and Outside

- Low Sone EC motor in MUC Air Handler
- Quiet Inverter Compressor in Outdoor Heat Pump, with low Sound Levels

Heating at Low Ambient Conditions

- Close to Full Heating Capacity down to 5° F
- Standard Base Pan Heaters
- Field Install Auxiliary Electric Strip Heat Kits

Fresh Air

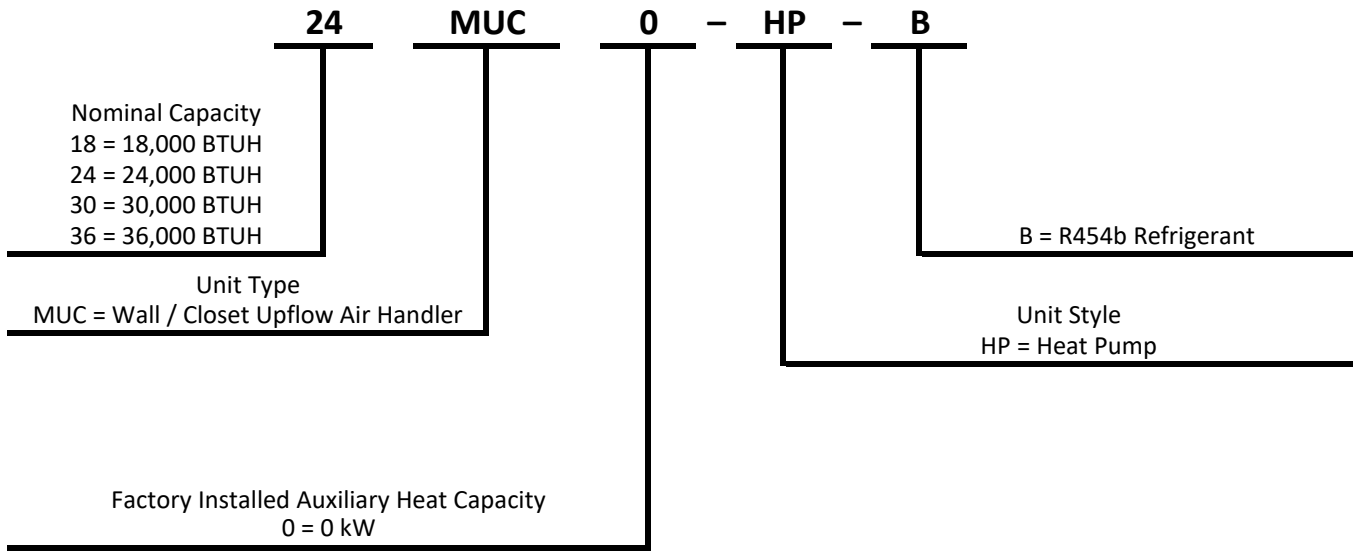
- Optional Field Install OSA Fan-Assisted Fresh Air Package is available

Design

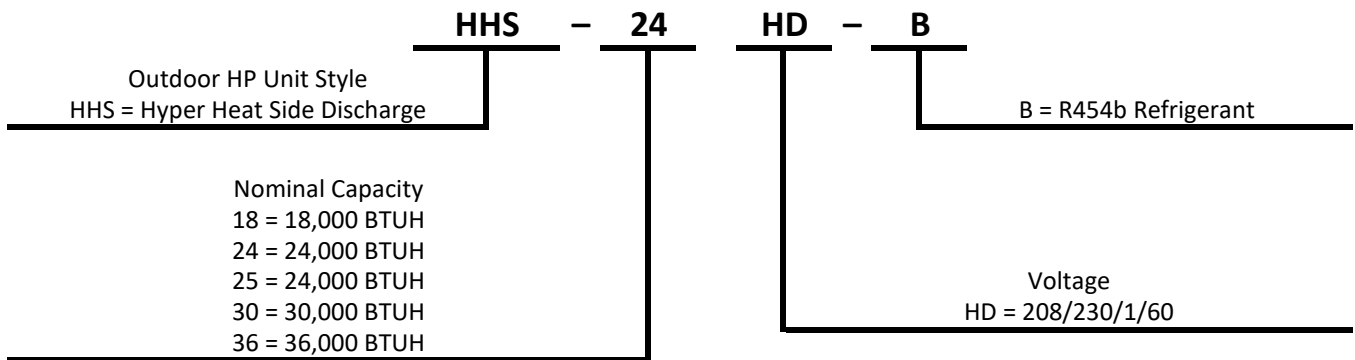
- Standard Front Return Air or Field Convertible to Bottom Return
- Automatic Restart Function
- Indoor Unit can be wired to 115/1 or 208/230/1
- 24V Control Board with High, Medium and Low Motor Speed Settings
- Suction Line Service Port
- Pre-Coated Fins on Evaporator and Condenser Coils
- Crankcase Heater
- Compressor Time Delay
- Compressor Overload and Over Current Protection
- Environmentally Friendly R454b Refrigerant

Nomenclature

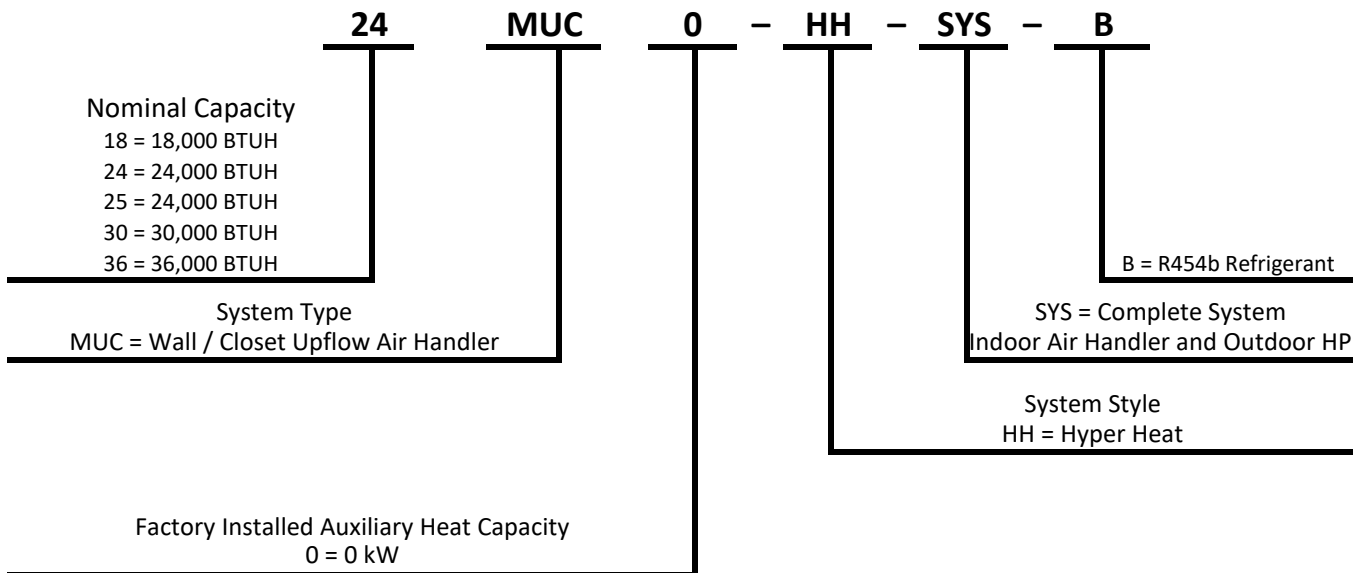
Indoor Unit



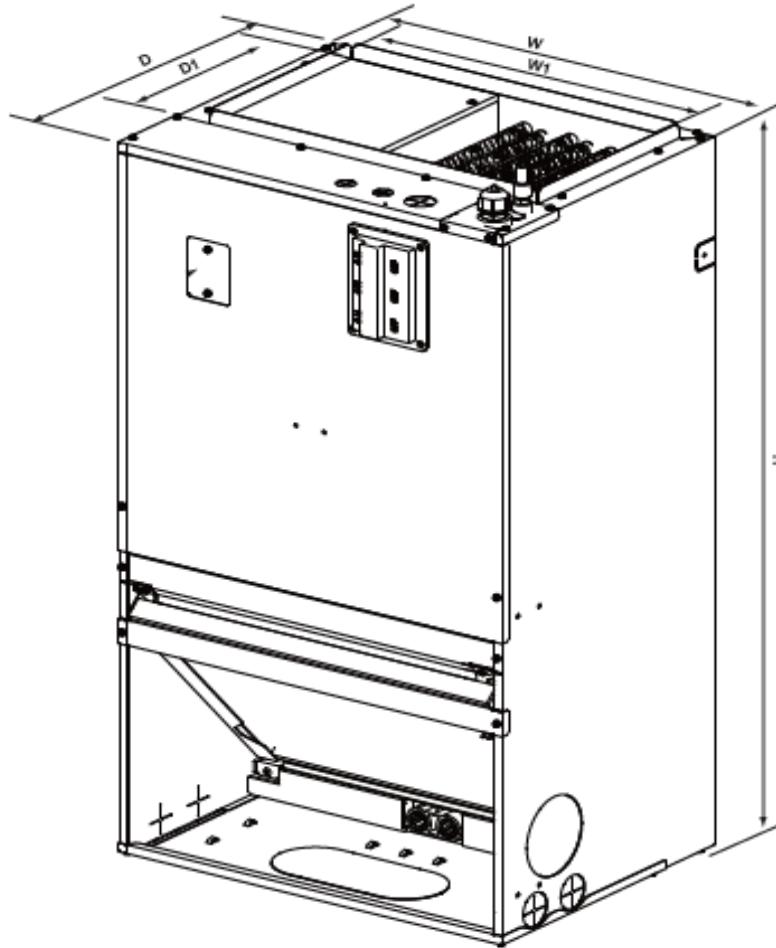
Outdoor Unit



System



Dimensional Data



Unit	Height (H)	Width (W)	Depth (D)	Supply Width (W1)	Supply Depth (D1)	Filter Size	Weight (lbs)
18MUC0-HP-B	36.5	20.3	15.7	17.5	10.5	14 x 18 x 1	89
24MUC0-HP-B	36.5	20.3	15.7	17.5	10.5	14 x 18 x 1	89
30MUC0-HP-B	40.8	22.0	19.0	18.8	9.3	20 x 20 x 1	109
36MUC0-HP-B	40.8	22.0	19.0	18.8	9.3	20 x 20 x 1	109

Dimensions shown are in Inches

Electrical Data

Model Number	Electric Heat			MIN. Circuit Ampacity		MOCP		Fan speed				
	kW	BTUH @ 240V	BTUH @ 208V	240VAC	208VAC	240VAC	208VAC	1	2	3	4	5
18MUC*	0	0	0	/	/	/	/	√	√	√	√	√
	3	10240	6830	16.0	14.0	20	15	√	√	√	√	√
	5	17060	12795	27.0	23.0	30	25	√	√	√	√	√
	8	25600	19200	42.0	37.0	45	40	×	×	√	√	√
	10	34100	25575	53.0	46.0	60	50	×	×	√	√	√
24MUC*	0	0	0	/	/	/	/	√	√	√	√	√
	3	10240	6830	16.0	14.0	20	15	√	√	√	√	√
	5	17060	12795	27.0	23.0	30	25	√	√	√	√	√
	8	25600	19200	42.0	37.0	45	40	×	×	√	√	√
	10	34100	25575	53.0	46.0	60	50	×	×	√	√	√
30MUC*	0	0	0	/	/	/	/	√	√	√	√	√
	3	10240	6830	16.0	14.0	20	15	√	√	√	√	√
	5	17060	12795	27.0	23.0	30	25	√	√	√	√	√
	8	25600	19200	42.0	37.0	45	40	×	√	√	√	√
	10	34100	25575	53.0	46.0	60	50	×	×	√	√	√
36MUC*	0	0	0	/	/	/	/	√	√	√	√	√
	3	10240	6830	16.0	14.0	20	15	√	√	√	√	√
	5	17060	12795	27.0	23.0	30	25	√	√	√	√	√
	8	25600	19200	42.0	37.0	45	40	×	√	√	√	√
	10	34100	25575	53.0	46.0	60	50	×	×	√	√	√

Notes:

1. √ indicates available and × indicates unavailable
2. Ampacities for MCA and Fuse/breaker include the blower motor
3. The heat pump system needs specific airflow. Each ton of cooling requires 350 to 450 cubic feet (CFM) of air per minute, or nominally 400 CFM.
4. Indoor MUC air handler can be powered by the outdoor heat pump.
5. A separate circuit is required for the electric strip heat.
6. A standalone, non communicating air handler would have an MOCP of 15 amps (all sizes).
7. Electric strip heat is available only as a field installed option.

Wall-Mount Air Handler Blower Performance (CFM Dry coil without Filter or Electric Heat)

Model	Speed	External Static Pressure(in.w.c.)				
	Electrical	0	0.2	0.3	0.5	0.8
18MUC*	Turbo	625	625	625	625	625
	Watts	82.6	108.3	121.3	152.1	196.3
	High	584	584	584	584	584
	Watts	70.7	99.6	104.5	132.3	181.3
	Med-High	536	536	536	536	536
	Watts	59.4	78.8	92.5	121.3	166.2
	Low	494	494	494	494	494
24MUC*	Watts	50.6	75.3	104.5	110.4	152.3
	Turbo	833	833	833	833	833
	Watts	161	183	196	243	316
	High	768	768	768	768	768
	Watts	139.8	162	184	212.2	262.3
	Med-Low	702	702	702	702	702
	Watts	110.8	142.8	175.5	208.3	225.3
30MUC*	Low	625	625	625	625	625
	Watts	82.6	108.3	121.3	152.1	196.3
	Turbo	995	995	995	995	995
	Watts	131	183	200.5	245.2	341
	High	912	912	912	912	912
	Watts	99.6	152.4	172.8	206.7	300
	Med-Low	806	806	806	806	806
36MUC*	Watts	76.6	118.8	134.1	175.7	256.2
	Low	706	706	706	706	706
	Watts	54.9	93.8	112.1	153.1	216.2
	Turbo	1202	1202	1202	1202	1202
	Watts	181	259	279.4	337.3	441
	High	1083	1083	1083	1083	1083
	Watts	155.7	218.4	238.3	291.5	385
36MUC*	Med-Low	971	971	971	971	971
	Watts	119.9	171.5	190.3	233.6	326
	Low	865	865	865	865	865
	Watts	88	135	152	196.4	277.5

Dimensional Data

Figure 1

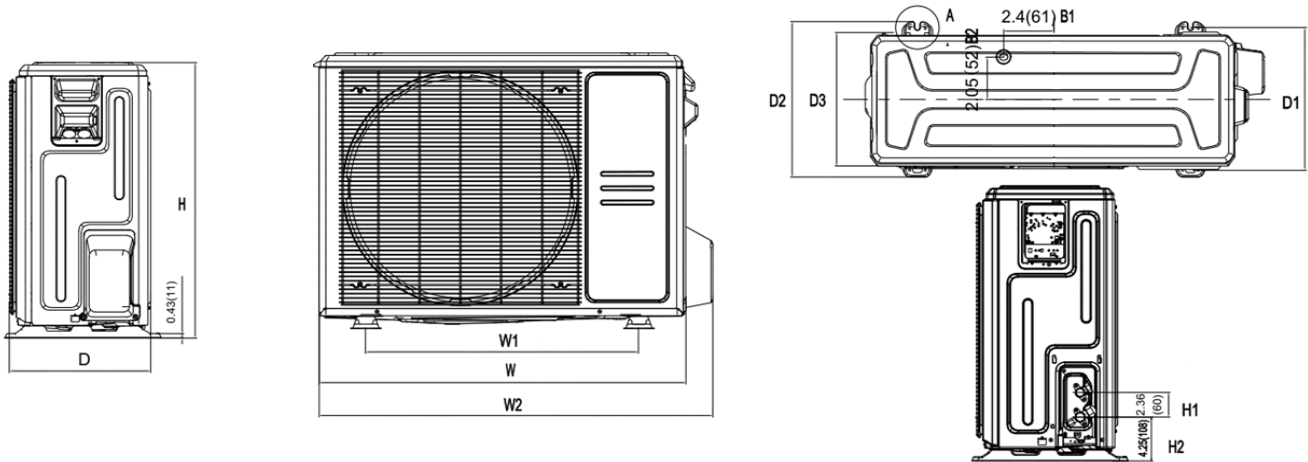
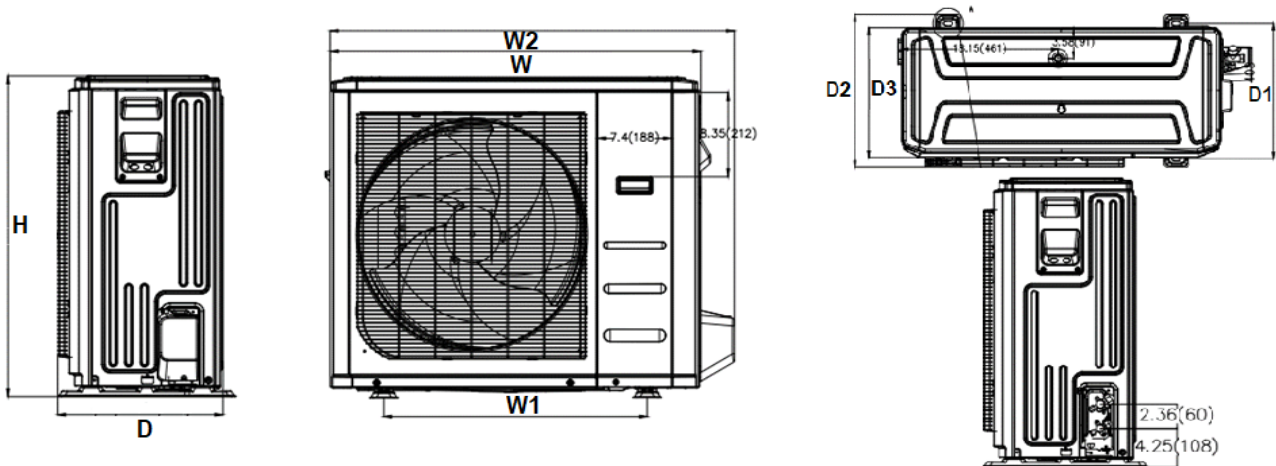


Figure 2

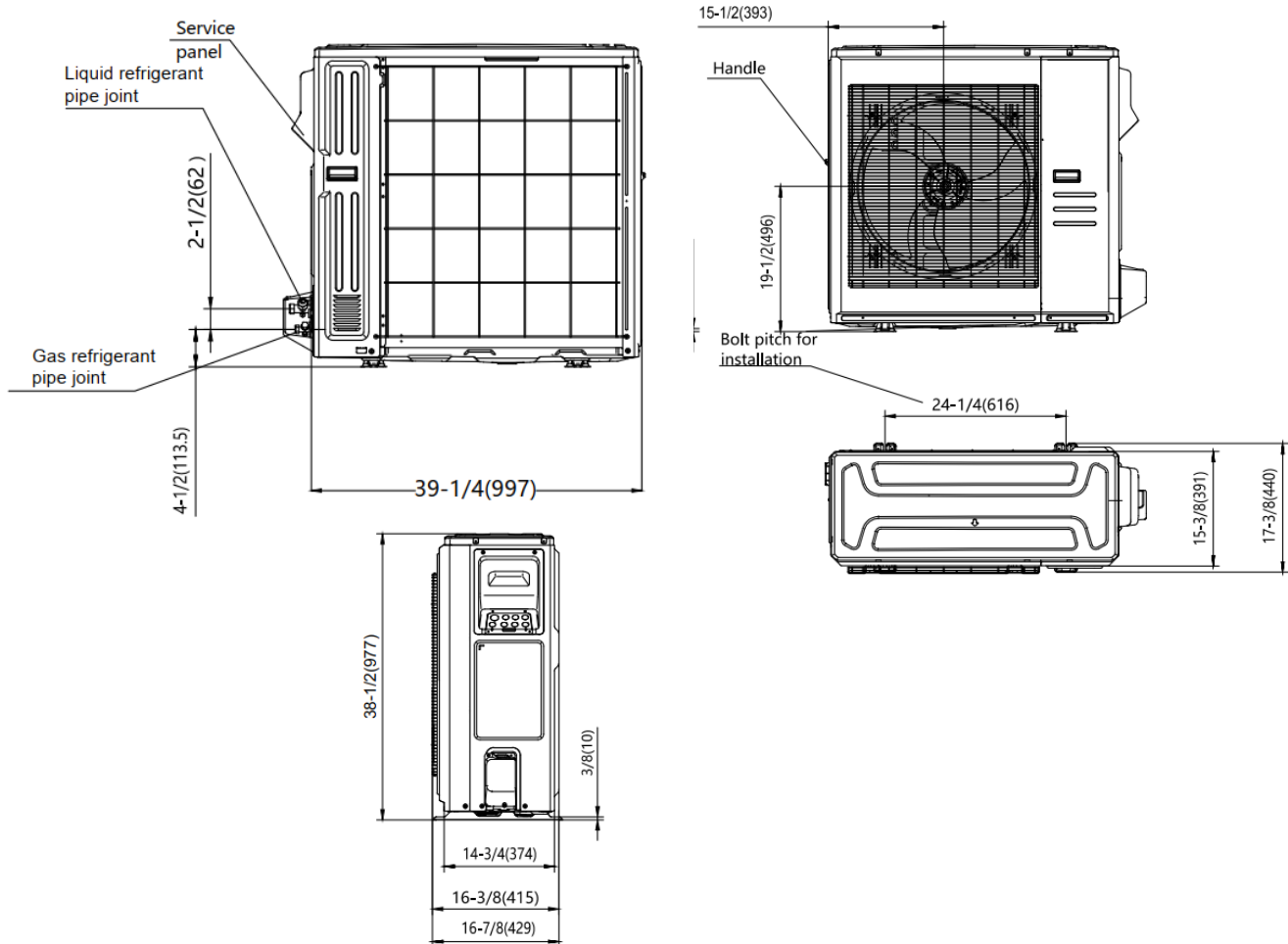


Unit	Figure	Unit Width (W)	Unit Width w/Elec (W2)	Unit Height (H)	Unit Depth (D)	Bracket Width (W1)	Bracket Depth (D2)	Weight (lbs)
HHS-18HD-B	1	35.04	37.63	26.50	13.46	26.13	15.00	103
HHS-24HD-B	1	35.04	37.63	26.50	13.46	26.13	15.00	103
HHS-25HD-B	2	37.25	40.50	31.90	16.15	26.50	17.88	164
HHS-30HD-B	2	37.25	40.50	31.90	16.15	26.50	17.88	164

Dimensions shown are in Inches

Dimensional Data

Figure 3



Unit	Figure	Unit Width (W)	Unit Width w/Elec (W2)	Unit Height (H)	Unit Depth (D)	Bracket Width (W1)	Bracket Depth (D2)	Weight (lbs)
HHS-36HD-B	3	38.58	42.75	38.39	16.38	24.25	17.38	205

Dimensions shown are in Inches

MUC-HH-SYS-B

1.50 ton - 3.00 ton Hyper Heat Systems

System Specifications

System Model		18MUC0-HH-SYS-B	24MUC0-HH-SYS-B	25MUC0-HH-SYS-B
Indoor Model		18MUC0-HP-B	24MUC0-HP-B	24MUC0-HP-B
Outdoor Model		HHS-18HD-B	HHS-24HD-B	HHS-25HD-B
Energy Star (Cold Climate Split HP)		No	Yes	Yes
Energy Star (Meets Peak Cooling Requirements)		Yes	No	Yes
Rated Cooling Capacity	BTU/H	18,000	22,000	24,000
Cooling Capacity Range (Minimum - Maximum)	BTU/H	6,600~21,900	10,100~27,600	12,600~30,000
SEER2		19.30	17.50	18.00
EER2		12.1	11.7	12.0
Rated Heating Capacity at 47°F	BTU/H	19,000	25,000	25,000
Heating Capacity at 17°F	BTU/H	19,600	21,800	25,200
Heating Capacity at 5°F	BTU/H	19,600	19,400	29,000
Heating Capacity at -4°F	BTU/H	16,000	16,000	27,000
Heating Capacity at -13°F	BTU/H	13,200	13,600	25,000
Heating Capacity at -22°F	BTU/H	10,100	10,800	22,000
Heating Capacity Range (Minimum - Maximum)	BTU/H	6,800~23,000	7,000~32,200	11,600~31,000
HSPF2		10.8	10.5	10.2
COP at 47°F	W/W	3.8	3.8	3.8
COP at 17°F	W/W	2.7	2.8	2.4
COP at 5°F	W/W	2.1	2.0	1.8
Room Temperature	Cooling	°F	60~90	60~90
	Heating	°F	32~86	32~86
Operation Temperature	Cooling	°F	-22~122	-22~122
	Heating	°F	-22~75	-22~75

System Model		30MUC0-HH-SYS-B	36MUC0-HH-SYS-B
Indoor Model		30MUC0-HP-B	36MUC0-HP-B
Outdoor Model		HHS-30HD-B	HHS-36HD-B
Energy Star (Cold Climate Split HP)		No	Yes
Energy Star (Meets Peak Cooling Requirements)		Yes	No
Rated Cooling Capacity	BTU/H	30,000	36,000
Cooling Capacity Range (Minimum - Maximum)	BTU/H	11,900~37,800	13,700~41,500
SEER2		17.50	16.80
EER2		11.7	11.2
Rated Heating Capacity at 47°F	BTU/H	32,000	37,000
Heating Capacity at 17°F	BTU/H	31,900	40,000
Heating Capacity at 5°F	BTU/H	32,000	34,600
Heating Capacity at -4°F	BTU/H	29,300	30,600
Heating Capacity at -13°F	BTU/H	24,300	28,600
Heating Capacity at -22°F	BTU/H	18,600	23,600
Heating Capacity Range (Minimum - Maximum)	BTU/H	10,300~40,200	10,100~48,500
HSPF2		10.2	9.6
COP at 47°F	W/W	3.5	3.4
COP at 17°F	W/W	2.6	1.9
COP at 5°F	W/W	2.0	1.8
Room Temperature	Cooling	°F	60~90
	Heating	°F	32~86
Operation Temperature	Cooling	°F	-22~122
	Heating	°F	-22~75

HHS-B

1.50 ton - 3.00 ton Hyper Heat Heat Pump Outdoor Units

Electrical and Piping Data

Model		HHS-18HD-B	HHS-24HD-B	HHS-25HD-B	HHS-30HD-B	HHS-36HD-B
Power Supply	V/Hz/Ph	208/230/60/1				
Compressor	Type	Inverter				
Comm Wiring	Size	AWG 20-2	AWG 20-2	AWG 20-2	AWG 20-2	AWG 20-2
Packaging	H x W x D	29.1 x 39.2 x 15.7	29.1 x 39.2 x 15.7	34.9 x 42.9 x 19.7	34.9 x 42.9 x 19.7	42.5 x 45.1 x 19.7
Packaged Weight	Lbs	109	109	174	174	249
Noise Level	dB(A)	58	58	60.5	60.5	62.5
Liquid - Suction	Inch	3/8 - 3/4	3/8 - 3/4	3/8 - 3/4	3/8 - 3/4	3/8 - 3/4
Max Lineset Length	Feet	98	164	164	164	246
Max Lineset Vertical Lift	Feet	66	82	82	82	98
Refrigerant		R454b	R454b	R454b	R454b	R454b
Refrigerant Precharge	Feet	25	25	25	25	25
Additional Charge Per Foot	Oz	0.70	0.70	0.70	0.70	0.70
Design Pressure	Psi	550	550	550	550	550
Indoor Operating Range	Cooling DB Min / Max	60°F / 90°F	60°F / 90°F	60°F / 90°F	60°F / 90°F	60°F / 90°F
	Heating DB Min / Max	32°F / 86°F	32°F / 86°F	32°F / 86°F	32°F / 86°F	32°F / 86°F
Outdoor Operating Range	Cooling DB Min / Max	-22°F / 122°F	-22°F / 122°F	-22°F / 122°F	-22°F / 122°F	-22°F / 122°F
	Heating DB Min / Max	-22°F / 75°F	-22°F / 75°F	-22°F / 75°F	-22°F / 75°F	-22°F / 75°F

Outdoor Heat Pumps Only							
Unit	V / PH	Oper Volts		Compressor	Fan	MCA	Max Fuse
		Max	Min	Input (W)	Input (W)		
HHS-18HD-B	208/230/1	253	187	2045	80	16.0	20.0
HHS-24HD-B		253	187	2045	80	19.0	20.0
HHS-25HD-B		253	187	3200	120	29.5	30.0
HHS-30HD-B		253	187	3200	120	29.5	30.0
HHS-36HD-B		253	187	3265	250	29.0	30.0

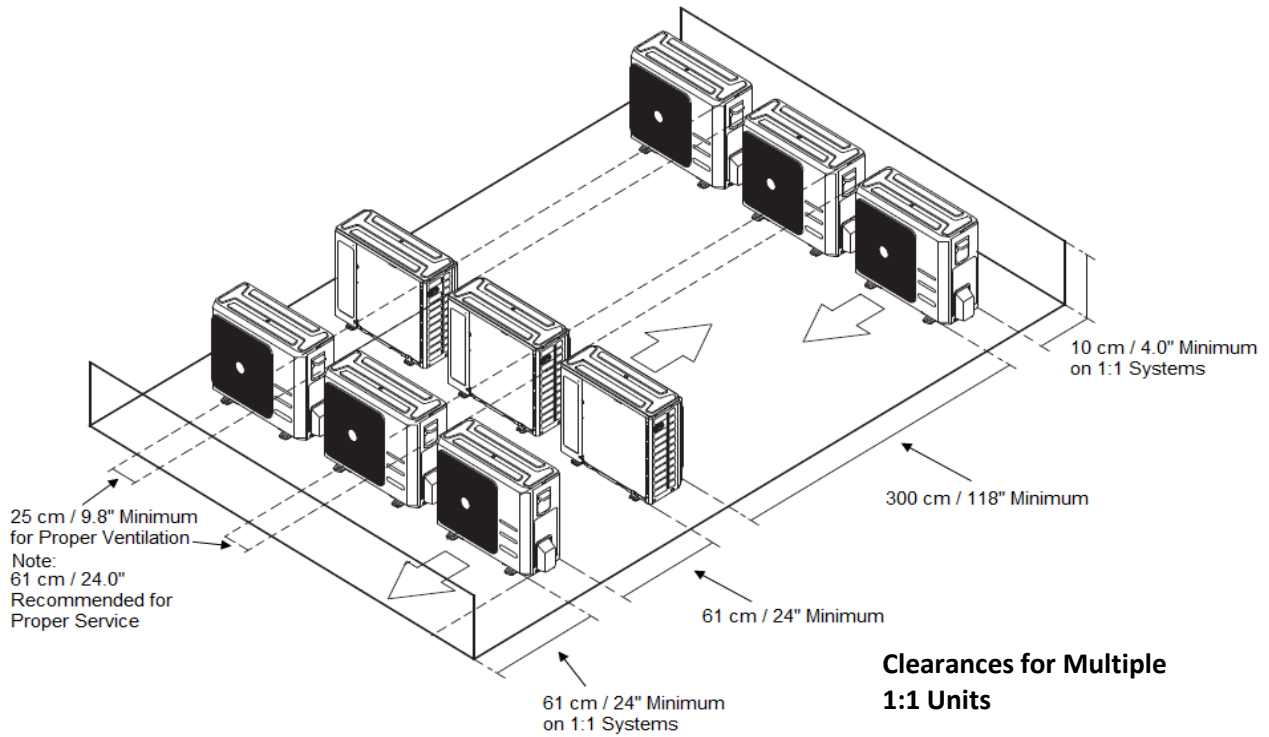
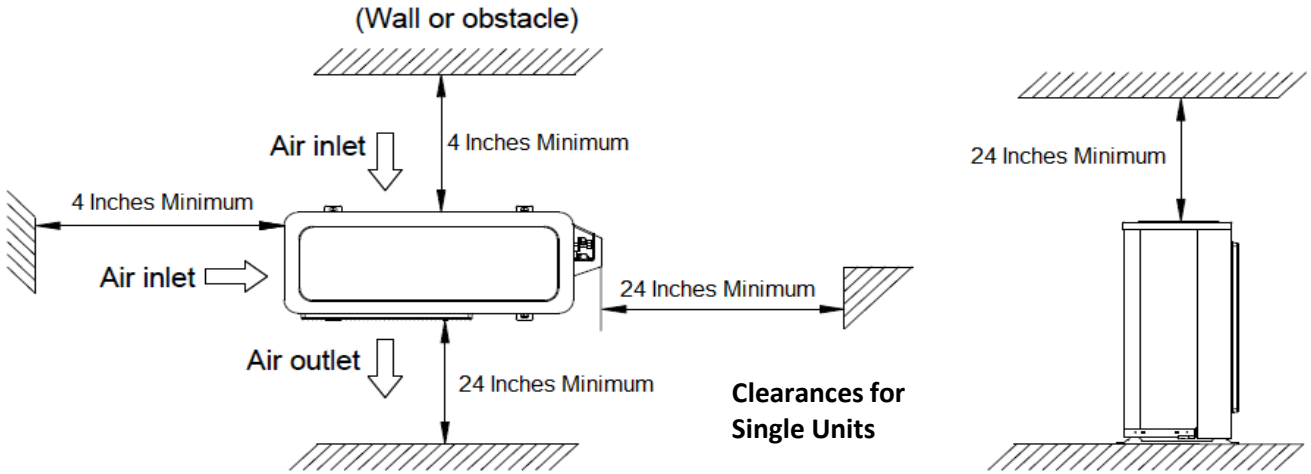
MCA - Minimum Circuit Ampacity

Outdoor Heat Pumps with Matching Indoor Units								
Outdoor Heat Pump				Indoor Fan Coil				
Model	V / PH	MCA	Max Fuse	Model	MCA	Max Fuse	MCA	Max Fuse
		208V / 230V			115V		208V / 230V	
HHS-18HD-B	208/230/1	16.0	20.0	18MUC0-HP-B	5.0	15.0	4.0	15.0
HHS-24HD-B		19.0	20.0	24MUC0-HP-B	5.0	15.0	4.0	15.0
HHS-25HD-B		29.5	30.0	24MUC0-HP-B	5.0	15.0	4.0	15.0
HHS-30HD-B		29.5	30.0	30MUC0-HP-B	8.0	15.0	6.0	15.0
HHS-36HD-B		29.0	30.0	36MUC0-HP-B	8.0	15.0	6.5	15.0

MCA - Minimum Circuit Ampacity

Clearances

HHS-B Outdoor Units



MUC-HH-SYS-B

System Performance

Hyper Heat Systems									
System	Indoor Air Handler	Outdoor HP	SEER2	EER2	COP	HSPF2	BTU Cooling	BTU Heating	AHRI Reference Number
18MUC0-HH-SYS-B	18MUC*-HP-B	HHS-18HD-B	19.30	12.1	3.8	10.8	18,000	19,000	216760044
24MUC0-HH-SYS-B	24MUC*-HP-B	HHS-24HD-B	17.50	10.8	3.8	10.5	24,000	25,000	216760045
25MUC0-HH-SYS-B	24MUC*-HP-B	HHS-25HD-B	17.50	12.0	3.9	10.0	24,000	25,000	217176414
30MUC0-HH-SYS-B	30MUC*-HP-B	HHS-30HD-B	17.50	11.7	3.5	10.2	30,000	32,000	216760046
36MUC0-HH-SYS-B	36MUC*-HP-B	HHS-36HD-B	16.80	11.2	3.4	9.6	36,000	37,000	216760047

Air Handler Noise Level (dBA)

Air Handler	dBA High
18MUC*-HP-B	48.0
24MUC*-HP-B	51.0
30MUC*-HP-B	55.0
36MUC*-HP-B	55.0



Outdoor Heat Pump Noise Level

Heat Pump	dBA
HHS-18HD-B	58.5
HHS-24HD-B	59.0
HHS-25HD-B	62.5
HHS-30HD-B	62.5
HHS-36HD-B	64.0



18MUC-HH-SYS-B Expanded Cooling @ 490 CFM

CFM	OD DB (°F)	ID WB ID DB	60.8°F (16.0°C)					64.4°F (18.0°C)					67°F (19.4°C)					71.6°F (22.0°C)				
			73.4°F	77.0°F	80.0°F	80.6°F	84.2°F	73.4°F	77.0°F	80.0°F	80.6°F	84.2°F	73.4°F	77.0°F	80.0°F	80.6°F	84.2°F	73.4°F	77.0°F	80.0°F	80.6°F	84.2°F
			23.0°C	25.0°C	26.7°C	27.0°C	29.0°C	23.0°C	25.0°C	26.7°C	27.0°C	29.0°C	23.0°C	25.0°C	26.7°C	27.0°C	29.0°C	23.0°C	25.0°C	26.7°C	27.0°C	29.0°C
490	50°F (10°C)	TC	15474	15495	15511	15512	15533	16406	16426	16442	16445	16465	17387	17409	17429	17432	17451	18434	18454	18474	18477	18500
		S/T	0.45	0.52	0.59	0.59	0.68	0.47	0.55	0.63	0.63	0.72	0.50	0.59	0.67	0.67	0.76	0.53	0.62	0.71	0.71	0.81
		PI	0.84	0.84	0.84	0.84	0.84	0.89	0.89	0.89	0.89	0.90	0.95	0.95	0.95	0.95	0.95	1.00	1.00	1.00	1.00	1.01
	59°F (15°C)	TC	16474	16496	16513	16514	16536	17466	17487	17504	17508	17529	18510	18534	18555	18558	18579	19625	19646	19668	19671	19695
		S/T	0.45	0.53	0.60	0.60	0.68	0.47	0.56	0.63	0.63	0.72	0.50	0.59	0.67	0.67	0.76	0.53	0.63	0.71	0.71	0.81
		PI	0.87	0.87	0.88	0.88	0.88	0.93	0.93	0.93	0.93	0.93	0.98	0.98	0.98	0.98	0.98	1.04	1.04	1.04	1.04	1.04
	68°F (20°C)	TC	17473	17497	17516	17516	17540	18526	18548	18566	18570	18592	19633	19659	19680	19684	19706	20816	20839	20861	20865	20891
		S/T	0.46	0.54	0.61	0.61	0.70	0.49	0.57	0.65	0.65	0.74	0.52	0.61	0.69	0.69	0.79	0.55	0.64	0.73	0.73	0.83
		PI	0.90	0.91	0.91	0.91	0.91	0.96	0.96	0.96	0.96	0.96	1.02	1.02	1.02	1.02	1.02	1.08	1.08	1.08	1.08	1.08
	77°F (25°C)	TC	18473	18498	18518	18518	18543	19586	19609	19629	19633	19656	20756	20783	20806	20810	20833	22007	22031	22055	22058	22086
		S/T	0.47	0.55	0.62	0.62	0.71	0.49	0.58	0.66	0.66	0.75	0.52	0.61	0.70	0.70	0.80	0.55	0.65	0.74	0.74	0.84
		PI	0.94	0.94	0.94	0.94	0.94	0.99	0.99	1.00	1.00	1.00	1.05	1.05	1.06	1.06	1.06	1.12	1.12	1.12	1.12	1.12
	82°F (27.8°C)	TC	18629	18654	18675	18675	18701	19752	19775	19795	19799	19822	20932	20959	20983	20987	21010	22193	22217	22242	22245	22273
		S/T	0.47	0.55	0.63	0.63	0.72	0.50	0.59	0.67	0.67	0.76	0.53	0.62	0.71	0.71	0.81	0.56	0.66	0.75	0.75	0.85
		PI	1.03	1.03	1.03	1.03	1.03	1.09	1.09	1.09	1.09	1.09	1.15	1.16	1.16	1.16	1.16	1.22	1.22	1.23	1.23	1.23
	86°F (30°C)	TC	18251	18276	18296	18296	18321	19351	19374	19393	19397	19420	20507	20534	20557	20561	20584	21743	21767	21790	21794	21821
		S/T	0.48	0.56	0.64	0.64	0.73	0.51	0.59	0.68	0.68	0.77	0.54	0.63	0.72	0.72	0.82	0.57	0.67	0.76	0.76	0.86
		PI	1.19	1.19	1.19	1.19	1.20	1.26	1.26	1.27	1.27	1.27	1.34	1.34	1.34	1.34	1.34	1.42	1.42	1.42	1.42	1.42
	95°F (35°C)	TC	17401	17424	17443	17444	17467	18449	18471	18490	18493	18515	19552	19577	19599	19603	19624	20730	20752	20775	20778	20804
		S/T	0.48	0.56	0.64	0.64	0.73	0.51	0.59	0.68	0.68	0.77	0.54	0.63	0.72	0.72	0.82	0.57	0.67	0.76	0.76	0.86
		PI	1.56	1.56	1.56	1.56	1.57	1.65	1.66	1.66	1.66	1.66	1.75	1.76	1.76	1.76	1.76	1.86	1.86	1.86	1.86	1.86
	104°F (40°C)	TC	15572	15593	15609	15610	15631	16510	16530	16546	16549	16569	17496	17519	17539	17542	17561	18551	18571	18591	18594	18617
		S/T	0.49	0.57	0.65	0.65	0.74	0.52	0.61	0.69	0.69	0.79	0.55	0.65	0.73	0.73	0.84	0.58	0.68	0.78	0.78	0.89
		PI	1.56	1.56	1.56	1.56	1.56	1.65	1.65	1.65	1.65	1.66	1.75	1.75	1.75	1.75	1.75	1.85	1.86	1.86	1.86	1.86
	110°F (43°C)	TC	14474	14493	14509	14510	14529	15346	15364	15380	15383	15401	16263	16284	16302	16305	16324	17243	17262	17281	17283	17305
		S/T	0.51	0.60	0.68	0.68	0.77	0.54	0.63	0.72	0.72	0.82	0.57	0.67	0.76	0.76	0.87	0.60	0.71	0.81	0.81	0.92
		PI	1.55	1.56	1.56	1.56	1.56	1.65	1.65	1.65	1.65	1.65	1.75	1.75	1.75	1.75	1.75	1.85	1.85	1.85	1.86	1.86
	115°F (46°C)	TC	13526	13544	13559	13560	13578	14341	14358	14373	14375	14393	15198	15218	15235	15238	15255	16114	16132	16149	16152	16172
		S/T	0.51	0.60	0.68	0.68	0.78	0.54	0.64	0.73	0.73	0.83	0.58	0.68	0.77	0.77	0.88	0.61	0.72	0.82	0.82	0.93
		PI	1.57	1.57	1.58	1.58	1.58	1.67	1.67	1.67	1.67	1.67	1.77	1.77	1.77	1.77	1.77	1.87	1.88	1.88	1.88	1.88
	122°F (50°C)	TC	12263	12279	12292	12293	12310	13002	13017	13030	13033	13048	13778	13796	13812	13814	13830	14609	14625	14640	14643	14661
		S/T	0.53	0.62	0.70	0.70	0.80	0.56	0.65	0.74	0.74	0.85	0.59	0.69	0.79	0.79	0.90	0.63	0.73	0.83	0.83	0.95
		PI	1.60	1.60	1.60	1.60	1.60	1.69	1.70	1.70	1.70	1.70	1.79	1.80	1.80	1.80	1.80	1.90	1.90	1.91	1.91	1.91

TC:Total Cooling Capacity (BTU/hr)

S/T:Sensible Cooling Capacity Ratio

PI:Power Input(kW)

18MUC-HH-SYS-B Expanded Cooling @ 530 CFM

CFM	OD DB (°F)	ID WB ID DB	60.8°F (16.0°C)					64.4°F (18.0°C)					67°F (19.4°C)					71.6°F (22.0°C)				
			73.4°F	77.0°F	80.0°F	80.6°F	84.2°F	73.4°F	77.0°F	80.0°F	80.6°F	84.2°F	73.4°F	77.0°F	80.0°F	80.6°F	84.2°F	73.4°F	77.0°F	80.0°F	80.6°F	84.2°F
			23.0°C	25.0°C	26.7°C	27.0°C	29.0°C	23.0°C	25.0°C	26.7°C	27.0°C	29.0°C	23.0°C	25.0°C	26.7°C	27.0°C	29.0°C	23.0°C	25.0°C	26.7°C	27.0°C	29.0°C
530	50°F (10°C)	TC	16059	16081	16098	16099	16121	17027	17047	17064	17067	17088	18044	18068	18088	18091	18111	19132	19152	19173	19176	19200
		S/T	0.46	0.54	0.62	0.62	0.70	0.49	0.58	0.65	0.65	0.75	0.52	0.61	0.69	0.69	0.79	0.55	0.65	0.73	0.73	0.84
		PI	0.87	0.87	0.88	0.88	0.88	0.93	0.93	0.93	0.93	0.93	0.98	0.98	0.98	0.98	0.98	1.04	1.04	1.04	1.04	1.04
	59°F (15°C)	TC	17097	17120	17138	17139	17162	18127	18149	18166	18170	18192	19210	19235	19256	19260	19282	20368	20390	20412	20415	20440
		S/T	0.46	0.55	0.62	0.62	0.71	0.49	0.58	0.66	0.66	0.75	0.52	0.61	0.70	0.70	0.79	0.55	0.65	0.74	0.74	0.84
		PI	0.91	0.91	0.91	0.91	0.91	0.96	0.96	0.96	0.96	0.96	1.02	1.02	1.02	1.02	1.02	1.08	1.08	1.08	1.08	1.08
	68°F (20°C)	TC	18134	18159	18178	18179	18203	19227	19250	19269	19273	19296	20376	20402	20425	20429	20452	21603	21627	21650	21654	21681
		S/T	0.48	0.56	0.64	0.64	0.73	0.51	0.59	0.67	0.67	0.77	0.54	0.63	0.71	0.71	0.81	0.57	0.67	0.76	0.76	0.86
		PI	0.94	0.94	0.94	0.94	0.94	1.00	1.00	1.00	1.00	1.00	1.06	1.06	1.06	1.06	1.06	1.12	1.12	1.12	1.12	1.12
	77°F (25°C)	TC	19172	19197	19218	19219	19245	20327	20351	20371	20375	20399	21541	21569	21593	21597	21622	22839	22864	22889	22893	22921
		S/T	0.48	0.57	0.64	0.64	0.73	0.51	0.60	0.68	0.68	0.78	0.54	0.64	0.72	0.72	0.83	0.58	0.68	0.77	0.77	0.88
		PI	0.97	0.97	0.97	0.97	0.98	1.03	1.03	1.03	1.03	1.03	1.09	1.09	1.09	1.10	1.10	1.16	1.16	1.16	1.16	1.16
	82°F (27.8°C)	TC	19334	19360	19381	19382	19408	20499	20524	20544	20548	20572	21724	21752	21776	21781	21805	23033	23058	23083	23087	23115
		S/T	0.49	0.57	0.65	0.65	0.74	0.52	0.61	0.69	0.69	0.79	0.55	0.65	0.73	0.73	0.84	0.58	0.68	0.78	0.78	0.89
		PI	1.07	1.07	1.07	1.07	1.07	1.13	1.13	1.13	1.13	1.13	1.20	1.20	1.20	1.20	1.20	1.27	1.27	1.27	1.27	1.27
	86°F (30°C)	TC	18942	18967	18988	18989	19014	20083	20107	20127	20131	20155	21283	21311	21335	21339	21362	22566	22590	22615	22618	22646
		S/T	0.50	0.58	0.66	0.66	0.75	0.53	0.62	0.70	0.70	0.80	0.56	0.65	0.74	0.74	0.85	0.59	0.69	0.79	0.79	0.90
		PI	1.24	1.24	1.24	1.24	1.24	1.31	1.31	1.31	1.31	1.32	1.39	1.39	1.39	1.39	1.39	1.47	1.47	1.48	1.48	1.48
	95°F (35°C)	TC	18059	18083	18103	18104	18128	19147	19170	19189	19193	19216	20291	20318	20340	20344	20367	21514	21537	21561	21564	21591
		S/T	0.50	0.58	0.66	0.66	0.75	0.53	0.62	0.70	0.70	0.80	0.56	0.65	0.74	0.74	0.85	0.59	0.69	0.79	0.79	0.90
		PI	1.62	1.62	1.62	1.62	1.63	1.72	1.72	1.72	1.72	1.72	1.82	1.82	1.82	1.82	1.83	1.93	1.93	1.93	1.93	1.94
	104°F (40°C)	TC	16161	16182	16200	16201	16222	17135	17155	17172	17175	17196	18158	18182	18202	18205	18226	19252	19273	19294	19297	19321
		S/T	0.51	0.60	0.68	0.68	0.77	0.54	0.63	0.72	0.72	0.82	0.57	0.67	0.76	0.76	0.87	0.61	0.71	0.81	0.81	0.92
		PI	1.61	1.62	1.62	1.62	1.62	1.71	1.71	1.72	1.72	1.72	1.81	1.82	1.82	1.82	1.82	1.92	1.93	1.93	1.93	1.93
110°F (43°C)	TC	15022	15042	15058	15059	15079	15927	15946	15961	15965	15984	16878	16900	16919	16922	16941	17895	17915	17934	17937	17959	
	S/T	0.53	0.62	0.70	0.70	0.80	0.56	0.66	0.74	0.74	0.85	0.59	0.69	0.79	0.79	0.90	0.63	0.74	0.84	0.84	0.95	
	PI	1.61	1.61	1.62	1.62	1.62	1.71	1.71	1.71	1.71	1.72	1.81	1.81	1.82	1.82	1.82	1.92	1.92	1.92	1.93	1.93	
115°F (46°C)	TC	14038	14057	14072	14073	14092	14884	14902	14916	14919	14937	15773	15794	15811	15814	15832	16724	16742	16760	16763	16783	
	S/T	0.53	0.63	0.71	0.71	0.81	0.56	0.66	0.75	0.75	0.86	0.60	0.70	0.80	0.80	0.91	0.63	0.74	0.85	0.85	0.96	
	PI	1.63	1.63	1.64	1.64	1.64	1.73	1.73	1.73	1.73	1.74	1.83	1.84	1.84	1.84	1.84	1.94	1.95	1.95	1.95	1.95	
122°F (50°C)	TC	12727	12744	12757	12758	12775	13494	13510	13523	13526	13542	14300	14318	14334	14337	14353	15161	15178	15194	15197	15216	
	S/T	0.55	0.64	0.73	0.73	0.83	0.58	0.68	0.77	0.77	0.88	0.61	0.72	0.82	0.82	0.93	0.65	0.76	0.87	0.87	0.99	
	PI	1.66	1.66	1.66	1.66	1.66	1.76	1.76	1.76	1.76	1.76	1.86	1.86	1.87	1.87	1.87	1.97	1.98	1.98	1.98	1.98	

TC:Total Cooling Capacity (BTU/hr)

S/T:Sensible Cooling Capacity Ratio

PI:Power Input(kW)

18MUC-HH-SYS-B Expanded Cooling @ 580 CFM

CFM	OD DB (°F)	ID WB	60.8°F (16.0°C)					64.4°F (18.0°C)					67°F (19.4°C)					71.6°F (22.0°C)				
			73.4°F	77.0°F	80.0°F	80.6°F	84.2°F	73.4°F	77.0°F	80.0°F	80.6°F	84.2°F	73.4°F	77.0°F	80.0°F	80.6°F	84.2°F	73.4°F	77.0°F	80.0°F	80.6°F	84.2°F
			23.0°C	25.0°C	26.7°C	27.0°C	29.0°C	23.0°C	25.0°C	26.7°C	27.0°C	29.0°C	23.0°C	25.0°C	26.7°C	27.0°C	29.0°C	23.0°C	25.0°C	26.7°C	27.0°C	29.0°C
580	50°F (10°C)	TC	16667	16689	16707	16708	16730	17671	17692	17710	17713	17734	18727	18751	18772	18776	18797	19855	19877	19899	19902	19926
		S/T	0.48	0.56	0.64	0.64	0.73	0.51	0.60	0.68	0.68	0.77	0.54	0.63	0.72	0.72	0.82	0.57	0.67	0.76	0.76	0.87
		PI	0.91	0.91	0.91	0.91	0.91	0.96	0.96	0.96	0.96	0.96	1.02	1.02	1.02	1.02	1.02	1.08	1.08	1.08	1.08	1.08
	59°F (15°C)	TC	17744	17767	17787	17787	17811	18813	18835	18854	18857	18880	19937	19963	19985	19989	20011	21138	21161	21184	21187	21214
		S/T	0.48	0.57	0.64	0.64	0.73	0.51	0.60	0.68	0.68	0.78	0.54	0.64	0.72	0.72	0.82	0.57	0.67	0.77	0.77	0.87
		PI	0.94	0.94	0.94	0.94	0.94	1.00	1.00	1.00	1.00	1.00	1.06	1.06	1.06	1.06	1.06	1.12	1.12	1.12	1.12	1.12
	68°F (20°C)	TC	18820	18846	18866	18867	18892	19954	19978	19998	20002	20025	21147	21174	21198	21202	21225	22421	22445	22470	22473	22501
		S/T	0.50	0.58	0.66	0.66	0.75	0.52	0.62	0.70	0.70	0.80	0.56	0.65	0.74	0.74	0.85	0.59	0.69	0.79	0.79	0.90
		PI	0.97	0.98	0.98	0.98	0.98	1.03	1.03	1.04	1.04	1.04	1.10	1.10	1.10	1.10	1.10	1.16	1.16	1.16	1.16	1.17
	77°F (25°C)	TC	19897	19924	19945	19946	19973	21096	21121	21142	21146	21171	22356	22385	22410	22415	22440	23703	23729	23755	23759	23788
		S/T	0.50	0.59	0.67	0.67	0.76	0.53	0.62	0.71	0.71	0.81	0.56	0.66	0.75	0.75	0.86	0.60	0.70	0.80	0.80	0.91
		PI	1.01	1.01	1.01	1.01	1.01	1.07	1.07	1.07	1.07	1.07	1.13	1.14	1.14	1.14	1.14	1.20	1.20	1.20	1.20	1.21
	82°F (27.8°C)	TC	20066	20093	20114	20115	20142	21275	21300	21321	21325	21351	22546	22575	22600	22604	22630	23904	23930	23956	23960	23990
		S/T	0.51	0.60	0.68	0.68	0.77	0.54	0.63	0.72	0.72	0.82	0.57	0.67	0.76	0.76	0.87	0.61	0.71	0.81	0.81	0.92
		PI	1.11	1.11	1.11	1.11	1.11	1.17	1.17	1.18	1.18	1.18	1.24	1.24	1.25	1.25	1.25	1.32	1.32	1.32	1.32	1.32
	86°F (30°C)	TC	19658	19685	19706	19707	19733	20843	20868	20888	20893	20917	22088	22117	22142	22146	22171	23419	23445	23470	23474	23503
		S/T	0.51	0.60	0.69	0.69	0.78	0.55	0.64	0.73	0.73	0.83	0.58	0.68	0.77	0.77	0.88	0.61	0.72	0.82	0.82	0.93
		PI	1.28	1.28	1.29	1.29	1.29	1.36	1.36	1.36	1.36	1.36	1.44	1.44	1.44	1.45	1.45	1.53	1.53	1.53	1.53	1.53
	95°F (35°C)	TC	18742	18767	18788	18789	18814	19872	19895	19915	19919	19943	21059	21086	21110	21114	21137	22328	22352	22376	22380	22408
		S/T	0.51	0.60	0.69	0.69	0.78	0.55	0.64	0.73	0.73	0.83	0.58	0.68	0.77	0.77	0.88	0.61	0.72	0.82	0.82	0.93
		PI	1.68	1.68	1.68	1.68	1.69	1.78	1.78	1.79	1.79	1.79	1.89	1.89	1.89	1.89	1.89	2.00	2.00	2.01	2.01	2.01
	104°F (40°C)	TC	16772	16795	16813	16813	16836	17783	17804	17821	17825	17846	18845	18870	18891	18894	18915	19981	20002	20024	20027	20052
		S/T	0.53	0.62	0.70	0.70	0.80	0.56	0.66	0.75	0.75	0.85	0.59	0.70	0.79	0.79	0.90	0.63	0.74	0.84	0.84	0.95
		PI	1.68	1.68	1.68	1.68	1.68	1.78	1.78	1.78	1.78	1.78	1.88	1.89	1.89	1.89	1.89	2.00	2.00	2.00	2.00	2.00
110°F (43°C)	TC	15590	15611	15628	15628	15649	16529	16549	16565	16569	16588	17517	17540	17559	17562	17582	18572	18593	18613	18616	18639	
	S/T	0.55	0.64	0.73	0.73	0.83	0.58	0.68	0.77	0.77	0.88	0.61	0.72	0.82	0.82	0.93	0.65	0.76	0.87	0.87	0.99	
	PI	1.67	1.68	1.68	1.68	1.68	1.77	1.78	1.78	1.78	1.78	1.88	1.88	1.88	1.89	1.89	1.99	2.00	2.00	2.00	2.00	
115°F (46°C)	TC	14569	14589	14604	14605	14625	15447	15465	15481	15484	15502	16370	16391	16409	16413	16431	17356	17375	17394	17397	17418	
	S/T	0.55	0.65	0.74	0.74	0.84	0.59	0.69	0.78	0.78	0.89	0.62	0.73	0.83	0.83	0.94	0.66	0.77	0.88	0.88	1.00	
	PI	1.69	1.70	1.70	1.70	1.70	1.80	1.80	1.80	1.80	1.80	1.90	1.91	1.91	1.91	1.91	2.02	2.02	2.02	2.02	2.02	
122°F (50°C)	TC	13208	13226	13240	13241	13258	14004	14021	14034	14037	14054	14841	14860	14877	14879	14896	15735	15752	15769	15772	15791	
	S/T	0.57	0.66	0.75	0.75	0.86	0.60	0.70	0.80	0.80	0.91	0.64	0.75	0.85	0.85	0.97	0.67	0.79	0.90	0.90	1.00	
	PI	1.72	1.72	1.72	1.72	1.73	1.82	1.83	1.83	1.83	1.83	1.93	1.94	1.94	1.94	1.94	2.05	2.05	2.05	2.05	2.06	

TC:Total Cooling Capacity (BTU/hr)

S/T:Sensible Cooling Capacity Ratio

PI:Power Input(kW)

18MUC-HH-SYS-B Expanded Cooling @ 620 CFM

CFM	OD DB (°F)	ID WB ID DB	60.8°F (16.0°C)					64.4°F (18.0°C)					67°F (19.4°C)					71.6°F (22.0°C)				
			73.4°F	77.0°F	80.0°F	80.6°F	84.2°F	73.4°F	77.0°F	80.0°F	80.6°F	84.2°F	73.4°F	77.0°F	80.0°F	80.6°F	84.2°F	73.4°F	77.0°F	80.0°F	80.6°F	84.2°F
			23.0°C	25.0°C	26.7°C	27.0°C	29.0°C	23.0°C	25.0°C	26.7°C	27.0°C	29.0°C	23.0°C	25.0°C	26.7°C	27.0°C	29.0°C	23.0°C	25.0°C	26.7°C	27.0°C	29.0°C
620	50°F (10°C)	TC	17297	17321	17339	17340	17363	18340	18361	18380	18383	18405	19435	19461	19482	19486	19508	20606	20629	20651	20655	20680
		S/T	0.50	0.58	0.66	0.66	0.76	0.53	0.62	0.70	0.70	0.80	0.56	0.66	0.75	0.75	0.85	0.59	0.70	0.79	0.79	0.90
		PI	0.94	0.94	0.94	0.94	0.94	1.00	1.00	1.00	1.00	1.00	1.06	1.06	1.06	1.06	1.06	1.12	1.12	1.12	1.12	1.12
	59°F (15°C)	TC	18415	18440	18459	18460	18485	19525	19548	19567	19571	19594	20691	20718	20741	20745	20768	21938	21962	21985	21989	22016
		S/T	0.50	0.59	0.67	0.67	0.76	0.53	0.62	0.71	0.71	0.81	0.56	0.66	0.75	0.75	0.86	0.60	0.70	0.80	0.80	0.91
		PI	0.98	0.98	0.98	0.98	0.98	1.03	1.04	1.04	1.04	1.04	1.10	1.10	1.10	1.10	1.10	1.16	1.16	1.17	1.17	1.17
	68°F (20°C)	TC	19532	19558	19580	19580	19607	20709	20734	20754	20758	20783	21947	21975	22000	22004	22028	23269	23294	23320	23323	23352
		S/T	0.51	0.60	0.69	0.69	0.78	0.54	0.64	0.73	0.73	0.83	0.58	0.68	0.77	0.77	0.88	0.61	0.72	0.82	0.82	0.93
		PI	1.01	1.01	1.01	1.01	1.02	1.07	1.07	1.07	1.08	1.08	1.14	1.14	1.14	1.14	1.14	1.21	1.21	1.21	1.21	1.21
	77°F (25°C)	TC	20650	20677	20700	20701	20729	21894	21920	21942	21946	21972	23202	23232	23258	23263	23288	24600	24627	24654	24658	24688
		S/T	0.52	0.61	0.69	0.69	0.79	0.55	0.65	0.74	0.74	0.84	0.59	0.69	0.78	0.78	0.89	0.62	0.73	0.83	0.83	0.94
		PI	1.05	1.05	1.05	1.05	1.05	1.11	1.11	1.11	1.11	1.11	1.18	1.18	1.18	1.18	1.18	1.25	1.25	1.25	1.25	1.25
	82°F (27.8°C)	TC	20825	20853	20875	20876	20904	22080	22106	22128	22132	22158	23399	23429	23455	23460	23486	24809	24836	24863	24866	24897
		S/T	0.53	0.62	0.70	0.70	0.80	0.56	0.66	0.75	0.75	0.85	0.59	0.70	0.79	0.79	0.90	0.63	0.74	0.84	0.84	0.95
		PI	1.15	1.15	1.15	1.15	1.15	1.22	1.22	1.22	1.22	1.22	1.29	1.29	1.29	1.29	1.29	1.37	1.37	1.37	1.37	1.37
	86°F (30°C)	TC	20402	20430	20452	20452	20480	21632	21657	21679	21683	21709	22924	22954	22979	22984	23009	24305	24332	24358	24362	24392
		S/T	0.53	0.63	0.71	0.71	0.81	0.57	0.66	0.75	0.75	0.86	0.60	0.70	0.80	0.80	0.91	0.64	0.75	0.85	0.85	0.97
		PI	1.33	1.33	1.33	1.33	1.34	1.41	1.41	1.41	1.41	1.42	1.50	1.50	1.50	1.50	1.50	1.59	1.59	1.59	1.59	1.59
	95°F (35°C)	TC	19451	19477	19498	19499	19526	20624	20648	20668	20672	20697	21856	21884	21908	21913	21937	23173	23198	23223	23227	23255
		S/T	0.53	0.63	0.71	0.71	0.81	0.57	0.66	0.75	0.75	0.86	0.60	0.70	0.80	0.80	0.91	0.64	0.75	0.85	0.85	0.97
		PI	1.74	1.75	1.75	1.75	1.75	1.85	1.85	1.85	1.85	1.86	1.96	1.96	1.96	1.96	1.97	2.08	2.08	2.08	2.08	2.08
	104°F (40°C)	TC	17407	17430	17449	17449	17473	18456	18477	18496	18499	18521	19558	19584	19605	19609	19631	20737	20759	20782	20785	20811
		S/T	0.55	0.64	0.73	0.73	0.83	0.58	0.68	0.77	0.77	0.88	0.62	0.72	0.82	0.82	0.93	0.65	0.76	0.87	0.87	0.99
		PI	1.74	1.74	1.74	1.74	1.75	1.84	1.85	1.85	1.85	1.85	1.95	1.96	1.96	1.96	1.96	2.07	2.07	2.08	2.08	2.08
110°F (43°C)	TC	16180	16201	16219	16220	16241	17155	17175	17192	17195	17216	18180	18203	18223	18227	18247	19275	19296	19317	19320	19344	
	S/T	0.57	0.67	0.76	0.76	0.86	0.60	0.71	0.80	0.80	0.91	0.64	0.75	0.85	0.85	0.97	0.68	0.79	0.90	0.90	1.00	
	PI	1.74	1.74	1.74	1.74	1.74	1.84	1.84	1.85	1.85	1.85	1.95	1.95	1.96	1.96	1.96	2.07	2.07	2.07	2.07	2.08	
115°F (46°C)	TC	15120	15141	15157	15158	15178	16031	16050	16066	16069	16089	16989	17011	17030	17033	17052	18013	18032	18052	18055	18077	
	S/T	0.57	0.67	0.77	0.77	0.87	0.61	0.71	0.81	0.81	0.92	0.65	0.76	0.86	0.86	0.98	0.68	0.80	0.91	0.91	1.00	
	PI	1.76	1.76	1.76	1.76	1.76	1.86	1.87	1.87	1.87	1.87	1.97	1.98	1.98	1.98	1.98	2.09	2.10	2.10	2.10	2.10	
122°F (50°C)	TC	13708	13726	13741	13742	13760	14534	14551	14565	14568	14586	15402	15422	15439	15442	15459	16330	16348	16366	16368	16389	
	S/T	0.59	0.69	0.78	0.78	0.89	0.62	0.73	0.83	0.83	0.95	0.66	0.77	0.88	0.88	1.00	0.70	0.82	0.93	0.93	1.00	
	PI	1.79	1.79	1.79	1.79	1.79	1.89	1.90	1.90	1.90	1.90	2.01	2.01	2.01	2.01	2.01	2.13	2.13	2.13	2.13	2.13	

TC:Total Cooling Capacity (BTU/hr)

S/T:Sensible Cooling Capacity Ratio

PI:Power Input(kW)

18MUC-HH-SYS-B Expanded Heating @ 490 CFM

CFM	HEATING PERFORMANCE AT INDOOR DRY BULB TEMPERATURE										
	ODDB	TC : Total Heating Capacity(BTU/hr)					PI : Power Input(kW)				
		Indoor Conditions (DB °F)					Indoor Conditions (DB °F)				
		60.8°F	68°F	70°F	71.6°F	75.2°F	60.8°F	68°F	70°F	71.6°F	75.2°F
490	-22°F	10098	9896	9847	9732	9644	2.05	2.07	2.07	2.07	2.08
	-13°F	12834	12577	12514	11893	11786	2.16	2.17	2.18	2.18	2.19
	-4°F	15576	15265	15188	14434	14304	2.28	2.30	2.30	2.31	2.31
	0°F	16995	16655	16572	15749	15607	2.40	2.42	2.43	2.43	2.44
	5°F	18769	18394	18302	17393	17236	2.56	2.58	2.59	2.59	2.60
	14°F	18724	18350	18258	17352	17195	2.40	2.42	2.42	2.43	2.44
	17°F	18710	18335	18244	17338	17182	2.34	2.36	2.37	2.37	2.38
	22°F	18334	17967	17877	16990	16837	2.22	2.24	2.24	2.25	2.26
	27°F	17958	17599	17511	16642	16492	2.10	2.11	2.12	2.12	2.13
	32°F	17583	17231	17145	16294	16147	1.97	1.99	1.99	2.00	2.00
	35°F	17357	17010	16925	16085	15940	1.90	1.91	1.92	1.92	1.93
	37°F	17977	17618	17529	16659	16509	1.89	1.91	1.91	1.91	1.92
	42°F	19527	19136	19040	18095	17932	1.88	1.89	1.90	1.90	1.91
	44.6°F	20146	19743	19645	18669	18501	1.87	1.89	1.89	1.90	1.90
	47°F	21076	20655	20551	19531	19355	1.87	1.88	1.89	1.89	1.90
	52°F	19539	19148	19052	18106	17943	1.76	1.78	1.78	1.78	1.79
	57°F	18001	17641	17553	16681	16531	1.66	1.67	1.67	1.68	1.68
	59°F	17386	17038	16953	16111	15966	1.61	1.63	1.63	1.63	1.64
62°F	16464	16134	16054	15256	15119	1.55	1.56	1.57	1.57	1.57	
64.4°F	15849	15532	15454	14687	14554	1.51	1.52	1.52	1.53	1.53	

18MUC-HH-SYS-B Expanded Heating @ 530 CFM

CFM	HEATING PERFORMANCE AT INDOOR DRY BULB TEMPERATURE										
	ODDB	TC : Total Heating Capacity(BTU/hr)					PI : Power Input(kW)				
		Indoor Conditions (DB °F)					Indoor Conditions (DB °F)				
		60.8°F	68°F	70°F	71.6°F	75.2°F	60.8°F	68°F	70°F	71.6°F	75.2°F
530	-22°F	10688	10474	10422	10340	10247	2.07	2.09	2.09	2.09	2.10
	-13°F	13320	13053	12988	12636	12522	2.18	2.20	2.20	2.20	2.21
	-4°F	16165	15842	15763	15336	15198	2.30	2.32	2.32	2.33	2.34
	0°F	17638	17285	17199	16733	16582	2.43	2.45	2.45	2.46	2.47
	5°F	19479	19090	18994	18479	18313	2.59	2.61	2.61	2.62	2.63
	14°F	19433	19044	18949	18436	18270	2.42	2.44	2.45	2.45	2.46
	17°F	19417	19029	18934	18421	18255	2.37	2.39	2.39	2.40	2.40
	22°F	19028	18647	18554	18051	17889	2.24	2.26	2.26	2.27	2.28
	27°F	18638	18265	18174	17681	17522	2.12	2.13	2.14	2.14	2.15
	32°F	18248	17883	17793	17311	17156	1.99	2.01	2.01	2.02	2.02
	35°F	18014	17654	17565	17089	16936	1.92	1.93	1.94	1.94	1.95
	37°F	18657	18284	18193	17700	17540	1.91	1.93	1.93	1.93	1.94
	42°F	20265	19860	19761	19225	19052	1.90	1.91	1.92	1.92	1.93
	44.6°F	20909	20490	20388	19835	19657	1.89	1.91	1.91	1.92	1.92
	47°F	21873	21436	21329	20751	20564	1.89	1.90	1.90	1.91	1.92
	52°F	20278	19872	19773	19237	19064	1.78	1.79	1.80	1.80	1.81
	57°F	18682	18308	18217	17723	17564	1.67	1.69	1.69	1.69	1.70
59°F	18044	17683	17594	17118	16964	1.63	1.64	1.65	1.65	1.66	
62°F	17086	16745	16661	16209	16064	1.57	1.58	1.58	1.58	1.59	
64.4°F	16448	16119	16039	15604	15464	1.52	1.53	1.54	1.54	1.55	

18MUC-HH-SYS-B Expanded Heating @ 580 CFM

CFM	HEATING PERFORMANCE AT INDOOR DRY BULB TEMPERATURE										
	ODDB	TC : Total Heating Capacity(BTU/hr)					PI : Power Input(kW)				
		Indoor Conditions (DB °F)					Indoor Conditions (DB °F)				
		60.8°F	68°F	70°F	71.6°F	75.2°F	60.8°F	68°F	70°F	71.6°F	75.2°F
580	-22°F	11312	11085	11030	10986	10887	2.09	2.11	2.11	2.12	2.12
	-13°F	13823	13547	13479	13425	13305	2.20	2.22	2.22	2.23	2.24
	-4°F	16777	16441	16359	16294	16147	2.32	2.34	2.35	2.35	2.36
	0°F	18305	17939	17850	17778	17618	2.45	2.47	2.48	2.48	2.49
	5°F	20216	19812	19713	19634	19457	2.61	2.64	2.64	2.65	2.66
	14°F	20168	19765	19666	19587	19411	2.45	2.47	2.47	2.48	2.49
	17°F	20152	19749	19650	19572	19395	2.39	2.41	2.41	2.42	2.43
	22°F	19747	19352	19256	19179	19006	2.26	2.28	2.29	2.29	2.30
	27°F	19343	18956	18861	18786	18617	2.14	2.16	2.16	2.16	2.17
	32°F	18938	18559	18467	18393	18227	2.01	2.03	2.03	2.04	2.04
	35°F	18695	18321	18230	18157	17994	1.94	1.95	1.96	1.96	1.97
	37°F	19363	18976	18881	18805	18636	1.93	1.95	1.95	1.95	1.96
	42°F	21032	20611	20508	20426	20242	1.92	1.93	1.94	1.94	1.95
	44.6°F	21699	21265	21159	21075	20885	1.91	1.93	1.93	1.94	1.94
	47°F	22701	22247	22136	22047	21849	1.90	1.92	1.92	1.93	1.94
	52°F	21045	20624	20521	20439	20255	1.80	1.81	1.81	1.82	1.83
	57°F	19389	19001	18906	18830	18661	1.69	1.70	1.71	1.71	1.72
	59°F	18726	18352	18260	18187	18023	1.65	1.66	1.66	1.67	1.67
62°F	17733	17378	17291	17222	17067	1.58	1.59	1.60	1.60	1.61	
64.4°F	17070	16729	16645	16579	16429	1.54	1.55	1.55	1.56	1.56	

18MUC-HH-SYS-B Expanded Heating @ 620 CFM

CFM	HEATING PERFORMANCE AT INDOOR DRY BULB TEMPERATURE										
	ODDB	TC : Total Heating Capacity(BTU/hr)					PI : Power Input(kW)				
		Indoor Conditions (DB °F)					Indoor Conditions (DB °F)				
		60.8°F	68°F	70°F	71.6°F	75.2°F	60.8°F	68°F	70°F	71.6°F	75.2°F
620	-22°F	11740	11505	11447	11401	11299	2.11	2.13	2.13	2.14	2.15
	-13°F	14346	14059	13989	13933	13808	2.22	2.24	2.25	2.25	2.26
	-4°F	17412	17063	16978	16910	16758	2.35	2.37	2.37	2.38	2.39
	0°F	18998	18618	18525	18451	18285	2.48	2.50	2.50	2.51	2.52
	5°F	20981	20561	20458	20377	20193	2.64	2.66	2.67	2.67	2.68
	14°F	20931	20512	20410	20328	20145	2.47	2.49	2.50	2.50	2.51
	17°F	20914	20496	20394	20312	20129	2.41	2.43	2.44	2.44	2.45
	22°F	20494	20085	19984	19904	19725	2.29	2.31	2.31	2.31	2.32
	27°F	20074	19673	19575	19496	19321	2.16	2.18	2.18	2.19	2.19
	32°F	19655	19262	19165	19089	18917	2.03	2.05	2.05	2.06	2.06
	35°F	19403	19015	18920	18844	18674	1.96	1.97	1.98	1.98	1.99
	37°F	20095	19694	19595	19517	19341	1.95	1.97	1.97	1.97	1.98
	42°F	21828	21391	21284	21199	21008	1.94	1.95	1.96	1.96	1.97
	44.6°F	22520	22070	21960	21872	21675	1.93	1.95	1.95	1.95	1.96
	47°F	23560	23088	22973	22881	22675	1.92	1.94	1.94	1.95	1.95
	52°F	21841	21404	21297	21212	21021	1.81	1.83	1.83	1.84	1.84
	57°F	20122	19720	19621	19543	19367	1.71	1.72	1.72	1.73	1.73
59°F	19435	19046	18951	18875	18705	1.66	1.68	1.68	1.68	1.69	
62°F	18404	18035	17945	17874	17713	1.60	1.61	1.61	1.62	1.62	
64.4°F	17716	17362	17275	17206	17051	1.55	1.57	1.57	1.57	1.58	

24MUC-HH-SYS-B Expanded Cooling @ 629 CFM

CFM	OD DB (°F)	ID WB ID DB	60.8°F (16.0°C)					64.4°F (18.0°C)					67°F (19.4°C)					71.6°F (22.0°C)				
			73.4°F	77.0°F	80.0°F	80.6°F	84.2°F	73.4°F	77.0°F	80.0°F	80.6°F	84.2°F	73.4°F	77.0°F	80.0°F	80.6°F	84.2°F	73.4°F	77.0°F	80.0°F	80.6°F	84.2°F
			23.0°C	25.0°C	26.7°C	27.0°C	29.0°C	23.0°C	25.0°C	26.7°C	27.0°C	29.0°C	23.0°C	25.0°C	26.7°C	27.0°C	29.0°C	23.0°C	25.0°C	26.7°C	27.0°C	29.0°C
629	50°F (10°C)	TC	18212	18237	18256	18257	18282	19310	19333	19352	19356	19379	20463	20490	20513	20517	20540	21696	21720	21744	21747	21774
		S/T	0.43	0.50	0.57	0.57	0.65	0.45	0.53	0.60	0.60	0.69	0.48	0.56	0.64	0.64	0.73	0.51	0.60	0.68	0.68	0.77
		PI	0.82	0.82	0.82	0.82	0.82	0.87	0.87	0.87	0.87	0.87	0.92	0.92	0.92	0.92	0.92	0.97	0.98	0.98	0.98	0.98
	59°F (15°C)	TC	18513	18537	18557	18558	18583	19628	19651	19671	19675	19698	20801	20828	20851	20855	20878	22054	22078	22102	22106	22133
		S/T	0.43	0.50	0.57	0.57	0.65	0.45	0.53	0.60	0.60	0.69	0.48	0.56	0.64	0.64	0.73	0.51	0.60	0.68	0.68	0.77
		PI	0.88	0.88	0.88	0.88	0.88	0.93	0.93	0.93	0.93	0.93	0.99	0.99	0.99	0.99	0.99	1.04	1.05	1.05	1.05	1.05
	68°F (20°C)	TC	18813	18838	18858	18859	18885	19947	19970	19990	19994	20018	21138	21166	21189	21193	21217	22412	22436	22461	22464	22492
		S/T	0.44	0.52	0.59	0.59	0.67	0.47	0.55	0.62	0.62	0.71	0.49	0.58	0.66	0.66	0.75	0.52	0.61	0.70	0.70	0.80
		PI	0.94	0.94	0.94	0.94	0.94	0.99	0.99	0.99	0.99	1.00	1.05	1.05	1.05	1.05	1.06	1.11	1.12	1.12	1.12	1.12
	77°F (25°C)	TC	19113	19139	19159	19160	19186	20265	20289	20309	20313	20337	21476	21504	21528	21532	21556	22770	22794	22819	22823	22851
		S/T	0.45	0.52	0.59	0.59	0.68	0.47	0.55	0.63	0.63	0.72	0.50	0.59	0.67	0.67	0.76	0.53	0.62	0.71	0.71	0.81
		PI	0.99	1.00	1.00	1.00	1.00	1.05	1.06	1.06	1.06	1.06	1.12	1.12	1.12	1.12	1.12	1.19	1.19	1.19	1.19	1.19
	82°F (27.8°C)	TC	19448	19474	19495	19496	19523	20620	20645	20665	20669	20694	21852	21881	21905	21909	21934	23169	23194	23219	23223	23252
		S/T	0.45	0.53	0.60	0.60	0.69	0.48	0.56	0.64	0.64	0.73	0.51	0.59	0.68	0.68	0.77	0.54	0.63	0.72	0.72	0.82
		PI	1.17	1.17	1.17	1.17	1.17	1.24	1.24	1.24	1.24	1.24	1.31	1.31	1.31	1.31	1.32	1.39	1.39	1.39	1.39	1.39
	86°F (30°C)	TC	19929	19956	19977	19978	20005	21130	21155	21176	21180	21205	22392	22421	22446	22450	22476	23741	23767	23793	23797	23826
		S/T	0.46	0.54	0.61	0.61	0.69	0.48	0.57	0.65	0.65	0.74	0.51	0.60	0.68	0.68	0.78	0.54	0.64	0.72	0.72	0.83
		PI	1.48	1.48	1.48	1.48	1.48	1.57	1.57	1.57	1.57	1.57	1.66	1.66	1.67	1.67	1.67	1.76	1.76	1.77	1.77	1.77
	95°F (35°C)	TC	21010	21038	21061	21062	21090	22276	22302	22324	22329	22355	23607	23638	23664	23668	23695	25029	25057	25084	25088	25119
		S/T	0.46	0.54	0.61	0.61	0.69	0.48	0.57	0.65	0.65	0.74	0.51	0.60	0.68	0.68	0.78	0.54	0.64	0.72	0.72	0.83
		PI	2.18	2.19	2.19	2.19	2.19	2.31	2.32	2.32	2.32	2.32	2.45	2.46	2.46	2.46	2.46	2.60	2.60	2.61	2.61	2.61
	104°F (40°C)	TC	19191	19216	19237	19238	19264	20347	20371	20391	20395	20420	21563	21591	21615	21619	21643	22862	22887	22912	22915	22944
		S/T	0.47	0.55	0.62	0.62	0.71	0.50	0.58	0.66	0.66	0.75	0.53	0.62	0.70	0.70	0.80	0.56	0.65	0.74	0.74	0.85
		PI	2.17	2.17	2.18	2.18	2.18	2.30	2.31	2.31	2.31	2.31	2.44	2.44	2.45	2.45	2.45	2.59	2.59	2.59	2.59	2.60
110°F (43°C)	TC	18099	18123	18143	18144	18168	19190	19213	19232	19235	19258	20336	20363	20385	20389	20412	21562	21585	21609	21612	21639	
	S/T	0.49	0.57	0.65	0.65	0.74	0.51	0.60	0.69	0.69	0.78	0.54	0.64	0.73	0.73	0.83	0.58	0.68	0.77	0.77	0.88	
	PI	2.17	2.17	2.17	2.17	2.17	2.30	2.30	2.30	2.30	2.30	2.43	2.44	2.44	2.44	2.44	2.58	2.58	2.59	2.59	2.59	
115°F (46°C)	TC	14845	14865	14881	14882	14902	15740	15758	15774	15777	15796	16680	16702	16720	16723	16742	17685	17704	17724	17726	17748	
	S/T	0.49	0.58	0.65	0.65	0.75	0.52	0.61	0.69	0.69	0.79	0.55	0.65	0.74	0.74	0.84	0.58	0.69	0.78	0.78	0.89	
	PI	1.78	1.78	1.78	1.78	1.78	1.88	1.89	1.89	1.89	1.89	2.00	2.00	2.00	2.00	2.00	2.12	2.12	2.12	2.12	2.12	
122°F (50°C)	TC	10506	10520	10532	10532	10546	11139	11153	11164	11166	11179	11805	11820	11833	11836	11849	12516	12530	12543	12545	12561	
	S/T	0.50	0.59	0.67	0.67	0.76	0.53	0.62	0.71	0.71	0.81	0.56	0.66	0.75	0.75	0.86	0.60	0.70	0.80	0.80	0.91	
	PI	1.26	1.26	1.26	1.26	1.26	1.33	1.34	1.34	1.34	1.34	1.41	1.42	1.42	1.42	1.42	1.50	1.50	1.50	1.50	1.50	

TC:Total Cooling Capacity (BTU/hr)

S/T:Sensible Cooling Capacity Ratio

PI:Power Input(kW)

24MUC-HH-SYS-B Expanded Cooling @ 694 CFM

CFM	OD DB (°F)	ID WB ID DB	60.8°F (16.0°C)					64.4°F (18.0°C)					67°F (19.4°C)					71.6°F (22.0°C)				
			73.4°F	77.0°F	80.0°F	80.6°F	84.2°F	73.4°F	77.0°F	80.0°F	80.6°F	84.2°F	73.4°F	77.0°F	80.0°F	80.6°F	84.2°F	73.4°F	77.0°F	80.0°F	80.6°F	84.2°F
			23.0°C	25.0°C	26.7°C	27.0°C	29.0°C	23.0°C	25.0°C	26.7°C	27.0°C	29.0°C	23.0°C	25.0°C	26.7°C	27.0°C	29.0°C	23.0°C	25.0°C	26.7°C	27.0°C	29.0°C
694	50°F (10°C)	TC	19189	19215	19236	19237	19263	20346	20370	20390	20394	20418	21561	21589	21614	21618	21642	22861	22885	22910	22914	22942
		S/T	0.45	0.53	0.60	0.60	0.68	0.48	0.56	0.63	0.63	0.72	0.50	0.59	0.67	0.67	0.77	0.53	0.63	0.71	0.71	0.81
		PI	0.86	0.86	0.86	0.86	0.87	0.91	0.92	0.92	0.92	0.92	0.97	0.97	0.97	0.97	0.97	1.03	1.03	1.03	1.03	1.03
	59°F (15°C)	TC	19506	19532	19553	19554	19580	20681	20706	20726	20730	20755	21917	21946	21970	21974	21999	23238	23263	23288	23292	23321
		S/T	0.45	0.53	0.60	0.60	0.69	0.48	0.56	0.64	0.64	0.73	0.51	0.59	0.68	0.68	0.77	0.54	0.63	0.72	0.72	0.82
		PI	0.92	0.93	0.93	0.93	0.93	0.98	0.98	0.98	0.98	0.98	1.04	1.04	1.04	1.04	1.04	1.10	1.10	1.10	1.10	1.10
	68°F (20°C)	TC	19822	19849	19870	19871	19898	21017	21042	21063	21067	21092	22273	22302	22326	22331	22355	23615	23640	23666	23670	23699
		S/T	0.46	0.54	0.62	0.62	0.70	0.49	0.58	0.65	0.65	0.75	0.52	0.61	0.69	0.69	0.79	0.55	0.65	0.74	0.74	0.84
		PI	0.99	0.99	0.99	0.99	0.99	1.05	1.05	1.05	1.05	1.05	1.11	1.11	1.11	1.11	1.11	1.17	1.18	1.18	1.18	1.18
	77°F (25°C)	TC	20139	20166	20188	20189	20216	21352	21378	21399	21403	21429	22628	22658	22683	22687	22712	23992	24018	24044	24048	24077
		S/T	0.47	0.55	0.63	0.63	0.71	0.50	0.58	0.66	0.66	0.76	0.53	0.62	0.70	0.70	0.80	0.56	0.66	0.74	0.74	0.85
		PI	1.05	1.05	1.05	1.05	1.05	1.11	1.11	1.11	1.11	1.12	1.18	1.18	1.18	1.18	1.18	1.25	1.25	1.25	1.25	1.25
	82°F (27.8°C)	TC	20492	20520	20542	20543	20570	21727	21753	21774	21778	21804	23025	23055	23081	23085	23111	24412	24439	24465	24469	24500
		S/T	0.47	0.56	0.63	0.63	0.72	0.50	0.59	0.67	0.67	0.77	0.53	0.63	0.71	0.71	0.81	0.57	0.66	0.75	0.75	0.86
		PI	1.23	1.23	1.23	1.23	1.23	1.30	1.30	1.31	1.31	1.31	1.38	1.38	1.38	1.38	1.39	1.46	1.47	1.47	1.47	1.47
	86°F (30°C)	TC	20998	21026	21049	21050	21078	22264	22290	22312	22316	22343	23594	23624	23651	23655	23682	25015	25043	25070	25074	25105
		S/T	0.48	0.56	0.64	0.64	0.73	0.51	0.60	0.68	0.68	0.77	0.54	0.63	0.72	0.72	0.82	0.57	0.67	0.76	0.76	0.87
		PI	1.56	1.56	1.56	1.56	1.56	1.65	1.65	1.66	1.66	1.66	1.75	1.75	1.76	1.76	1.76	1.86	1.86	1.86	1.86	1.86
	95°F (35°C)	TC	22137	22167	22191	22192	22222	23471	23499	23522	23527	23555	24874	24906	24934	24938	24966	26372	26401	26430	26434	26467
		S/T	0.48	0.56	0.64	0.64	0.73	0.51	0.60	0.68	0.68	0.77	0.54	0.63	0.72	0.72	0.82	0.57	0.67	0.76	0.76	0.87
		PI	2.30	2.30	2.31	2.31	2.31	2.44	2.44	2.44	2.44	2.45	2.58	2.59	2.59	2.59	2.59	2.74	2.74	2.75	2.75	2.75
	104°F (40°C)	TC	20220	20248	20269	20270	20298	21439	21464	21486	21490	21515	22720	22749	22775	22779	22804	24089	24115	24141	24145	24175
		S/T	0.49	0.58	0.66	0.66	0.75	0.52	0.61	0.70	0.70	0.79	0.55	0.65	0.74	0.74	0.84	0.59	0.69	0.78	0.78	0.89
		PI	2.29	2.29	2.29	2.29	2.30	2.43	2.43	2.43	2.43	2.44	2.57	2.57	2.58	2.58	2.58	2.73	2.73	2.73	2.73	2.74
110°F (43°C)	TC	19070	19096	19117	19117	19143	20220	20244	20264	20268	20292	21428	21455	21479	21483	21507	22719	22743	22768	22772	22800	
	S/T	0.51	0.60	0.68	0.68	0.78	0.54	0.64	0.72	0.72	0.82	0.57	0.67	0.77	0.77	0.87	0.61	0.71	0.81	0.81	0.93	
	PI	2.28	2.28	2.29	2.29	2.29	2.42	2.42	2.42	2.42	2.43	2.56	2.57	2.57	2.57	2.57	2.72	2.72	2.72	2.72	2.73	
115°F (46°C)	TC	15642	15663	15680	15680	15701	16584	16604	16620	16624	16643	17575	17598	17618	17621	17640	18634	18654	18675	18678	18701	
	S/T	0.52	0.61	0.69	0.69	0.79	0.55	0.64	0.73	0.73	0.83	0.58	0.68	0.77	0.77	0.88	0.62	0.72	0.82	0.82	0.94	
	PI	1.87	1.87	1.88	1.88	1.88	1.98	1.99	1.99	1.99	1.99	2.10	2.11	2.11	2.11	2.11	2.23	2.23	2.24	2.24	2.24	
122°F (50°C)	TC	11070	11085	11097	11097	11112	11737	11751	11763	11765	11779	12438	12455	12468	12471	12485	13188	13202	13217	13219	13235	
	S/T	0.53	0.62	0.71	0.71	0.80	0.56	0.66	0.75	0.75	0.85	0.59	0.70	0.79	0.79	0.90	0.63	0.74	0.84	0.84	0.96	
	PI	1.33	1.33	1.33	1.33	1.33	1.41	1.41	1.41	1.41	1.41	1.49	1.49	1.49	1.49	1.50	1.58	1.58	1.58	1.58	1.59	

TC:Total Cooling Capacity (BTU/hr)

S/T:Sensible Cooling Capacity Ratio

PI:Power Input(kW)

24MUC-HH-SYS-B Expanded Cooling @ 759 CFM

CFM	OD DB (°F)	ID WB ID DB	60.8°F (16.0°C)					64.4°F (18.0°C)					67°F (19.4°C)					71.6°F (22.0°C)				
			73.4°F	77.0°F	80.0°F	80.6°F	84.2°F	73.4°F	77.0°F	80.0°F	80.6°F	84.2°F	73.4°F	77.0°F	80.0°F	80.6°F	84.2°F	73.4°F	77.0°F	80.0°F	80.6°F	84.2°F
			23.0°C	25.0°C	26.7°C	27.0°C	29.0°C	23.0°C	25.0°C	26.7°C	27.0°C	29.0°C	23.0°C	25.0°C	26.7°C	27.0°C	29.0°C	23.0°C	25.0°C	26.7°C	27.0°C	29.0°C
759	50°F (10°C)	TC	20219	20246	20268	20269	20296	21438	21463	21484	21489	21514	22719	22748	22773	22778	22803	24087	24114	24140	24144	24174
		S/T	0.47	0.55	0.63	0.63	0.72	0.50	0.59	0.67	0.67	0.76	0.53	0.62	0.71	0.71	0.81	0.56	0.66	0.75	0.75	0.86
		PI	0.91	0.91	0.91	0.91	0.91	0.96	0.96	0.97	0.97	0.97	1.02	1.02	1.02	1.02	1.02	1.08	1.08	1.08	1.08	1.09
	59°F (15°C)	TC	20553	20580	20602	20603	20631	21791	21817	21839	21843	21869	23093	23123	23149	23153	23179	24485	24511	24538	24542	24572
		S/T	0.48	0.56	0.63	0.63	0.72	0.50	0.59	0.67	0.67	0.77	0.53	0.63	0.71	0.71	0.81	0.57	0.66	0.75	0.75	0.86
		PI	0.97	0.97	0.98	0.98	0.98	1.03	1.03	1.03	1.03	1.04	1.09	1.10	1.10	1.10	1.10	1.16	1.16	1.16	1.16	1.16
	68°F (20°C)	TC	20886	20914	20937	20938	20966	22145	22171	22193	22197	22224	23468	23498	23524	23529	23555	24882	24909	24936	24940	24971
		S/T	0.49	0.57	0.65	0.65	0.74	0.52	0.61	0.69	0.69	0.79	0.55	0.64	0.73	0.73	0.83	0.58	0.68	0.77	0.77	0.88
		PI	1.04	1.04	1.04	1.04	1.04	1.10	1.10	1.10	1.10	1.11	1.17	1.17	1.17	1.17	1.17	1.24	1.24	1.24	1.24	1.24
	77°F (25°C)	TC	21219	21248	21271	21272	21301	22498	22525	22547	22552	22578	23842	23873	23900	23904	23931	25279	25306	25334	25338	25369
		S/T	0.49	0.58	0.66	0.66	0.75	0.52	0.61	0.70	0.70	0.80	0.56	0.65	0.74	0.74	0.84	0.59	0.69	0.78	0.78	0.89
		PI	1.10	1.11	1.11	1.11	1.11	1.17	1.17	1.17	1.17	1.18	1.24	1.24	1.24	1.24	1.25	1.32	1.32	1.32	1.32	1.32
	82°F (27.8°C)	TC	21592	21621	21644	21645	21674	22893	22920	22943	22947	22974	24260	24292	24319	24324	24351	25722	25750	25778	25782	25814
		S/T	0.50	0.59	0.67	0.67	0.76	0.53	0.62	0.71	0.71	0.81	0.56	0.66	0.75	0.75	0.85	0.60	0.70	0.79	0.79	0.91
		PI	1.29	1.30	1.30	1.30	1.30	1.37	1.37	1.38	1.38	1.38	1.46	1.46	1.46	1.46	1.46	1.54	1.54	1.55	1.55	1.55
	86°F (30°C)	TC	22125	22155	22179	22180	22210	23458	23486	23509	23514	23542	24860	24892	24920	24925	24952	26358	26386	26415	26419	26452
		S/T	0.51	0.59	0.68	0.68	0.77	0.54	0.63	0.72	0.72	0.82	0.57	0.67	0.76	0.76	0.87	0.60	0.71	0.80	0.80	0.92
		PI	1.64	1.64	1.65	1.65	1.65	1.74	1.74	1.74	1.75	1.75	1.85	1.85	1.85	1.85	1.85	1.96	1.96	1.96	1.96	1.96
	95°F (35°C)	TC	23325	23357	23382	23383	23414	24731	24760	24785	24790	24819	26208	26243	26272	26277	26306	27788	27818	27848	27852	27887
		S/T	0.51	0.59	0.68	0.68	0.77	0.54	0.63	0.72	0.72	0.82	0.57	0.67	0.76	0.76	0.87	0.60	0.71	0.80	0.80	0.92
		PI	2.42	2.43	2.43	2.43	2.43	2.57	2.57	2.58	2.58	2.58	2.72	2.73	2.73	2.73	2.73	2.89	2.89	2.89	2.89	2.90
	104°F (40°C)	TC	21306	21334	21357	21358	21387	22590	22616	22639	22643	22670	23939	23970	23997	24001	24028	25381	25409	25437	25441	25472
		S/T	0.52	0.61	0.69	0.69	0.79	0.55	0.65	0.73	0.73	0.84	0.58	0.68	0.78	0.78	0.89	0.62	0.73	0.82	0.83	0.94
		PI	2.41	2.41	2.42	2.42	2.42	2.56	2.56	2.56	2.56	2.57	2.71	2.71	2.72	2.72	2.72	2.87	2.88	2.88	2.88	2.88
110°F (43°C)	TC	20094	20121	20142	20143	20170	21305	21330	21351	21355	21381	22577	22607	22632	22636	22661	23938	23964	23990	23994	24024	
	S/T	0.54	0.63	0.72	0.72	0.82	0.57	0.67	0.76	0.76	0.87	0.61	0.71	0.81	0.81	0.92	0.64	0.75	0.86	0.86	0.97	
	PI	2.40	2.41	2.41	2.41	2.41	2.55	2.55	2.55	2.55	2.56	2.70	2.70	2.71	2.71	2.71	2.86	2.87	2.87	2.87	2.87	
115°F (46°C)	TC	16481	16503	16521	16522	16544	17474	17495	17512	17516	17536	18518	18542	18563	18566	18587	19634	19655	19677	19680	19704	
	S/T	0.54	0.64	0.73	0.73	0.83	0.58	0.68	0.77	0.77	0.88	0.61	0.72	0.82	0.82	0.93	0.65	0.76	0.87	0.87	0.99	
	PI	1.97	1.98	1.98	1.98	1.98	2.09	2.09	2.10	2.10	2.10	2.22	2.22	2.22	2.22	2.22	2.35	2.35	2.35	2.36	2.36	
122°F (50°C)	TC	11664	11680	11692	11693	11709	12367	12382	12394	12396	12411	13106	13123	13138	13140	13155	13896	13911	13926	13928	13945	
	S/T	0.56	0.65	0.74	0.74	0.85	0.59	0.69	0.79	0.79	0.90	0.63	0.73	0.84	0.84	0.95	0.66	0.78	0.89	0.89	1.00	
	PI	1.40	1.40	1.40	1.40	1.40	1.48	1.48	1.48	1.48	1.49	1.57	1.57	1.57	1.57	1.58	1.66	1.67	1.67	1.67	1.67	

TC:Total Cooling Capacity (BTU/hr)

S/T:Sensible Cooling Capacity Ratio

PI:Power Input(kW)

24MUC-HH-SYS-B Expanded Cooling @ 824 CFM

CFM	OD DB (°F)	ID WB ID DB	60.8°F (16.0°C)					64.4°F (18.0°C)					67°F (19.4°C)					71.6°F (22.0°C)				
			73.4°F	77.0°F	80.0°F	80.6°F	84.2°F	73.4°F	77.0°F	80.0°F	80.6°F	84.2°F	73.4°F	77.0°F	80.0°F	80.6°F	84.2°F	73.4°F	77.0°F	80.0°F	80.6°F	84.2°F
			23.0°C	25.0°C	26.7°C	27.0°C	29.0°C	23.0°C	25.0°C	26.7°C	27.0°C	29.0°C	23.0°C	25.0°C	26.7°C	27.0°C	29.0°C	23.0°C	25.0°C	26.7°C	27.0°C	29.0°C
824	50°F (10°C)	TC	21304	21333	21356	21357	21386	22588	22615	22637	22642	22669	23938	23969	23995	24000	24027	25380	25407	25435	25439	25471
		S/T	0.50	0.58	0.66	0.66	0.76	0.53	0.62	0.70	0.70	0.80	0.56	0.66	0.75	0.75	0.85	0.59	0.70	0.79	0.79	0.90
		PI	0.96	0.96	0.96	0.96	0.96	1.01	1.02	1.02	1.02	1.02	1.08	1.08	1.08	1.08	1.08	1.14	1.14	1.14	1.14	1.14
	59°F (15°C)	TC	21656	21685	21708	21709	21738	22961	22988	23010	23015	23042	24332	24364	24391	24396	24423	25798	25826	25855	25859	25891
		S/T	0.50	0.59	0.67	0.67	0.76	0.53	0.62	0.71	0.71	0.81	0.56	0.66	0.75	0.75	0.86	0.60	0.70	0.80	0.80	0.91
		PI	1.03	1.03	1.03	1.03	1.03	1.09	1.09	1.09	1.09	1.09	1.15	1.15	1.16	1.16	1.16	1.22	1.22	1.22	1.22	1.23
	68°F (20°C)	TC	22007	22036	22060	22061	22091	23333	23361	23384	23388	23416	24727	24759	24787	24791	24819	26217	26245	26274	26278	26311
		S/T	0.51	0.60	0.69	0.69	0.78	0.54	0.64	0.73	0.73	0.83	0.58	0.68	0.77	0.77	0.88	0.61	0.72	0.82	0.82	0.93
		PI	1.09	1.10	1.10	1.10	1.10	1.16	1.16	1.16	1.16	1.16	1.23	1.23	1.23	1.23	1.23	1.30	1.31	1.31	1.31	1.31
	77°F (25°C)	TC	22358	22388	22412	22413	22444	23706	23734	23757	23762	23790	25122	25154	25183	25187	25215	26635	26664	26693	26698	26731
		S/T	0.52	0.61	0.69	0.69	0.79	0.55	0.65	0.74	0.74	0.84	0.59	0.69	0.78	0.78	0.89	0.62	0.73	0.83	0.83	0.94
		PI	1.16	1.17	1.17	1.17	1.17	1.23	1.24	1.24	1.24	1.24	1.31	1.31	1.31	1.31	1.31	1.39	1.39	1.39	1.39	1.39
	82°F (27.8°C)	TC	22750	22781	22805	22806	22837	24121	24150	24174	24178	24207	25562	25596	25624	25629	25657	27103	27132	27162	27166	27200
		S/T	0.53	0.62	0.70	0.70	0.80	0.56	0.66	0.75	0.75	0.85	0.59	0.70	0.79	0.79	0.90	0.63	0.74	0.84	0.84	0.95
		PI	1.36	1.37	1.37	1.37	1.37	1.45	1.45	1.45	1.45	1.45	1.53	1.54	1.54	1.54	1.54	1.63	1.63	1.63	1.63	1.63
	86°F (30°C)	TC	23312	23344	23369	23370	23401	24717	24746	24771	24776	24805	26194	26228	26257	26262	26291	27772	27802	27833	27837	27872
		S/T	0.53	0.63	0.71	0.71	0.81	0.57	0.66	0.75	0.75	0.86	0.60	0.70	0.80	0.80	0.91	0.64	0.75	0.85	0.85	0.97
		PI	1.73	1.73	1.73	1.73	1.74	1.83	1.84	1.84	1.84	1.84	1.94	1.95	1.95	1.95	1.95	2.06	2.06	2.07	2.07	2.07
	95°F (35°C)	TC	24577	24610	24636	24638	24671	26058	26089	26115	26120	26151	27615	27651	27682	27687	27718	29279	29311	29342	29347	29384
		S/T	0.53	0.63	0.71	0.71	0.81	0.57	0.66	0.75	0.75	0.86	0.60	0.70	0.80	0.80	0.91	0.64	0.75	0.85	0.85	0.97
		PI	2.55	2.56	2.56	2.56	2.56	2.71	2.71	2.71	2.71	2.72	2.87	2.87	2.88	2.88	2.88	3.04	3.05	3.05	3.05	3.05
	104°F (40°C)	TC	22449	22479	22503	22504	22535	23802	23830	23853	23858	23886	25224	25256	25285	25289	25318	26743	26773	26802	26806	26839
		S/T	0.55	0.64	0.73	0.73	0.83	0.58	0.68	0.77	0.77	0.88	0.62	0.72	0.82	0.82	0.93	0.65	0.76	0.87	0.87	0.99
		PI	2.54	2.54	2.55	2.55	2.55	2.69	2.70	2.70	2.70	2.70	2.85	2.86	2.86	2.86	2.87	3.03	3.03	3.03	3.03	3.04
110°F (43°C)	TC	21172	21200	21223	21224	21253	22448	22474	22497	22501	22528	23789	23820	23846	23851	23878	25222	25250	25277	25281	25313	
	S/T	0.57	0.67	0.76	0.76	0.86	0.60	0.71	0.80	0.80	0.91	0.64	0.75	0.85	0.85	0.97	0.68	0.79	0.90	0.90	1.00	
	PI	2.53	2.54	2.54	2.54	2.54	2.69	2.69	2.69	2.69	2.70	2.85	2.85	2.85	2.85	2.86	3.02	3.02	3.02	3.02	3.03	
115°F (46°C)	TC	17365	17389	17407	17408	17432	18412	18434	18452	18456	18477	19512	19537	19559	19563	19585	20688	20710	20733	20736	20762	
	S/T	0.57	0.67	0.77	0.77	0.87	0.61	0.71	0.81	0.81	0.92	0.65	0.76	0.86	0.86	0.98	0.68	0.80	0.91	0.91	1.00	
	PI	2.08	2.08	2.08	2.08	2.09	2.20	2.21	2.21	2.21	2.21	2.34	2.34	2.34	2.34	2.34	2.48	2.48	2.48	2.48	2.48	
122°F (50°C)	TC	12290	12307	12320	12320	12337	13031	13046	13059	13062	13077	13809	13827	13842	13845	13861	14641	14657	14673	14675	14694	
	S/T	0.59	0.69	0.78	0.78	0.89	0.62	0.73	0.83	0.83	0.95	0.66	0.77	0.88	0.88	1.00	0.70	0.82	0.93	0.93	1.00	
	PI	1.47	1.47	1.48	1.48	1.48	1.56	1.56	1.56	1.56	1.57	1.65	1.66	1.66	1.66	1.66	1.75	1.76	1.76	1.76	1.76	

TC:Total Cooling Capacity (BTU/hr)

S/T:Sensible Cooling Capacity Ratio

PI:Power Input(kW)

24MUC-HH-SYS-B Expanded Heating @ 629 CFM

CFM	HEATING PERFORMANCE AT INDOOR DRY BULB TEMPERATURE										
	OD DB (°F)	TC : Total Heating Capacity(BTU/hr)					PI : Power Input(kW)				
		Indoor Conditions (DB °F)					Indoor Conditions (DB °F)				
		60.8°F	68°F	70°F	71.6°F	75.2°F	60.8°F	68°F	70°F	71.6°F	75.2°F
629	-22°F	10098	9897	9847	10052	9962	2.39	2.41	2.41	2.42	2.43
	-13°F	13042	12781	12717	12483	12370	2.53	2.55	2.55	2.56	2.57
	-4°F	15142	14839	14765	14493	14362	2.57	2.59	2.60	2.60	2.61
	0°F	16176	15853	15773	15483	15343	2.68	2.70	2.71	2.72	2.73
	5°F	17469	17120	17034	16720	16570	2.83	2.85	2.85	2.86	2.87
	14°F	19255	18870	18775	18429	18263	2.53	2.55	2.55	2.56	2.57
	17°F	19850	19453	19356	18999	18828	2.43	2.45	2.45	2.46	2.47
	22°F	20334	19927	19827	19462	19287	2.43	2.45	2.45	2.46	2.47
	27°F	20817	20401	20299	19925	19745	2.42	2.44	2.45	2.45	2.46
	32°F	21301	20875	20770	20388	20204	2.42	2.44	2.45	2.45	2.46
	35°F	21591	21159	21053	20665	20479	2.42	2.44	2.45	2.45	2.46
	37°F	22695	22241	22130	21722	21527	2.43	2.45	2.46	2.46	2.47
	42°F	25456	24947	24822	24365	24145	2.46	2.48	2.49	2.49	2.50
	44.6°F	26560	26029	25899	25422	25193	2.47	2.49	2.50	2.50	2.51
	47°F	28217	27652	27514	27007	26764	2.49	2.51	2.52	2.52	2.53
	52°F	25888	25370	25243	24778	24555	2.43	2.45	2.46	2.46	2.47
	57°F	23559	23088	22972	22549	22346	2.37	2.39	2.40	2.40	2.41
	59°F	22628	22175	22064	21657	21463	2.35	2.37	2.37	2.38	2.39
62°F	21230	20806	20702	20320	20137	2.32	2.33	2.34	2.34	2.35	
64.4°F	20299	19893	19793	19429	19254	2.29	2.31	2.32	2.32	2.33	

24MUC-HH-SYS-B Expanded Heating @ 694 CFM

CFM	HEATING PERFORMANCE AT INDOOR DRY BULB TEMPERATURE										
	OD DB (°F)	TC : Total Heating Capacity(BTU/hr)					PI : Power Input(kW)				
		Indoor Conditions (DB °F)					Indoor Conditions (DB °F)				
		60.8°F	68°F	70°F	71.6°F	75.2°F	60.8°F	68°F	70°F	71.6°F	75.2°F
694	-22°F	10851	10634	10581	10669	10573	2.41	2.43	2.44	2.44	2.45
	-13°F	13742	13467	13400	13249	13130	2.55	2.57	2.58	2.58	2.59
	-4°F	15954	15635	15557	15382	15244	2.60	2.62	2.62	2.63	2.64
	0°F	17044	16703	16620	16433	16285	2.71	2.73	2.74	2.74	2.75
	5°F	18406	18038	17948	17746	17587	2.85	2.88	2.88	2.89	2.90
	14°F	20288	19882	19783	19561	19384	2.55	2.57	2.58	2.58	2.60
	17°F	20915	20497	20395	20165	19984	2.45	2.47	2.48	2.48	2.49
	22°F	21425	20996	20891	20656	20471	2.45	2.47	2.48	2.48	2.49
	27°F	21934	21496	21388	21148	20957	2.45	2.47	2.47	2.48	2.49
	32°F	22444	21995	21885	21639	21444	2.45	2.47	2.47	2.48	2.49
	35°F	22750	22295	22183	21934	21736	2.45	2.46	2.47	2.47	2.48
	37°F	23913	23435	23318	23056	22848	2.46	2.48	2.48	2.49	2.50
	42°F	26822	26286	26154	25860	25627	2.49	2.51	2.51	2.52	2.53
	44.6°F	27986	27426	27289	26982	26739	2.50	2.52	2.52	2.53	2.54
	47°F	29731	29136	28991	28665	28407	2.52	2.54	2.54	2.55	2.56
	52°F	27277	26732	26598	26299	26062	2.46	2.48	2.48	2.49	2.50
	57°F	24823	24327	24205	23933	23718	2.40	2.42	2.42	2.43	2.44
	59°F	23842	23365	23248	22987	22780	2.37	2.39	2.40	2.40	2.41
62°F	22370	21922	21813	21567	21373	2.34	2.36	2.36	2.37	2.38	
64.4°F	21388	20960	20856	20621	20435	2.32	2.33	2.34	2.34	2.35	

24MUC-HH-SYS-B Expanded Heating @ 759 CFM

CFM	HEATING PERFORMANCE AT INDOOR DRY BULB TEMPERATURE										
	OD DB (°F)	TC : Total Heating Capacity(BTU/hr)					PI : Power Input(kW)				
		Indoor Conditions (DB °F)					Indoor Conditions (DB °F)				
		60.8°F	68°F	70°F	71.6°F	75.2°F	60.8°F	68°F	70°F	71.6°F	75.2°F
759	-22°F	11660	11427	11369	11324	11222	2.44	2.46	2.46	2.47	2.48
	-13°F	14479	14190	14119	14062	13936	2.58	2.60	2.60	2.61	2.62
	-4°F	16811	16474	16392	16326	16179	2.62	2.64	2.65	2.65	2.66
	0°F	17959	17600	17512	17442	17285	2.74	2.76	2.77	2.77	2.78
	5°F	19394	19006	18911	18836	18666	2.88	2.91	2.91	2.92	2.93
	14°F	21377	20949	20844	20761	20574	2.58	2.60	2.61	2.61	2.62
	17°F	22038	21597	21489	21403	21210	2.48	2.50	2.50	2.51	2.52
	22°F	22575	22123	22012	21924	21727	2.48	2.50	2.50	2.51	2.52
	27°F	23111	22649	22536	22446	22244	2.47	2.49	2.50	2.50	2.51
	32°F	23648	23175	23059	22967	22761	2.47	2.49	2.50	2.50	2.51
	35°F	23970	23491	23374	23280	23071	2.47	2.49	2.49	2.50	2.51
	37°F	25196	24692	24569	24471	24250	2.48	2.50	2.51	2.51	2.52
	42°F	28261	27696	27558	27447	27200	2.51	2.53	2.54	2.54	2.55
	44.6°F	29487	28898	28753	28638	28380	2.52	2.54	2.55	2.55	2.57
	47°F	31326	30700	30546	30424	30150	2.54	2.56	2.57	2.57	2.58
	52°F	28741	28166	28025	27913	27662	2.48	2.50	2.51	2.51	2.52
	57°F	26155	25632	25504	25402	25173	2.42	2.44	2.45	2.45	2.46
	59°F	25121	24619	24496	24398	24178	2.40	2.42	2.42	2.43	2.44
62°F	23570	23099	22983	22891	22685	2.36	2.38	2.39	2.39	2.40	
64.4°F	22536	22085	21975	21887	21690	2.34	2.36	2.36	2.37	2.38	

24MUC-HH-SYS-B Expanded Heating @ 824 CFM

CFM	HEATING PERFORMANCE AT INDOOR DRY BULB TEMPERATURE										
	OD DB (°F)	TC : Total Heating Capacity(BTU/hr)					PI : Power Input(kW)				
		Indoor Conditions (DB °F)					Indoor Conditions (DB °F)				
		60.8°F	68°F	70°F	71.6°F	75.2°F	60.8°F	68°F	70°F	71.6°F	75.2°F
824	-22°F	12285	12040	11980	11932	11824	2.46	2.48	2.49	2.49	2.50
	-13°F	15256	14951	14876	14817	14683	2.60	2.63	2.63	2.64	2.65
	-4°F	17713	17358	17272	17202	17048	2.65	2.67	2.68	2.68	2.69
	0°F	18923	18544	18451	18378	18212	2.77	2.79	2.79	2.80	2.81
	5°F	20435	20026	19926	19846	19668	2.91	2.94	2.94	2.95	2.96
	14°F	22524	22073	21963	21875	21678	2.61	2.63	2.63	2.64	2.65
	17°F	23220	22756	22642	22551	22349	2.50	2.52	2.53	2.53	2.54
	22°F	23786	23310	23194	23101	22893	2.50	2.52	2.53	2.53	2.54
	27°F	24352	23865	23745	23650	23437	2.50	2.52	2.52	2.53	2.54
	32°F	24917	24419	24297	24200	23982	2.50	2.52	2.52	2.53	2.54
	35°F	25257	24752	24628	24529	24309	2.49	2.51	2.52	2.53	2.54
	37°F	26548	26018	25887	25784	25552	2.51	2.53	2.53	2.54	2.55
	42°F	29778	29182	29036	28920	28660	2.54	2.56	2.56	2.57	2.58
	44.6°F	31070	30448	30296	30175	29903	2.55	2.57	2.58	2.58	2.59
	47°F	33007	32347	32185	32057	31768	2.57	2.59	2.59	2.60	2.61
	52°F	30283	29677	29529	29411	29146	2.51	2.53	2.53	2.54	2.55
	57°F	27559	27008	26873	26765	26524	2.45	2.47	2.47	2.48	2.49
	59°F	26469	25940	25810	25707	25476	2.42	2.44	2.45	2.45	2.46
62°F	24835	24338	24216	24120	23902	2.39	2.41	2.41	2.42	2.43	
64.4°F	23745	23270	23154	23061	22854	2.36	2.38	2.39	2.39	2.40	

25MUC-HH-SYS-B Expanded Cooling @ 629 CFM (Preliminary Data)

CFM	OD DB (°F)	ID WB ID DB	60.8°F (16.0°C)					64.4°F (18.0°C)					67°F (19.4°C)					71.6°F (22.0°C)				
			73.4°F	77.0°F	80.0°F	80.6°F	84.2°F	73.4°F	77.0°F	80.0°F	80.6°F	84.2°F	73.4°F	77.0°F	80.0°F	80.6°F	84.2°F	73.4°F	77.0°F	80.0°F	80.6°F	84.2°F
			23.0°C	25.0°C	26.7°C	27.0°C	29.0°C	23.0°C	25.0°C	26.7°C	27.0°C	29.0°C	23.0°C	25.0°C	26.7°C	27.0°C	29.0°C	23.0°C	25.0°C	26.7°C	27.0°C	29.0°C
629	50°F (10°C)	TC	19470	19496	19517	19518	19544	20643	20667	20688	20692	20716	21876	21905	21929	21933	21958	23194	23220	23245	23248	23277
		S/T	0.43	0.50	0.57	0.57	0.65	0.45	0.53	0.60	0.60	0.69	0.48	0.56	0.64	0.64	0.73	0.51	0.60	0.68	0.68	0.77
		PI	1.22	1.22	1.22	1.22	1.22	1.29	1.29	1.29	1.29	1.29	1.37	1.37	1.37	1.37	1.37	1.45	1.45	1.45	1.45	1.45
	59°F (15°C)	TC	19393	19420	19440	19441	19468	20562	20587	20607	20611	20635	21791	21819	21843	21847	21872	23104	23129	23154	23157	23186
		S/T	0.43	0.50	0.57	0.57	0.65	0.45	0.53	0.60	0.60	0.69	0.48	0.56	0.64	0.64	0.73	0.51	0.60	0.68	0.68	0.77
		PI	1.16	1.16	1.16	1.16	1.16	1.23	1.23	1.23	1.23	1.23	1.30	1.30	1.30	1.30	1.30	1.38	1.38	1.38	1.38	1.38
	68°F (20°C)	TC	19317	19343	19364	19365	19391	20481	20506	20526	20530	20554	21705	21733	21758	21762	21786	23013	23038	23063	23067	23095
		S/T	0.44	0.52	0.59	0.59	0.67	0.47	0.55	0.62	0.62	0.71	0.49	0.58	0.66	0.66	0.75	0.52	0.61	0.70	0.70	0.80
		PI	1.10	1.10	1.10	1.10	1.10	1.16	1.16	1.16	1.16	1.17	1.23	1.23	1.23	1.23	1.24	1.31	1.31	1.31	1.31	1.31
	77°F (25°C)	TC	19241	19267	19288	19289	19315	20401	20425	20445	20449	20473	21620	21648	21672	21676	21700	22922	22947	22972	22976	23004
		S/T	0.45	0.52	0.59	0.59	0.68	0.47	0.55	0.63	0.63	0.72	0.50	0.59	0.67	0.67	0.76	0.53	0.62	0.71	0.71	0.81
		PI	1.04	1.04	1.04	1.04	1.04	1.10	1.10	1.10	1.10	1.10	1.16	1.16	1.17	1.17	1.17	1.23	1.23	1.24	1.24	1.24
	82°F (27.8°C)	TC	19677	19703	19724	19725	19752	20862	20887	20908	20912	20937	22109	22138	22162	22166	22191	23441	23466	23492	23496	23525
		S/T	0.45	0.53	0.60	0.60	0.69	0.48	0.56	0.64	0.64	0.73	0.51	0.59	0.68	0.68	0.77	0.54	0.63	0.72	0.72	0.82
		PI	1.18	1.19	1.19	1.19	1.19	1.25	1.26	1.26	1.26	1.26	1.33	1.33	1.33	1.33	1.33	1.41	1.41	1.41	1.41	1.42
	86°F (30°C)	TC	20628	20656	20678	20679	20707	21871	21897	21919	21923	21949	23178	23208	23234	23238	23264	24574	24601	24628	24632	24662
		S/T	0.46	0.54	0.61	0.61	0.69	0.48	0.57	0.65	0.65	0.74	0.51	0.60	0.68	0.68	0.78	0.54	0.64	0.72	0.72	0.83
		PI	1.53	1.53	1.54	1.54	1.54	1.62	1.63	1.63	1.63	1.63	1.72	1.72	1.73	1.73	1.73	1.82	1.83	1.83	1.83	1.83
	95°F (35°C)	TC	22768	22799	22823	22824	22855	24140	24169	24193	24198	24226	25583	25616	25644	25649	25678	27124	27154	27183	27187	27221
		S/T	0.46	0.54	0.61	0.61	0.69	0.48	0.57	0.65	0.65	0.74	0.51	0.60	0.68	0.68	0.78	0.54	0.64	0.72	0.72	0.83
		PI	2.31	2.32	2.32	2.32	2.32	2.45	2.46	2.46	2.46	2.46	2.60	2.60	2.61	2.61	2.61	2.76	2.76	2.76	2.76	2.77
	104°F (40°C)	TC	19920	19946	19968	19969	19996	21120	21145	21166	21170	21195	22382	22411	22436	22440	22465	23730	23756	23782	23786	23815
		S/T	0.47	0.55	0.62	0.62	0.71	0.50	0.58	0.66	0.66	0.75	0.53	0.62	0.70	0.70	0.80	0.56	0.65	0.74	0.74	0.85
		PI	2.27	2.27	2.27	2.27	2.28	2.41	2.41	2.41	2.41	2.41	2.55	2.55	2.56	2.56	2.56	2.70	2.71	2.71	2.71	2.71
110°F (43°C)	TC	18210	18235	18255	18255	18280	19308	19331	19350	19354	19377	20461	20488	20511	20515	20538	21694	21718	21742	21745	21772	
	S/T	0.49	0.57	0.65	0.65	0.74	0.51	0.60	0.69	0.69	0.78	0.54	0.64	0.73	0.73	0.83	0.58	0.68	0.77	0.77	0.88	
	PI	2.24	2.24	2.25	2.25	2.25	2.38	2.38	2.38	2.38	2.38	2.52	2.52	2.52	2.52	2.53	2.67	2.67	2.68	2.68	2.68	
115°F (46°C)	TC	14909	14929	14945	14945	14966	15807	15826	15841	15845	15863	16752	16773	16792	16795	16814	17761	17780	17800	17802	17824	
	S/T	0.49	0.58	0.65	0.65	0.75	0.52	0.61	0.69	0.69	0.79	0.55	0.65	0.74	0.74	0.84	0.58	0.69	0.78	0.78	0.89	
	PI	1.82	1.82	1.82	1.82	1.83	1.93	1.93	1.93	1.93	1.94	2.05	2.05	2.05	2.05	2.05	2.17	2.17	2.17	2.17	2.18	
122°F (50°C)	TC	10506	10520	10532	10532	10546	11139	11153	11164	11166	11179	11805	11820	11833	11836	11849	12516	12530	12543	12545	12561	
	S/T	0.50	0.59	0.67	0.67	0.76	0.53	0.62	0.71	0.71	0.81	0.56	0.66	0.75	0.75	0.86	0.60	0.70	0.80	0.80	0.91	
	PI	1.26	1.26	1.26	1.26	1.26	1.33	1.34	1.34	1.34	1.34	1.41	1.42	1.42	1.42	1.42	1.50	1.50	1.50	1.50	1.50	

TC:Total Cooling Capacity (BTU/hr)

S/T:Sensible Cooling Capacity Ratio

PI:Power Input(kW)

25MUC-HH-SYS-B Expanded Cooling @ 694 CFM (Preliminary Data)

CFM	OD DB (°F)	ID WB ID DB	60.8°F (16.0°C)					64.4°F (18.0°C)					67°F (19.4°C)					71.6°F (22.0°C)				
			73.4°F	77.0°F	80.0°F	80.6°F	84.2°F	73.4°F	77.0°F	80.0°F	80.6°F	84.2°F	73.4°F	77.0°F	80.0°F	80.6°F	84.2°F	73.4°F	77.0°F	80.0°F	80.6°F	84.2°F
			23.0°C	25.0°C	26.7°C	27.0°C	29.0°C	23.0°C	25.0°C	26.7°C	27.0°C	29.0°C	23.0°C	25.0°C	26.7°C	27.0°C	29.0°C	23.0°C	25.0°C	26.7°C	27.0°C	29.0°C
694	50°F (10°C)	TC	20514	20542	20564	20565	20593	21751	21776	21798	21802	21828	23050	23080	23106	23110	23136	24439	24466	24492	24496	24526
		S/T	0.45	0.53	0.60	0.60	0.68	0.48	0.56	0.63	0.63	0.72	0.50	0.59	0.67	0.67	0.77	0.53	0.63	0.71	0.71	0.81
		PI	1.28	1.28	1.29	1.29	1.29	1.36	1.36	1.36	1.36	1.36	1.44	1.44	1.44	1.44	1.45	1.53	1.53	1.53	1.53	1.53
	59°F (15°C)	TC	20434	20462	20484	20485	20512	21666	21691	21713	21717	21743	22960	22990	23015	23020	23045	24343	24370	24396	24400	24431
		S/T	0.45	0.53	0.60	0.60	0.69	0.48	0.56	0.64	0.64	0.73	0.51	0.59	0.68	0.68	0.77	0.54	0.63	0.72	0.72	0.82
		PI	1.22	1.22	1.22	1.22	1.22	1.29	1.29	1.29	1.29	1.30	1.37	1.37	1.37	1.37	1.37	1.45	1.45	1.45	1.45	1.46
	68°F (20°C)	TC	20354	20381	20403	20404	20432	21581	21606	21627	21632	21657	22870	22900	22925	22929	22955	24248	24274	24301	24304	24335
		S/T	0.46	0.54	0.62	0.62	0.70	0.49	0.58	0.65	0.65	0.75	0.52	0.61	0.69	0.69	0.79	0.55	0.65	0.74	0.74	0.84
		PI	1.15	1.16	1.16	1.16	1.16	1.22	1.23	1.23	1.23	1.23	1.30	1.30	1.30	1.30	1.30	1.38	1.38	1.38	1.38	1.38
	77°F (25°C)	TC	20274	20301	20323	20324	20351	21495	21521	21542	21546	21572	22780	22809	22835	22839	22864	24152	24178	24205	24209	24239
		S/T	0.47	0.55	0.63	0.63	0.71	0.50	0.58	0.66	0.66	0.76	0.53	0.62	0.70	0.70	0.80	0.56	0.66	0.74	0.74	0.85
		PI	1.09	1.09	1.09	1.09	1.10	1.16	1.16	1.16	1.16	1.16	1.23	1.23	1.23	1.23	1.23	1.30	1.30	1.30	1.30	1.30
	82°F (27.8°C)	TC	20733	20760	20783	20784	20812	21982	22008	22030	22034	22060	23295	23326	23352	23356	23382	24699	24726	24753	24756	24787
		S/T	0.47	0.56	0.63	0.63	0.72	0.50	0.59	0.67	0.67	0.77	0.53	0.63	0.71	0.71	0.81	0.57	0.66	0.75	0.75	0.86
		PI	1.25	1.25	1.25	1.25	1.25	1.32	1.32	1.33	1.33	1.33	1.40	1.40	1.40	1.40	1.41	1.49	1.49	1.49	1.49	1.49
	86°F (30°C)	TC	21735	21764	21788	21788	21818	23045	23072	23095	23099	23127	24421	24453	24480	24485	24512	25893	25921	25949	25953	25986
		S/T	0.48	0.56	0.64	0.64	0.73	0.51	0.60	0.68	0.68	0.77	0.54	0.63	0.72	0.72	0.82	0.57	0.67	0.76	0.76	0.87
		PI	1.61	1.62	1.62	1.62	1.62	1.71	1.71	1.71	1.72	1.72	1.81	1.82	1.82	1.82	1.82	1.92	1.92	1.93	1.93	1.93
	95°F (35°C)	TC	23990	24022	24048	24049	24082	25436	25466	25491	25496	25526	26955	26990	27021	27026	27056	28580	28611	28642	28646	28682
		S/T	0.48	0.56	0.64	0.64	0.73	0.51	0.60	0.68	0.68	0.77	0.54	0.63	0.72	0.72	0.82	0.57	0.67	0.76	0.76	0.87
		PI	2.44	2.44	2.45	2.45	2.45	2.59	2.59	2.59	2.59	2.60	2.74	2.74	2.75	2.75	2.75	2.91	2.91	2.91	2.91	2.92
	104°F (40°C)	TC	20989	21017	21039	21040	21069	22253	22280	22302	22306	22333	23583	23614	23640	23644	23671	25004	25031	25058	25062	25093
		S/T	0.49	0.58	0.66	0.66	0.75	0.52	0.61	0.70	0.70	0.79	0.55	0.65	0.74	0.74	0.84	0.59	0.69	0.78	0.78	0.89
		PI	2.39	2.39	2.40	2.40	2.40	2.53	2.54	2.54	2.54	2.54	2.69	2.69	2.69	2.69	2.70	2.85	2.85	2.85	2.85	2.86
110°F (43°C)	TC	19188	19213	19234	19235	19261	20344	20368	20388	20392	20416	21559	21587	21612	21616	21640	22858	22883	22908	22912	22940	
	S/T	0.51	0.60	0.68	0.68	0.78	0.54	0.64	0.72	0.72	0.82	0.57	0.67	0.77	0.77	0.87	0.61	0.71	0.81	0.81	0.93	
	PI	2.36	2.36	2.37	2.37	2.37	2.50	2.51	2.51	2.51	2.51	2.65	2.66	2.66	2.66	2.66	2.81	2.82	2.82	2.82	2.82	
115°F (46°C)	TC	15709	15730	15747	15747	15769	16655	16675	16692	16695	16715	17650	17673	17693	17696	17716	18714	18734	18755	18758	18781	
	S/T	0.52	0.61	0.69	0.69	0.79	0.55	0.64	0.73	0.73	0.83	0.58	0.68	0.77	0.77	0.88	0.62	0.72	0.82	0.82	0.94	
	PI	1.92	1.92	1.92	1.92	1.93	2.03	2.04	2.04	2.04	2.04	2.15	2.16	2.16	2.16	2.16	2.28	2.29	2.29	2.29	2.29	
122°F (50°C)	TC	11070	11085	11097	11097	11112	11737	11751	11763	11765	11779	12438	12455	12468	12471	12485	13188	13202	13217	13219	13235	
	S/T	0.53	0.62	0.71	0.71	0.80	0.56	0.66	0.75	0.75	0.85	0.59	0.70	0.79	0.79	0.90	0.63	0.74	0.84	0.84	0.96	
	PI	1.33	1.33	1.33	1.33	1.33	1.41	1.41	1.41	1.41	1.41	1.49	1.49	1.49	1.49	1.50	1.58	1.58	1.58	1.58	1.59	

TC:Total Cooling Capacity (BTU/hr)

S/T:Sensible Cooling Capacity Ratio

PI:Power Input(kW)

25MUC-HH-SYS-B Expanded Cooling @ 759 CFM (Preliminary Data)

CFM	OD DB (°F)	ID WB	60.8°F (16.0°C)					64.4°F (18.0°C)					67°F (19.4°C)					71.6°F (22.0°C)				
			ID DB					ID DB					ID DB					ID DB				
			73.4°F	77.0°F	80.0°F	80.6°F	84.2°F	73.4°F	77.0°F	80.0°F	80.6°F	84.2°F	73.4°F	77.0°F	80.0°F	80.6°F	84.2°F	73.4°F	77.0°F	80.0°F	80.6°F	84.2°F
23.0°C	25.0°C	26.7°C	27.0°C	29.0°C	23.0°C	25.0°C	26.7°C	27.0°C	29.0°C	23.0°C	25.0°C	26.7°C	27.0°C	29.0°C	23.0°C	25.0°C	26.7°C	27.0°C	29.0°C			
759	50°F (10°C)	TC	21615	21644	21668	21669	21698	22918	22945	22968	22972	22999	24287	24319	24346	24350	24377	25750	25778	25806	25810	25843
		S/T	0.47	0.55	0.63	0.63	0.72	0.50	0.59	0.67	0.67	0.76	0.53	0.62	0.71	0.71	0.81	0.56	0.66	0.75	0.75	0.86
		PI	1.35	1.35	1.35	1.35	1.36	1.43	1.43	1.44	1.44	1.44	1.52	1.52	1.52	1.52	1.52	1.61	1.61	1.61	1.61	1.62
	59°F (15°C)	TC	21531	21560	21583	21584	21613	22828	22855	22878	22882	22909	24192	24223	24250	24255	24282	25650	25678	25705	25709	25742
		S/T	0.48	0.56	0.63	0.63	0.72	0.50	0.59	0.67	0.67	0.77	0.53	0.63	0.71	0.71	0.81	0.57	0.66	0.75	0.75	0.86
		PI	1.28	1.29	1.29	1.29	1.29	1.36	1.36	1.36	1.36	1.37	1.44	1.44	1.45	1.45	1.45	1.53	1.53	1.53	1.53	1.53
	68°F (20°C)	TC	21446	21475	21498	21499	21528	22739	22765	22788	22792	22820	24097	24128	24155	24160	24187	25549	25577	25605	25609	25640
		S/T	0.49	0.57	0.65	0.65	0.74	0.52	0.61	0.69	0.69	0.79	0.55	0.64	0.73	0.73	0.83	0.58	0.68	0.77	0.77	0.88
		PI	1.22	1.22	1.22	1.22	1.22	1.29	1.29	1.29	1.29	1.29	1.37	1.37	1.37	1.37	1.37	1.45	1.45	1.45	1.45	1.45
	77°F (25°C)	TC	21362	21390	21413	21414	21443	22649	22676	22698	22703	22730	24002	24033	24060	24065	24091	25448	25476	25504	25508	25539
		S/T	0.49	0.58	0.66	0.66	0.75	0.52	0.61	0.70	0.70	0.80	0.56	0.65	0.74	0.74	0.84	0.59	0.69	0.78	0.78	0.89
		PI	1.15	1.15	1.15	1.15	1.15	1.22	1.22	1.22	1.22	1.22	1.29	1.29	1.29	1.29	1.30	1.37	1.37	1.37	1.37	1.37
	82°F (27.8°C)	TC	21845	21874	21898	21899	21929	23162	23189	23212	23216	23244	24545	24577	24605	24609	24637	26024	26053	26081	26085	26117
		S/T	0.50	0.59	0.67	0.67	0.76	0.53	0.62	0.71	0.71	0.81	0.56	0.66	0.75	0.75	0.85	0.60	0.70	0.79	0.79	0.91
		PI	1.31	1.32	1.32	1.32	1.32	1.39	1.39	1.40	1.40	1.40	1.48	1.48	1.48	1.48	1.48	1.57	1.57	1.57	1.57	1.57
	86°F (30°C)	TC	22901	22932	22957	22958	22989	24281	24310	24334	24339	24368	25732	25765	25794	25799	25828	27282	27312	27342	27346	27380
		S/T	0.51	0.59	0.68	0.68	0.77	0.54	0.63	0.72	0.72	0.82	0.57	0.67	0.76	0.76	0.87	0.60	0.71	0.80	0.80	0.92
		PI	1.70	1.70	1.70	1.70	1.71	1.80	1.81	1.81	1.81	1.81	1.91	1.91	1.92	1.92	1.92	2.03	2.03	2.03	2.03	2.03
	95°F (35°C)	TC	25277	25311	25339	25340	25374	26801	26832	26859	26864	26896	28402	28439	28471	28476	28508	30113	30146	30179	30183	30221
		S/T	0.51	0.59	0.68	0.68	0.77	0.54	0.63	0.72	0.72	0.82	0.57	0.67	0.76	0.76	0.87	0.60	0.71	0.80	0.80	0.92
		PI	2.57	2.57	2.58	2.58	2.58	2.72	2.73	2.73	2.73	2.73	2.89	2.89	2.89	2.90	2.90	3.06	3.07	3.07	3.07	3.07
	104°F (40°C)	TC	22115	22145	22168	22169	22199	23448	23475	23499	23503	23531	24848	24881	24908	24913	24941	26346	26374	26403	26407	26440
		S/T	0.52	0.61	0.69	0.69	0.79	0.55	0.65	0.73	0.73	0.84	0.58	0.68	0.78	0.78	0.89	0.62	0.73	0.82	0.83	0.94
		PI	2.52	2.52	2.53	2.53	2.53	2.67	2.67	2.68	2.68	2.68	2.83	2.83	2.84	2.84	2.84	3.00	3.00	3.01	3.01	3.01
110°F (43°C)	TC	20217	20245	20266	20267	20295	21436	21461	21482	21487	21512	22716	22746	22771	22775	22801	24085	24111	24138	24141	24171	
	S/T	0.54	0.63	0.72	0.72	0.82	0.57	0.67	0.76	0.76	0.87	0.61	0.71	0.81	0.81	0.92	0.64	0.75	0.86	0.86	0.97	
	PI	2.49	2.49	2.49	2.49	2.50	2.64	2.64	2.64	2.64	2.65	2.80	2.80	2.80	2.80	2.81	2.96	2.97	2.97	2.97	2.97	
115°F (46°C)	TC	16552	16574	16592	16593	16615	17549	17570	17587	17591	17612	18598	18622	18642	18646	18667	19718	19740	19761	19764	19789	
	S/T	0.54	0.64	0.73	0.73	0.83	0.58	0.68	0.77	0.77	0.88	0.61	0.72	0.82	0.82	0.93	0.65	0.76	0.87	0.87	0.99	
	PI	2.02	2.02	2.03	2.03	2.03	2.14	2.14	2.15	2.15	2.15	2.27	2.27	2.28	2.28	2.28	2.41	2.41	2.41	2.41	2.42	
122°F (50°C)	TC	11664	11680	11692	11693	11709	12367	12382	12394	12396	12411	13106	13123	13138	13140	13155	13896	13911	13926	13928	13945	
	S/T	0.56	0.65	0.74	0.74	0.85	0.59	0.69	0.79	0.79	0.90	0.63	0.73	0.84	0.84	0.95	0.66	0.78	0.89	0.89	1.00	
	PI	1.40	1.40	1.40	1.40	1.40	1.48	1.48	1.48	1.48	1.49	1.57	1.57	1.57	1.57	1.58	1.66	1.67	1.67	1.67	1.67	

TC:Total Cooling Capacity (BTU/hr)

S/T:Sensible Cooling Capacity Ratio

PI:Power Input(kW)

25MUC-HH-SYS-B Expanded Cooling @ 824 CFM (Preliminary Data)

CFM	OD DB (°F)	ID WB	60.8°F (16.0°C)					64.4°F (18.0°C)					67°F (19.4°C)					71.6°F (22.0°C)					
			ID DB	73.4°F	77.0°F	80.0°F	80.6°F	84.2°F	73.4°F	77.0°F	80.0°F	80.6°F	84.2°F	73.4°F	77.0°F	80.0°F	80.6°F	84.2°F	73.4°F	77.0°F	80.0°F	80.6°F	84.2°F
				23.0°C	25.0°C	26.7°C	27.0°C	29.0°C	23.0°C	25.0°C	26.7°C	27.0°C	29.0°C	23.0°C	25.0°C	26.7°C	27.0°C	29.0°C	23.0°C	25.0°C	26.7°C	27.0°C	29.0°C
824	50°F (10°C)	TC	22775	22806	22830	22831	22862	24148	24176	24200	24205	24234	25590	25624	25652	25657	25685	27132	27162	27191	27195	27229	
		S/T	0.50	0.58	0.66	0.66	0.76	0.53	0.62	0.70	0.70	0.80	0.56	0.66	0.75	0.75	0.85	0.59	0.70	0.79	0.79	0.90	
		PI	1.42	1.43	1.43	1.43	1.43	1.51	1.51	1.51	1.51	1.51	1.60	1.60	1.60	1.60	1.61	1.70	1.70	1.70	1.70	1.70	
	59°F (15°C)	TC	22686	22717	22741	22742	22773	24053	24082	24105	24110	24139	25490	25523	25552	25557	25585	27026	27055	27085	27089	27123	
		S/T	0.50	0.59	0.67	0.67	0.76	0.53	0.62	0.71	0.71	0.81	0.56	0.66	0.75	0.75	0.86	0.60	0.70	0.80	0.80	0.91	
		PI	1.35	1.35	1.36	1.36	1.36	1.43	1.44	1.44	1.44	1.44	1.52	1.52	1.52	1.52	1.53	1.61	1.61	1.62	1.62	1.62	
	68°F (20°C)	TC	22597	22627	22652	22653	22683	23959	23987	24011	24016	24044	25390	25423	25451	25456	25485	26920	26949	26979	26983	27016	
		S/T	0.51	0.60	0.69	0.69	0.78	0.54	0.64	0.73	0.73	0.83	0.58	0.68	0.77	0.77	0.88	0.61	0.72	0.82	0.82	0.93	
		PI	1.28	1.28	1.29	1.29	1.29	1.36	1.36	1.36	1.36	1.36	1.44	1.44	1.44	1.44	1.45	1.53	1.53	1.53	1.53	1.53	
	77°F (25°C)	TC	22508	22538	22562	22563	22594	23864	23893	23916	23921	23949	25290	25323	25351	25356	25384	26814	26843	26872	26876	26910	
		S/T	0.52	0.61	0.69	0.69	0.79	0.55	0.65	0.74	0.74	0.84	0.59	0.69	0.78	0.78	0.89	0.62	0.73	0.83	0.83	0.94	
		PI	1.21	1.21	1.21	1.21	1.22	1.28	1.29	1.29	1.29	1.29	1.36	1.36	1.36	1.36	1.37	1.44	1.44	1.45	1.45	1.45	
	82°F (27.8°C)	TC	23017	23048	23073	23074	23105	24404	24433	24457	24462	24491	25862	25896	25925	25930	25959	27421	27451	27480	27485	27519	
		S/T	0.53	0.62	0.70	0.70	0.80	0.56	0.66	0.75	0.75	0.85	0.59	0.70	0.79	0.79	0.90	0.63	0.74	0.84	0.84	0.95	
		PI	1.38	1.39	1.39	1.39	1.39	1.47	1.47	1.47	1.47	1.47	1.56	1.56	1.56	1.56	1.56	1.65	1.65	1.65	1.65	1.66	
	86°F (30°C)	TC	24130	24163	24189	24190	24222	25584	25615	25640	25645	25675	27113	27148	27178	27183	27214	28746	28778	28809	28813	28849	
		S/T	0.53	0.63	0.71	0.71	0.81	0.57	0.66	0.75	0.75	0.86	0.60	0.70	0.80	0.80	0.91	0.64	0.75	0.85	0.85	0.97	
		PI	1.79	1.79	1.80	1.80	1.80	1.90	1.90	1.90	1.90	1.91	2.01	2.02	2.02	2.02	2.02	2.13	2.14	2.14	2.14	2.14	
	95°F (35°C)	TC	26634	26670	26698	26700	26736	28239	28272	28300	28306	28339	29926	29965	29998	30004	30037	31729	31764	31798	31803	31843	
		S/T	0.53	0.63	0.71	0.71	0.81	0.57	0.66	0.75	0.75	0.86	0.60	0.70	0.80	0.80	0.91	0.64	0.75	0.85	0.85	0.97	
		PI	2.71	2.71	2.71	2.71	2.72	2.87	2.87	2.88	2.88	2.88	3.04	3.05	3.05	3.05	3.05	3.23	3.23	3.23	3.23	3.24	
	104°F (40°C)	TC	23302	23333	23358	23359	23391	24706	24735	24760	24764	24794	26182	26216	26245	26250	26279	27759	27790	27820	27824	27859	
		S/T	0.55	0.64	0.73	0.73	0.83	0.58	0.68	0.77	0.77	0.88	0.62	0.72	0.82	0.82	0.93	0.65	0.76	0.87	0.87	0.99	
		PI	2.65	2.66	2.66	2.66	2.66	2.81	2.82	2.82	2.82	2.82	2.98	2.99	2.99	2.99	2.99	3.16	3.17	3.17	3.17	3.17	
110°F (43°C)	TC	21302	21331	21354	21355	21384	22586	22613	22635	22640	22666	23935	23966	23993	23998	24024	25378	25405	25433	25437	25468		
	S/T	0.57	0.67	0.76	0.76	0.86	0.60	0.71	0.80	0.80	0.91	0.64	0.75	0.85	0.85	0.97	0.68	0.79	0.90	0.90	1.00		
	PI	2.62	2.63	2.63	2.63	2.63	2.78	2.78	2.79	2.79	2.79	2.95	2.95	2.95	2.95	2.96	3.12	3.13	3.13	3.13	3.13		
115°F (46°C)	TC	17440	17463	17482	17483	17506	18491	18513	18531	18535	18557	19596	19621	19643	19647	19668	20776	20799	20821	20825	20851		
	S/T	0.57	0.67	0.77	0.77	0.87	0.61	0.71	0.81	0.81	0.92	0.65	0.76	0.86	0.86	0.98	0.68	0.80	0.91	0.91	1.00		
	PI	2.13	2.13	2.13	2.13	2.14	2.26	2.26	2.26	2.26	2.27	2.39	2.40	2.40	2.40	2.40	2.54	2.54	2.54	2.54	2.55		
122°F (50°C)	TC	12290	12307	12320	12320	12337	13031	13046	13059	13062	13077	13809	13827	13842	13845	13861	14641	14657	14673	14675	14694		
	S/T	0.59	0.69	0.78	0.78	0.89	0.62	0.73	0.83	0.83	0.95	0.66	0.77	0.88	0.88	1.00	0.70	0.82	0.93	0.93	1.00		
	PI	1.47	1.47	1.48	1.48	1.48	1.56	1.56	1.56	1.56	1.57	1.65	1.66	1.66	1.66	1.66	1.75	1.76	1.76	1.76	1.76		

TC:Total Cooling Capacity (BTU/hr)

S/T:Sensible Cooling Capacity Ratio

PI:Power Input(kW)

25MUC-HH-SYS-B Expanded Heating @ 629 CFM (Preliminary Data)

CFM	HEATING PERFORMANCE AT INDOOR DRY BULB TEMPERATURE										
	OD DB (°F)	TC : Total Heating Capacity(BTU/hr)					PI : Power Input(kW)				
		Indoor Conditions (DB °F)					Indoor Conditions (DB °F)				
		60.8°F	68°F	70°F	71.6°F	75.2°F	60.8°F	68°F	70°F	71.6°F	75.2°F
629	-22°F	15172	14869	14794	15102	14967	3.38	3.40	3.41	3.42	3.43
	-13°F	19288	18902	18807	18461	18295	3.86	3.89	3.90	3.91	3.92
	-4°F	21917	21479	21371	20977	20789	4.06	4.09	4.10	4.11	4.13
	0°F	22696	22242	22131	21723	21528	4.13	4.17	4.17	4.18	4.20
	5°F	23670	23197	23081	22655	22451	4.22	4.26	4.27	4.27	4.29
	14°F	24985	24485	24363	23913	23698	3.60	3.63	3.63	3.64	3.66
	17°F	25423	24914	24790	24333	24114	3.39	3.42	3.42	3.43	3.44
	22°F	24609	24117	23997	23554	23342	3.26	3.29	3.30	3.30	3.32
	27°F	23796	23320	23203	22776	22571	3.14	3.16	3.17	3.17	3.19
	32°F	22982	22523	22410	21997	21799	3.01	3.03	3.04	3.04	3.06
	35°F	22494	22045	21934	21530	21336	2.93	2.96	2.96	2.97	2.98
	37°F	23275	22809	22695	22277	22076	2.97	2.99	3.00	3.00	3.02
	42°F	25225	24721	24597	24144	23926	3.06	3.08	3.09	3.10	3.11
	44.6°F	26005	25485	25358	24890	24666	3.10	3.12	3.13	3.13	3.15
	47°F	27176	26632	26499	26011	25777	3.15	3.18	3.18	3.19	3.20
	52°F	25153	24650	24527	24075	23858	2.90	2.92	2.93	2.93	2.95
	57°F	23130	22668	22555	22139	21940	2.65	2.67	2.67	2.68	2.69
	59°F	22321	21875	21766	21364	21172	2.54	2.57	2.57	2.58	2.59
62°F	21108	20686	20582	20203	20021	2.39	2.41	2.42	2.42	2.43	
64.4°F	20299	19893	19793	19429	19254	2.29	2.31	2.32	2.32	2.33	

25MUC-HH-SYS-B Expanded Heating @ 694 CFM (Preliminary Data)

CFM	HEATING PERFORMANCE AT INDOOR DRY BULB TEMPERATURE										
	OD DB (°F)	TC : Total Heating Capacity(BTU/hr)					PI : Power Input(kW)				
		Indoor Conditions (DB °F)					Indoor Conditions (DB °F)				
		60.8°F	68°F	70°F	71.6°F	75.2°F	60.8°F	68°F	70°F	71.6°F	75.2°F
694	-22°F	16303	15977	15897	16029	15885	3.41	3.44	3.45	3.45	3.47
	-13°F	20323	19916	19817	19594	19418	3.90	3.93	3.94	3.95	3.96
	-4°F	23093	22631	22518	22265	22065	4.10	4.13	4.14	4.15	4.17
	0°F	23914	23436	23319	23056	22849	4.17	4.21	4.22	4.22	4.24
	5°F	24940	24441	24319	24046	23829	4.27	4.30	4.31	4.32	4.33
	14°F	26325	25799	25670	25381	25153	3.63	3.66	3.67	3.68	3.69
	17°F	26787	26251	26120	25826	25594	3.42	3.45	3.46	3.47	3.48
	22°F	25930	25411	25284	25000	24775	3.30	3.32	3.33	3.34	3.35
	27°F	25073	24571	24449	24174	23956	3.17	3.19	3.20	3.21	3.22
	32°F	24216	23731	23613	23347	23137	3.04	3.06	3.07	3.08	3.09
	35°F	23701	23227	23111	22851	22646	2.96	2.99	2.99	3.00	3.01
	37°F	24524	24033	23913	23644	23431	3.00	3.02	3.03	3.03	3.05
	42°F	26579	26047	25917	25626	25395	3.09	3.12	3.12	3.13	3.14
	44.6°F	27401	26853	26719	26418	26180	3.13	3.15	3.16	3.17	3.18
	47°F	28634	28061	27921	27607	27359	3.18	3.21	3.21	3.22	3.23
	52°F	26503	25973	25843	25552	25322	2.93	2.95	2.96	2.96	2.97
	57°F	24372	23884	23765	23498	23286	2.67	2.69	2.70	2.70	2.72
59°F	23519	23049	22934	22676	22472	2.57	2.59	2.60	2.60	2.61	
62°F	22241	21796	21687	21443	21250	2.42	2.44	2.44	2.45	2.46	
64.4°F	21388	20960	20856	20621	20435	2.32	2.33	2.34	2.34	2.35	

25MUC-HH-SYS-B Expanded Heating @ 759 CFM (Preliminary Data)

CFM	HEATING PERFORMANCE AT INDOOR DRY BULB TEMPERATURE										
	OD DB (°F)	TC : Total Heating Capacity(BTU/hr)					PI : Power Input(kW)				
		Indoor Conditions (DB °F)					Indoor Conditions (DB °F)				
		60.8°F	68°F	70°F	71.6°F	75.2°F	60.8°F	68°F	70°F	71.6°F	75.2°F
759	-22°F	17518	17168	17082	17013	16860	3.45	3.47	3.48	3.49	3.50
	-13°F	21413	20985	20880	20797	20609	3.94	3.97	3.98	3.99	4.00
	-4°F	24332	23846	23727	23632	23419	4.14	4.18	4.18	4.19	4.21
	0°F	25197	24693	24570	24472	24251	4.22	4.25	4.26	4.27	4.28
	5°F	26278	25753	25624	25522	25292	4.31	4.34	4.35	4.36	4.38
	14°F	27738	27183	27047	26939	26697	3.67	3.70	3.71	3.72	3.73
	17°F	28225	27660	27522	27412	27165	3.46	3.49	3.49	3.50	3.51
	22°F	27321	26775	26641	26535	26296	3.33	3.36	3.36	3.37	3.38
	27°F	26418	25890	25760	25657	25427	3.20	3.22	3.23	3.24	3.25
	32°F	25515	25005	24880	24780	24557	3.07	3.09	3.10	3.11	3.12
	35°F	24973	24474	24352	24254	24036	2.99	3.02	3.02	3.03	3.04
	37°F	25840	25323	25196	25095	24869	3.03	3.05	3.06	3.07	3.08
	42°F	28005	27445	27308	27199	26954	3.12	3.15	3.15	3.16	3.17
	44.6°F	28871	28294	28152	28040	27787	3.16	3.18	3.19	3.20	3.21
	47°F	30171	29567	29419	29302	29038	3.21	3.24	3.25	3.25	3.27
	52°F	27925	27367	27230	27121	26877	2.96	2.98	2.99	2.99	3.00
	57°F	25680	25166	25040	24940	24715	2.70	2.72	2.73	2.73	2.74
	59°F	24781	24286	24164	24068	23851	2.60	2.62	2.62	2.63	2.64
62°F	23434	22965	22850	22759	22554	2.44	2.46	2.47	2.47	2.48	
64.4°F	22536	22085	21975	21887	21690	2.34	2.36	2.36	2.37	2.38	

25MUC-HH-SYS-B Expanded Heating @ 824 CFM (Preliminary Data)

CFM	HEATING PERFORMANCE AT INDOOR DRY BULB TEMPERATURE										
	OD DB (°F)	TC : Total Heating Capacity(BTU/hr)					PI : Power Input(kW)				
		Indoor Conditions (DB °F)					Indoor Conditions (DB °F)				
		60.8°F	68°F	70°F	71.6°F	75.2°F	60.8°F	68°F	70°F	71.6°F	75.2°F
824	-22°F	18458	18089	17998	17926	17765	3.48	3.51	3.52	3.52	3.54
	-13°F	22562	22111	22001	21913	21715	3.98	4.01	4.02	4.03	4.04
	-4°F	25638	25125	25000	24900	24676	4.18	4.22	4.23	4.23	4.25
	0°F	26549	26018	25888	25785	25553	4.26	4.29	4.30	4.31	4.33
	5°F	27689	27135	26999	26891	26649	4.35	4.39	4.40	4.40	4.42
	14°F	29226	28642	28499	28385	28129	3.71	3.74	3.75	3.75	3.77
	17°F	29739	29144	28999	28883	28623	3.49	3.52	3.53	3.54	3.55
	22°F	28788	28212	28071	27958	27707	3.36	3.39	3.40	3.40	3.42
	27°F	27836	27279	27143	27034	26791	3.23	3.26	3.26	3.27	3.28
	32°F	26884	26347	26215	26110	25875	3.10	3.13	3.13	3.14	3.15
	35°F	26313	25787	25658	25556	25326	3.02	3.05	3.05	3.06	3.07
	37°F	27226	26682	26548	26442	26204	3.06	3.08	3.09	3.10	3.11
	42°F	29508	28918	28773	28658	28400	3.15	3.18	3.19	3.19	3.20
	44.6°F	30421	29812	29663	29544	29279	3.19	3.22	3.22	3.23	3.24
	47°F	31790	31154	30998	30874	30596	3.25	3.27	3.28	3.29	3.30
	52°F	29424	28835	28691	28576	28319	2.99	3.01	3.02	3.02	3.04
	57°F	27058	26516	26384	26278	26042	2.73	2.75	2.75	2.76	2.77
	59°F	26111	25589	25461	25359	25131	2.62	2.64	2.65	2.65	2.66
62°F	24691	24198	24077	23980	23765	2.47	2.49	2.49	2.50	2.51	
64.4°F	23745	23270	23154	23061	22854	2.36	2.38	2.39	2.39	2.40	

30MUC-HH-SYS-B Expanded Cooling @ 712 CFM

CFM	OD DB (°F)	ID WB ID DB	60.8°F (16.0°C)					64.4°F (18.0°C)					67°F (19.4°C)					71.6°F (22.0°C)				
			73.4°F	77.0°F	80.0°F	80.6°F	84.2°F	73.4°F	77.0°F	80.0°F	80.6°F	84.2°F	73.4°F	77.0°F	80.0°F	80.6°F	84.2°F	73.4°F	77.0°F	80.0°F	80.6°F	84.2°F
			23.0°C	25.0°C	26.7°C	27.0°C	29.0°C	23.0°C	25.0°C	26.7°C	27.0°C	29.0°C	23.0°C	25.0°C	26.7°C	27.0°C	29.0°C	23.0°C	25.0°C	26.7°C	27.0°C	29.0°C
712	50°F (10°C)	TC	26360	26396	26424	26425	26461	27949	27982	28010	28015	28048	29619	29657	29690	29696	29729	31403	31437	31472	31477	31516
		S/T	0.40	0.47	0.54	0.54	0.61	0.43	0.50	0.57	0.57	0.65	0.45	0.53	0.60	0.60	0.69	0.48	0.56	0.64	0.64	0.73
		PI	1.05	1.06	1.06	1.06	1.06	1.12	1.12	1.12	1.12	1.12	1.18	1.19	1.19	1.19	1.19	1.26	1.26	1.26	1.26	1.26
	59°F (15°C)	TC	27219	27256	27285	27286	27323	28859	28893	28922	28928	28962	30583	30623	30657	30663	30697	32426	32461	32497	32502	32542
		S/T	0.41	0.48	0.54	0.54	0.62	0.43	0.50	0.57	0.57	0.65	0.46	0.53	0.61	0.61	0.69	0.48	0.57	0.64	0.64	0.73
		PI	1.20	1.20	1.20	1.20	1.21	1.27	1.28	1.28	1.28	1.28	1.35	1.35	1.35	1.35	1.35	1.43	1.43	1.43	1.43	1.44
	68°F (20°C)	TC	28077	28115	28146	28147	28185	29770	29805	29834	29840	29876	31548	31589	31624	31630	31666	33449	33485	33522	33527	33569
		S/T	0.42	0.49	0.55	0.55	0.63	0.44	0.52	0.59	0.59	0.67	0.47	0.55	0.62	0.62	0.71	0.50	0.58	0.66	0.66	0.75
		PI	1.35	1.35	1.35	1.35	1.35	1.43	1.43	1.43	1.43	1.44	1.52	1.52	1.52	1.52	1.52	1.61	1.61	1.61	1.61	1.61
	77°F (25°C)	TC	28936	28975	29006	29007	29047	30680	30716	30747	30753	30789	32513	32555	32591	32597	32634	34472	34509	34547	34552	34595
		S/T	0.42	0.49	0.56	0.56	0.64	0.45	0.52	0.60	0.60	0.68	0.47	0.56	0.63	0.63	0.72	0.50	0.59	0.67	0.67	0.76
		PI	1.50	1.50	1.50	1.50	1.50	1.59	1.59	1.59	1.59	1.59	1.68	1.68	1.69	1.69	1.69	1.78	1.78	1.79	1.79	1.79
	82°F (27.8°C)	TC	28957	28996	29028	29029	29068	30702	30739	30769	30775	30812	32537	32579	32615	32621	32658	34497	34535	34572	34578	34621
		S/T	0.43	0.50	0.57	0.57	0.65	0.45	0.53	0.60	0.60	0.69	0.48	0.56	0.64	0.64	0.73	0.51	0.60	0.68	0.68	0.77
		PI	1.68	1.69	1.69	1.69	1.69	1.79	1.79	1.79	1.79	1.79	1.89	1.90	1.90	1.90	1.90	2.01	2.01	2.01	2.01	2.01
	86°F (30°C)	TC	28399	28438	28468	28469	28508	30111	30146	30176	30182	30218	31910	31951	31987	31993	32028	33832	33869	33906	33911	33954
		S/T	0.43	0.51	0.58	0.58	0.66	0.46	0.54	0.61	0.61	0.70	0.49	0.57	0.65	0.65	0.74	0.51	0.60	0.69	0.69	0.78
		PI	1.97	1.97	1.97	1.97	1.98	2.09	2.09	2.09	2.09	2.09	2.21	2.22	2.22	2.22	2.22	2.35	2.35	2.35	2.35	2.35
	95°F (35°C)	TC	27144	27180	27210	27211	27248	28780	28814	28842	28848	28882	30499	30539	30573	30578	30613	32337	32372	32407	32412	32452
		S/T	0.43	0.51	0.58	0.58	0.66	0.46	0.54	0.61	0.61	0.70	0.49	0.57	0.65	0.65	0.74	0.51	0.60	0.69	0.69	0.78
		PI	2.61	2.61	2.61	2.61	2.62	2.77	2.77	2.77	2.77	2.78	2.93	2.93	2.94	2.94	2.94	3.11	3.11	3.11	3.11	3.12
	104°F (40°C)	TC	24365	24398	24424	24425	24458	25833	25864	25889	25894	25925	27377	27412	27443	27448	27478	29026	29058	29089	29094	29130
		S/T	0.44	0.52	0.59	0.59	0.67	0.47	0.55	0.63	0.63	0.71	0.50	0.58	0.66	0.66	0.76	0.53	0.62	0.70	0.70	0.80
		PI	2.53	2.53	2.53	2.53	2.54	2.68	2.68	2.69	2.69	2.69	2.84	2.84	2.85	2.85	2.85	3.01	3.01	3.02	3.02	3.02
110°F (43°C)	TC	22697	22728	22752	22754	22784	24065	24094	24118	24122	24151	25503	25536	25565	25569	25598	27040	27069	27099	27103	27137	
	S/T	0.46	0.54	0.61	0.61	0.70	0.49	0.57	0.65	0.65	0.74	0.52	0.61	0.69	0.69	0.78	0.55	0.64	0.73	0.73	0.83	
	PI	2.48	2.48	2.49	2.49	2.49	2.63	2.63	2.63	2.64	2.64	2.79	2.79	2.79	2.79	2.80	2.95	2.96	2.96	2.96	2.96	
115°F (46°C)	TC	19730	19756	19778	19778	19805	20919	20944	20964	20968	20993	22169	22197	22222	22226	22251	23504	23530	23555	23559	23588	
	S/T	0.46	0.55	0.62	0.62	0.71	0.49	0.58	0.66	0.66	0.75	0.52	0.61	0.70	0.70	0.79	0.55	0.65	0.74	0.74	0.84	
	PI	2.29	2.29	2.29	2.29	2.29	2.42	2.43	2.43	2.43	2.43	2.57	2.57	2.57	2.57	2.58	2.72	2.73	2.73	2.73	2.73	
122°F (50°C)	TC	15773	15794	15811	15812	15833	16723	16743	16760	16763	16783	17722	17745	17765	17769	17788	18790	18811	18831	18834	18858	
	S/T	0.48	0.56	0.63	0.63	0.72	0.50	0.59	0.67	0.67	0.77	0.53	0.63	0.71	0.71	0.81	0.57	0.66	0.75	0.75	0.86	
	PI	2.03	2.03	2.03	2.03	2.03	2.15	2.15	2.15	2.15	2.16	2.28	2.28	2.28	2.28	2.28	2.41	2.42	2.42	2.42	2.42	

TC:Total Cooling Capacity (BTU/hr)

S/T:Sensible Cooling Capacity Ratio

PI:Power Input(kW)

30MUC-HH-SYS-B Expanded Cooling @ 806 CFM

CFM	OD DB (°F)	ID WB ID DB	60.8°F (16.0°C)					64.4°F (18.0°C)					67°F (19.4°C)					71.6°F (22.0°C)				
			73.4°F	77.0°F	80.0°F	80.6°F	84.2°F	73.4°F	77.0°F	80.0°F	80.6°F	84.2°F	73.4°F	77.0°F	80.0°F	80.6°F	84.2°F	73.4°F	77.0°F	80.0°F	80.6°F	84.2°F
			23.0°C	25.0°C	26.7°C	27.0°C	29.0°C	23.0°C	25.0°C	26.7°C	27.0°C	29.0°C	23.0°C	25.0°C	26.7°C	27.0°C	29.0°C	23.0°C	25.0°C	26.7°C	27.0°C	29.0°C
806	50°F (10°C)	TC	28287	28325	28355	28356	28395	29991	30027	30056	30062	30098	31783	31824	31860	31866	31901	33698	33735	33771	33777	33819
		S/T	0.43	0.51	0.58	0.58	0.66	0.46	0.54	0.61	0.61	0.70	0.49	0.57	0.65	0.65	0.74	0.52	0.60	0.69	0.69	0.78
		PI	1.13	1.13	1.13	1.13	1.14	1.20	1.20	1.20	1.20	1.20	1.27	1.27	1.27	1.27	1.28	1.35	1.35	1.35	1.35	1.35
	59°F (15°C)	TC	29208	29247	29279	29280	29319	30968	31005	31035	31041	31078	32818	32861	32897	32904	32940	34796	34833	34871	34877	34920
		S/T	0.43	0.51	0.58	0.58	0.66	0.46	0.54	0.61	0.61	0.70	0.49	0.57	0.65	0.65	0.74	0.52	0.61	0.69	0.69	0.79
		PI	1.29	1.29	1.29	1.29	1.29	1.37	1.37	1.37	1.37	1.37	1.45	1.45	1.45	1.45	1.45	1.54	1.54	1.54	1.54	1.54
	68°F (20°C)	TC	30129	30170	30202	30204	30244	31945	31983	32014	32021	32059	33853	33897	33935	33941	33979	35893	35932	35971	35977	36022
		S/T	0.45	0.52	0.60	0.60	0.68	0.47	0.56	0.63	0.63	0.72	0.50	0.59	0.67	0.67	0.76	0.53	0.62	0.71	0.71	0.81
		PI	1.45	1.45	1.45	1.45	1.45	1.53	1.54	1.54	1.54	1.54	1.63	1.63	1.63	1.63	1.63	1.72	1.73	1.73	1.73	1.73
	77°F (25°C)	TC	31050	31092	31126	31127	31169	32922	32961	32993	33000	33039	34889	34934	34973	34979	35018	36991	37031	37071	37077	37123
		S/T	0.45	0.53	0.60	0.60	0.69	0.48	0.56	0.64	0.64	0.73	0.51	0.60	0.68	0.68	0.77	0.54	0.63	0.72	0.72	0.82
		PI	1.61	1.61	1.61	1.61	1.61	1.70	1.70	1.71	1.71	1.71	1.80	1.81	1.81	1.81	1.81	1.91	1.92	1.92	1.92	1.92
	82°F (27.8°C)	TC	31073	31115	31149	31150	31192	32946	32985	33018	33024	33063	34914	34960	34999	35005	35044	37018	37058	37098	37104	37150
		S/T	0.46	0.54	0.61	0.61	0.70	0.49	0.57	0.65	0.65	0.74	0.51	0.60	0.69	0.69	0.78	0.55	0.64	0.73	0.73	0.83
		PI	1.81	1.81	1.81	1.81	1.81	1.92	1.92	1.92	1.92	1.92	2.03	2.03	2.04	2.04	2.04	2.15	2.16	2.16	2.16	2.16
	86°F (30°C)	TC	30475	30515	30548	30550	30591	32311	32349	32381	32388	32426	34241	34286	34324	34331	34369	36305	36344	36384	36389	36435
		S/T	0.46	0.54	0.62	0.62	0.70	0.49	0.58	0.66	0.66	0.75	0.52	0.61	0.69	0.69	0.79	0.55	0.65	0.74	0.74	0.84
		PI	2.11	2.12	2.12	2.12	2.12	2.24	2.24	2.24	2.25	2.25	2.37	2.38	2.38	2.38	2.38	2.52	2.52	2.52	2.52	2.53
	95°F (35°C)	TC	29127	29166	29198	29199	29239	30883	30919	30950	30956	30993	32728	32770	32807	32813	32849	34700	34737	34775	34781	34824
		S/T	0.46	0.54	0.62	0.62	0.70	0.49	0.58	0.66	0.66	0.75	0.52	0.61	0.69	0.69	0.79	0.55	0.65	0.74	0.74	0.84
		PI	2.80	2.80	2.81	2.81	2.81	2.97	2.97	2.97	2.97	2.98	3.15	3.15	3.15	3.15	3.16	3.33	3.34	3.34	3.34	3.35
	104°F (40°C)	TC	26145	26180	26209	26210	26245	27721	27754	27781	27787	27820	29377	29415	29448	29453	29486	31147	31181	31215	31220	31259
		S/T	0.48	0.56	0.63	0.63	0.72	0.50	0.59	0.67	0.67	0.77	0.53	0.63	0.71	0.71	0.81	0.57	0.66	0.75	0.75	0.86
		PI	2.71	2.72	2.72	2.72	2.72	2.88	2.88	2.88	2.88	2.89	3.05	3.05	3.06	3.06	3.06	3.23	3.24	3.24	3.24	3.24
110°F (43°C)	TC	24356	24389	24415	24416	24449	25824	25854	25880	25885	25916	27367	27402	27433	27438	27468	29016	29047	29079	29083	29119	
	S/T	0.49	0.58	0.66	0.66	0.75	0.52	0.61	0.70	0.70	0.79	0.55	0.65	0.74	0.74	0.84	0.59	0.69	0.78	0.78	0.89	
	PI	2.66	2.66	2.67	2.67	2.67	2.82	2.82	2.83	2.83	2.83	2.99	2.99	3.00	3.00	3.00	3.17	3.17	3.18	3.18	3.18	
115°F (46°C)	TC	21171	21200	21223	21224	21252	22447	22474	22496	22501	22527	23788	23819	23846	23850	23877	25222	25249	25277	25281	25312	
	S/T	0.50	0.58	0.66	0.66	0.76	0.53	0.62	0.70	0.70	0.80	0.56	0.66	0.75	0.75	0.85	0.59	0.70	0.79	0.79	0.90	
	PI	2.45	2.46	2.46	2.46	2.46	2.60	2.60	2.61	2.61	2.61	2.76	2.76	2.76	2.76	2.77	2.92	2.92	2.93	2.93	2.93	
122°F (50°C)	TC	16925	16948	16966	16967	16990	17945	17967	17984	17988	18009	19017	19042	19063	19067	19088	20163	20185	20207	20210	20235	
	S/T	0.51	0.60	0.68	0.68	0.78	0.54	0.63	0.72	0.72	0.82	0.57	0.67	0.76	0.76	0.87	0.61	0.71	0.81	0.81	0.92	
	PI	2.17	2.18	2.18	2.18	2.18	2.30	2.31	2.31	2.31	2.31	2.44	2.45	2.45	2.45	2.45	2.59	2.59	2.60	2.60	2.60	

TC:Total Cooling Capacity (BTU/hr)

S/T:Sensible Cooling Capacity Ratio

PI:Power Input(kW)

30MUC-HH-SYS-B Expanded Cooling @ 894 CFM

CFM	OD DB (°F)	ID WB ID DB	60.8°F (16.0°C)					64.4°F (18.0°C)					67°F (19.4°C)					71.6°F (22.0°C)				
			73.4°F	77.0°F	80.0°F	80.6°F	84.2°F	73.4°F	77.0°F	80.0°F	80.6°F	84.2°F	73.4°F	77.0°F	80.0°F	80.6°F	84.2°F	73.4°F	77.0°F	80.0°F	80.6°F	84.2°F
			23.0°C	25.0°C	26.7°C	27.0°C	29.0°C	23.0°C	25.0°C	26.7°C	27.0°C	29.0°C	23.0°C	25.0°C	26.7°C	27.0°C	29.0°C	23.0°C	25.0°C	26.7°C	27.0°C	29.0°C
894	50°F (10°C)	TC	30353	30394	30427	30428	30469	32183	32221	32253	32259	32297	34105	34150	34188	34194	34232	36160	36200	36239	36245	36290
		S/T	0.46	0.54	0.62	0.62	0.71	0.49	0.58	0.66	0.66	0.75	0.52	0.61	0.70	0.70	0.79	0.55	0.65	0.74	0.74	0.84
		PI	1.21	1.22	1.22	1.22	1.22	1.29	1.29	1.29	1.29	1.29	1.36	1.37	1.37	1.37	1.37	1.45	1.45	1.45	1.45	1.45
	59°F (15°C)	TC	31342	31384	31418	31419	31462	33231	33270	33303	33310	33349	35216	35262	35301	35308	35347	37338	37379	37419	37425	37472
		S/T	0.47	0.55	0.62	0.62	0.71	0.49	0.58	0.66	0.66	0.75	0.52	0.62	0.70	0.70	0.80	0.56	0.65	0.74	0.74	0.84
		PI	1.38	1.39	1.39	1.39	1.39	1.47	1.47	1.47	1.47	1.47	1.55	1.56	1.56	1.56	1.56	1.65	1.65	1.65	1.65	1.65
	68°F (20°C)	TC	32331	32374	32409	32411	32454	34279	34320	34354	34360	34401	36327	36374	36415	36422	36462	38516	38558	38600	38606	38654
		S/T	0.48	0.56	0.64	0.64	0.73	0.51	0.60	0.68	0.68	0.77	0.54	0.63	0.72	0.72	0.82	0.57	0.67	0.76	0.76	0.87
		PI	1.55	1.56	1.56	1.56	1.56	1.65	1.65	1.65	1.65	1.65	1.75	1.75	1.75	1.75	1.75	1.85	1.85	1.85	1.85	1.86
	77°F (25°C)	TC	33319	33364	33400	33402	33447	35327	35369	35404	35411	35453	37438	37487	37528	37535	37577	39694	39737	39780	39786	39836
		S/T	0.49	0.57	0.65	0.65	0.74	0.51	0.60	0.69	0.69	0.78	0.55	0.64	0.73	0.73	0.83	0.58	0.68	0.77	0.77	0.88
		PI	1.72	1.73	1.73	1.73	1.73	1.83	1.83	1.83	1.83	1.83	1.94	1.94	1.94	1.94	1.94	2.05	2.06	2.06	2.06	2.06
	82°F (27.8°C)	TC	33344	33389	33425	33426	33471	35353	35395	35430	35437	35479	37465	37514	37556	37563	37605	39723	39766	39809	39815	39865
		S/T	0.49	0.58	0.66	0.66	0.75	0.52	0.61	0.69	0.69	0.79	0.55	0.65	0.74	0.74	0.84	0.59	0.69	0.78	0.78	0.89
		PI	1.94	1.94	1.94	1.94	1.95	2.06	2.06	2.06	2.06	2.06	2.18	2.18	2.18	2.19	2.19	2.31	2.31	2.32	2.32	2.32
	86°F (30°C)	TC	32701	32745	32781	32782	32826	34672	34713	34747	34754	34796	36744	36791	36832	36839	36880	38957	39000	39042	39048	39097
		S/T	0.50	0.58	0.66	0.66	0.76	0.53	0.62	0.70	0.70	0.80	0.56	0.66	0.75	0.75	0.85	0.59	0.70	0.79	0.79	0.90
		PI	2.27	2.27	2.27	2.27	2.28	2.40	2.41	2.41	2.41	2.41	2.55	2.55	2.55	2.55	2.56	2.70	2.70	2.71	2.71	2.71
	95°F (35°C)	TC	31256	31298	31331	31333	31375	33139	33178	33211	33218	33257	35119	35165	35204	35210	35250	37235	37276	37316	37322	37368
		S/T	0.50	0.58	0.66	0.66	0.76	0.53	0.62	0.70	0.70	0.80	0.56	0.66	0.75	0.75	0.85	0.59	0.70	0.79	0.79	0.90
		PI	3.00	3.01	3.01	3.01	3.02	3.18	3.19	3.19	3.19	3.20	3.37	3.38	3.38	3.38	3.39	3.58	3.58	3.59	3.59	3.59
	104°F (40°C)	TC	28056	28093	28124	28125	28163	29746	29782	29811	29817	29852	31524	31565	31600	31606	31641	33423	33459	33496	33501	33543
		S/T	0.51	0.60	0.68	0.68	0.78	0.54	0.63	0.72	0.72	0.82	0.57	0.67	0.76	0.76	0.87	0.61	0.71	0.81	0.81	0.92
		PI	2.91	2.91	2.92	2.92	2.92	3.09	3.09	3.09	3.09	3.10	3.27	3.27	3.28	3.28	3.28	3.47	3.47	3.48	3.48	3.48
110°F (43°C)	TC	26136	26171	26199	26200	26236	27711	27744	27771	27777	27809	29366	29405	29437	29443	29476	31136	31170	31204	31208	31247	
	S/T	0.53	0.62	0.70	0.71	0.80	0.56	0.66	0.75	0.75	0.85	0.59	0.70	0.79	0.79	0.90	0.63	0.74	0.84	0.84	0.96	
	PI	2.86	2.86	2.86	2.86	2.87	3.03	3.03	3.03	3.03	3.04	3.21	3.21	3.22	3.22	3.22	3.40	3.41	3.41	3.41	3.41	
115°F (46°C)	TC	22718	22749	22774	22775	22805	24088	24116	24140	24145	24173	25527	25560	25588	25593	25622	27065	27094	27124	27128	27162	
	S/T	0.53	0.63	0.71	0.71	0.81	0.57	0.67	0.76	0.76	0.86	0.60	0.71	0.80	0.80	0.91	0.64	0.75	0.85	0.85	0.97	
	PI	2.63	2.63	2.64	2.64	2.64	2.79	2.79	2.80	2.80	2.80	2.96	2.96	2.96	2.96	2.97	3.13	3.14	3.14	3.14	3.15	
122°F (50°C)	TC	18162	18186	18206	18207	18231	19257	19279	19298	19302	19325	20407	20434	20456	20460	20483	21637	21660	21684	21687	21714	
	S/T	0.55	0.64	0.73	0.73	0.83	0.58	0.68	0.77	0.77	0.88	0.62	0.72	0.82	0.82	0.93	0.65	0.76	0.87	0.87	0.99	
	PI	2.33	2.34	2.34	2.34	2.34	2.47	2.48	2.48	2.48	2.48	2.62	2.62	2.63	2.63	2.63	2.78	2.78	2.78	2.79	2.79	

TC:Total Cooling Capacity (BTU/hr)

S/T:Sensible Cooling Capacity Ratio

PI:Power Input(kW)

30MUC-HH-SYS-B Expanded Cooling @ 988 CFM

CFM	OD DB (°F)	ID WB	60.8°F (16.0°C)					64.4°F (18.0°C)					67°F (19.4°C)					71.6°F (22.0°C)				
			ID DB					ID DB					ID DB					ID DB				
			73.4°F	77.0°F	80.0°F	80.6°F	84.2°F	73.4°F	77.0°F	80.0°F	80.6°F	84.2°F	73.4°F	77.0°F	80.0°F	80.6°F	84.2°F	73.4°F	77.0°F	80.0°F	80.6°F	84.2°F
23.0°C	25.0°C	26.7°C	27.0°C	29.0°C	23.0°C	25.0°C	26.7°C	27.0°C	29.0°C	23.0°C	25.0°C	26.7°C	27.0°C	29.0°C	23.0°C	25.0°C	26.7°C	27.0°C	29.0°C			
988	50°F (10°C)	TC	32571	32615	32650	32652	32696	34534	34575	34609	34616	34657	36598	36645	36686	36693	36734	38803	38845	38887	38893	38942
		S/T	0.50	0.58	0.66	0.66	0.76	0.53	0.62	0.70	0.70	0.80	0.56	0.66	0.75	0.75	0.85	0.59	0.70	0.79	0.79	0.90
		PI	1.30	1.30	1.31	1.31	1.31	1.38	1.38	1.38	1.38	1.39	1.46	1.47	1.47	1.47	1.47	1.55	1.55	1.55	1.56	1.56
	59°F (15°C)	TC	33632	33678	33714	33715	33761	35659	35701	35737	35744	35786	37790	37839	37881	37888	37930	40066	40110	40154	40160	40210
		S/T	0.50	0.59	0.67	0.67	0.76	0.53	0.62	0.71	0.71	0.81	0.56	0.66	0.75	0.75	0.86	0.60	0.70	0.80	0.80	0.91
		PI	1.48	1.49	1.49	1.49	1.49	1.57	1.58	1.58	1.58	1.58	1.67	1.67	1.67	1.67	1.67	1.77	1.77	1.77	1.77	1.77
	68°F (20°C)	TC	34693	34740	34777	34779	34826	36784	36827	36864	36871	36915	38982	39032	39076	39083	39127	41330	41375	41420	41427	41478
		S/T	0.51	0.60	0.69	0.69	0.78	0.54	0.64	0.73	0.73	0.83	0.58	0.68	0.77	0.77	0.88	0.61	0.72	0.82	0.82	0.93
		PI	1.67	1.67	1.67	1.67	1.67	1.77	1.77	1.77	1.77	1.77	1.87	1.88	1.88	1.88	1.88	1.99	1.99	1.99	1.99	1.99
	77°F (25°C)	TC	35754	35802	35841	35842	35891	37909	37954	37991	37999	38044	40174	40226	40271	40278	40323	42594	42640	42687	42693	42747
		S/T	0.52	0.61	0.69	0.69	0.79	0.55	0.65	0.74	0.74	0.84	0.59	0.69	0.78	0.78	0.89	0.62	0.73	0.83	0.83	0.94
		PI	1.85	1.85	1.85	1.85	1.86	1.96	1.96	1.96	1.97	1.97	2.08	2.08	2.08	2.08	2.09	2.20	2.21	2.21	2.21	2.21
	82°F (27.8°C)	TC	35780	35828	35867	35869	35917	37937	37982	38019	38027	38072	40203	40255	40300	40308	40353	42625	42672	42718	42725	42778
		S/T	0.53	0.62	0.70	0.70	0.80	0.56	0.66	0.75	0.75	0.85	0.59	0.70	0.79	0.79	0.90	0.63	0.74	0.84	0.84	0.95
		PI	2.08	2.08	2.09	2.09	2.09	2.21	2.21	2.21	2.21	2.21	2.34	2.34	2.34	2.34	2.35	2.48	2.48	2.48	2.49	2.49
	86°F (30°C)	TC	35091	35138	35176	35177	35225	37206	37250	37286	37294	37338	39428	39480	39524	39531	39575	41804	41849	41895	41902	41954
		S/T	0.53	0.63	0.71	0.71	0.81	0.57	0.66	0.75	0.75	0.86	0.60	0.70	0.80	0.80	0.91	0.64	0.75	0.85	0.85	0.97
		PI	2.43	2.44	2.44	2.44	2.44	2.58	2.58	2.58	2.59	2.59	2.73	2.74	2.74	2.74	2.74	2.90	2.90	2.90	2.90	2.91
	95°F (35°C)	TC	33539	33585	33621	33622	33668	35561	35603	35638	35645	35687	37685	37734	37776	37783	37825	39956	39999	40043	40049	40099
		S/T	0.53	0.63	0.71	0.71	0.81	0.57	0.66	0.75	0.75	0.86	0.60	0.70	0.80	0.80	0.91	0.64	0.75	0.85	0.85	0.97
		PI	3.22	3.23	3.23	3.23	3.24	3.42	3.42	3.42	3.43	3.43	3.62	3.63	3.63	3.63	3.64	3.84	3.84	3.85	3.85	3.85
	104°F (40°C)	TC	30106	30146	30179	30180	30221	31920	31958	31989	31996	32034	33827	33871	33909	33915	33953	35865	35904	35943	35949	35994
		S/T	0.55	0.64	0.73	0.73	0.83	0.58	0.68	0.77	0.77	0.88	0.62	0.72	0.82	0.82	0.93	0.65	0.76	0.87	0.87	0.99
		PI	3.12	3.13	3.13	3.13	3.14	3.31	3.32	3.32	3.32	3.32	3.51	3.51	3.52	3.52	3.52	3.72	3.73	3.73	3.73	3.73
110°F (43°C)	TC	28046	28083	28113	28115	28153	29736	29771	29800	29806	29842	31512	31553	31588	31594	31629	33411	33447	33484	33489	33531	
	S/T	0.57	0.67	0.76	0.76	0.86	0.60	0.71	0.80	0.80	0.91	0.64	0.75	0.85	0.85	0.97	0.68	0.79	0.90	0.90	1.00	
	PI	3.06	3.07	3.07	3.07	3.08	3.25	3.25	3.26	3.26	3.26	3.44	3.45	3.45	3.45	3.46	3.65	3.65	3.66	3.66	3.66	
115°F (46°C)	TC	24379	24411	24438	24439	24472	25848	25878	25904	25909	25940	27392	27427	27458	27463	27494	29042	29074	29106	29110	29146	
	S/T	0.57	0.67	0.77	0.77	0.87	0.61	0.71	0.81	0.81	0.92	0.65	0.76	0.86	0.86	0.98	0.68	0.80	0.91	0.91	1.00	
	PI	2.82	2.83	2.83	2.83	2.83	2.99	3.00	3.00	3.00	3.00	3.17	3.18	3.18	3.18	3.18	3.36	3.37	3.37	3.37	3.38	
122°F (50°C)	TC	19489	19515	19536	19537	19564	20664	20688	20709	20713	20737	21898	21927	21951	21955	21980	23218	23243	23268	23272	23301	
	S/T	0.59	0.69	0.78	0.78	0.89	0.62	0.73	0.83	0.83	0.95	0.66	0.77	0.88	0.88	1.00	0.70	0.82	0.93	0.93	1.00	
	PI	2.50	2.51	2.51	2.51	2.51	2.65	2.66	2.66	2.66	2.66	2.81	2.82	2.82	2.82	2.82	2.98	2.98	2.99	2.99	2.99	

TC:Total Cooling Capacity (BTU/hr)

S/T:Sensible Cooling Capacity Ratio

PI:Power Input(kW)

30MUC-HH-SYS-B Expanded Heating @ 712 CFM

CFM	HEATING PERFORMANCE AT INDOOR DRY BULB TEMPERATURE										
	OD DB (°F)	TC : Total Heating Capacity(BTU/hr)					PI : Power Input(kW)				
		Indoor Conditions (DB °F)					Indoor Conditions (DB °F)				
		60.8°F	68°F	70°F	71.6°F	75.2°F	60.8°F	68°F	70°F	71.6°F	75.2°F
712	-22°F	14835	14539	14466	14870	14737	3.71	3.73	3.74	3.75	3.77
	-13°F	20335	19928	19829	19599	19423	4.07	4.10	4.11	4.12	4.13
	-4°F	24307	23820	23701	23427	23216	4.40	4.44	4.44	4.45	4.47
	0°F	25691	25178	25052	24762	24539	4.46	4.50	4.51	4.51	4.53
	5°F	27422	26874	26740	26430	26192	4.54	4.57	4.58	4.59	4.61
	14°F	26714	26179	26048	25747	25515	4.13	4.16	4.17	4.18	4.19
	17°F	26477	25948	25818	25519	25289	3.99	4.02	4.03	4.04	4.05
	22°F	26347	25820	25691	25394	25165	3.78	3.81	3.82	3.83	3.84
	27°F	26217	25693	25564	25268	25041	3.57	3.60	3.61	3.61	3.63
	32°F	26087	25565	25438	25143	24917	3.36	3.39	3.39	3.40	3.41
	35°F	26009	25489	25361	25068	24842	3.23	3.26	3.27	3.27	3.28
	37°F	27229	26684	26551	26244	26008	3.22	3.24	3.25	3.26	3.27
	42°F	30279	29673	29525	29183	28920	3.18	3.21	3.22	3.22	3.24
	44.6°F	31499	30869	30714	30359	30086	3.17	3.20	3.20	3.21	3.22
	47°F	33328	32662	32498	32122	31833	3.15	3.17	3.18	3.19	3.20
	52°F	31324	30697	30544	30190	29918	2.76	2.78	2.79	2.79	2.81
	57°F	29319	28733	28589	28258	28004	2.37	2.39	2.40	2.40	2.41
	59°F	28517	27947	27807	27485	27238	2.22	2.24	2.24	2.25	2.26
62°F	27314	26768	26634	26326	26089	1.99	2.00	2.01	2.01	2.02	
64.4°F	26512	25982	25852	25553	25323	1.83	1.85	1.85	1.85	1.86	

30MUC-HH-SYS-B Expanded Heating @ 806 CFM

CFM	HEATING PERFORMANCE AT INDOOR DRY BULB TEMPERATURE										
	OD DB (°F)	TC : Total Heating Capacity(BTU/hr)					PI : Power Input(kW)				
		Indoor Conditions (DB °F)					Indoor Conditions (DB °F)				
		60.8°F	68°F	70°F	71.6°F	75.2°F	60.8°F	68°F	70°F	71.6°F	75.2°F
806	-22°F	16235	15910	15830	16018	15874	3.74	3.77	3.78	3.79	3.80
	-13°F	21821	21384	21277	21112	20922	4.11	4.14	4.15	4.16	4.17
	-4°F	26083	25561	25433	25235	25008	4.44	4.48	4.49	4.50	4.52
	0°F	27569	27017	26882	26673	26433	4.51	4.54	4.55	4.56	4.58
	5°F	29426	28838	28693	28470	28214	4.58	4.62	4.63	4.64	4.66
	14°F	28665	28092	27952	27734	27484	4.17	4.20	4.21	4.22	4.24
	17°F	28412	27844	27704	27489	27241	4.03	4.06	4.07	4.08	4.10
	22°F	28272	27707	27568	27354	27107	3.82	3.85	3.86	3.86	3.88
	27°F	28133	27570	27432	27219	26974	3.61	3.63	3.64	3.65	3.66
	32°F	27993	27433	27296	27084	26840	3.39	3.42	3.43	3.43	3.45
	35°F	27910	27351	27215	27003	26760	3.27	3.29	3.30	3.30	3.32
	37°F	29219	28634	28491	28269	28015	3.25	3.28	3.28	3.29	3.30
	42°F	32491	31841	31682	31435	31152	3.22	3.24	3.25	3.25	3.27
	44.6°F	33800	33124	32959	32702	32407	3.20	3.23	3.23	3.24	3.25
	47°F	35764	35048	34873	34601	34290	3.18	3.21	3.21	3.22	3.23
	52°F	33612	32940	32776	32520	32227	2.79	2.81	2.82	2.82	2.83
	57°F	31461	30832	30678	30439	30165	2.40	2.42	2.42	2.43	2.44
	59°F	30601	29989	29839	29606	29340	2.24	2.26	2.26	2.27	2.28
62°F	29310	28724	28580	28358	28102	2.01	2.02	2.03	2.03	2.04	
64.4°F	28450	27881	27741	27525	27277	1.85	1.87	1.87	1.87	1.88	

30MUC-HH-SYS-B Expanded Heating @ 894 CFM

CFM	HEATING PERFORMANCE AT INDOOR DRY BULB TEMPERATURE										
	OD DB (°F)	TC : Total Heating Capacity(BTU/hr)					PI : Power Input(kW)				
		Indoor Conditions (DB °F)					Indoor Conditions (DB °F)				
		60.8°F	68°F	70°F	71.6°F	75.2°F	60.8°F	68°F	70°F	71.6°F	75.2°F
894	-22°F	17766	17410	17323	17254	17099	3.78	3.81	3.82	3.83	3.84
	-13°F	23415	22947	22832	22741	22536	4.15	4.18	4.19	4.20	4.22
	-4°F	27989	27429	27292	27182	26938	4.49	4.53	4.53	4.54	4.56
	0°F	29583	28991	28847	28731	28473	4.55	4.59	4.60	4.61	4.63
	5°F	31576	30945	30790	30667	30391	4.63	4.67	4.68	4.69	4.70
	14°F	30760	30145	29994	29874	29605	4.21	4.24	4.25	4.26	4.28
	17°F	30488	29878	29729	29610	29343	4.07	4.10	4.11	4.12	4.14
	22°F	30338	29732	29583	29465	29199	3.86	3.89	3.89	3.90	3.92
	27°F	30189	29585	29437	29319	29055	3.64	3.67	3.68	3.69	3.70
	32°F	30039	29438	29291	29174	28911	3.43	3.45	3.46	3.47	3.48
	35°F	29949	29350	29203	29086	28825	3.30	3.32	3.33	3.34	3.35
	37°F	31354	30727	30573	30451	30177	3.28	3.31	3.32	3.32	3.34
	42°F	34865	34168	33997	33861	33556	3.25	3.27	3.28	3.29	3.30
	44.6°F	36270	35545	35367	35225	34908	3.23	3.26	3.27	3.27	3.29
	47°F	38377	37609	37421	37272	36936	3.21	3.24	3.24	3.25	3.26
	52°F	36069	35347	35170	35030	34715	2.82	2.84	2.85	2.85	2.86
	57°F	33760	33085	32920	32788	32493	2.42	2.44	2.45	2.45	2.46
59°F	32837	32180	32019	31891	31604	2.26	2.28	2.29	2.29	2.30	
62°F	31452	30823	30669	30546	30271	2.03	2.04	2.05	2.05	2.06	
64.4°F	30528	29918	29768	29649	29382	1.87	1.88	1.89	1.89	1.90	

30MUC-HH-SYS-B Expanded Heating @ 988 CFM

CFM	HEATING PERFORMANCE AT INDOOR DRY BULB TEMPERATURE										
	OD DB (°F)	TC : Total Heating Capacity(BTU/hr)					PI : Power Input(kW)				
		Indoor Conditions (DB °F)					Indoor Conditions (DB °F)				
		60.8°F	68°F	70°F	71.6°F	75.2°F	60.8°F	68°F	70°F	71.6°F	75.2°F
988	-22°F	19064	18683	18589	18515	18348	3.82	3.85	3.86	3.86	3.88
	-13°F	25126	24624	24501	24403	24183	4.19	4.23	4.23	4.24	4.26
	-4°F	30034	29433	29286	29169	28906	4.53	4.57	4.58	4.59	4.61
	0°F	31745	31110	30954	30831	30553	4.60	4.63	4.64	4.65	4.67
	5°F	33884	33206	33040	32908	32612	4.68	4.71	4.72	4.73	4.75
	14°F	33008	32348	32186	32057	31769	4.25	4.29	4.30	4.30	4.32
	17°F	32716	32061	31901	31774	31488	4.11	4.14	4.15	4.16	4.18
	22°F	32555	31904	31745	31618	31333	3.89	3.93	3.93	3.94	3.96
	27°F	32394	31747	31588	31461	31178	3.68	3.71	3.72	3.72	3.74
	32°F	32234	31589	31431	31305	31024	3.46	3.49	3.50	3.50	3.52
	35°F	32137	31495	31337	31212	30931	3.33	3.36	3.37	3.37	3.39
	37°F	33645	32972	32807	32676	32382	3.32	3.34	3.35	3.36	3.37
	42°F	37413	36665	36481	36335	36008	3.28	3.31	3.31	3.32	3.33
	44.6°F	38920	38142	37951	37799	37459	3.27	3.29	3.30	3.31	3.32
	47°F	41181	40358	40156	39995	39635	3.24	3.27	3.28	3.28	3.30
	52°F	38704	37930	37740	37589	37251	2.85	2.87	2.87	2.88	2.89
	57°F	36227	35503	35325	35184	34867	2.45	2.47	2.47	2.48	2.49
	59°F	35236	34532	34359	34221	33913	2.29	2.31	2.31	2.31	2.32
62°F	33750	33075	32910	32778	32483	2.05	2.06	2.07	2.07	2.08	
64.4°F	32759	32104	31943	31816	31529	1.89	1.90	1.91	1.91	1.92	

36MUC-HH-SYS-B Expanded Cooling @ 865 CFM

CFM	OD DB (°F)	ID WB ID DB	60.8°F (16.0°C)					64.4°F (18.0°C)					67°F (19.4°C)					71.6°F (22.0°C)				
			73.4°F	77.0°F	80.0°F	80.6°F	84.2°F	73.4°F	77.0°F	80.0°F	80.6°F	84.2°F	73.4°F	77.0°F	80.0°F	80.6°F	84.2°F	73.4°F	77.0°F	80.0°F	80.6°F	84.2°F
			23.0°C	25.0°C	26.7°C	27.0°C	29.0°C	23.0°C	25.0°C	26.7°C	27.0°C	29.0°C	23.0°C	25.0°C	26.7°C	27.0°C	29.0°C	23.0°C	25.0°C	26.7°C	27.0°C	29.0°C
865	50°F (10°C)	TC	30492	30533	30566	30567	30608	32329	32368	32400	32406	32445	34261	34305	34344	34350	34388	36325	36365	36404	36410	36455
		S/T	0.41	0.48	0.55	0.55	0.63	0.44	0.51	0.58	0.58	0.66	0.46	0.54	0.62	0.62	0.70	0.49	0.58	0.65	0.65	0.75
		PI	1.39	1.39	1.39	1.39	1.39	1.47	1.47	1.47	1.47	1.48	1.56	1.56	1.56	1.56	1.56	1.65	1.65	1.66	1.66	1.66
	59°F (15°C)	TC	30375	30416	30449	30450	30491	32206	32244	32276	32282	32321	34130	34174	34213	34219	34257	36187	36226	36265	36271	36316
		S/T	0.41	0.49	0.55	0.55	0.63	0.44	0.52	0.59	0.59	0.67	0.47	0.55	0.62	0.62	0.71	0.49	0.58	0.66	0.66	0.75
		PI	1.58	1.58	1.59	1.59	1.59	1.68	1.68	1.68	1.68	1.68	1.78	1.78	1.78	1.78	1.78	1.88	1.89	1.89	1.89	1.89
	68°F (20°C)	TC	30259	30300	30332	30334	30375	32083	32121	32152	32159	32197	33999	34044	34081	34088	34126	36048	36087	36126	36132	36177
		S/T	0.43	0.50	0.57	0.57	0.65	0.45	0.53	0.60	0.60	0.69	0.48	0.56	0.64	0.64	0.73	0.51	0.59	0.68	0.68	0.77
		PI	1.78	1.78	1.78	1.78	1.78	1.88	1.89	1.89	1.89	1.89	2.00	2.00	2.00	2.00	2.00	2.12	2.12	2.12	2.12	2.12
	77°F (25°C)	TC	30143	30183	30216	30217	30258	31959	31997	32029	32035	32073	33869	33913	33950	33957	33995	35909	35948	35987	35993	36038
		S/T	0.43	0.51	0.57	0.57	0.65	0.46	0.54	0.61	0.61	0.69	0.48	0.57	0.65	0.65	0.74	0.51	0.60	0.68	0.68	0.78
		PI	1.97	1.97	1.98	1.98	1.98	2.09	2.09	2.09	2.09	2.10	2.21	2.22	2.22	2.22	2.22	2.35	2.35	2.35	2.35	2.36
	82°F (27.8°C)	TC	30161	30202	30235	30236	30277	31979	32017	32049	32055	32093	33890	33934	33972	33978	34016	35932	35971	36010	36015	36060
		S/T	0.44	0.51	0.58	0.58	0.66	0.46	0.54	0.62	0.62	0.70	0.49	0.58	0.65	0.65	0.75	0.52	0.61	0.69	0.69	0.79
		PI	2.19	2.20	2.20	2.20	2.20	2.32	2.33	2.33	2.33	2.33	2.46	2.47	2.47	2.47	2.47	2.61	2.61	2.62	2.62	2.62
	86°F (30°C)	TC	30282	30323	30355	30357	30398	32107	32145	32177	32183	32221	34025	34069	34107	34113	34152	36075	36114	36154	36159	36204
		S/T	0.44	0.52	0.59	0.59	0.67	0.47	0.55	0.62	0.62	0.71	0.50	0.58	0.66	0.66	0.75	0.53	0.62	0.70	0.70	0.80
		PI	2.51	2.52	2.52	2.52	2.52	2.66	2.67	2.67	2.67	2.67	2.82	2.83	2.83	2.83	2.83	2.99	3.00	3.00	3.00	3.00
	95°F (35°C)	TC	30553	30594	30627	30628	30669	32394	32432	32464	32471	32509	34329	34374	34412	34419	34457	36398	36437	36477	36483	36528
		S/T	0.44	0.52	0.59	0.59	0.67	0.47	0.55	0.62	0.62	0.71	0.50	0.58	0.66	0.66	0.75	0.53	0.62	0.70	0.70	0.80
		PI	3.23	3.24	3.24	3.24	3.24	3.43	3.43	3.43	3.43	3.44	3.63	3.64	3.64	3.64	3.64	3.85	3.85	3.86	3.86	3.86
	104°F (40°C)	TC	28016	28053	28083	28085	28123	29704	29739	29768	29774	29810	31479	31519	31555	31560	31596	33375	33411	33448	33453	33495
		S/T	0.45	0.53	0.60	0.60	0.69	0.48	0.56	0.64	0.64	0.73	0.51	0.60	0.68	0.68	0.77	0.54	0.63	0.72	0.72	0.82
		PI	3.20	3.20	3.21	3.21	3.21	3.39	3.39	3.40	3.40	3.40	3.59	3.60	3.60	3.60	3.61	3.81	3.81	3.82	3.82	3.82
110°F (43°C)	TC	26493	26529	26557	26559	26594	28090	28123	28151	28156	28190	29768	29807	29840	29846	29879	31562	31596	31630	31635	31675	
	S/T	0.47	0.55	0.63	0.63	0.71	0.50	0.58	0.66	0.66	0.76	0.53	0.62	0.70	0.70	0.80	0.56	0.66	0.75	0.75	0.85	
	PI	3.18	3.18	3.19	3.19	3.19	3.37	3.37	3.38	3.38	3.38	3.57	3.58	3.58	3.58	3.58	3.79	3.79	3.79	3.79	3.80	
115°F (46°C)	TC	22651	22682	22706	22707	22738	24016	24045	24069	24073	24102	25451	25484	25513	25517	25546	26985	27014	27043	27048	27081	
	S/T	0.47	0.56	0.63	0.63	0.72	0.50	0.59	0.67	0.67	0.77	0.53	0.63	0.71	0.71	0.81	0.57	0.66	0.75	0.75	0.86	
	PI	2.85	2.86	2.86	2.86	2.86	3.02	3.03	3.03	3.03	3.04	3.20	3.21	3.21	3.21	3.22	3.40	3.40	3.41	3.41	3.41	
122°F (50°C)	TC	17529	17552	17571	17572	17596	18585	18607	18625	18629	18651	19695	19721	19743	19747	19769	20882	20905	20928	20931	20957	
	S/T	0.49	0.57	0.65	0.65	0.74	0.52	0.60	0.69	0.69	0.78	0.55	0.64	0.73	0.73	0.83	0.58	0.68	0.77	0.77	0.88	
	PI	2.42	2.42	2.42	2.42	2.43	2.56	2.57	2.57	2.57	2.57	2.72	2.72	2.72	2.72	2.73	2.88	2.88	2.89	2.89	2.89	

TC:Total Cooling Capacity (BTU/hr)

S/T:Sensible Cooling Capacity Ratio

PI:Power Input(kW)

36MUC-HH-SYS-B Expanded Cooling @ 970 CFM

CFM	OD DB (°F)	ID WB ID DB	60.8°F (16.0°C)					64.4°F (18.0°C)					67°F (19.4°C)					71.6°F (22.0°C)				
			73.4°F	77.0°F	80.0°F	80.6°F	84.2°F	73.4°F	77.0°F	80.0°F	80.6°F	84.2°F	73.4°F	77.0°F	80.0°F	80.6°F	84.2°F	73.4°F	77.0°F	80.0°F	80.6°F	84.2°F
			23.0°C	25.0°C	26.7°C	27.0°C	29.0°C	23.0°C	25.0°C	26.7°C	27.0°C	29.0°C	23.0°C	25.0°C	26.7°C	27.0°C	29.0°C	23.0°C	25.0°C	26.7°C	27.0°C	29.0°C
970	50°F (10°C)	TC	32482	32526	32561	32562	32606	34439	34480	34514	34521	34562	36497	36544	36585	36592	36633	38696	38738	38780	38786	38834
		S/T	0.44	0.52	0.59	0.59	0.67	0.47	0.55	0.62	0.62	0.71	0.49	0.58	0.66	0.66	0.75	0.52	0.61	0.70	0.70	0.79
		PI	1.48	1.48	1.48	1.48	1.48	1.57	1.57	1.57	1.57	1.57	1.66	1.66	1.66	1.66	1.67	1.76	1.76	1.76	1.76	1.77
	59°F (15°C)	TC	32358	32401	32436	32438	32481	34308	34349	34382	34389	34430	36358	36405	36445	36452	36493	38548	38590	38632	38638	38686
		S/T	0.44	0.52	0.59	0.59	0.67	0.47	0.55	0.62	0.62	0.71	0.50	0.58	0.66	0.66	0.75	0.53	0.62	0.70	0.70	0.80
		PI	1.68	1.69	1.69	1.69	1.69	1.79	1.79	1.79	1.79	1.79	1.89	1.90	1.90	1.90	1.90	2.01	2.01	2.01	2.01	2.01
	68°F (20°C)	TC	32234	32277	32312	32313	32357	34176	34217	34251	34257	34298	36218	36265	36306	36312	36353	38401	38442	38484	38490	38538
		S/T	0.45	0.53	0.60	0.60	0.69	0.48	0.56	0.64	0.64	0.73	0.51	0.60	0.68	0.68	0.77	0.54	0.63	0.72	0.72	0.82
		PI	1.89	1.89	1.90	1.90	1.90	2.01	2.01	2.01	2.01	2.01	2.13	2.13	2.13	2.13	2.13	2.25	2.26	2.26	2.26	2.26
	77°F (25°C)	TC	32110	32153	32188	32189	32233	34045	34085	34119	34126	34166	36079	36126	36166	36173	36213	38253	38294	38336	38342	38390
		S/T	0.46	0.54	0.61	0.61	0.70	0.49	0.57	0.65	0.65	0.74	0.52	0.60	0.69	0.69	0.78	0.55	0.64	0.73	0.73	0.83
		PI	2.10	2.10	2.10	2.10	2.11	2.23	2.23	2.23	2.23	2.23	2.36	2.36	2.37	2.37	2.37	2.50	2.50	2.51	2.51	2.51
	82°F (27.8°C)	TC	32130	32173	32208	32209	32253	34066	34107	34140	34147	34188	36101	36148	36189	36195	36236	38277	38318	38360	38366	38414
		S/T	0.46	0.55	0.62	0.62	0.71	0.49	0.58	0.66	0.66	0.75	0.52	0.61	0.70	0.70	0.79	0.55	0.65	0.74	0.74	0.84
		PI	2.34	2.34	2.34	2.34	2.34	2.48	2.48	2.48	2.48	2.49	2.62	2.63	2.63	2.63	2.63	2.78	2.79	2.79	2.79	2.79
	86°F (30°C)	TC	32258	32302	32336	32338	32381	34202	34243	34277	34283	34324	36246	36293	36333	36340	36380	38429	38471	38513	38519	38567
		S/T	0.47	0.55	0.63	0.63	0.72	0.50	0.59	0.67	0.67	0.76	0.53	0.62	0.70	0.71	0.80	0.56	0.66	0.75	0.75	0.85
		PI	2.68	2.68	2.68	2.68	2.69	2.84	2.84	2.84	2.84	2.85	3.01	3.01	3.01	3.01	3.02	3.19	3.19	3.19	3.20	3.20
	95°F (35°C)	TC	32547	32590	32626	32627	32671	34508	34549	34583	34590	34631	36570	36617	36658	36665	36706	38773	38815	38858	38864	38912
		S/T	0.47	0.55	0.63	0.63	0.72	0.50	0.59	0.67	0.67	0.76	0.53	0.62	0.70	0.71	0.80	0.56	0.66	0.75	0.75	0.85
		PI	3.44	3.45	3.45	3.45	3.46	3.65	3.65	3.66	3.66	3.66	3.87	3.87	3.88	3.88	3.88	4.10	4.10	4.11	4.11	4.12
	104°F (40°C)	TC	29844	29884	29916	29918	29958	31642	31680	31711	31718	31755	33533	33576	33614	33620	33658	35553	35592	35631	35636	35681
		S/T	0.48	0.57	0.64	0.64	0.73	0.51	0.60	0.68	0.68	0.78	0.54	0.64	0.72	0.72	0.82	0.57	0.67	0.77	0.77	0.87
		PI	3.41	3.41	3.41	3.42	3.42	3.61	3.62	3.62	3.62	3.62	3.83	3.83	3.84	3.84	3.84	4.06	4.06	4.07	4.07	4.07
110°F (43°C)	TC	28222	28260	28291	28292	28330	29923	29959	29988	29994	30030	31711	31752	31787	31793	31829	33622	33658	33695	33700	33742	
	S/T	0.50	0.59	0.67	0.67	0.76	0.53	0.62	0.71	0.71	0.81	0.56	0.66	0.75	0.75	0.85	0.60	0.70	0.79	0.79	0.91	
	PI	3.39	3.39	3.39	3.39	3.40	3.59	3.59	3.60	3.60	3.60	3.80	3.81	3.81	3.81	3.82	4.03	4.04	4.04	4.04	4.05	
115°F (46°C)	TC	24130	24162	24188	24189	24222	25584	25614	25639	25644	25675	27112	27147	27178	27183	27213	28746	28777	28808	28813	28849	
	S/T	0.51	0.59	0.67	0.67	0.77	0.54	0.63	0.71	0.72	0.82	0.57	0.67	0.76	0.76	0.86	0.60	0.71	0.80	0.80	0.92	
	PI	3.04	3.04	3.05	3.05	3.05	3.22	3.23	3.23	3.23	3.23	3.41	3.42	3.42	3.42	3.43	3.62	3.62	3.63	3.63	3.63	
122°F (50°C)	TC	18673	18698	18718	18719	18744	19798	19821	19841	19845	19868	20981	21008	21031	21035	21059	22245	22269	22293	22297	22325	
	S/T	0.52	0.61	0.69	0.69	0.79	0.55	0.64	0.73	0.73	0.83	0.58	0.68	0.78	0.78	0.88	0.62	0.72	0.82	0.82	0.94	
	PI	2.58	2.58	2.58	2.58	2.59	2.73	2.73	2.74	2.74	2.74	2.89	2.90	2.90	2.90	2.91	3.07	3.07	3.08	3.08	3.08	

TC:Total Cooling Capacity (BTU/hr)

S/T:Sensible Cooling Capacity Ratio

PI:Power Input(kW)

36MUC-HH-SYS-B Expanded Cooling @ 1,080 CFM

CFM	OD DB (°F)	ID WB ID DB	60.8°F (16.0°C)					64.4°F (18.0°C)					67°F (19.4°C)					71.6°F (22.0°C)				
			73.4°F	77.0°F	80.0°F	80.6°F	84.2°F	73.4°F	77.0°F	80.0°F	80.6°F	84.2°F	73.4°F	77.0°F	80.0°F	80.6°F	84.2°F	73.4°F	77.0°F	80.0°F	80.6°F	84.2°F
			23.0°C	25.0°C	26.7°C	27.0°C	29.0°C	23.0°C	25.0°C	26.7°C	27.0°C	29.0°C	23.0°C	25.0°C	26.7°C	27.0°C	29.0°C	23.0°C	25.0°C	26.7°C	27.0°C	29.0°C
1080	50°F (10°C)	TC	34602	34648	34686	34687	34734	36687	36730	36767	36774	36818	38879	38929	38973	38980	39023	41221	41266	41311	41318	41369
		S/T	0.47	0.55	0.62	0.62	0.71	0.50	0.58	0.66	0.66	0.75	0.53	0.62	0.70	0.70	0.80	0.56	0.65	0.74	0.74	0.85
		PI	1.57	1.58	1.58	1.58	1.58	1.67	1.67	1.67	1.67	1.67	1.77	1.77	1.77	1.77	1.77	1.87	1.88	1.88	1.88	1.88
	59°F (15°C)	TC	34470	34516	34553	34555	34601	36547	36590	36626	36634	36677	38730	38781	38824	38831	38875	41064	41109	41153	41160	41211
		S/T	0.47	0.55	0.63	0.63	0.71	0.50	0.58	0.66	0.66	0.76	0.53	0.62	0.70	0.70	0.80	0.56	0.66	0.75	0.75	0.85
		PI	1.79	1.80	1.80	1.80	1.80	1.90	1.90	1.91	1.91	1.91	2.02	2.02	2.02	2.02	2.02	2.14	2.14	2.14	2.14	2.15
	68°F (20°C)	TC	34338	34384	34421	34422	34469	36407	36450	36486	36493	36537	38582	38632	38675	38682	38726	40907	40951	40996	41002	41053
		S/T	0.48	0.57	0.64	0.64	0.73	0.51	0.60	0.68	0.68	0.78	0.54	0.64	0.72	0.72	0.82	0.57	0.67	0.77	0.77	0.87
		PI	2.02	2.02	2.02	2.02	2.02	2.14	2.14	2.14	2.14	2.14	2.26	2.27	2.27	2.27	2.27	2.40	2.40	2.41	2.41	2.41
	77°F (25°C)	TC	34206	34252	34288	34290	34336	36267	36310	36346	36353	36396	38434	38484	38526	38534	38577	40749	40794	40838	40844	40895
		S/T	0.49	0.57	0.65	0.65	0.74	0.52	0.61	0.69	0.69	0.79	0.55	0.64	0.73	0.73	0.83	0.58	0.68	0.78	0.78	0.88
		PI	2.24	2.24	2.24	2.24	2.25	2.37	2.37	2.38	2.38	2.38	2.51	2.52	2.52	2.52	2.52	2.66	2.67	2.67	2.67	2.67
	82°F (27.8°C)	TC	34227	34273	34310	34311	34358	36290	36333	36368	36376	36419	38458	38508	38551	38558	38601	40775	40819	40864	40870	40921
		S/T	0.50	0.58	0.66	0.66	0.75	0.52	0.62	0.70	0.70	0.80	0.56	0.65	0.74	0.74	0.85	0.59	0.69	0.79	0.79	0.90
		PI	2.49	2.49	2.49	2.49	2.50	2.64	2.64	2.64	2.64	2.65	2.80	2.80	2.80	2.80	2.81	2.96	2.97	2.97	2.97	2.97
	86°F (30°C)	TC	34363	34410	34447	34448	34495	36434	36478	36514	36521	36564	38611	38661	38704	38712	38755	40938	40982	41027	41033	41084
		S/T	0.50	0.59	0.67	0.67	0.76	0.53	0.62	0.71	0.71	0.81	0.56	0.66	0.75	0.75	0.86	0.60	0.70	0.80	0.80	0.91
		PI	2.85	2.85	2.86	2.86	2.86	3.02	3.03	3.03	3.03	3.03	3.20	3.21	3.21	3.21	3.21	3.40	3.40	3.40	3.40	3.41
	95°F (35°C)	TC	34671	34717	34755	34756	34803	36760	36804	36840	36847	36891	38956	39007	39051	39058	39101	41304	41349	41394	41400	41452
		S/T	0.50	0.59	0.67	0.67	0.76	0.53	0.62	0.71	0.71	0.81	0.56	0.66	0.75	0.75	0.86	0.60	0.70	0.80	0.80	0.91
		PI	3.67	3.67	3.68	3.68	3.68	3.89	3.89	3.90	3.90	3.90	4.12	4.13	4.13	4.13	4.14	4.37	4.37	4.38	4.38	4.38
	104°F (40°C)	TC	31792	31834	31869	31870	31913	33708	33748	33781	33788	33828	35721	35768	35808	35814	35854	37874	37915	37956	37962	38009
		S/T	0.51	0.60	0.69	0.69	0.78	0.54	0.64	0.73	0.73	0.83	0.58	0.68	0.77	0.77	0.88	0.61	0.72	0.82	0.82	0.93
		PI	3.63	3.63	3.64	3.64	3.64	3.85	3.85	3.86	3.86	3.86	4.08	4.08	4.09	4.09	4.09	4.32	4.33	4.33	4.33	4.34
110°F (43°C)	TC	30064	30105	30137	30138	30179	31876	31914	31945	31952	31990	33780	33824	33862	33868	33906	35816	35855	35894	35899	35944	
	S/T	0.53	0.62	0.71	0.71	0.81	0.56	0.66	0.75	0.75	0.86	0.60	0.70	0.80	0.80	0.91	0.63	0.74	0.85	0.85	0.96	
	PI	3.61	3.61	3.62	3.62	3.62	3.82	3.83	3.83	3.83	3.84	4.05	4.06	4.06	4.06	4.07	4.30	4.30	4.31	4.31	4.31	
115°F (46°C)	TC	25704	25739	25767	25768	25803	27253	27286	27313	27318	27351	28882	28919	28951	28957	28989	30622	30655	30689	30693	30732	
	S/T	0.54	0.63	0.72	0.72	0.82	0.57	0.67	0.76	0.76	0.87	0.61	0.71	0.81	0.81	0.92	0.64	0.75	0.86	0.86	0.98	
	PI	3.24	3.24	3.24	3.24	3.25	3.43	3.44	3.44	3.44	3.44	3.64	3.64	3.65	3.65	3.65	3.86	3.86	3.86	3.87	3.87	
122°F (50°C)	TC	19891	19918	19940	19940	19967	21090	21115	21136	21140	21165	22350	22379	22404	22408	22433	23697	23722	23748	23752	23782	
	S/T	0.55	0.65	0.74	0.74	0.84	0.58	0.69	0.78	0.78	0.89	0.62	0.73	0.83	0.83	0.94	0.66	0.77	0.88	0.88	1.00	
	PI	2.74	2.75	2.75	2.75	2.75	2.91	2.91	2.92	2.92	2.92	3.08	3.09	3.09	3.09	3.09	3.27	3.27	3.28	3.28	3.28	

TC:Total Cooling Capacity (BTU/hr)

S/T:Sensible Cooling Capacity Ratio

PI:Power Input(kW)

36MUC-HH-SYS-B Expanded Cooling @ 1,185 CFM

CFM	OD DB (°F)	ID WB	60.8°F (16.0°C)					64.4°F (18.0°C)					67°F (19.4°C)					71.6°F (22.0°C)				
			ID DB																			
			73.4°F	77.0°F	80.0°F	80.6°F	84.2°F	73.4°F	77.0°F	80.0°F	80.6°F	84.2°F	73.4°F	77.0°F	80.0°F	80.6°F	84.2°F	73.4°F	77.0°F	80.0°F	80.6°F	84.2°F
23.0°C	25.0°C	26.7°C	27.0°C	29.0°C	23.0°C	25.0°C	26.7°C	27.0°C	29.0°C	23.0°C	25.0°C	26.7°C	27.0°C	29.0°C	23.0°C	25.0°C	26.7°C	27.0°C	29.0°C			
1185	50°F (10°C)	TC	36860	36910	36949	36951	37001	39081	39128	39166	39174	39221	41416	41470	41516	41524	41570	43912	43959	44007	44014	44069
		S/T	0.50	0.58	0.66	0.66	0.76	0.53	0.62	0.70	0.70	0.80	0.56	0.66	0.75	0.75	0.85	0.59	0.70	0.79	0.79	0.90
		PI	1.68	1.68	1.68	1.68	1.68	1.78	1.78	1.78	1.78	1.78	1.88	1.89	1.89	1.89	1.89	2.00	2.00	2.00	2.00	2.00
	59°F (15°C)	TC	36719	36769	36808	36810	36860	38932	38978	39017	39024	39071	41258	41312	41358	41365	41412	43744	43792	43839	43846	43901
		S/T	0.50	0.59	0.67	0.67	0.76	0.53	0.62	0.71	0.71	0.81	0.56	0.66	0.75	0.75	0.86	0.60	0.70	0.80	0.80	0.91
		PI	1.91	1.91	1.92	1.92	1.92	2.03	2.03	2.03	2.03	2.03	2.15	2.15	2.15	2.15	2.16	2.28	2.28	2.28	2.28	2.29
	68°F (20°C)	TC	36579	36628	36667	36669	36718	38783	38829	38867	38875	38921	41100	41153	41199	41207	41253	43576	43624	43671	43678	43732
		S/T	0.51	0.60	0.69	0.69	0.78	0.54	0.64	0.73	0.73	0.83	0.58	0.68	0.77	0.77	0.88	0.61	0.72	0.82	0.82	0.93
		PI	2.15	2.15	2.15	2.15	2.16	2.28	2.28	2.28	2.28	2.28	2.41	2.42	2.42	2.42	2.42	2.56	2.56	2.56	2.56	2.57
	77°F (25°C)	TC	36438	36487	36526	36528	36577	38634	38680	38718	38725	38771	40942	40995	41041	41048	41094	43409	43456	43503	43510	43564
		S/T	0.52	0.61	0.69	0.69	0.79	0.55	0.65	0.74	0.74	0.84	0.59	0.69	0.78	0.78	0.89	0.62	0.73	0.83	0.83	0.94
		PI	2.38	2.39	2.39	2.39	2.39	2.53	2.53	2.53	2.53	2.54	2.68	2.68	2.68	2.68	2.69	2.84	2.84	2.84	2.85	2.85
	82°F (27.8°C)	TC	36461	36510	36549	36551	36600	38658	38704	38742	38750	38796	40968	41021	41066	41074	41120	43436	43483	43530	43537	43591
		S/T	0.53	0.62	0.70	0.70	0.80	0.56	0.66	0.75	0.75	0.85	0.59	0.70	0.79	0.79	0.90	0.63	0.74	0.84	0.84	0.95
		PI	2.65	2.65	2.66	2.66	2.66	2.81	2.81	2.82	2.82	2.82	2.98	2.98	2.99	2.99	2.99	3.16	3.16	3.16	3.16	3.17
	86°F (30°C)	TC	36606	36655	36695	36697	36746	38812	38858	38897	38904	38950	41131	41184	41230	41238	41284	43609	43657	43704	43711	43765
		S/T	0.53	0.63	0.71	0.71	0.81	0.57	0.66	0.75	0.75	0.86	0.60	0.70	0.80	0.80	0.91	0.64	0.75	0.85	0.85	0.97
		PI	3.04	3.04	3.04	3.04	3.05	3.22	3.22	3.23	3.23	3.23	3.41	3.42	3.42	3.42	3.42	3.62	3.62	3.63	3.63	3.63
	95°F (35°C)	TC	36934	36983	37023	37025	37075	39159	39206	39244	39252	39299	41499	41553	41599	41607	41653	43999	44047	44095	44102	44157
		S/T	0.53	0.63	0.71	0.71	0.81	0.57	0.66	0.75	0.75	0.86	0.60	0.70	0.80	0.80	0.91	0.64	0.75	0.85	0.85	0.97
		PI	3.91	3.91	3.92	3.92	3.92	4.14	4.15	4.15	4.15	4.16	4.39	4.39	4.40	4.40	4.41	4.65	4.66	4.66	4.66	4.67
	104°F (40°C)	TC	33867	33912	33949	33950	33996	35908	35950	35986	35993	36035	38053	38102	38145	38152	38194	40346	40389	40433	40440	40490
		S/T	0.55	0.64	0.73	0.73	0.83	0.58	0.68	0.77	0.77	0.88	0.62	0.72	0.82	0.82	0.93	0.65	0.76	0.87	0.87	0.99
		PI	3.87	3.87	3.88	3.88	3.88	4.10	4.10	4.11	4.11	4.11	4.34	4.35	4.35	4.35	4.36	4.61	4.61	4.62	4.62	4.62
110°F (43°C)	TC	32026	32069	32104	32105	32149	33956	33997	34030	34037	34077	35985	36032	36072	36079	36119	38153	38195	38236	38242	38290	
	S/T	0.57	0.67	0.76	0.76	0.86	0.60	0.71	0.80	0.80	0.91	0.64	0.75	0.85	0.85	0.97	0.68	0.79	0.90	0.90	1.00	
	PI	3.84	3.85	3.85	3.85	3.86	4.07	4.08	4.08	4.08	4.09	4.32	4.32	4.33	4.33	4.33	4.58	4.58	4.59	4.59	4.59	
115°F (46°C)	TC	27382	27419	27448	27450	27487	29032	29067	29095	29101	29136	30767	30807	30841	30847	30881	32620	32656	32691	32697	32737	
	S/T	0.57	0.67	0.77	0.77	0.87	0.61	0.71	0.81	0.81	0.92	0.65	0.76	0.86	0.86	0.98	0.68	0.80	0.91	0.91	1.00	
	PI	3.45	3.45	3.46	3.46	3.46	3.66	3.66	3.66	3.66	3.67	3.87	3.88	3.88	3.88	3.89	4.11	4.11	4.12	4.12	4.12	
122°F (50°C)	TC	21190	21218	21241	21242	21270	22467	22493	22515	22520	22547	23809	23840	23866	23871	23897	25243	25271	25298	25302	25334	
	S/T	0.59	0.69	0.78	0.78	0.89	0.62	0.73	0.83	0.83	0.95	0.66	0.77	0.88	0.88	1.00	0.70	0.82	0.93	0.93	1.00	
	PI	2.92	2.93	2.93	2.93	2.93	3.10	3.10	3.11	3.11	3.11	3.28	3.29	3.29	3.29	3.30	3.48	3.49	3.49	3.49	3.50	

TC:Total Cooling Capacity (BTU/hr)

S/T:Sensible Cooling Capacity Ratio

PI:Power Input(kW)

36MUC-HH-SYS-B Expanded Heating @ 865 CFM

CFM	HEATING PERFORMANCE AT INDOOR DRY BULB TEMPERATURE										
	OD DB (°F)	TC : Total Heating Capacity(BTU/hr)					PI : Power Input(kW)				
		Indoor Conditions (DB °F)					Indoor Conditions (DB °F)				
		60.8°F	68°F	70°F	71.6°F	75.2°F	60.8°F	68°F	70°F	71.6°F	75.2°F
865	-22°F	19279	18894	18799	18911	18741	4.33	4.36	4.37	4.38	4.40
	-13°F	24522	24031	23911	23128	22920	4.77	4.81	4.82	4.83	4.85
	-4°F	26211	25687	25559	24722	24500	4.70	4.74	4.75	4.76	4.78
	0°F	27903	27345	27208	26317	26080	5.07	5.11	5.12	5.13	5.15
	5°F	30017	29417	29270	28311	28057	5.52	5.56	5.57	5.59	5.61
	14°F	33166	32503	32340	31281	31000	5.27	5.31	5.32	5.33	5.35
	17°F	34216	33531	33364	32271	31981	5.19	5.23	5.24	5.25	5.27
	22°F	33659	32986	32821	31746	31460	4.92	4.96	4.97	4.98	5.00
	27°F	33102	32440	32278	31221	30940	4.66	4.70	4.71	4.72	4.73
	32°F	32545	31894	31735	30696	30420	4.40	4.43	4.44	4.45	4.47
	35°F	32211	31567	31409	30381	30107	4.24	4.27	4.28	4.29	4.31
	37°F	33727	33052	32887	31810	31524	4.24	4.27	4.28	4.29	4.31
	42°F	37517	36766	36582	35385	35066	4.24	4.28	4.29	4.30	4.31
	44.6°F	39032	38252	38060	36814	36483	4.25	4.28	4.29	4.30	4.31
	47°F	41306	40480	40278	38959	38608	4.25	4.28	4.29	4.30	4.32
	52°F	39249	38464	38272	37019	36686	3.80	3.83	3.83	3.84	3.86
	57°F	37193	36449	36267	35079	34764	3.34	3.37	3.38	3.38	3.40
59°F	36370	35643	35464	34303	33995	3.16	3.19	3.19	3.20	3.21	
62°F	35136	34433	34261	33140	32841	2.89	2.91	2.92	2.92	2.94	
64.4°F	34313	33627	33459	32364	32072	2.71	2.73	2.73	2.74	2.75	

36MUC-HH-SYS-B Expanded Heating @ 970 CFM

CFM	HEATING PERFORMANCE AT INDOOR DRY BULB TEMPERATURE										
	OD DB (°F)	TC : Total Heating Capacity(BTU/hr)					PI : Power Input(kW)				
		Indoor Conditions (DB °F)					Indoor Conditions (DB °F)				
		60.8°F	68°F	70°F	71.6°F	75.2°F	60.8°F	68°F	70°F	71.6°F	75.2°F
970	-22°F	20944	20526	20423	20443	20259	4.37	4.41	4.42	4.43	4.44
	-13°F	26122	25600	25472	25001	24776	4.82	4.86	4.87	4.88	4.90
	-4°F	27922	27364	27227	26724	26483	4.75	4.79	4.80	4.81	4.83
	0°F	29724	29129	28984	28448	28192	5.12	5.16	5.17	5.18	5.20
	5°F	31976	31336	31180	30604	30328	5.57	5.62	5.63	5.64	5.67
	14°F	35330	34624	34451	33814	33510	5.32	5.37	5.38	5.39	5.41
	17°F	36449	35720	35541	34884	34571	5.24	5.28	5.29	5.30	5.32
	22°F	35855	35138	34963	34317	34008	4.97	5.01	5.02	5.03	5.05
	27°F	35262	34557	34384	33749	33445	4.71	4.74	4.75	4.76	4.78
	32°F	34669	33976	33806	33181	32883	4.44	4.48	4.48	4.49	4.51
	35°F	34313	33627	33459	32841	32545	4.28	4.31	4.32	4.33	4.35
	37°F	35928	35210	35033	34386	34077	4.28	4.32	4.33	4.33	4.35
	42°F	39965	39166	38970	38250	37906	4.29	4.32	4.33	4.34	4.36
	44.6°F	41580	40748	40544	39795	39437	4.29	4.32	4.33	4.34	4.36
	47°F	44002	43122	42906	42114	41735	4.29	4.33	4.34	4.34	4.36
	52°F	41811	40975	40770	40017	39657	3.83	3.86	3.87	3.88	3.90
	57°F	39620	38828	38634	37920	37579	3.38	3.40	3.41	3.42	3.43
	59°F	38744	37969	37779	37081	36747	3.19	3.22	3.22	3.23	3.24
62°F	37429	36681	36497	35823	35501	2.92	2.94	2.95	2.95	2.96	
64.4°F	36553	35822	35643	34984	34669	2.73	2.76	2.76	2.77	2.78	

36MUC-HH-SYS-B Expanded Heating @ 1,080 CFM

CFM	HEATING PERFORMANCE AT INDOOR DRY BULB TEMPERATURE										
	OD DB (°F)	TC : Total Heating Capacity(BTU/hr)					PI : Power Input(kW)				
		Indoor Conditions (DB °F)					Indoor Conditions (DB °F)				
		60.8°F	68°F	70°F	71.6°F	75.2°F	60.8°F	68°F	70°F	71.6°F	75.2°F
1080	-22°F	22753	22298	22187	22098	21899	4.42	4.45	4.46	4.47	4.49
	-13°F	27827	27270	27134	27025	26782	4.87	4.91	4.92	4.93	4.95
	-4°F	29744	29150	29004	28888	28628	4.80	4.84	4.85	4.86	4.87
	0°F	31664	31030	30875	30752	30475	5.17	5.21	5.22	5.23	5.25
	5°F	34063	33382	33215	33082	32784	5.63	5.68	5.69	5.70	5.72
	14°F	37636	36884	36699	36552	36223	5.38	5.42	5.43	5.44	5.46
	17°F	38827	38051	37861	37709	37370	5.29	5.33	5.34	5.36	5.38
	22°F	38196	37432	37244	37095	36762	5.02	5.06	5.07	5.08	5.10
	27°F	37564	36812	36628	36482	36154	4.75	4.79	4.80	4.81	4.83
	32°F	36932	36193	36012	35868	35545	4.48	4.52	4.53	4.54	4.56
	35°F	36553	35822	35643	35500	35180	4.32	4.36	4.37	4.38	4.39
	37°F	38273	37507	37320	37171	36836	4.33	4.36	4.37	4.38	4.40
	42°F	42573	41722	41513	41347	40975	4.33	4.37	4.37	4.38	4.40
	44.6°F	44293	43408	43191	43018	42631	4.33	4.37	4.38	4.38	4.40
	47°F	46874	45936	45707	45524	45114	4.34	4.37	4.38	4.39	4.41
	52°F	44540	43649	43431	43257	42868	3.87	3.90	3.91	3.92	3.94
	57°F	42206	41362	41155	40990	40621	3.41	3.44	3.44	3.45	3.47
	59°F	41272	40447	40245	40084	39723	3.22	3.25	3.26	3.26	3.28
62°F	39872	39075	38879	38724	38375	2.95	2.97	2.98	2.98	2.99	
64.4°F	38938	38160	37969	37817	37477	2.76	2.78	2.79	2.80	2.81	

36MUC-HH-SYS-B Expanded Heating @ 1,185 CFM

CFM	HEATING PERFORMANCE AT INDOOR DRY BULB TEMPERATURE										
	OD DB (°F)	TC : Total Heating Capacity(BTU/hr)					PI : Power Input(kW)				
		Indoor Conditions (DB °F)					Indoor Conditions (DB °F)				
		60.8°F	68°F	70°F	71.6°F	75.2°F	60.8°F	68°F	70°F	71.6°F	75.2°F
1185	-22°F	24238	23753	23635	23540	23328	4.46	4.50	4.51	4.52	4.53
	-13°F	29643	29050	28905	28789	28530	4.92	4.96	4.97	4.98	5.00
	-4°F	31686	31052	30897	30773	30496	4.85	4.88	4.89	4.90	4.92
	0°F	33730	33056	32890	32759	32464	5.22	5.26	5.27	5.28	5.30
	5°F	36286	35560	35382	35241	34924	5.69	5.73	5.75	5.76	5.78
	14°F	40093	39291	39094	38938	38587	5.43	5.47	5.49	5.50	5.52
	17°F	41361	40534	40332	40170	39809	5.34	5.39	5.40	5.41	5.43
	22°F	40688	39875	39675	39517	39161	5.07	5.11	5.12	5.13	5.16
	27°F	40015	39215	39019	38863	38513	4.80	4.84	4.85	4.86	4.88
	32°F	39342	38555	38363	38209	37865	4.53	4.57	4.58	4.58	4.60
	35°F	38938	38160	37969	37817	37477	4.37	4.40	4.41	4.42	4.44
	37°F	40771	39955	39756	39597	39240	4.37	4.40	4.41	4.42	4.44
	42°F	45352	44445	44223	44046	43649	4.37	4.41	4.42	4.43	4.44
	44.6°F	47184	46241	46009	45825	45413	4.38	4.41	4.42	4.43	4.45
	47°F	49933	48934	48690	48495	48058	4.38	4.41	4.42	4.43	4.45
	52°F	47447	46498	46265	46080	45665	3.91	3.94	3.95	3.96	3.98
	57°F	44960	44061	43841	43666	43273	3.44	3.47	3.48	3.49	3.50
	59°F	43966	43087	42871	42700	42315	3.26	3.28	3.29	3.30	3.31
62°F	42474	41625	41417	41251	40880	2.98	3.00	3.01	3.01	3.03	
64.4°F	41480	40650	40447	40285	39923	2.79	2.81	2.82	2.82	2.84	

TC:Total Cooling Capacity (BTU/hr)

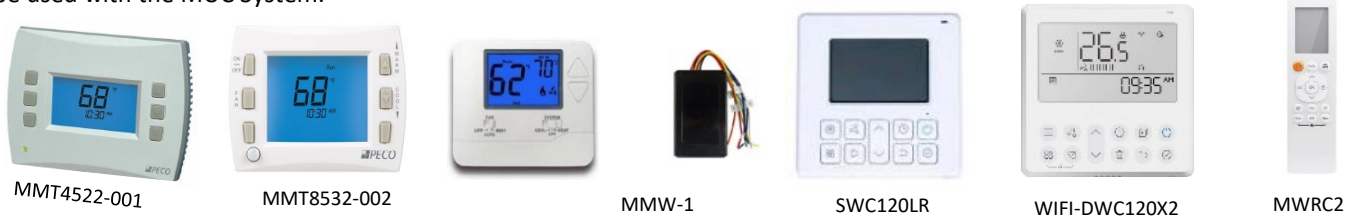
S/T:Sensible Cooling Capacity Ratio

PI:Power Input(kW)

Control Options

Part Number	Description
MMT4522-001	24V 2H/1C Programmable Thermostat with Occupancy Sensor Input and Standard Display.
MMT8532-002	24V 2H/1C Programmable Thermostat with Occupancy Sensor Input and Deluxe Display.
MMT8532OCC-1	24V 2H/1C Programmable Thermostat with Built-In Occupancy Sensor and Deluxe Display.
MMW-1	24V 2H/1C Non-Programmable Wireless Thermostat.
SWC120LR	Standard wired wall controller with operation mode control, timer and fan speed functions.
WIFI-DWC120X2	Deluxe wired wall controller with WFI and app, with programmable weekly timer, auto-restart, child lock, Turbo function, follow me function and more. The WIFI-DWC120X2 also functions as a receiver for the MWRC remote controller.
MWRC2	Wireless infrared remote controller with timer, sleep function, follow me and turbo function. Internal functions, such as setting airflow, can be made with this remote controller, as well.

The MUC System includes a factory installed 24V control board, in the outdoor heat pump, and can be used with most standard 24V thermostats. Either a 24V heat pump thermostat, wired wall controller or wireless remote controller can be used with the MUC System.

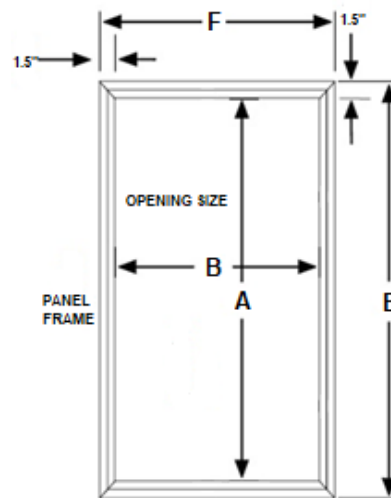


Panels and Bracket

Panel Model Number	Air Handler Model	Style	Inside Frame		Outside Frame	
			A	B	E	F
963-LA	18MUC0 / 24MUC0	Louvered	37	21	40	24
963-S	18MUC0 / 24MUC0	Solid	37	21	40	24
964-LA	30MUC0 / 36MUC0	Louvered	40	22.5	43	25.5
964-S	30MUC0 / 36MUC0	Solid	40	22.5	43	25.5
MUC-CAP1	18MUC0 / 24MUC0	Solid	Front Return Air Cover			
MUC-CAP2	30MUC0 / 36MUC0	Solid	Front Return Air Cover			
MUC-BRACKET	All MUC Units	Hanging Bracket for Wall Mount Applications				



963-LA (louvered)



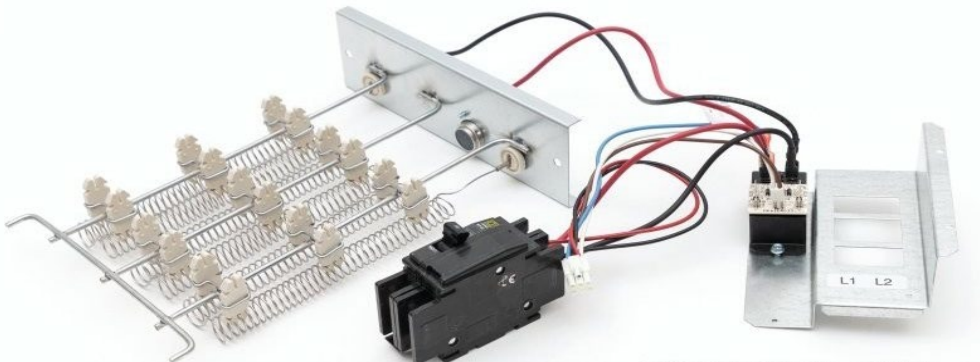
Field Install Auxiliary Electric Heaters

Part Number	Air Handler Model	Heater Size kW
EAH-03C(UL)	18MUC	3
EAH-05C(UL)		5
EAH-08C(UL)		8
EAH-10C(UL)		10
EAH-03C(UL)	24MUC	3
EAH-05C(UL)		5
EAH-08C(UL)		8
EAH-10C(UL)		10
EAH-03C(UL)	30MUC	3
EAH-05C(UL)		5
EAH-08C(UL)		8
EAH-10C(UL)		10
EAH-03C(UL)	36MUC	3
EAH-05C(UL)		5
EAH-08C(UL)		8
EAH-10C(UL)		10

Auxiliary Electric Heater Kits are designed to be field installed in MUC series air handlers.

Part Number	Qty Circuit Breakers	Qty Relays	Qty Power Cord Groups	Qty Power Cord Grounding Screws
EAH-03C(UL)	1	1	2	2
EAH-05C(UL)	1	1	2	2
EAH-08C(UL)	1	2	2	2
EAH-10C(UL)	1	2	2	2

Electric Heater Kits include Manual, 1 ea. Sealing Foam, 7 ea. Screws, 1 ea. Rubber Cap, Wiring Diagram and Air Switch Label.







**33380 Zeiders Road, Suite 101
Menifee, CA 92584**

**Phone 888-741-9775
Fax 760-480-8904**

www.multimfg-usa.com