

Single Package Vertical Heat Pump

R454b Refrigerant with Variable Capacity



High Efficient Single Package Vertical Unit, with Inverter Technology

3/4 Ton - 3 Ton, with Efficiencies up to 16.00 SEER2 and 11.0 EER2

R454b



The SPV-HP is a highly efficient Single Package Vertical unit that is designed as a better alternative for New Construction and Retrofit projects. With a compact design, the SPV can be installed in smaller areas, freeing up valuable floor space.



Typical installations for the SPV include:

- High Rise Apartments
- High Rise Condominiums
- Hotels
- Motels
- Independent Care Facilities
- Pre Manufactured Homes
- Modular Buildings
- Student Housing



Features

Highly Efficient / High Performance

- High Efficient Inverter Compressor, with Efficiencies up to 11.0 EER2
- High Performance EC Blower Motor, with Available ESP up to 0.50" WC
- DC Condenser Motor, with Low Amp Draw

Variable Capacity Performance

- Variable Capacity Design, allowing engineers to effectively design for heat loss.

Heating at Low Ambient Conditions

- Heat Pump Operation to 15° F
- Heat Strip Options Available for Colder Climates
- COP up to 3.7 @ 47° F

Easily Installed and Serviced

- Unit Slides into a Wall Sleeve that is installed on Rough-In
- Unit can be removed easily for service, by sliding it out of the Wall Sleeve
- Service Compartment is Accessible from the Inside-Front of the Unit

Fresh Air

- Fan-Assisted Fresh Air Package with damper is available.

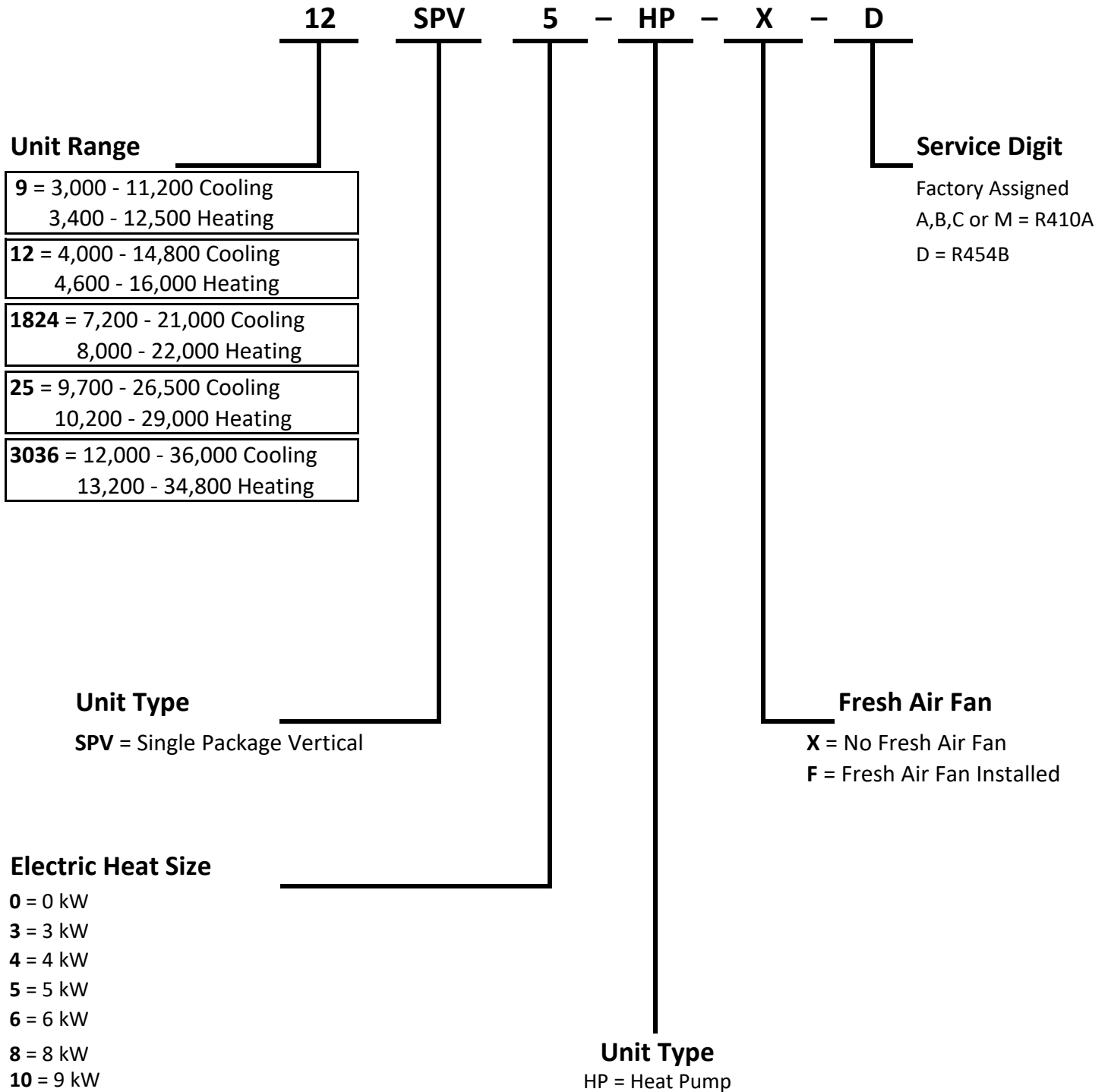
Standard Innovative Design

- Refrigerant Service Ports
- Low Pressure Safety
- Corrosion Resistant Evaporator and Condenser Coils
- Foil-Face Insulation Lining in cabinet
- Gasketed Doors and Panels, to Comply with 2% Low Leak Requirements
- Compressor Blanket and Sound Attenuating Insulation in Compressor Compartment
- Environmentally Friendly R454b Refrigerant



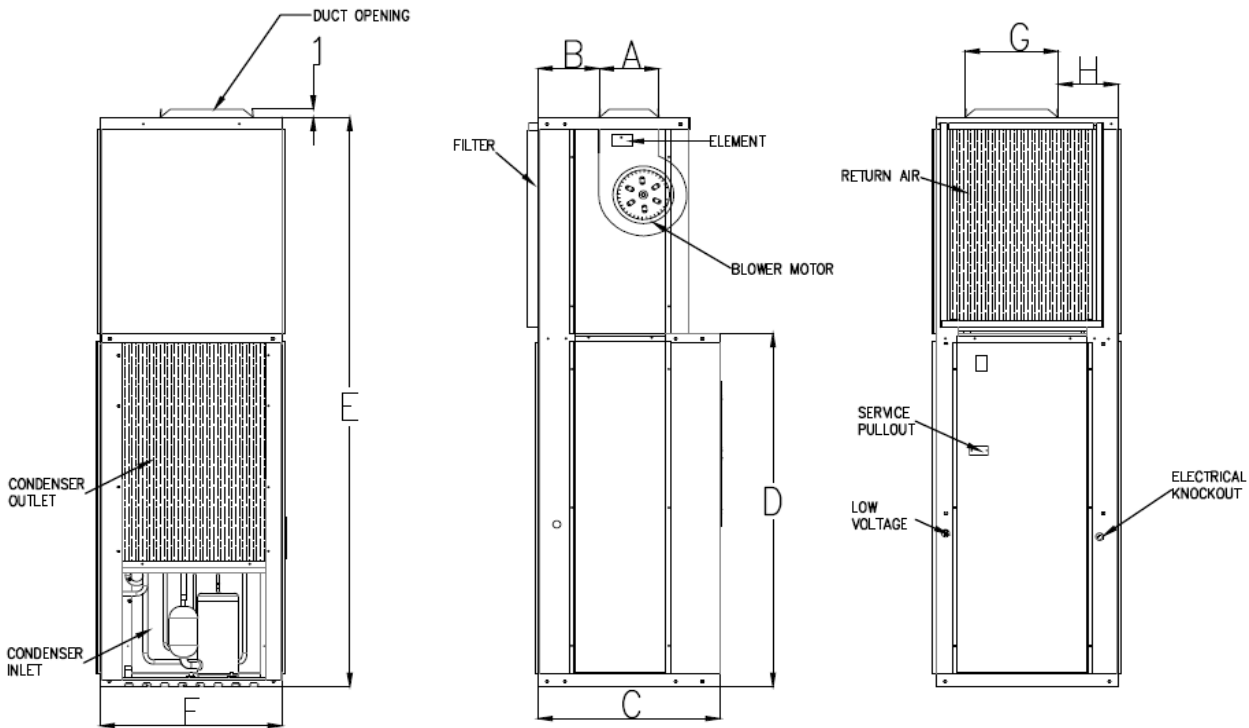
Nomenclature

Inverter Single Package Vertical Heat Pump Units



SPV-HP

3/4 ton - 2 ton Heat Pump

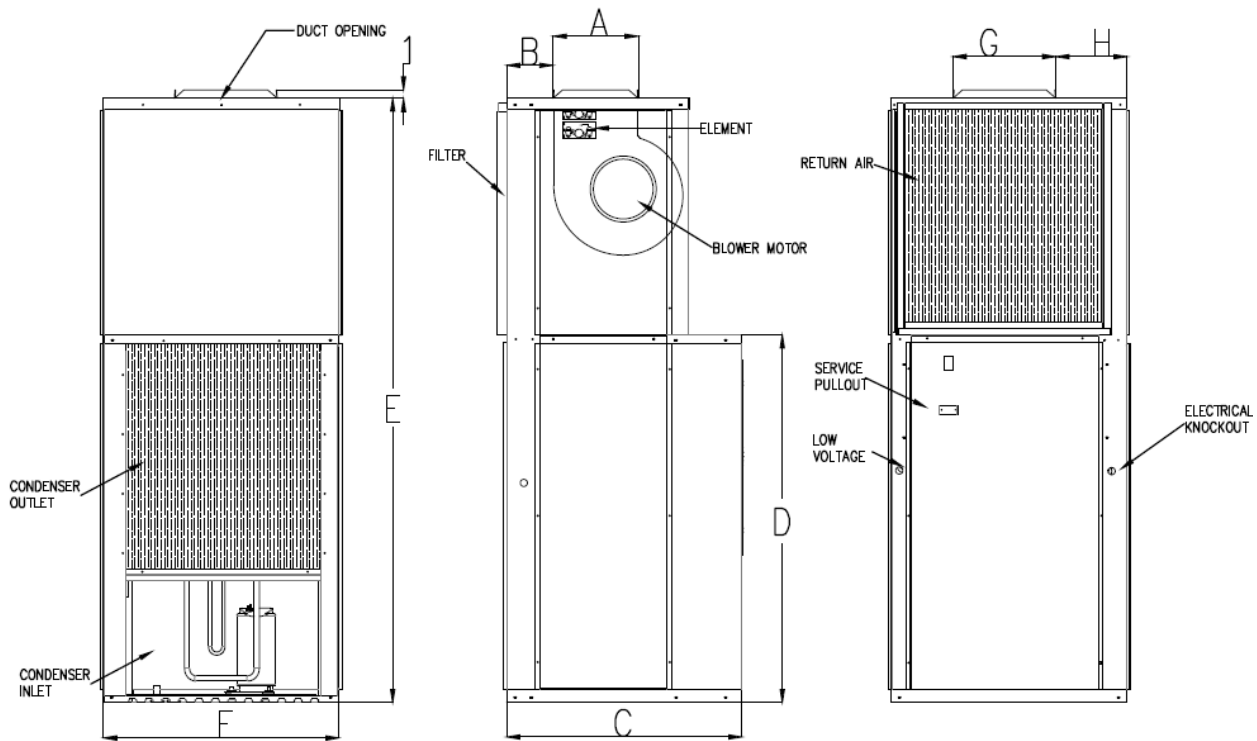


Unit	A	B	C	D	E	F	G	H	Filter	Unit Wt.
9SPV, 12SPV	6.50	6.75	20.0	41.4	66.5	20.0	10.3	6.63	18 x 24 x 1	170
1824SPV	6.50	5.13	20.0	41.4	66.5	20.0	10.3	6.63	18 x 24 x 1	174

Model	Heat Strip Size	Electric Heat Data						Blower Data		Condenser Data			Minimum Circuit Ampacity		Maximum Circuit Protection	
		kW		BTUH		Total Heating Amps		Evaporator Motor		Inverter Compressor	Condenser Motor		208V	240V	208V	240V
		240V	208V	240V	208V	240V	208V	Amps	HP	RLA	FLA	HP				
9SPV*-HP	0	0	0				1.28	1/5	6.21	1.00	1/10	13	13	15	15	
	3	3	2.3	10200	7700	14.4						12.9	20	20	20	20
	4	4	3	13600	10200	18.9						16.4	25	25	25	25
	5	5	3.8	17000	12800	22.4						19.4	30	30	30	30
12SPV*-HP	0	0	0				1.43	1/5	6.21	1.00	1/10	10	10	10	10	
	3	3	2.3	10200	7700	14.5						13.0	20	20	20	20
	4	4	3	13600	10200	19						16.5	25	25	25	25
	5	5	3.8	17000	12800	22.5						19.5	30	30	30	30
1824SPV*-HP	0	0	0				1.60	1/4	11.13	1.13	1/6	15	15	15	15	
	3	3	2.3	10200	7700	14.7						13.2	20	20	20	20
	4	4	3	13600	10200	19.2						16.7	25	25	25	25
	5	5	3.8	17000	12800	22.7						19.7	30	30	30	30
	6	6	4.5	20400	15300	26.7						23.3	35	35	35	35
	8	8	6	27300	20500	34.7						30.2	45	45	45	45
	10	9	6.8	30690	23000	39.2						34.1	50	50	50	50

SPV-HP

2+ ton - 3 ton Heat Pump



Unit	A	B	C	D	E	F	G	H	Filter	Unit Wt
25SPV	8.7	6.9	28.0	43.9	72.0	28.0	9.0	10.4	26 x 28 x 1	233
3036SPV	10.5	5.7	28.0	43.9	72.0	28.0	9.5	8.5	26 x 28 x 1	282

Model	Heat Strip Size	Electric Heat Data						Blower Data		Condenser Data			Minimum Circuit Ampacity		Maximum Circuit Protection		
		kW		BTUH		Total Heating Amps		Evaporator Motor		Compressor	Condenser Motor		208V	240V	208V	240V	
		240V	208V	240V	208V	240V	208V	Amps	HP	RLA	FLA	HP					
25SPV*-HP	0	0	0											20	20	30	30
	3	3	2.3	10200	7700	14.4	12.7	1.7	1/2	12.6	1.8	1/6	20	20	30	30	
	4	4	3.0	13600	10200	18.5	16.2						25	25	30	30	
	5	5	3.8	17000	12800	22.9	19.9						30	30	30	30	
	6	6	4.5	20400	15300	26.9	23.5						35	35	35	35	
	8	8	6.0	27300	20500	34.9	30.4						45	45	45	45	
	10	9	6.8	30690	23000	39.4	34.3						55	55	55	55	
3036SPV*-HP	0	0	0										1.9	3/4	15.3	3.1	1/2
	3	3	2.3	10200	7700	15.8	14.3	25	25	35	35						
	4	4	3.0	13600	10200	20.3	17.8	25	25	35	35						
	5	5	3.8	17000	12800	23.8	20.8	30	30	35	35						
	6	6	4.5	20400	15300	27.8	24.4	35	35	35	35						
	8	8	6.0	27300	20500	36.1	31.6	45	45	45	45						
	10	9	6.8	30690	23000	40.3	35.3	55	55	55	55						

SPV-HP

Blower and Performance Data

		Blower Data										
Model Number	Speed	CFM @ Inches of WC External Static Pressure										
		0.00	0.05	0.10	0.15	0.20	0.25	0.30	0.35	0.40	0.45	0.50
9SPV*-HP-D R454b Model	High	435	422	410	400	390	380	370	360	350	340	323
	Power (W)	90	90	89	89	90	89	87	86	88	87	89
	Medium	400	385	370	360	345	332	320	310	300	288	274
	Power (W)	76	77	76	76	77	76	74	74	75	74	76
	Low	355	345	330	315	305	288	275	265	255	242	230
Power (W)	59	58	59	59	59	59	57	57	58	57	59	
12SPV*-HP-D R454b Model	High	511	500	484	476	465	450	450	445	440	433	425
	Power (W)	118	118	117	117	118	117	115	114	116	115	117
	Medium	450	430	420	410	400	390	385	375	370	360	350
	Power (W)	95	95	94	94	95	94	92	91	93	92	94
	Low	392	380	371	360	350	340	329	320	310	298	283
Power (W)	79	79	78	78	79	78	76	75	77	76	78	
1824SPV*-HP-D R454b Model	High	695	685	675	665	660	650	640	630	620	605	590
	Power (W)	175	175	174	174	175	174	170	169	172	170	174
	Medium	650	645	635	630	615	605	590	580	570	550	520
	Power (W)	154	152	152	153	154	153	149	148	151	149	153
	Low	565	560	550	545	530	520	505	490	480	455	423
Power (W)	125	126	125	125	126	125	123	122	124	123	125	
25SPV*-HP-D R454b Model	High	920	915	905	895	880	870	860	850	840	820	795
	Power (W)	214	213	212	212	214	212	208	206	210	208	212
	Medium	840	835	830	820	805	795	780	770	760	740	710
	Power (W)	196	196	194	194	196	194	190	188	192	190	194
	Low	730	725	720	710	695	685	675	660	650	535	510
Power (W)	158	159	158	158	159	158	154	153	156	154	158	
3036SPV*-HP-D R454b Model	High	1075	1070	1065	1055	1045	1035	1020	1010	1000	970	935
	Power (W)	263	261	263	261	263	261	257	259	258	255	254
	Medium	930	925	920	910	895	885	875	860	850	820	780
	Power (W)	195	193	194	194	196	193	190	190	192	190	194
	Low	785	780	770	755	745	735	720	710	700	680	650
Power (W)	169	167	169	168	167	168	166	165	166	166	168	

Cooling Performance Data					
Model Number	Standard	Cooling Range	SEER2	EER2	Sensible Heat Ratio
9SPV*-HP-D	9,000	3,000-11,200	16.00	11.0	0.82
12SPV*-HP-D	12,000	4,000-14,800	17.10	10.5	0.81
1824SPV*-HP-D	16,800	7,200-21,000	15.50	9.8	0.80
25SPV*-HP-D	25,000	9,700-26,500	15.50	9.9	0.81
3036SPV*-HP-D	30,000	12,000-36,000	16.00	9.5	0.78
95°F ODDB / 75°F ODWB 80°F IDDB / 67°F IDWB					
Tested in accordance with AHRI Standard 210/240-2023					

Model Number	Standard	Heating	HSPF2	COP	Cold Climate Energy Star
9SPV*-HP-D	9,000	3,400-12,500	8.2	3.4	No
12SPV*-HP-D	12,000	4,600-16,000	8.6	3.7	Yes
1824SPV*-HP-D	16,800	8,000-22,000	9.1	3.6	Yes
25SPV*-HP-D	25,000	10,200-29,000	8.6	3.4	Yes
3036SPV*-HP-D	30,000	13,200-34,800	8.6	3.4	Yes
47°F ODDB / 43°F ODWB 70°F IDDB / 60°F IDWB					
Tested in accordance with AHRI Standard 210/240-2023					



SPV-HP

Expanded Cooling Ratings

Cooling Performance Data (Sizes 9 - 3036)

Model	Cooling			Outdoor Conditions (DB)					
	Indoor Conditions			77°F	86°F	95°F	104°F	113°F	122°F
	DB	WB		(25°C)	(30°C)	(35°C)	(40°C)	(45°C)	(50°C)
9SPV-D	69.8°F (21°C)	59°F (15°C)	TC	6.56	7.65	7.29	6.85	6.17	5.43
			Input	0.63	0.81	0.79	0.80	0.78	0.76
	75.2°F (24°C)	62.6°F (17°C)	TC	7.65	8.51	8.10	7.61	6.85	6.03
			Input	0.66	0.83	0.80	0.82	0.80	0.78
	80.6°F (27°C)	66.2°F (19°C)	TC	9.18	9.45	9.00	9.18	8.26	6.61
			Input	0.66	0.78	0.82	1.40	1.23	0.92
	89.6°F (32°C)	73.4°F (23°C)	TC	10.89	10.40	9.90	9.31	8.38	7.37
			Input	0.67	0.78	0.84	0.85	0.88	0.91
12SPV-D	69.8°F (21°C)	59°F (15°C)	TC	8.75	10.21	9.72	9.14	8.22	7.24
			Input	0.88	1.12	1.09	1.12	1.08	1.06
	75.2°F (24°C)	62.6°F (17°C)	TC	9.72	11.34	10.80	10.15	9.14	8.04
			Input	0.89	1.15	1.12	1.14	1.11	1.08
	80.6°F (27°C)	66.2°F (19°C)	TC	10.80	12.96	12.00	14.36	9.62	8.37
			Input	0.91	1.17	1.14	2.12	1.23	1.21
	89.6°F (32°C)	73.4°F (23°C)	TC	11.88	13.86	13.20	12.41	11.17	9.83
			Input	0.93	1.19	1.16	1.19	1.15	1.13
1824SPV-D	69.8°F (21°C)	59°F (15°C)	TC	13.12	15.31	14.58	13.71	12.33	10.85
			Input	1.41	1.81	1.77	1.80	1.75	1.71
	75.2°F (24°C)	62.6°F (17°C)	TC	14.58	17.01	16.20	15.23	13.71	12.06
			Input	1.44	1.85	1.80	1.84	1.78	1.75
	80.6°F (27°C)	66.2°F (19°C)	TC	19.25	20.12	18.00	18.36	16.52	13.22
			Input	1.66	1.97	1.84	2.39	2.03	1.32
	89.6°F (32°C)	73.4°F (23°C)	TC	21.19	20.79	19.80	18.61	16.75	14.74
			Input	1.78	1.93	1.88	1.91	1.86	1.82
25SPV-D	69.8°F (21°C)	59°F (15°C)	TC	17.50	20.41	19.44	18.27	16.45	14.47
			Input	1.81	2.32	2.26	2.30	2.23	2.19
	75.2°F (24°C)	62.6°F (17°C)	TC	19.44	22.68	21.60	20.30	18.27	16.08
			Input	1.84	2.37	2.30	2.35	2.28	2.23
	80.6°F (27°C)	66.2°F (19°C)	TC	25.92	25.20	24.00	24.48	22.03	17.63
			Input	2.12	2.41	2.35	3.06	2.60	1.69
	89.6°F (32°C)	73.4°F (23°C)	TC	27.72	27.19	26.40	24.82	22.33	19.65
			Input	2.04	2.46	2.40	2.44	2.37	2.32
3036SPV-D	69.8°F (21°C)	59°F (15°C)	TC	21.87	25.52	24.30	22.84	20.56	18.09
			Input	2.40	3.08	3.00	3.06	2.96	2.91
	75.2°F (24°C)	62.6°F (17°C)	TC	24.30	28.35	27.00	25.38	22.84	20.10
			Input	2.45	3.14	3.06	3.12	3.03	2.96
	80.6°F (27°C)	66.2°F (19°C)	TC	32.40	31.50	30.00	29.40	25.87	19.40
			Input	2.81	3.20	3.12	3.90	3.51	2.46
	89.6°F (32°C)	73.4°F (23°C)	TC	34.65	33.99	33.00	31.02	27.92	24.57
			Input	2.71	3.27	3.18	3.25	3.15	3.09

Legend: DB - Dry Bulb, WB - Wet Bulb, TC - Total Net°Cooling°Capacity, Input - Total Power (kW)

SPV-HP

Expanded Heating Ratings

Heating Performance Data (Sizes 9 - 1824)

Model	Heating		Outdoor Conditions (DB)									
	Indoor Conditions DB		53.6°F (12°C)	44.6°F (7°C)	39.2°F (4°C)	32°F (0°C)	24.8°F (-4°C)	19.4°F (-7°C)	17°F (-8°C)	5°F (-15°C)	0°F (-17°C)	-4°F (-20°C)
9SPV-D	59°F(15°C)	TH	12.27	9.36	8.99	8.63	7.85	7.15	6.50	7.15	6.51	5.92
		Input	0.91	0.75	0.81	0.82	0.81	0.80	0.79	0.80	0.88	0.97
		°COP	3.93	3.66	3.26	3.10	2.85	2.62	2.40	2.62	2.17	1.79
	64.4°F(18°C)	TH	11.93	9.18	8.90	8.55	7.69	7.00	6.37	7.01	6.38	5.80
		Input	0.94	0.76	0.83	0.83	0.83	0.82	0.81	0.82	0.90	0.97
		°COP	3.72	3.52	3.16	3.00	2.73	2.51	2.31	2.51	2.08	1.75
	69°F(20.5°C)	TH	11.70	9.00	8.82	8.11	7.71	7.32	7.18	7.03	6.75	6.35
		Input	0.98	0.78	0.84	0.83	0.82	0.81	0.85	1.12	1.29	1.42
		°COP	3.52	3.40	3.07	2.87	2.75	2.64	2.46	1.84	1.54	1.31
	71.6°F(22°C)	TH	11.58	8.91	8.20	7.62	7.39	6.73	6.59	6.66	6.39	6.01
		Input	0.81	0.80	0.79	0.78	0.82	0.84	0.85	0.84	0.93	1.02
		°COP	4.18	3.28	3.05	2.87	2.65	2.36	2.27	2.31	2.02	1.73
12SPV-D	59°F(15°C)	TH	16.36	12.48	11.99	11.51	10.47	9.53	8.67	9.54	8.68	7.90
		Input	1.24	1.02	1.10	1.11	1.10	1.09	1.08	1.09	1.20	1.32
		°COP	3.86	3.59	3.19	3.04	2.79	2.57	2.36	2.57	2.12	1.76
	64.4°F(18°C)	TH	15.91	12.24	11.87	11.40	10.26	9.33	8.49	9.34	8.50	7.74
		Input	1.28	1.04	1.12	1.13	1.12	1.11	1.10	1.11	1.22	1.32
		°COP	3.65	3.45	3.10	2.95	2.68	2.46	2.26	2.47	2.04	1.72
	69°F(20.5°C)	TH	15.60	12	11.76	10.82	10.28	9.76	9.57	9.38	9.00	8.46
		Input	1.33	1.06	1.14	1.13	1.12	1.11	1.16	1.12	1.29	1.42
		°COP	3.45	3.30	3.01	2.81	2.70	2.59	2.42	2.45	2.05	1.75
	71.6°F(22°C)	TH	15.44	11.88	10.93	10.16	9.86	8.97	8.79	8.88	8.53	8.01
		Input	1.10	1.08	1.07	1.06	1.11	1.13	1.16	1.15	1.26	1.39
		°COP	4.10	3.22	2.99	2.81	2.60	2.32	2.23	2.27	1.98	1.69
1824SPV-D	59°F(15°C)	TH	24.53	18.73	17.98	17.26	15.71	14.29	13.01	14.31	13.02	11.85
		Input	1.99	1.63	1.76	1.78	1.76	1.75	1.73	1.75	1.92	2.11
		°COP	3.61	3.36	2.99	2.84	2.61	2.40	2.21	2.40	1.99	1.64
	64.4°F(18°C)	TH	23.87	18.36	17.81	17.10	15.39	14.00	12.74	14.02	12.75	11.61
		Input	2.05	1.67	1.80	1.82	1.80	1.78	1.76	1.78	1.96	2.12
		°COP	3.41	3.23	2.90	2.76	2.51	2.30	2.12	2.31	1.91	1.61
	69°F(20.5°C)	TH	23.40	18.00	17.64	16.23	15.42	14.65	14.35	14.07	13.50	12.69
		Input	2.13	1.7	1.84	1.81	1.79	1.77	1.86	1.12	1.29	1.42
		°COP	3.23	3.10	2.82	2.63	2.52	2.42	2.26	3.68	3.07	2.63
	71.6°F(22°C)	TH	23.17	17.82	16.39	15.25	14.79	13.46	13.19	13.32	12.79	12.02
		Input	1.77	1.73	1.72	1.70	1.78	1.82	1.86	1.84	2.02	2.22
		°COP	3.84	3.01	2.80	2.63	2.43	2.17	2.08	2.12	1.85	1.58

Legend

DB - Dry Bulb

WB - Wet Bulb

TH - Total Net Heating °Capa°City

Input - Total Power (kW)

°COP - °Coe°F°Fi°Cient o°F Per°Forman°Ce

SPV-HP

Expanded Heating Ratings

Cooling Performance Data (Sizes 25 - 3036)

Model	Heating		Outdoor Conditions (DB)									
	Indoor Conditions DB		53.6°F (12°C)	44.6°F (7°C)	39.2°F (4°C)	32°F (0°C)	24.8°F (-4°C)	19.4°F (-7°C)	17°F (-8°C)	5°F (-15°C)	0°F (-17°C)	-4°F (-20°C)
25SPV-D	59°F(15°C)	TH	32.71	24.97	23.97	23.01	20.94	19.06	17.34	19.08	17.36	15.80
		Input	2.50	2.05	2.21	2.23	2.21	2.19	2.17	2.19	2.41	2.65
		°COP	3.84	3.58	3.18	3.02	2.78	2.55	2.35	2.56	2.11	1.75
	64.4°F(18°C)	TH	31.82	24.48	23.75	22.80	20.52	18.67	16.99	18.69	17.01	15.48
		Input	2.57	2.09	2.25	2.28	2.25	2.23	2.21	2.23	2.45	2.65
		°COP	3.63	3.44	3.09	2.93	2.67	2.45	2.25	2.45	2.03	1.71
	69°F(20.5°C)	TH	31.20	24	23.52	21.64	20.56	19.53	19.14	18.76	18.01	16.92
		Input	2.66	2.13	2.30	2.27	2.24	2.22	2.33	1.12	1.29	1.42
		°COP	3.43	3.30	3.00	2.80	2.69	2.58	2.41	4.91	4.10	3.50
	71.6°F(22°C)	TH	30.89	23.76	21.86	20.33	19.72	17.94	17.59	17.76	17.05	16.03
		Input	2.22	2.17	2.15	2.13	2.24	2.28	2.33	2.30	2.53	2.79
		°COP	4.09	3.21	2.98	2.80	2.58	2.31	2.22	2.26	1.97	1.69
3036SPV-D	59°F(15°C)	TH	40.89	31.21	29.96	28.76	26.18	23.82	21.68	23.84	21.70	19.75
		Input	3.33	2.73	2.95	2.98	2.95	2.92	2.89	2.92	3.21	3.53
		°COP	3.60	3.35	2.98	2.83	2.60	2.39	2.20	2.40	1.98	1.64
	64.4°F(18°C)	TH	39.78	30.60	29.68	28.49	25.65	23.34	21.24	23.36	21.26	19.34
		Input	3.42	2.78	3.01	3.04	3.01	2.98	2.95	2.98	3.27	3.53
		°COP	3.41	3.22	2.89	2.75	2.50	2.30	2.11	2.30	1.90	1.60
	69°F(20.5°C)	TH	39.00	30.00	29.40	27.05	25.70	24.41	23.92	23.44	22.51	21.16
		Input	3.55	2.84	3.07	3.02	2.99	2.96	3.11	1.12	1.29	1.42
		°COP	3.22	3.10	2.81	2.62	2.52	2.42	2.26	6.13	5.12	4.38
	71.6°F(22°C)	TH	38.61	29.70	27.32	25.41	24.65	22.43	21.98	22.20	21.31	20.03
		Input	2.95	2.90	2.87	2.84	2.98	3.04	3.10	3.07	3.38	3.72
		°COP	3.83	3.00	2.79	2.62	2.42	2.16	2.08	2.12	1.85	1.58

Legend

DB - Dry Bulb

WB - Wet Bulb

TH - Total Net Heating °Capa°City

Input - Total Power (kW)

°COP - °Coe°F°Fi°Cient o°F Per°Forman°Ce

SPV-HP

Sound Ratings

Indoor

Unit	Speed	Frequency (Hz)							
		125	250	500	1000	2000	4000	8000	10000
9SPV*-HP-D	High	28.92	41.39	41.80	48.71	45.32	39.92	29.80	25.52
	Medium	27.57	41.71	41.03	47.01	43.49	37.65	27.85	23.45
	Low	24.44	41.04	40.76	45.45	41.80	35.54	25.86	21.09
12SPV*-HP-D	High	26.19	45.01	44.74	48.26	46.34	39.79	29.28	24.65
	Medium	26.13	44.70	44.85	47.16	45.08	38.11	27.15	22.51
	Low	25.81	44.47	43.61	45.22	42.73	35.46	24.78	19.50
1824SPV*-HP-D	High	30.21	43.26	46.37	51.59	50.14	46.17	35.43	30.50
	Medium	30.21	42.91	46.04	50.51	48.93	43.14	34.04	29.17
	Low	30.29	42.20	45.72	49.66	46.92	40.87	31.74	27.13
25SPV*-HP-D	High	32.15	43.50	50.77	55.05	53.55	50.67	39.21	36.83
	Medium	31.64	43.23	50.11	54.21	52.59	49.80	38.14	35.79
	Low	31.69	43.04	49.88	53.72	52.24	49.19	37.33	35.19
3036SPV*-HP-D	High	39.80	46.30	50.07	52.65	49.64	45.27	37.87	34.83
	Medium	38.97	44.56	48.64	51.44	48.46	44.32	37.19	34.54
	Low	40.00	43.95	48.08	50.91	47.88	43.74	36.58	34.17
LpA (ST) avg [dB]									

Outdoor

Unit	Speed	Frequency (Hz)							
		125	250	500	1000	2000	4000	8000	10000
9SPV*-HP-D	High	29.26	43.00	43.06	50.23	46.80	41.15	30.69	26.22
	Medium	28.99	42.68	42.41	48.56	44.86	38.94	28.74	24.13
	Low	26.91	41.80	41.88	46.84	43.05	36.53	26.59	21.61
12SPV*-HP-D	High	27.06	46.35	46.18	49.81	47.78	41.06	30.20	25.46
	Medium	26.95	46.22	45.99	48.59	46.47	39.33	28.04	23.22
	Low	26.42	45.92	45.20	46.70	43.98	36.48	25.58	20.20
1824SPV*-HP-D	High	28.72	42.10	46.07	46.51	36.00	28.21	14.98	12.44
	Medium	28.55	42.36	46.02	45.99	35.97	28.03	15.21	13.55
	Low	28.99	42.42	46.42	45.31	36.02	27.77	15.51	13.81
25SPV*-HP-D	High	28.92	42.94	47.70	49.23	45.21	37.36	24.26	24.67
	Medium	28.97	43.00	47.66	49.03	45.04	37.16	23.72	24.83
	Low	28.54	42.93	47.58	48.79	45.06	37.11	23.90	23.04
3036SPV*-HP-D	High	39.90	44.45	49.34	49.19	46.27	40.43	26.62	26.11
	Medium	40.44	43.89	49.26	49.07	46.29	40.27	26.41	25.46
	Low	39.83	44.09	49.30	49.04	46.11	40.60	26.78	26.31
LpA (ST) avg [dB]									

Tested per AHRI Standard 260-2017, AHRI Standard 270-2015 and ANSI / AHRI Standard 220-2022

SPV-HP

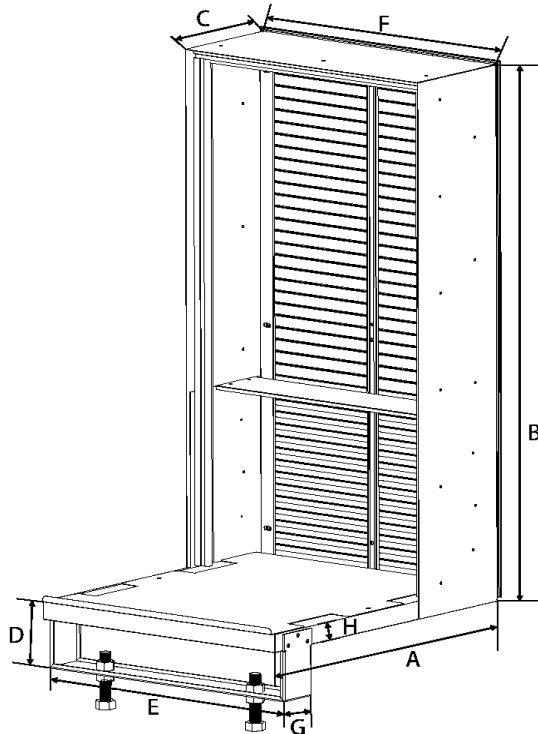
Wall Sleeves

Part Number	Wall thickness			A	B	C	D	E	F	G	H	Rough-In		Weight
	Fits	Min	Max									Height	Width	
WS1-58	9SPV	5"	8"	25.6	43.7	9.0	5.5	21.65	21.4	3.15	1.5	44.0	21.625	48
	12SPV	5"	8"	25.6	43.7	9.0	5.5	21.65	21.4	3.15	1.5	44.0	21.625	48
	1824SPV	5"	8"	25.6	43.7	9.0	5.5	21.65	21.4	3.15	1.5	44.0	21.625	48
WS2-58	25SPV	5"	8"	30.7	46.54	9.0	5.5	29.57	29.4	3.15	1.7	46.7	29.625	86
	3036SPV	5"	8"	30.7	46.54	9.0	5.5	29.57	29.4	3.15	1.7	46.7	29.625	86
WS1-812	9SPV	8"	12"	29.6	43.7	13.0	5.5	21.65	21.4	3.15	1.5	44.0	21.625	51
	12SPV	8"	12"	29.6	43.7	13.0	5.5	21.65	21.4	3.15	1.5	44.0	21.625	51
	1824SPV	8"	12"	29.6	43.7	13.0	5.5	21.65	21.4	3.15	1.5	44.0	21.625	51
WS2-812	25SPV	8"	12"	34.7	46.54	13.0	5.5	29.57	29.4	3.15	1.7	46.7	29.625	90
	3036SPV	8"	12"	34.7	46.54	13.0	5.5	29.57	29.4	3.15	1.7	46.7	29.625	90
WS1-1215	9SPV	12"	15"	32.6	43.7	16.0	5.5	21.65	21.4	3.15	1.5	44.0	21.625	54
	12SPV	12"	15"	32.6	43.7	16.0	5.5	21.65	21.4	3.15	1.5	44.0	21.625	54
	1824SPV	12"	15"	32.6	43.7	16.0	5.5	21.65	21.4	3.15	1.5	44.0	21.625	54
WS2-1215	25SPV	12"	15"	34.7	46.54	16.0	5.5	29.57	29.4	3.15	1.7	46.7	29.625	93
	3036SPV	12"	15"	37.7	46.54	16.0	5.5	29.57	29.4	3.15	1.7	46.7	29.625	93
WS1-1520	9SPV	15"	20"	37.6	43.7	21.0	5.5	21.65	21.4	3.15	1.5	44.0	21.625	58
	12SPV	15"	20"	37.6	43.7	21.0	5.5	21.65	21.4	3.15	1.5	44.0	21.625	58
	1824SPV	15"	20"	37.6	43.7	21.0	5.5	21.65	21.4	3.15	1.5	44.0	21.625	58
WS2-1520	25SPV	15"	20"	42.7	46.54	21.0	5.5	29.57	29.4	3.15	1.7	46.7	29.625	98
	3036SPV	15"	20"	42.7	46.54	21.0	5.5	29.57	29.4	3.15	1.7	46.7	29.625	98

Wall sleeves can be used in either side or rear install application.

Standard WS wall sleeve features

- Heavy duty leveling legs with locking nuts
- Powder coated paint finish
- Foil face rubber insulation lining
- Pre-drilled holes on sides, for mounting to inside frame opening



The WS wall sleeve has a built in condensate drain pan. A 3/4" female pipe thread connection is provided in the bottom of the wall sleeve for field connection to a condensate riser. If the primary condensate drain becomes clogged, and the condensate drain overflows, water will flow toward the front of the sleeve to the exterior of the building.

SPV-HP

Architectural Outdoor Grilles



	Fits	Height	Width	Finish
OG-1A	9SPV - 1824SPV	44"	22"	Brushed Aluminum
OG-1P	9SPV - 1824SPV	44"	22"	Paint Ready Aluminum
OG-2A	25SPV - 3036SPV	51.5"	30"	Brushed Aluminum
OG-2P	25SPV - 3036SPV	51.5"	30"	Paint Ready Aluminum

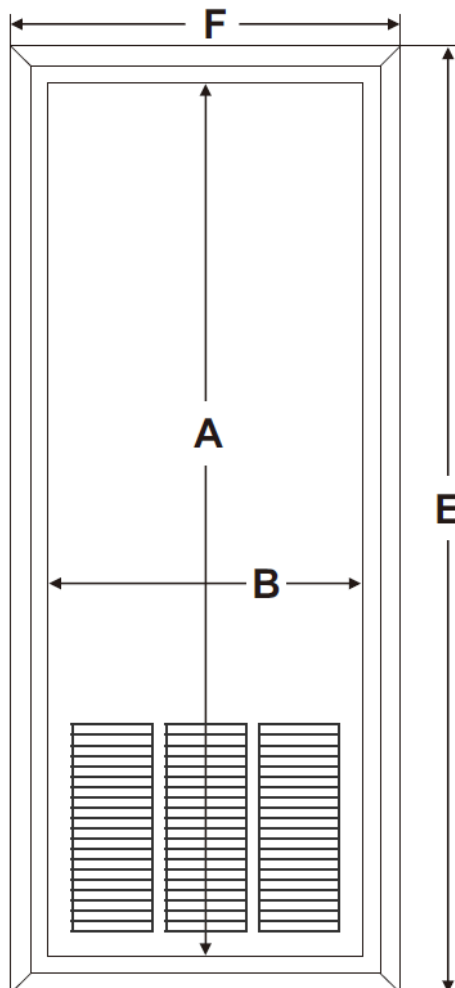
OG Architectural Outdoor Grilles attach to the exterior of the Wall Sleeve, from the inside of the building, with the factory provided bolts.

The louver design allows condenser air to enter the lower portion of the grille and exit the upper portion of the grille.

Outdoor Grilles are available in either a brushed aluminum finish or a paint ready finish.

SPV-HP

Access Panels



A - Inside Frame Height **B** - Inside Frame Width
E - Outside Frame Height **F** - Outside Frame Width

Standard Features

Design

- Interior Panel Braces
- Integrated Clips in Panel Frame
- Single Piece Wrapped Frame with 90° Squared Corner Seams
- Captive Screw Retainers

Materials

- Heavy Gauge Galvanized Steel Construction with Off-White Powder Paint Finish
- Stainless Steel Screws with Protective Washers

Packaging

- Individually Wrapped and Individually Packaged with Heavy-Duty Cartons
- Interior Glossy Label with Panel Model Number and Barcode

	Style	Filter Size (not included)	Fits Sizes	A	B	E	F
931-11-LA	Louvered	18 x 24 x 1	9 - 1824	84	28	87	31
931-11-S	Solid	N/A	9 - 1824	84	28	87	31
931-13-LA	Louvered	18 x 24 x 1	9 - 1824	79	28	82	31
931-13-S	Solid	N/A	9 - 1824	79	28	82	31
931-14-LA	Louvered	20 x 24 x 1	25 - 3036	84	36	87	39
931-14-S	Solid	N/A	25 - 3036	84	36	87	39

Dimensions shown are in inches

The wall access panels are mounted to an interior wall and provide service access to the equipment closet and provide return air filtration (-LA panels only).

Digital Wired Wall Controller



Features

- 3-Speed Fan Control
- 7-Day Programmable
- Dehumidification Mode
- Modern Touchscreen Design

	Fits	Height	Width	Depth
WWC-3	9SPV - 3036SPV	3.4"	3.4"	0.7"

The SPV-HP units have a factory standard control board, for use with a standard 24V thermostat or a wired wall controller. The WWC-3 wired wall controller is connected directly to the board, with a single plug, connected to a communication cable.

Digital 24V Programmable Thermostats

MMT4522-001

Features

- Remote indoor sensor input (all thermostats)
- Programmable or Non-Programmable
- 3 Levels of Keypad Lockout with PIN Access
- 2 Heat / 1 Cool Programmed for SPV-HP Units



Model	Fits	Height	Width	Depth
MMT4522-001	9SPV - 3036SPV	4.30"	5.70"	1.30"

The SPV-HP units have a factory standard control board, for use with the MMT thermostats or wired wall controllers.

T375EM

Features

- Programmable Fan Operation
- 2 Heat / 1 Cool Heat Pump
- Short Cycle and Minimum On Time Configuration
- Emergency Electric Heat Switch



Model	Fits	Height	Width	Depth
T375EM	9SPV - 3036SPV	3.9"	4.7"	1.1"

Notes:

The MMT4522-001 and 2030 thermostats connect to the board with standard thermostat wire.

All MMT4522-001 and 2030 thermostats are factory configured as Non-Programmable, but can easily be modified in the field to a Programmable thermostat.

The thermostats wire from G (auto) on the board to the G terminal on the thermostat. The blower motor speed is controlled through the main control board.

Digital 24V Wireless Thermostats

Non-Programmable



Features

- Large LED Display with Blue Backlight
- Heating and Cooling Set Point Limits
- Separate Heating and Cooling Swing Cycle Rate Adjustment
- Battery or 24V Power

	Fits	Height	Width	Depth
MMW-1	9SPV - 3036SPV	3.9"	4.7"	1.1"

The MMW-1 includes a thermostat, thermostat sub base and a wireless receiver. The wireless receiver connects to the 24V Board in the SPV-HP unit and will mount inside of the unit cabinet.

Please refer to the MMW-1 Installation, Operation and Maintenance Instructions for additional information.

Adjustable Fresh Air for Balance Ventilation

All SPV-HP-F-D Models

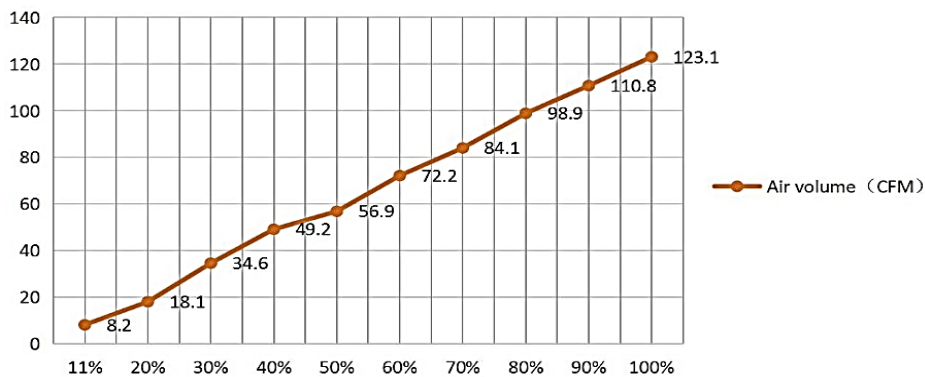


Controller Setting	CFM
11%	8
20%	18
30%	35
40%	49
50%	57
60%	72
70%	84
80%	99
90%	111
100%	123



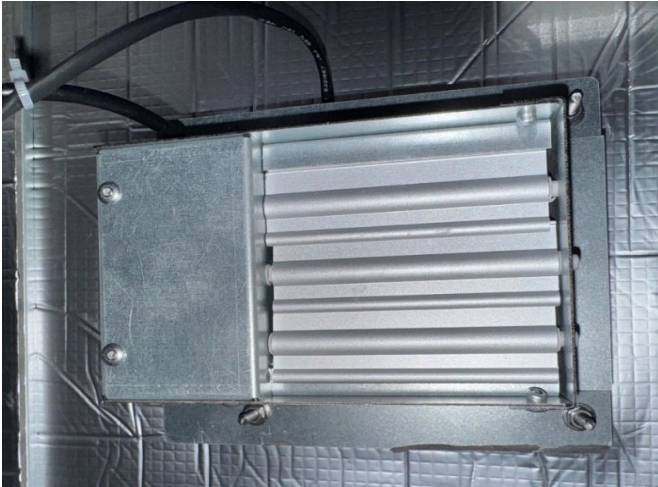
Features

- On / Off Fresh Air Fan Switch
- Dial for 0 - 100% Fan Speed Control
- Large Liquid Crystal Display
- Lock Set Function
- Outside Air Range from 8 - 123 CFM

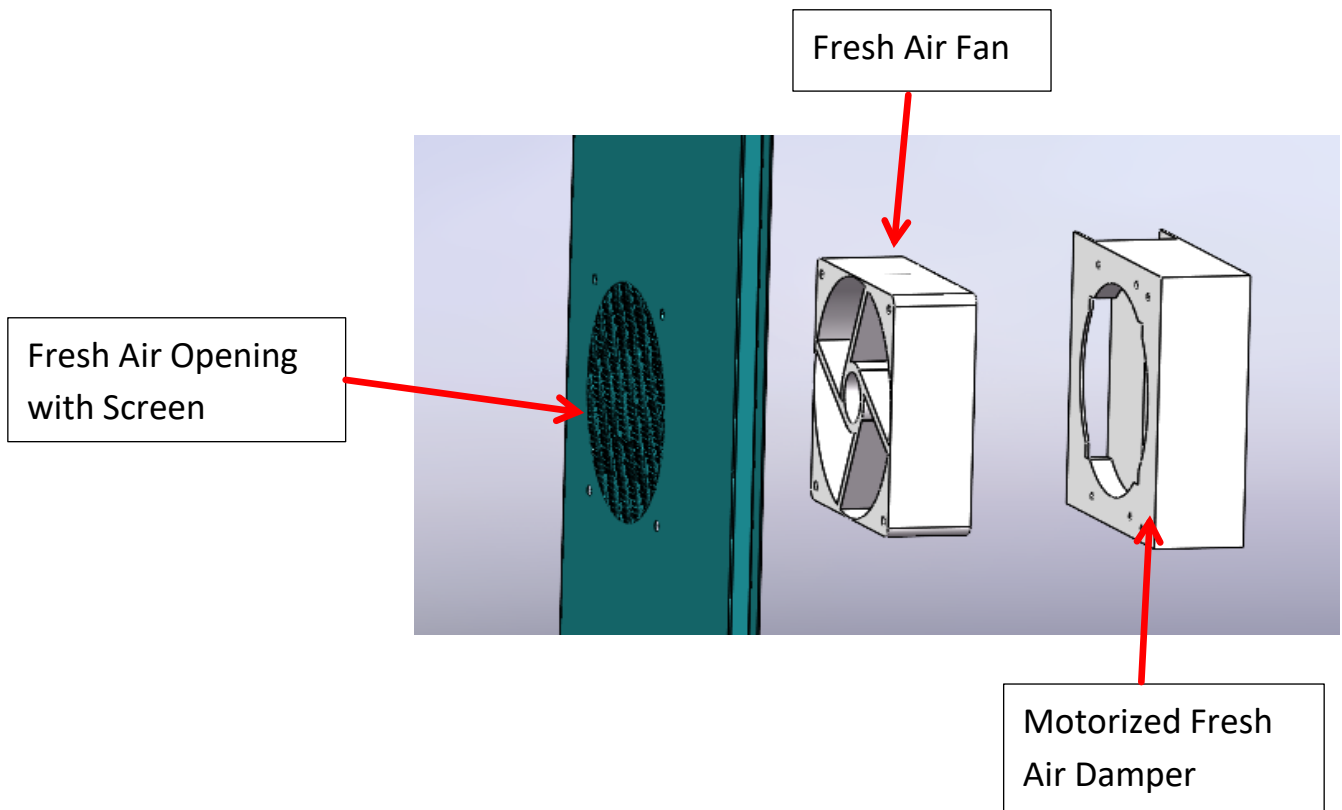


Motorized Fresh Air Damper

25CH001



The 25CH001 Motorized Air Damper is available as a factory installed option on all SPV-HP-D units, with the "-F" Fresh Air option. This motorized damper will open when the fresh air fan is in operation, and will close when the fresh air fan is not operating.







**33380 Zeiders Road, Suite 101
Menifee, CA 92584**

**Phone 888-741-9775
Fax 760-480-8904**

www.multimfg-usa.com